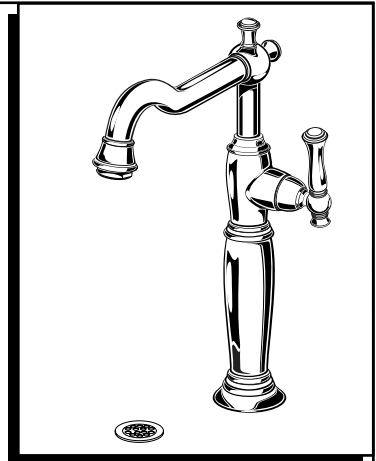


Installation Instructions

QUENTIN™ VESSEL LAVATORY FITTING

7440.151
7440.152



Certified to comply with ANSI A112.18.1
M965228 REV. 1.5 (2/15)

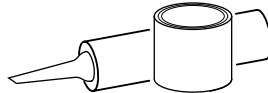
Thank you for selecting American Standard...the benchmark of fine quality for over 100 years.

To ensure that your installation proceeds smoothly—please read these instructions carefully before you begin.

Recommended Tools



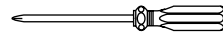
Adjustable Wrench



Plumbers' Putty or Caulking



Flat Head Screwdriver



Phillips Screwdriver



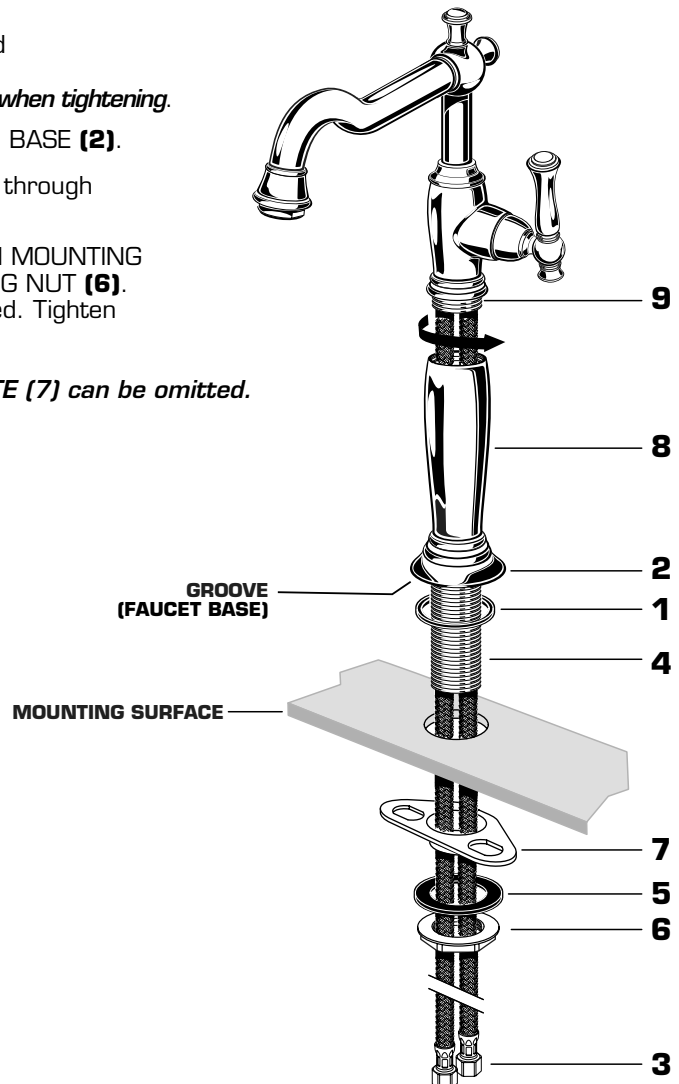
Channel Locks

1 INSTALL LAVATORY FAUCET

CAUTION Turn off hot and cold water supplies before beginning.

- Slide EXTENSION (8) over FAUCET SUPPLIES (3). Thread EXTENSION (8) onto FAUCET BODY (9) and fully tighten.
CAUTION: Do not damage finish on faucet EXTENSION (8) when tightening.
- Seat SEAL (1) into groove in under side of ESCUTCHEON BASE (2).
- Feed FAUCET SUPPLIES (3) and MOUNTING SHANK (4) through hole in mounting surface.
- From below, install SUPPORT PLATE (7) GASKET (5) and MOUNTING NUT (6) onto SHANK (4). Secure Faucet with MOUNTING NUT (6). Before final tightening, adjust Faucet so that it is centered. Tighten MOUNTING NUT (7) to complete mounting.

NOTE: For thick deck installations, the SUPPORT PLATE (7) can be omitted.

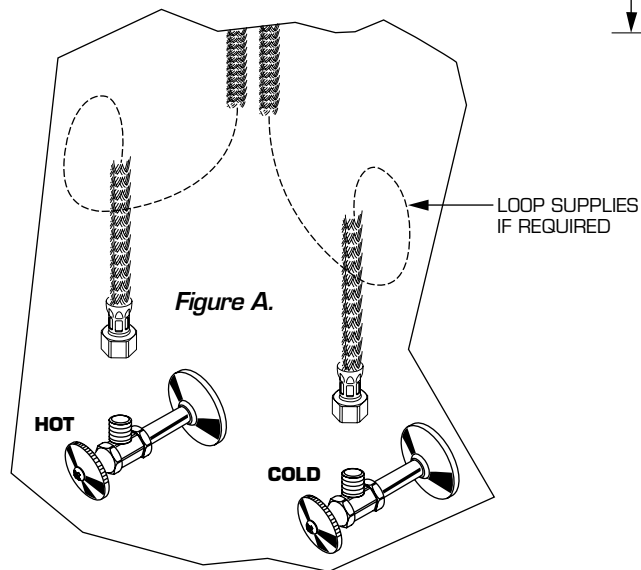
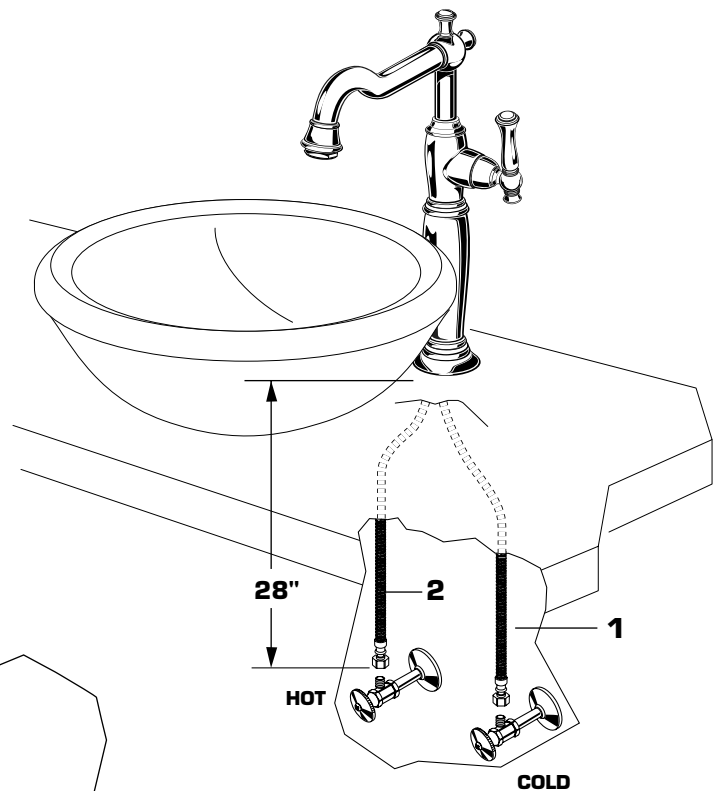


2 MAKE WATER SUPPLY CONNECTIONS

- Turn off hot and cold water supplies before beginning.
- Connect FLEXIBLE SUPPLIES (1, 2) directly to wall supplies. Connection on fitting supplies are 3/8" compression. Connect left supply to Hot and right supply to the Cold wall supply. Use adjustable wrench to tighten connections. Do not over tighten.
- Faucet supplies are 28" long from faucet base.

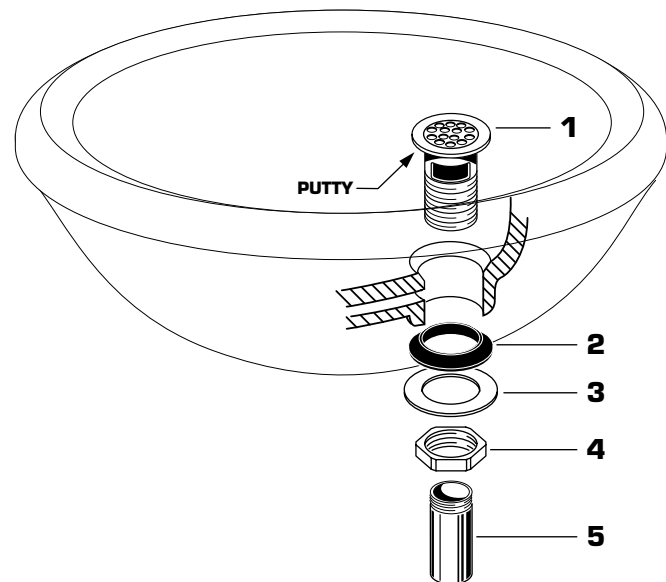
Note: If additional supply length is required, installer must purchase additional parts separately.

Important: If SUPPLY HOSES (1, 2) are too long, loop as illustrated to avoid kinking. Figure A.



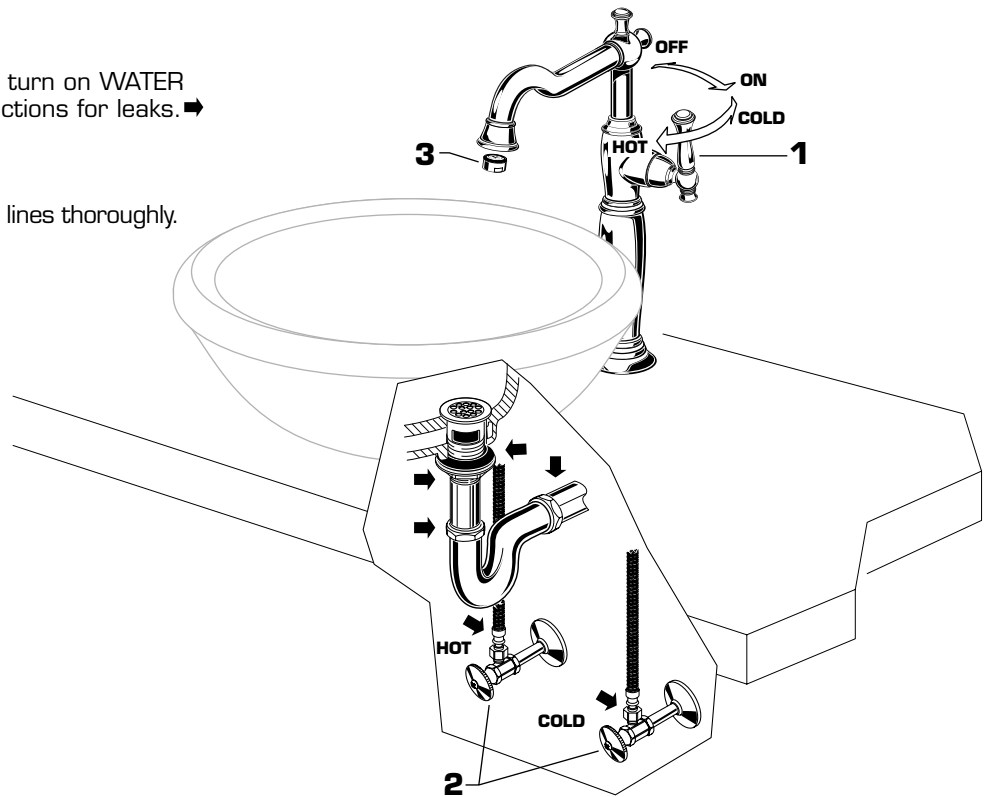
3 DRAIN INSTALLATION

- Apply a bead of PUTTY to underside of DRAIN BODY FLANGE (1).
- Feed DRAIN BODY (1) down through lavatory.
- Assembly GASKET (2) WASHER (3) and LOCKNUT (4) onto DRAIN BODY (1). Tighten LOCKNUT (4) firmly.
- Assembly TAILPIECE (5) to DRAIN BODY (1).



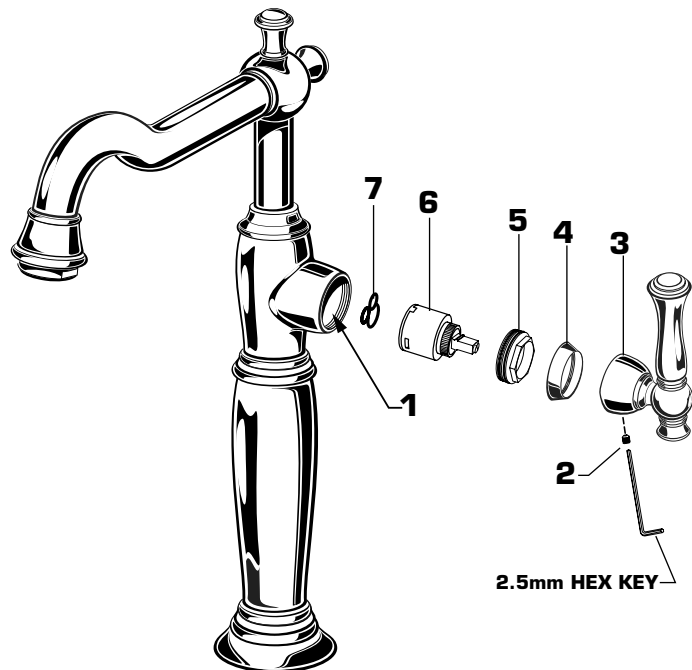
4 TEST INSTALLED FAUCET AND CHECK FOR LEAKS

- With HANDLE (1) in OFF position, turn on WATER SUPPLIES (2) and check all connections for leaks. ➔
- Remove AERATOR (3).
- Operate HANDLE (1) to flush water lines thoroughly.
- Replace AERATOR (3).



5 SERVICE CAUTION Turn off hot and cold water supplies before beginning.

- To remove or replace cartridge: Fig. A.
 - Turn valve to OFF position.
 - Remove HANDLE SCREW (2).
 - Pull off HANDLE (3) and CAP (4).
 - Unthread CARTRIDGE NUT (5) and remove.
 - Pull out CARTRIDGE (6).
 - Inspect CARTRIDGE (6) and O-RING (7) for debris and clean if necessary.
 - Clean MANIFOLD (1) and rinse clean.
 - Reinstall CARTRIDGE (6) and O-RING (7) onto MANIFOLD (1).
 - Reinstall CARTRIDGE NUT (5), CAP (4) and HANDLE ASSEMBLY (3).
- If spout drips, operate handle several times from OFF to ON and HOT to COLD position. Do not force - handles turn only 90°.



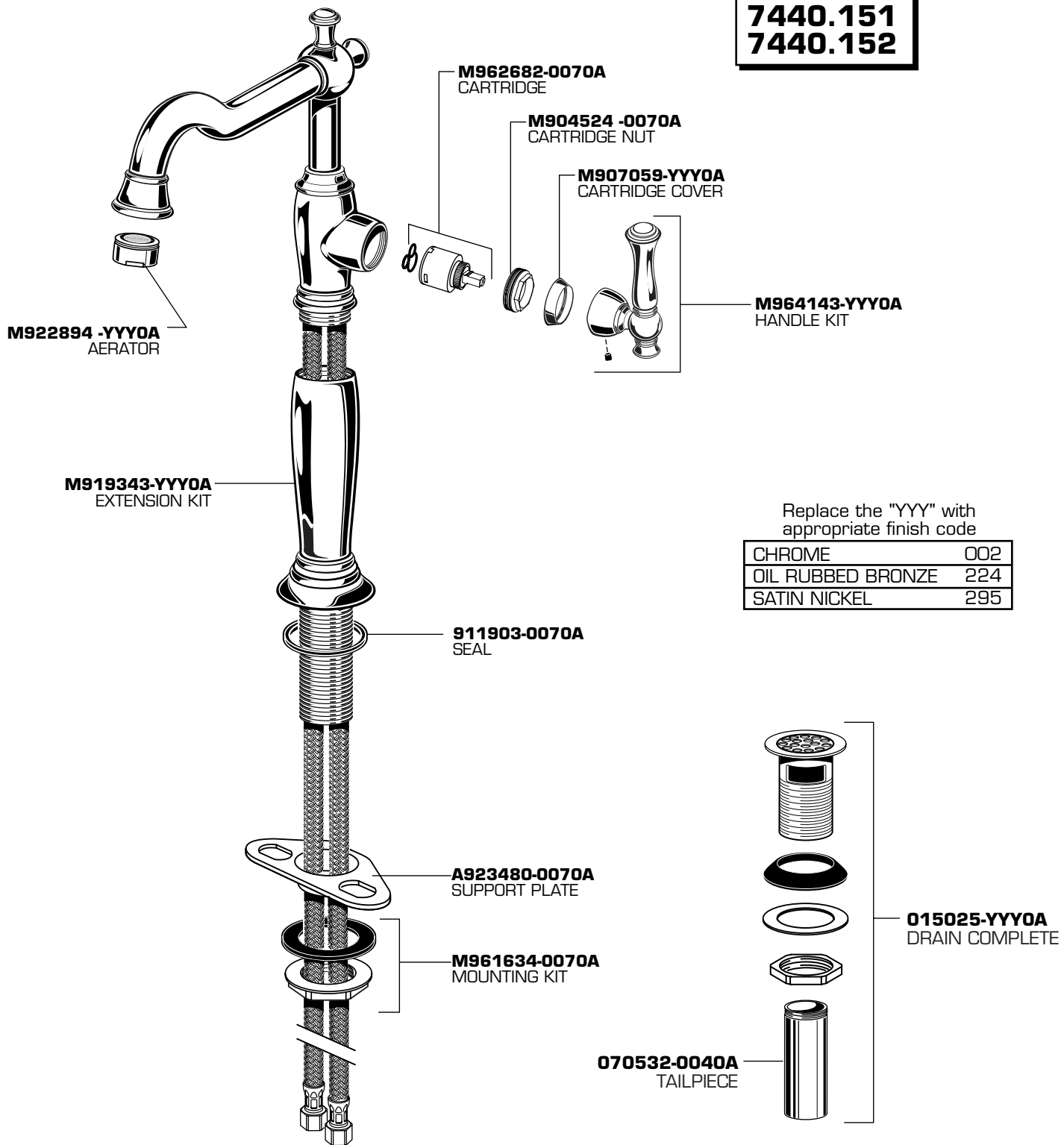
6 CARE INSTRUCTIONS:

DO: SIMPLY RINSE THE PRODUCT CLEAN WITH CLEAR WATER. DRY WITH A SOFT COTTON FLANNEL CLOTH.
DO NOT: DO NOT CLEAN THE PRODUCT WITH SOAPS, ACID, POLISH, ABRASIVES, HARSH CLEANERS, OR A CLOTH WITH A COARSE SURFACE.

QUENTIN™
VESSEL LAVATORY FITTING

MODEL NUMBER

7440.151
7440.152



Replace the "YYY" with appropriate finish code

CHROME	002
OIL RUBBED BRONZE	224
SATIN NICKEL	295



HOT LINE FOR HELP
For toll-free information and answers to your questions, call:
1 (800) 442-1902
Weekdays 8:00 a.m. to 6:00 p.m. EST
IN MEXICO 01-800-839-1200
IN CANADA 1-800-387-0369 (TORONTO 1-905-306-1093)
Weekdays 8:00 a.m. to 7:00 p.m. EST