



# prestige

## User's Information Manual



### **⚠ WARNING**

To maintain the safety & longevity of your appliance read and follow the maintenance schedule information throughout this manual.

### **⚠ WARNING**

If the information in this manual is not followed exactly, a fire or explosion may result causing property damage, personal injury or loss of life.

### **FOR YOUR SAFETY**

- Do not store or use gasoline or other flammable vapors and liquids in the vicinity of this or any other appliance.
- **WHAT TO DO IF YOU SMELL GAS**
  - Do not try to light any appliance
  - Do not touch any electrical switch; do not use any phone in your building.
  - Immediately call your gas supplier from a neighbor's phone. Follow the gas supplier's instructions.
  - If you cannot reach your gas supplier, call the fire department.

Installation and service must be performed by a qualified installer, service agency or the gas supplier.

---

## Table of Contents

---

### Product & Safety Information

---

Homeowner .....	1
Technician .....	2
Service and Maintenance .....	2
PRESTIGE Operation .....	2
Boiler & System Water .....	2

### Section I - Combustion Air - Prevention of Contamination

---

1.1 Potential Contaminating Products .....	4
--	---

### Section II - Maintenance Schedule

---

2.1 Service Technician .....	5
2.1.1 General .....	5
2.1.2 Poor Performance or Combustion .....	5
2.2 Owner Maintenance .....	5
2.2.1 Periodic .....	5
2.2.2 Monthly .....	5
2.2.3 Every 6 Months .....	5

### Section III - Maintenance Procedures

---

3.1 Daily Maintenance .....	6
3.1.1 Check the Surrounding Area .....	6
3.1.2 Check Combustion Air Inlets .....	6
3.1.3 Check Temperature Display and Pressure Gauge .....	6
3.2 Monthly Maintenance .....	7
3.2.1 Check Vent Piping .....	7
3.2.2 Check Combustion Air Inlet Piping .....	7
3.2.3 Check Pressure Relief Valve .....	7
3.2.4 Check Condensate Drain System .....	7
3.2.5 Check Automatic Air Vents (If Used) .....	7
3.3 6-Month Maintenance .....	8
3.3.1 Check Water and Gas Piping .....	8
3.3.2 Operate Pressure Relief Valve .....	8

### Section IV - Operating Instructions

---

Operating Instructions .....	9
------------------------------	---

### Section V - ACVMax Operation

---

5.1 ACVMax Navigation .....	10
5.2 ACVMax Menu Structure .....	11
5.3 Home Screen .....	12
5.4 Status Line Messages .....	13
5.4 Main Menu .....	14
5.5 CH/DHW Operation Menu .....	15
5.6 Boiler Information .....	16
5.7 Information Items .....	17
5.8 Lockout History .....	18

---

## Table of Contents

---

5.9	Lockout Screen .....	19
5.10	Manual Reset Hard Lockouts .....	20
5.11	Automatic Reset Soft Lockouts .....	21

### Section VI - Replacement Parts

---

Solo 80/110 Jacket Components .....	23
Solo 155/175/250 Jacket Components .....	24
Solo 299/399 Jacket Components.....	25
Solo 80/110 Internal Components .....	27
Solo 155/175/250 Internal Components .....	28
Solo 299/399 Internal Components .....	29
Solo 80/110 & Excellence Burner Components.....	31
Solo 155/175/250 Burner Components .....	32
Solo 299/399 Burner Components .....	33
Control Module Enclosure.....	34
Display Module Enclosure .....	34

### Section VII - Notes

---

Notes .....	35
-------------	----

## Product & Safety Information

### PRODUCT & SAFETY INFORMATION

The following terms are used throughout this manual to bring attention to the presence of potential hazards or to important information concerning the product.

#### **WARNING**

Indicates a potentially hazardous situation, which if ignored, can result in death, serious injury or substantial property damage.

#### **CAUTION**

Indicates a potentially hazardous situation which, if ignored, may result in minor injury or property damage.

#### **NOTICE**

Indicates special instructions on installation, operation or maintenance, which are important to equipment but not related to personal injury hazards.

### Homeowner

#### **WARNING**

The **PRESTIGE** installation manual is for use only by a qualified heating installer / service technician. Refer to this User's Information Manual for your reference. Failure to comply could result in severe personal injury, death or substantial property damage.

#### **WARNING**

A byproduct of any gas fired appliance (stove, fireplace, clothes dryer, water heater, furnace, boiler, etc.) is carbon monoxide. In the absence of any state or local codes requiring the installation of carbon monoxide detector and alarms, ACV-Triangle Tube recommends the following:

- Installation of a carbon monoxide detector and alarm that is wired on same electrical circuit as the boiler.
- Installation of a carbon monoxide detector and alarm on each level of the building where there are bedrooms and in the living area outside the bedrooms.
- Installation of a carbon monoxide detector and alarm in the room that houses the appliance.
- Installation of a carbon monoxide detector and alarm with battery back up.
- Installation of a carbon monoxide detector and alarm that complies with NFPA 720.

#### **WARNING**

ACV-Triangle Tube accepts no liability for any damage, injury or loss of life resulting from incorrect installation, from alteration of any factory supplied parts or from the use of parts or fittings not specified by ACV-Triangle Tube. If there is a conflict or doubt about the proper installation/operation of the unit or any factory supplied or replacement parts please contact a qualified heating installer/service technician.

## Product & Safety Information

### Technician

#### **NOTICE**

**When calling or writing about the PRESTIGE, please have the boiler model and serial number available.**

#### **STOP! READ BEFORE SERVICING**

#### **WARNING**

**Failure to adhere to the guidelines on this page can result in severe personal injury, death or substantial property damage.**

### Service and Maintenance

- To avoid electric shock, disconnect electrical supply before performing service or maintenance.
- Allow the unit to cool down prior to servicing to avoid severe burns.
- The PRESTIGE must be maintained as outlined in this manual and have at least annual service performed by a qualified service technician to ensure unit / system reliability.

### PRESTIGE Operation

- Do not block flow of combustion air to the PRESTIGE. If the combustion air blockage is easily accessible and removable, then remove it. If blockage is not obvious or cannot be removed, have the unit and system checked by a qualified service technician.
- Do not allow contaminated air to enter the unit's combustion air inlet. See page 4 for details.
- The PRESTIGE is equipped with a low water cutoff device. The boiler and system piping must be filled and pressurized to 12 psig prior to startup. The unit will shut down if the pressure falls below 10 psig.
- Should overheating occur or the gas supply fail to shut off, DO NOT turn OFF or disconnect the electrical supply to the pump. Instead, shut off the gas supply at a location external to the appliance.
- Do not use this unit if any part has been under water. Immediately call a qualified service technician to inspect the boiler and to replace any part of the control system and any gas control, which has been under water.

### Boiler & System Water

- Have the boiler and system water chemistry checked at least annually by a qualified service technician.
- Do not use petroleum-based cleaning or sealing compounds in the boiler or system. Gaskets and seals in the system may be damaged. This can result in substantial property damage.
- Do not use any product not specifically designed for boiler / hydronic heating systems. Serious damage to the unit, piping system, personnel and / or property may result.
- Continual fresh makeup water will reduce the life of the PRESTIGE. Addition of oxygen can cause internal corrosion in the system components. All leaks in the piping system must be repaired at once to prevent makeup water.
- Do not add cold water to a hot unit. Thermal shock can cause premature failure to the boiler heat exchanger.

---

## Product & Safety Information

---

(Page left intentionally blank)

## 1.0 Combustion Air - Prevention of Contamination

### SECTION I - COMBUSTION AIR - PREVENTION OF CONTAMINATION



#### WARNING

If the PRESTIGE combustion air inlet is located in any area likely to cause or contain contamination, or if products, which would contaminate the air cannot be removed, the combustion air must be re-piped and terminated to another location. Contaminated combustion air will damage the unit and its burner system, resulting in possible severe personal injury, death or substantial property damage.



#### WARNING

Do not operate a PRESTIGE unit if its combustion air inlet or the unit is located in or near a laundry room or pool facility. These areas will always contain hazardous contaminants.

Pool and laundry products and common household and hobby products often contain fluorine or chlorine compounds. When these chemicals pass through the burner and vent system, they can form strong acids. These acids can create corrosion of the heat exchanger, burner components and vent system, causing serious damage and presenting a possible threat of flue gas spillage or water leakage into the surrounding area.

Please read the following information. If contaminating chemicals will be present near the location of the combustion air inlet, the installer should pipe the combustion air inlet to another location per the PRESTIGE installation manual.

### 1.1 Potential Contaminating Products

- Spray cans containing chloro/fluorocarbons
- Permanent Wave Solutions
- Chlorinated wax
  
- Chlorine - based swimming pool chemicals and spa cleaners
- Calcium Chloride used for thawing ice
- Sodium Chloride used for water softening
- Refrigerant leaks
- Paint or varnish removers
- Hydrochloric acid / muriatic acid
- Cements and glues
- Antistatic fabric softeners used in clothes dryers
- Chlorine-type bleaches, detergents, and cleaning solvents found in household laundry rooms
- Adhesives used to fasten building products and other similar products

#### Areas likely to find these products

- Dry cleaning / laundry areas and establishments
- Beauty salons
- Metal fabrication shops
- Swimming pools and health spas
- Refrigeration Repair shops
- Photo processing plants
- Auto body shops
- Plastic manufacturing plants
- Furniture refinishing areas and establishments
- New building construction
- Remodeling areas
- Garages with workshops

## 2.0 Maintenance Schedule

### SECTION II - MAINTENANCE SCHEDULE

#### 2.1 Service Technician

At least on an annual basis the following maintenance should be performed by a qualified service technician:

##### 2.1.1 General

- Attend to any reported problems.
- Inspect the interior of the boiler jacket area; clean and vacuum if necessary.
- Clean the condensate trap and fill with fresh water.
- Check boiler fluid pH on systems.
- Check for leaks: water, gas, flue and condensate; check connections and piping inside and outside of the casing.
- Verify flue vent piping/gaskets and air inlet piping are in good condition, sealed tight and properly supported.
- Check internal flue pathways for condition and proper sealing: condensate pan, vent pipe, and vent adapter.
- Check boiler water pressure, piping and expansion tank.
- Check control settings.
- Check ignition electrode (sand off any white oxide; clean and reposition).
- Check ignition wiring and ground wiring.
- Check all control wiring and connections.
- Check burner flame pattern (stable and uniform).

##### 2.1.2 Poor Performance or Combustion

- Clean heat exchanger and flue ways.
- Remove burner assembly and clean burner head using compressed air only.

Once the maintenance items are completed, review the service with the owner.

#### 2.2 Owner Maintenance

##### 2.2.1 Periodic

- Check the area around the unit.
- Check and remove any blockage from the combustion air inlet and ventilation openings.
- Check the temperature/pressure gauge.

##### 2.2.2 Monthly

- Check vent piping.
- Check combustion air inlet piping.
- Check the pressure relief valve.
- Check the condensate drain system.

##### 2.2.3 Every 6 Months

- Check boiler piping and gas supply piping for corrosion or potential signs of leakage.
- Operate the pressure relief valve.



**Follow the maintenance procedures given throughout this manual. Failure to perform the service and maintenance or follow the directions in this manual could result in damage to the PRESTIGE or in system components, resulting in severe personal injury, death or substantial property damage.**



## 3.0 Maintenance Procedures

### SECTION III - MAINTENANCE PROCEDURES

#### WARNING

The PRESTIGE must be inspected and serviced annually, preferably at the start of the heating season, by a qualified service technician. In addition, the maintenance and care of the boiler as outlined on page 5 and further explained on pages 5 through 8 must be performed to assure maximum efficiency and reliability of the unit. Failure to service and maintain the PRESTIGE and the system components could result in equipment failure, causing possible severe personal injury, death or substantial property damage.

#### NOTICE

The following information provides detailed instruction for completing the maintenance items outlined in the maintenance schedule on page 5. In addition to this maintenance, the PRESTIGE should be serviced at the beginning of the heating season by a qualified service technician.

### 3.1 Daily Maintenance

#### 3.1.1 Check the Surrounding Area

#### WARNING

To prevent potential of severe personal injury, death or substantial property damage, eliminate all the materials listed on page 4 from the area surrounding the unit and from the vicinity of the combustion air inlet. If contaminants are found:

Remove products immediately from the area. If they have been there for an extended period, call a qualified service technician to inspect the unit for possible damage from acid corrosion.

If products cannot be removed, immediately call a qualified service technician to re-pipe the combustion air inlet piping and locate the combustion air intake away from the contaminated areas.

1. Combustible / flammable materials - Do not store combustible materials, gasoline or other flammable vapors or liquids near the unit. Remove immediately if found.
2. Air contaminants - Products containing chlorine or fluorine, if allowed to contaminate the combustion air, will cause acidic condensate within the unit. This will cause significant damage to the unit. Read the list of potential materials listed on page 4 of this manual. If any of these products are in the room from which the unit takes its combustion air, they must be removed immediately or the combustion air intake must be relocated to another area.

#### 3.1.2 Check Combustion Air Inlets

1. Verify that ventilation air openings to the mechanical room are open and unobstructed.
2. Verify that the unit's vent termination and combustion air intake are clean and free of obstructions. Remove any debris on the air intake or flue exhaust openings. If removing the debris does not allow the unit to operate correctly, contact your qualified service technician to inspect the unit and the vent / combustion air system.

#### 3.1.3 Check Temperature Display and Pressure Gauge

1. Ensure the pressure reading on the pressure gauge does not exceed 25 psig. Higher pressure readings may indicate a problem with the expansion tank.
2. Ensure the temperature on the display panel does not exceed 194°F. Higher temperature readings may indicate a problem with the operating thermostat controls.
3. Contact a qualified service technician if problem persists.

## 3.0 Maintenance Procedures

### 3.2 Monthly Maintenance

#### 3.2.1 Check Vent Piping

1. Visually inspect the entire length of flue gas vent piping including all joints and appliance adapter for any signs of blockage, leakage or deterioration of gaskets. Notify a qualified service technician immediately if any problems are found.

#### **WARNING**

**Failure to inspect the venting system as noted and have it repaired by a qualified service technician can result in the vent system failure, causing severe personal injury or death.**

#### 3.2.2 Check Combustion Air Inlet Piping

1. Visually inspect the combustion air inlet piping for any signs of blockage. Inspect the entire length of the combustion air inlet piping to ensure piping is intact and all joints are properly sealed.
2. Notify a qualified service technician if any problems are found.

#### 3.2.3 Check Pressure Relief Valve

1. Visually inspect the primary pressure relief valve and the relief valve discharge pipe for signs of weeping or leakage.
2. If the pressure relief valve often weeps, the expansion tank may not be operating properly. Immediately contact a qualified service technician to inspect the unit and system.

#### 3.2.4 Check Condensate Drain System

1. Ensure condensate drain assembly is firmly secured to bottom of heat exchanger/unit. See Fig.1.

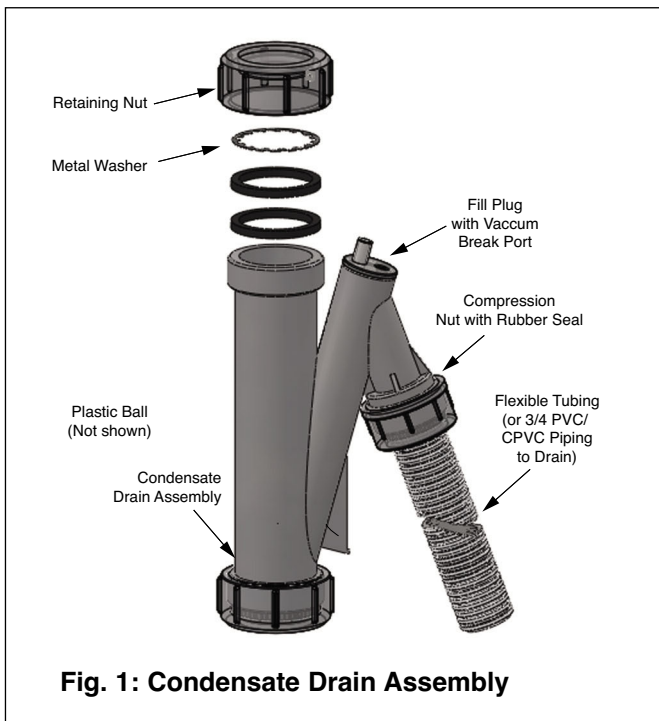
#### **WARNING**

**Do not operate PRESTIGE without condensate drain assembly firmly installed on unit and filled with water. If the trap is not installed and full of water flue gases can be emitted into the surrounding area causing severe personal injury or death.**

2. While the unit is running, check the discharge end of the condensate drain tubing. Ensure no

flue gas is leaking from the condensate drain tubing by holding your fingers near the opening.

3. If you notice flue gas leaking this indicates a dry condensate drain assembly. Fill the condensate drain assembly with water. Contact a qualified service technician to inspect the unit and condensate line and refill the condensate drain assembly if problem persists regularly.
4. Ensure the condensate drain line is not blocked by pouring water through the fill plug port on the condensate drain assembly. The water should flow out of the end of the drain line. If water does not appear at the end of the drain line, contact a qualified service technician to inspect and clean the condensate line.
5. To fill the condensate drain assembly, if necessary, remove the fill plug from the condensate assembly. Slowly pour water into the trap assembly until water appears at the end of the drain line. Stop filling and replace plug.



**Fig. 1: Condensate Drain Assembly**

#### 3.2.5 Check Automatic Air Vents (If Used)

1. Remove the cap "A" from any automatic air vent in the system and check operation by depressing valve "B" slightly with the tip of a screwdriver. See Fig. 2 on page 8.
2. If the air vent valve appears to be working freely and not leaking, replace cap "A", screwing it on fully.

## 3.0 Maintenance Procedures

3. Have the air vent replaced by a qualified service technician if it does not operate correctly.

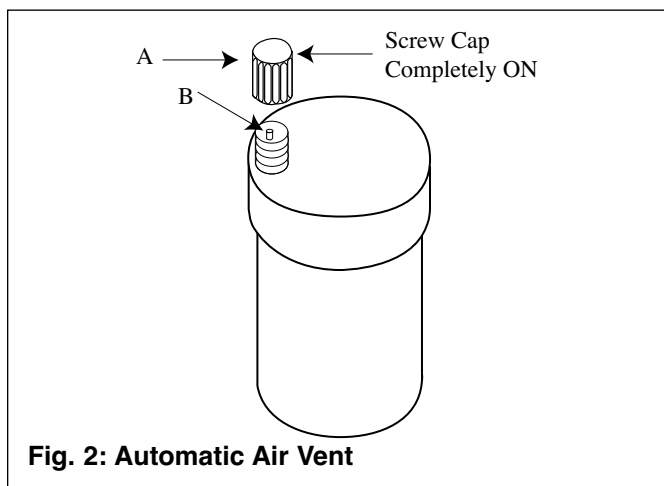


Fig. 2: Automatic Air Vent

## 3.3 6-Month Maintenance

### 3.3.1 Check Water and Gas Piping

1. Remove the boiler front jacket panel and perform a gas leak inspection per steps 1 through 6 of the Operating Instructions on page 9. If gas odor or leak is detected, immediately shut down the unit following procedures on page 9. Call a qualified service technician.
2. Visually inspect for leaks around the internal boiler water connections and around the heat exchanger. Visually inspect the external system piping, circulators, and system components and fittings. Immediately call a qualified service technician to repair any leaks.



**WARNING**

**Have leaks fixed at once by a qualified service technician. Failure to comply could result in severe personal injury, death or substantial property damage.**

### 3.3.2 Operate Pressure Relief Valve

1. Before proceeding, verify that the relief valve outlet has been piped to a safe place of discharge, avoiding any possibility of scalding from hot water.



**WARNING**

**To avoid water damage or scalding due to valve operation, a discharge line must be connected to the relief valve outlet and directed to a safe place of disposal. This discharge line must be installed by a qualified service technician or heating / plumbing installer in accordance with the PRESTIGE installation manual. The discharge line must be terminated so as to eliminate possibility of severe burns or property damage should the valve discharge.**

2. Read the temperature display and pressure gauge to ensure the system is pressurized. Lift the relief valve top lever slightly, allowing water to relieve through the valve and discharge piping.
3. If water flows freely, release the lever and allow the valve to seat. Watch the end of the relief valve discharge pipe to ensure that the valve does not weep after the line has had time to drain. If the valve weeps, lift the lever again to attempt to clean the valve seat. If the valve does not properly seat and continues to weep afterwards, contact a qualified service technician to inspect the valve and system.
4. If the water does not flow from the valve when you lift the lever completely, the valve or discharge line may be blocked. Immediately shut the unit down per the instructions on page 8. Call a qualified service technician to inspect the valve and system.

## 4.0 Operating Instructions

### SECTION IV - OPERATING INSTRUCTIONS

#### FOR YOUR SAFETY READ BEFORE LIGHTING





#### WARNING


If you do not follow these instructions exactly, a fire or explosion may result causing property damage, personal injury or loss of life.

- A. This appliance does not have a pilot. It is equipped with an ignition device which automatically lights the burner. **DO NOT** try to light the burner by hand.
- B. BEFORE OPERATING, smell all around the appliance area for gas. Be sure to smell next to the floor because some gas is heavier than air and will settle on the floor.
- WHAT TO DO IF YOU SMELL GAS**
- Do not try to light any appliance.
  - Do not touch any electric switch; do not use any phone in your building
  - Immediately call your gas supplier from a neighbor's phone. Follow the gas supplier's instructions.
- C. If you cannot reach your gas supplier, call the fire department.
- C. Use only your hand to turn the external manual gas valve. Never use tools. If the valve will not turn by hand, don't try to repair it; call a qualified service technician. Force or attempted repair may result in a fire or explosion.
- D. Do not use this appliance if any part has been under water. Immediately call a qualified service technician to inspect the appliance and to replace any part of the control system and any gas control which has been under water.

#### OPERATING INSTRUCTIONS

1. **STOP!** Read the safety information above. This appliance is equipped with an ignition device which automatically lights the burner. **DO NOT** try to light the burner by hand.
2. Set room thermostat(s) to lowest setting. Turn the external manual gas valve handle clockwise  "CLOSE" (valve handle shall be perpendicular to gas piping).
3. Turn the service switch on the PRESTIGE control panel OFF.
4. Remove the front jacket panel on the unit.
5. Turn the external manual gas valve handle counter clockwise  to "OPEN" gas supply (valve handle shall be parallel to gas piping).
6. Wait five (5) minutes to clear out any gas. If you then smell gas in the jacket enclosure or around the unit, **STOP!** Follow "B" in the safety information above. If you don't smell gas, go to the next step.
7. Turn the service switch on the PRESTIGE control panel "ON".
8. Set room thermostat(s) to desired setting(s).
9. The PRESTIGE control panel display will show the current operating status on the Status Line at the bottom of the screen. "Standby" means there is no call for heat (all thermostats are satisfied). "CH Demand" indicates a space heating call has been received. "DHW Demand" indicates a domestic hot water call has been received. A flame icon will be displayed when the unit is fired.
10. If the unit will not operate with a call for heat and the system piping is not hot, follow the instructions "To Turn Off Gas to Appliance", below and call your service technician or gas supplier.
11. Replace the front jacket panel. Make sure the panel is seated firmly in place and all mounting screws are tightened.

#### TO TURN OFF GAS TO APPLIANCE

1. Set the room thermostat to lowest setting.
2. Turn the service switch on the PRESTIGE control panel to "OFF"
3. Turn the external manual gas valve handle clockwise  to "CLOSE".

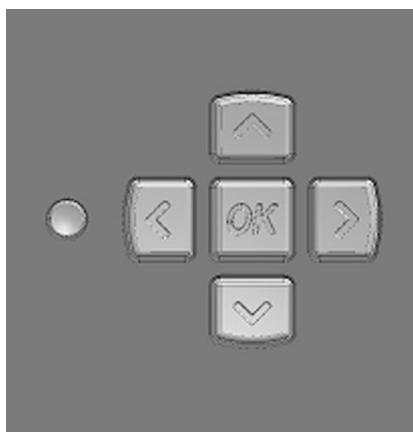
## 5.0 ACVMax Operation

### SECTION V - ACVMAX OPERATION



#### 5.1 ACVMax Navigation

The ACVMax Boiler Management System is designed to be flexible yet easy to use. ACVMax monitors and controls the Prestige to provide heat as efficiently as possible. All ACVMax features are easy to use through a graphical display where information is presented either graphically or in plain English, so code charts are not required.

Navigation is performed through four arrow buttons **UP**, **DOWN**, **LEFT**, **RIGHT** with a center **OK** button for making selections and entering information. The **INSTALLER** button (the small round button) provides the installing contractor with full access to all available features after entering a password.

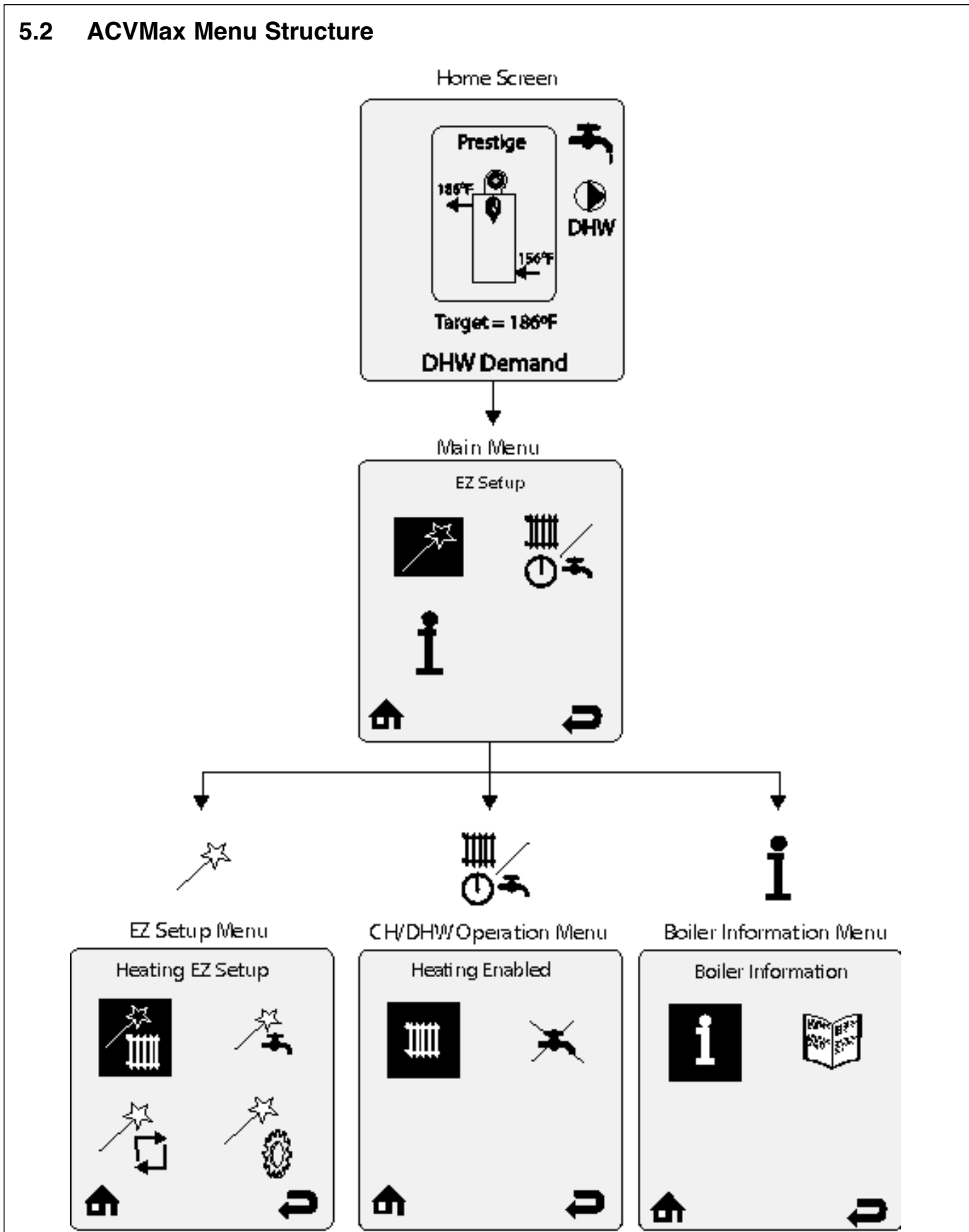


**Figure 2 – ACVMax Navigation Buttons**

The Main Menu can be entered from the Home Screen by pressing the **OK** button. The menu system utilizes icons to represent each selection. The current selected menu is displayed as a reversed image with a text description shown at the top of the display. Menus can be entered by highlighting the desired icon and pressing the **OK** button. The Home Screen  icon at the bottom of each screen returns to the Home Screen when selected. The Previous Screen  icon at the bottom of each screen returns to the previous screen when selected.

## 5.0 ACVMax Operation

### 5.2 ACVMax Menu Structure

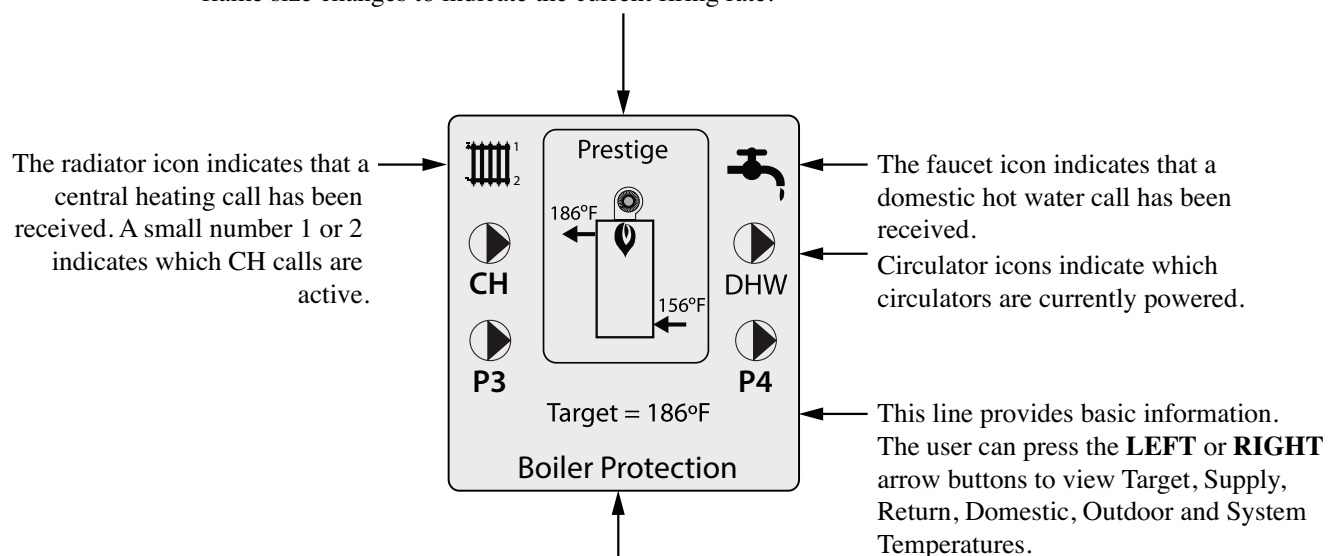


## 5.0 ACVMax Operation

### 5.3 Home Screen

The Home Screen presents status information in a very user friendly way so that the current state of the boiler can be quickly accessed.

The Prestige is represented in the center of the Home Screen. Basic operating information such as supply and return temperatures are displayed as well as current burner status. A flame symbol is displayed when the unit is fired. The flame size changes to indicate the current firing rate.



The status line displays the current operating state of the Prestige. See page 13 for a list of all Status Line Messages.

The screen backlight will illuminate when any button is pressed and remain illuminated for five minutes. Press the **UP** or **DOWN** buttons to turn on the backlight while at the Home Screen without making any changes.

The screen contrast can be adjusted at the Home Screen by pressing and holding the **OK** button then pressing and holding the **LEFT** arrow along with the **OK** button. The contrast can then be increased by pressing the **UP** button or decreased by pressing the **DOWN** button while holding in the **OK** button and **LEFT** arrow. All buttons must be released and the procedure performed again to switch between increasing and decreasing contrast.

## 5.0 ACVMax Operation

### 5.4 Status Line Messages

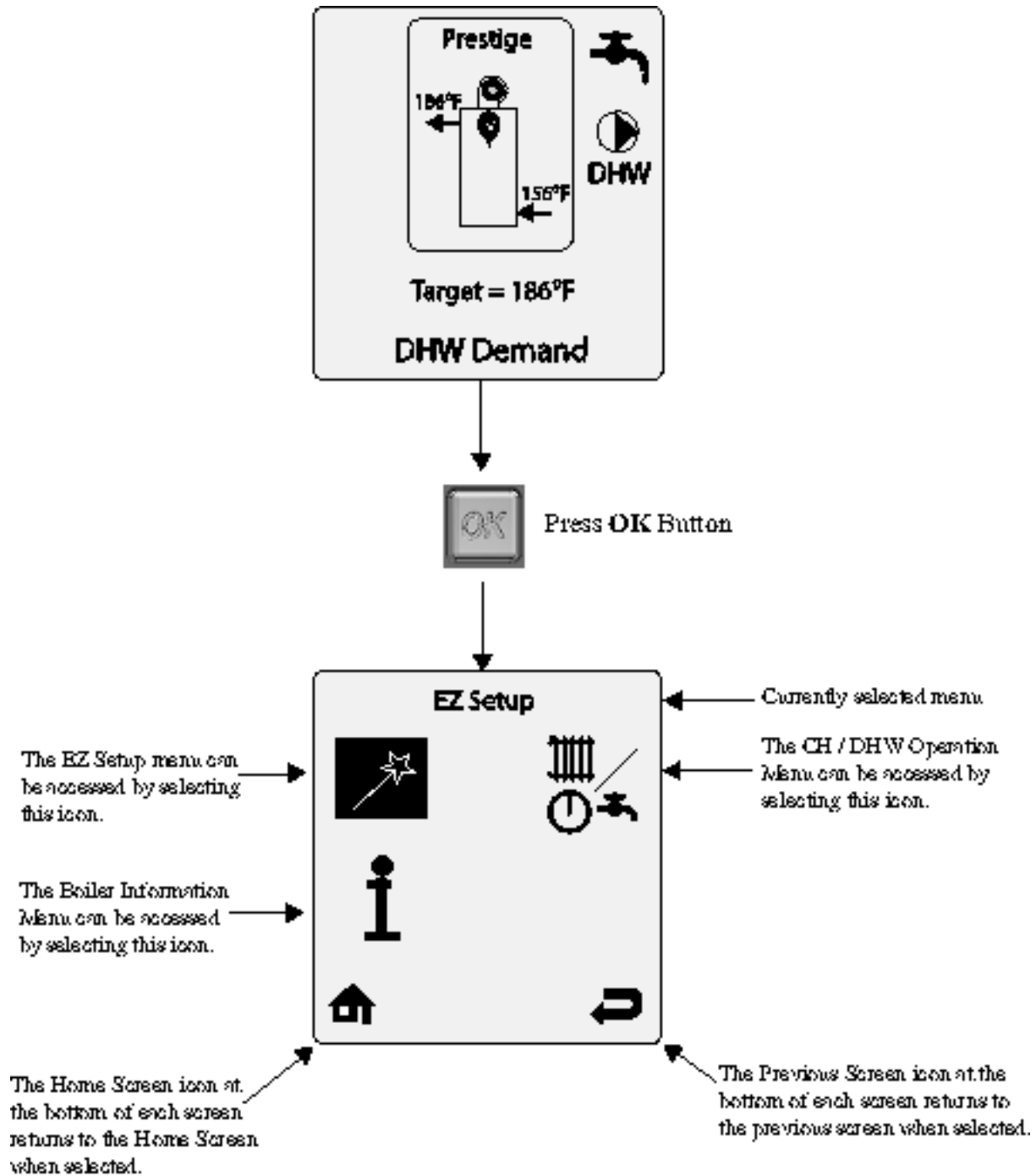
Status Line Message	Description
<b>Standby</b>	Indicates that the Prestige is ready to respond when a demand is received.
<b>CH Demand</b>	A central heating call has been received.
<b>DHW Demand</b>	A domestic hot water call has been received.
<b>CH / DHW Demand</b>	Central heating and domestic hot water calls are being received simultaneously. Both calls are being satisfied simultaneously because domestic hot water priority has been disabled.
<b>DHW Priority</b>	Central heating and domestic hot water calls are being received simultaneously. Domestic hot water call is being satisfied first because it has priority over central heating calls.
<b>Priority Timeout</b>	Central heating and domestic hot water calls are being received simultaneously. The domestic hot water priority time limit has been exceeded. Priority will now switch back and forth between central heating and domestic hot water calls until one call is satisfied.
<b>External Demand</b>	An external modulation call has been received.
<b>Slave Operation</b>	The Prestige is a slave in a cascade system.
<b>Manual Operation</b>	The burner or circulators have manually been enabled in the Installer Menu.
<b>CH Burner Delay</b>	The burner will not fire until the call blocking time has elapsed.
<b>DHW Burner Delay</b>	The burner will not fire until the call blocking time has elapsed.
<b>CH Setpoint Reached</b>	The burner is not fired because the supply/system water temperature exceeds the setpoint. The central heating circulator continues to operate and the burner will fire again once the supply/system water temperature drops below the setpoint.
<b>DHW Setpoint Reached</b>	The burner is not fired because the supply/system water temperature exceeds the setpoint. The domestic circulator continues to operate and the burner will fire again once the supply/system water temperature drops below the setpoint.
<b>CH Post Pump</b>	The central heating circulator is running to remove heat from the Prestige at the completion of a call.
<b>DHW Post Pump</b>	The domestic hot water circulator is running to remove heat from the Prestige at the completion of a call.
<b>Freeze Protection</b>	The burner is fired because the freeze protection feature has been activated. Freeze protection will end once the supply/system water temperature is raised to 60°F [16°C].
<b>Boiler Protection</b>	The burner firing rate is being reduced because of an excessive difference between the boiler supply and return temperatures. The firing rate will begin increasing once the temperature difference is less than 45°F [25°C].
<b>Lockout Description</b>	The lockout which currently has the Prestige shut down is displayed.



## 5.0 ACVMax Operation

### 5.4 Main Menu

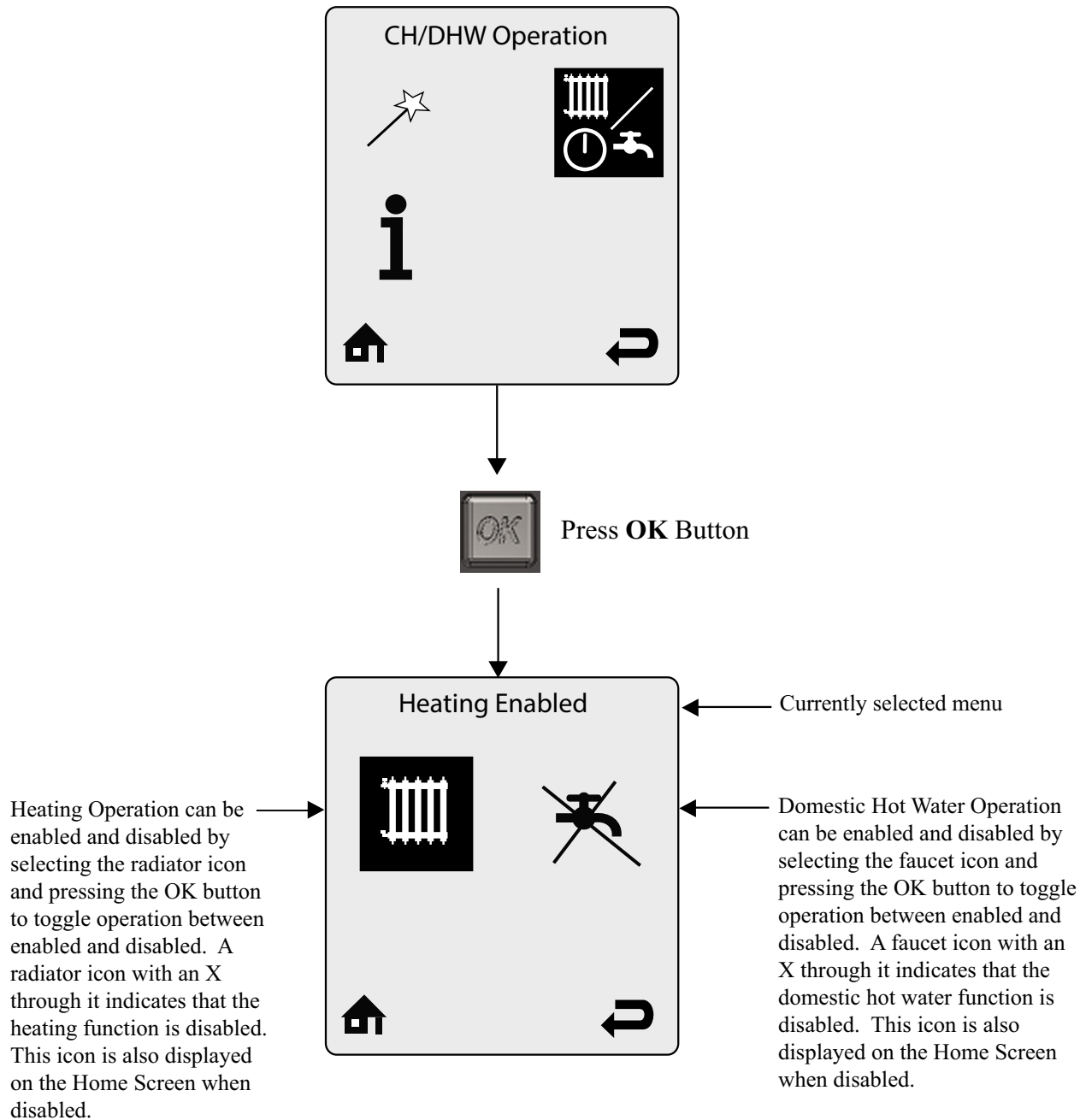
The Main Menu can be entered from the Home Screen by pressing the **OK** button. The menu system utilizes icons to represent each selection. The currently selected menu is displayed as a reversed image with a text description shown at the top of the display. Menus can be entered by highlighting the desired icon and pressing the **OK** button.



## 5.0 ACVMax Operation

### 5.5 CH/DHW Operation Menu

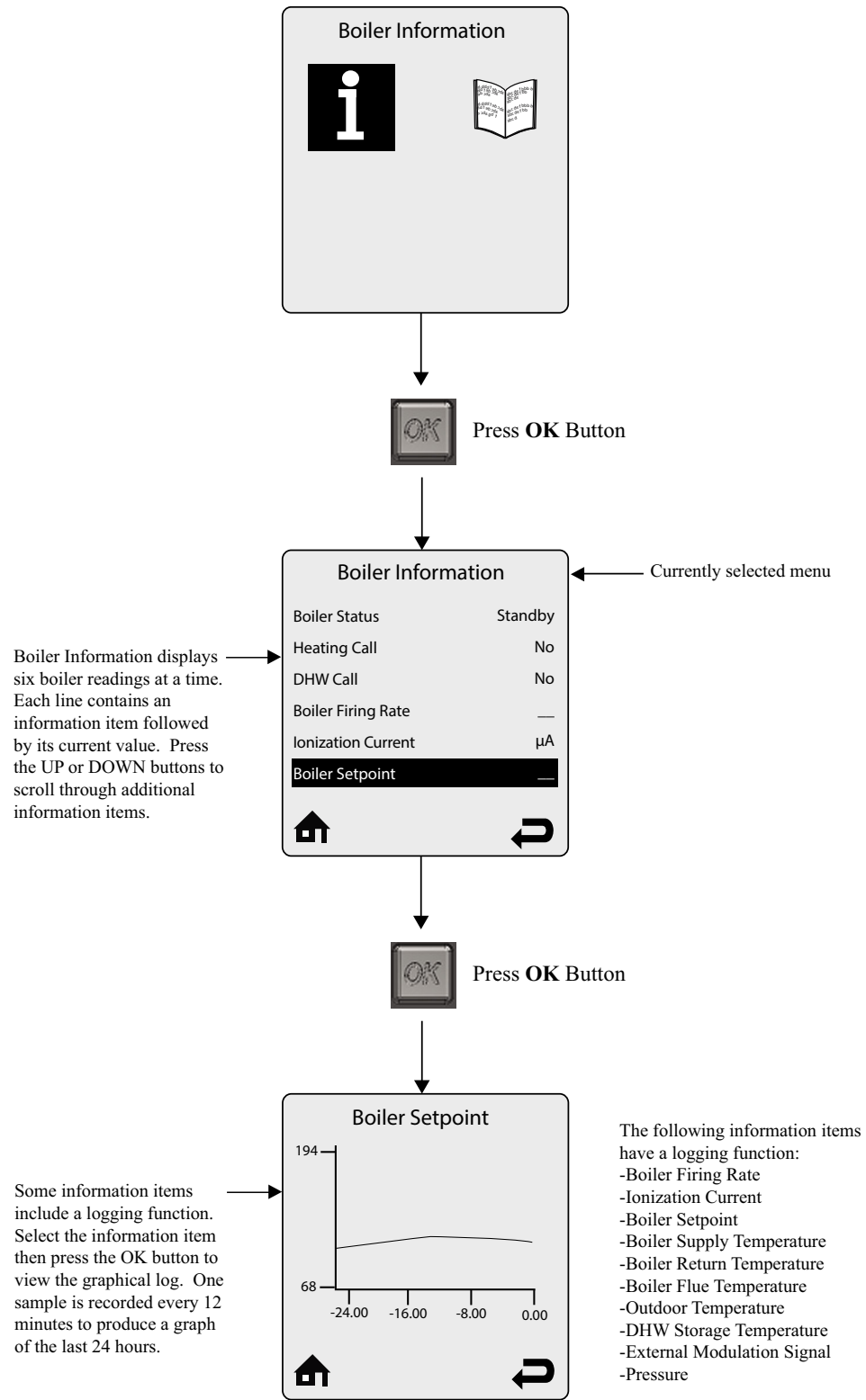
The CH / DHW Operation Menu can be entered from the Main Menu by selecting the CH / DHW Operation icon and pressing the **OK** button. The CH / DHW Operation Menu provides a simple way to disable either the central heating or domestic hot water functions of the Prestige.



## 5.0 ACVMax Operation

### 5.6 Boiler Information

Boiler Information can be viewed by selecting the Boiler Information icon and pressing the **OK** button. Boiler Information provides real time operating information of the Prestige.



## 5.0 ACVMax Operation

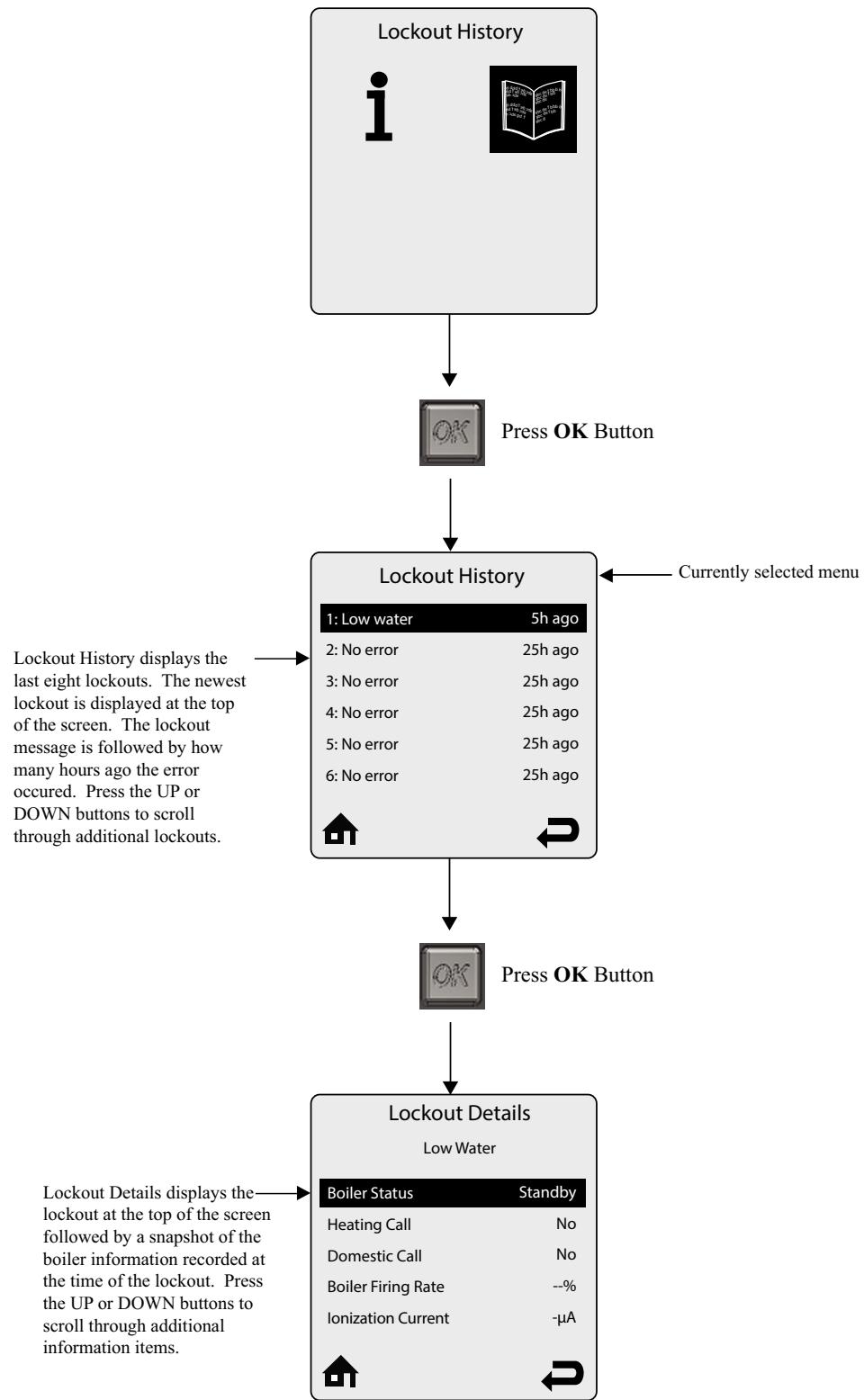
### 5.7 Information Items

<b>Information Item</b>	<b>Description</b>
<b>Boiler Status</b>	Displays the current operating state of the Prestige. This is the same as the status line on the home screen.
<b>Heating Call</b>	Displays if a central heating call is present.
<b>DHW Call</b>	Displays if a domestic hot water call is present.
<b>Boiler Firing Rate</b>	Displays the current firing rate of the Prestige.
<b>Ionization Current</b>	Displays the current flame ionization current from the ignitor.
<b>Boiler Setpoint</b>	Displays the current setpoint of the Prestige.
<b>Supply Temp.</b>	Displays the current supply temperature of the Prestige.
<b>Return Temp.</b>	Displays the current return temperature to the Prestige.
<b>Boiler Flue Temp.</b>	Displays the current flue temperature of the Prestige.
<b>Outdoor Temp.</b>	Displays the current outdoor temperature.
<b>DHW Storage Temp.</b>	Displays the current DHW storage temperature when Indirect Water Heater Sensor PSRKIT22 is installed.
<b>External Modulation Signal</b>	Displays the current external modulation signal being received from an external controller.
<b>Pressure</b>	Displays the current system pressure.
<b>CH Ignitions</b>	Displays the number of central heating ignitions since the unit was installed. This counter increases in increments of twenty.
<b>CH Runtime</b>	Displays the number of hours the Prestige has run for a central heating call since the unit was installed.
<b>DHW Ignitions</b>	Displays the number of domestic hot water ignitions since the unit was installed. This counter increases in increments of twenty.
<b>DHW Runtime</b>	Displays the number of hours the Prestige has run for a domestic hot water call since the unit was installed.
<b>Mix Zone Temperature</b>	Displays the temperature of the low temperature mixed circuit.

## 5.0 ACVMax Operation

### 5.8 Lockout History

Lockout History can be viewed by selecting the Lockout History icon and pressing the **OK** button. The Lockout History Screen lists the last eight lockouts along with how long ago they occurred.

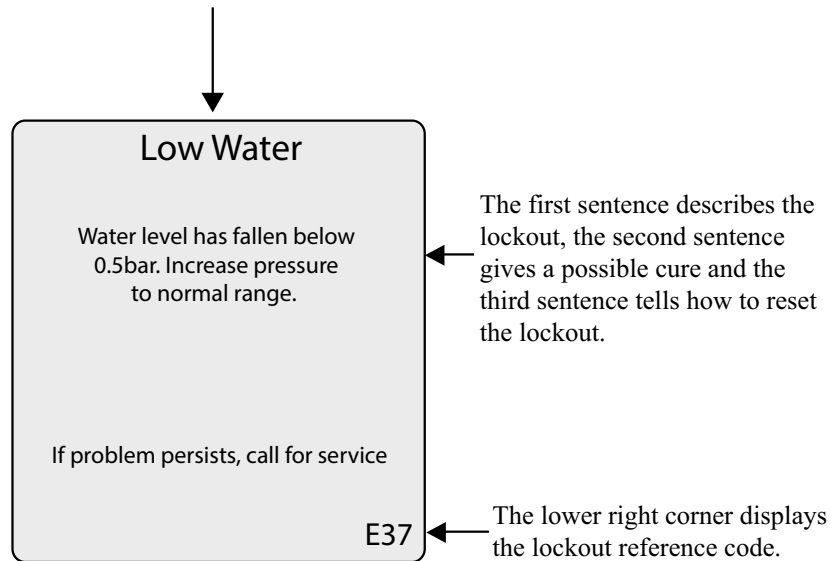


## 5.0 ACVMax Operation

### 5.9 Lockout Screen

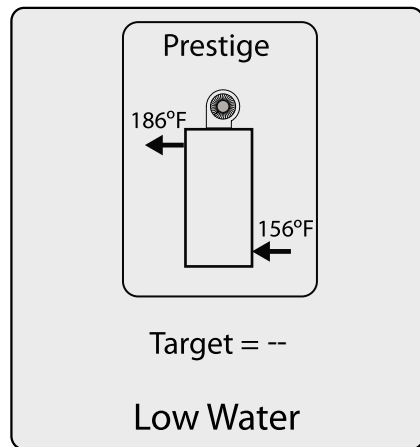
The Lockout Screen replaces the Home Screen if a lockout occurs. The screen backlight will also illuminate constantly while the Prestige is locked out. Pressing any arrow button will return to the Home Screen so that additional troubleshooting can be performed. See pages 20 and 21 for a list of lockouts and descriptions.

The lockout message is displayed at the top of the screen



Press any **ARROW** Button

Press any **ARROW** button to return to the Home Screen while locked out. The main menu can then be entered from the Home Screen to help diagnose the problem. Select the Home Screen icon at the bottom of any menu screen to return to the Lockout Screen.



The status line now displays the lockout

## 5.0 ACVMax Operation

### 5.10 Manual Reset Hard Lockouts

Code	Lockout Message	Description
E1	Failed Ignition	The burner failed to light after 5 ignition attempts.
E2	False Flame	A flame is being detected prior to ignition.
E3	High Boiler Temperature	Boiler temperature has reached 210°F [99°C]
E5	Blower Speed	Blower is not at correct speed or speed signal is not being received by control module.
E8	Flame Circuit Error	Flame circuit test failed.
E9	Gas Valve Circuit Error	Gas valve circuit test failed.
E13	Reset Limit Reached	Resets are limited to 5 every 15 minutes.
E15	Sensor Drift	Supply or return sensor reading has drifted.
E16	Supply Sensor Stuck	Supply sensor reading is not changing.
E17	Return Sensor Stuck	Return sensor reading is not changing.
E18	Sensor Failure	Supply or return sensor reading changed very rapidly.
E21	Internal Control Fault	A / D conversion error.
E30	Supply Sensor Shorted	A short circuit has been detected in the boiler supply temperature sensor circuit.
E31	Supply Sensor Open	An open circuit has been detected in the boiler supply temperature sensor circuit.
E43	Return Sensor Shorted	A short circuit has been detected in the boiler return temperature sensor circuit.
E44	Return Sensor Open	An open circuit has been detected in the boiler return temperature sensor circuit.
E47	Water Pressure Sensor Error	Water pressure sensor is disconnected or broken.
E80	Return > Supply	Return temperature is higher than supply temperature.
E87	External Limit Open	An external manual reset limit has opened

## 5.0 ACVMax Operation

### 5.11 Automatic Reset Soft Lockouts

Code	Lockout Message	Description
E7	<b>High Flue Temperature</b>	Flue temperature exceeds high limit.
E12	<b>Internal Control Fault</b>	EEPROM misconfiguration
E25	<b>Internal Control Fault</b>	CRC check error.
E32	<b>DHW Sensor Shorted</b>	A short circuit has been detected in the DHW temperature sensor circuit.
E33	<b>DHW Sensor Open</b>	An open circuit has been detected in the DHW temperature sensor circuit.
E34	<b>Low Voltage</b>	Line voltage has fallen below an acceptable operating level.
E37	<b>Low Water</b>	Water level has fallen below an acceptable operating level.
E45	<b>Flue Sensor Shorted</b>	A short circuit has been detected in the boiler flue temperature sensor circuit.
E46	<b>Flue Sensor Open</b>	An open circuit has been detected in the boiler flue temperature sensor circuit.
E76	<b>External Limit Open</b>	An external automatic reset boiler limit has opened.
E81	<b>Sensor Drift</b>	Supply and return temperatures are not equal.
E89	<b>Incorrect Setting</b>	A parameter setting is in conflict with another setting.
E90	<b>Firmware Mismatch</b>	Control module and display firmware versions are incompatible.
E91	<b>System Sensor Shorted</b>	A short circuit has been detected in the system temperature sensor circuit.
E92	<b>System Sensor Open</b>	An open circuit has been detected in the system temperature sensor circuit.
E93	<b>Outdoor Sensor Shorted</b>	A short circuit has been detected in the outdoor temperature sensor circuit.
E94	<b>Internal Display Fault</b>	Display memory error.
E95	<b>Supply Sensor Error</b>	Supply sensor reading is invalid.
E96	<b>Outdoor Sensor Open</b>	An open circuit has been detected in the outdoor temperature sensor circuit.
E97	<b>Cascade Mismatch</b>	Cascade configuration has changed.
E98	<b>Cascade Bus Error</b>	Communication with other boilers has been lost.
E99	<b>Controller Bus Error</b>	Communication between boiler display and control module has been lost.



---

## 6.0 Replacement Parts

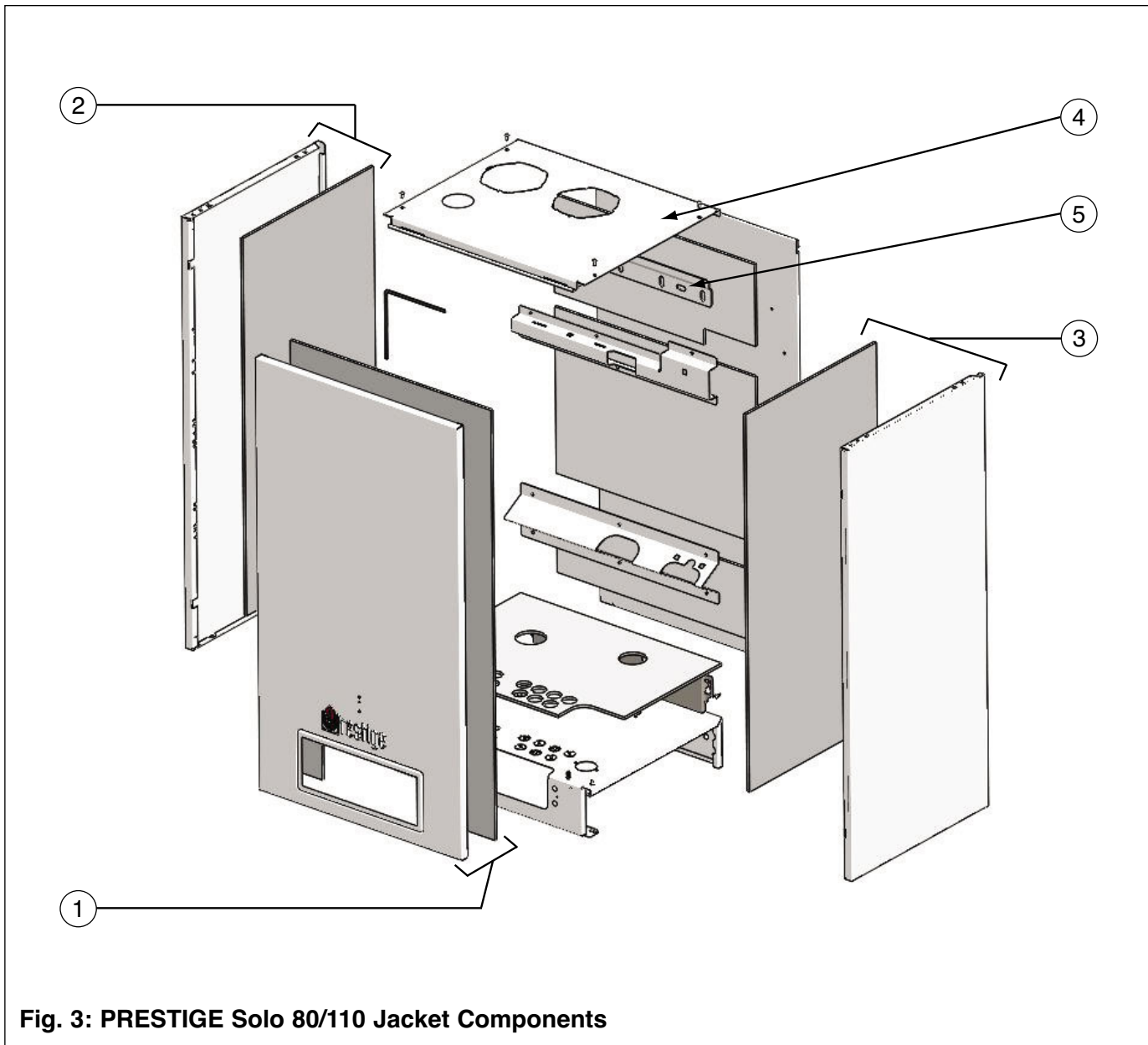
---

### SECTION VI - REPLACEMENT PARTS

 **WARNING**

**Replacement parts must be purchased through a local ACV-Triangle Tube distributor. When ordering part please provide the model number and description and/or part number of replacement part. Use only genuine ACV-Triangle Tube replacement parts to ensure warranty coverage and to avoid damage to appliance and improper operation of appliance. Contact ACV-Triangle Tube at 856-228-8881 or [www.triangletube.com](http://www.triangletube.com) for list of distributors nearest you.**

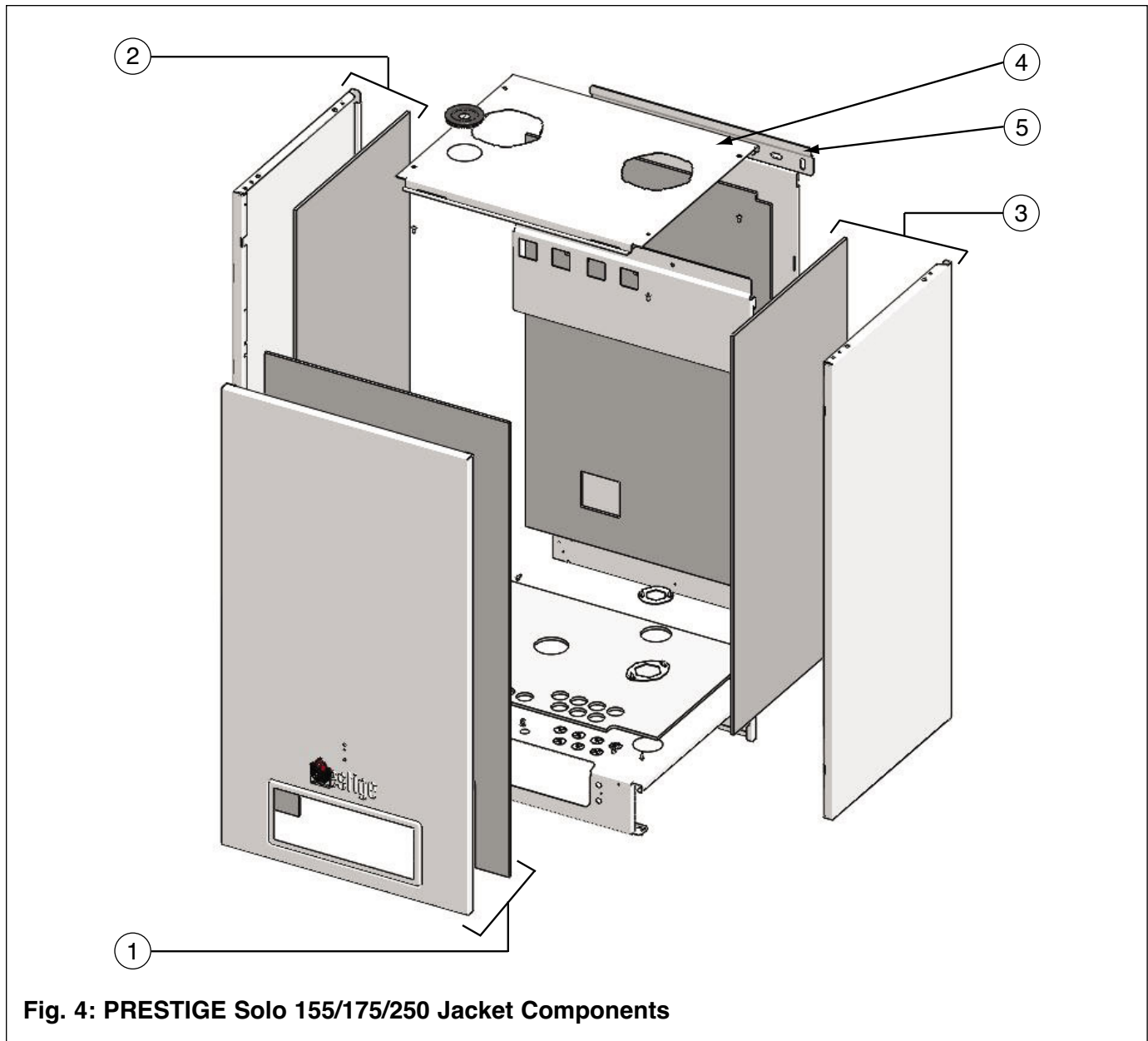
## 6.0 Replacement Parts



**Fig. 3: PRESTIGE Solo 80/110 Jacket Components**

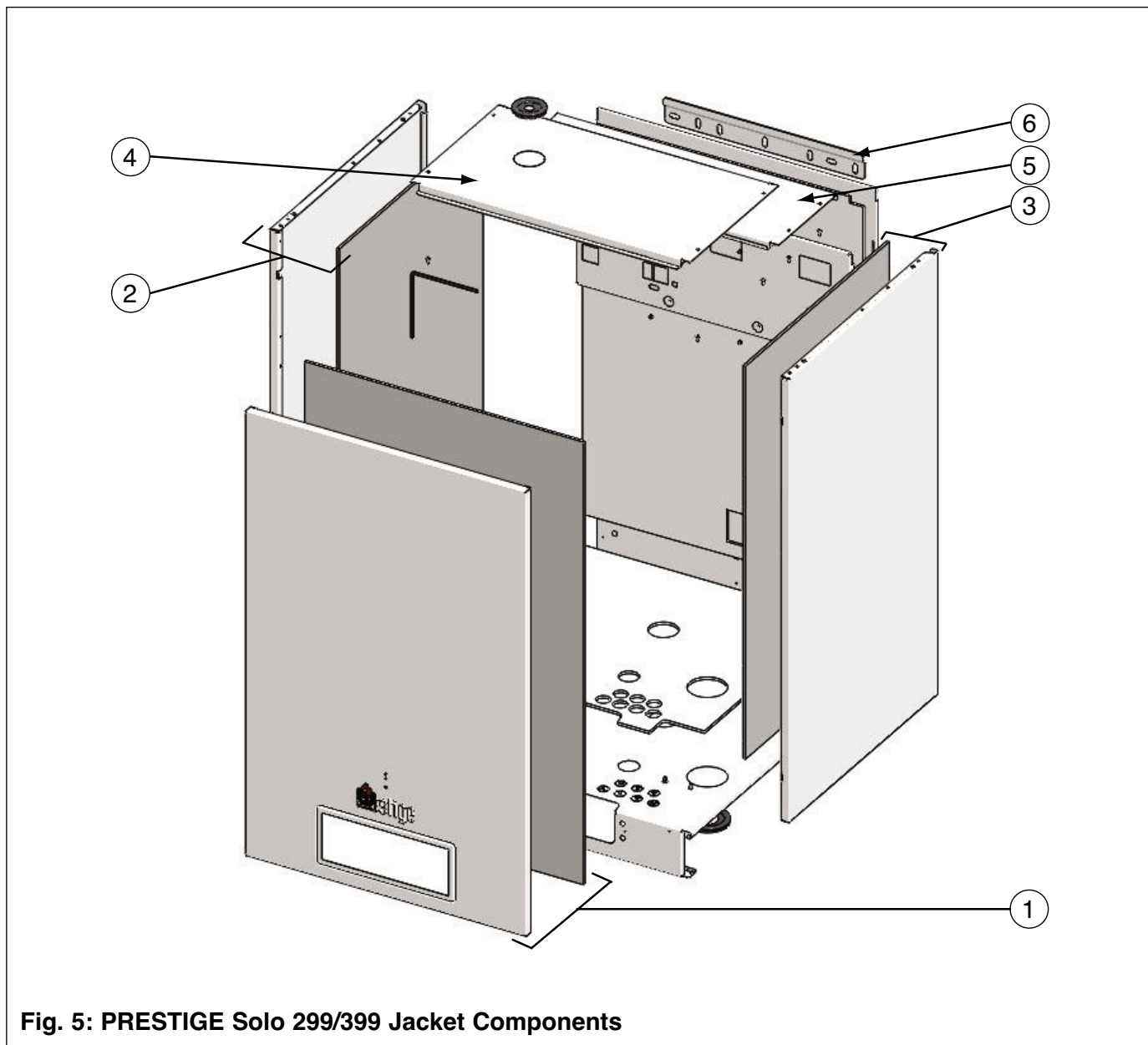
Item	Part #	Description
1	PAJKT01	Front Jacket Panel (with insulation)
2	PAJKT03	Left Side Jacket Panel (with insulation)
3	PAJKT21	Right Side Jacket Panel (with insulation)
4	PAJKT04	Top Panel
5	PSRKIT21	Wall Mounting Bracket with Hardware

## 6.0 Replacement Parts



Item	Part #	Description
1	PAJKT01	Front Jacket Panel (with insulation)
2	PAJKT03	Left Side Jacket Panel (with insulation)
3	PAJKT21	Right Side Jacket Panel (with insulation)
4	PAJKT12	Top Panel
5	PSRKIT21	Wall Mounting Bracket with Hardware

## 6.0 Replacement Parts



**Fig. 5: PRESTIGE Solo 299/399 Jacket Components**

Item	Part #	Description
1	PAJKT15	Front Jacket Panel (with insulation)
2	PAJKT16	Left Side Jacket Panel (with insulation)
3	PAJKT22	Right Side Jacket Panel (with insulation)
4	PAJKT17	Top Panel - Front
5	PAJKT18	Top Panel - Rear
6	PSRKIT21	Wall Mounting Bracket with Hardware

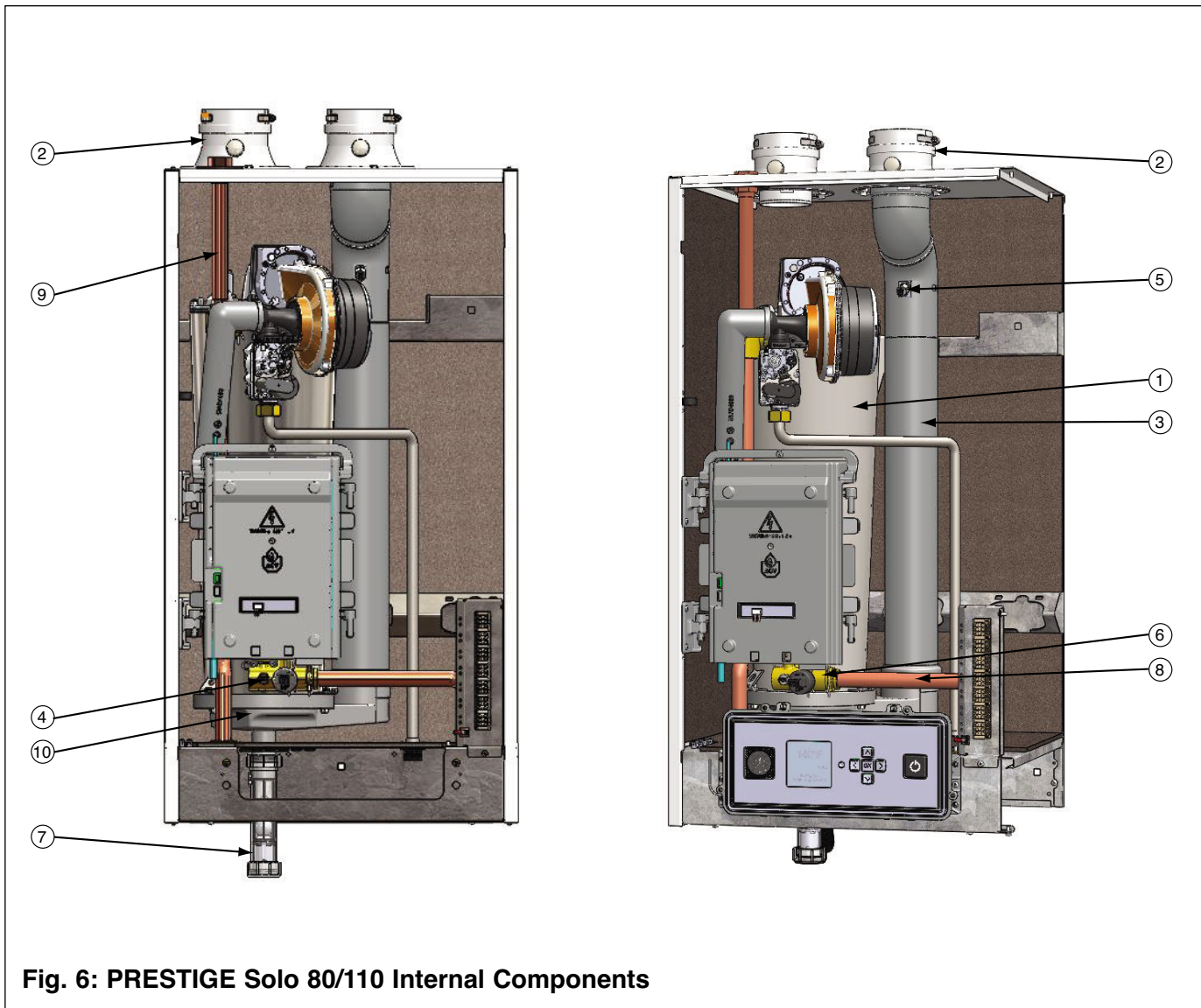
---

## 6.0 Replacement Parts

---

(Page left intentionally blank)

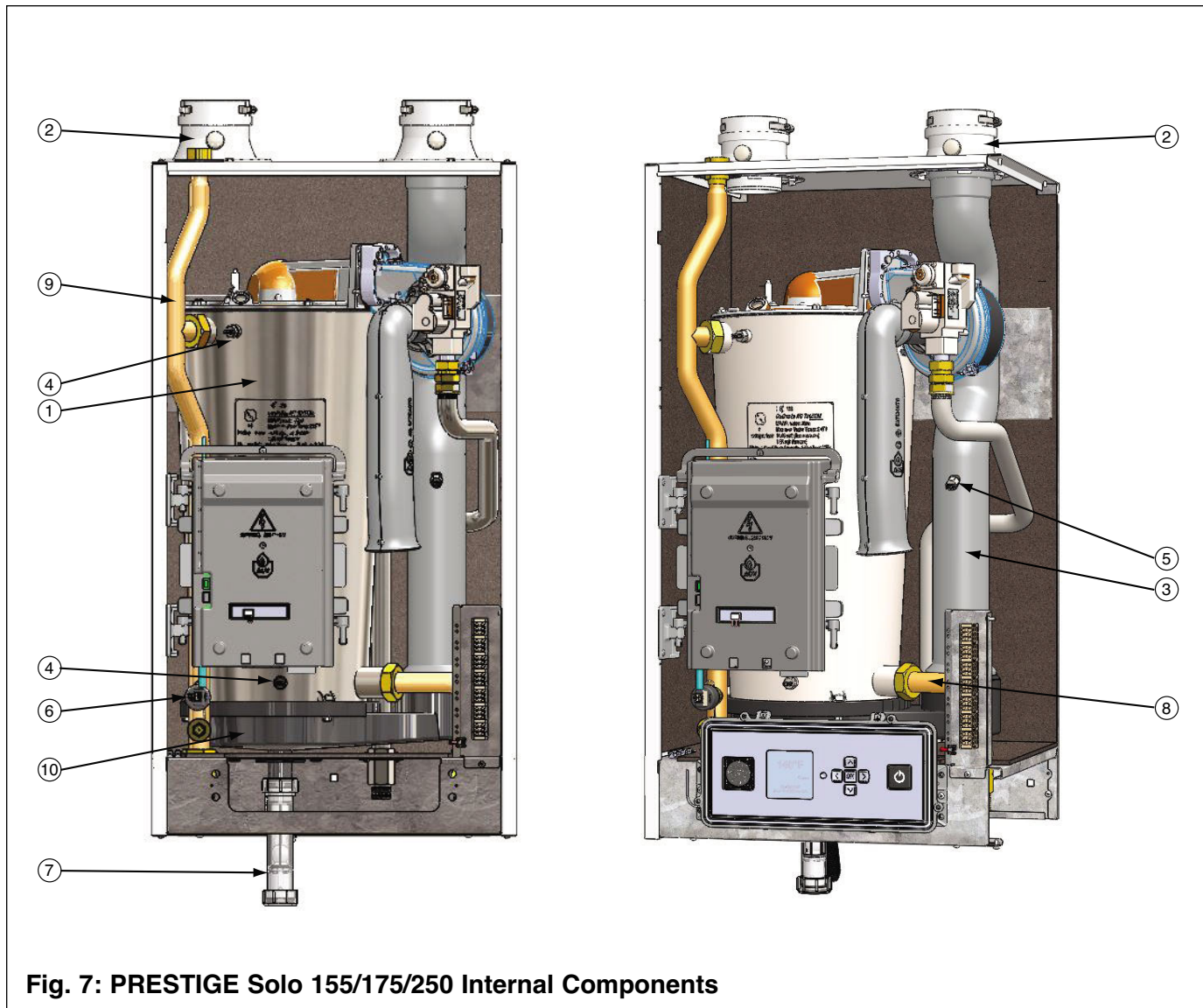
## 6.0 Replacement Parts



**Fig. 6: PRESTIGE Solo 80/110 Internal Components**

Item	Part #	Description
1	PARKIT90	Heat Exchanger Body
2	PTADPT07	Vent Outlet/Combustion Air Inlet Adapter
3	PARKIT02	Polypropylene Vent Pipe
4	PTRKIT123	Supply/Return Temperature Sensor
5	PARKIT01	Flue Temperature Sensor
6	PARKIT04	LWCO Pressure Sensor
7	PARKIT05	Condensate Drain Assembly
8	PARKIT06	Boiler Piping - Return Assembly
9	PARKIT07	Boiler Piping - Supply Assembly
10	PARKIT13	Polypropylene Condensate Pan

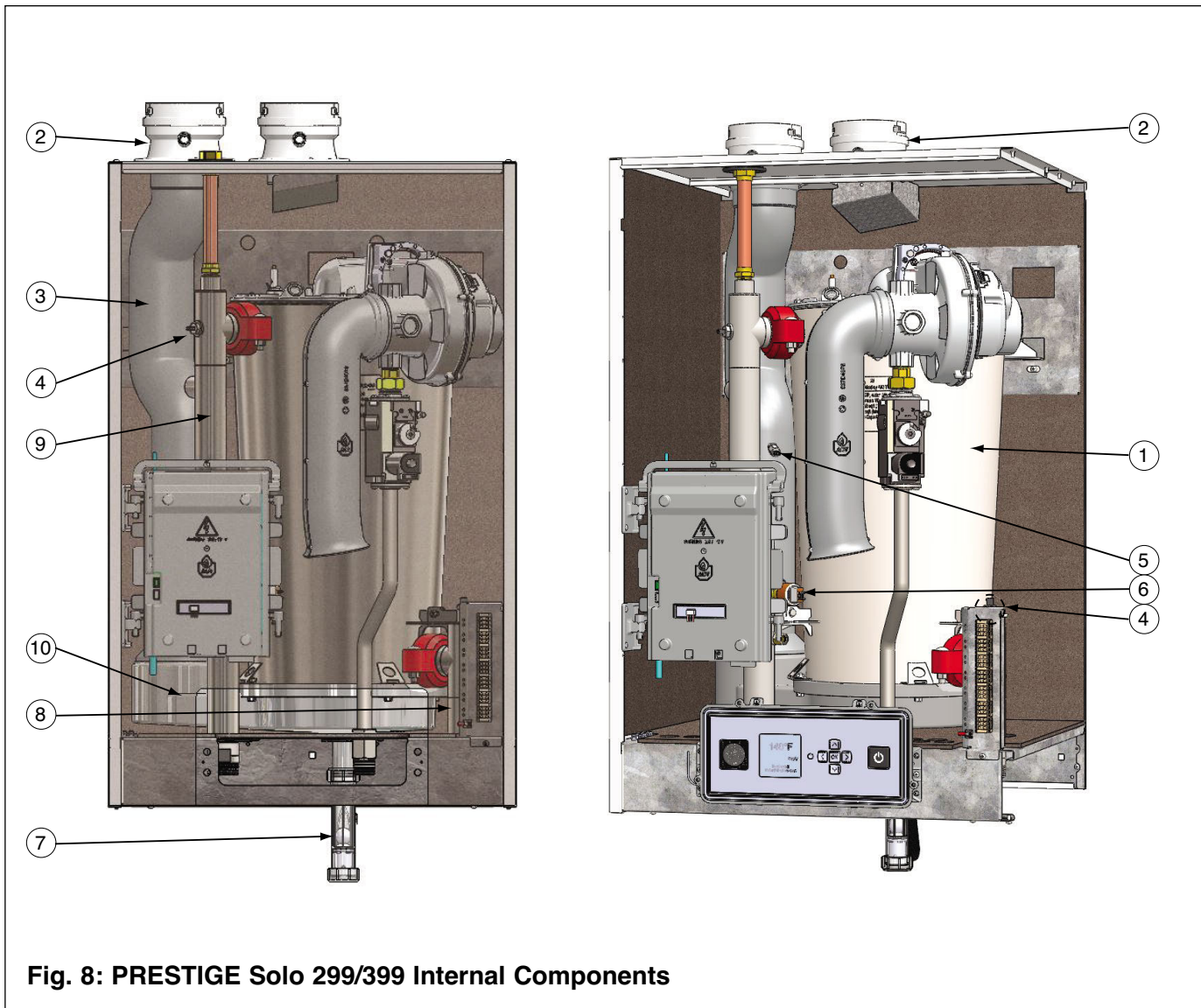
## 6.0 Replacement Parts



**Fig. 7: PRESTIGE Solo 155/175/250 Internal Components**

Item	Part #	Description
1	PARKIT91	Heat Exchanger Body Solo 155
	PARKIT92	Heat Exchanger Body Solo 175
	PARKIT93	Heat Exchanger Body Solo 250
2	PTADPT07	Vent Outlet/Combustion Air Inlet Adapter
3	PARKIT08	Polypropylene Vent Pipe
4	PTRKIT122	Supply/Return Temperature Sensor
5	PARKIT01	Flue Temperature Sensor
6	PARKIT04	LWCO Pressure Sensor
7	PSRKIT44	Condensate Drain Assembly
8	PARKIT46	Boiler Piping - Return Assembly
	PARKIT47	Boiler Piping - Supply Assembly
10	PARKIT43	Polypropylene Condensate Pan Solo 155
	PARKIT53	Polypropylene Condensate Pan Solo 175 & 250

## 6.0 Replacement Parts



**Fig. 8: PRESTIGE Solo 299/399 Internal Components**

Item	Part #	Description
1	PARKIT94	Heat Exchanger Body Solo 299
	PARKIT95	Heat Exchanger Body Solo 399
2	PTADPT08	Vent Outlet/Combustion Air Inlet Adapter
3	PARKIT09	Polypropylene Vent Pipe
4	PARKIT78	Supply/Return Temperature Sensor
5	PARKIT01	Flue Temperature Sensor
6	PARKIT04	LWCO Pressure Sensor
7	PSRKIT44	Condensate Drain Assembly
8	PARKIT76	Boiler Piping - Return Assembly
9	PARKIT77	Boiler Piping - Supply Assembly
10	PARKIT73	Polypropylene Condensate Pan Solo 155



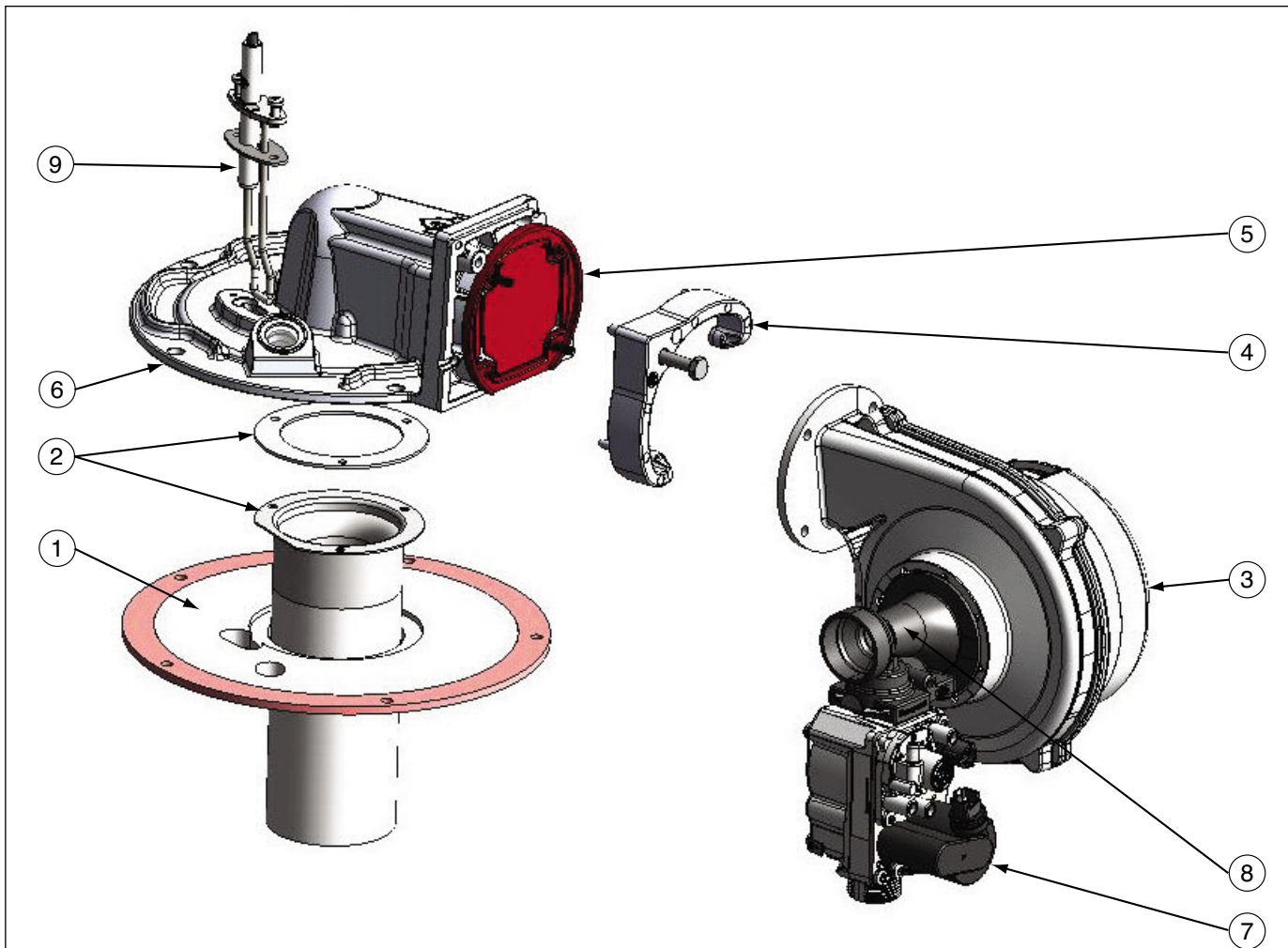
---

## 6.0 Replacement Parts

---

(Page left intentionally blank)

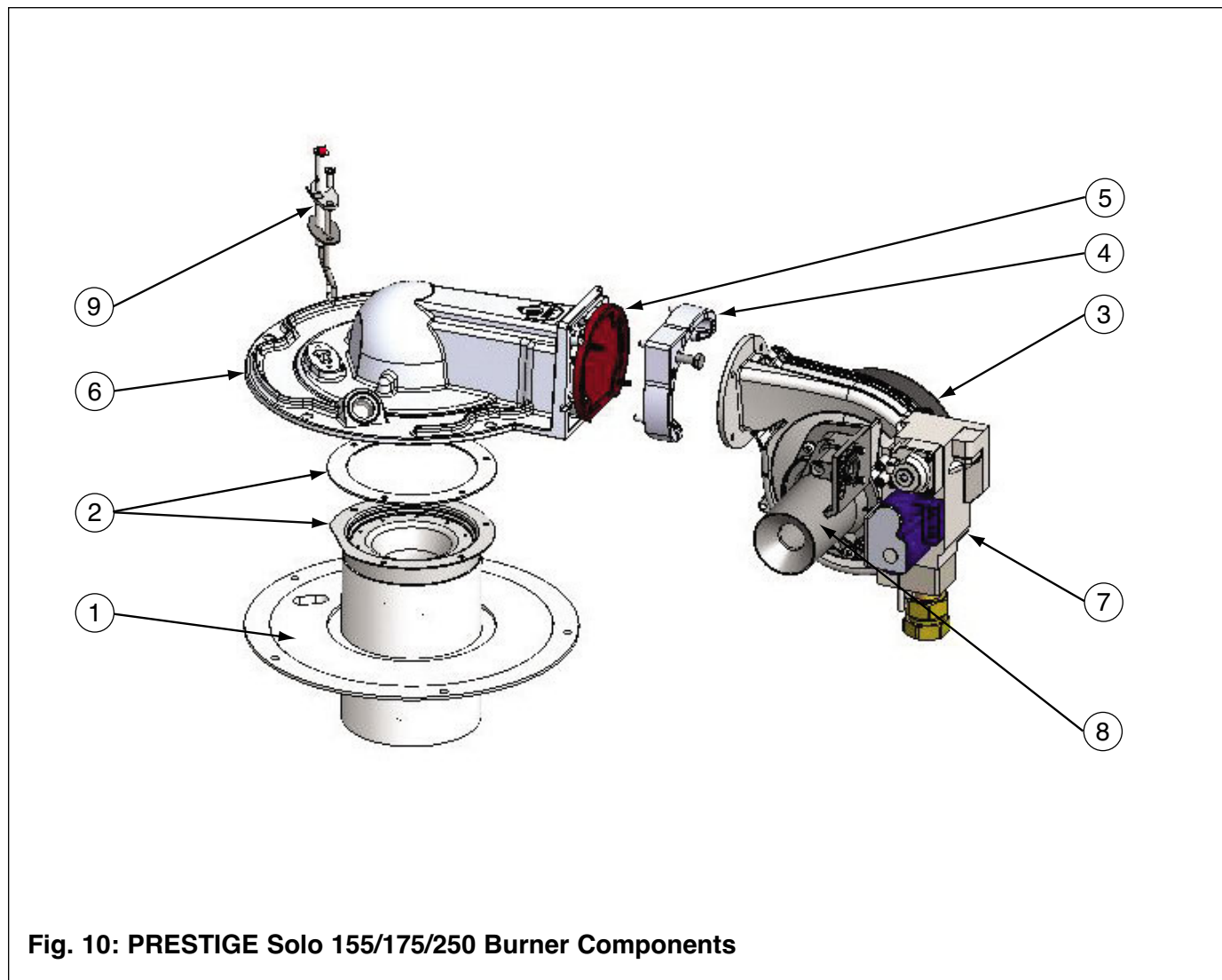
## 6.0 Replacement Parts



**Fig. 9: PRESTIGE Solo 80/110 & Excellence Burner Components**

Item	Part #	Description
1	PARKIT12	Combustion Chamber 2-in-1 Insulation
2	PARKIT14	Burner Head Assembly (with Gasket)
3	PARKIT11	Blower Assembly (with Gasket)
4	PARKIT18	Blower Clamp
5	PARKIT19	Blower Gasket
6	PARKIT15	Burner Plate Assembly
7	PARKIT17	Gas Valve
8	PARKIT10	Venturi - Solo 80
	PARKIT20	Venturi - Solo 110
9	PARKIT16	Igniter Assembly

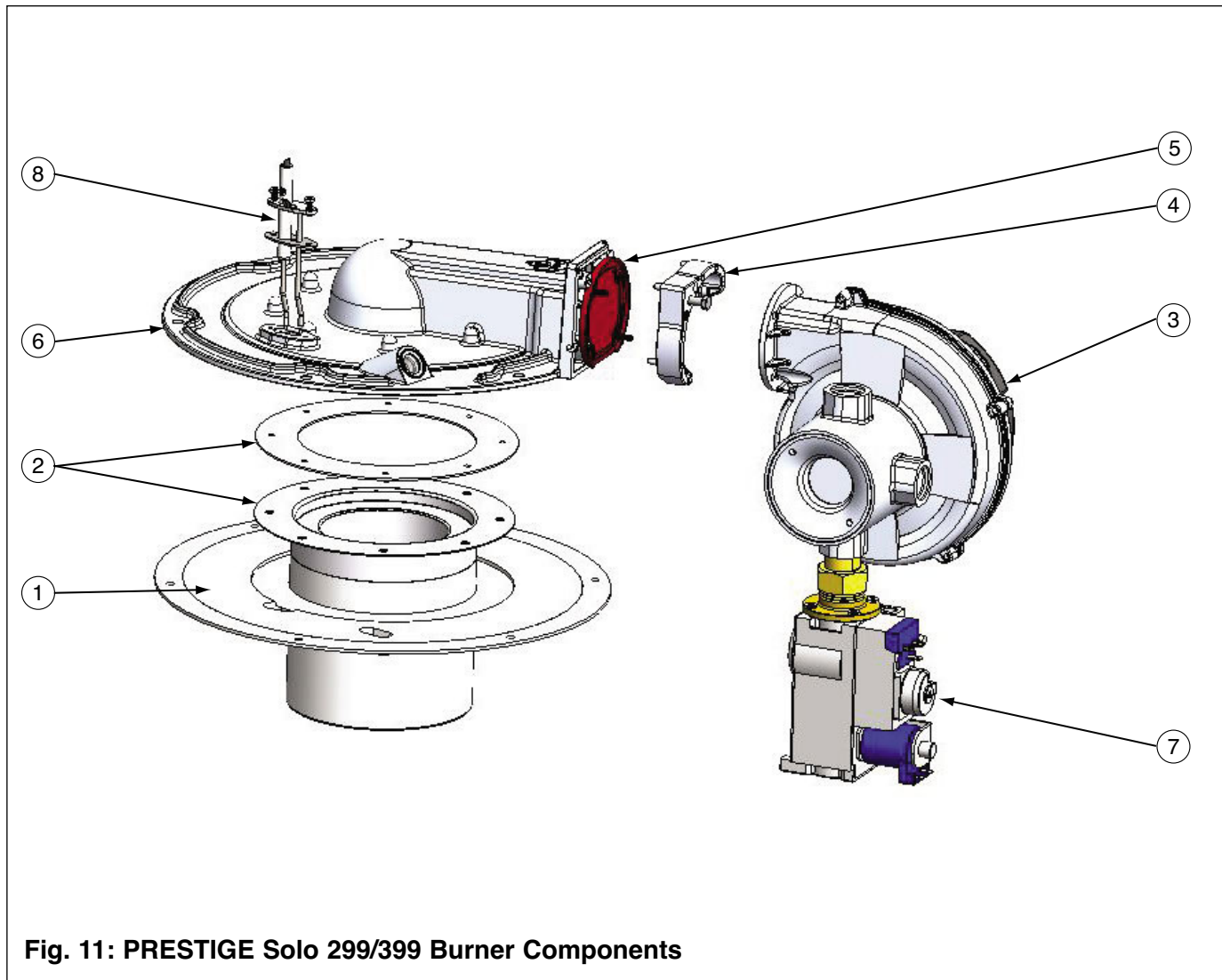
## 6.0 Replacement Parts



**Fig. 10: PRESTIGE Solo 155/175/250 Burner Components**

Item	Part #	Description
1	PARKIT42	Combustion Chamber 2-in-1 Insulation - Solo 155
	PARKIT52	Combustion Chamber 2-in-1 Insulation - Solo 175 & 250
2	PSRKIT31	Burner Head Assembly (with Gasket)
3	PARKIT51	Blower Assembly (with Gasket) - Solo 155 & 175
	PSRKIT13	Blower Assembly (with Gasket) - Solo 250
4	PARKIT18	Blower Clamp
5	PARKIT19	Blower Gasket
6	PARKIT45	Burner Plate Assembly - Solo 155
	PARKIT55	Burner Plate Assembly - Solo 175 & 250
7	PTRKIT111	Gas Valve
8	PSRKIT81	Venturi - Solo 155
	PSRKIT82	Venturi - Solo 175
	PSRKIT83	Venturi - Solo 250
9	PARKIT56	Igniter Assembly

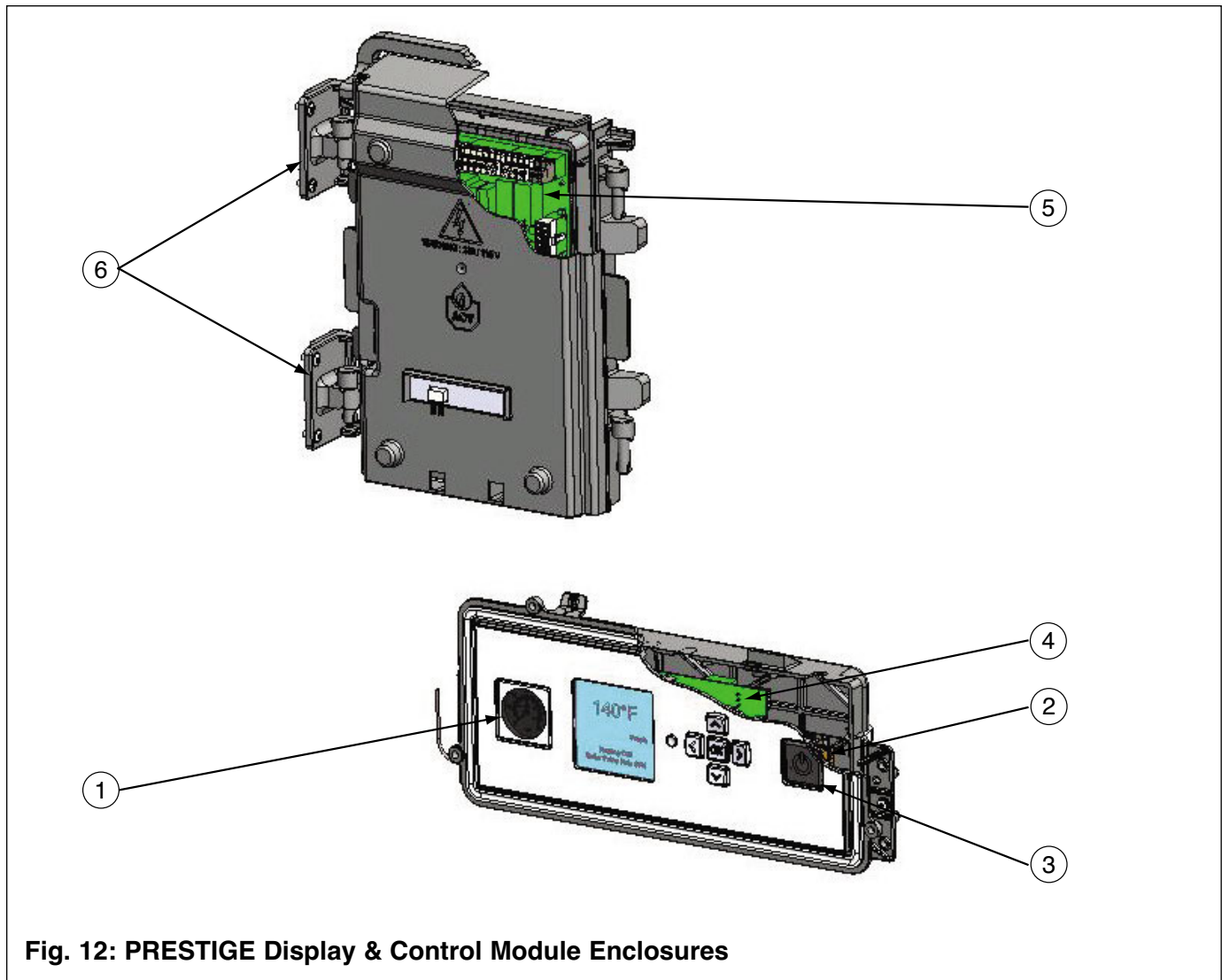
## 6.0 Replacement Parts



**Fig. 11: PRESTIGE Solo 299/399 Burner Components**

Item	Part #	Description
1	PARKIT72	Combustion Chamber 2-in-1 Insulation
2	PSRKIT38	Burner Head Assembly (with Gasket)
3	PARKIT71	Blower Assembly (with Gasket)
4	PARKIT18	Blower Clamp
5	PARKIT19	Blower Gasket
6	PARKIT75	Burner Plate Assembly - Solo 299
	PARKIT85	Burner Plate Assembly - Solo 399
7	PARKIT79	Gas Valve
8	PARKIT16	Igniter Assembly

## 6.0 Replacement Parts



**Fig. 12: PRESTIGE Display & Control Module Enclosures**

Item	Part #	Description
1	PTRKIT109	Pressure Gauge
2	PTSWI01	Power Switch
3	PTSWI02	Power Switch Cover
4	PADIS02	Display Module
5	PACON01	Control Module
6	PAHNG01	Control Box Hinges

---

**7.0 Notes**

---

**SECTION VII - NOTES**

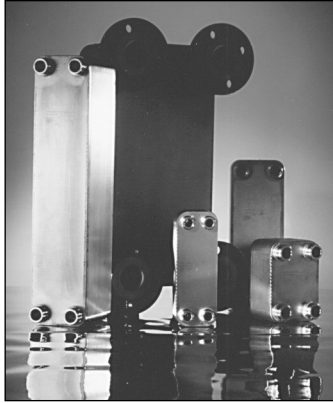
---

## 7.0 Notes

---

## Additional quality water heating equipment available from ACV- Triangle Tube

### Brazed Plate Heat Exchangers



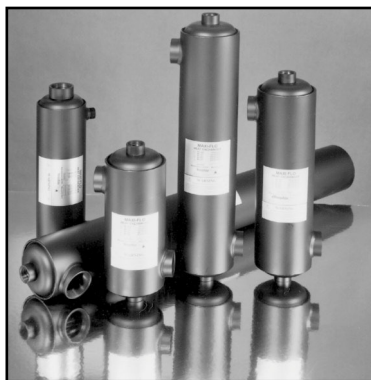
- For domestic water, snow melting, radiant floor, refrigeration
- Plates made of stainless steel, with a 99.9 % copper and brazed, ensuring a high resistance to corrosion
- Self cleaning and self descaling
- Computerized sizing available from ACV-Triangle Tube
- Available in capacities from 25,000 BTU/hr to 5,000,000 BTU/hr

### Phase III Indirect Fired Water Heaters



- Exclusive "tank-in-tank" design
- Stainless steel construction
- Available in 7 sizes
- Limited LIFETIME residential warranty
- 6 year limited commercial warranty
- Self cleaning/self descaling design

### Maxi-flo Pool and Spa Heat Exchangers



- Constructed of high quality corrosion resistant stainless steel (AISI 316)
- Specially designed built-in flow restrictor to assure maximum heat exchange
- Compact and light weight
- Available in 8 sizes that can accommodate any size pool or spa



Triangle Tube -Freeway Center - 1 Triangle Lane -Blackwood, NJ 08012  
Tel: (856) 228 8881 - Fax: (856) 228 3584 -E-mail: Sales@triangletube.com