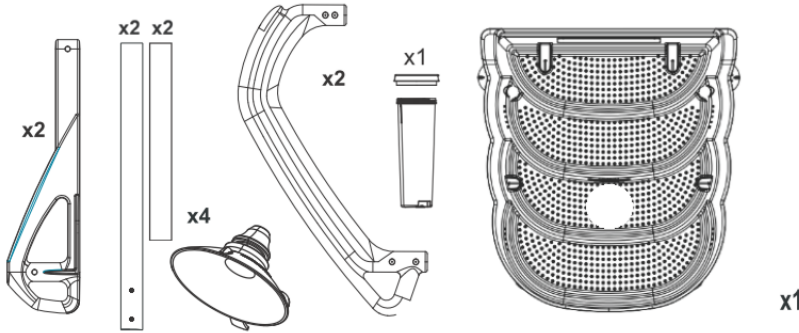
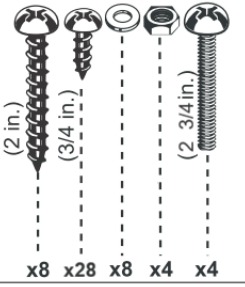


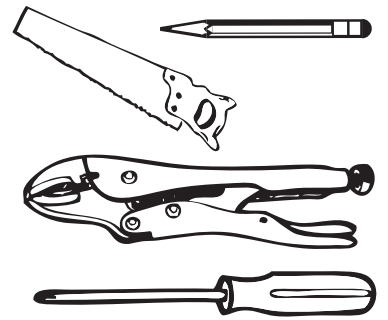
# SPACE SAVER WITH PLASTIC HANDRAILS

Contents of the Space Saver SKU # AB-ME200-HRK

SCREW KIT 140-0083



Required tools (not included)



Sand (not included)



## ! WARNING

- ▶ Install the step on a flat surface.
- ▶ **Do not jump or dive from the step.**
- ▶ Remove the step from water when temperatures drop below freezing.
- ▶ In winter, the step should be stored in an area protected from snow.
- ▶ Never lift the step by its handrails.
- ▶ Use BATTERY operated tools to avoid electric shock near water.
- ▶ Ensure no corrosive materials are added to the step or hardware kit.
- ▶ The step must be installed per manufacturer's instructions.
- ▶ File off all stripped or sharp edges before assembly to avoid injuries and liner damage.
- ▶ The manufacturer is **not responsible for damages or injuries** caused by improper installation or use of product.
- ▶ To ease the installation of handrails and bolts, use a screwdriver to line up the holes.

### A

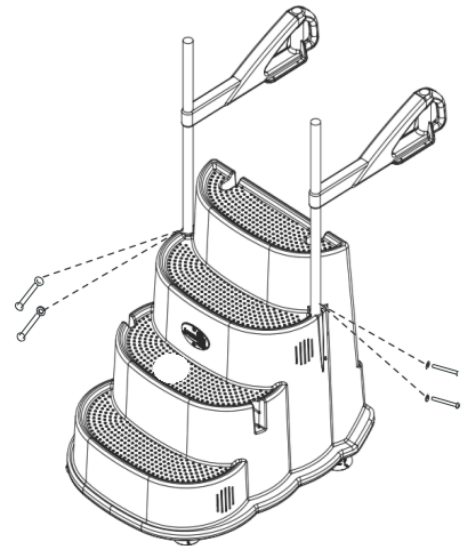


With a flat screwdriver, compress the Step Cup™ mushroom ring while pushing it into one of the holes under the step. Twist the Step Cup™ to ensure that its mushroom has entirely cleared the wall thickness.

### B

1) Assemble the tubes to the step with the screws, washers and nuts provided.

2) Slide the deck support over the posts.



### C

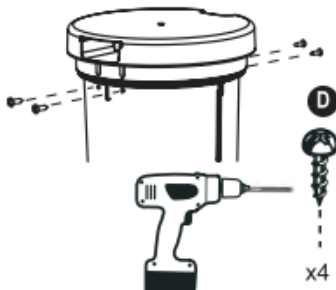
1) Fill the ballast with sand. The approximate weight should be 15 lbs.



2) Screw the lid in place and align the cover ribs with the holes in the ballast base.



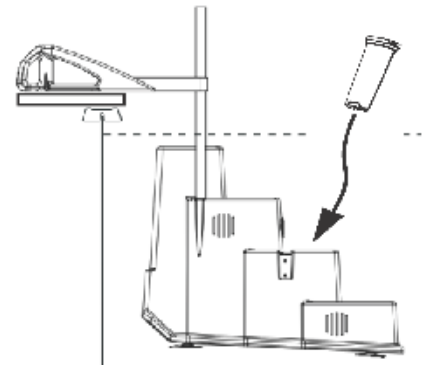
3) Fasten the cover to the ballast base with the four screws provided.



4) Slowly submerge the step into the pool. Make sure you do not damage the pool liner in the process.

5) Angle the whole step so that it is entirely under water. Purge all the air from under the steps.

6) Slide the deck support to the height of the deck.



## CAUTION

To prevent pool liner puncture, keep a minimum 1" gap between the pool liner and the rear underside of the step.



2257 route 139  
Drummondville, Québec  
J2A 2G2

WWW.INNOVAPLAS.COM

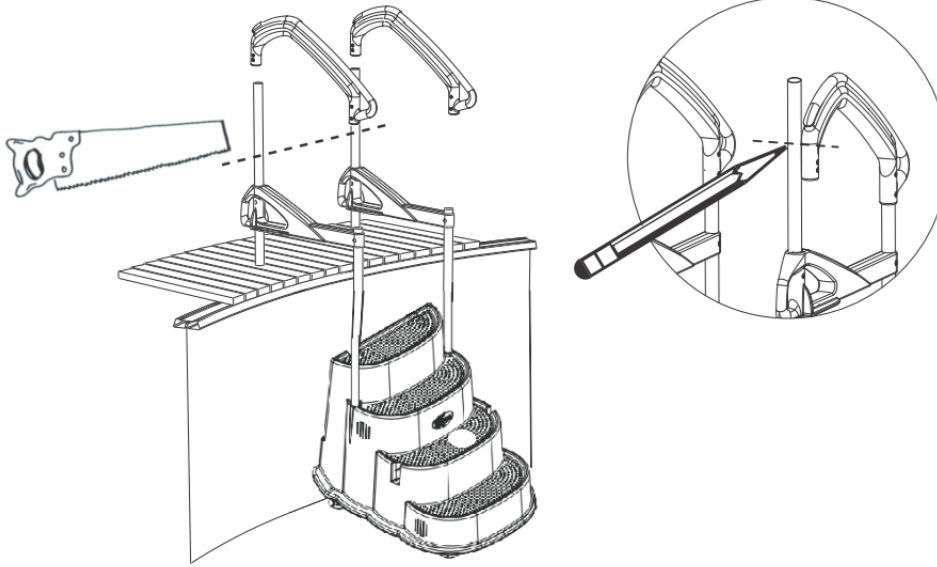
MANUFACTURER WARRANTY

1 year on pool step.  
1 year on hardware.

REV. 05-03-2026 PN: 140-0083 PG:1

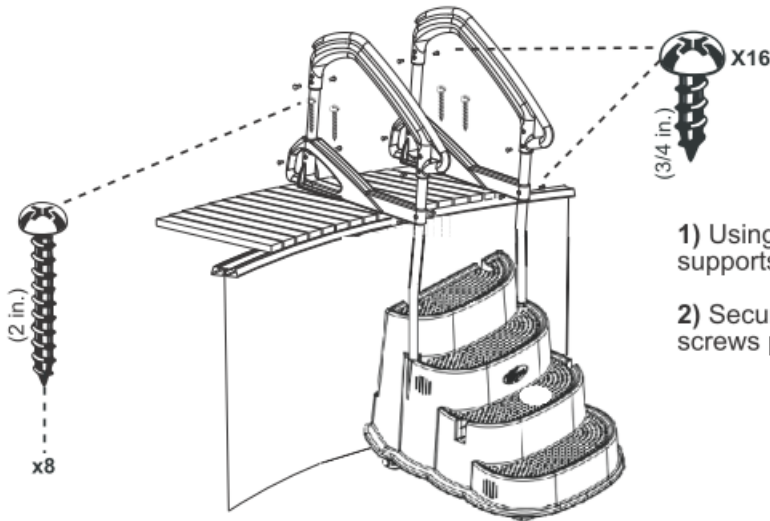
# SPACE SAVER WITH PLASTIC HANDRAILS

## D



- 1) Slide the deck supports to the height of the deck.
- 2) Insert the rear post into the deck supports.
- 3) Insert the handrails over the 2 front posts. Mark on the rear posts with a pencil where to cut posts so that they fit in the handrails.
- 4) Cut the posts.

## E



- 1) Using the screws provided secure the deck supports and the handrails to the posts.
- 2) Secure the deck arms to the deck using the screws provided

POOL DECK ABOVE POOL TOP SEAT

POOL TOP SEAT FLUSH WITH DECK POOL

HOW TO MOUNT YOUR DECK SUPPORT FOR YOUR POOL

?

POOL DECK OFFSET FROM TOP SEAT

POOL DECK OFFSET FROM TOP SEAT

