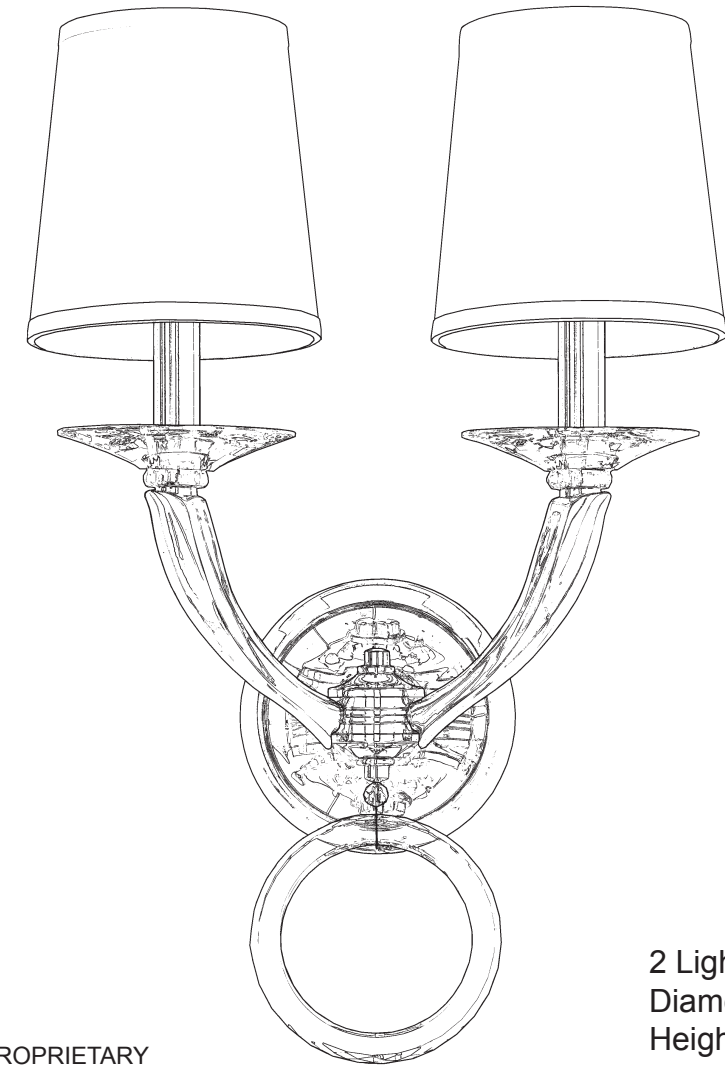




SCHONBEK®

EMILEA MA1002N- __ __ O



2 Lights
Diameter: 13"
Height: 20"
Extension: 8-1/2"
Hanging Weight: 5lbs.

THIS DESIGN IS THE PROPRIETARY
TRADE DRESS/TRADEMARK OF
SWAROVSKI LIGHTING, LTD.

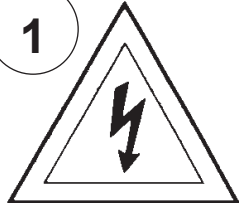


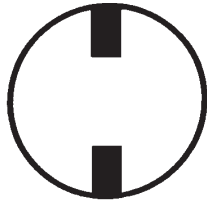
SCHONBEK®

MAX <u>40</u> W	110-120 V							

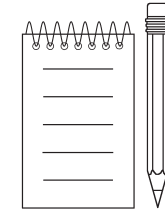
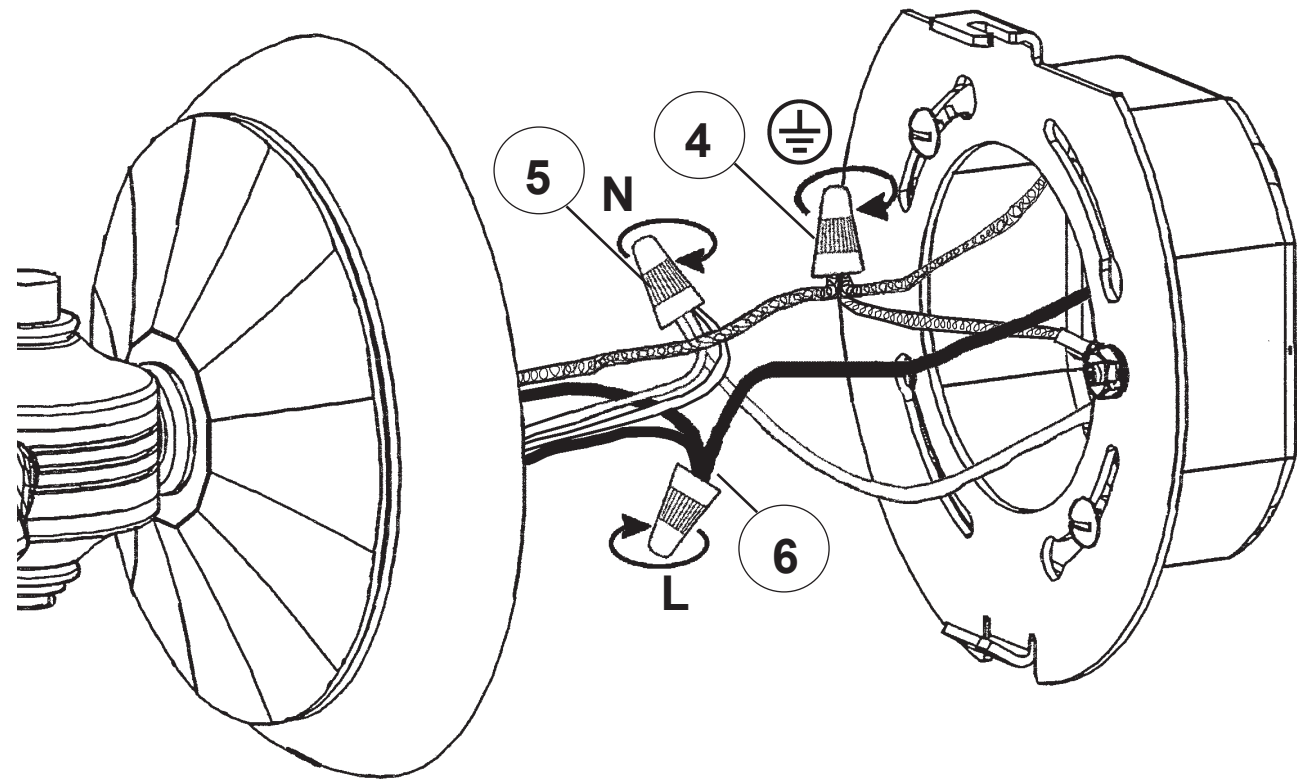
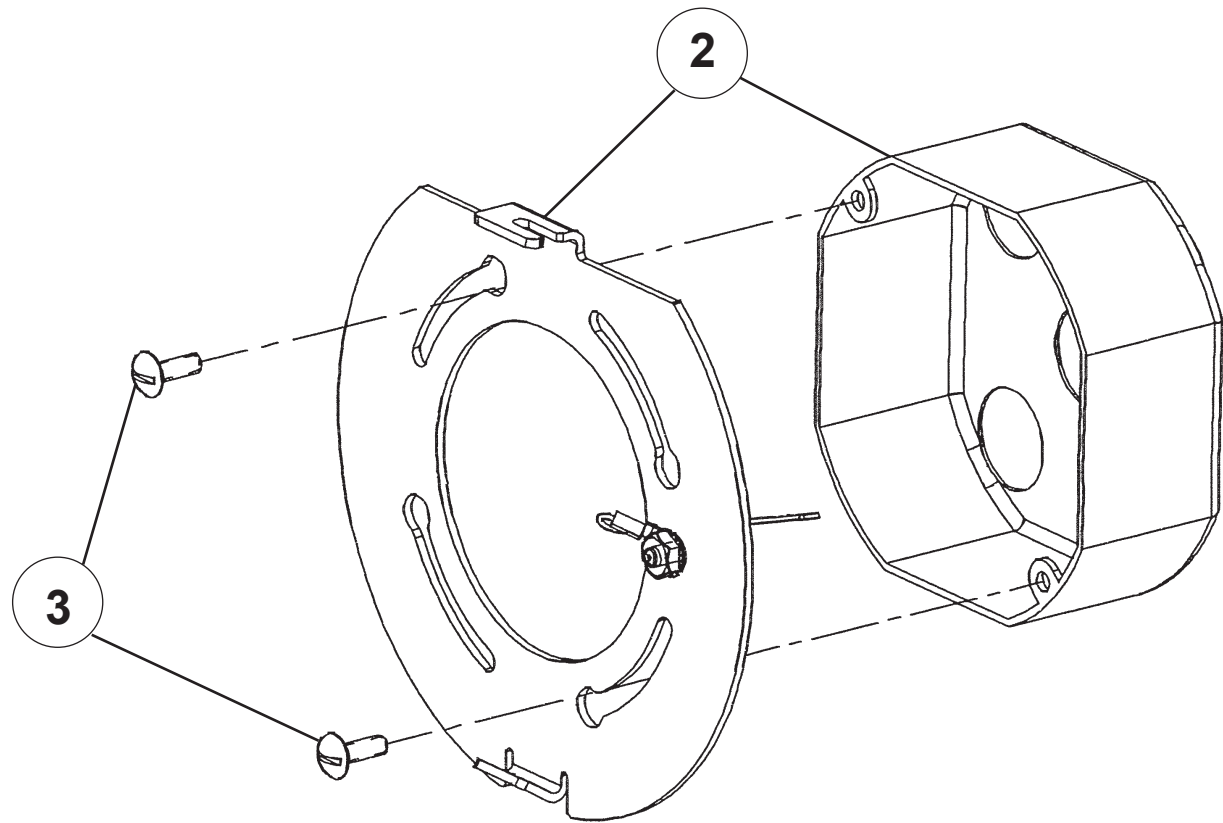
SCHONBEK® is a member of the Swarovski group.

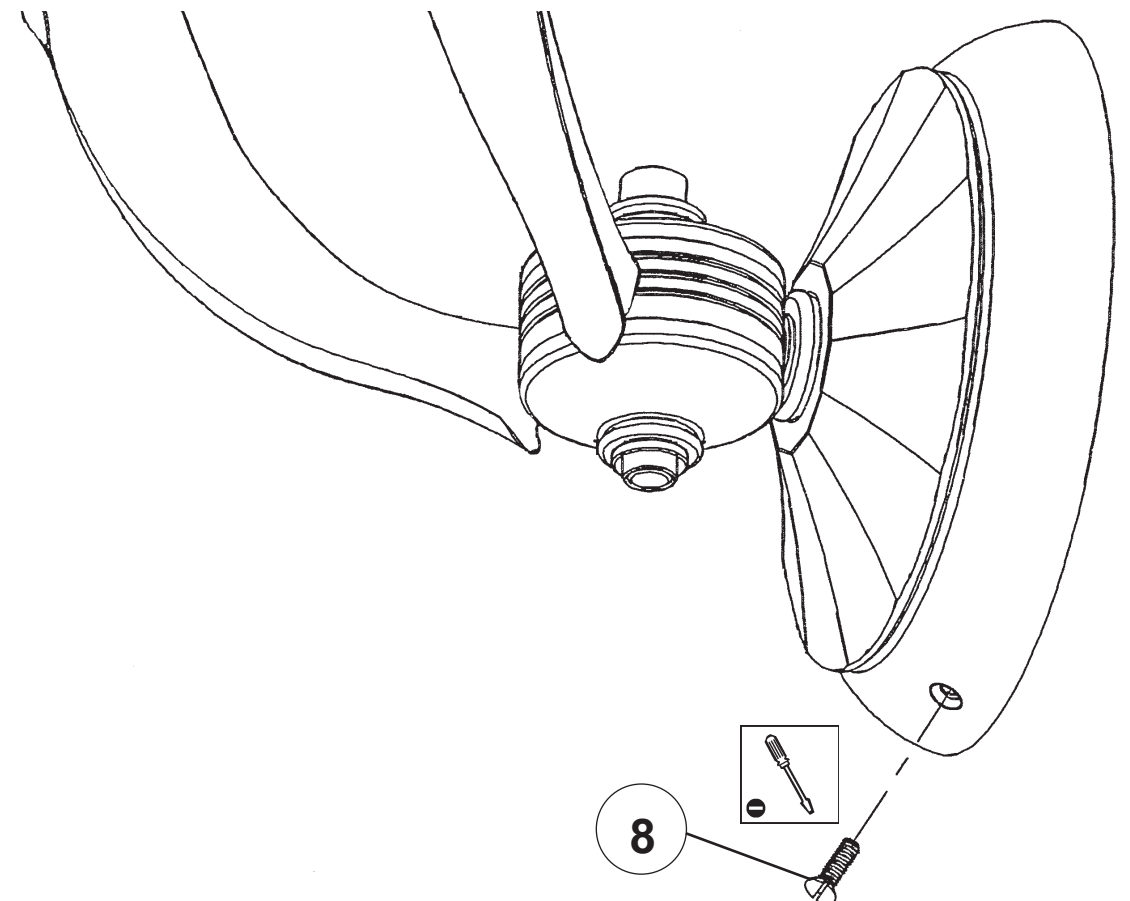
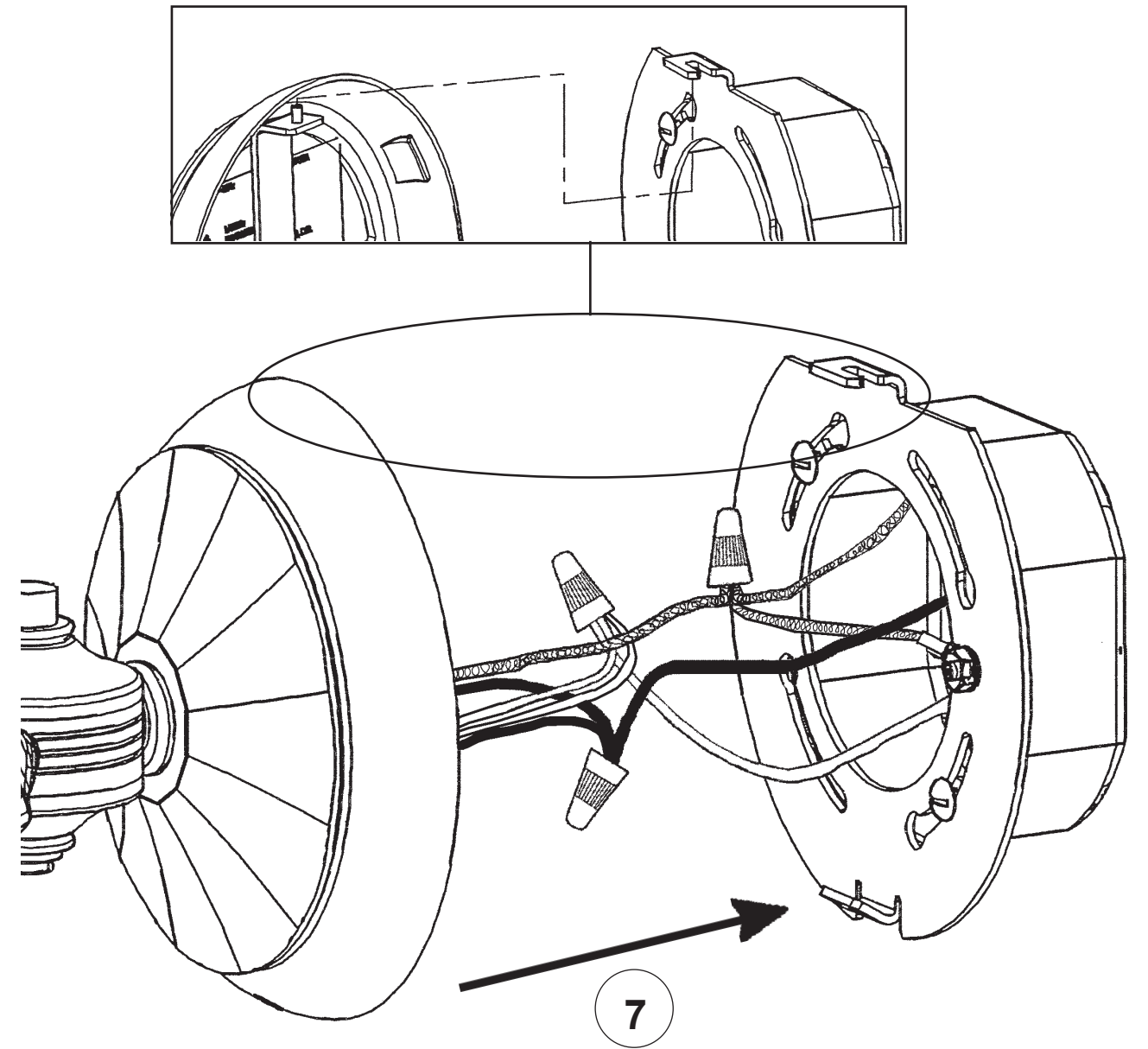
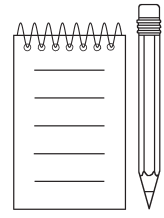
WARNING:

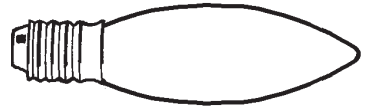
1  **Electrical Danger**

 **Turn Power Off**

All electrical components must be installed by a licensed electrician in accordance with the National Electric Code and the appropriate local electrical codes.







You will need 2 - B10
25 Watts Recommended
40 Watts Max

**Install bulbs and be sure
to test fixture BEFORE
trimming.**

