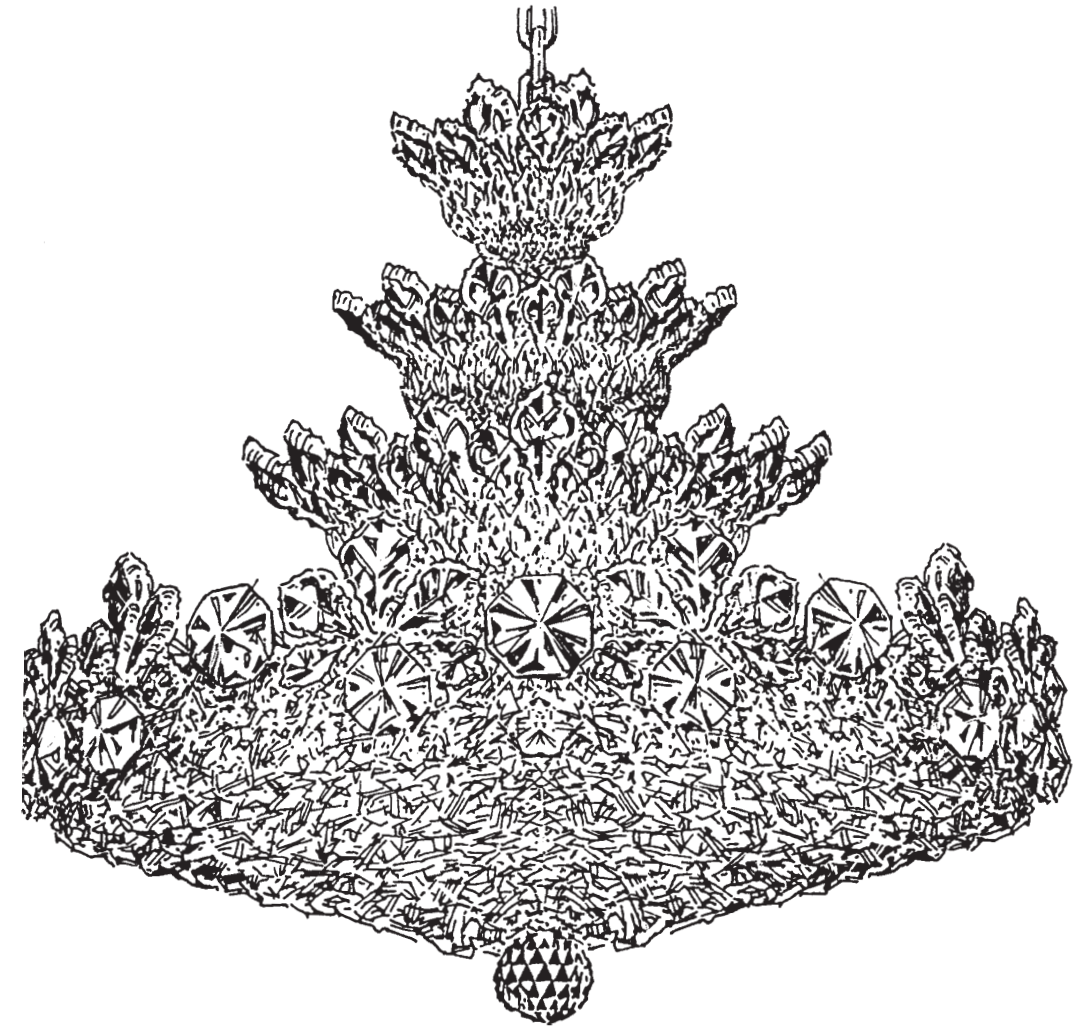




SCHONBEK®

TRILLIANE 5858- __ __ A



THIS DESIGN IS THE PROPRIETARY TRADE DRESS/TRADemark OF SWAROVSKILIGHTING, LTD.

24 Lights
Diameter: 24"
Body Length: 24"
Hanging Weight: 47 lbs.

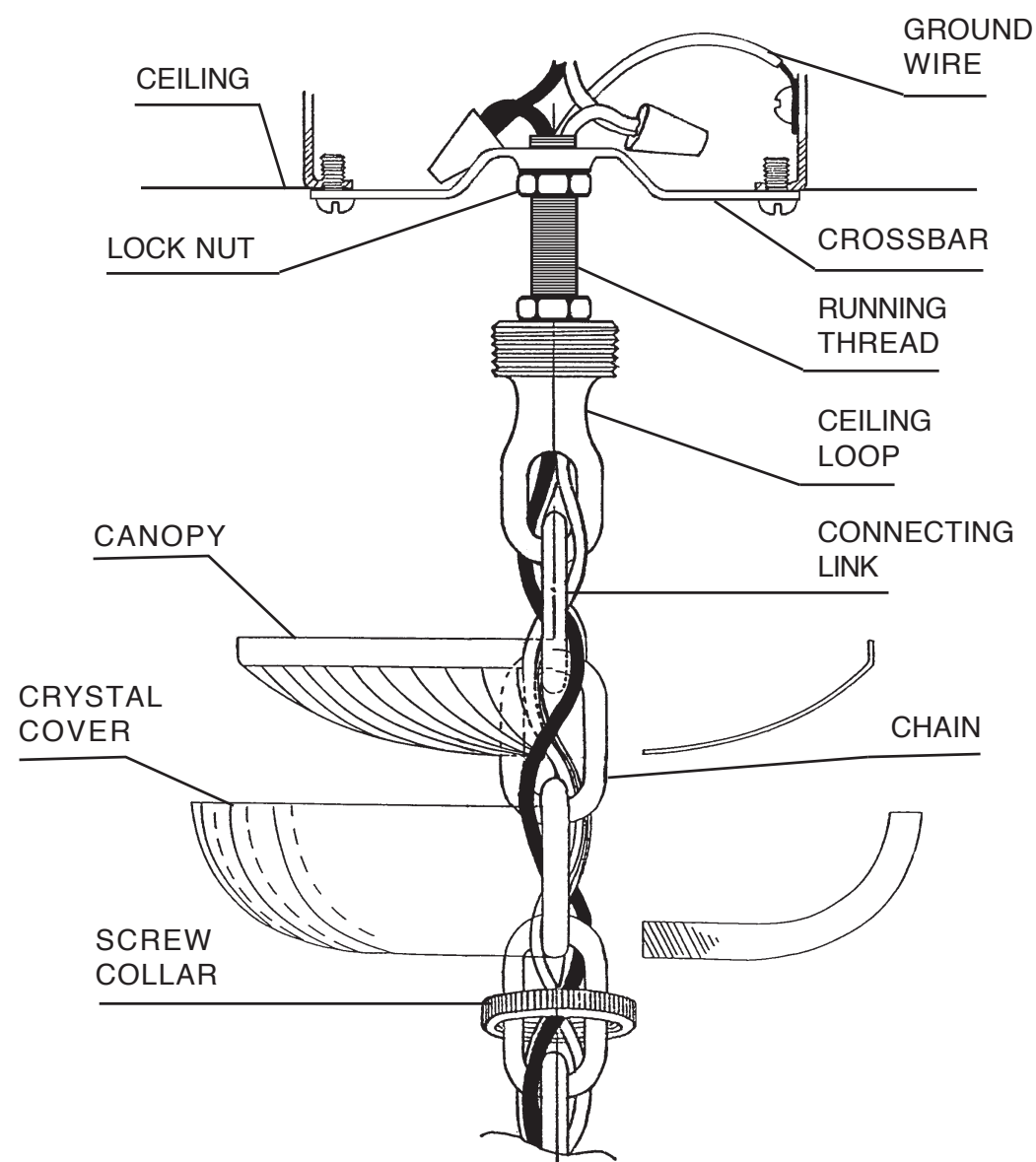


SCHONBEK®

MAX 60 W		110-120 V					

SCHONBEK® is a member of the Swarovski group.

All electrical components must be installed by a licensed electrician in accordance with the National Electric Code and the appropriate local electrical codes.



1 MAKE SURE POWER IS DISCONNECTED!!

2 Attach crossbar to outlet box.

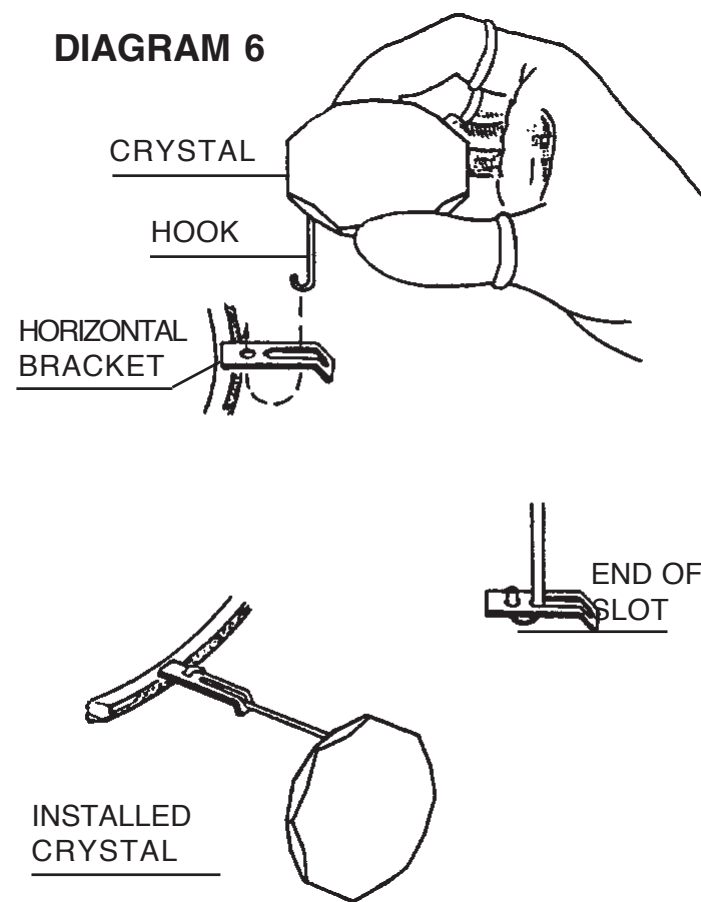
3 Slip screw collar, crystal cover and metal canopy over chain and then determine at what length the fixture is to be suspended. Join the required length of fixture chain to connecting link on stem of fixture and loop attached to ceiling canopy at other end.

4 Feed stem wires through chain, through loop at canopy end, and attach to power wires in outlet box. Fixture **MUST** be grounded.

5 Check distance from ceiling to loop to assure canopy assembly will be flush against ceiling.

6 Attach canopy to ceiling with screw collar, thereby retaining complete assembly against ceiling. Screw bulbs into all sockets. Test power to insure proper wiring before hanging trim from fixture.

DIAGRAM 6



Installation of Crystal "N", "O" and "P"

Hold crystal by the sides between thumb and forefinger. Position the crystal above the bracket so that the end of the hook enters the slot, gently push toward the center of the fixture and raise the crystal making sure that the end of the hook comes up through the hole, in line with the slot.

With the hook in the bracket, as shown, pivot the crystal downwards so that the hook rests in the end of the slot.

Cleaning instructions for Crystal "A", "E", "F" & "Q"

The crystals, with the exception of Chains "A", should be removed before cleaning. Keep each similar crystal (each letter) together for ease of retrimming fixture.

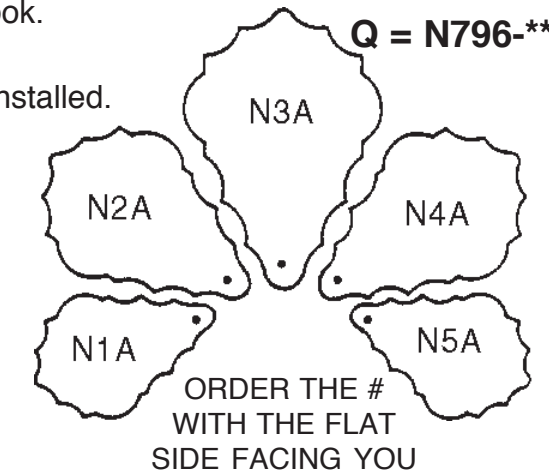
Chains "A" should not be removed to clean the crystals. The lower washer moves freely, allowing enough slack to clean the crystals.

Crystals "E" & "F" need to be gently removed. Do this by lifting the outer end of the crystal up while pressing down on the end of the hook.

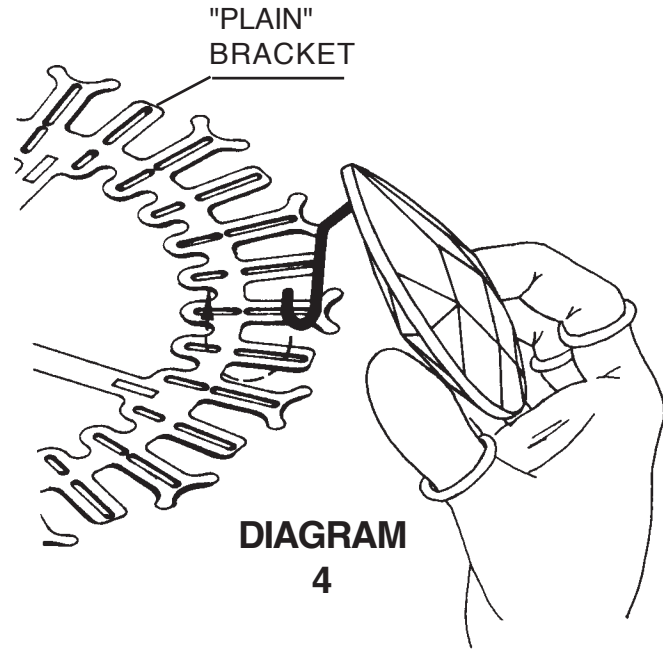
Crystal "Q" were shipped assembled, ready to be installed. One of the hooks may come loose during cleaning. Tighten the nut with wrench.

NOTE: Hold the wire in position and do NOT hold the crystal!

If any of the crystals should need replacing, the reference number **MUST** be used. The new crystal can be replaced in the same manner as tightening a loose crystal.



Installation of Crystal "D" and "G"

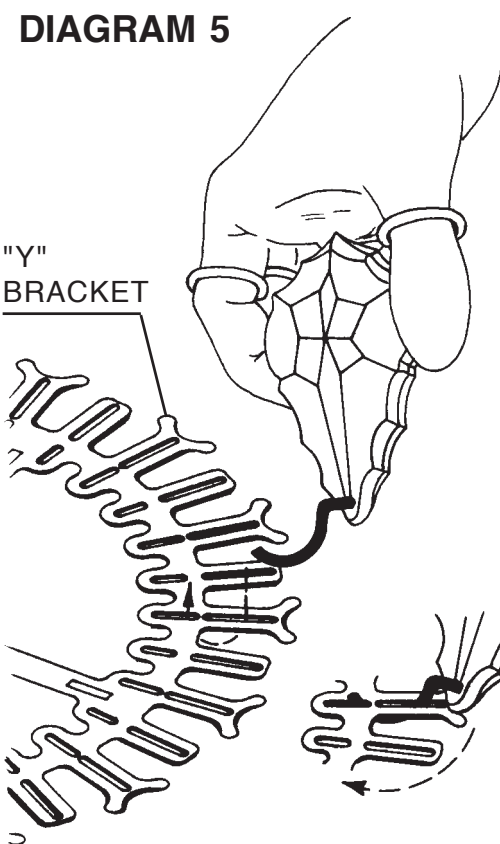


Position the crystal above the "plain" bracket so that the end of the hook enters the slot, gently push toward the center of the fixture and raise the crystal making sure that the end of the hook comes up through the inner slot, in line with the outer slot.

With the hook in the bracket, as shown, pivot the crystal downwards so that the hook rests in the end of the outer slot.

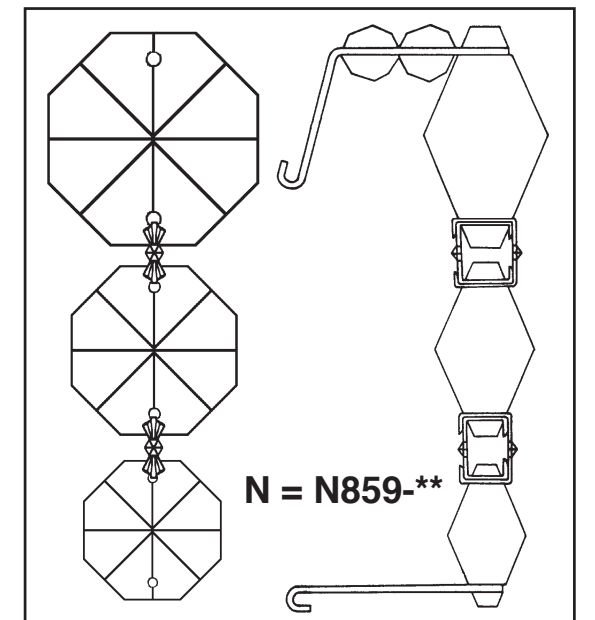
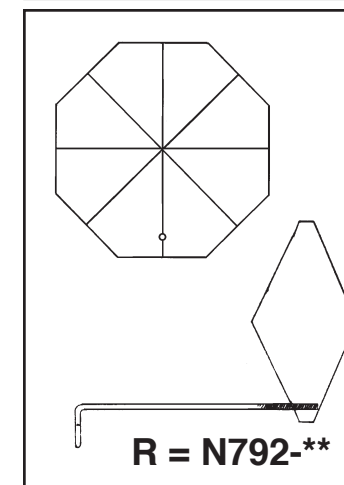
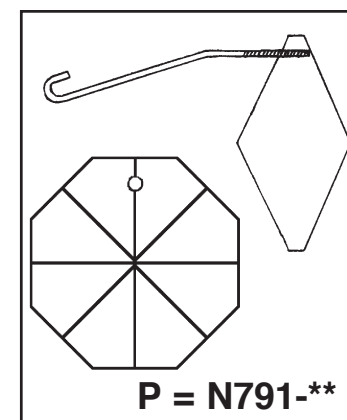
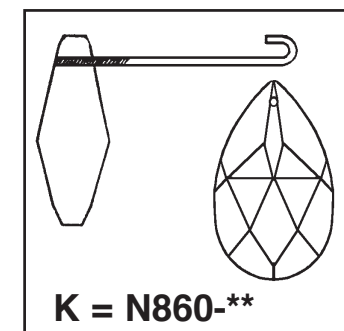
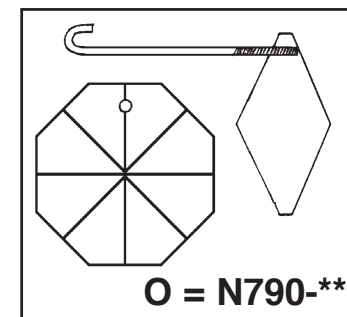
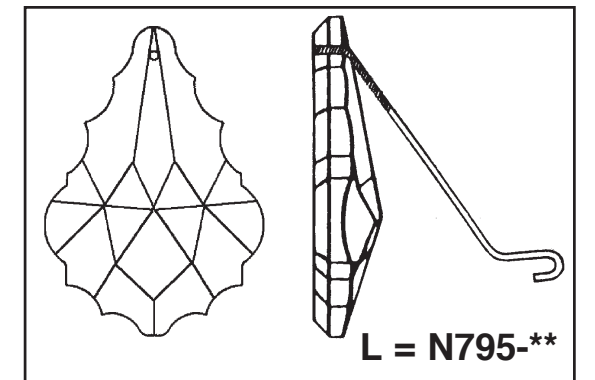
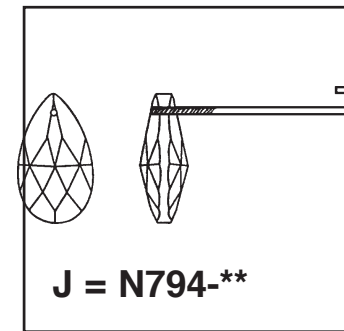
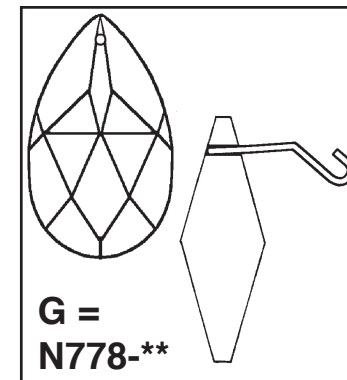
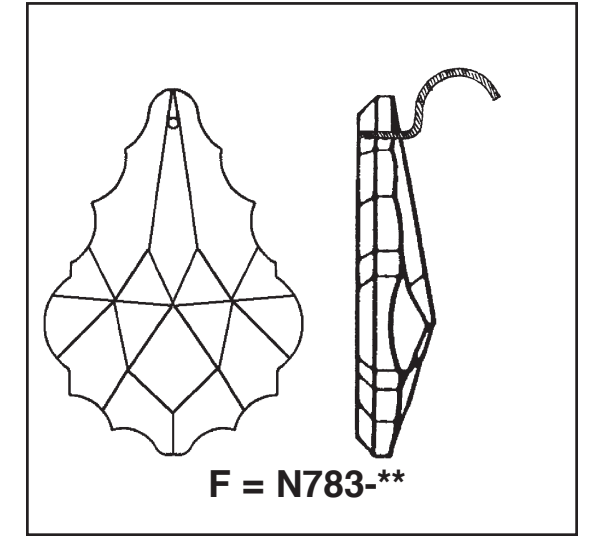
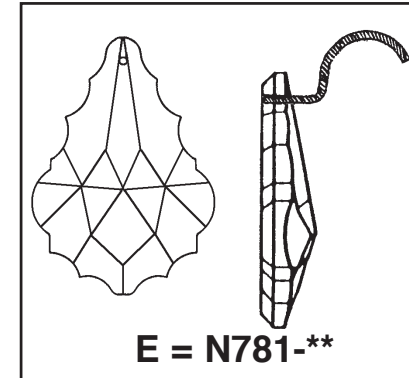
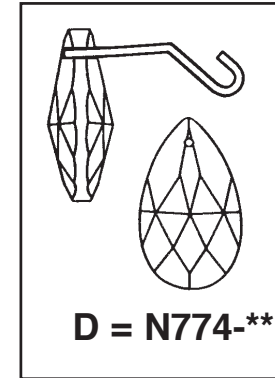
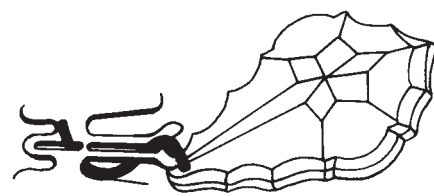


Installation of Crystal "E" and "F"



Position the crystal above the "Y" bracket so that the end of the hook enters the long slot, gently push toward the center of the fixture and raise the crystal making sure that the end of the hook comes up through the short slot, in line with the long slot.

With the hook in the bracket, as shown, pivot the crystal downwards so that the hook rests in the end of the long slot.





7

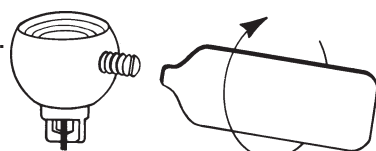
You will need 24 - B10
25 Watts Recommended
60 Watts Max

Install bulbs and be sure
to test fixture **BEFORE**
trimming.

8 Carefully remove packing material protecting Chains "A". Hook Chains "B" into ring 3. Hook Crystals "C" into ring 5.

9 Hook Crystal "D" into the "plain" bracket of ring 1. See diagram 4 on page 6. Hook Crystal "G" into the "plain" bracket of ring 2 and ring 4. See diagram 4 on page 6. Hook small Crystal "E" into every second "Y" bracket of ring 1, 2 and 4. See diagram 5 on page 6. Hook large Crystal "F" into the remaining "Y" brackets on the ring 1, 2 and 4. See diagram 5 on page 6.

10 Screw Ball "H" onto the bottom of the frame. Tighten set screw with supplied tool to lock ball into position.



11 Hook Crystal "J" into the holes of the inner ring 6. Hook Crystal "K" into the holes of ring 7.

12 Hook Crystal "L" into the holes of ring 8. Hook the remaining Crystal "L" into the holes of ring 9 so that they hang between Crystal "L" of ring 8 and in line with Crystals "K" of ring 7. Hook Crystal "K" into the remaining holes of ring 9, between Crystal "L".

13 Hook Crystal "M" into the holes of ring 11. Hook Crystal "M" into the small brackets located beneath the large outer ring, ring 12.

14 Insert bent wires of the large jewels of Crystals "N" into the horizontal brackets on ring 12. See diagram 1 for locations and diagram 6 on page 7 for detailed instructions. Hook the other end of the crystal into the slots of ring 10. Hook Crystal "O" into the remaining horizontal brackets of ring 12. See diagram 1 for locations and diagram 6 on page 7 for detailed instructions.

15 Hook Crystal "P" into the angled upwards brackets of ring 12. See diagram 1 for locations and diagram 6 on page 7 for detailed instructions.

16 Remove the knurled knobs attached to screws on the inside of the outer ring 12. Attach Crystal "Q" directly above Crystal "P" and tighten with knurled knob. See diagram 1 for locations and diagram 2 for detailed instructions. Attach Crystal "R" directly above Crystal "N" and tighten with knurled knob. See diagram 1 for locations and diagram 3 for detailed instructions.

