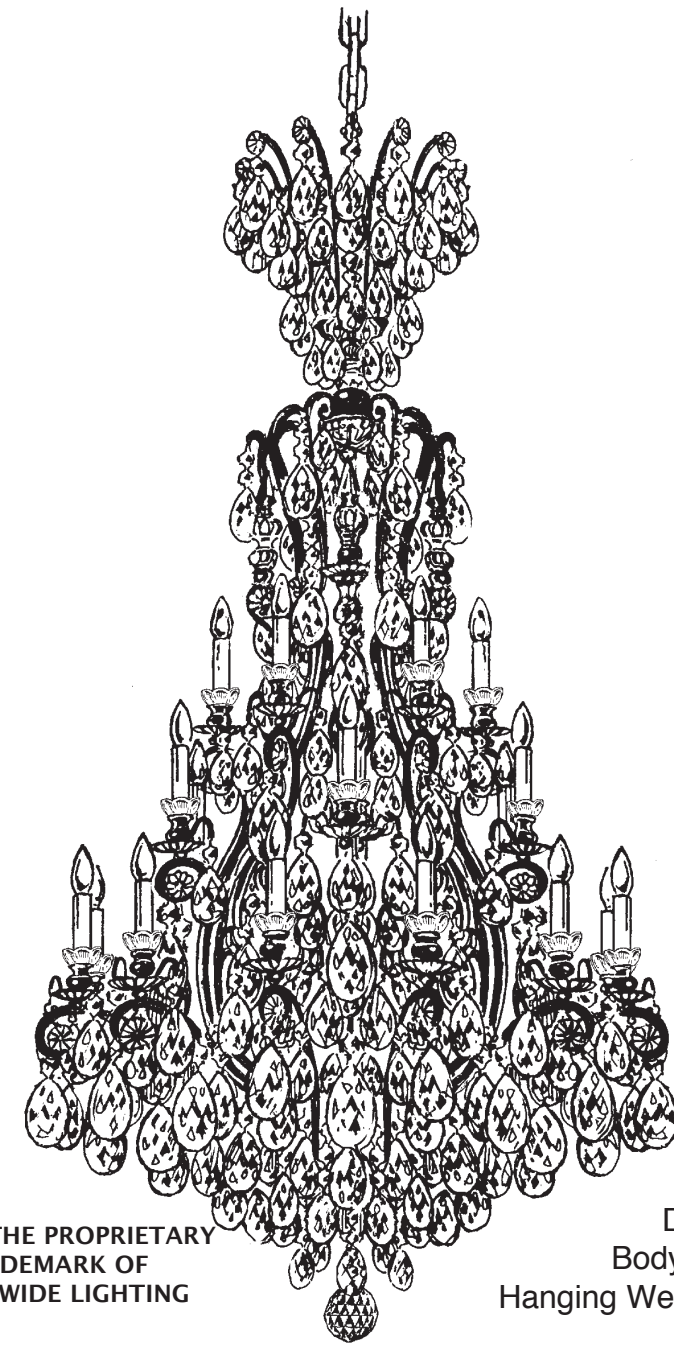


SCHONBEK®

CHANDELIER 3783- _____ (Finish Option) (Trim Option) TRIM DIAGRAM



THIS DESIGN IS THE PROPRIETARY
TRADE DRESS/TRADEMARK OF
SCHONBEK WORLDWIDE LIGHTING
INC.

24 + 1 Lights
Diameter: 36"
Body Length: 72"
Hanging Weight: 124 lbs.

SCHONBEK®

**Follow steps in exact order
Save this trim diagram for future reference**

1

IMPORTANT

Person who opens carton should record the following information for future service.

CODE # _____ Four-digit number on outside of carton.
PACKER # _____ See crystal package label.
ORDER # _____ See crystal package label.

SCHONBEK IS A WORLD LEADER IN CHANDELIER DESIGN. PATENTS INCLUDE:
#D5,222,805

Instructions for electrician

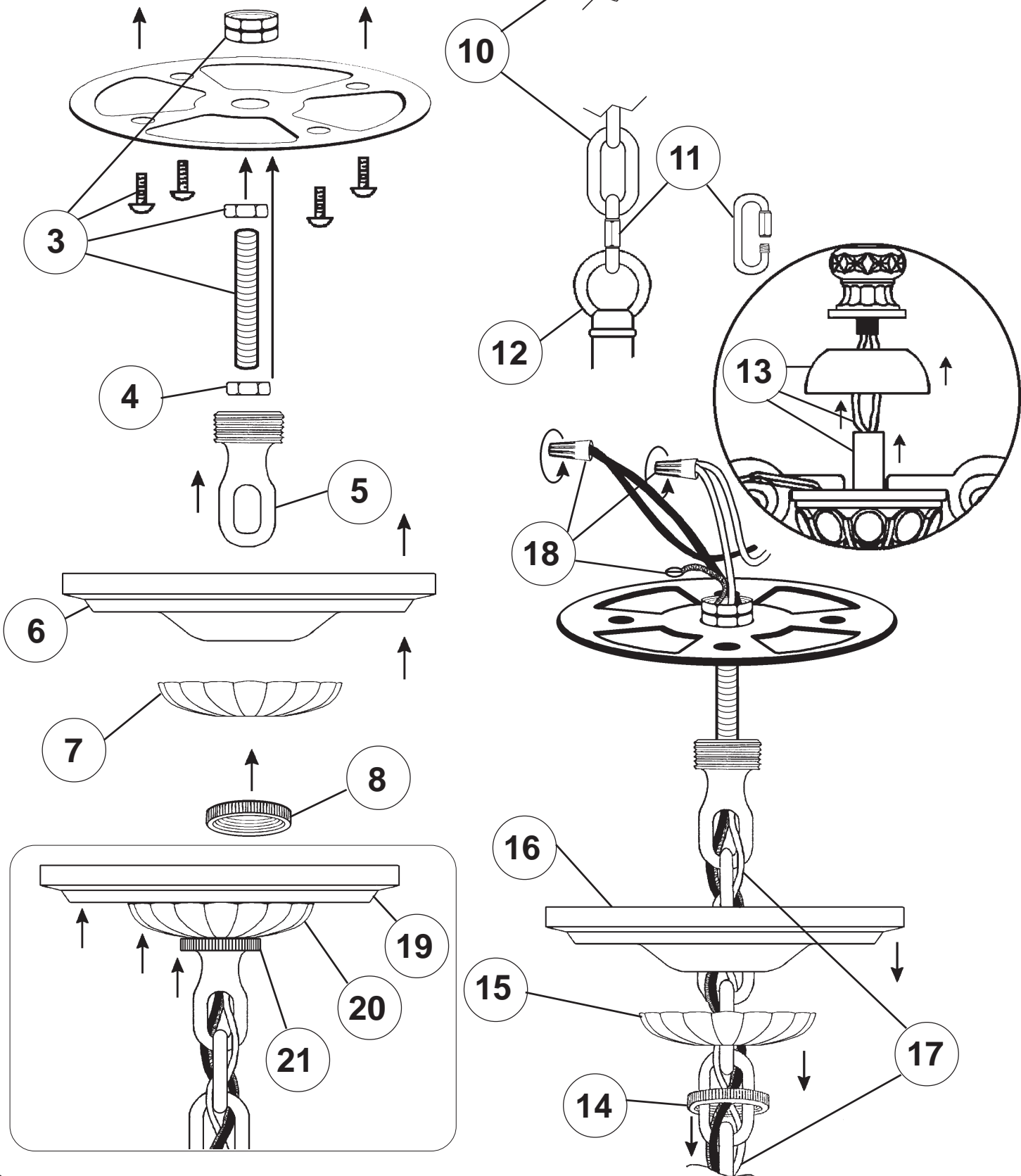
STEPS 2 - 21

WARNING: THIS LUMINAIRE MUST BE MOUNTED OR SUPPORTED INDEPENDENTLY OF AN OUTLET BOX.

2 **WARNING:**

Electrical Danger Turn Power Off

All electrical components must be installed by a licensed electrician in accordance with the National Electric Code and the appropriate local electrical codes.



SET #1

N4007-** 3-1/2" 89mm	N4010-** 3" 76mm	N4018-** 2-1/2" 63mm	N4020-** 3" 76mm
-----------------------------------	-------------------------------	-----------------------------------	-------------------------------

SET #2

N4007-** 3-1/2" 89mm	N4010-** 3" 76mm	N4020-** 3" 76mm
-----------------------------------	-------------------------------	-------------------------------

SET #3

N4002-** 3-1/2" 89mm	N4003-** 2-1/2" 63mm	N4007-** 3-1/2" 89mm	N4010-** 3" 76mm	N4015-** 2-1/2" 63mm	N4018-** 2-1/2" 63mm	N4020-** 3" 76mm	N4042-** 3-1/2" 89mm	N4043-** 2" 50mm	N4044-** 2" 50mm
-----------------------------------	-----------------------------------	-----------------------------------	-------------------------------	-----------------------------------	-----------------------------------	-------------------------------	-----------------------------------	-------------------------------	-------------------------------

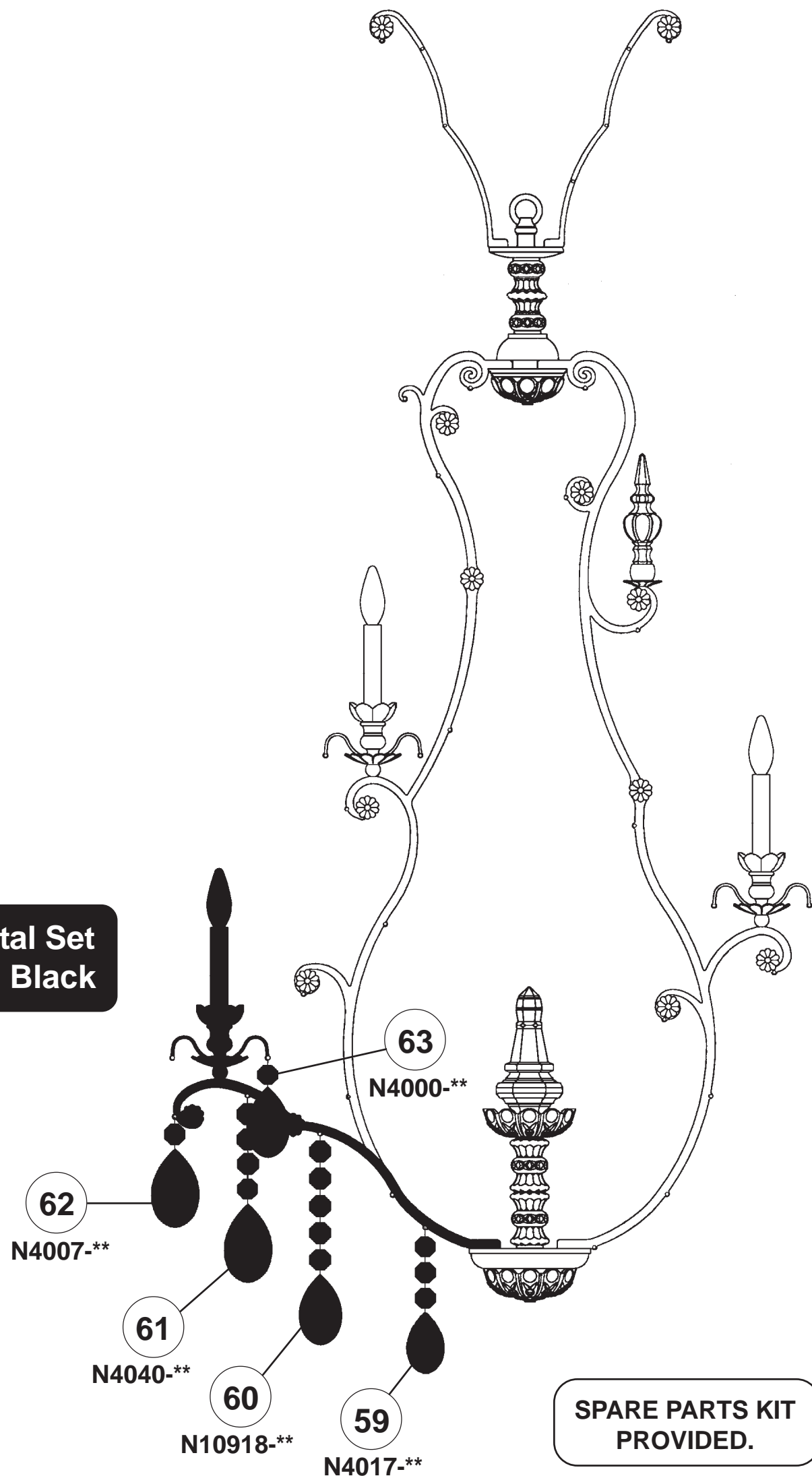
SET #4

N10778-** 2" 50mm	N4002-** 3-1/2" 89mm	N4003-** 2-1/2" 63mm	N4010-** 3" 76mm	N4018-** 2-1/2" 63mm	N4041-** 2-1/2" 63mm	N4044-** 2" 50mm	N4045-** 2" 50mm
--------------------------------	-----------------------------------	-----------------------------------	-------------------------------	-----------------------------------	-----------------------------------	-------------------------------	-------------------------------

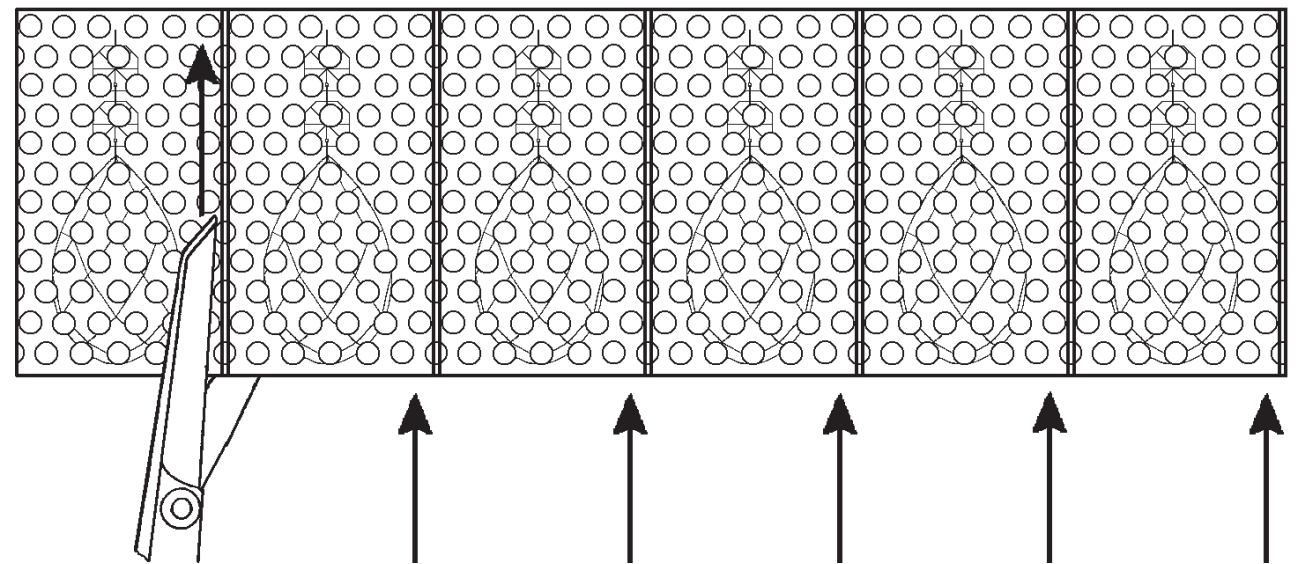
SET #5

N10918-** 3" 76mm	N4000-** 3" 76mm	N4007-** 3-1/2" 89mm	N4017-** 2-1/2" 63mm	N4040-** 3-1/2" 89mm
--------------------------------	-------------------------------	-----------------------------------	-----------------------------------	-----------------------------------

**Crystal Set
#5 in Black**

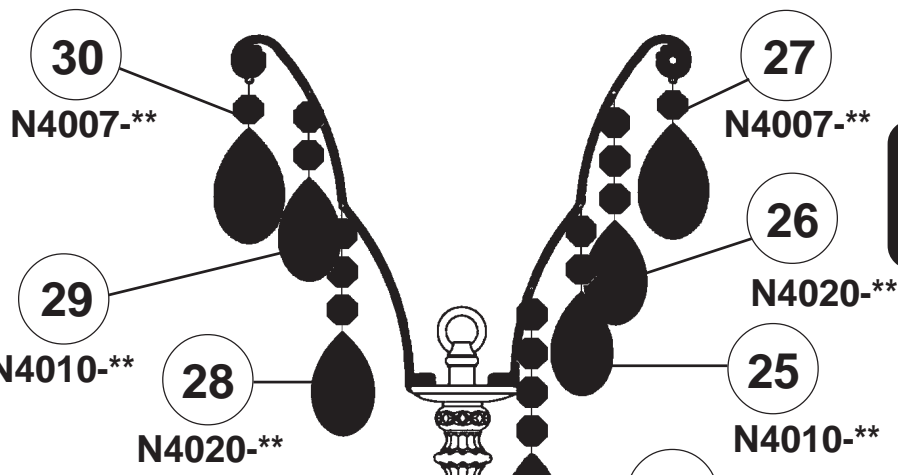


**For easy removal of crystal
from bubble pack, please cut
along pouches on the inside of
the seam. Gently remove crystal
from the
side of the pouch.**



**NOTE: Work on one
crystal set at a time.
Follow the black line
from top to bottom
according to the
numbered steps on the
trim diagram.**

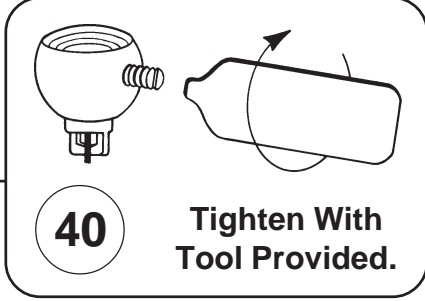
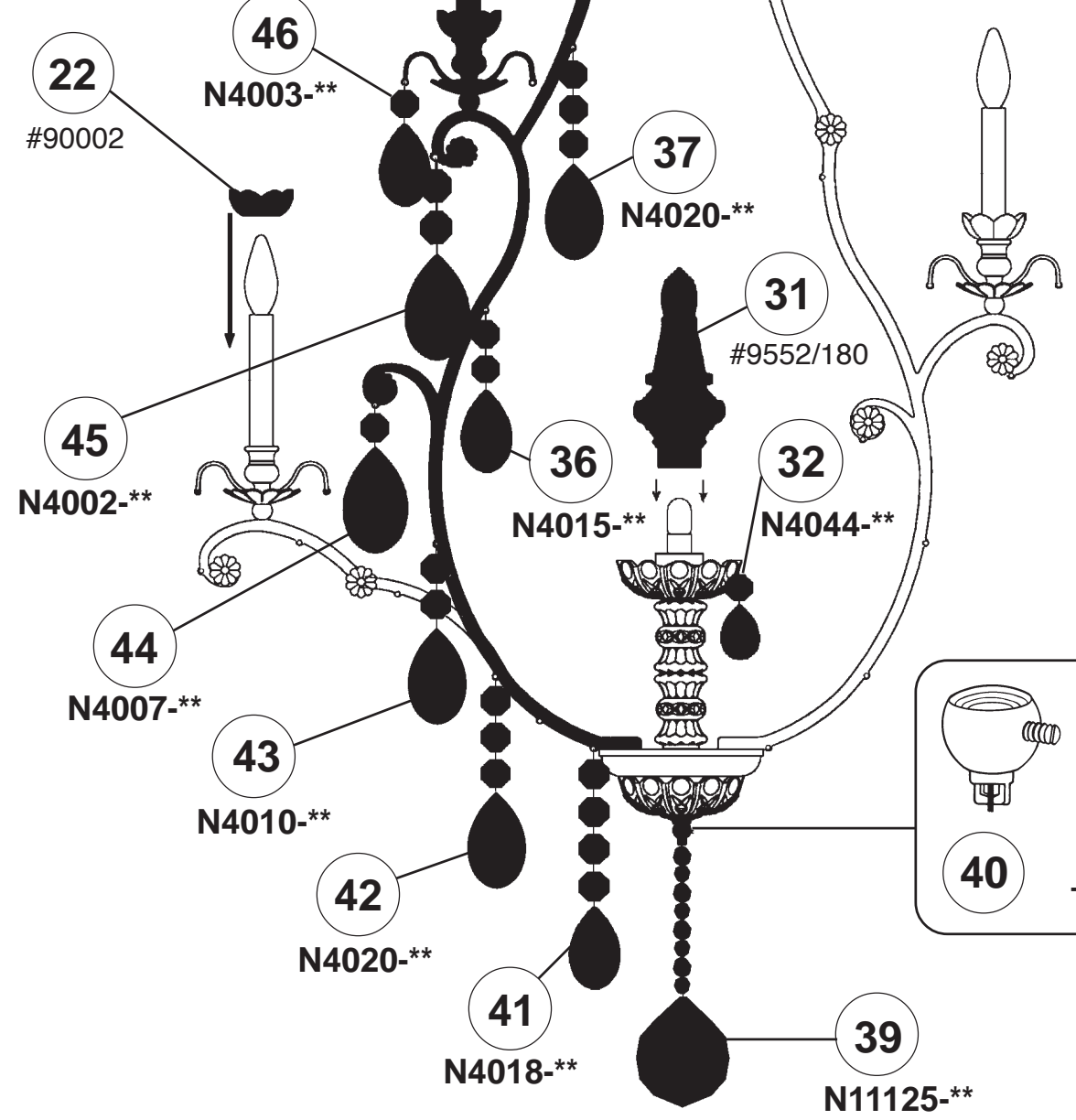
**Crystal Set
#2 in Black**



**Crystal Set
#1 in Black**

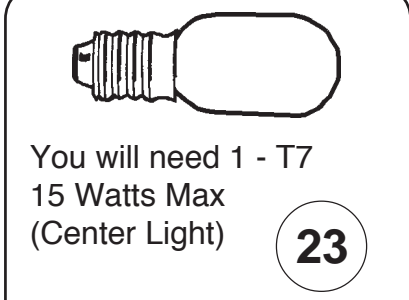


**Crystal Set
#3 in Black**

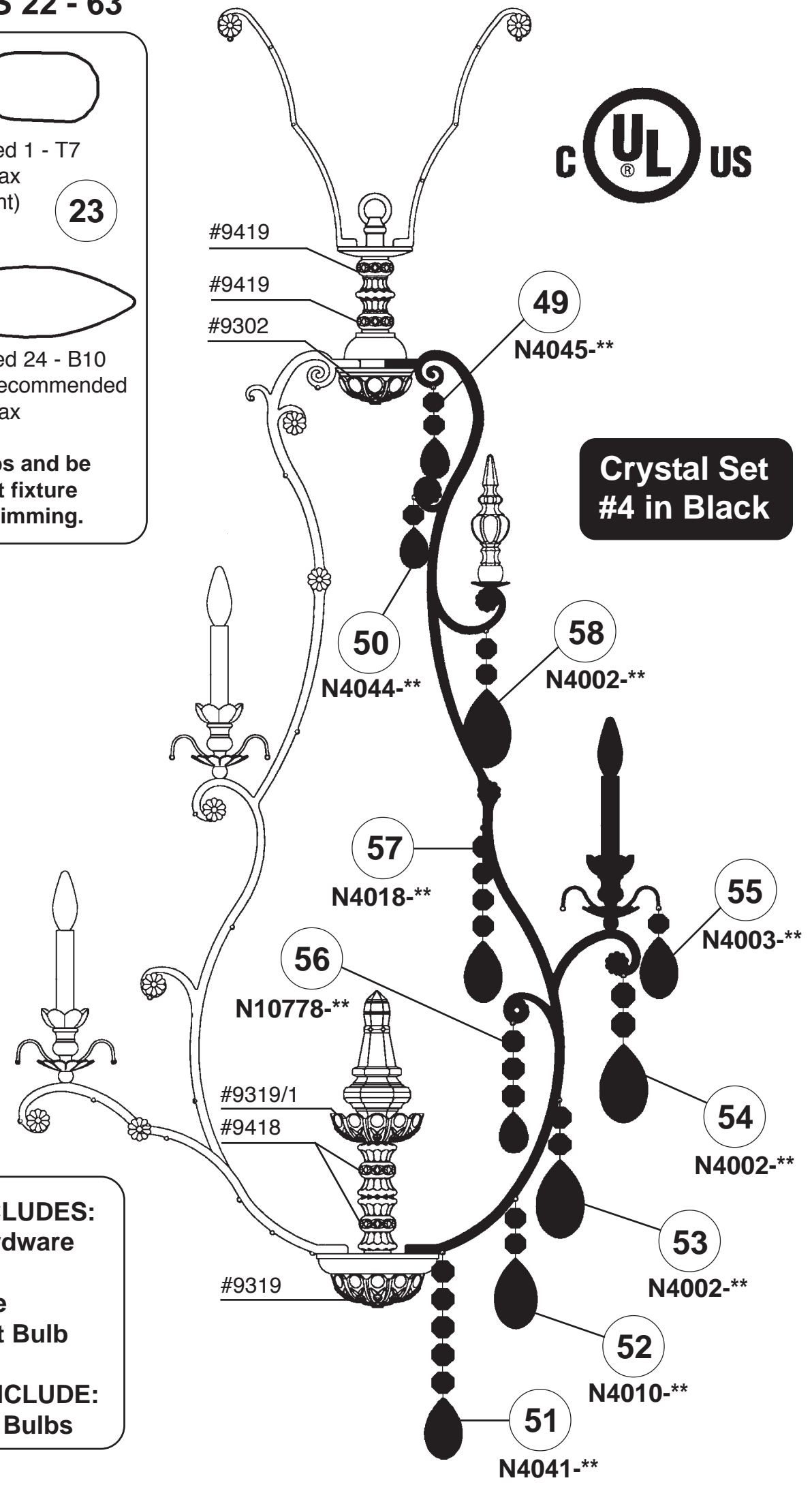


Instructions for crystal trimming

STEPS 22 - 63



**Crystal Set
#4 in Black**



FIXTURE INCLUDES:
Hanger Hardware
Trim
Frame
1 - T7 Light Bulb

DOES NOT INCLUDE:
B10 - Light Bulbs