



T&S BRASS AND BRONZE WORKS, INC.

2 Saddleback Cove / P.O. Box 1088
Travelers Rest, SC 29690

Model No.

B-0200-LN

Item No.

Travelers Rest, SC: 800-476-4103 • Simi Valley, CA: 800-423-0150 • Fax: 864-834-3518 • www.tsbrass.com



ADA Compliant

This Space for Architect/Engineer Approval

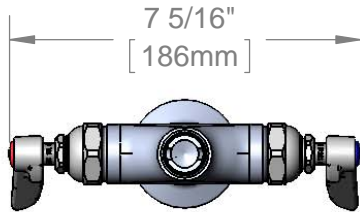
Job Name _____ Date _____

Model Specified _____ Quantity _____

Customer/Wholesaler _____

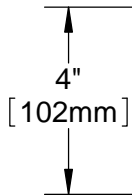
Contractor _____

Architect/Engineer _____



Swivel Outlet Accepts Standard T&S Swing Nozzles

Eterna Cartridges & Lever Handles w/ Color Coded Indexes



Mounting Surface

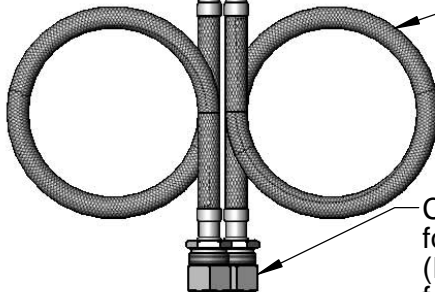


2 5/16" [58mm]

Ø 2 1/4" [57mm] Flange w/
Ø 1 1/8" [29mm] Shank

18" Flexible Stainless Steel Supply Hoses

1 3/8" [35mm] Maximum Thickness



Compression Fittings for 5/8" O.D. Copper Tubing (Remove Compression Nut for 1/2" NPSM Male)

Rough-In Requirement:
Ø 1 1/2" [38mm] Mounting Hole

Product Specifications:

Single Hole Deck Mount Mixing Faucet, Eterna Cartridges, Lever Handles & 18" Flexible Stainless Steel Supply Hoses w/ 1/2" NPT Male Inlet, Less Nozzle

Product Compliance:

ASME A112.18.1 / CSA B125.1
NSF 61 - Section 9
NSF 372 (Low Lead Content)
ANSI A117.1 (ADA)

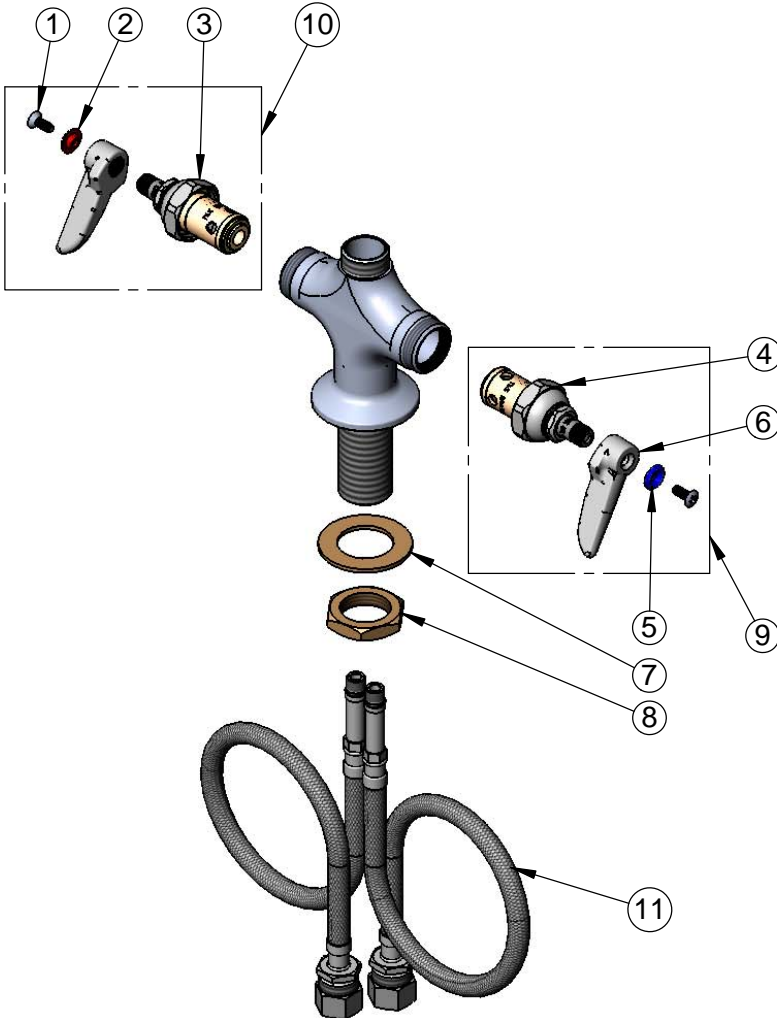


T&S BRASS AND BRONZE WORKS, INC.
 2 Saddleback Cove / P.O. Box 1088
 Travelers Rest, SC 29690

Model No.
B-0200-LN
 Item No.

Travelers Rest, SC: 800-476-4103 • Simi Valley, CA: 800-423-0150 • Fax: 864-834-3518 • www.tsbrass.com

ITEM NO.	SALES NO.	DESCRIPTION
1	000922-45	Lever Handle Screw
2	001661-45	Red Index-HW
3	005960-40	Eterna Cartridge, RTC
4	005959-40	Eterna Cartridge, LTC
5	001660-45	Blue Index-CW
6	001638-45	Lever Handle
7	002290-45	Lock Washer
8	000965-45	Lock Nut
9	002713-40	Eterna Cartridge LTC w/ Handle, Index & Screw
10	002714-40	Eterna Cartridge RTC w/ Handle, Index & Screw
11	012534-45	18" Flexible Supply Hose (2)



Product Specifications:
 Single Hole Deck Mount Mixing Faucet, Eterna Cartridges, Lever Handles &
 18" Flexible Stainless Steel Supply Hoses w/ 1/2" NPT Male Inlet, Less Nozzle

Product Compliance:
 ASME A112.18.1 / CSA B125.1
 NSF 61 - Section 9
 NSF 372 (Low Lead Content)
 ANSI A117.1 (ADA)