



Your Solutions Partner

Specifications

F.O.B Sedalia, Missouri 65301



TEHF-46PG
(shown with optional foodshield)

OPTIONS:

- 14 gauge tops
- Internal locking devices
- Individual drain valves
- No drains
- Recessed top to hold - 18" x 26" sheet pans, 1" deep
- Three phase wiring
- Electric heat in base module
- Foodshields
- Workshelves
- Trayslides
- Food pans - See Top Equipment in Price Book
- Sliding/Hinged doors
- 8' or 10' cord and plug
- Veneered plastic laminate panels on body
- Powder coat paint colors
- 6" adjustable legs in lieu of casters
- Kickplates s/s or p/g

AGENCY LISTINGS:



DUKE MANUFACTURING CO.
2305 N. Broadway
St. Louis, MO 63102

800.735.3853 Toll Free
314.231.1130 In Missouri
314.231.5074 Fax
www.dukemfg.com

Approval Stamp(s):

PRODUCT INFORMATION:

PROJECT: _____

ITEM: _____

QUANTITY: _____

MODEL:

Thurmaduke Serving Systems - Hot Food Units - Electric

- TEHF-32** 32" length unit, 2 top openings
- TEHF-46** 46" length unit, 3 top openings
- TEHF-60** 60" length unit, 4 top openings
- TEHF-74** 74" length unit, 5 top openings
- TEHF-88** 88" length unit, 6 top openings

TOP:

- 16 gauge, 300 Series stainless steel
- Die-stamped openings - 11-7/8" x 19-7/8"

HEAT COMPARTMENTS:

- Die-stamped openings, raised beaded edges
- Seamless, fully coved, stainless wells, 6-1/2" deep
- Controls mounted below top on operator's side
- Heating element beneath each well
- 120, 208 or 240 volt (must choose one)
- Robertshaw thermostat, with indicator light
- Wired to master toggle switch w/indicator light
- 6' cord and plug
- Sealed wells with drains copper manifolded to valve

BODY:

- Choice of (12) powder coat paint colors (must choose one):

| | |
|---|--|
| <input type="checkbox"/> #217105 - Designer White | <input type="checkbox"/> #217103 - Natural Almond |
| <input type="checkbox"/> #217150 - Orange Red | <input type="checkbox"/> #217154 - Racing Red |
| <input type="checkbox"/> #217107 - Hollyberry Red | <input type="checkbox"/> #217120 - Sky Blue |
| <input type="checkbox"/> #217127 - Fence Green | <input type="checkbox"/> #217152 - Stone Gray |
| <input type="checkbox"/> #217102 - Duke Silver | <input type="checkbox"/> #217113 - Brown Kickplate |
| <input type="checkbox"/> #217101 - Semi-Gloss Black | <input type="checkbox"/> #217125 - Textured Black |
- Stainless steel body
 - Operator's side open to bottom shelf
 - Customer side and ends fully enclosed
 - Bottom shelf paint grip or stainless steel to match body
 - Recessed stainless steel dish shelf

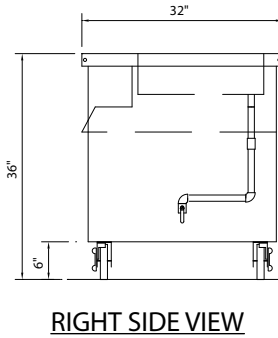
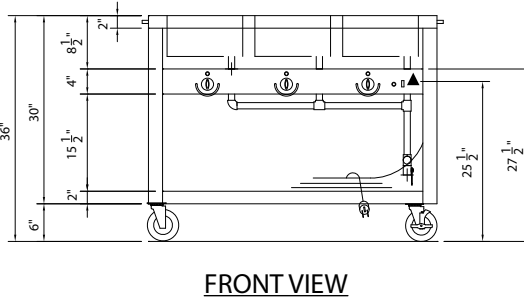
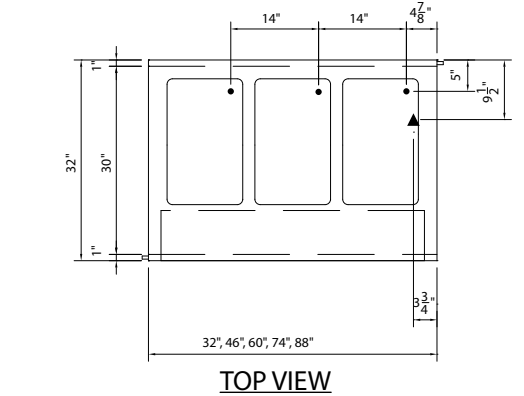
SHORT FORM SPECIFICATIONS:

Thurmaduke Serving Systems - Hot Food - Electric. Top shall be 16ga, 300 series Stainless Steel flanged down edges, flush at ends, 20ga s/s body open at operator side with 15-1/2" opening for storage w/ recessed dish shelf standard, Pan openings to be 11-7/8" x 19-7/8" x 6-1/4" deep, die-stamped, drains, copper manifolds, one valve, Robertshaw thermostats, unit wired to master toggle w/ indicator, 5" dia. NSF approved swivel casters, 2 w/ locks, 6' cord & plug. (Note: Spillage pans will NOT fit in sealed well openings)



**THURMADUKE SERVING SYSTEMS
HOT FOOD UNITS - ELECTRIC**

- ☐ **TEHF-32** 32" length unit, 2 top openings
- ☐ **TEHF-46** 46" length unit, 3 top openings
- ☐ **TEHF-60** 60" length unit, 4 top openings
- ☐ **TEHF-74** 74" length unit, 5 top openings
- ☐ **TEHF-88** 88" length unit, 6 top openings



| LEGEND | |
|---------------|---|
| ▲ | ELECTRICAL CONNECTION |
| ● | DRAIN LOCATION - 3/4" brass, male thread, pop out screen, copper manifolds and brass master valve |

DIMENSIONS:

Freight Class: 150

| Model | Length | | Width | | Height | | Cube ft. crated | Weight | | Top Openings |
|----------------|--------|-------|-------|------|--------|------|-----------------|--------|-------|--------------|
| | in | cm | in | cm | in | cm | | lbs | kg | |
| TEHF-32 | 32 | 81.3 | 32 | 81.3 | 36 | 91.4 | 34.8 | 253 | 115.0 | 2 |
| TEHF-46 | 46 | 116.8 | 32 | 81.3 | 36 | 91.4 | 47.7 | 327 | 148.6 | 3 |
| TEHF-60 | 60 | 152.4 | 32 | 81.3 | 36 | 91.4 | 60.5 | 400 | 181.8 | 4 |
| TEHF-74 | 74 | 188.0 | 32 | 81.3 | 36 | 91.4 | 73.3 | 482 | 219.1 | 5 |
| TEHF-88 | 88 | 223.5 | 32 | 81.3 | 36 | 91.4 | 86.2 | 595 | 270.5 | 6 |

ELECTRICAL SPECIFICATIONS: *CONTACT FACTORY: Electric values & plug configurations change for 3 phase or when adding electric options.*

| Model | 120 Volt - 750 watt elements | | | 208 Volt - 900 watt elements | | | 240 Volt - 1200 watt elements | | |
|----------------|------------------------------|------|-------|------------------------------|------|-------|-------------------------------|------|-------|
| | watts | amps | NEMA | watts | amps | NEMA | watts | amps | NEMA |
| TEHF-32 | 1500 | 12.5 | 5-15 | 1800 | 8.7 | 6-20 | 2400 | 10.0 | 6-20 |
| TEHF-46 | 2250 | 18.8 | L5-30 | 2700 | 13.0 | 6-20 | 3600 | 15.0 | 6-20 |
| TEHF-60 | 3000 | 25.0 | 5-50 | 3600 | 17.3 | L6-30 | 4800 | 20.0 | L6-30 |
| TEHF-74 | 3750 | 31.3 | 5-50 | 4500 | 21.6 | L6-30 | 6000 | 25.0 | 6-50 |
| TEHF-88 | 4500 | 37.5 | 5-50 | 5400 | 26.0 | 6-50 | 7200 | 30.0 | 6-50 |



DUKE MANUFACTURING CO.

2305 N. Broadway
St. Louis, MO 63102

800.735.3853 Toll Free
800.231.1130 In Missouri
314.231.5074 Fax
www.dukemfg.com

Specification subject to change