

PROJECT \_\_\_\_\_  
ITEM NO \_\_\_\_\_  
QUANTITY \_\_\_\_\_

# 16 oz Correctional Tumbler

## ENHANCED DURABILITY

Correctional tumblers are made from a specially blended, stain-resistant, copolymer plastic or polycarbonate. The tumbler is designed to be incredibly strong and will provide years of use in even the toughest correctional facilities

## STURDY DESIGN

Rim and base are thick walled for increased durability.

## HIGH QUALITY MATERIAL

Proprietary blend of copolymer resists food stains.

Durable translucent polycarbonate is break-resistant.

## IMPROVED PORTION CONTROL

Thick-walled durability and cost-effective pricing make these break-resistant polycarbonate and flexible copolymer tumblers perfect for prison mealtime.

And now they're available in a big 16 oz. capacity.

Textured surface hides scratches well. They are easy to clean and dishwasher safe. Designed for easy stacking and separation. 48 per case.

## DISHWASHER SAFE

Withstands harsh chemicals and high temperatures making it safe for dishwashing

## MICROWAVE SAFE

Copolymer and polycarbonate tumbler will not melt or lose shape in microwave.

## TEMPERATURE RANGE

Temperature rating of -40°F to 248°F

## WARRANTY

1 year "No Questions Asked" warranty against manufacturing defects

## COLORS

Available in 3 colors

Copolymer in Orange

Polycarbonate in Clear, Blue

## PACKAGE

48 per case

## MODEL #'S

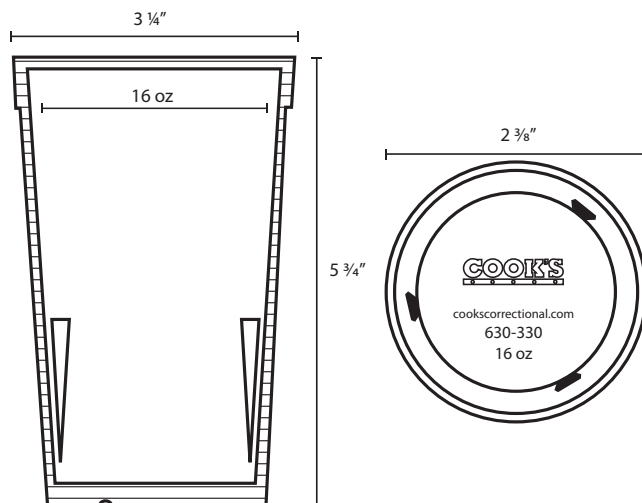
**630-330N** Orange 16 oz Copolymer Tumbler

**630-330C** Clear 16 oz Polycarbonate Tumbler

**630-330BL** Blue 16 oz Polycarbonate Tumbler

## MANUFACTURER

Cook's Brand



**COOK'S**

27725 DIEHL ROAD  
WARRENVILLE, IL 60555

P 800-956-5571

F 800-956-6822