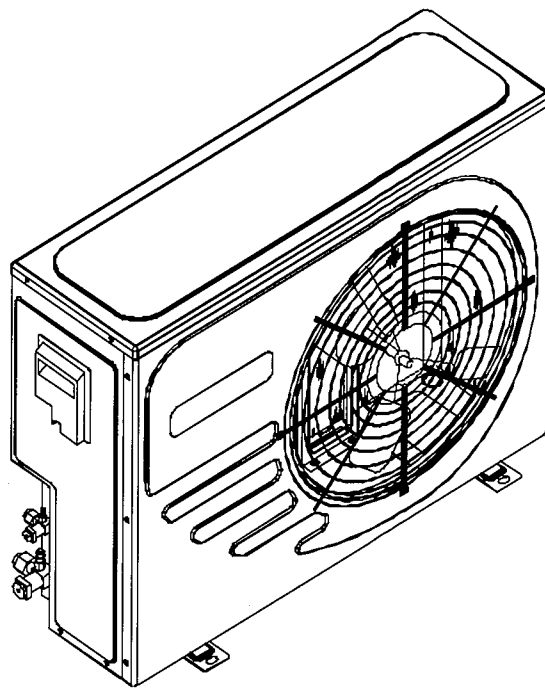




REPAIR PARTS

HDC*B Series Horizontal Discharge Condensing Units, Gray Color Models

HDC12-1B
HDC18-1B
HDC24-1B



RP - 326
September 2004

Made in the USA by:
Goodman Manufacturing Company, L.P.
2550 North Loop West, Suite 400
Houston Texas 77092

Important Information

Goodman Manufacturing Company, L.P. is not responsible for personal injury or property damage resulting from improper service. Review all service information before beginning repairs.

Warranty service must be performed by an authorized technician, using authorized factory parts. If service is required after the warranty expires, Goodman Manufacturing Company, L.P. also recommends contacting an authorized technician and using authorized factory parts.

For assistance within the U.S.A. contact:
Consumer Affairs Department
Goodman Manufacturing Company, L.P.
7401 Security Way
Houston, Texas 77040
877-254-4729-Telephone
713-863-2382-Facsimile

For assistance outside the U.S.A. contact:
International Division
Goodman Manufacturing Company, L.P.
7401 Security Way
Houston, Texas 77040
713-861-2500-Telephone
713-863-2382-Facsimile

Index

Functional Parts List	5
Illustration and Parts	6 - 7

Views shown are for parts illustrations only, not servicing procedures.

Text Codes:

AR - As Required

NA - Not Available

NS - Not Shown

00000000 - See Note

QTY - Quantity Example (QTY 3) (If Quantity not shown, Quantity = 1)

M - Model Example (M1) (If M Code not shown, then part is used on all Models)

Expanded Model Nomenclature:

Example M1 - Model#1 M2 - Model#2 M3 - Model#3

This page left blank intentionally.

Functional Parts

Part

No: Description:

B1219217	BI-FLOW DRIER, COPPER 1" OD
B94576000	CAPACITOR, DUAL-SECTION, 25/5/370 (M1)
B94578700	CAPACITOR, DUAL-SECTION, 30/5/370 (M2)
B94575300	CAPACITOR, DUAL-SECTION, 35/5/370 (M3)
B9266818	COMPRESSOR, 208/230-60-1, BRISTOL H29B20UABCB (M2)
B9266816	COMPRESSOR, 208/230-60-1, BRISTOL H29B24UABCB (M3)
B9266724S	COMPRESSOR, 208/230-60-1, TECUMSEH #RK5513E (M1)
1262123	CRATED COND. SERVICE COIL W/DRIER (M2, M3)
1262122	CRATED COND. SERVICE COIL W/DRIER (M1)
B1086759	FAN, CONDENSER, 3 BLADE, 22° PITCH, 18" DIA. REVCOR #T1803-22 (M2, M3)
B1086758	FAN, CONDENSER, 3 BLADE, 24° PITCH, 16" DIA. REVCOR #T1603-24 (M1)
B13400701	MOTOR, 208/230-60-1, 1 SPD, 900 RPM, 1/15 HP

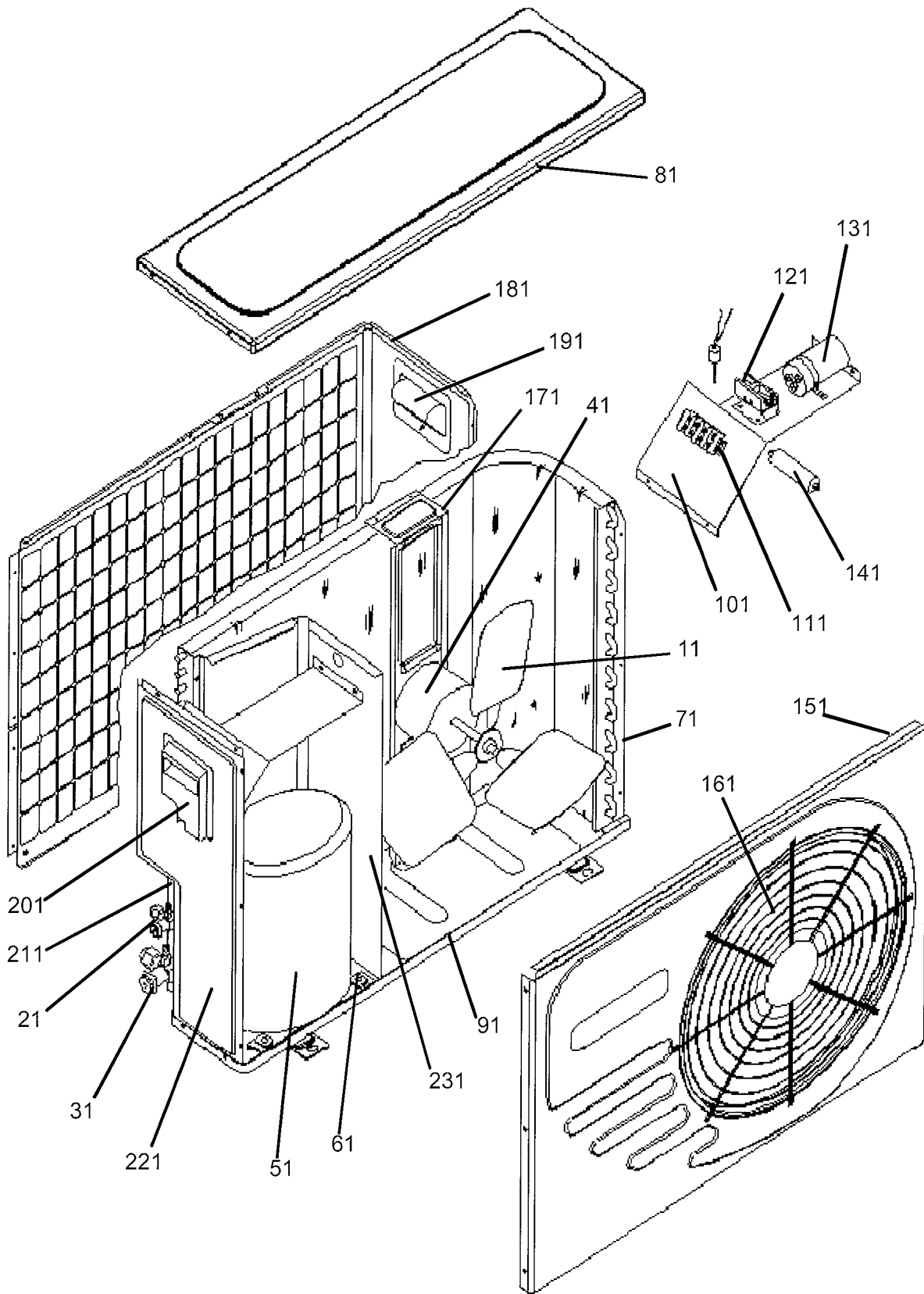
SPECIAL PARTS

IO-12	INSTALLTION AND OPERATION MANUAL
B260S8292	PAINT, SPRAY (DARK GRAY)
RP-210	REPAIR PART MANUAL

Expanded Model Nomenclature

M1 - HDC12-1B
M2 - HDC18-1B
M3 - HDC24-1B

HDC Components



HDC Components

Ref. Part No:	No:	Description:	Ref. Part No:	No:	Description:
<i>Image 1:</i>					
11	B1086759	FAN, CONDENSER, 3 BLADE, 22° PITCH, 18" DIA.REVCOR #T1803-22 (M2, M3)			
11	B1086758	FAN, CONDENSER, 3 BLADE, 24° PITCH, 16" DIA. REVCOR #T1603-24 (M1)			
21	B1282555	VALVE, BASE, LIQUID LINE, 3/8", PISTON .045 (M1)			
21	B1282557	VALVE, BASE, LIQUID LINE, 3/8", PISTON .052 (M2)			
21	B1282558	VALVE, BASE, LIQUID LINE, 3/8", PISTON .055 (M3)			
31	B1282556	VALVE, BASE, SUCTION LINE, 5/8"			
41	B13400701	MOTOR, 208/230-60-1, 1 SPD, 900 RPM, 1/15 HP			
51	B9266818	COMPRESSOR, 208/230-60-1, BRISTOL H29B20UABCB (M2)			
51	B9266816	COMPRESSOR, 208/230-60-1, BRISTOL H29B24UABCB (M3)			
51	B9266724S	COMPRESSOR, 208/230-60-1, TECUMSEH #RK5513E (M1)			
61	B1339530	GROMMET, COMPRESSOR, BRISTOL (QTY 4) (M2, M3)			
61	B1339534	GROMMET, COMPRESSOR, TECUMSEH (QTY 3) (M1)			
71	1262122	CRATED COND. SERVICE COIL W/DRIER (M1)			
71	1262123	CRATED COND. SERVICE COIL W/DRIER (M2, M3)			
81	3150500PDG	PANEL, TOP			
91	3151200PDG	BOTTOM PAN ASSEMBLY			
101	3151100	PANEL, CONTROL MOUNTING			
111	B1368261	TERMINAL BLOCK, 4 POLE			
121	B1360322	CONTACTOR, 25 AMP, 125 LRA, 1 POLE, 208/240 V COIL			
131	B94576000	CAPACITOR, DUAL-SECTION, 25/5/370 (M1)			
131	B94578700	CAPACITOR, DUAL-SECTION, 30/5/370 (M2)			
131	B94575300	CAPACITOR, DUAL-SECTION, 35/5/370 (M3)			
141	B1219217	BI-FLOW DRIER, COPPER 1" OD			
151	3150300PDG	PANEL, FRONT, 20.0" (M1)			
151	3150301PDG	PANEL, FRONT, 25.0" (M2, M3)			
161	B1376910	GUARD, FAN, 16" DIA. (M1)			
161	B1376915	GUARD, FAN, 18" DIA. (M2, M3)			
171	3150803	BRACKET, FAN MOTOR, 20" (M1)			
171	3150804	BRACKET, FAN MOTOR, 25" (M2, M3)			
181	3150200PDG	PANEL, BACK GRILLE, 20" (M1)			
181	3150201PDG	PANEL, BACK GRILLE, 25" (M2, M3)			
191	B3175004	HANDLE, PLASTIC, RIGHT, BLACK			
201	B3175005	HANDLE, PLASTIC, LEFT, BLACK			
211	3150700PDG	BRACKET, VALVE			
221	3150100PDG	PANEL, COMPRESSOR END, 20" (M1)			
221	3150101PDG	PANEL, COMPRESSOR END, 25" (M2, M3)			
231	3150400	PANEL, PARTITION, 20" (M1)			
231	3150401	PANEL, PARTITION, 25" (M2, M3)			
241	B260S8292	PAINT, SPRAY (DARK GRAY)			

Expanded Model Nomenclature

M1 - HDC12-1B
M2 - HDC18-1B
M3 - HDC24-1B