



## TECHNICAL GUIDE

### SINGLE PIECE AIR HANDLERS FOR USE WITH SPLIT-SYSTEM COOLING & HEAT PUMPS MODELS: AHR18 THRU 60\*



Due to continuous product improvement, specifications are subject to change without notice.

Visit us on the web at:

[www.york.com](http://www.york.com)

Additional rating information can be found at:

[www.ahridirectory.org](http://www.ahridirectory.org)

#### WARRANTY

Standard 5-year limited parts warranty.

**Extended 10-year limited parts warranty when product is registered online within 90 days of purchase for replacement or closing for new home construction.**

## DESCRIPTION

This fan coil line offers the ultimate in application flexibility. The AHR (non-variable speed motor) models are shipped as upflow models, that can be installed in upflow, horizontal right or left without the need for additional field installed kits.

All JCI Unitary Products air handlers and coils use a TXV to provide our customers with the optimum performance and refrigerant control. Air handlers are shipped with "Flex-coils" without a factory installed metering device. For added flexibility, an R-22 or R-410A TXV or orifice can be field installed to meet your refrigerant choice.

## FEATURES

**Thermal Expansion Valve** - Provides the ultimate refrigerant control required for today's high efficient product. The UPG bolt-on TXV provides the added flexibility to convert the air handler to the required refrigerant. The UPG TXV is a true bolt-on which does not require brazing to replace or install.

**Insulated Cabinet** - All air handler cabinets are thermally insulated with 3/4" foil faced insulation to prevent sweating.

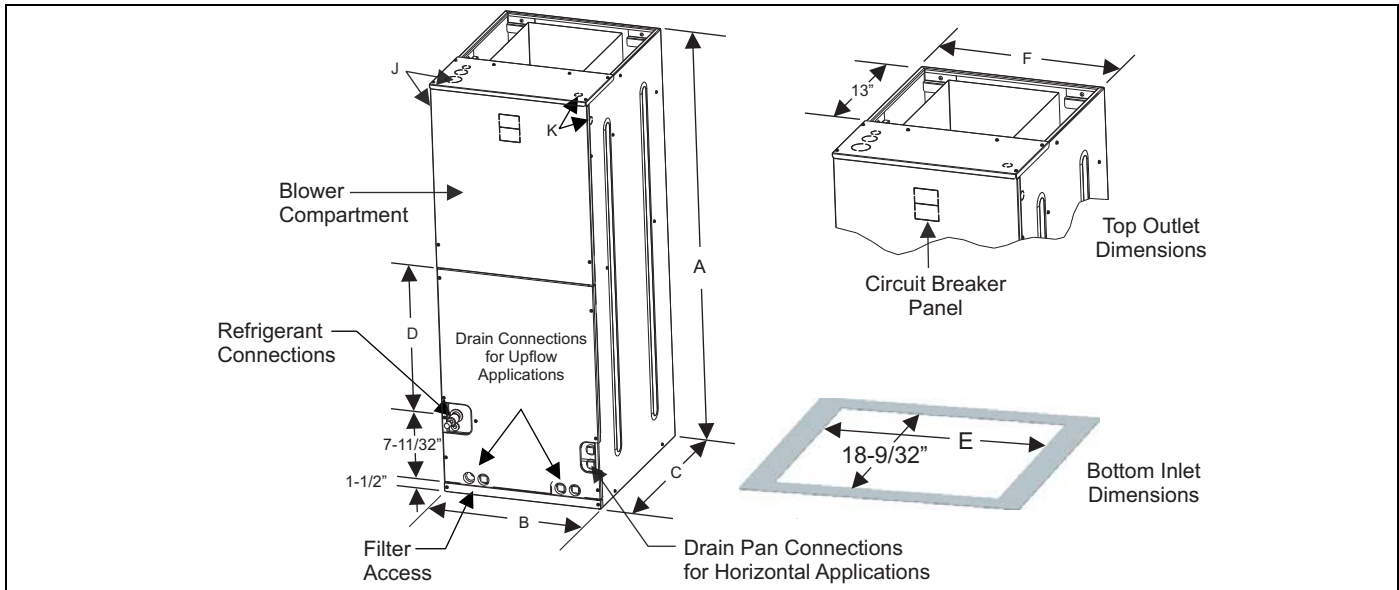
**Factory Sealed** - Achieves 2% or less total airflow leakage rate at duct blaster field test conditions for system airflow verification.

**Durable Finish Inside and Out** - Air handler casings are made of pre-painted galvanized steel which provides a better paint to steel bond that resists corrosion and rust creep. All internal coil sheet metal parts are made of G60 galvanized or prepainted G30 galvanized.

**Filters** - All models have internal filter racks provided for use with 1" thick standard size filters.

**Electric Heat Kits** - New 6HK series of field installed electric heat kits are available for installation friendly and easy service applications. These 6HK kits are unique to these new models.

DIMENSIONS & DUCT CONNECTION DIMENSIONS



Dimensions

Models	Dimensions						Wiring Knockouts		Refrigerant Connections Line Size	
	A	B	C	D	E	F	J	K	Liquid	Vapor
	Height	Width	Depth				Power	Control		
AHR18B3XH21	46"	17 1/2"	21 1/2"	16 1/2"	13-29/32"	16 1/2"	7/8" (1/2") <sup>1</sup> 1-3/8"(1") 1-23/32" (1-1/4")	7/8" (1/2")	3/8"	3/4"
AHR24B3XH21	46"	17 1/2"		16 1/2"	13-29/32"	16 1/2"				
AHR30B3XH21	46"	17 1/2"		16 1/2"	13-29/32"	16 1/2"				
AHR36B3XH21	46"	17 1/2"		16 1/2"	13-29/32"	16 1/2"				
AHR42C3XH21	52"	21"		21 1/2"	17-13/32"	20"				
AHR48D3XH21	57"	24 1/2"		26"	20-29/32"	23-1/2"				
AHR60D3XH21	57"	24 1/2"		26"	20-29/32"	23-1/2"			7/8"	

1. Actual size (Conduit size).

COIL TECHNICAL DATA

Models	Application	Refrig. Conn. Types	Face Area (Sq. Ft.)	Rows Deep	Fin Per In.	Coil Size	Tube Geometry	Tube Dia.	Fin Type
AHR18B3XH21	Cooling / Heat Pump	Sweat	3.40	2	14	(2) 14 x 17.5	1 x 0.866	3/8	Enhanced
AHR24B3XH21	Cooling / Heat Pump	Sweat	3.90	3	12	(2) 16 x 17.5	1 x 0.866	3/8	Enhanced
AHR30B3XH21	Cooling / Heat Pump	Sweat	3.90	3	12	(2) 16 x 17.5	1 x 0.866	3/8	Enhanced
AHR36B3XH21	Cooling / Heat Pump	Sweat	4.86	3	12	(2) 20 x 17.5	1 x 0.866	3/8	Enhanced
AHR42C3XH21	Cooling / Heat Pump	Sweat	5.35	3	12	(2) 22 x 17.5	1 x 0.866	3/8	Enhanced
AHR48D3XH21	Cooling / Heat Pump	Sweat	5.83	3	11	(2) 24 x 17.5	1 x 0.866	3/8	Enhanced
AHR60D3XH21	Cooling / Heat Pump	Sweat	6.80	3	12	(2) 28 x 17.5	1 x 0.866	3/8	Enhanced

**COOLING CAPACITY**

Models	Rated CFM	Entering Air °F (Dry/Wet Bulb)	MBH@ Evaporator Temperature and Corresponding Pressure °F/PSIG			
			35/61.5	40/68.5	45/76.0	50/84.0
<b>FULL-CASED "A" TYPE MULTI-POSITION</b>						
AHR18B3XH21	665	72	40.7	35.6	30.5	24.1
		67	35.0	29.5	23.9	18.6
		62	27.9	22.7	18.1	12.4
		57	22.1	19.8	16.9	14.1
AHR24B3XH21	740	72	47.9	42.4	36.8	29.9
		67	40.9	35.2	29.0	22.6
		62	33.6	28.0	21.7	15.5
		57	26.2	23.0	19.9	16.9
AHR30B3XH21	1115	72	65.8	60.4	50.7	41.5
		67	58.0	49.5	39.9	31.2
		62	47.1	38.9	30.4	21.1
		57	37.1	33.1	28.2	23.9
AHR36B3XH21	1060	72	71.1	62.4	51.5	44.3
		67	59.2	51.0	42.0	32.7
		62	48.0	39.6	30.8	21.8
		57	37.3	32.8	28.3	24.0
	1245	72	83.2	66.7	60.1	48.9
		67	66.0	59.5	47.8	37.1
		62	55.0	45.2	35.5	24.8
		57	42.9	38.1	32.6	27.6
AHR42C3XH21	1230	72	68.2	72.9	62.8	51.6
		67	66.3	59.7	48.6	38.4
		62	56.4	45.4	36.1	25.5
		57	43.7	38.3	33.3	28.3
	1485	72	69.8	86.0	74.0	59.1
		67	68.5	69.5	56.6	44.2
		62	65.3	54.1	42.0	29.8
		57	51.0	45.4	39.1	32.8
AHR48D3XH21	1320	72	87.5	75.9	64.4	51.7
		67	71.2	59.9	49.8	37.2
		62	56.5	46.6	35.4	23.3
		57	43.5	39.5	34.0	28.4
	1610	72	102.3	90.1	76.1	60.5
		67	83.7	71.5	57.3	43.6
		62	67.0	54.0	41.2	27.0
		57	50.9	46.6	39.8	33.4
AHR60D3XH21	1350	72	93.7	82.0	70.0	57.4
		67	76.5	65.5	54.1	41.4
		62	60.9	50.3	38.4	26.2
		57	46.6	41.6	35.5	29.8
	1620	72	70.8	96.4	82.4	66.2
		67	89.9	76.0	62.8	47.3
		62	71.4	58.3	44.8	29.9
		57	55.0	48.4	41.9	34.9
	1870	72	126.4	110.6	92.8	74.5
		67	102.1	86.3	70.0	53.1
		62	81.5	65.6	50.0	34.1
		57	62.1	55.3	47.1	39.4

**Note:** Airflow is calculated for each system tonnage. Capacity varies with O.D. product.

**APPLICATION FACTORS - RATED CFM VS. ACTUAL CFM**

% Of Rated Airflow (CFM)	80%	90%	100%	110%	120%
Capacity Factor	0.96	0.98	1.00	1.02	1.03

**PHYSICAL & ELECTRICAL DATA - COOLING ONLY (60 Hz)**

Models		AHR18B	AHR24B	AHR30B	AHR36B	AHR42C	AHR48D	AHR60D
Blower - Diameter x Width		10 x 8	10 x 8	10 x 8	10 x 8	10 x 10	10X10	10X10
Motor	HP	1/4 HP	1/4 HP	3/4 HP	3/4 HP	3/4 HP	3/4 HP	3/4 HP
	Nominal RPM	1075	1075	1075	1075	1075	1075	1075
Voltage		208/230	208/230	208/230	208/230	208/230	208/230	208/230
Amps	Full Load (230)	1.4	1.4	3.8	3.8	3.8	3.8	3.8
	Type	DISPOSABLE OR PERMANENT						
Filter <sup>1</sup>	Size	16 x 20 x 1	16 x 20 x 1	16 x 20 x 1	16 x 20 x 1	20 x 20 x 1	22 x 20 x 1	22 x 20 x 1
	Permanent Type Kit	1PF0601BK	1PF0601BK	1PF0601BK	1PF0601BK	1PF0602BK	1PF0603BK	1PF0603BK
Shipping / Operating Weight (lbs.)		112/100	117/102	117/105	122/110	148/133	165/147	168/150

1. Field Supplied.

**KW & MBH CONVERSIONS - FOR TOTAL POWER INPUT REQUIREMENT**

FOR	208V	OPERATION MULTIPLY	240V	TABULATED KW & MBH BY	.751
	230V		240V		.918
	220V		240V		.840

**ELECTRICAL DATA - COOLING ONLY (60 Hz)**

Models	Total Motor Amps		Minimum Circuit Ampacity		Max. O.C.P. <sup>1</sup> Amps/Type	Minimum Wire Size A.W.G.
	60 Hertz		60 Hertz			
	208V	230V	208V	230V		
<b>AHR MODELS</b>						
AHR18B3XH21	1.3	1.4	1.6	1.8	15	14
AHR24B3XH21	1.3	1.4	1.6	1.8	15	14
AHR30B3XH21	3.4	3.8	4.3	4.8	15	14
AHR36B3XH21	3.4	3.8	4.3	4.8	15	14
AHR42C3XH21	3.4	3.8	4.3	4.8	15	14
AHR48D3XH21	3.4	3.8	4.3	4.8	15	14
AHR60D3XH21	3.4	3.8	4.3	4.8	15	14

1. OCP = Over Current Protection device, must be HACR type Circuit Breaker or Time Delay fuse.

\* May be 0 (no Circuit Breaker) or 1 (with Circuit Breaker).

## ELECTRICAL DATA - 208/230-1-60

Models	Heater Models*	Max. Static	PSC Min. Speed Tap	Total Heat <sup>1</sup>				kW Staging			
				kW		MBH		W1 Only		W1 + W2	
				208V	230V	208V	230V	208V	230V	208V	230V
AHR18B3XH21	6HK*6500206	0.3	Low	1.8	2.2	6.1	7.5	1.8	2.2	1.8	2.2
	6HK*6500506	0.3	Med	3.6	4.4	12.3	15.0	3.6	4.4	3.6	4.4
	6HK*6500806	0.3	Med	5.8	7.0	19.7	24.0	5.8	7.0	5.8	7.0
	6HK*6501006	0.3	Med	7.2	8.8	24.6	29.9	7.2	8.8	7.2	8.8
AHR24B3XH21	6HK*6500206	0.3	Low	1.8	2.2	6.1	7.5	1.8	2.2	1.8	2.2
	6HK*6500506	0.3	Low	3.6	4.4	12.3	15.0	3.6	4.4	3.6	4.4
	6HK*6500806	0.3	Med	5.8	7.0	19.7	24.0	5.8	7.0	5.8	7.0
	6HK*6501006	0.3	Med	7.2	8.8	24.6	29.9	7.2	8.8	7.2	8.8
	6HK16501306	0.3	High	9.4	11.4	31.9	38.9	3.1	3.8	9.4	11.4
	6HK16501506	0.3	High	10.8	13.2	36.9	44.9	3.6	4.4	10.8	13.2
AHR30B3XH21	6HK*6500206	0.3	Low	1.8	2.2	6.1	7.5	1.8	2.2	1.8	2.2
	6HK*6500506	0.3	Low	3.6	4.4	12.3	15.0	3.6	4.4	3.6	4.4
	6HK*6500806	0.3	Med	5.8	7.0	19.7	24.0	5.8	7.0	5.8	7.0
	6HK*6501006	0.3	Med	7.2	8.8	24.6	29.9	7.2	8.8	7.2	8.8
	6HK16501306	0.3	High	9.4	11.4	31.9	38.9	3.1	3.8	9.4	11.4
	6HK16501506	0.3	High	10.8	13.2	36.9	44.9	3.6	4.4	10.8	13.2
AHR36B3XH21	6HK*6500206	0.3	Low	1.8	2.2	6.1	7.5	1.8	2.2	1.8	2.2
	6HK*6500506	0.3	Low	3.6	4.4	12.3	15.0	3.6	4.4	3.6	4.4
	6HK*6500806	0.3	Med	5.8	7.0	19.7	24.0	5.8	7.0	5.8	7.0
	6HK*6501006	0.3	Med	7.2	8.8	24.6	29.9	7.2	8.8	7.2	8.8
	6HK16501306	0.3	High	9.4	11.4	31.9	38.9	3.1	3.8	9.4	11.4
	6HK16501506	0.3	High	10.8	13.2	36.9	44.9	3.6	4.4	10.8	13.2
	6HK16501806	0.3	High	13.0	15.8	44.2	53.9	6.5	7.9	13.0	15.8
	6HK16502006	0.3	High	14.4	17.5	49.1	59.9	7.2	8.8	14.4	17.6
AHR42C3XH21	6HK*6500206	0.3	Low	1.8	2.2	6.1	7.5	1.8	2.2	1.8	2.2
	6HK*6500506	0.3	Low	3.6	4.4	12.3	15.0	3.6	4.4	3.6	4.4
	6HK*6500806	0.3	Med	5.8	7.0	19.7	24.0	5.8	7.0	5.8	7.0
	6HK*6501006	0.3	Med	7.2	8.8	24.6	29.9	7.2	8.8	7.2	8.8
	6HK16501306	0.3	High	9.4	11.4	31.9	38.9	3.1	3.8	9.4	11.4
	6HK16501506	0.3	High	10.8	13.2	36.9	44.9	3.6	4.4	10.8	13.2
AHR48D3XH21	6HK*6500206	0.3	Low	1.8	2.2	6.1	7.5	1.8	2.2	1.8	2.2
	6HK*6500506	0.3	Low	3.6	4.4	12.3	15.0	3.6	4.4	3.6	4.4
	6HK*6500806	0.3	Low	5.8	7.0	19.7	24.0	5.8	7.0	5.8	7.0
	6HK*6501006	0.3	Med	7.2	8.8	24.6	29.9	7.2	8.8	7.2	8.8
	6HK16501306	0.3	Med	9.4	11.4	31.9	38.9	3.1	3.8	9.4	11.4
	6HK16501506	0.3	Med	10.8	13.2	36.9	44.9	3.6	4.4	10.8	13.2
	6HK16501806	0.3	Med	13.0	15.8	44.2	53.9	6.5	7.9	13.0	15.8
	6HK16502006	0.3	High	14.4	17.5	49.1	59.9	7.2	8.8	14.4	17.6
AHR60D3XH21	6HK*6500206	0.3	Low	1.8	2.2	6.1	7.5	1.8	2.2	1.8	2.2
	6HK*6500506	0.3	Low	3.6	4.4	12.3	15.0	3.6	4.4	3.6	4.4
	6HK*6500806	0.3	Low	5.8	7.0	19.7	24.0	5.8	7.0	5.8	7.1
	6HK*6501006	0.3	Med	7.2	8.8	24.6	29.9	7.2	8.8	7.2	8.8
	6HK16501306	0.3	Med	9.4	11.4	31.9	38.9	3.1	3.8	9.4	11.4
	6HK16501506	0.3	Med	10.8	13.2	36.9	44.9	3.6	4.4	10.8	13.2
	6HK16501806	0.3	Med	13.0	15.8	44.2	53.9	6.5	7.9	13.0	15.8
	6HK16502006	0.3	High	14.4	17.5	49.1	59.9	7.2	8.8	14.4	17.6
	6HK16502506	0.3	High	18.0	21.9	61.4	74.9	7.2	8.8	18.0	22.0

1. See conversion table on Page 4.

**ELECTRICAL DATA - (FOR SINGLE SOURCE POWER SUPPLY) - COPPER WIRE - 208/230-1-60**

Models	Heater Models*	Heater Amps 240V	Field Wiring					
			Min. Circuit Ampacity		Max. O.C.P. <sup>1</sup> Amps/Type		75°C Wire Size - AWG	
			208V	230V	208V	230V	208V	230V
AHR18B3XH21	6HK*6500206	10.0	12.42	13.73	15	15	12	12
	6HK*6500506	20.0	23.25	25.71	25	30	10	10
	6HK*6500806	32.0	36.25	40.08	40	45	8	8
	6HK*6501006	40.0	44.92	49.67	45	50	8	6
AHR24B3XH21	6HK*6500206	10.0	12.42	13.73	15	15	12	12
	6HK*6500506	20.0	23.25	25.71	30	30	10	10
	6HK*6500806	32.0	36.25	40.08	40	50	8	8
	6HK*6501006	40.0	44.92	49.67	45	50	8	6
	6HK16501306	52.0	57.92	64.04	60	70	4	4
	6HK16501506	60.0	66.58	73.63	70	80	4	4
AHR30B3XH21	6HK*6500206	10.0	15.13	16.73	20	20	12	12
	6HK*6500506	20.0	25.96	28.71	30	30	10	10
	6HK*6500806	32.0	38.96	43.08	40	45	8	8
	6HK*6501006	40.0	47.63	52.67	50	60	6	6
	6HK16501306	52.0	60.63	67.04	70	70	6	4
	6HK16501506	60.0	69.30	76.63	70	80	4	4
AHR36B3XH21	6HK*6500206	10.0	15.13	16.73	20	20	12	12
	6HK*6500506	20.0	25.96	28.71	30	30	10	10
	6HK*6500806	32.0	38.96	43.08	40	45	8	8
	6HK*6501006	40.0	47.63	52.67	50	60	8	6
	6HK16501306	52.0	60.63	67.04	70	70	6	4
	6HK16501506	60.0	69.30	76.63	70	80	4	4
	6HK16501806	72.0	82.30	91.00	90	100	3	3
	6HK16502006	80.0	91.0	100.6	100	110	3	2
AHR42C3XH21	6HK*6500206	10.0	15.1	16.7	20	20	12	12
	6HK*6500506	20.0	26.0	28.7	30	30	10	10
	6HK*6500806	32.0	39.0	43.1	40	45	8	8
	6HK*6501006	40.0	47.6	52.7	50	60	6	6
	6HK16501306	52.0	60.6	67.0	70	70	6	4
	6HK16501506	60.0	69.30	76.63	70	80	4	4
AHR48D3XH21	6HK*6500206	10.0	15.1	16.7	20	20	12	12
	6HK*6500506	20.0	26.0	28.7	30	30	10	10
	6HK*6500806	32.0	39.0	43.1	40	45	8	8
	6HK*6501006	40.0	47.6	52.7	50	60	6	6
	6HK16501306	52.0	60.6	67.0	70	70	6	4
	6HK16501506	60.0	69.3	76.6	70	80	4	4
	6HK16501806	72.0	82.3	91.0	90	100	3	3
	6HK16502006	80.0	91.0	100.6	100	110	3	2
AHR60D3XH21	6HK*6500206	10.0	15.1	16.7	20	20	12	12
	6HK*6500506	20.0	26.0	28.7	30	30	10	10
	6HK*6500806	32.0	39.0	43.1	40	45	8	8
	6HK*6501006	40.0	47.6	52.7	50	60	6	6
	6HK16501306	52.0	60.6	67.0	70	70	6	4
	6HK16501506	60.0	69.3	76.6	70	80	4	4
	6HK16501806	72.0	82.3	91.0	90	100	3	3
	6HK16502506	100.0	112.6	124.5	115	130	1	1

1. O.C.P. = Over Current Protection device, must be HACR type Circuit Breaker or Time Delay fuse.

\* May be 0 (no Circuit Breaker) or 1 (with Circuit Breaker).

**ELECTRICAL DATA - (FOR MULTI-SOURCE POWER SUPPLY) - COPPER WIRE - 208/230-1-60<sup>1</sup>**

Models	Heater Models	Min. Circuit Ampacity		Max. O.C.P. <sup>2</sup> Amps/Type		75°C Wire Size - AWG	
		Circuit		Circuit		Circuit	
		1st	2nd	1st	2nd	1st	2nd
		208/230	208/230	208/230	208/230	208/230	208/230
AHR24B3XH21	6HK16501306	37.5/41.3	20.3/22.4	40/45	25/25	8/8	12/12
	6HK16501506	43.3/47.8	23.2/25.5	45/50	25/30	8/8	12/10
AHR30B3XH21	6HK16501306	37.5/41.3	23.0/25.4	40/45	25/30	8/8	10/10
	6HK16501506	43.3/47.8	25.9/28.7	45/50	30/30	8/8	10/10
AHR36B3XH21	6HK16501306	37.5/41.3	23.0/25.4	40/45	25/30	8/8	12/12
	6HK16501506	43.3/47.8	25.9/28.7	45/50	30/35	8/8	10/10
	6HK16501806	38.9/42.9	43.2/47.7	40/45	50/50	8/8	8/8
	6HK16502006	43.3/47.8	47.6/52.6	45/50	50/60	8/8	8/6
AHR42C3XH21	6HK16501306	37.5/41.3	23.0/25.4	40/45	25/30	8/8	12/12
	6HK16501506	43.3/47.8	25.9/28.7	45/50	30/30	8/8	10/10
AHR48D3XH21	6HK16501306	37.5/41.3	23.0/25.4	40/45	25/30	8/8	12/12
	6HK16501506	43.3/47.8	25.9/28.7	45/50	30/30	8/8	10/10
	6HK16501806	38.9/42.9	43.2/47.7	40/45	45/50	8/8	8/8
	6HK16502006	43.3/47.8	47.6/52.6	45/50	50/60	8/8	8/6
AHR60D3XH21	6HK16501306	37.5/41.3	23.0/25.4	40/45	25/30	8/8	12/12
	6HK16501506	43.3/47.8	25.9/28.7	45/50	30/30	8/8	10/10
	6HK16501806	38.9/42.9	43.2/47.7	40/45	45/50	8/8	8/8
	6HK16502006	43.3/47.8	47.6/52.6	45/50	50/60	8/8	8/6
	6HK16502506	64.9/71.7	47.6/52.6	70/80	50/60	4/4	8/6

1. If wire other than non-plated, 75° ambient, copper wire is used. consult applicable tables of the NEC and local codes.
2. O.C.P. = Over Current Protection device, must be HACR type Circuit Breaker or Time Delay fuse.

**Electrical Data - 208/230-3-60**

Models	Heat Kit - Three Phase	Max. Static	Min. Speed Tap	Total Heat <sup>1</sup>				KW Staging			
				KW		MBH		W1 Only		W1 + W2	
				208V	230V	208V	230V	208V	230V	208V	230V
AHR24B3XH21	6HK06501525	0.3	High	10.8	14.4	36.9	49.1	10.8	14.4	10.8	14.4
AHR30B3XH21	6HK06501525	0.3	High	10.8	14.4	36.9	49.1	10.8	14.4	10.8	14.4
AHR36B3XH21	6HK06501525	0.3	Med	10.8	14.4	36.9	49.1	10.8	14.4	10.8	14.4
	6HK16502025	0.3	High	14.4	19.2	49.1	65.5	7.2	9.6	14.4	19.2
AHR42C3XH21	6HK06501525	0.3	Med	10.8	14.4	36.9	49.1	10.8	14.4	10.8	14.4
AHR48D3XH21	6HK06501525	0.3	High	10.8	14.4	36.9	49.1	10.8	14.4	10.8	14.4
	6HK16502025	0.3	High	14.4	19.2	49.1	65.5	7.2	9.6	14.4	19.2
AHR60D3XH21	6HK06501525	0.3	High	10.8	14.4	36.9	49.1	10.8	14.4	10.8	14.4
	6HK16502025	0.3	High	14.4	19.2	49.1	65.5	7.2	9.6	14.4	19.2
	6HK16502525	0.3	High	18	24	61.4	81.9	9.0	12.0	18.0	24.0

1. See conversion table on Page 4.

**Electrical Data - (For Single Source Power Supply) - Copper Wire - 208/230-3-60**

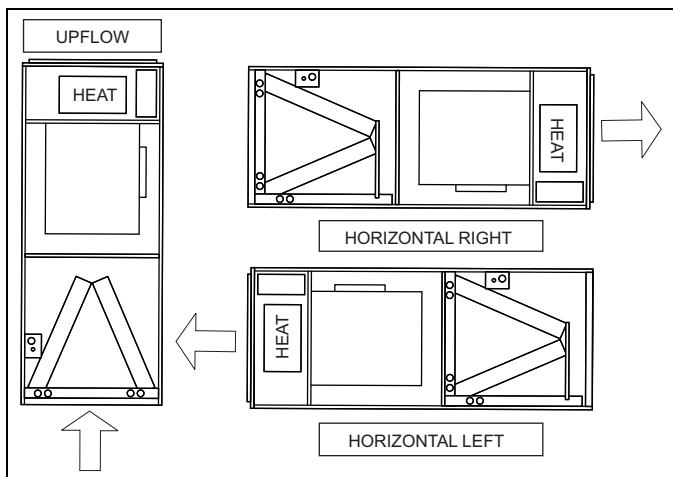
Models	Heat Kit - Three Phase	Heater Amps 240V	Field Wiring					
			Min. Circuit Ampacity		Max. O.C.P. <sup>1</sup> Amps/Type		75°C Wire Size - AWG	
			208V	230V	208V	230V	208V	230V
AHR24B3XH21	6HK06501525	34.6	39.1	43.20	40	45	8	8
AHR30B3XH21	6HK06501525	34.6	41.7	46.20	45	50	8	8
AHR36B3XH21	6HK06501525	34.6	41.7	46.20	45	50	8	8
	6HK16502025	46.2	54.3	60.09	60	70	6	4
AHR42C3XH21	6HK06501525	34.6	41.7	46.20	45	50	8	8
AHR48D3XH21	6HK06501525	34.6	41.7	46.20	45	50	8	8
	6HK16502025	46.2	54.3	60.09	60	70	6	4
AHR60D3XH21	6HK06501525	34.6	41.7	46.20	45	50	8	8
	6HK16502025	46.2	54.3	60.09	60	70	6	4
	6HK16502525	57.7	66.8	73.87	70	80	4	4

- O.C.P. = Over Current Protection device, must be HACR type Circuit Breaker or Time Delay fuse.
- Heaters are 3 Phase.

**Electrical Data - (For Multi-Source Power Supply) - Copper Wire - 208/230-3-60**

Models	Heater Model	Minimum Circuit Ampacity		Max. O.C.P. <sup>1</sup> Amps/Type		75°C Wire Size - AWG	
		Circuit					
		1st	2nd	1st	2nd	1st	2nd
		208/230	208/230	208/230	208/230	208/230	208/230
AHR36B3XH21	6HK16502025	29.3/33.6	25/28.9	30/35	30/30	10/10	10/10
AHR48D3XH21	6HK16502025	29.3/33.6	25/28.9	30/35	30/30	10/10	10/10
AHR60D3XH21	6HK16502025	29.3/33.6	25/28.9	30/35	30/30	10/10	10/10
	6HK16502525	35.5/40.3	31.3/36.1	40/45	35/40	8/8	10/8

- O.C.P. = Over Current Protection device, must be HACR type Circuit Breaker or Time Delay fuse.

**TYPICAL APPLICATIONS****ACCESSORIES**

Refer to Price Manual for specific model numbers.

**TXV Kits** - TXV kits are available for "Flex-coil" applications and converting R22 to R410A or as a service replacement. All kits are bolt-on and require no brazing to install.

**Electric Heaters** - 6HK models shown under electrical data include sequential operation and temperature dual limit switches for safe, efficient operation. Circuit breakers are provided where shown.

**LIMITATIONS**

These units must be wired and installed in accordance with all national and local safety codes.

Voltage limits are as follows:

Air Handler Voltage	Voltage code	<sup>1</sup> Normal Operating Voltage Range
208/230-1-60	06	187-253
220/240-1-50	93	198-264

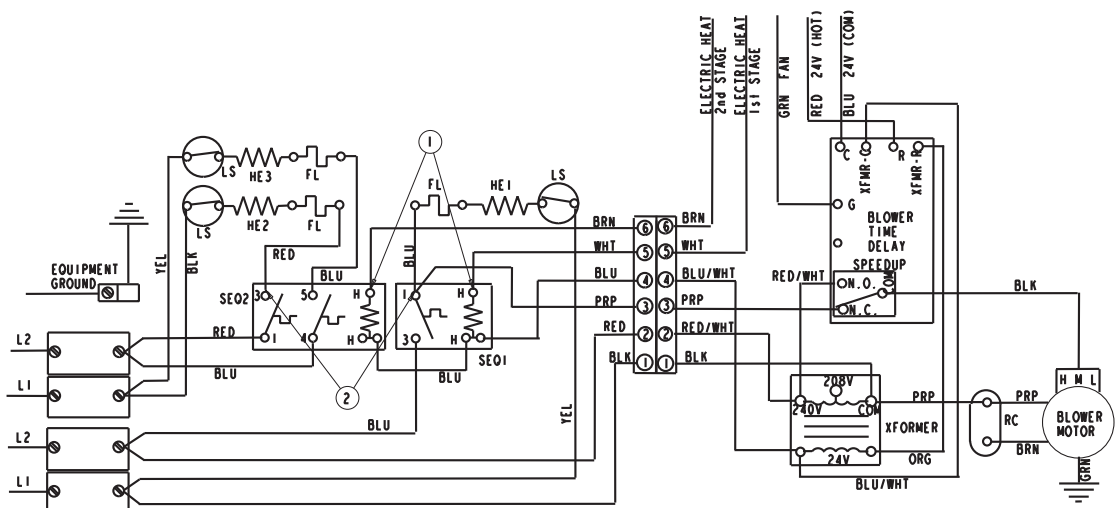
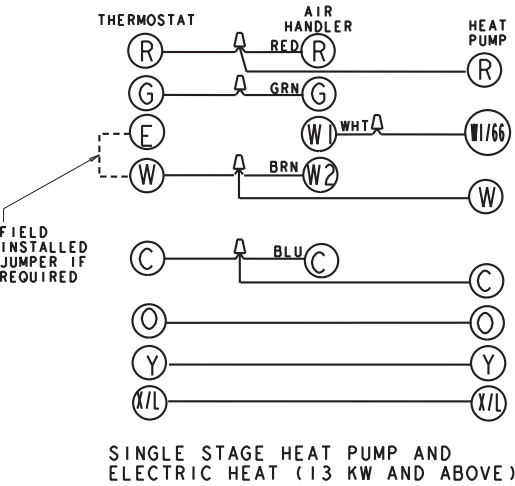
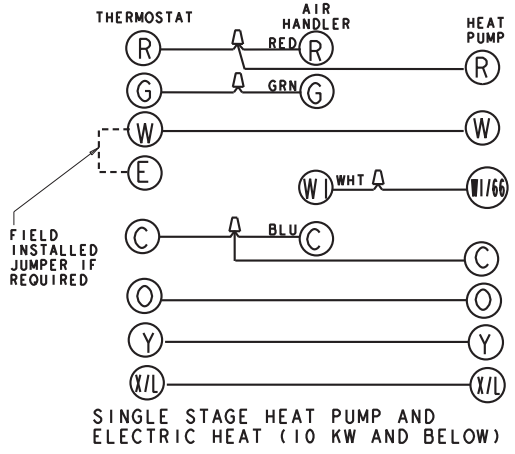
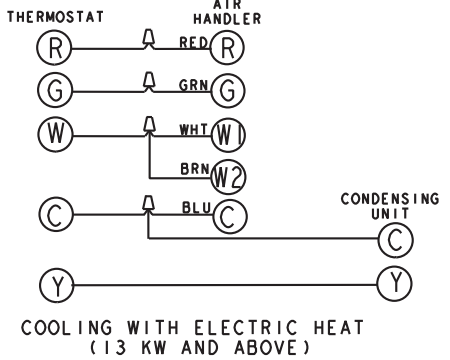
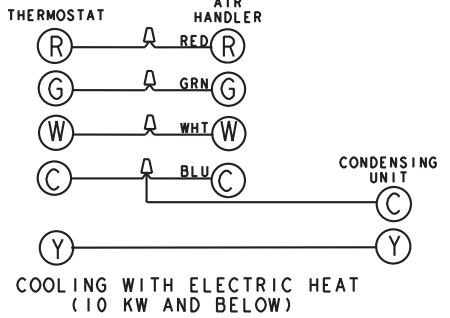
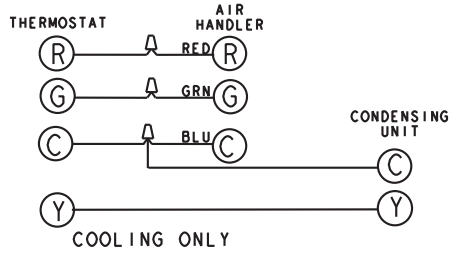
- Rated in accordance with ARI Standard 110, utilization range "A".

Airflow must be within the minimum and maximum limits approved for electric heat, evaporator coils and outdoor units.

Entering Air Temperature Limits			
Wet Bulb Temp. °F		Dry Bulb Temp. °F	
Min.	Max.	Min.	Max.
57	72	65	95



TYPICAL THERMOSTAT CONNECTIONS



TO CHANGE THE QUANTITY OF HEAT DURING HEAT PUMP DEFROST CYCLE ① REVERSE THE BROWN AND WHITE WIRE CONNECTIONS ON THE SEQUENCERS IN THE HEATER KIT. ② THE PURPLE WIRE MUST BE MOVED FROM #1 ON SEQUENCER 1 TO #3 ON SEQUENCER 2

## AIRFLOW

## AIR FLOW DATA - 60 Hz MODELS - 208 &amp; 230 VOLT

Models	Blower Motor Speed	CFM <sup>1</sup> @ External Static Pressure - IWC						
		0.10	0.20	0.30	0.40	0.50	0.60	0.70
<b>208 Volt</b>								
AHR18B3XH21	High	1024	1000	970	930	860	810	NA
	Medium	756	731	700	670	620	550	NA
	Low	557	531	495	445	375	315	195
AHR24B3XH21	High	995	970	935	900	925	795	645
	Medium	820	810	780	745	695	545	485
	Low	715	695	640	405	370	375	220
AHR30B3XH21	High	1380	1315	1245	1160	1075	990	885
	Medium	1060	1040	1005	955	890	860	820
	Low	1035	980	910	825	770	685	485
AHR36B3XH21	High	1410	1335	1270	1190	1110	990	820
	Medium	1215	1170	1115	1050	935	850	740
	Low	950	935	895	855	NA	NA	NA
AHR42C3XH21	High	1800	1725	1645	1545	1360	1200	1050
	Medium	1535	1480	1415	1280	1155	1010	870
	Low	1225	1195	1095	1025	925	825	680
AHR48D3XH21	High	1890	1830	1755	1650	1565	1450	1285
	Medium	1515	1480	1450	1380	1295	1115	985
	Low	1170	1165	1140	1100	965	860	745
AHR60D3XH21	High	1911	1841	1757	1668	1564	1439	1233
	Medium	1556	1507	1450	1388	1266	1246	989
	Low	1211	1181	1151	1062	992	911	827
<b>230 Volt</b>								
AHR18B3XH21	High	1145	1100	1055	1005	930	845	725
	Medium	755	750	725	665	605	485	435
	Low	680	655	625	585	540	395	300
AHR24B3XH21	High	1305	1285	1225	1175	920	915	835
	Medium	930	920	890	845	705	760	505
	Low	735	730	700	670	545	470	NA
AHR30B3XH21	High	1450	1380	1300	1215	1130	1030	910
	Medium	1330	1280	1205	1135	1050	975	780
	Low	1160	1120	1065	1005	930	825	635
AHR36B3XH21	High	1470	1390	1325	1245	1155	1045	880
	Medium	1325	1265	1205	1125	1025	965	840
	Low	1115	1075	1025	950	NA	NA	NA
AHR42C3XH21	High	1750	1670	1570	1477	1260	1125	935
	Medium	1590	1520	1435	1277	1150	1010	870
	Low	1330	1280	1200	1083	980	850	NA
AHR48D3XH21	High	2005	1940	1850	1755	1650	1530	1405
	Medium	1705	1665	1605	1510	1425	1340	1185
	Low	1355	1330	1300	1245	1170	990	980
AHR60D3XH21	High	2034	1955	1858	1753	1640	1522	1296
	Medium	1733	1672	1609	1527	1431	1272	1220
	Low	1388	1359	1313	1255	1133	1004	912

1. Dry coil conditions only, tested without filters.

Air handler units are CSA listed to UL 1995/CSA C22.2 236-05 up to 0.30" w.c. external static pressure, including air filter, wet coil, and largest kW size heater, unless otherwise noted.

Operation not recommended in shaded areas.

## NOTES

