

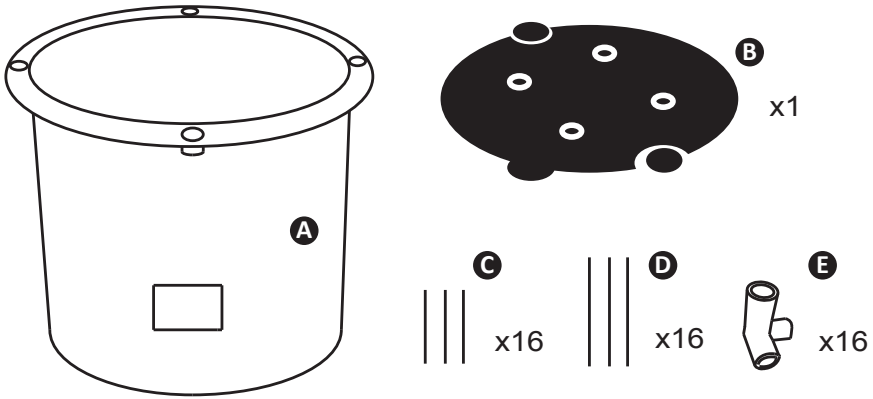
USER MANUAL



TOMATO BARREL WITH TRELLIS



GCTB2



TOMATO BARREL PARTS LIST

- A - Growing container (1)
- B - Insert (1)
- C - Vertical trellis risers (short sticks) (16)
- D - Horizontal cross bars (long sticks) (16)
- E - Three-way connectors (16)

Instruction booklet

OVERVIEW

Thank you for purchasing the Tomato Barrel. This planting system provides both a planting container and built-in staking for plant support. It provides lightweight, strong support for tomatoes, beans, peas and other climbing plants and flowers. An easy-to-fill reservoir delivers water and nutrients from below, helping to avoid over- or underwatering. The sturdy frame helps support the weight of the vines as they grow, allowing the plant to devote more energy to developing fruit—and preventing the fruit from falling off before it's ripe.

PLEASE READ AND SAVE THESE INSTRUCTIONS

ASSEMBLING THE TOMATO BARREL

1. Please verify that your unit has all the parts mentioned in the parts list above.
2. Remove the black insert piece from the base of the growing container.
3. On the black insert, bend the two cutaway pieces upward so that their bottom edges are level with the insert's top surface. Then place it back into the growing container, positioning it so that the X-shaped slits in the insert's legs sit on the X-shaped support points in the bottom of the growing container and the watering holes in the side of the container are aligned with the raised sections on the insert (see Fig. 1).
4. Fill the growing container with soil, potting mix, or coco coir.
5. Insert four of the vertical trellis risers into the four holes in the top rim of the growing container (see Fig. 2).
6. Place four three-way connectors onto the ends of the vertical trellis risers (see Fig. 3).
7. Insert four horizontal cross bars into the three-way connectors (see Fig. 4).
8. Repeat steps 4 through 6 to complete the assembly (see Fig. 5).
9. Water the soil/mix/coir gently and thoroughly until excess water drains into the reservoir (the part of the growing container that is below the insert). Keep watering until the excess water fills the reservoir to

the point where it begins to spill from the two rectangular openings in the growing container.

10. Plant your young plant into the center of the medium.

For a couple of weeks, water as you would any normal pot. Soon the root system will develop to the point where roots will grow down through the insert to seek water in the reservoir. From that point, focus your watering efforts mainly on regularly filling the reservoir as needed with water (if using soil) or nutrient solution (if using coco coir or other soilless media), with occasional top watering of the soil/coco.

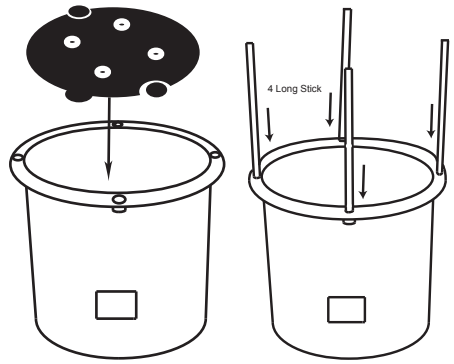


Fig. 1

Fig. 2

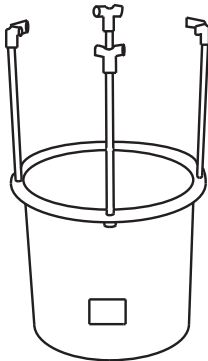


Fig. 3

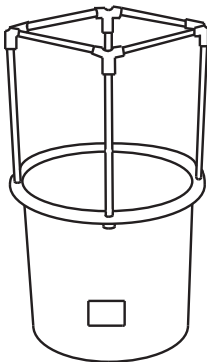
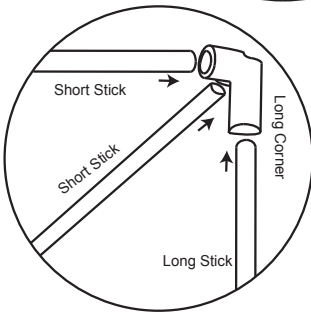


Fig. 4

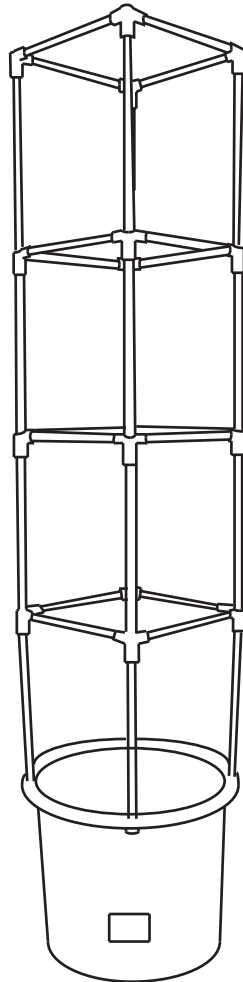


Fig. 5

WARRANTY



LIMITED WARRANTY

Hydrofarm warrants the **GCTB2** to be free from defects in materials and workmanship. The warranty term is for one year beginning on the date of purchase. Misuse, abuse, or failure to follow instructions is not covered under this warranty. Hydrofarm's warranty liability extends only to the replacement cost of the product. Hydrofarm will not be liable for any consequential, indirect, or incidental damages of any kind, including lost revenues, lost profits, or other losses in connection with the product. Some states do not allow limitation on how long an implied warranty lasts or the exclusion of incidental or consequential damages, so the above limitations or exclusions may not apply to you. Hydrofarm will, at our discretion, repair or replace the **GCTB2** covered under this warranty if it is returned to the original place of purchase. To request warranty service, please return the **GCTB2**, with original sales receipt and original packaging, to your place of purchase. The purchase date is based on your original sales receipt.



Get Connected with the Hydrofarm Community:



Like us on Facebook, follow us on Twitter,
and check out *Hydrofarmtv* on YouTube and Instagram!

GCTB2 Instructions revised - February 6, 2017 11:46 AM



Hydrofarm.com