

---

USER MANUAL

---

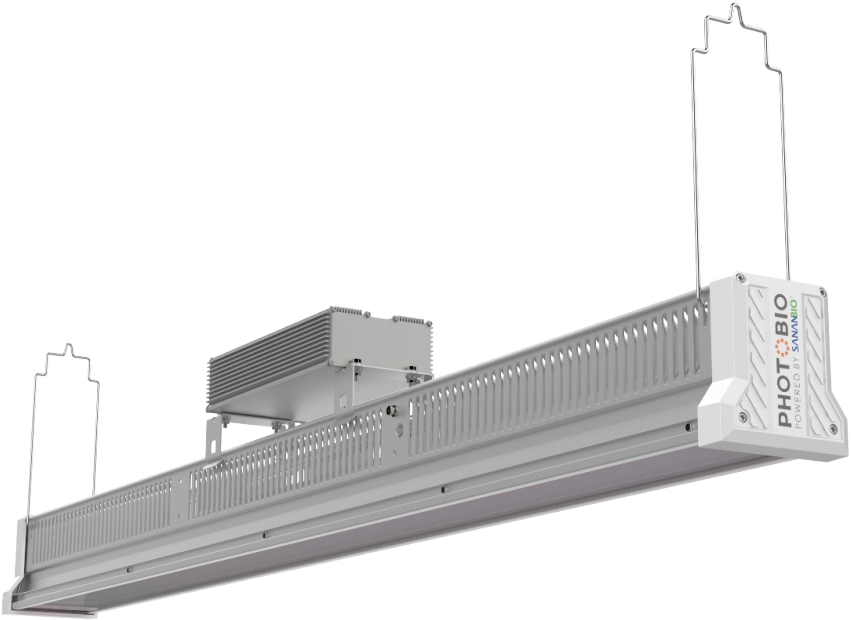
# PHOTO BIO

POWERED BY SANABIO®

---

PHOTOBIO•T LED TOP LIGHT

---



# USER MANUAL

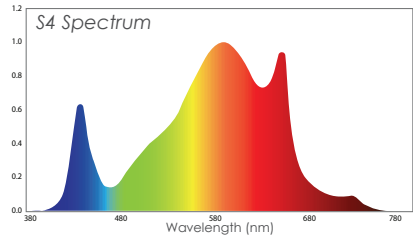
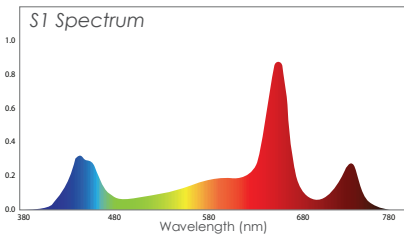
## OVERVIEW

- 1-to-1 LED replacement for 600W HID legacy fixtures
- PHOTO•PRO Photon Regulating Optics uniformly distribute PBAR ( $\mu\text{mol/s}$ ) to the plant canopy
- Slim linear design minimizes sun interference when used in greenhouse environments
- Wieland RST IP rated input power connector eliminates the need for separate plug and receptacle
- PHOTO•LOC Light Output Control (0-10V) via IP rated connector allows controller interface
- Patented low maintenance heatsink design

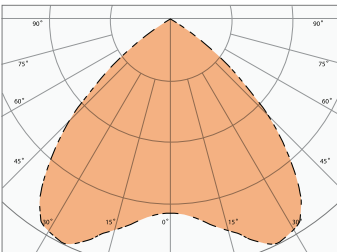
## ELECTRICAL SPECIFICATIONS

Item Code	Model	Spectrum	Application	Power (W)	$\mu\text{mol/Joule}$ (PBAR)	Dimming	IP	Weight	Voltage	Lifetime to L90
PTB3300LS1	PHOTOBIO•T	S1	Flowering	325W	2.1	0–10V	IP65	5.6 Kg/12.35 lb	100–277V	>54,000 hr
PTB3300LS4	PHOTOBIO•T	S4	Vegetative & Flowering	300W	2.5	0–10V	IP65	5.6 Kg/12.35 lb	100–277V	>54,000 hr
PTB4300HS1	PHOTOBIO•T	S1	Flowering	325W	2.1	0–10V	IP65	5.6 Kg/12.35 lb	277–480V	>54,000 hr
PTB4300HS4	PHOTOBIO•T	S4	Vegetative & Flowering	300W	2.5	0–10V	IP65	5.6 Kg/12.35 lb	277–480V	>54,000 hr

## SPECTRA

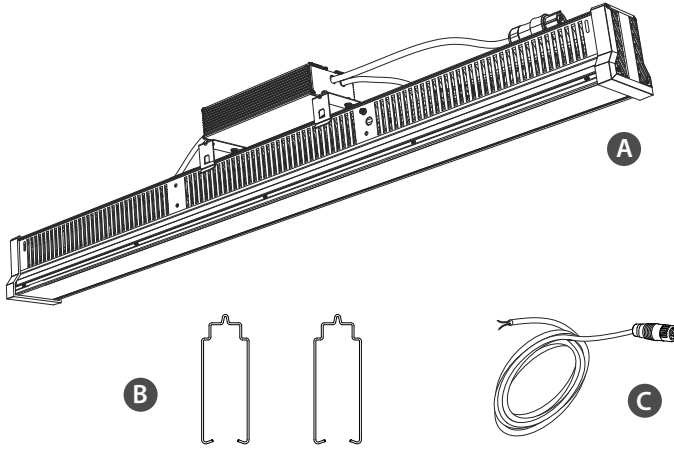


## POLAR DIAGRAM



# USER MANUAL

## PARTS LIST

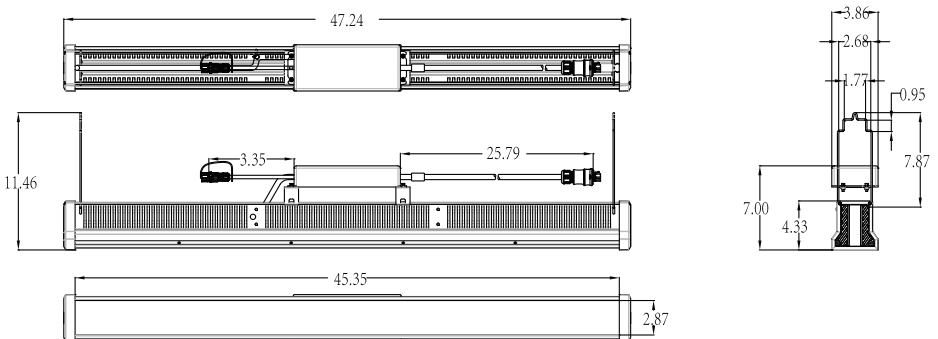


- A. Lighting fixture with driver attached
- B. Mounting hangers (x2)
- C. Dimming cable (8ft)
- D. User manual (not shown)

## CAUTION

- Avoid direct eye exposure to the light source while it is on.
- Account for small parts and recycle or destroy packing material, as these may be hazardous to children.

## PRODUCT DIMENSION(Inch)



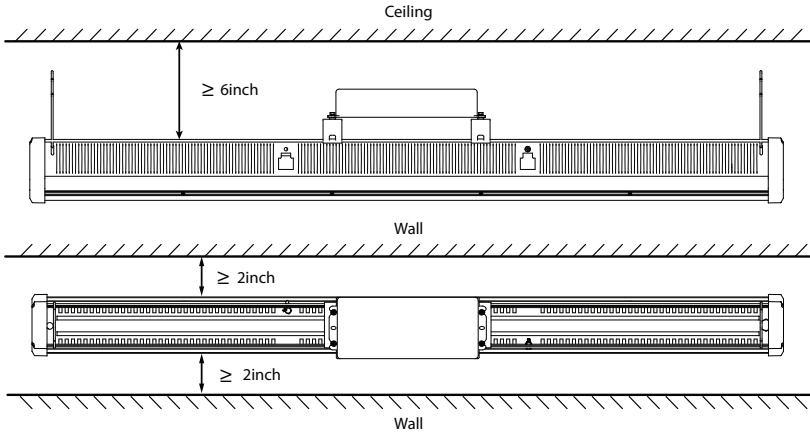
## WARNINGS

- Before installing, servicing, or performing routine maintenance, follow these general precautions.
- For the installation: if you are unsure about the installation or maintenance of this fixture, consult a qualified licensed electrician and check your local electrical code.
- Do not make or alter any open holes in an enclosure of wiring or electrical components during kit installation.
- Turn off the power and unplug fixture when you perform any maintenance.
- Verify that supply voltage is correct by comparing it with the information on spec label.
- Avoid hitting, bending or causing mechanical stress to the fixture.
- DO NOT cover or block any part of the fixture during operation.
- To clean lens, use a mild soap or detergent (e.g. common dishwashing liquid) and lukewarm water using a clean soft cloth.
- To ensure optimal performance, the heatsink may require periodic cleaning. Clean with compressed air or damp lint free cloth.
- 12" Clearance must be maintained from any combustible surface.
- Always provide a well-ventilated environment where ambient temperatures do not exceed 40°C (104°F) regardless of whether the fixtures are in operation or off. Excessive temperatures can inhibit performance and may cause damage or shorten the life of the fixtures and void the warranty.
- Do not run or store fixtures in the greenhouse unless proper environmental cooling systems are in operation. Greenhouses that are “shut down” can record excessively high temperatures resulting in premature equipment failure.
- When calculating cooling needs for your greenhouse, take into consideration BTU load generated by LED fixtures.
- This IP 65 LED fixture is intended for indoor or greenhouse use only. Avoid high pressure jets of water.

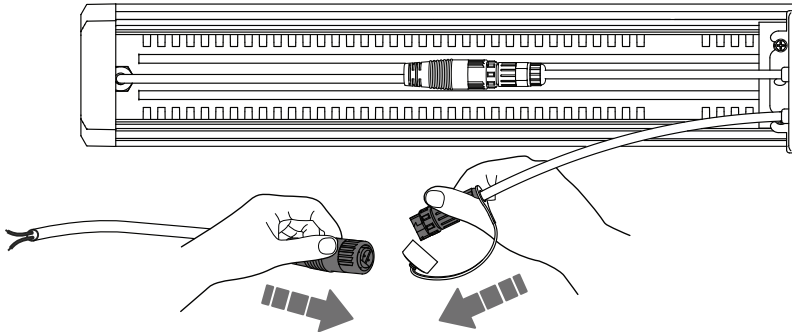
## INSTALLATION

**Be sure that the fixture is unplugged from the power source before installation.**

1. Make sure to leave a top clearance of 6 inch and side clearance of 2 inch.



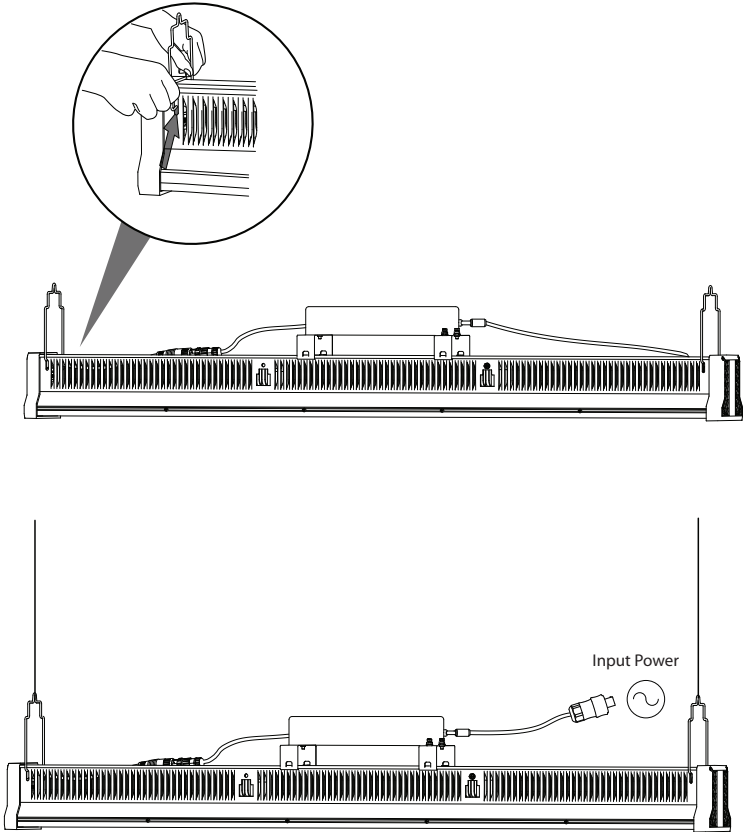
2. Connecting dimming cables (optional)



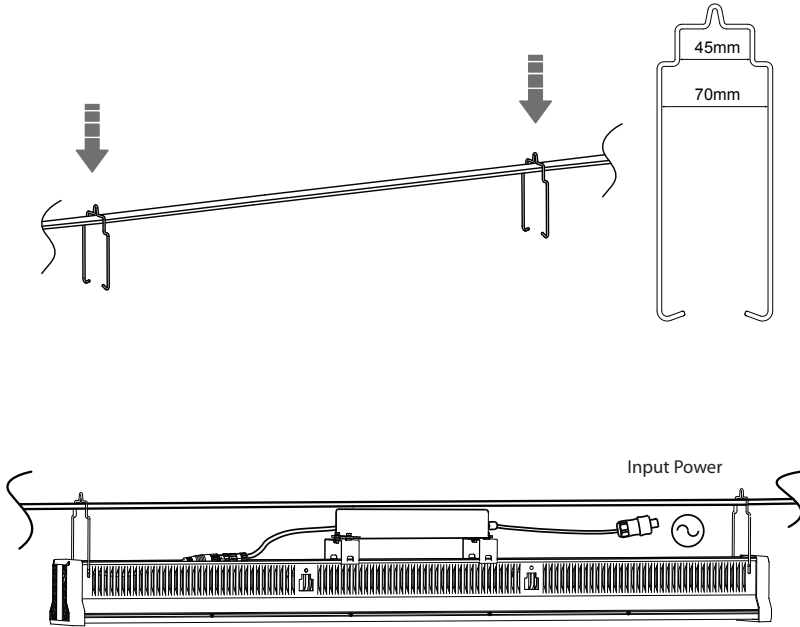
Remove the cap and align the arrows

## 3. Mounting

### a. Suspended mounting



## b. Strut mounting



Congratulations. You are ready to power up your PHOTOBIO •T LED top light.

---

# USER MANUAL

---



## LIMITED WARRANTY

Hydrofarm Commercial Solutions warrants the **PHOTOBIO•T** to be free from defects in materials and workmanship. The warranty term is for 3 years beginning on the date of purchase. Misuse, abuse, or failure to follow instructions is not covered under this warranty. Hydrofarm Commercial Solutions's warranty liability extends only to the replacement cost of the product. Hydrofarm Commercial Solutions will not be liable for any consequential, indirect, or incidental damages of any kind, including lost revenues, lost profits, or other losses in connection with the product. Some states do not allow limitation on how long an implied warranty lasts or the exclusion of incidental or consequential damages, so the above limitations or exclusions may not apply to you. Hydrofarm Commercial Solutions will, at our discretion, repair or replace the **PHOTOBIO•T** covered under this warranty if it is returned to the original place of purchase. To request warranty service, please return the **PHOTOBIO•T**, with original sales receipt and original packaging, to your place of purchase. The purchase date is based on your original sales receipt.



Thank you for choosing PHOTOBIO by Hydrofarm Commercial Solutions. For further information about PHOTOBIO products, videos and technical information, please visit [HydrofarmCommercial.com](http://HydrofarmCommercial.com) or [PHOTOBIOLED.com](http://PHOTOBIOLED.com).



Get Connected with the Hydrofarm Community:



Like us on Facebook, follow us on Twitter, and check out *Hydrofarmtv* on YouTube and Instagram!

PHOTOBIO •T Instructions: revised- December 25, 2018 5:34 pm

[www.photobioled.com](http://www.photobioled.com)