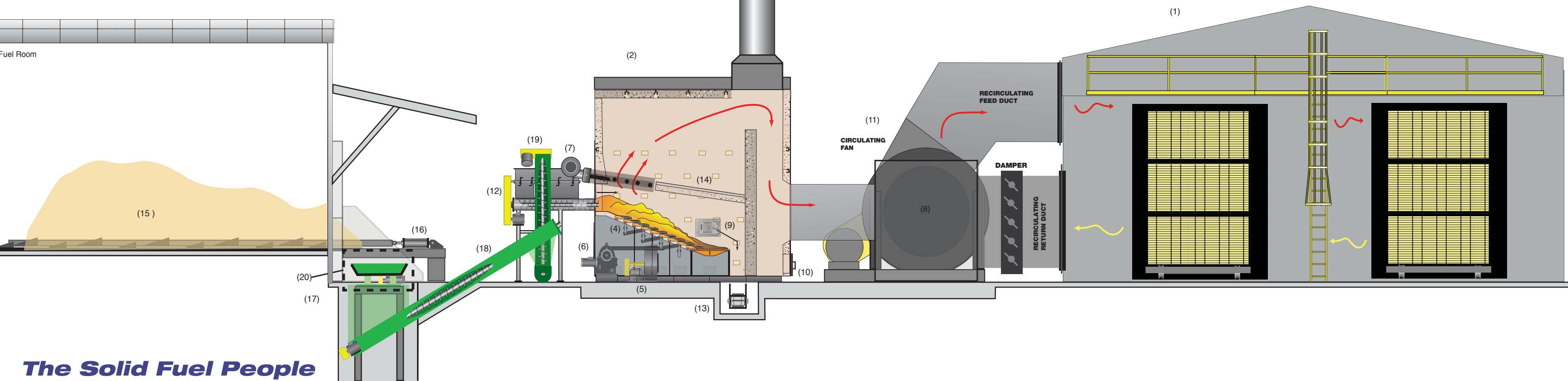




HURST

- (1) Dry Kiln
- (2) Hurst Green Burner Furnace
- (4) Reciprocating Fire Grates
- (5) Under Fire Air Fan
- (6) Reciprocating Drive
- (7) Over Fire Fan/Dampers
- (8) Air Blend Box
- (9) Fire Door
- (10) Ash Clean Out Door
- (11) Circulating Air System
- (12) Fuel Metering Bin
- (13) Ash Removal Conveyor
- (14) Refractory Arch
- (15) Reciprocating Floor/Fuel Storage
- (16) Hydraulic Driven System
- (17) Vibrating Conveyor / Classifier
- (18) Fuel Transfer Conveyor A
- (19) Fuel Transfer Conveyor B
- (20) Over Sized Fuel Material for Chipping line



The Solid Fuel People

HURST BOILER & WELDING CO., INC.
P. O. Drawer 530
21971 Highway 319 N.
Coolidge, Georgia 31738
Toll Free: 1-877-994-8778
Tel: (229) 346-3545
Fax: (229) 346-3874
Email: info@hurstboiler.com

CAT # W-23

GREEN BURNER RG

Reciprocating Grate System

Modular Packaged