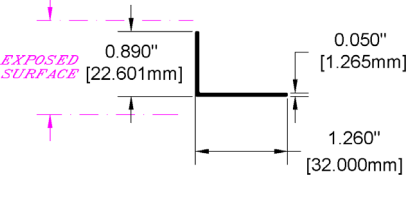
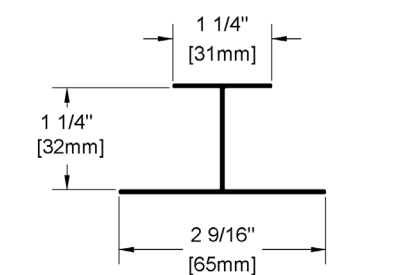
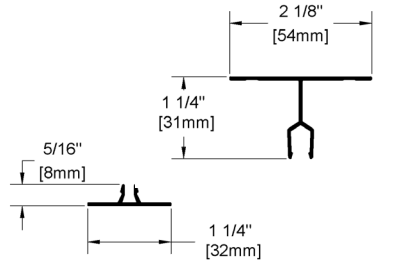
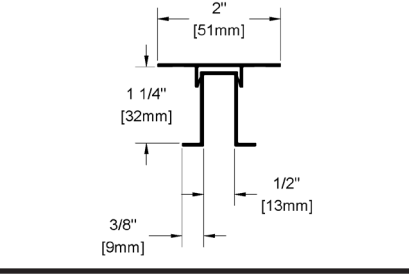
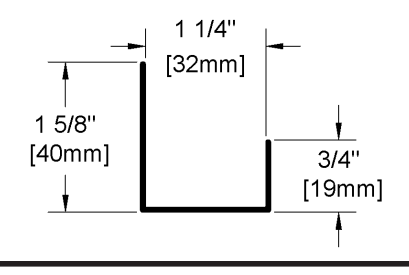
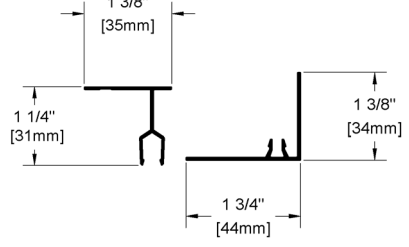


Technical Data Sheet: Fry Reglet Trim

Name		SKU#	Material	Length	Finishes
L Joiner 1-1/4"		CCL1250C	- 6063 T5 Extruded Aluminum - .050 Nominal Metal Thickness	10'	Clear Anodized Finish
		CCL1250CF			Powder Paint Finish (Custom Color)
		CCL1250BL			Wet Paint - Black
		CCL1250WH			Wet Paint - White
H Mold 1-1/4"		CCHVERT1250C	- 6063 T5 Extruded Aluminum - .050 Nominal Metal Thickness	10'	Clear Anodized Finish
		CCHVERT1250PR			Primed Finish (Field Paint)
		CCHVERT1250CF			Powder Paint Finish (Custom Color)
		CCHVERT1250BL			Wet Paint - Black
		CCHVERT1250WH			Wet Paint - White
H Mold 2Piece 1-1/4"		CC2PVH1250C	- 6063 T5 Extruded Aluminum - .050 Nominal Metal Thickness	10'	Clear Anodized Finish
		CC2PVH1250PR			Primed Finish (Field Paint)
		CC2PVH1250CF			Powder Paint Finish (Custom Color)
		CC2PVH1250BL			Wet Paint - Black
		CC2PVH1250WH			Wet Paint - White
U Mold 2Piece 1-1/4"		CC2PCH125050C	- 6063 T5 Extruded Aluminum - .050 Nominal Metal Thickness	10'	Clear Anodized Finish
		CC2PCH125050PR			Primed Finish (Field Paint)
		CC2PCH125050CF			Powder Paint Finish (Custom Color)
		CC2PCH125050BL			Wet Paint - Black
		CC2PCH125050WH			Wet Paint - White
J Trim 1-1/4"		CCJ1250C	- 6063 T5 Extruded Aluminum - .050 Nominal Metal Thickness	10'	Clear Anodized Finish
		CCJ1250PR			Primed Finish (Field Paint)
		CCJ1250CF			Powder Paint Finish (Custom Color)
		CCJ1250BL			Wet Paint - Black
		CCJ1250WH			Wet Paint - White
J Trim 2Piece 1-1/4"		CC2PCJ1250C	- 6063 T5 Extruded Aluminum - .050 Nominal Metal Thickness	10'	Clear Anodized Finish
		CC2PCJ1250PR			Primed Finish (Field Paint)
		CC2PCJ1250CF			Powder Paint Finish (Custom Color)
		CC2PCJ1250BL			Wet Paint - Black
		CC2PCJ1250WH			Wet Paint - White

Name		SKU#	Material	Length	Finishes
Through Wall Flashing 1-1/2"		CCFLASH1500C	- 6063 T5 Extruded Aluminum - .050 Nominal Metal Thickness	10'	Clear Anodized Finish
		CCFLASH1500PR			Primed Finish (Field Paint)
		CCFLASH1500CF			Powder Paint Finish (Custom Color)
		CCFLASH1500BL			Wet Paint Black
		CCFLASH1500WH			Wet Paint White
Through Wall Flashing 2Piece 1-1/2"		CC2PFLASH1500C	- 6063 T5 Extruded Aluminum - .050 Nominal Metal Thickness	10'	Clear Anodized Finish
		CC2PFLASH1500PR			Primed Finish (Field Paint)
		CC2PFLASH1500CF			Powder Paint Finish (Custom Color)
		CC2PFLASH1500BL			Wet Paint Black
		CC2PFLASH1500WH			Wet Paint White
Arrow Outer Corner 1-1/4"		CCINTOC1250C	- 6063 T5 Extruded Aluminum - .050 Nominal Metal Thickness	10'	Clear Anodized Finish
		CCINTOC1250PR			Primed Finish (Field Paint)
		CCINTOC1250CF			Powder Paint Finish (Custom Color)
		CCINTOC1250BL			Wet Paint Black
		CCINTOC1250WH			Wet Paint White
Arrow Outer Corner 2Piece 1-1/4"		CC2PCOR1250C	- 6063 T5 Extruded Aluminum - .050 Nominal Metal Thickness	10'	Clear Anodized Finish
		CC2PCOR1250PR			Primed Finish (Field Paint)
		CC2PCOR1250CF			Powder Paint Finish (Custom Color)
		CC2PCOR1250BL			Wet Paint Black
		CC2PCOR1250WH			Wet Paint White
X Corner 1-1/4"		CCPXM125075C	- 6063 T5 Extruded Aluminum - .050 Nominal Metal Thickness	10'	Clear Anodized Finish
		CCPXM125075PR			Primed Finish (Field Paint)
		CCPXM125075CF			Powder Paint Finish (Custom Color)
		CCPXM125075BL			Wet Paint Black
		CCPXM125075WH			Wet Paint White
Inside Corner 1-1/4"		CCINTIC1250C	- 6063 T5 Extruded Aluminum - .050 Nominal Metal Thickness	10'	Clear Anodized Finish
		CCINTIC1250PR			Primed Finish (Field Paint)
		CCINTIC1250CF			Powder Paint Finish (Custom Color)
		CCINTIC1250BL			Wet Paint Black
		CCINTIC1250WH			Wet Paint White