

# Attention Builders!!!

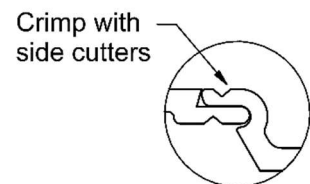
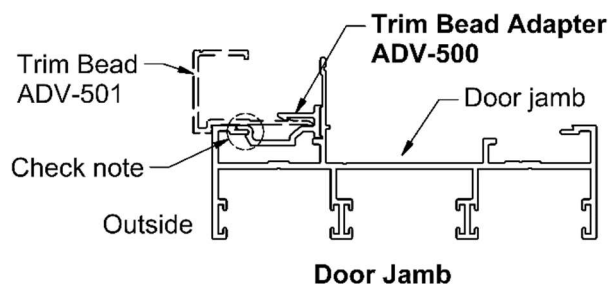
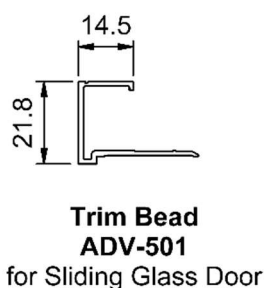
TRIM BEADS to all Sliding Glass Doors are now a “Standard” feature,  
matching the finish to Windows AMIA supply.

## Why?

- ✓ Helps you to neatly trim the door to the steel cladding and hide any fixings etc.
- ✓ Saves additional flashing costs and time

Scan QR code below to download our latest comprehensive Installation and Product Care Instruction Manuals. (We recommend printing this document.)

## Trim Bead Installation

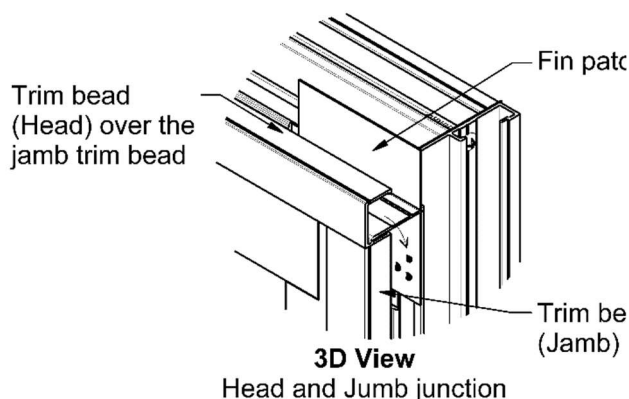


**Check note**  
Adapter crimped  
at Sill end by 2 jamps

**Adaptor (ADV-500)** will be clipped in the frame by AMIA.  
Check that it is crimped at the end sill to prevent it sliding down.  
**Note!!** The adaptors must be applied before the door frame is  
assembled. This are cut short to finish below the fin patch in each corner.

## Instructions

1. Follow our instruction in our Installation Manuals to assemble and install the door frame.
2. There are 2 trim beads provided for the jambs and 1 trim bead for the head framing.
3. The 2 trim beads for the jambs have been cut to fix to the frame allowing a 5mm gap under at the sill. Align this to the adaptor. It should finish 2mm below the head frame.
4. Apply the trim beads to both jambs using a rubber mallet beginning at one end by carefully tapping the trim bead until a “snap” sound is heard. The trim bead should now be engaged as shown in the figure above.
5. Align the head trim bead. This should be flushed and place over each jamb trim bead, allowing water to cascade from the head bead down the jamb trim beads. Repeat step 4 using the rubber mallet.



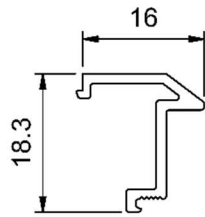
AMIA Installation Instructions  
Sliding Glass Door



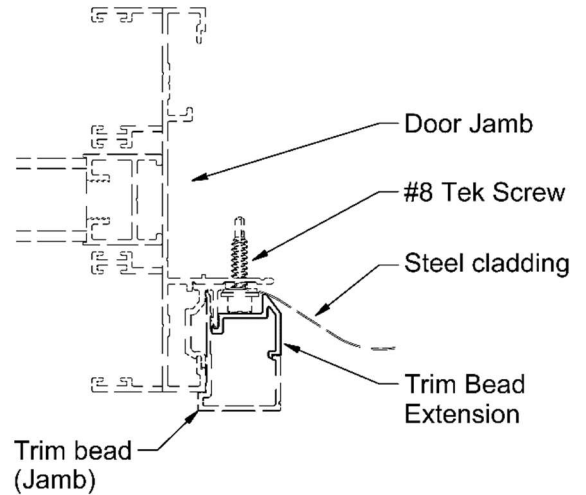
W: [amia.com.au](http://amia.com.au)  
P: 02 6652 6955  
E: [support@amia.com.au](mailto:support@amia.com.au)

# Trim Bead Extension

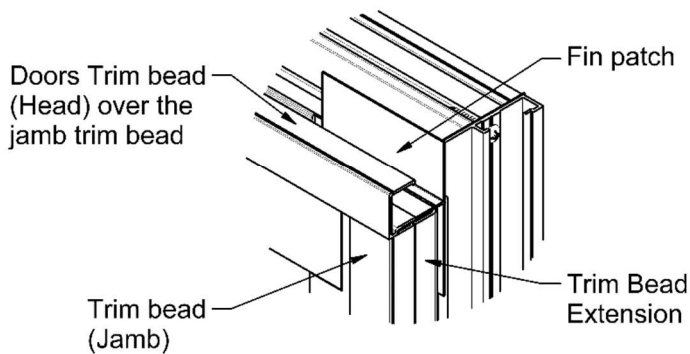
TRIM BEAD EXTENSION is available as a purchasing OPTION. These are also available for WINDOWS.



**Trim Bead Extension  
ADV-061**  
for Door and Windows



**Section View from Jamb**



**3D View**  
Head and Jamb junction

AMIA recommends **printing** these so all Shed Builders have these Manuals available to assist them with Installing our Products effectively. List of downloadable Documents.



AMIA Installation Instructions - Sliding Glass Window



Special Instruction - Sealing of Coupled Window



AMIA Installation Instructions - Louver



Cleaning and Maintenance Instructions



Barn Window Installation Instruction



Product Care Instructions