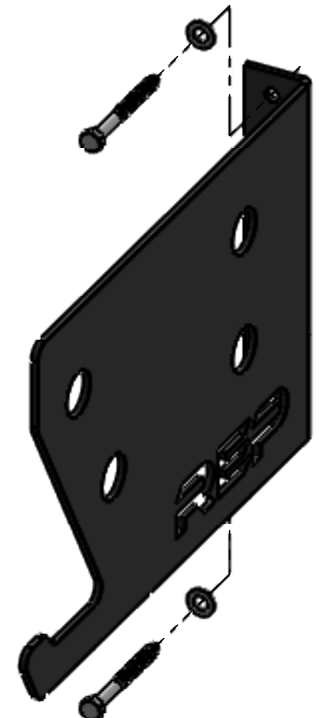
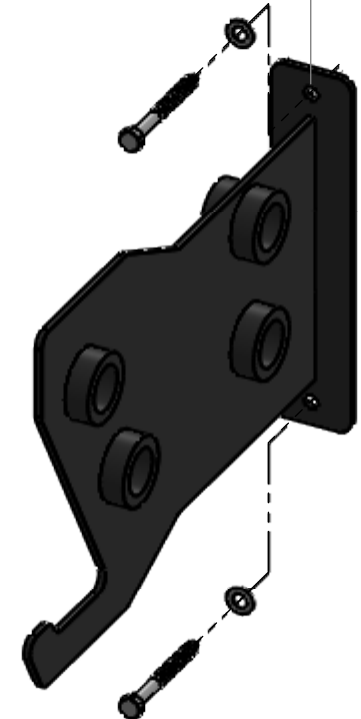
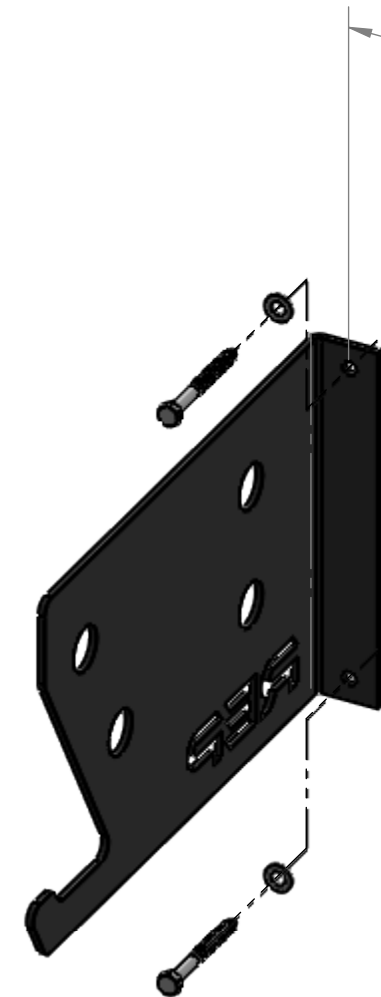
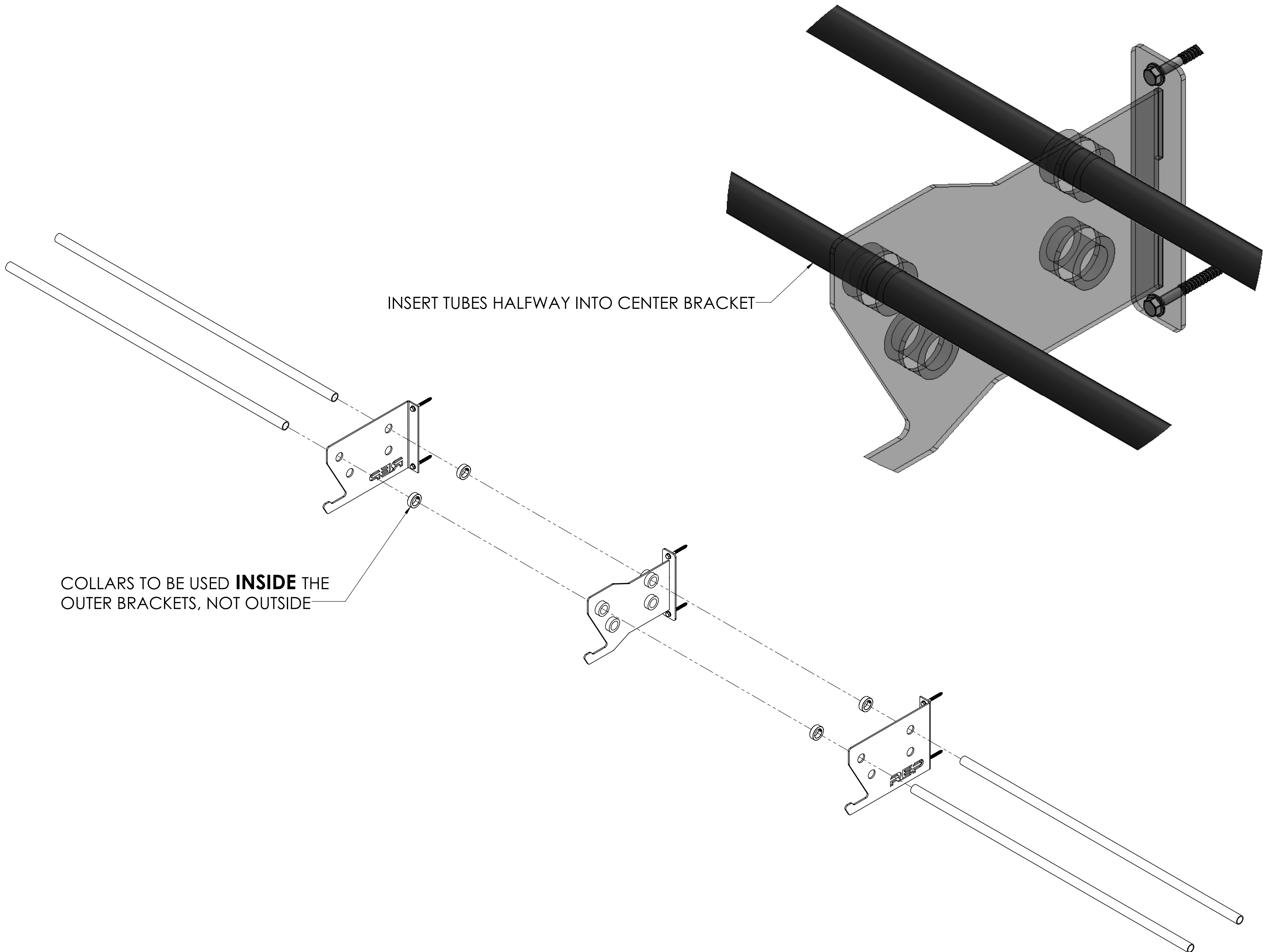


# WALL BALL STORAGE ASSEMBLY INSTRUCTIONS (WITH ADD-ON)

MOUNT EACH BRACKET IN A STUD (IF APPLICABLE)

WITH STANDARD STUD SPACING (16" ON CENTER), RECOMMENDED SPACING IS 48" BETWEEN MOUNTING HOLES





INSERT TUBES HALFWAY INTO CENTER BRACKET

COLLARS TO BE USED **INSIDE** THE OUTER BRACKETS, NOT OUTSIDE