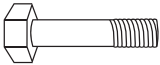
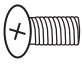


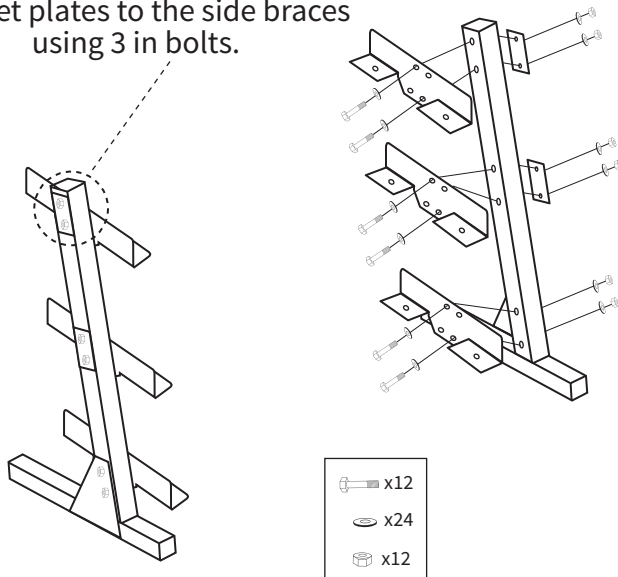


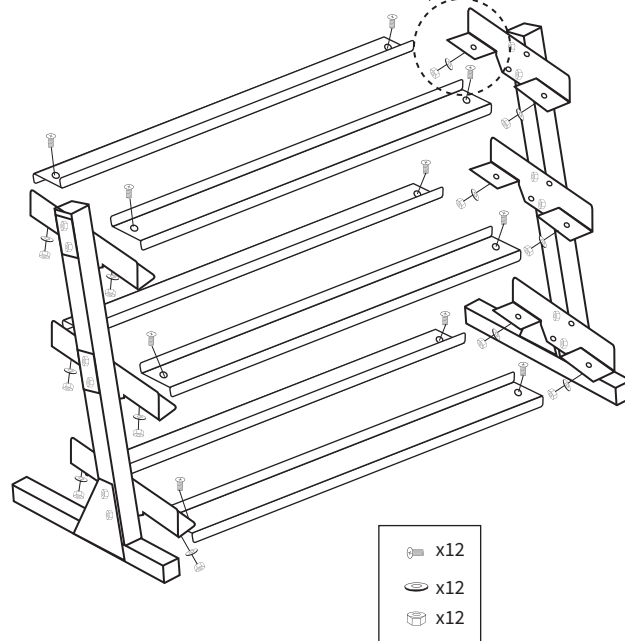
## DUMBBELL RACK ASSEMBLY INSTRUCTIONS

PARTS INCLUDED:	HARDWARE INCLUDED:			
2 Side Braces 3 Back Shelf 3 Front Shelf 6 Support Brackets 6 Support Bracket Back Plates 4 Foot Covers	3 In Bolt x 12 	.79 In Bolt x 12 	Small Washer x 36 	Nut x 24 

1. Attach support brackets and bracket plates to the side braces using 3 in bolts.



2. Secure each side of the front and back shelves to the support brackets that are connected to the side braces.



3. Slide on rubber foot covers to protect floors.

