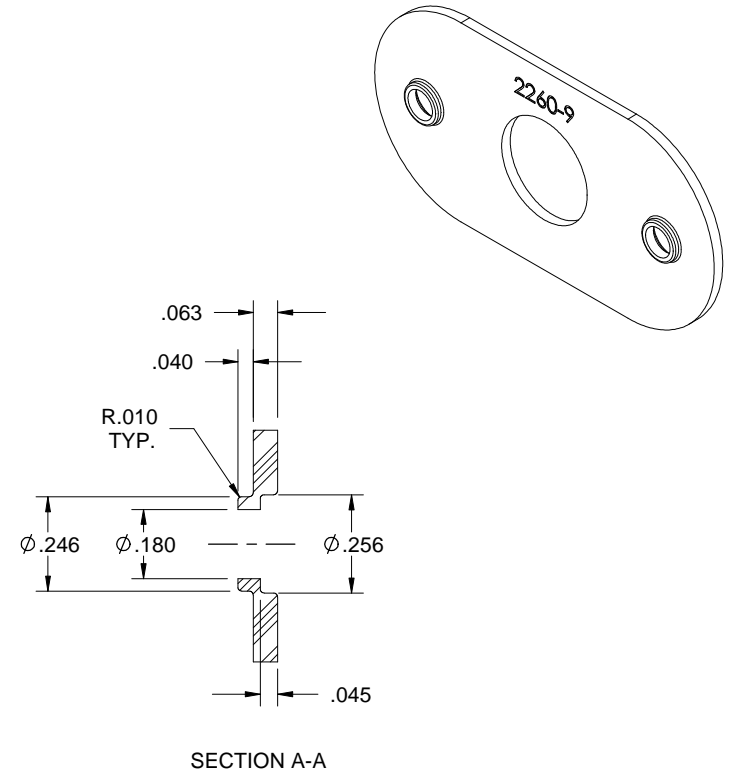
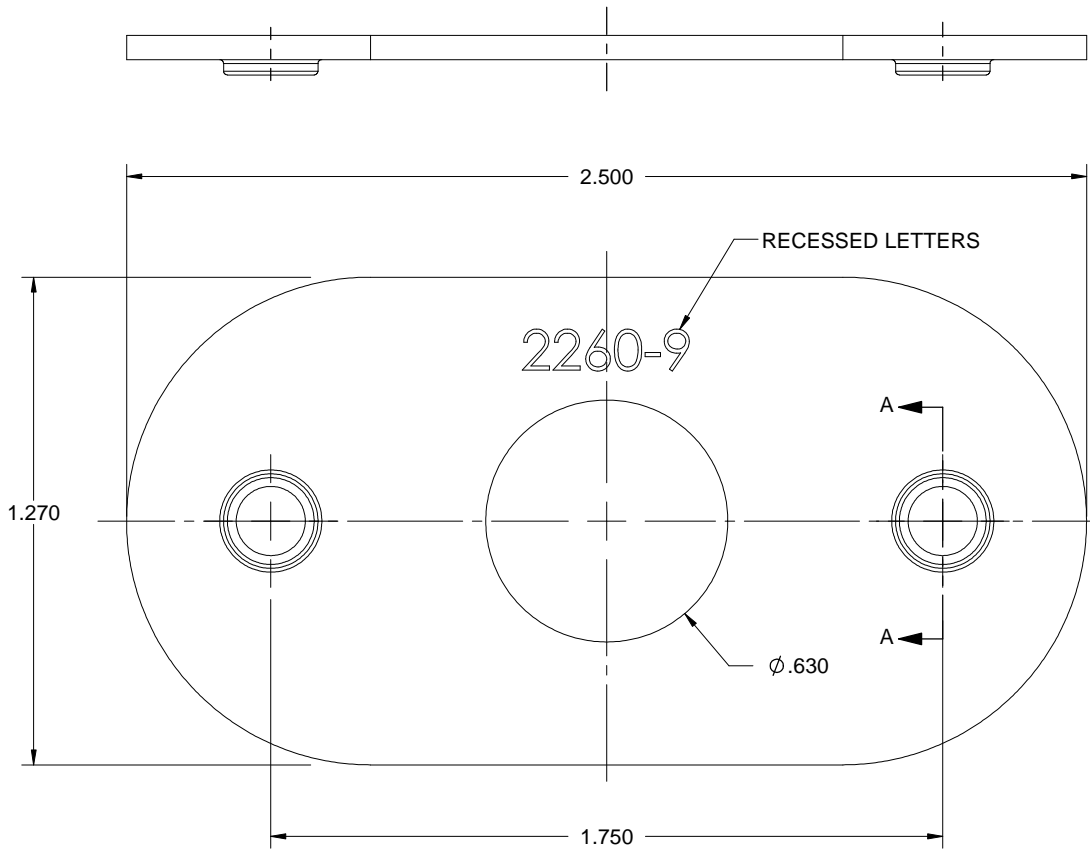


NOTE:

1. DRAFT ANGLE IS 1° UNLESS OTHERWISE SPECIFIED
2. REFER TO 3D MODEL FOR ALL OTHER DIMENSIONS

REVISIONS				
ZONE	REV.	DESCRIPTION	DATE	APPROVED
	1	INITIAL RELEASE	2005-09-14	DEX



	NAME	DATE	IDEAL SECURITY INC		
DRAWN	DEX	2005-09-14			
CHECKED	DEX	2005-09-14	TITLE: SHIM		
ENG APPR.	DEX	2005-09-14			
MATERIAL			SIZE	DWG. NO.	REV
PP Copolymer			A	2260-9	1
FINISH			SCALE: 2:1	WEIGHT: 0.005 lb	SHEET 1 OF 1
AS PER ORDER					

UNLESS OTHERWISE SPECIFIED:
 DIMENSIONS ARE IN INCHES
 TOLERANCES:
 X : ± 0.030
 .XX : ± 0.020
 .XXX: ± 0.010
 ANGULAR: $\pm 0.5^\circ$
 BEND: $\pm 0.5^\circ$

PROPRIETARY AND CONFIDENTIAL
 THE INFORMATION CONTAINED IN THIS DRAWING IS THE SOLE PROPERTY OF IDEAL SECURITY INC. ANY REPRODUCTION IN PART OR AS A WHOLE WITHOUT THE WRITTEN PERMISSION OF IDEAL SECURITY INC IS PROHIBITED.

DO NOT SCALE DRAWING