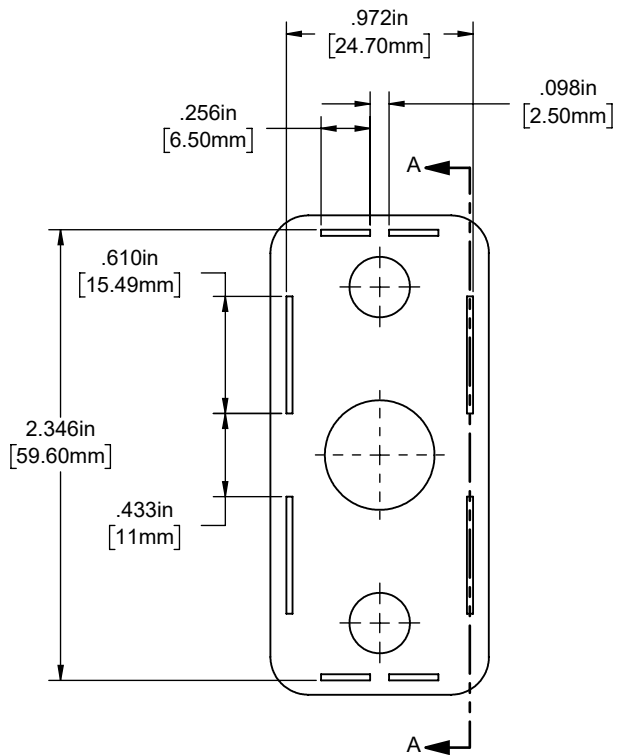
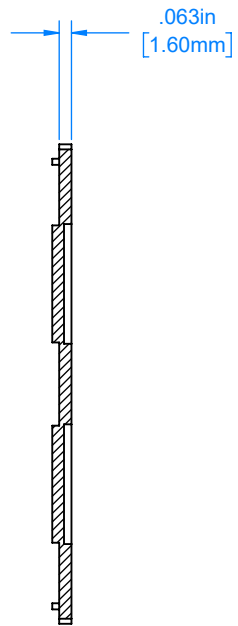


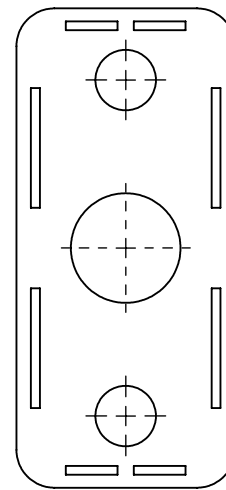
# SHIM FOR 357A LATCH



FRONT VIEW



SECTION A-A



BACK VIEW

