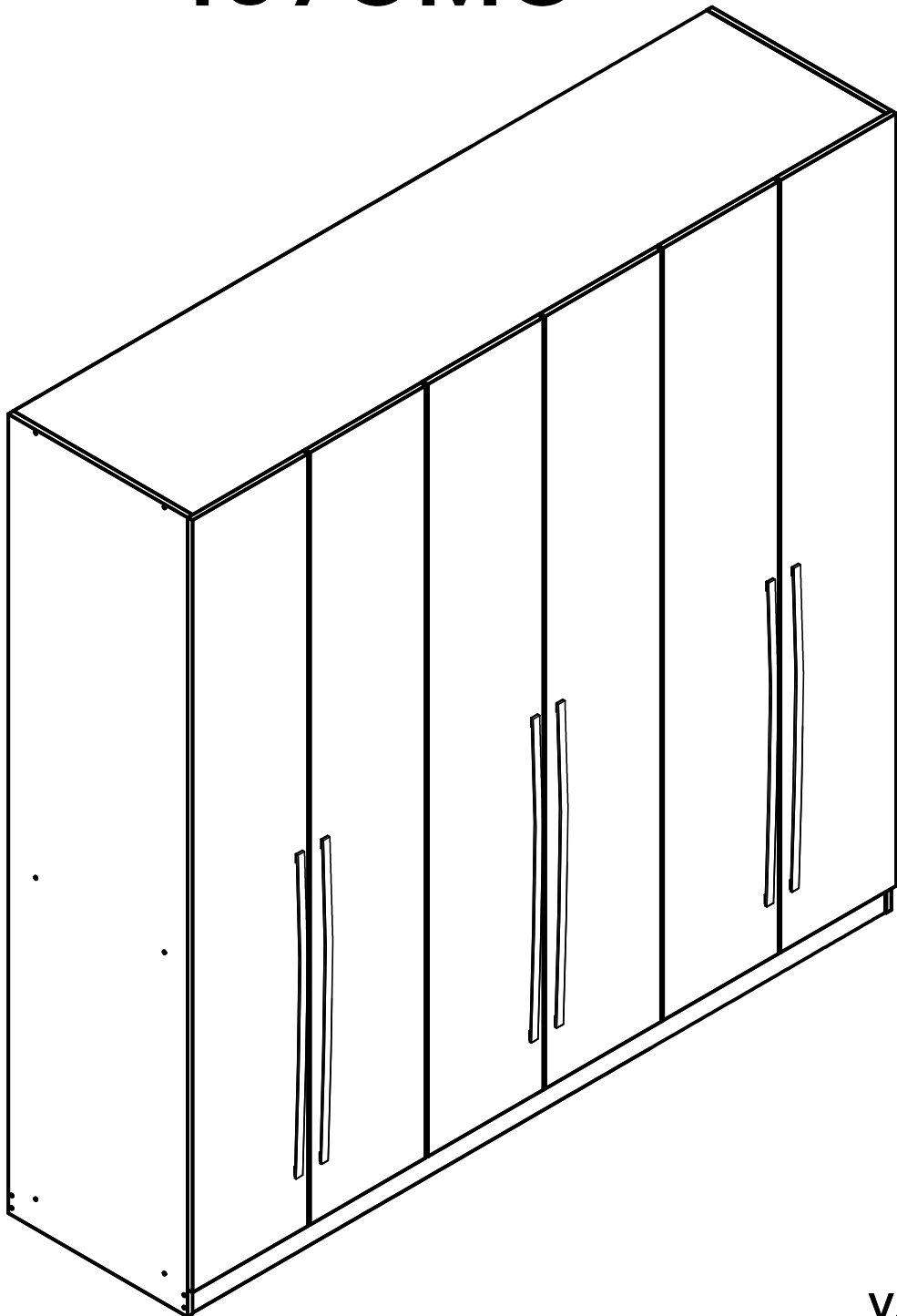


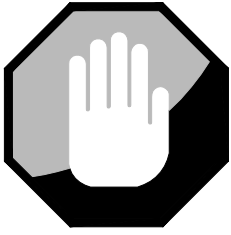


MANHATTAN
COMFORT

107GMC



V.01092023



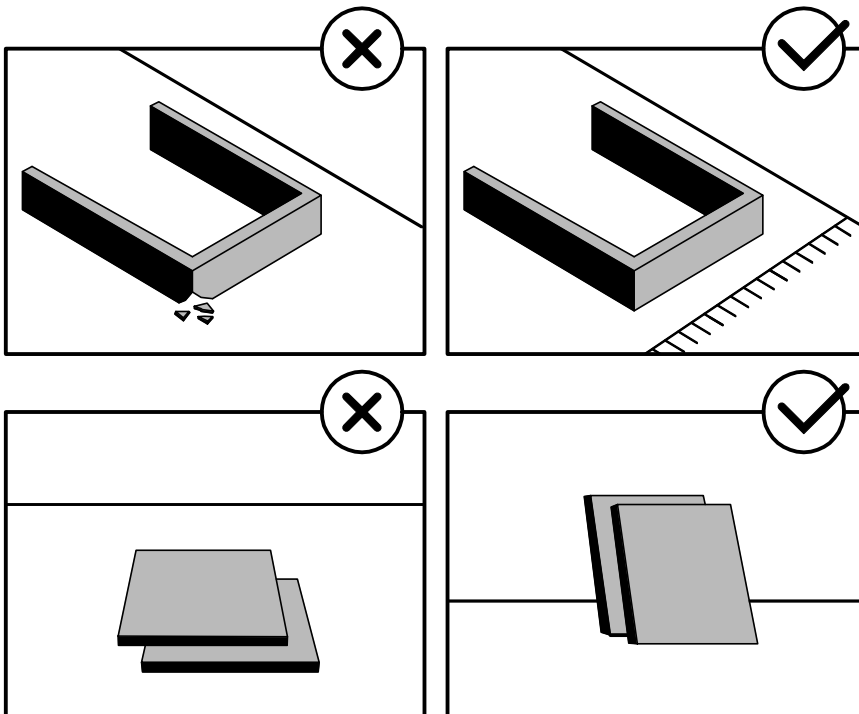
STOP!

Before beginning the assembly process, ensure all boxes and parts have been delivered.

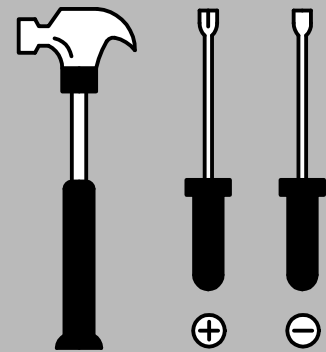
ATTENTION: BEFORE START ASSEMBLING TAKE A PICTURE OF THE LABELS ON THE PACKAGES, THIS WILL BE REQUIRED IN CASE THE PRODUCT HAS ANY ASSISTANCE DEMAND.

FOR BEST RESULTS:

- Do not throw away packaging materials until assembly is complete.
- Assemble item on a soft surface, such as cardboard or carpet, to protect finish.
- Proper assembly requires two people.



TOOLS REQUIRED



SUPPORT SITE

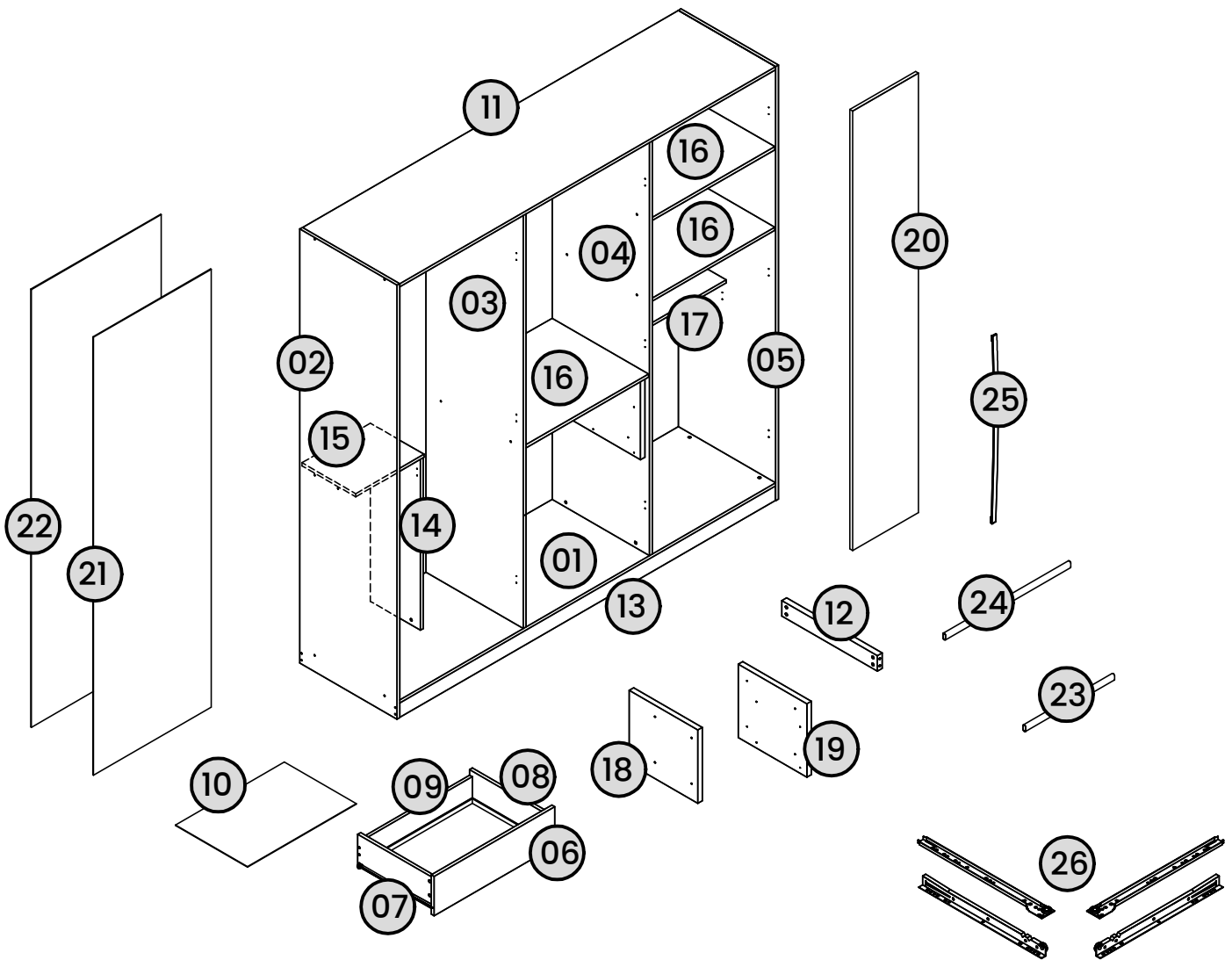


View our assembly video online
WWW.MANHATTANCOMFORT.COM



Stuck? Question? We are here to help.
 tel: **908-888-0818**
 e-mail: help@manhattancomfort.com

Included in this package:



01. Base panel	01	14. Smaller partition	01
02. Left Side panel	01	15. Smaller shelf	01
03. Left partition panel	01	16. Larger shelves	03
04. Right partition panel	01	17. Medium shelf	01
05. Right side panel	01	18. Left support of the drawer's slide	01
06. Front of the drawer	02	19. Right support of the drawer's slide	01
07. Side of drawer - Left	02	20. Doors	06
08. Right of drawer - Right	02	21. Smaller back panel	01
09. Rear panel of the drawer	02	22. Larger back panel	02
10. Base of the drawer	02	23. Smaller aluminum hanger bar	01
11. Top panel	01	24. Larger aluminum hanger bar	03
12. Smaller crossbar	02	25. Handle	06
13. Larger crossbar	02	26. Slides	02

Included in this package:

A - x108



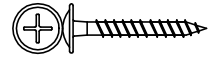
B - x42



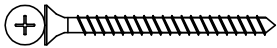
C - x64



D - x16



E - x08



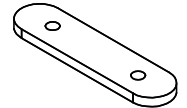
F - x28



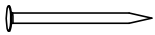
G - x28



H - x08



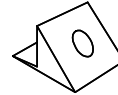
I - x74



J - x20



K - x08



L - x08



M - x22



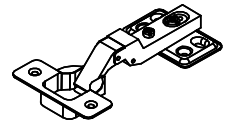
N - x08



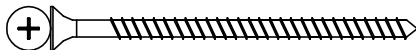
O - x75



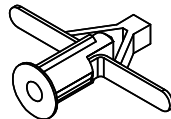
P - x18



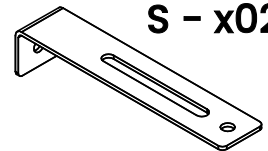
Q - x02



R - x02



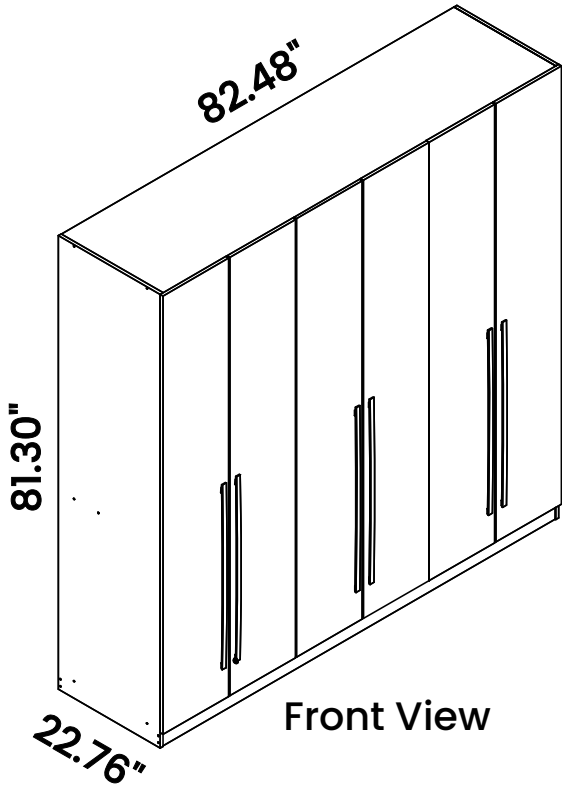
S - x02



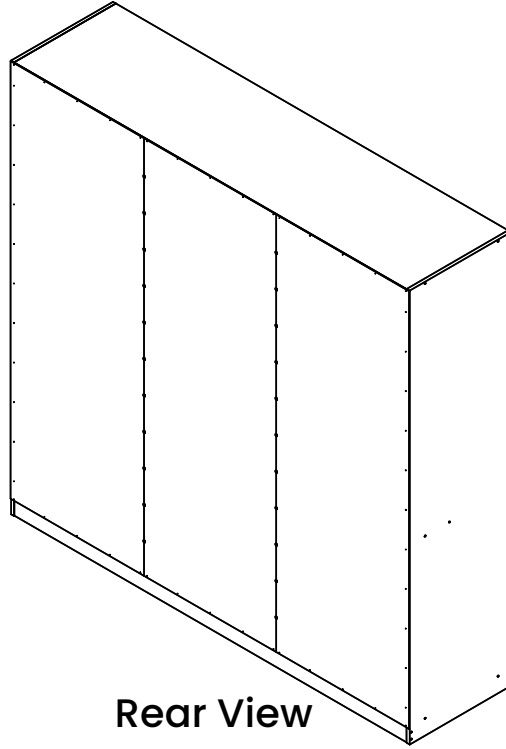
Where to find the items:

BOX - 1	BOX - 2	BOX - 3	BOX - 4
20	02 03 04 05	01 17 06 21 11 22 13 23 14 24 15 25	07 A J S 08 B K 09 C L 10 D M 12 E N 16 F O 18 G P 19 H Q 26 I R

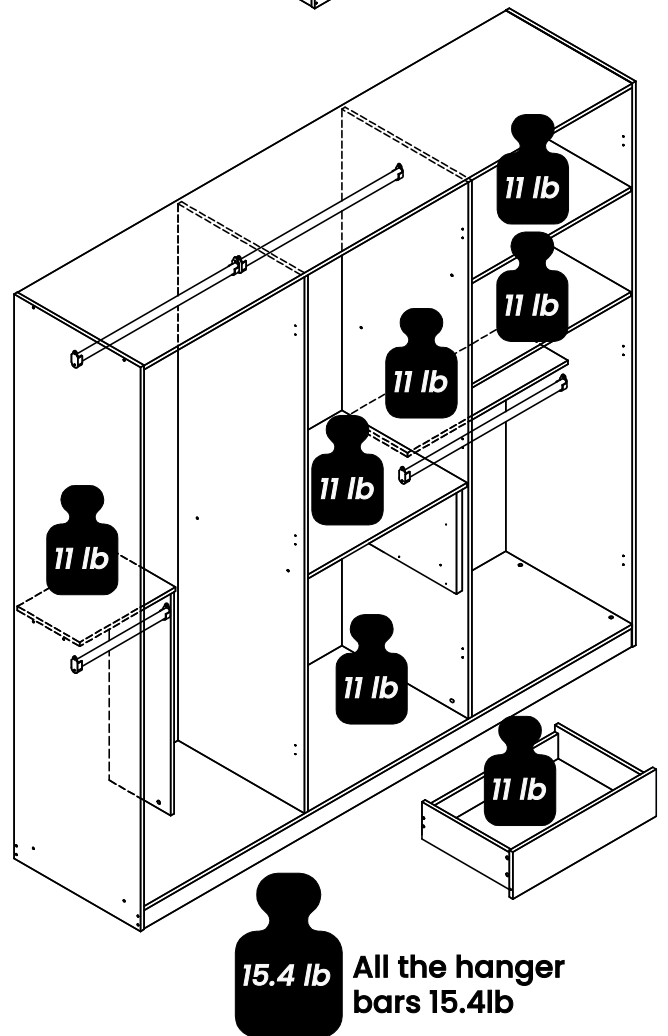
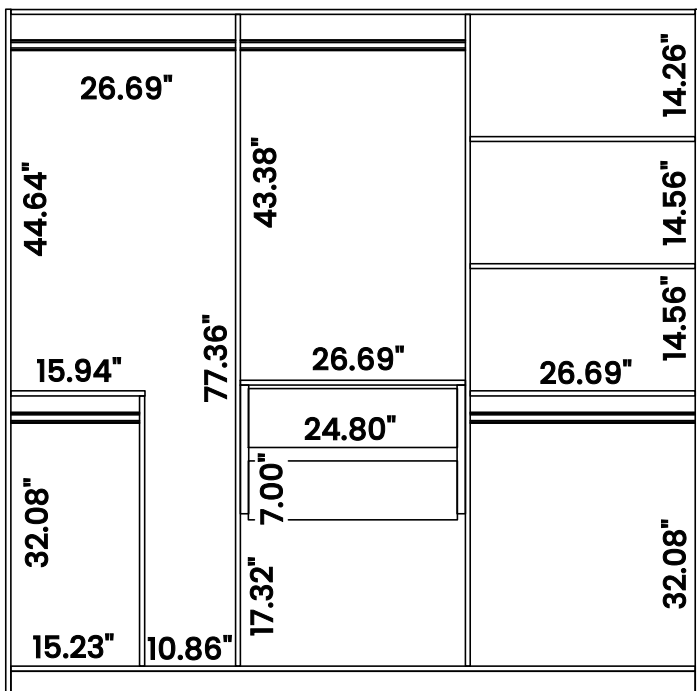
Weight capacity:



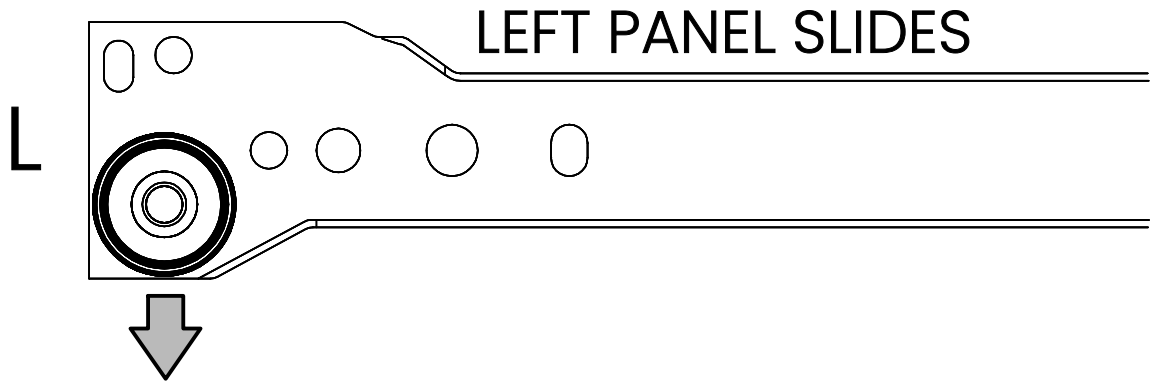
Front View



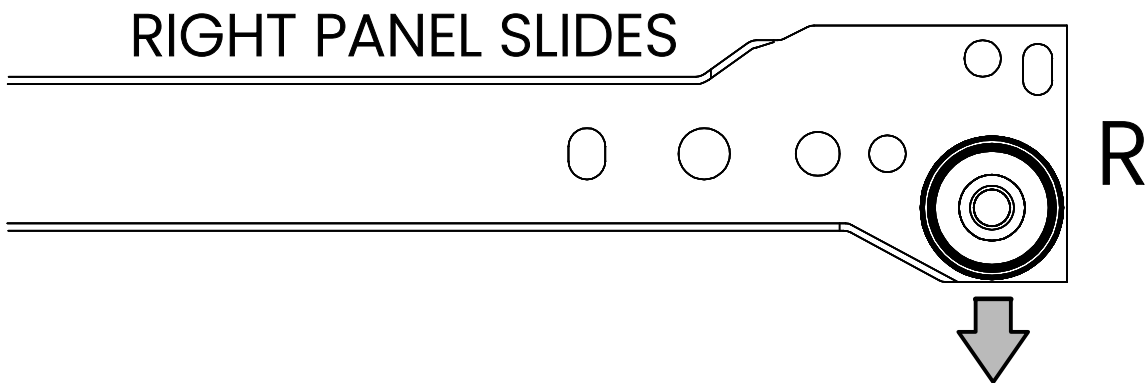
Rear View



HOW TO IDENTIFY THE SLIDES?

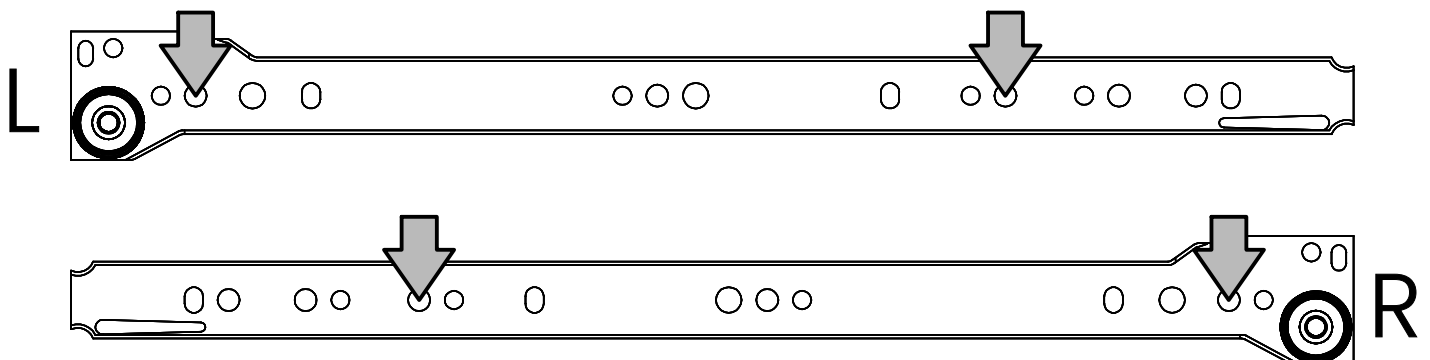


*plastic wheel always pointed to the ground.



*plastic wheel always pointed to the ground.

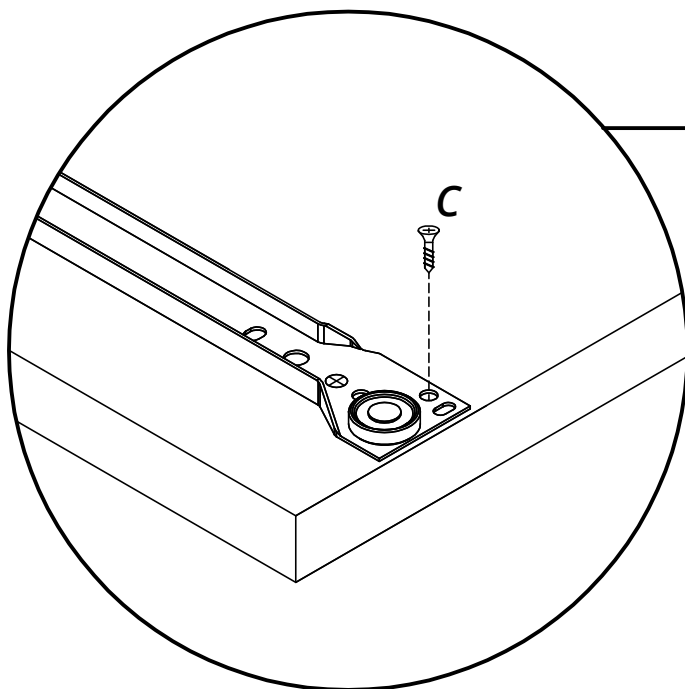
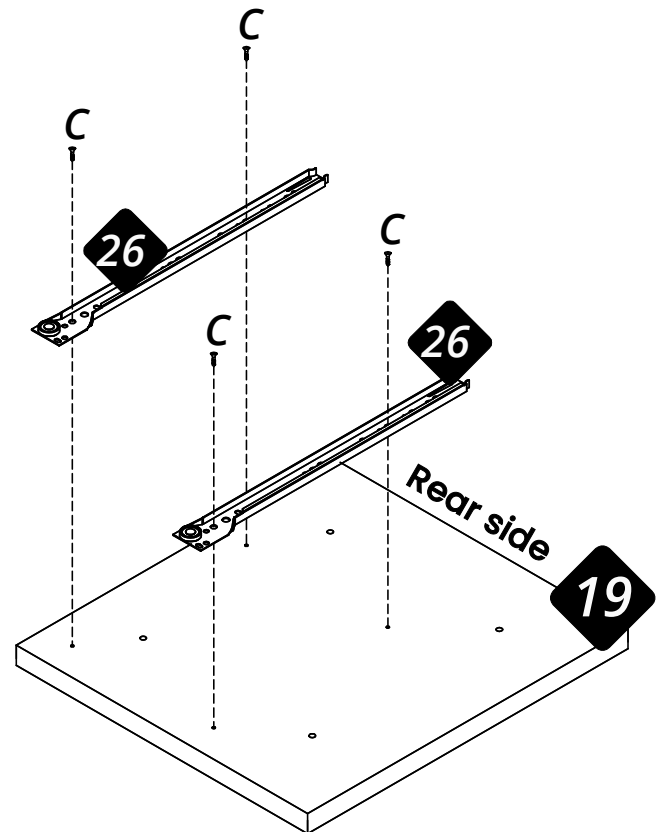
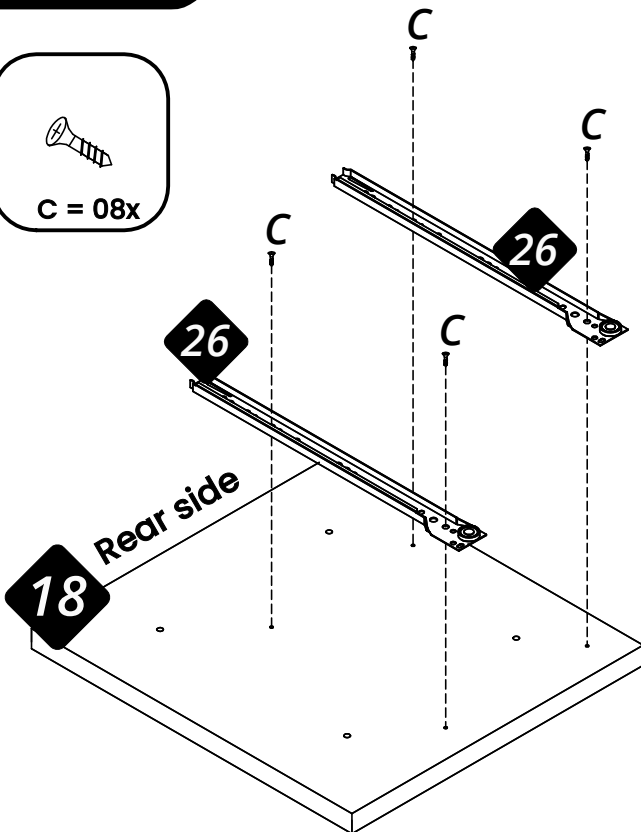
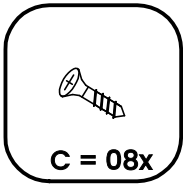
WICH HOLES TO ATTACH THE SCREWS?



Attention, all the assemblage must be done on the cardboard box or the Styrofoam boards to avoid damage to the parts.

- It is mandatory two people to assemble
- It is recommended to use a ladder

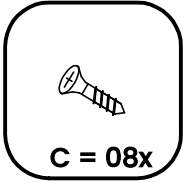
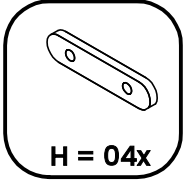
Step 01



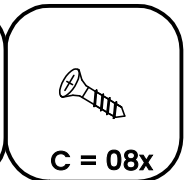
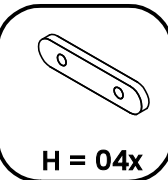
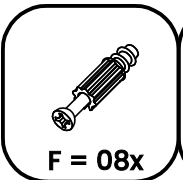
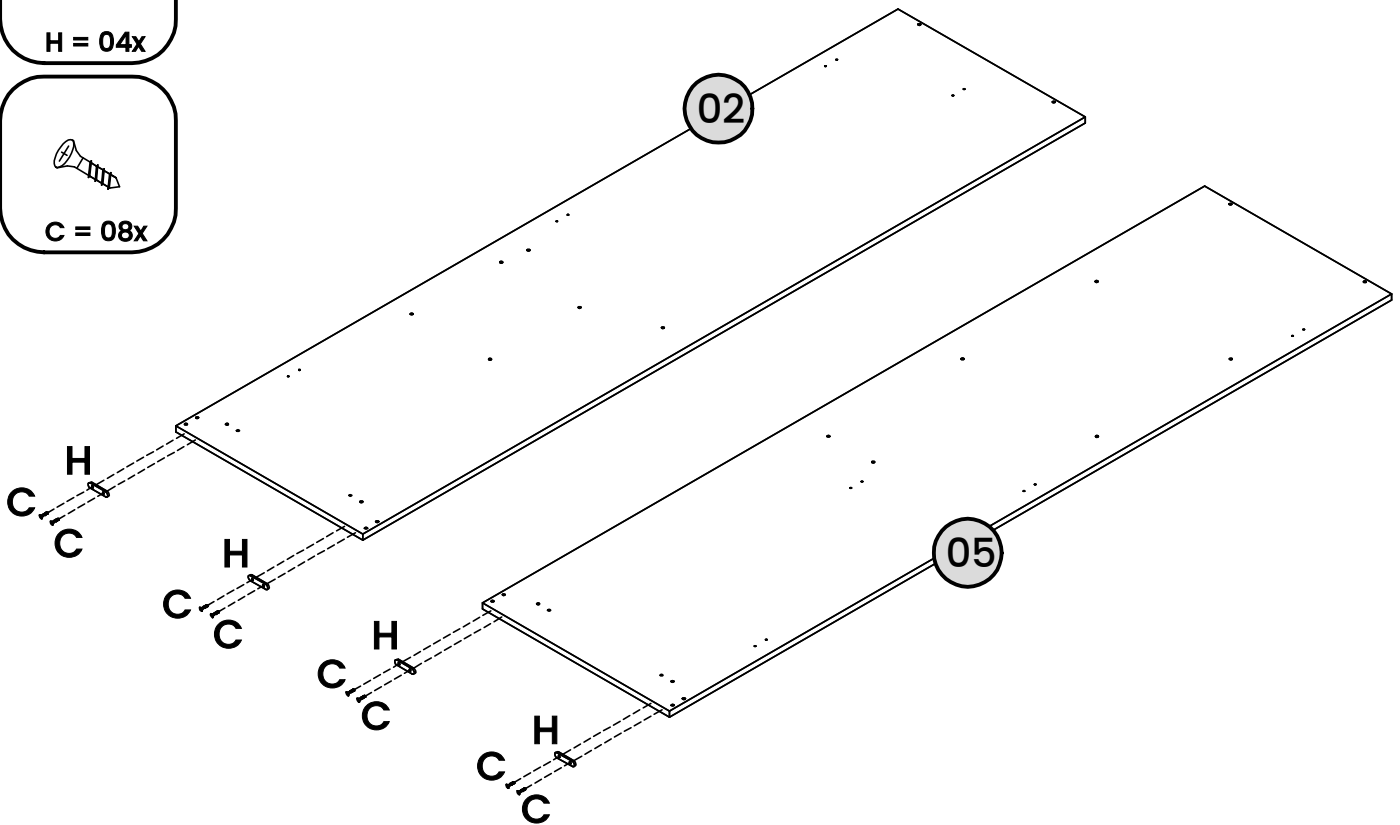
ATTENTION!

It is mandatory to apply the screw (C), observe there is no hole at this position.

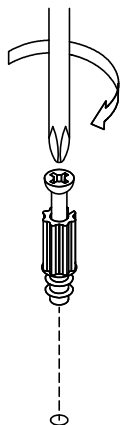
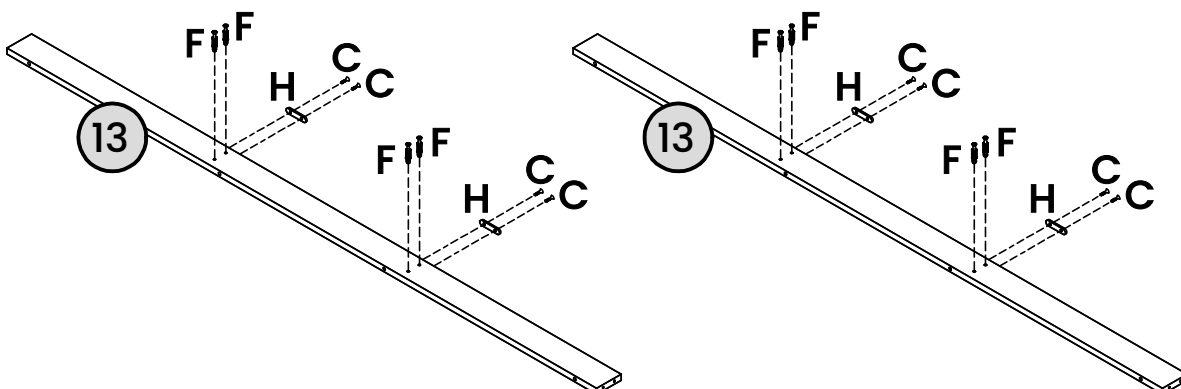
Step 02



Connect the hardware (H) onto the parts 02, 05 and 13 with the hardware (C).



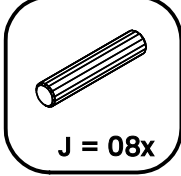
Apply the hardware (F) into the part 13. The hardware (F) must be applied on the opposite side of the holes on the part 13.



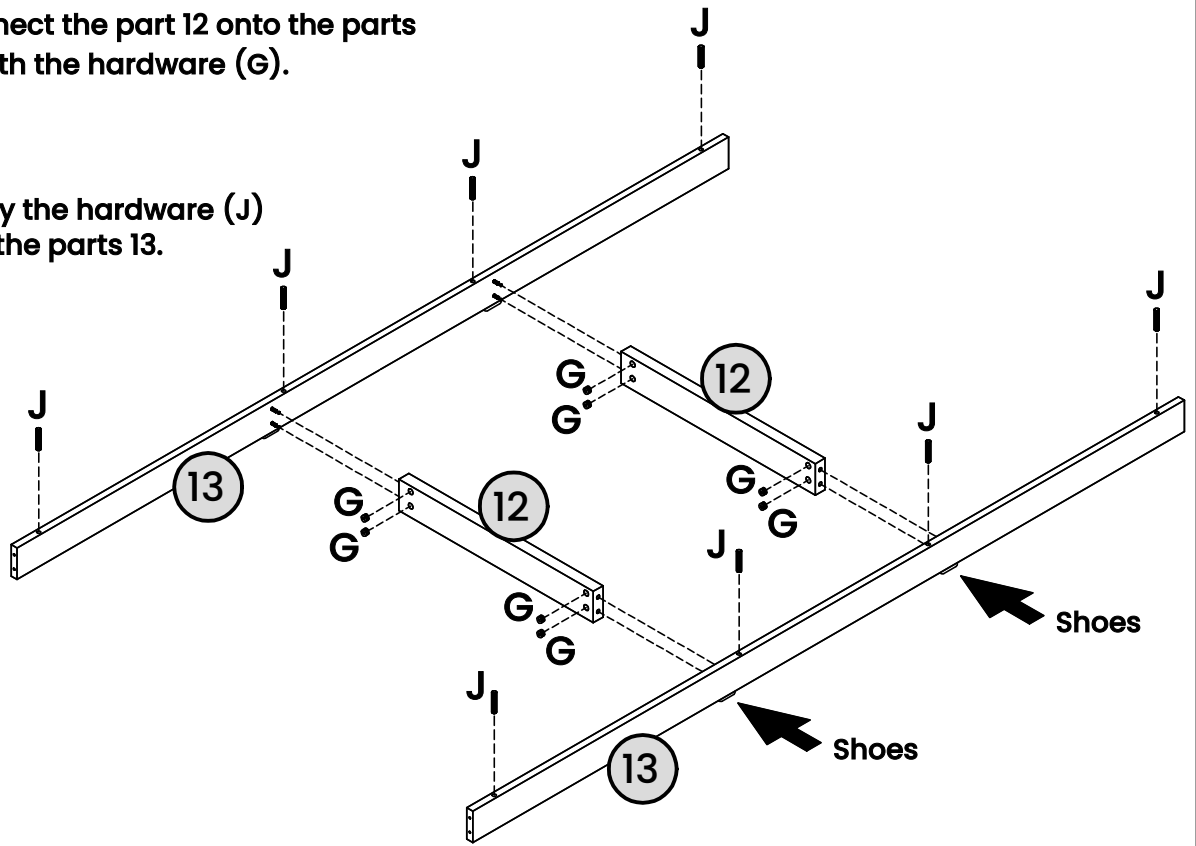
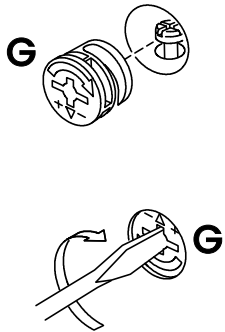
Step 03



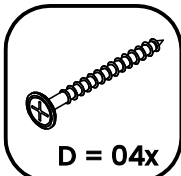
Connect the part 12 onto the parts 13 with the hardware (G).



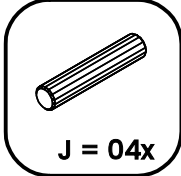
Apply the hardware (J) into the parts 13.



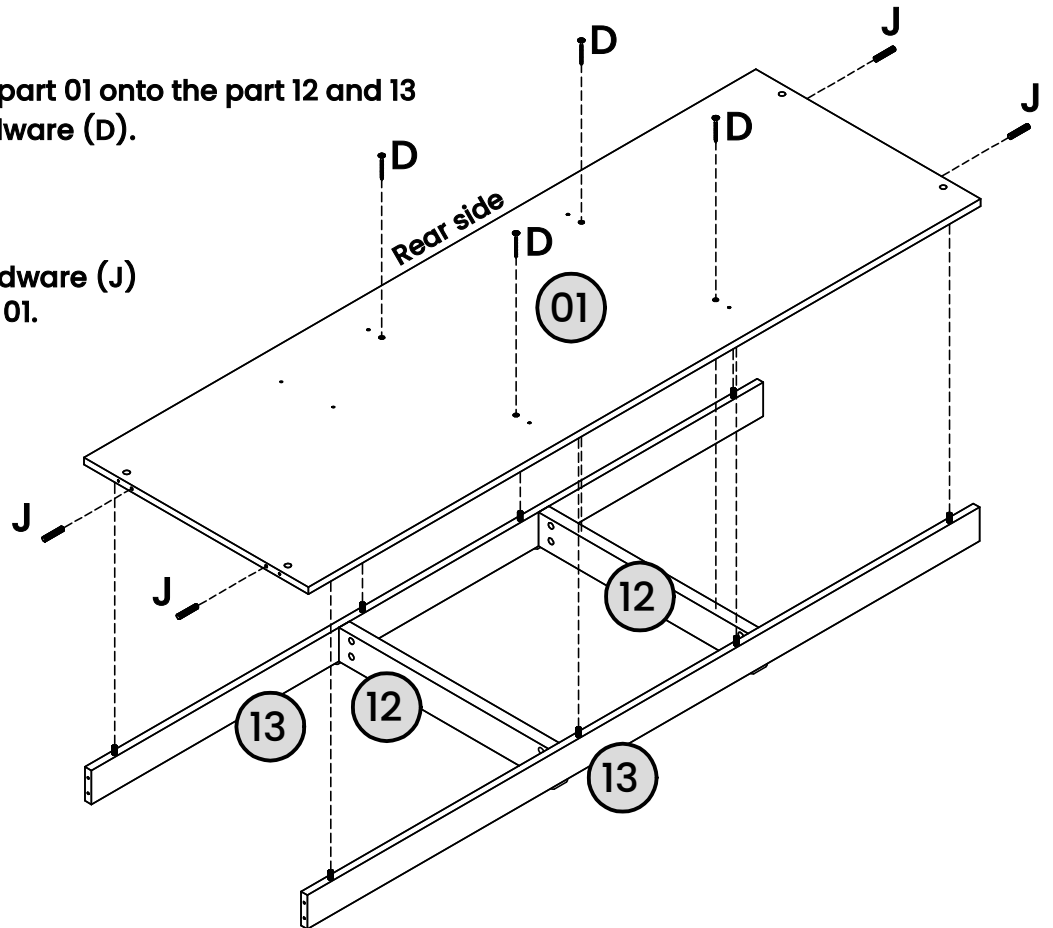
Step 04



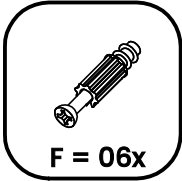
Connect the part 01 onto the part 12 and 13 with the hardware (D).



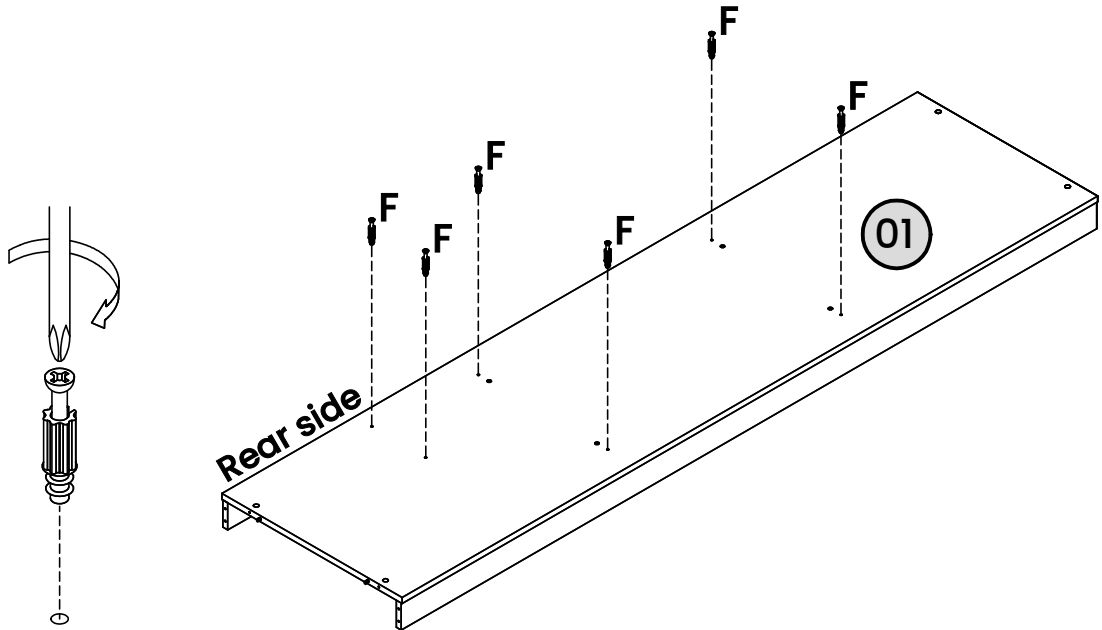
Apply the hardware (J) into the parts 01.



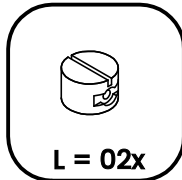
Step 05



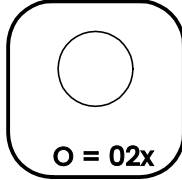
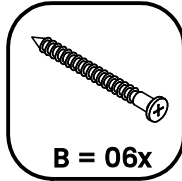
Apply the hardware (F) into the part 01.



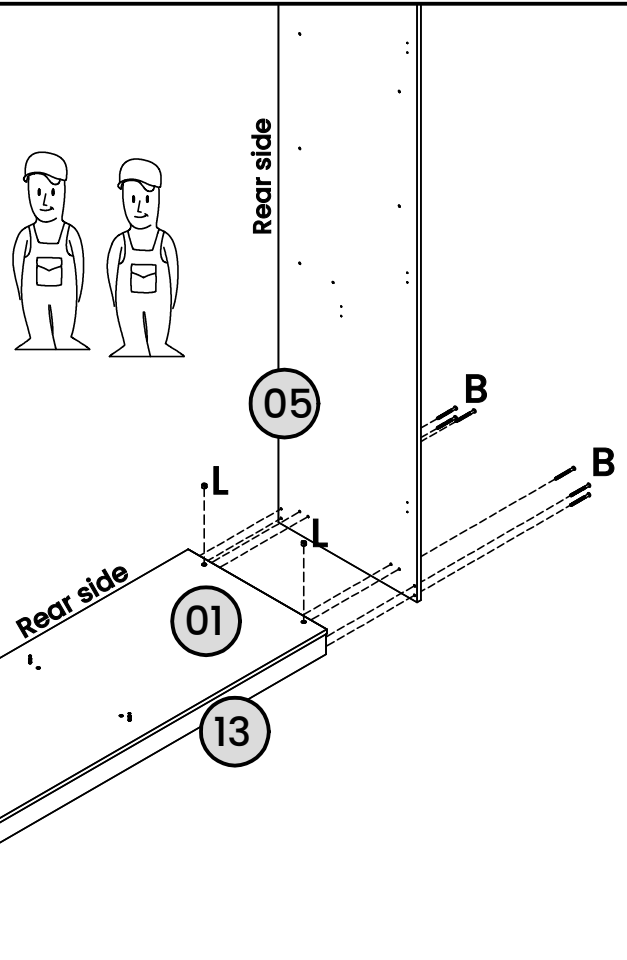
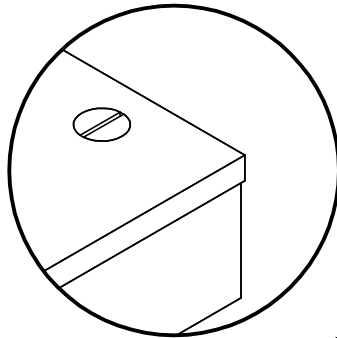
Step 06



Connect the part 05 onto the parts 01 and 13 with the hardware (L + B).

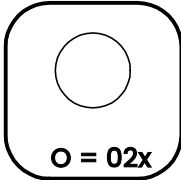


Observe the position of the hardware (L).

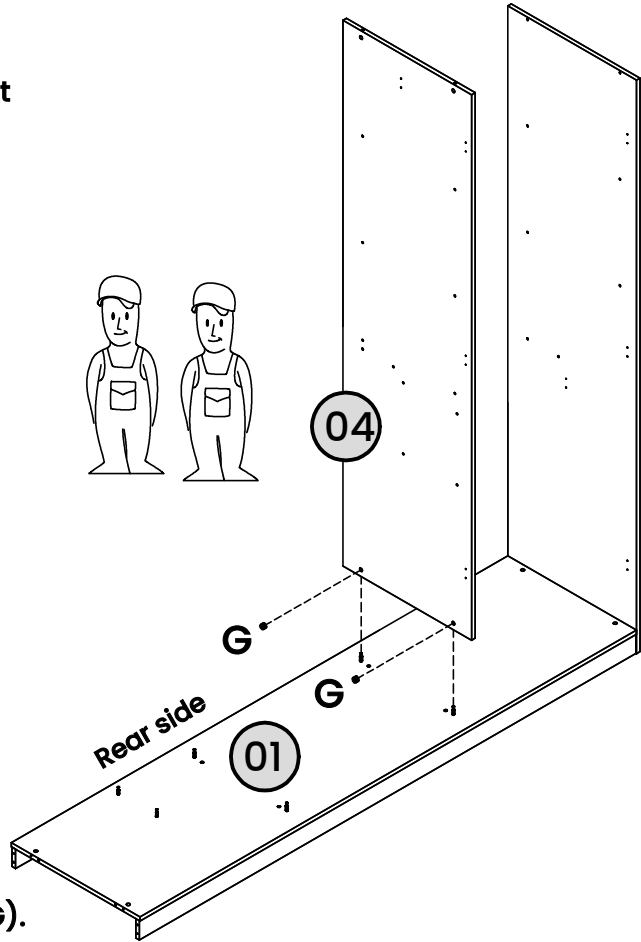
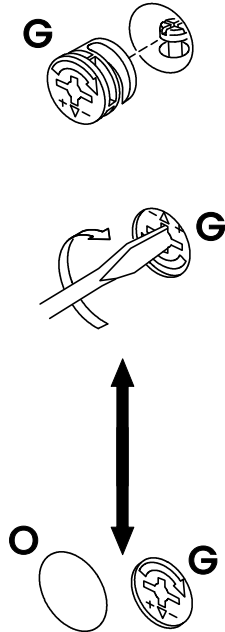


Apply the hardware (O) onto the hardware (L).

Step 07

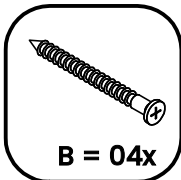


Connect the part 04 onto the part 01 with the hardware (G).

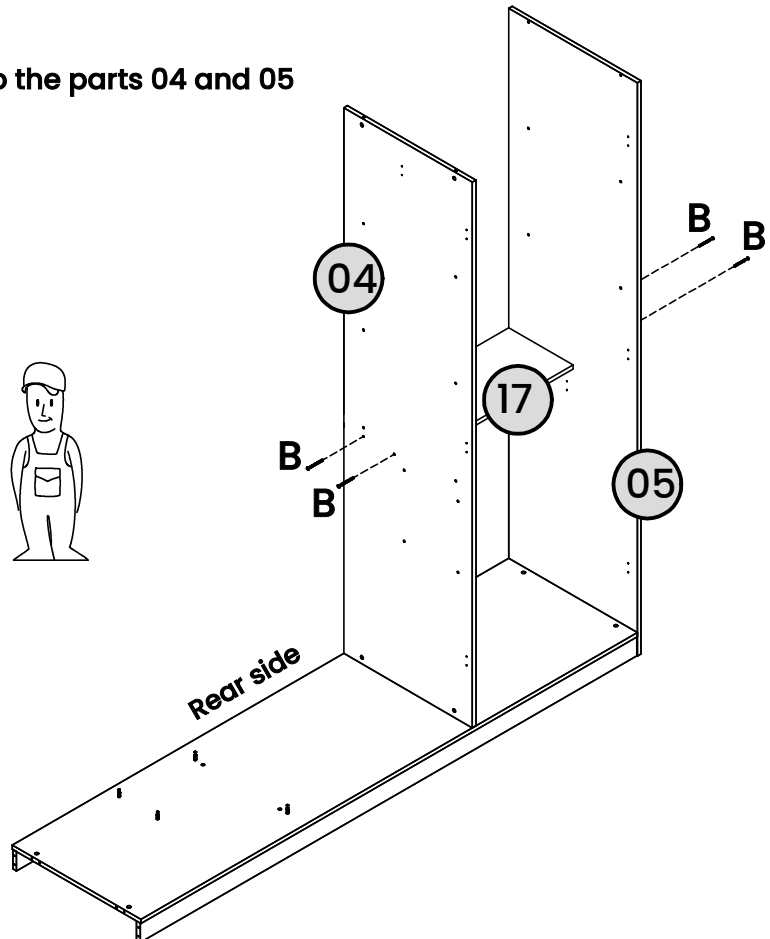
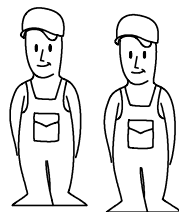


Apply the hardware (O) onto the hardware (G).

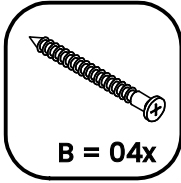
Step 08



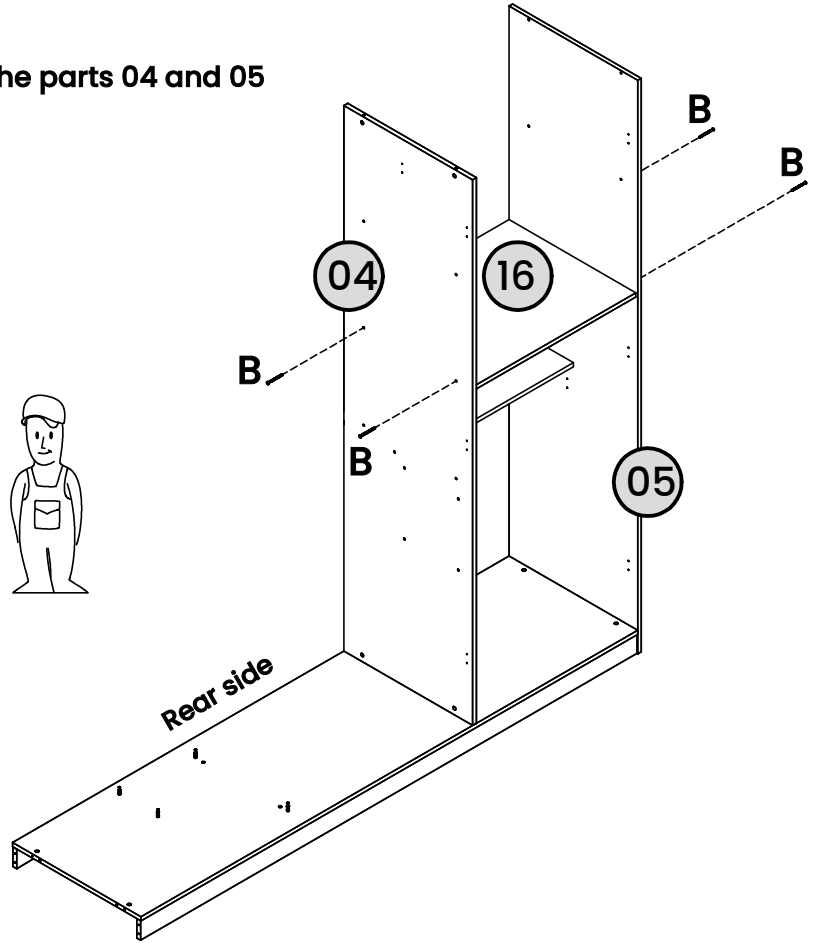
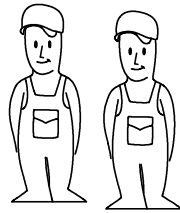
Connect the part 17 onto the parts 04 and 05 with the hardware (B).



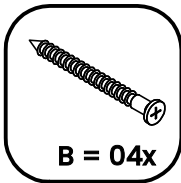
Step 09



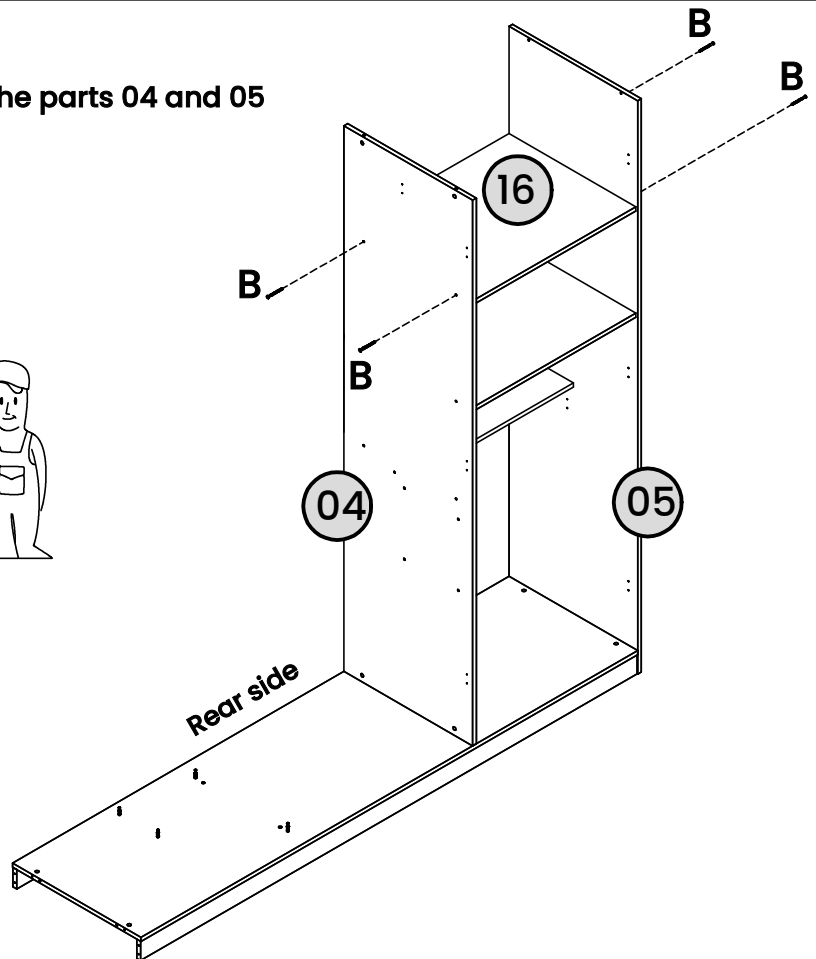
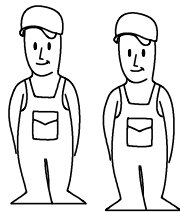
Connect the part 16 onto the parts 04 and 05 with the hardware (B).



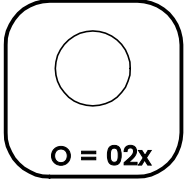
Step 10



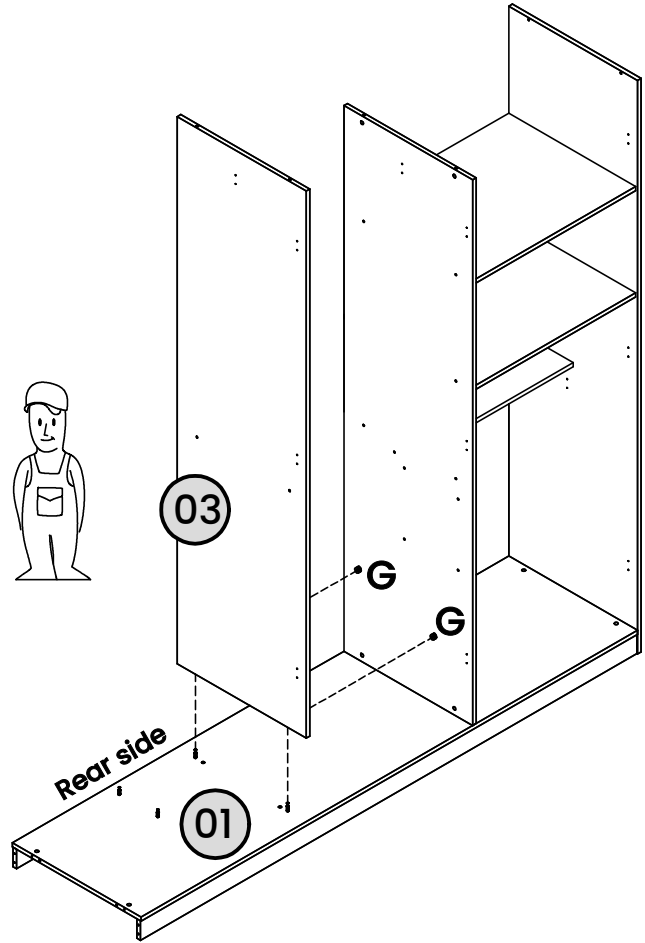
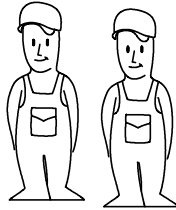
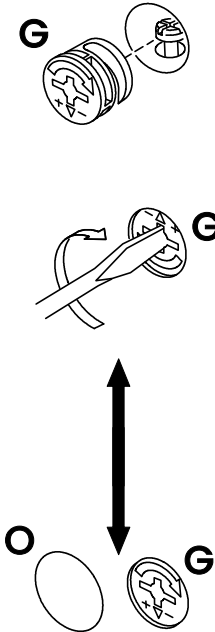
Connect the part 16 onto the parts 04 and 05 with the hardware (B).



Step 11

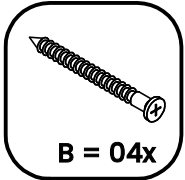


Connect the part 03 onto the part 01 with the hardware (G).

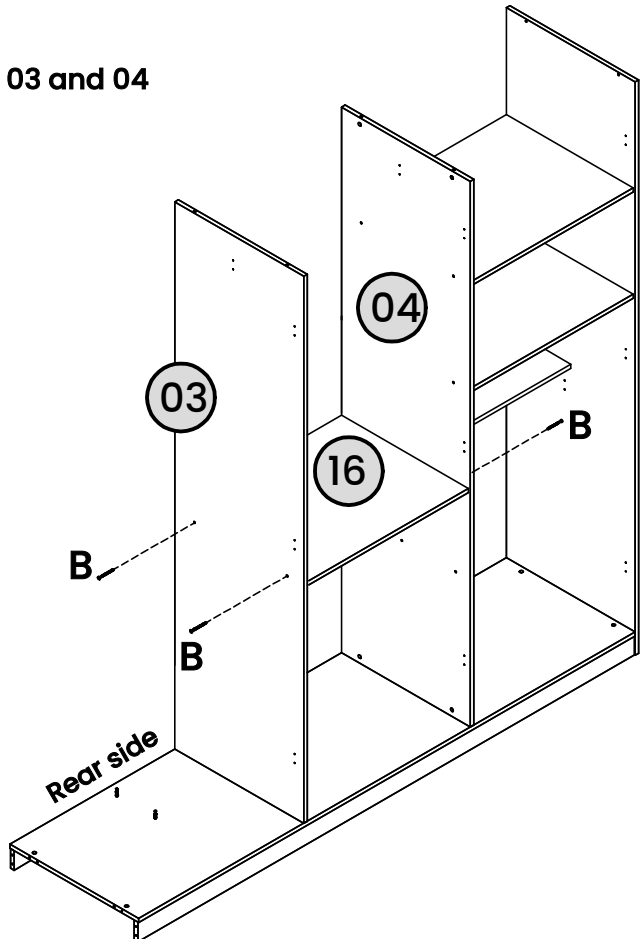
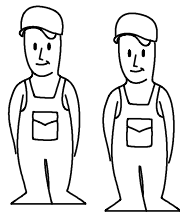


Apply the hardware (O) onto the hardware (G).

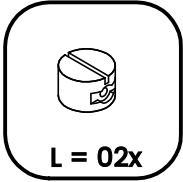
Step 12



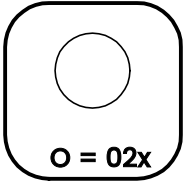
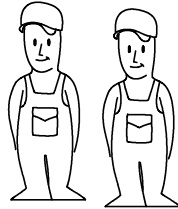
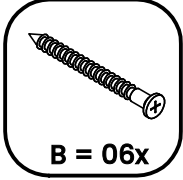
Connect the part 16 onto the parts 03 and 04 with the hardware (B).



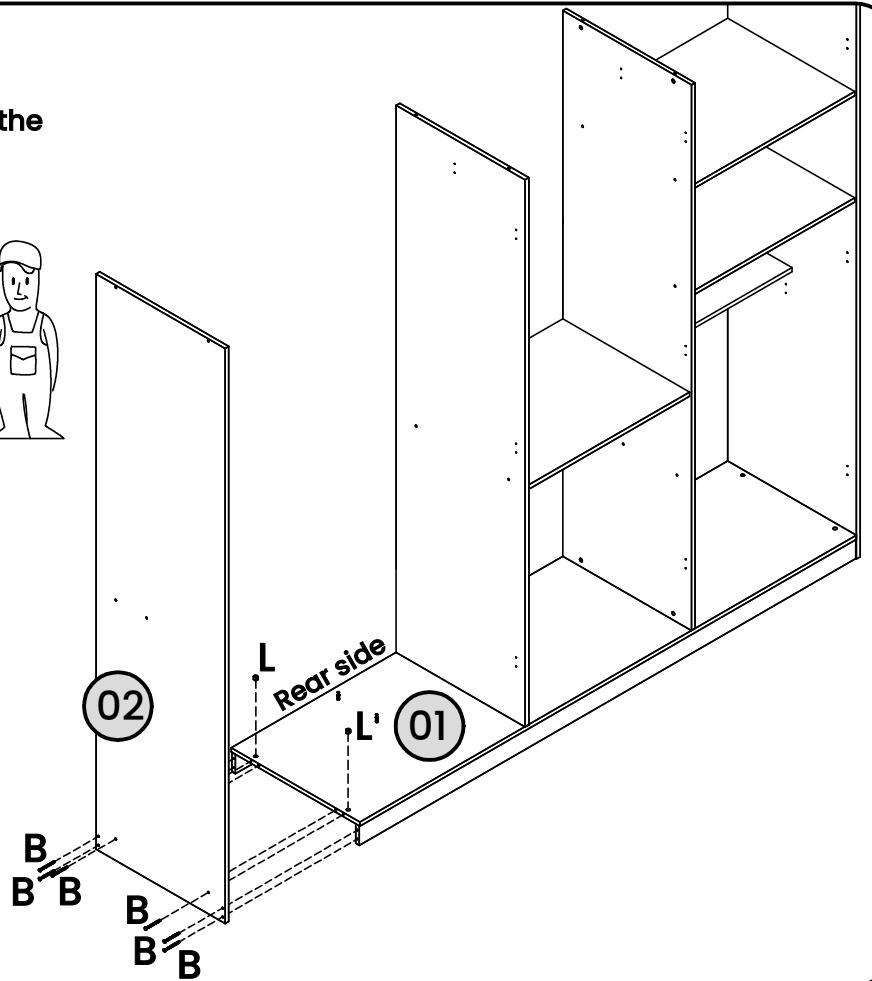
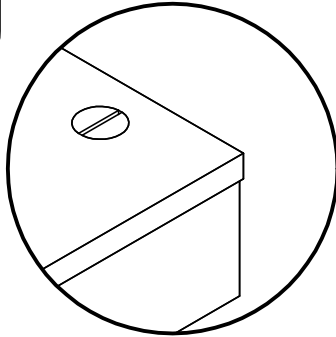
Step 13



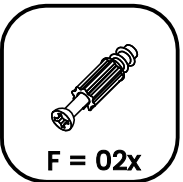
Connect the part 02 onto the parts 01 and 13 with the hardware (L + B).



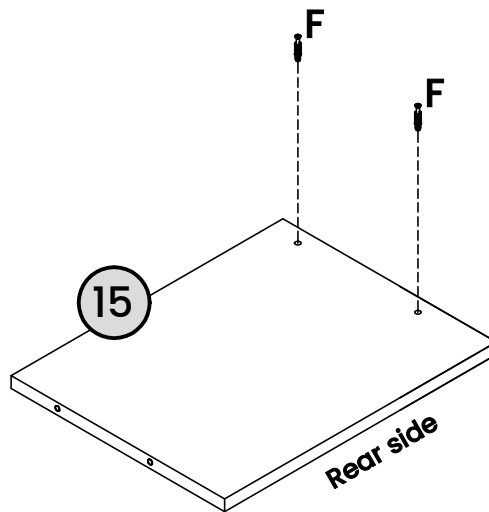
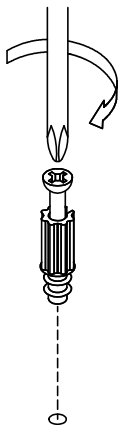
Observe the position of the hardware (L).



Step 14



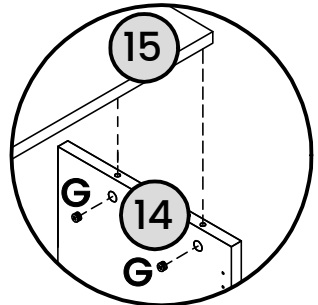
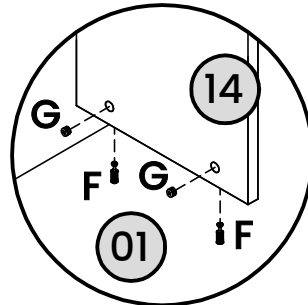
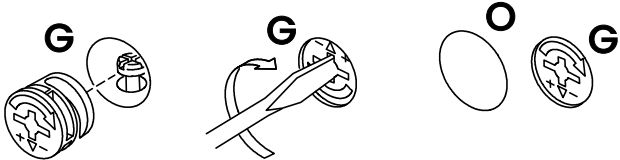
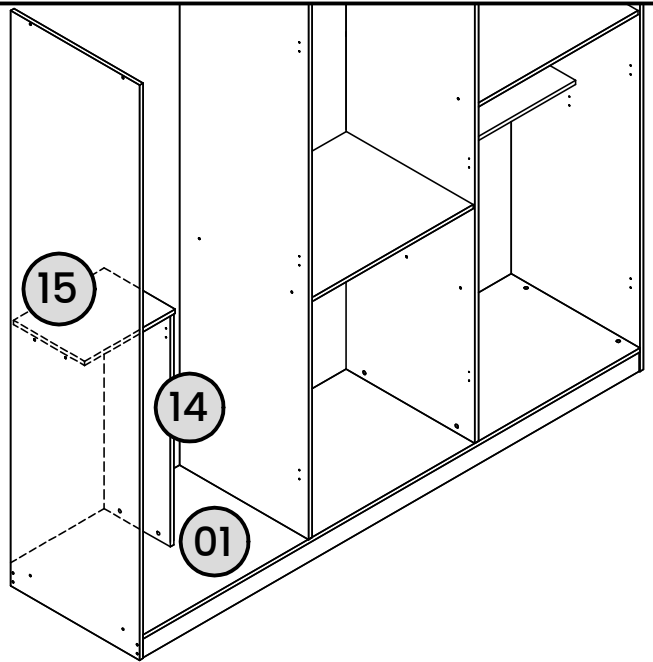
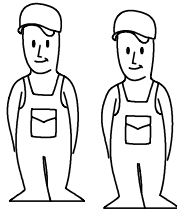
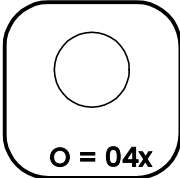
Apply the hardware (F) into the part 15.



Step 15

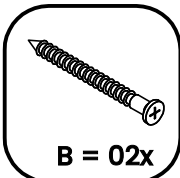


Connect the part 14 onto the part 01 with the hardware (G).
Connect the part 15 onto the part 14 with the hardware (G).

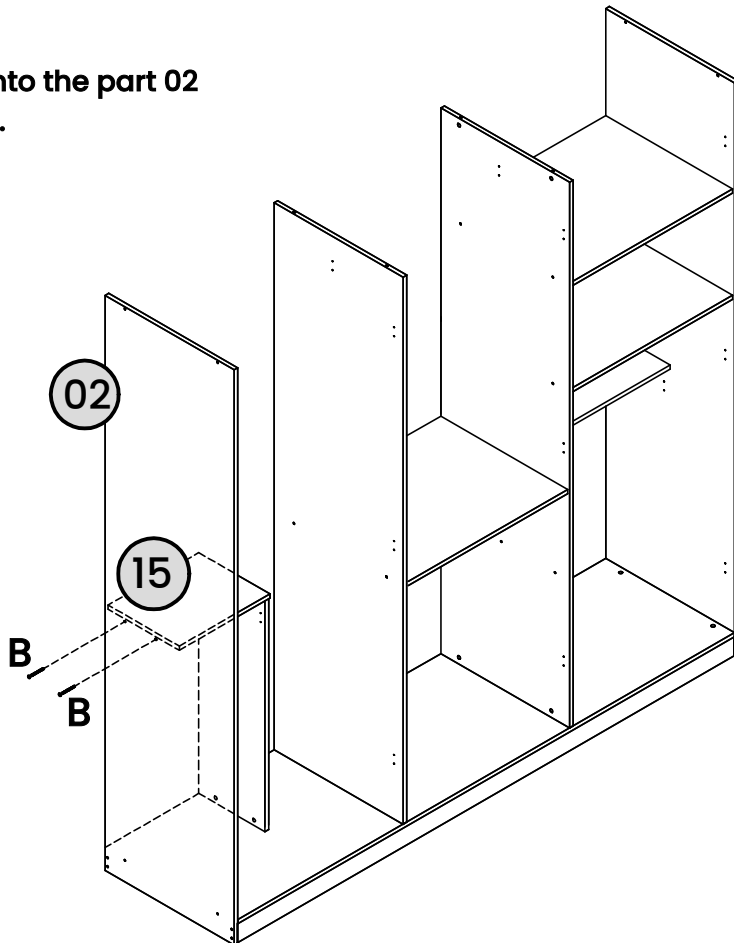
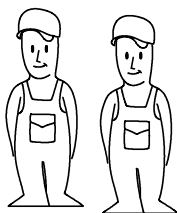


Apply the hardware (O) onto the hardware (G).

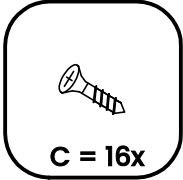
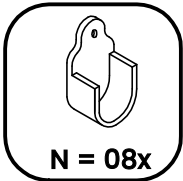
Step 16



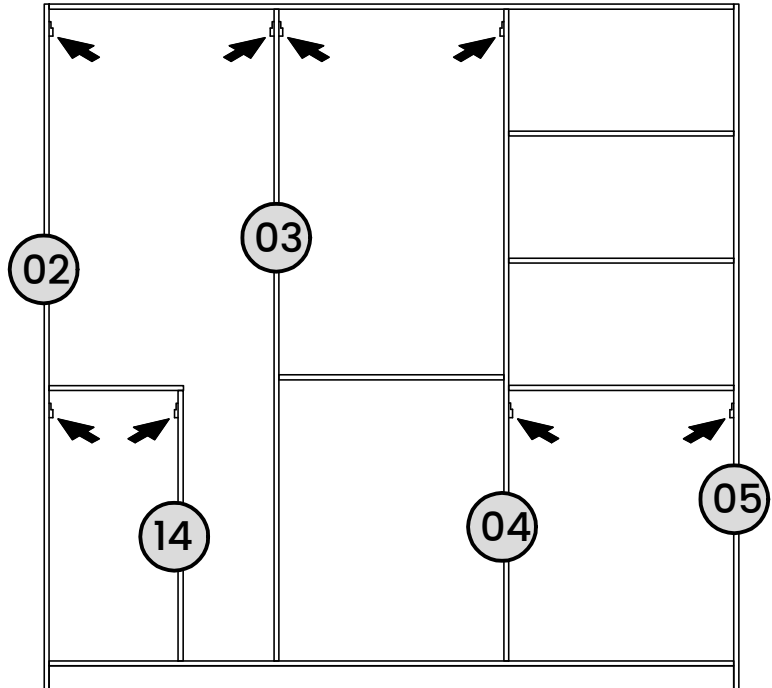
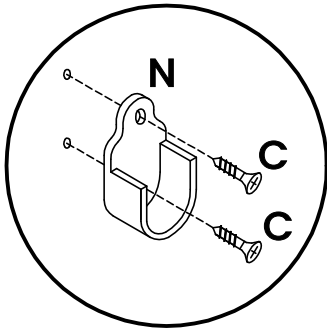
Connect the part 15 onto the part 02 with the hardware (B).



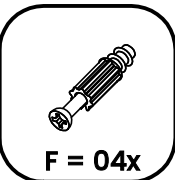
Step 17



Connect the hardware (N) onto the parts 02, 03, 04, 05 and 14 with the hardware (C).



Step 18

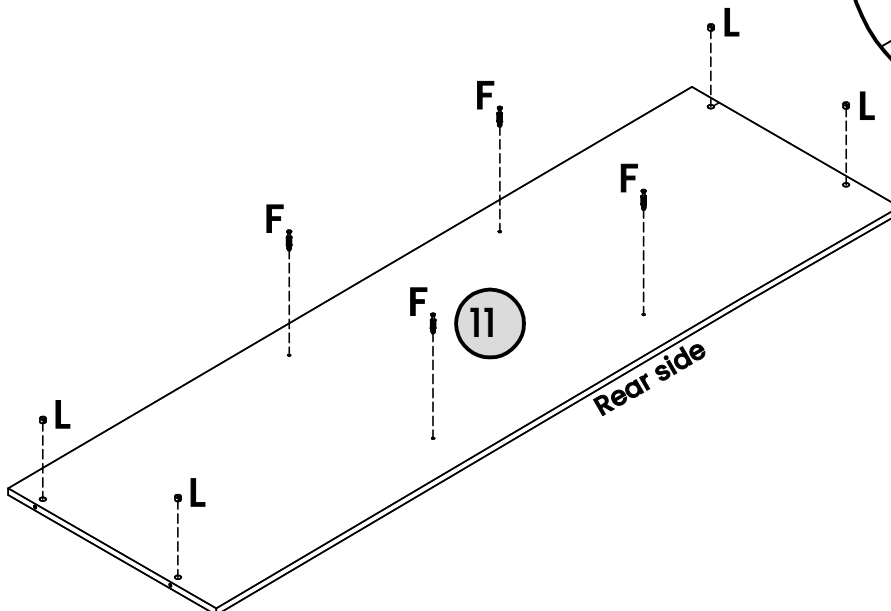
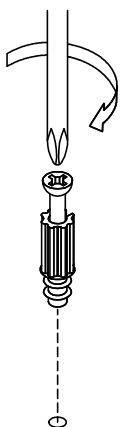
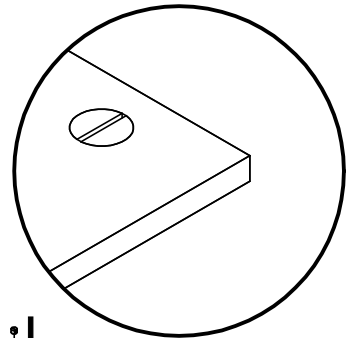


Apply the hardware (F) into the part 11.

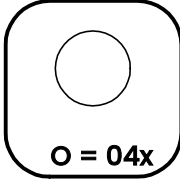


Apply the hardware (L) into the part 11.

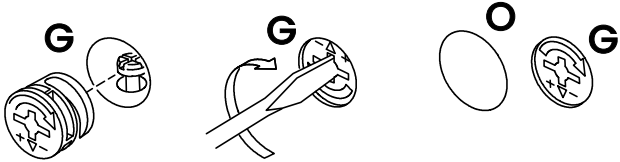
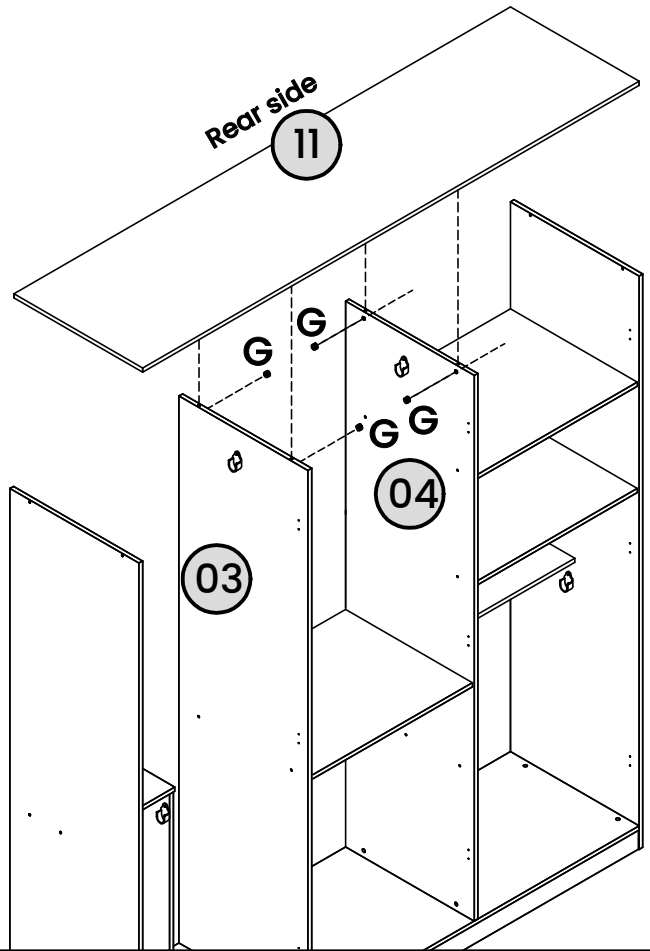
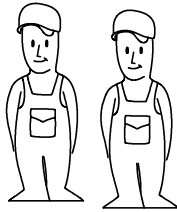
Observe the position of the hardware (L).



Step 19

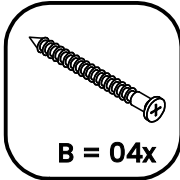


Connect the part 11 onto the parts 03 and 04 with the hardware (G).

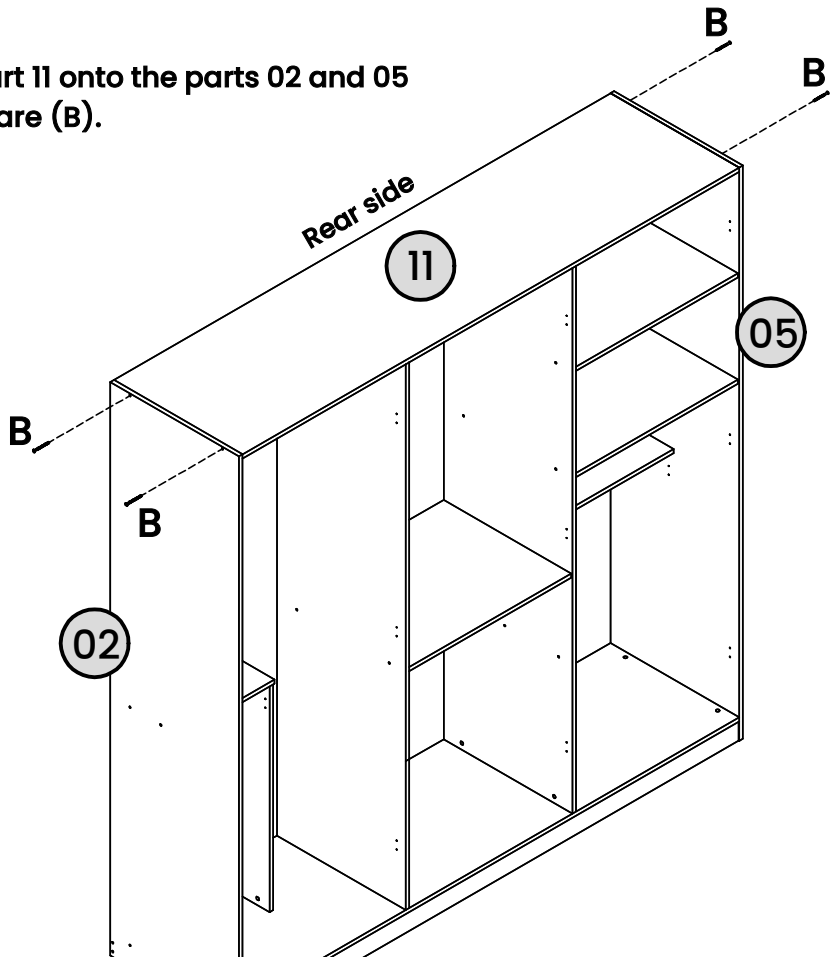
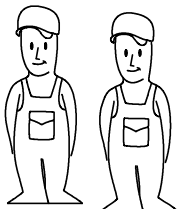


Apply the hardware (O) onto the hardware (G).

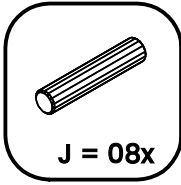
Step 20



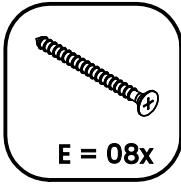
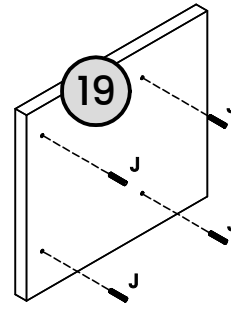
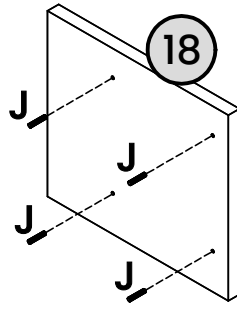
Connect the part 11 onto the parts 02 and 05 with the hardware (B).



Step 21

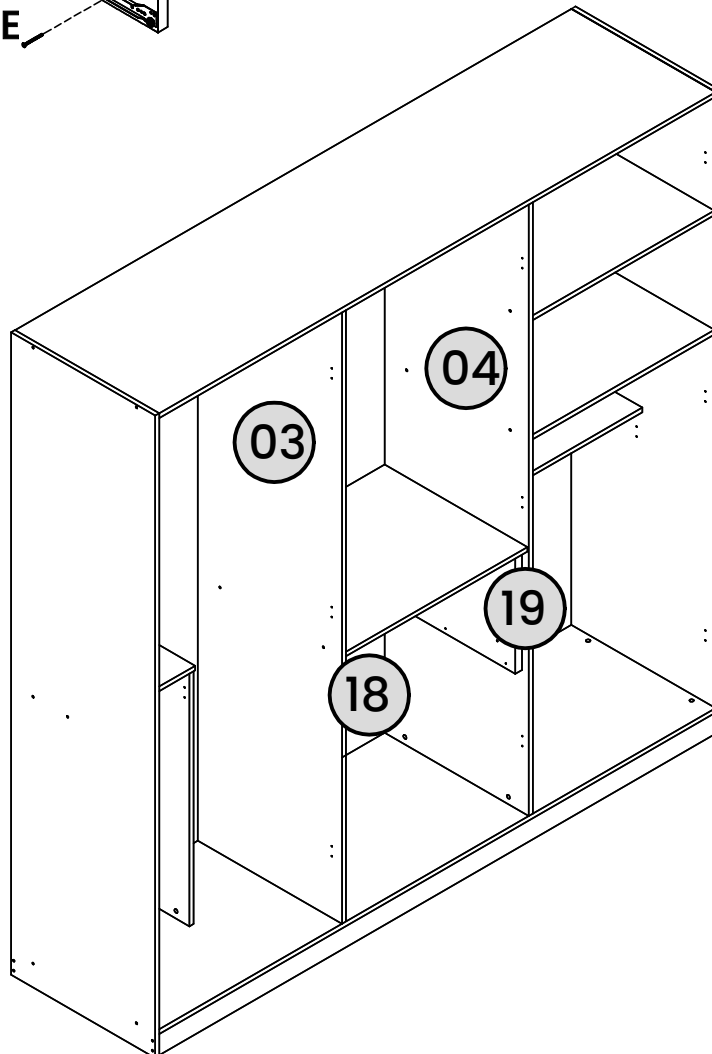
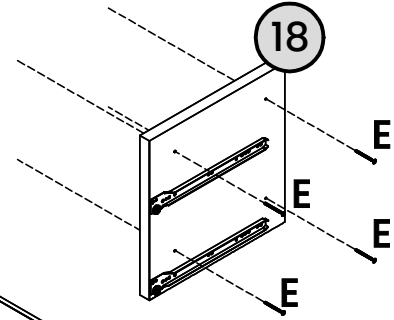
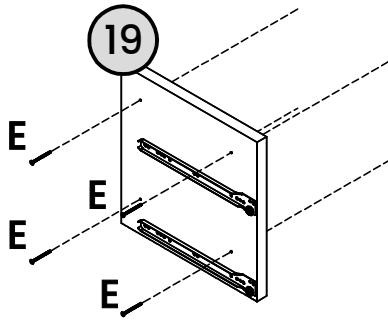


Apply the hardware (J) into the parts 18 and 19.



Connect the part 19 onto the part 04 with the hardware (E).

Connect the part 18 onto the part 03 with the hardware (E).

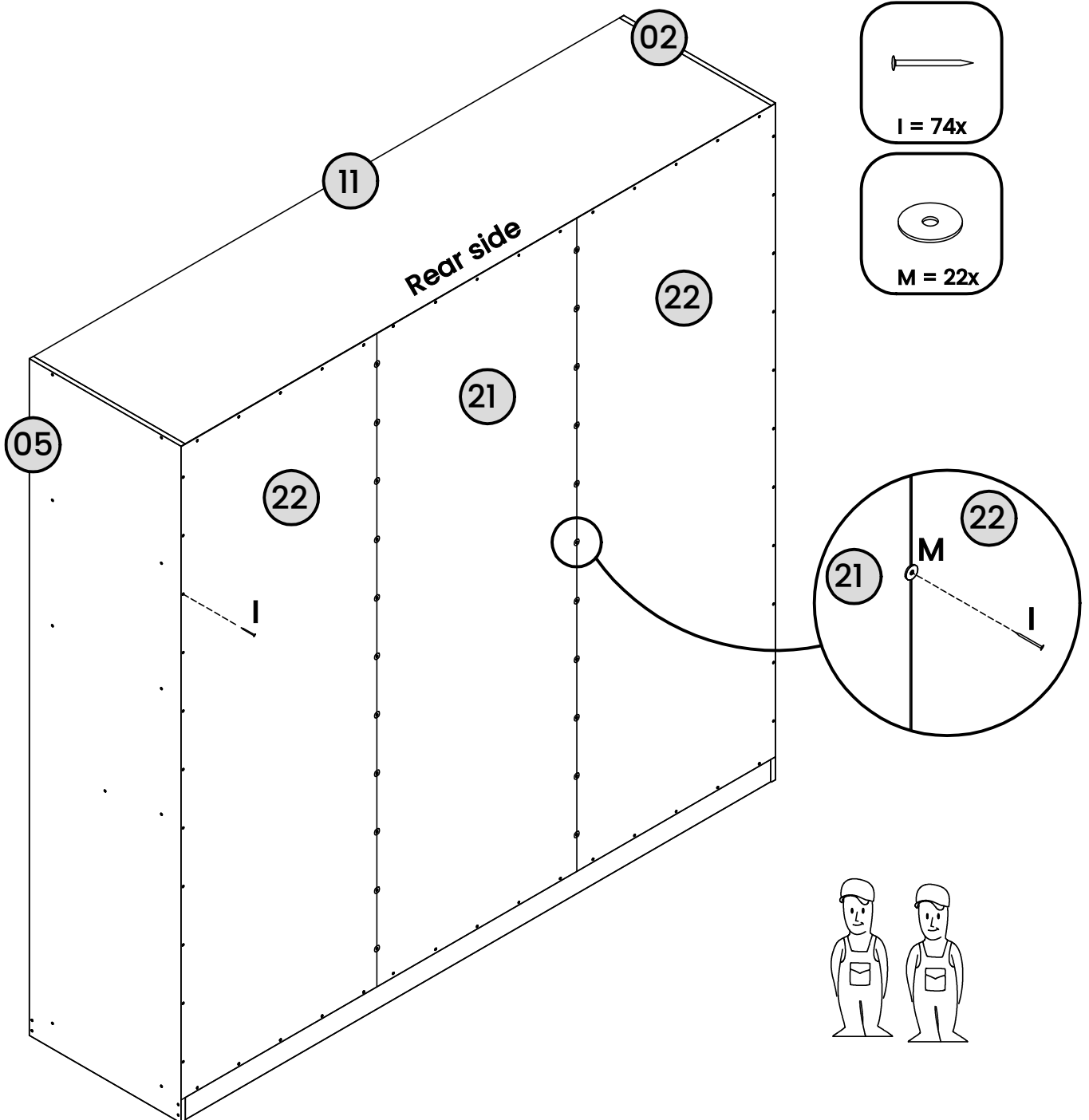


Step 22

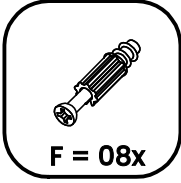
Before starting the process, use a try square to align the parts 02, 11, 05, 21 and 22.

Connect the part 22 onto the parts 01, 02 and 11 with the hardware (I).

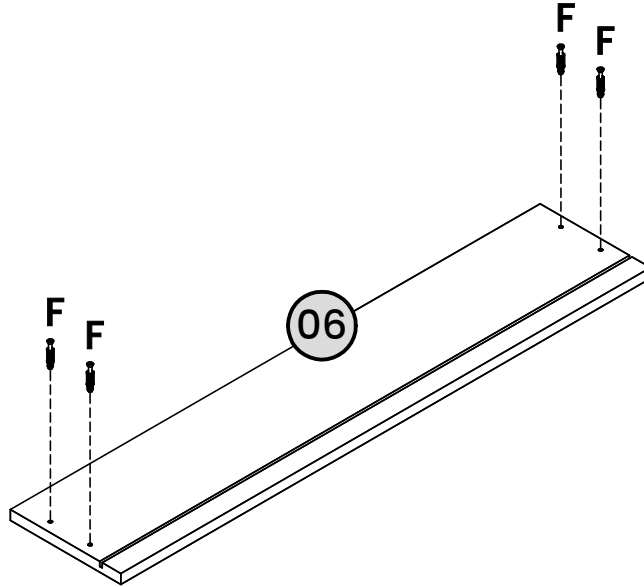
Then, connect the parts 22 of the both sides with the hardware (I + M).



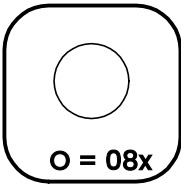
Step 23



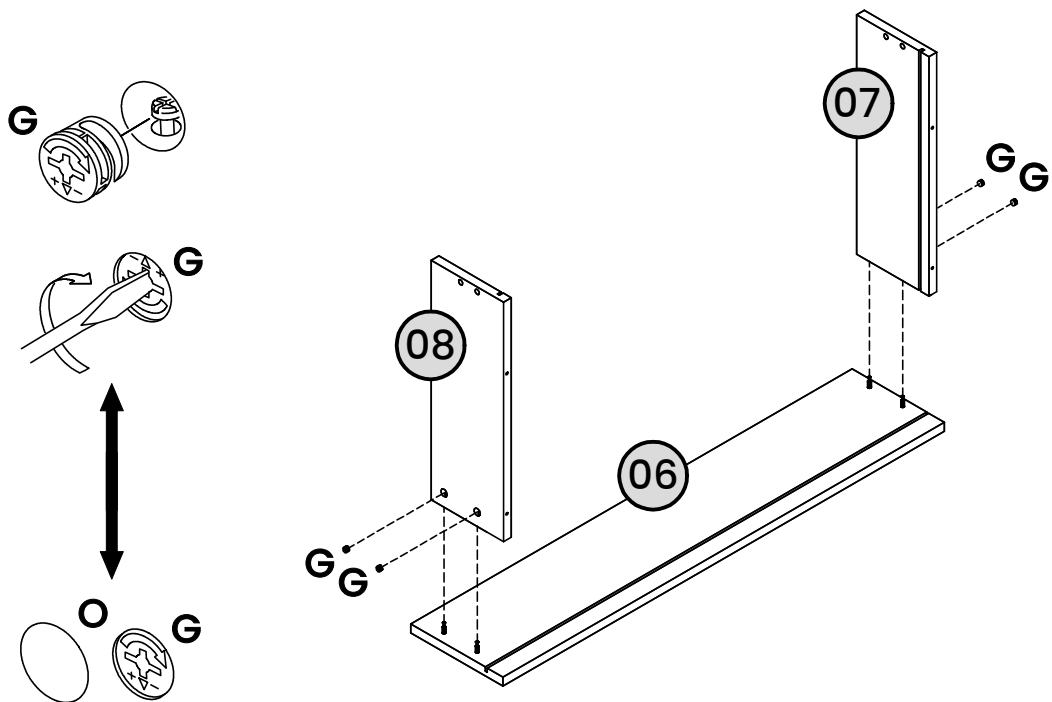
Apply the hardware (F) into the part 06.



Step 24



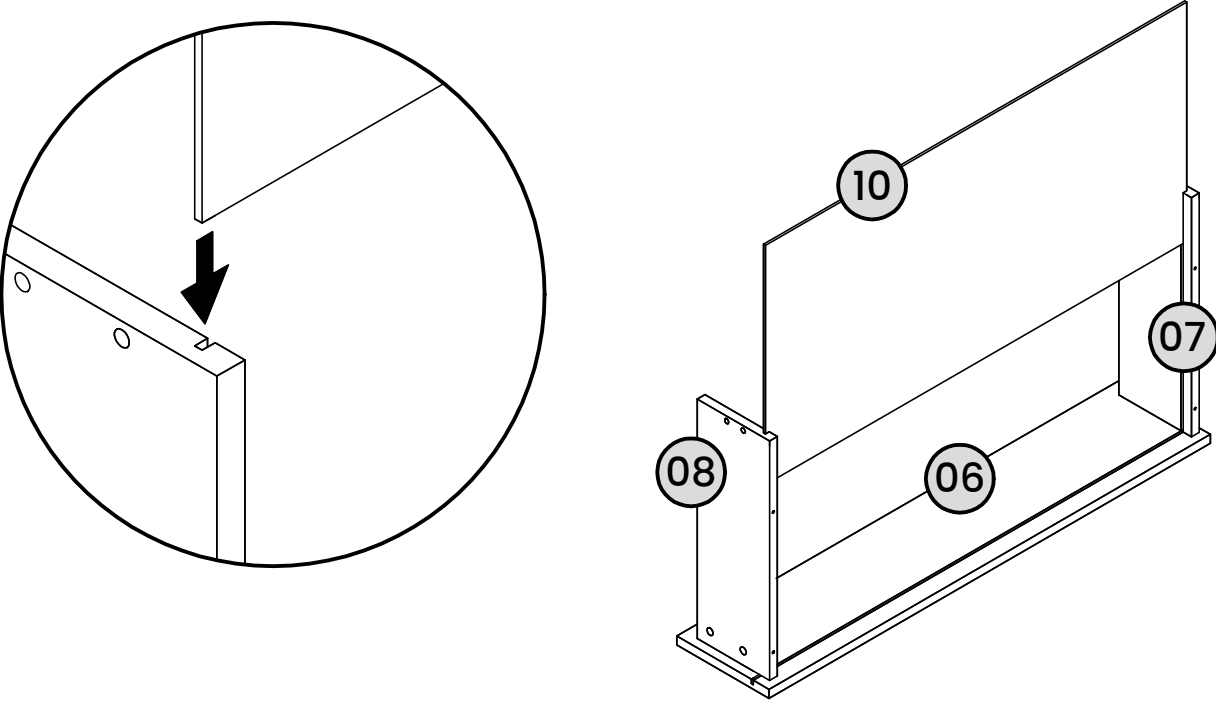
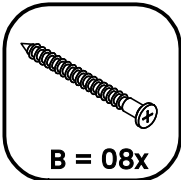
Connect the parts 07, 08 onto the part 06 with the hardware (G).



Apply the hardware (O) onto the hardware (G).

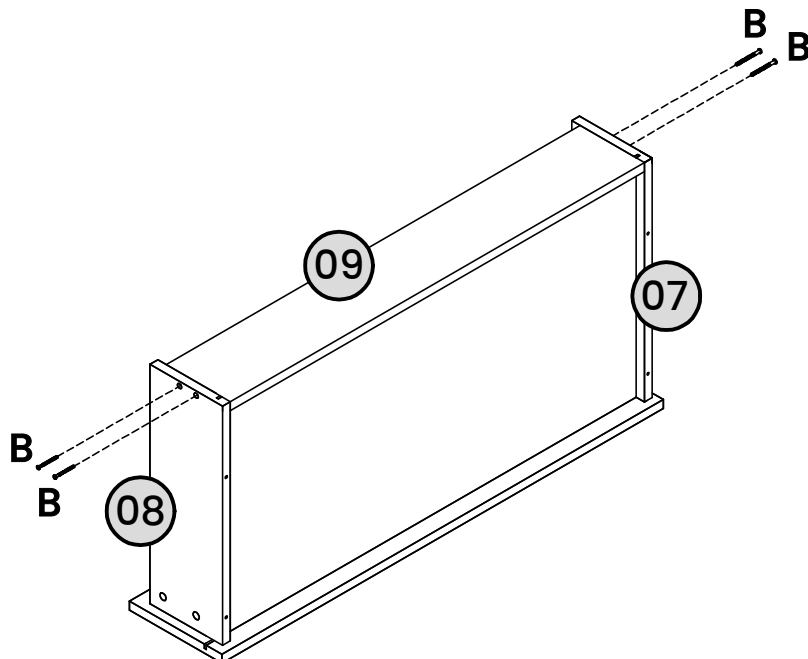
Step 25

Apply the part 10 in the groove of the parts 07, 08 until the groove of the part 06.

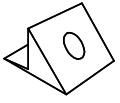
**Step 26**

B = 08x

Connect the part 09 onto the parts 07, 08 with the hardware (B).



Step 27

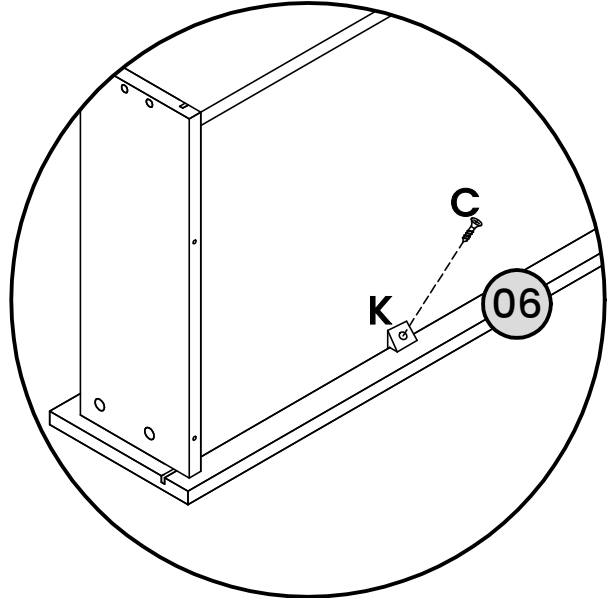
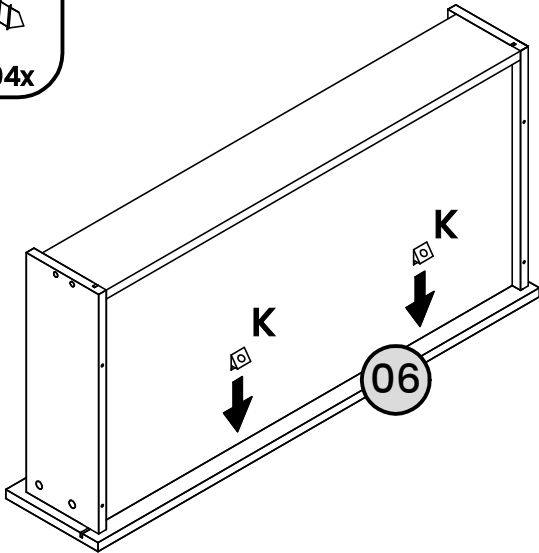


K = 04x

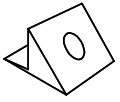


C = 04x

Apply the hardware (K + C) into the groove of the part 06 as shown on detail.



Step 28

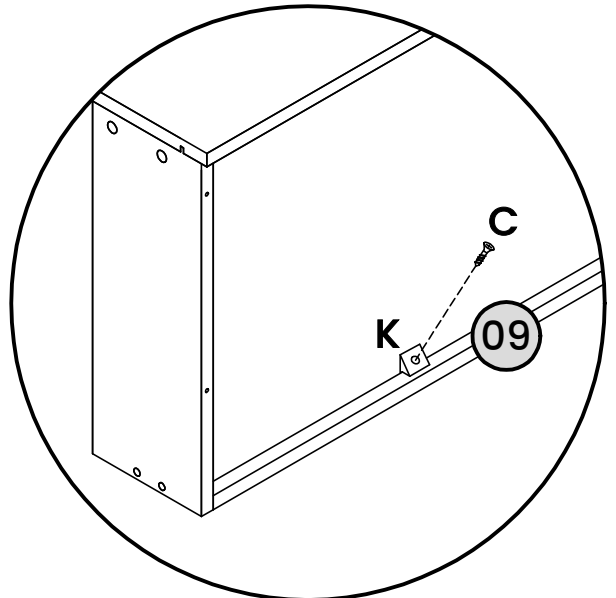
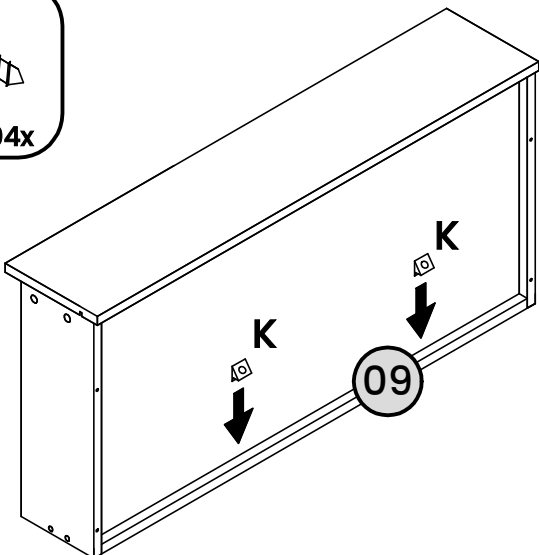


K = 04x



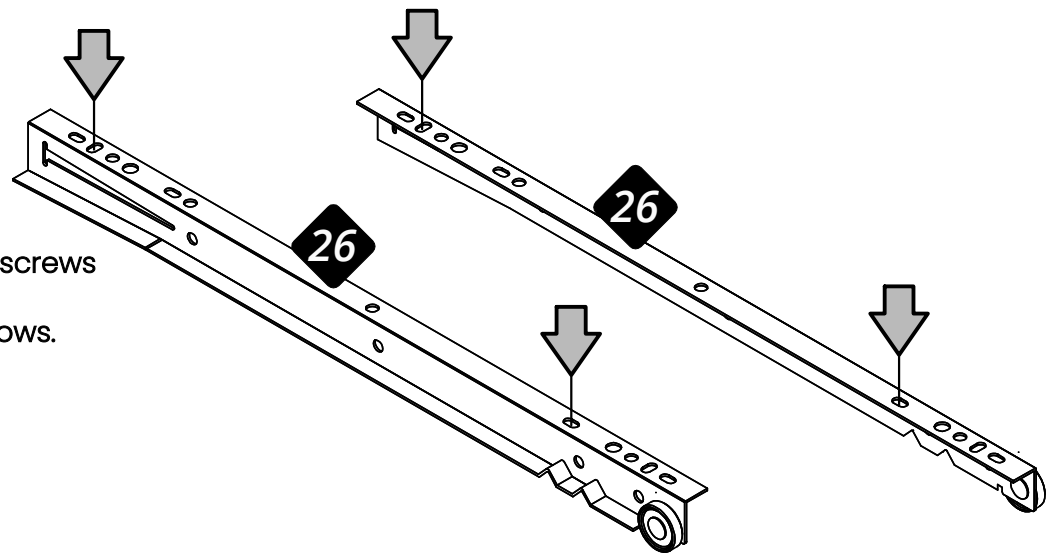
C = 04x

Apply the hardware (K + C) into the groove of the part 09 as shown on detail.

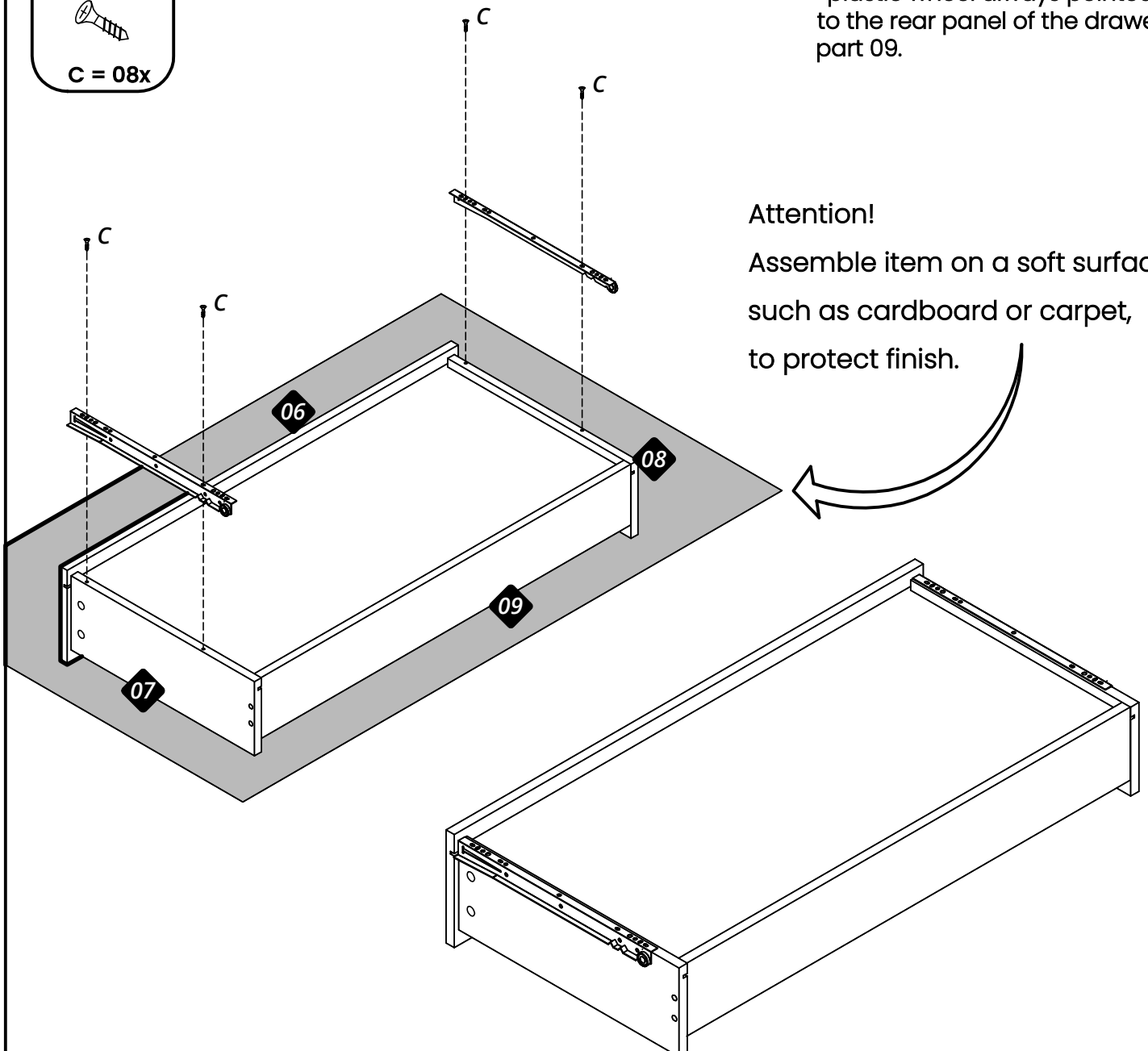
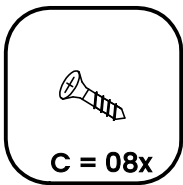


Step 29

You must apply the screws
on the holes
indicated by the arrows.



*plastic wheel always pointed
to the rear panel of the drawer
part 09.

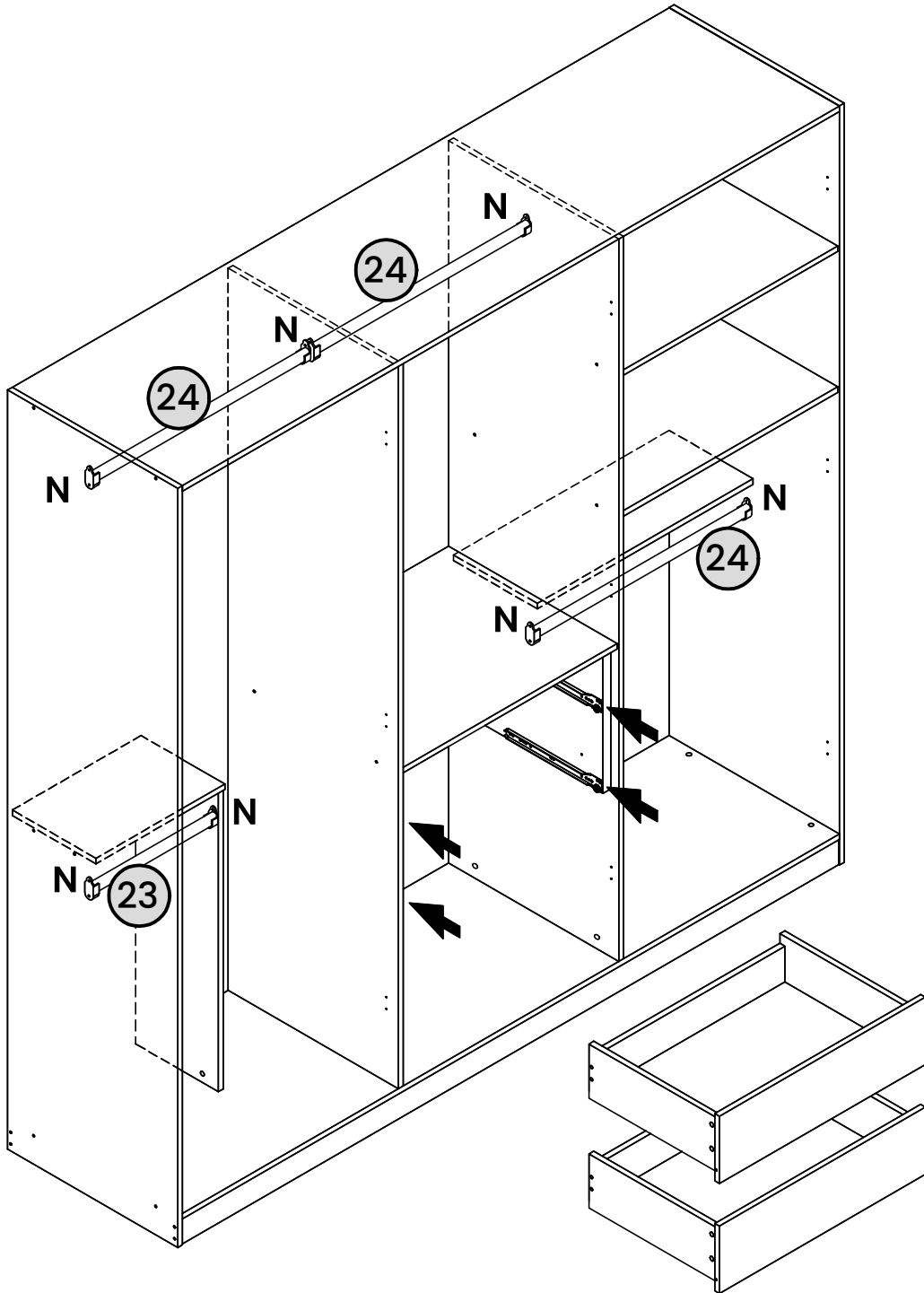


Attention!

Assemble item on a soft surface,
such as cardboard or carpet,
to protect finish.

Step 30

Connect the parts 23 and 24 into the hardware (N).

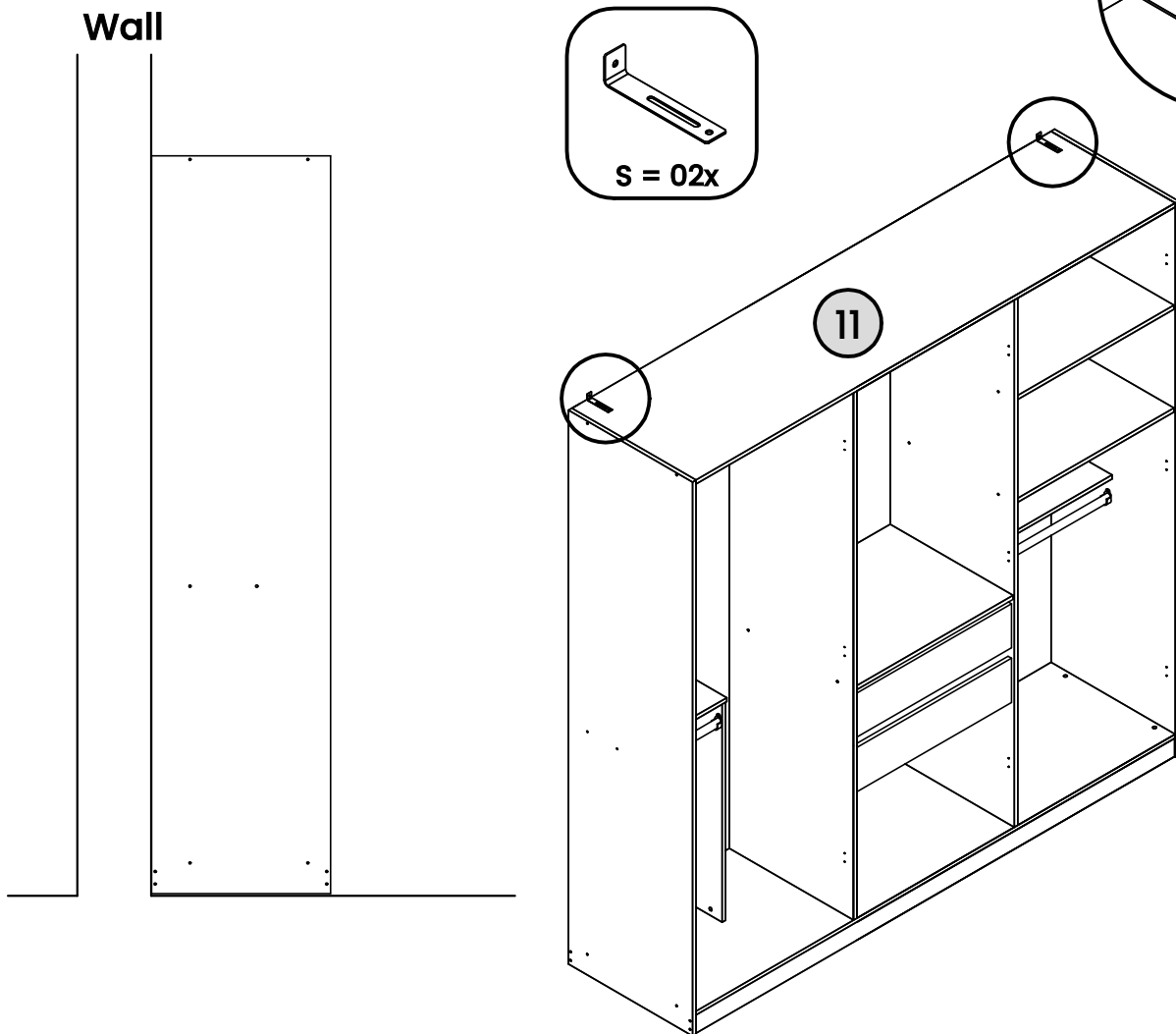


Install the drawers fitting them into the Slides fixed on the parts 03 and 04.

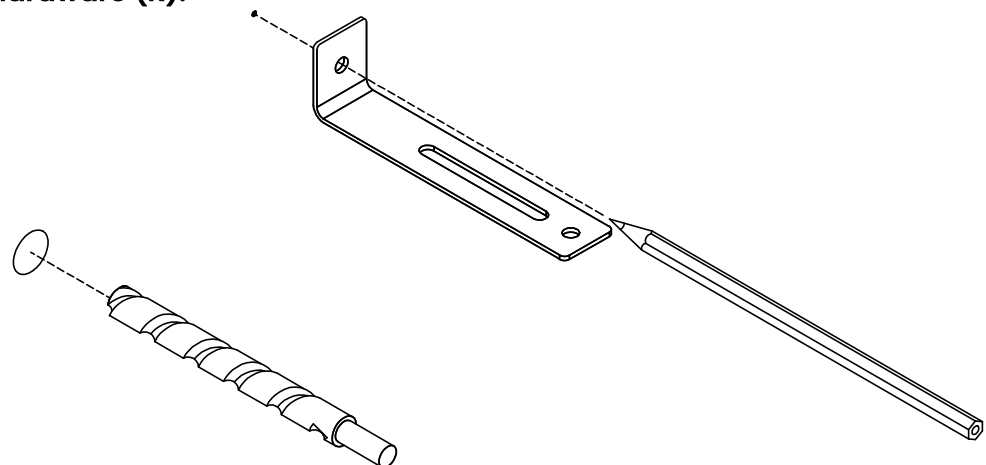
Step 31

Attention! Tipover system.

First, approach the furniture as close as possible to the wall.



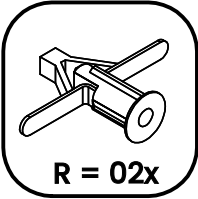
You will need a pencil to mark where you should drill the wall with a 3/8" drill bit to put in the hardware (R).



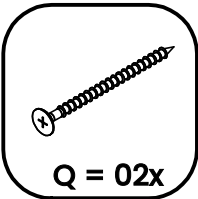
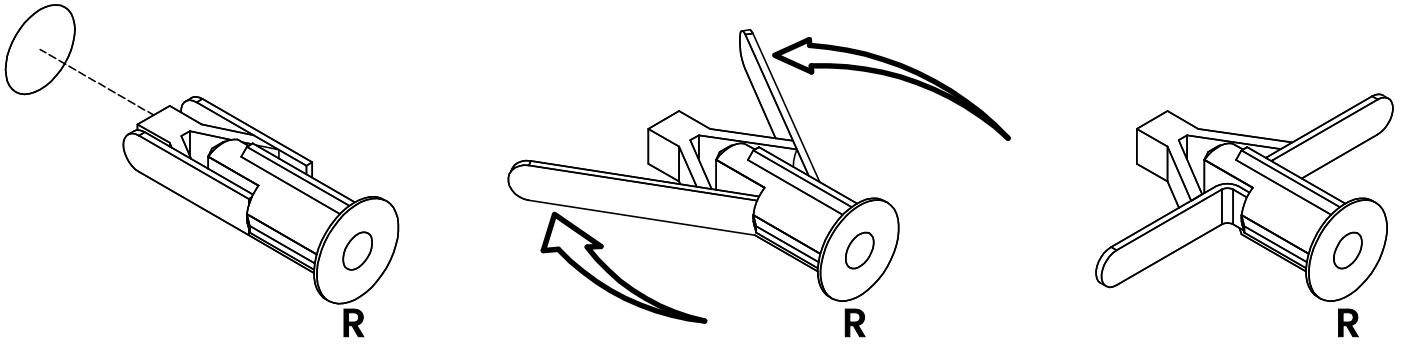
Use the 3/8" drill bit to drill the wall.

Step 32

Attention! Tipover system.

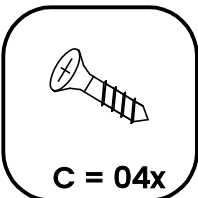
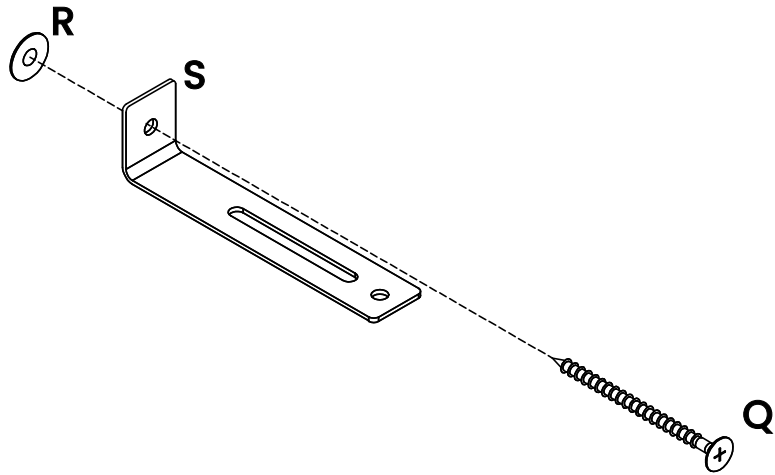


Press the wings of the hardware (R) and put it in to the hole that you drilled on the wall.

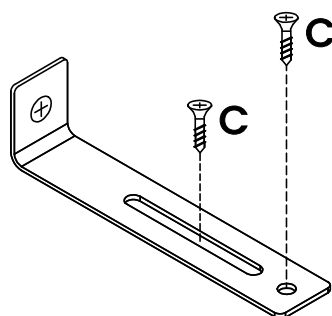


Connect the hardware (S) on the wall using the hardware (Q).

*Hardware (R) plugged in the wall.



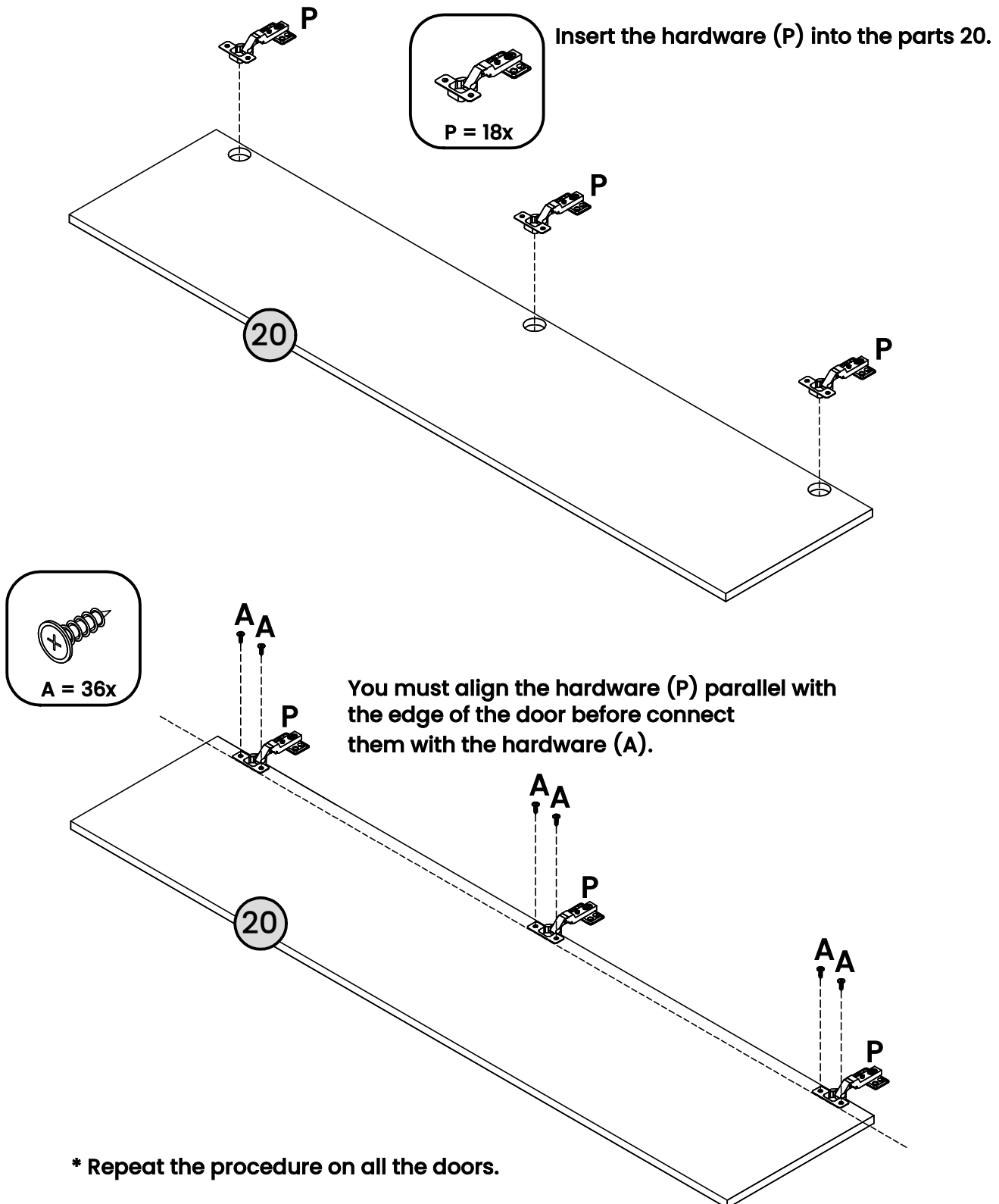
Connect the hardware (S), on the part II with the hardware (C).



Step 33

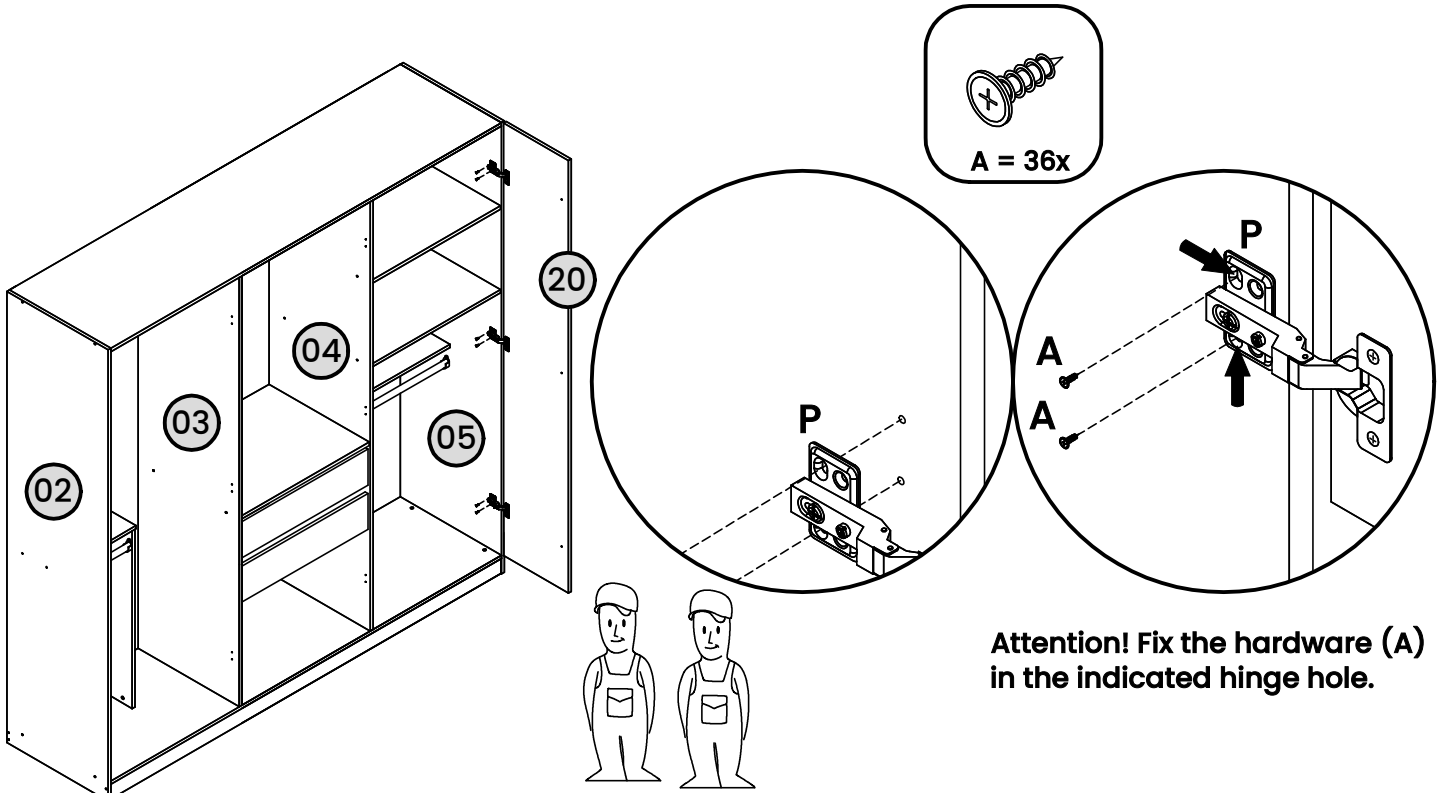
Door assembly and adjustment

Attention!
Is the wardrobe in the right place?
If yes go ahead installing the doors.



Step 34

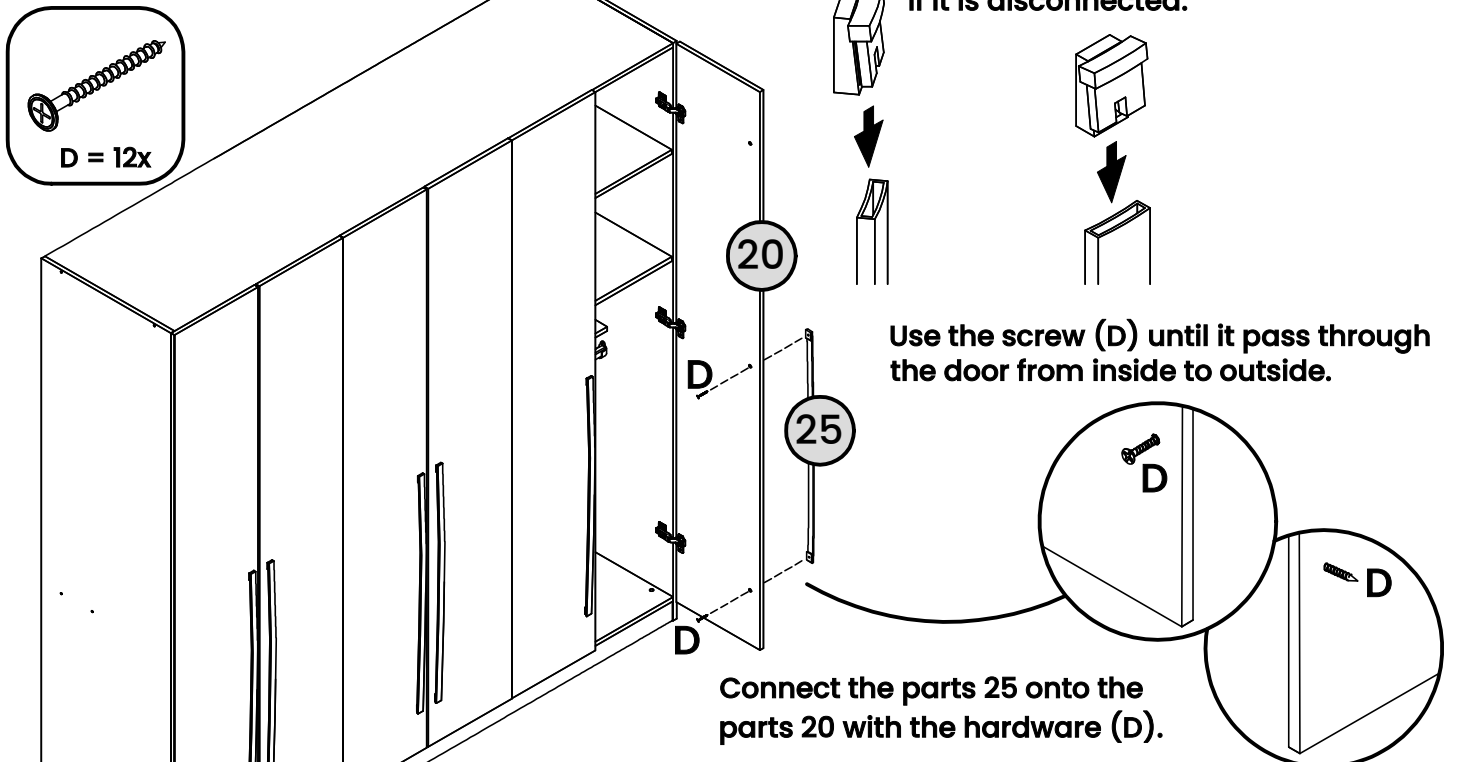
Connect the parts 20 onto the parts 05, 04, 03 and 02 with the hardware (A)



* Repeat the procedure to install all the doors.

Step 35

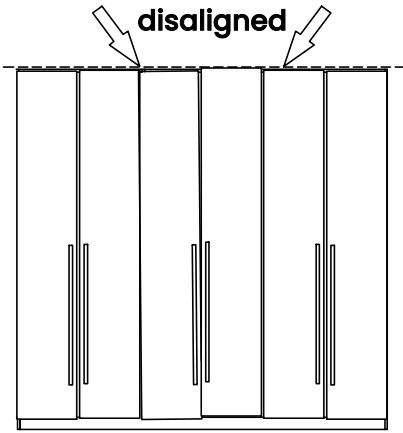
Connect the top cap in the handle, if it is disconnected.



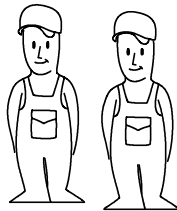
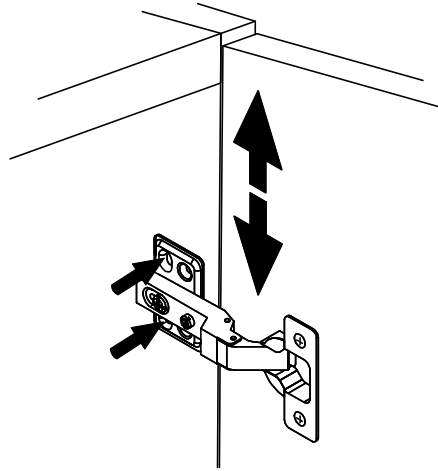
* Repeat the procedure to install all the handles.

Step 36

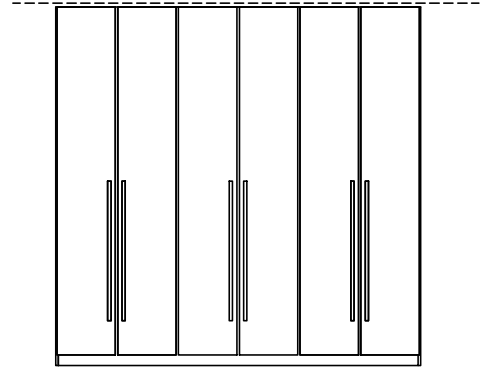
Starting aligning all the doors using as reference the Top Panel (11).



To adjust the alignment of the doors loosen the indicated screw and adjust the 3 hinges up or down on each door, and after aligned, retighten all the screws.

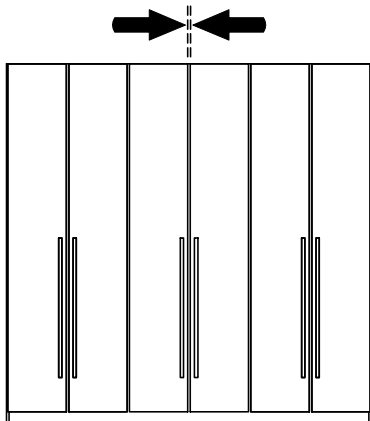


Correct adjustment!
aligned

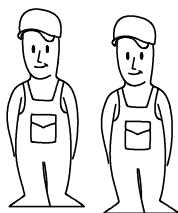
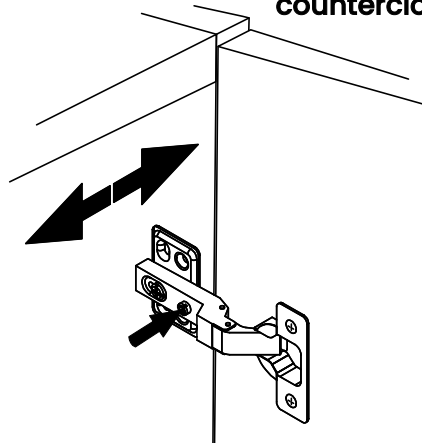


Step 37

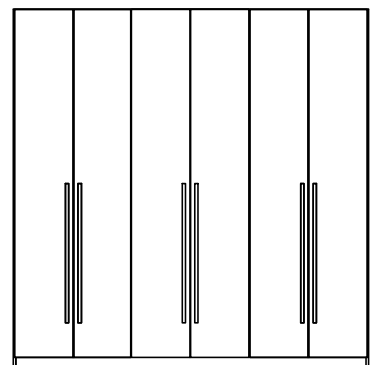
Adjusting the distance between the doors.



To adjust the distance between the doors turn the indicated screw to the clockwise or counterclockwise.

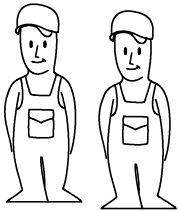
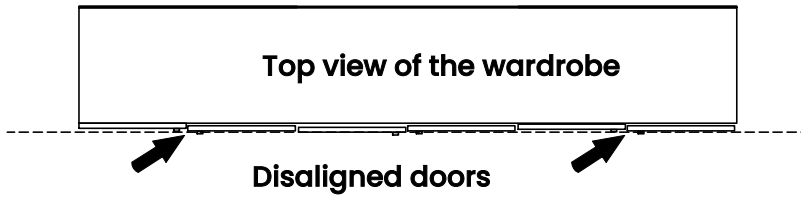


Correct adjustment!

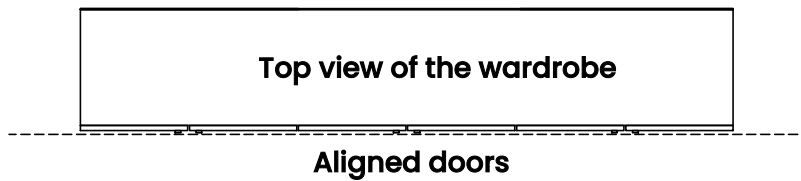
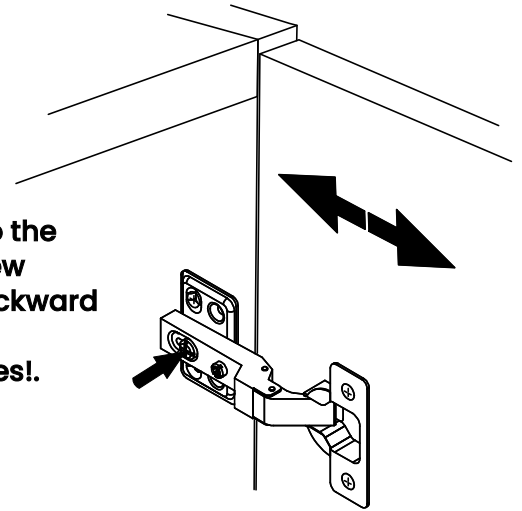


Step 38

Adjusting the distance between the doors of the wardrobe.



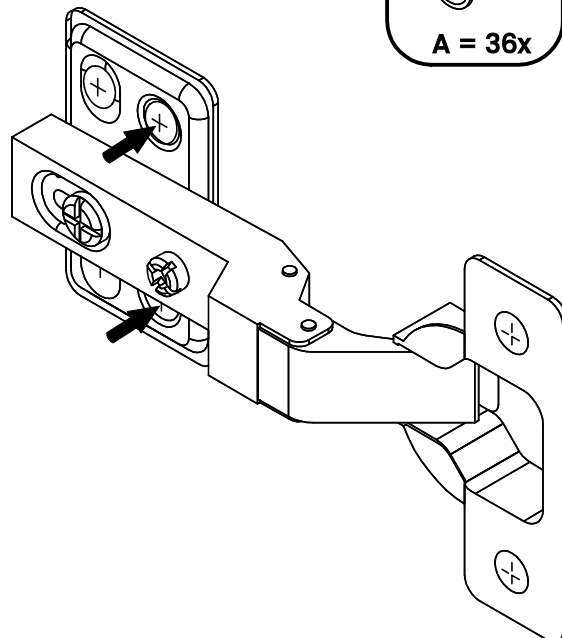
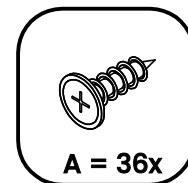
To adjust the nearby of the doors to the wardrobe loosen the indicated screw and adjust the hinge forward or backward then retighten the screw. It is necessary to check all the hinges!.



Step 39

Attention!
To finish the assemblage, and after all the doors adjusted, fix the hardware (A) in the indicated hinge holes

Repeat the process for all the hinges.





MANHATTAN
COMFORT

WARRANTY POLICY

All Manhattan Comfort furniture products are warranted, to the original purchaser at the time of purchase and for a period of 30 days thereafter.

Our warranty is limited to new products purchased in factory sealed cartons. This warranty is valid in the United States of America and Canada.

In order to provide you with timely assistance, please thoroughly inspect your furniture for missing or defective parts immediately after opening the carton.

Manhattan Comfort offers a 30-day parts replacement warranty on all items.

Our furniture products are no intended for outdoor use.

THE WARRANTY DOES NOT COVER:

- Defects/damages by improper assembly or disassembly.
- Defects/damages caused by shipping. Claims for damage during transit should be placed immediately to the transportation company.
- Defects/damages caused by inappropriate use of the furniture.



319 Ridge Rd. Dayton, NJ 08810
908-888-0818