



MANHATTAN
COMFORT

888-230-2225

help@manhattancomfort.com

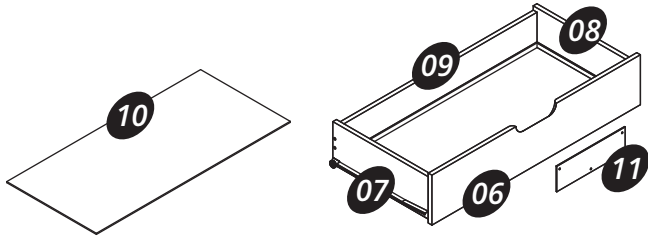
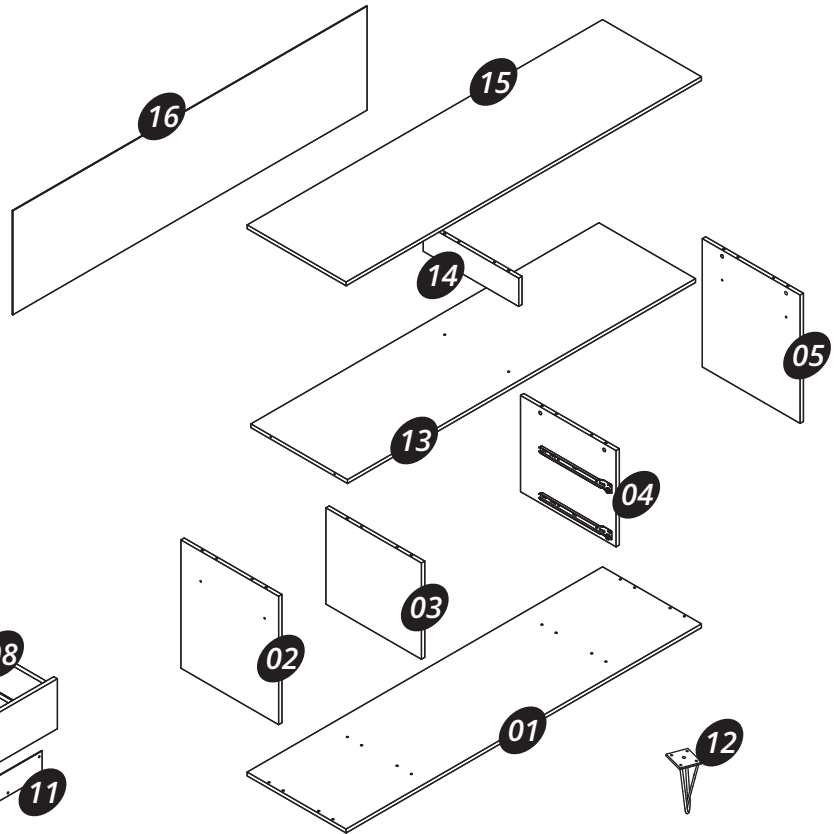


Rockefeller

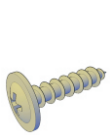
TV Stand 62.99"

Included in the package

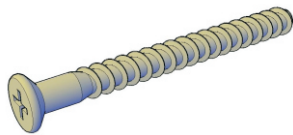
- 01 - Base board = 01 piece (box 01/02)
- 02 - Left side panel = 01 piece (box 02/02)
- 03 - Left partition panel = 01 piece (box 02/02)
- 04 - Right partition panel = 01 piece (box 02/02)
- 05 - Right side panel = 01 piece (box 02/02)
- 06 - Front of the drawer = 02 pieces (box 01/02)
- 07 - Left side panel of the drawer = 02 pieces (box 02/02)
- 08 - Right side panel of the drawer = 02 pieces (box 02/02)
- 09 - Rear panel of the drawer = 02 pieces (box 01/02)
- 10 - Base of the drawer = 02 pieces (box 01/02)
- 11 - Decorative apply = 02 pieces (box 01/02)
- 12 - Feet = 06 pieces (box 02/02)
- 13 - Central board = 01 piece (box 01/02)
- 14 - Central partition = 01 piece (box 01/02)
- 15 - Top board = 01 pieces (box 01/02)
- 16 - Rear panel = 01 piece (box 01/02)



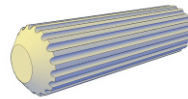
Hardware (box 1/2)



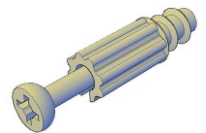
A = 24x



B = 22x



C = 18x



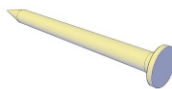
D = 18x



E = 18x



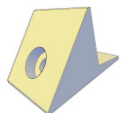
F = 14x



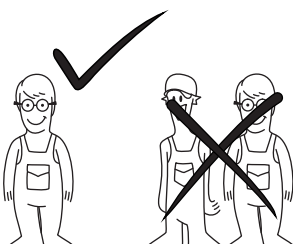
G = 26x



H = 18x



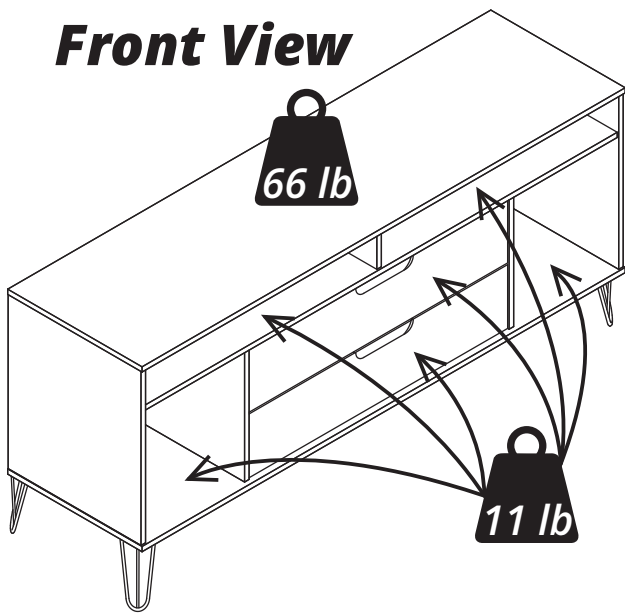
I = 08x



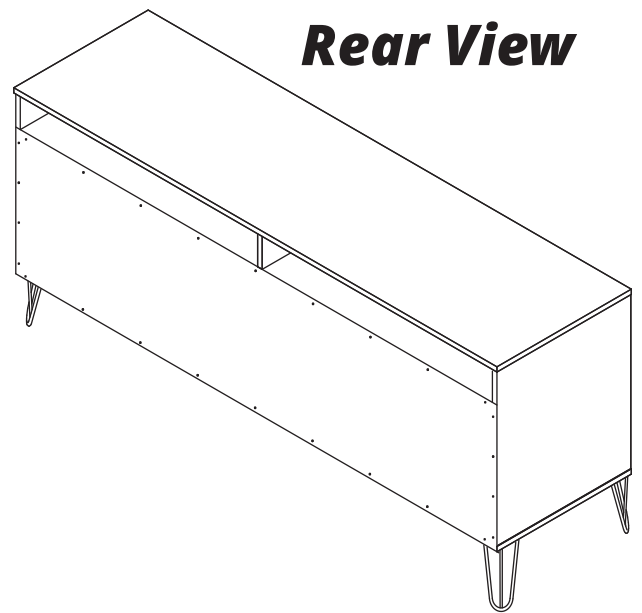
Tools needed (not included)

- Phillips screw driver
- Screw driver

Front View

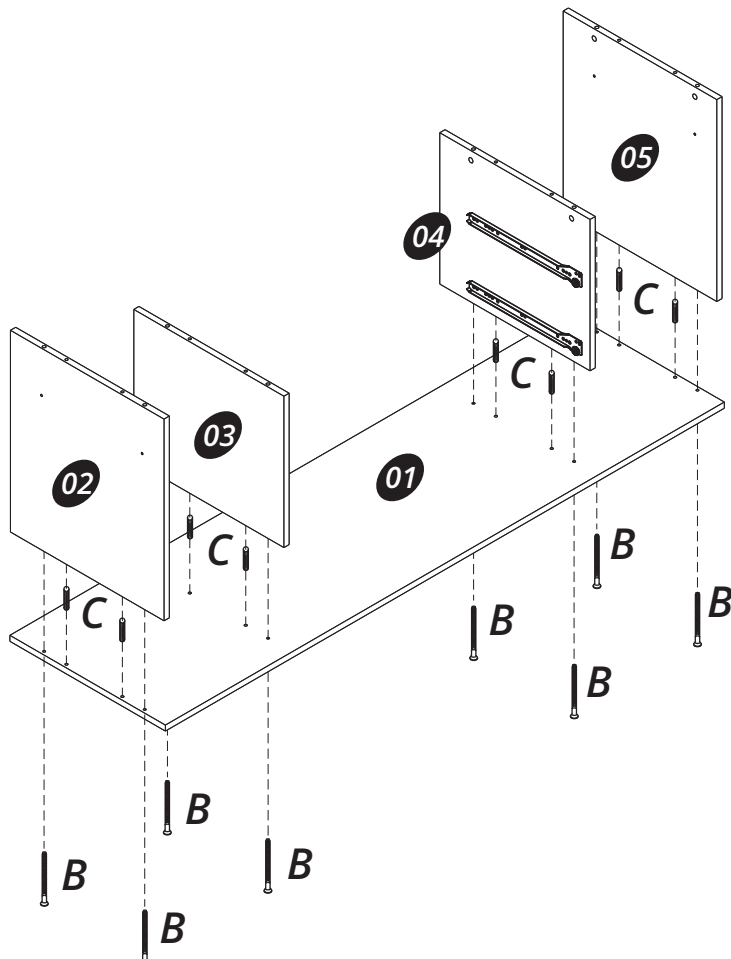


Rear View



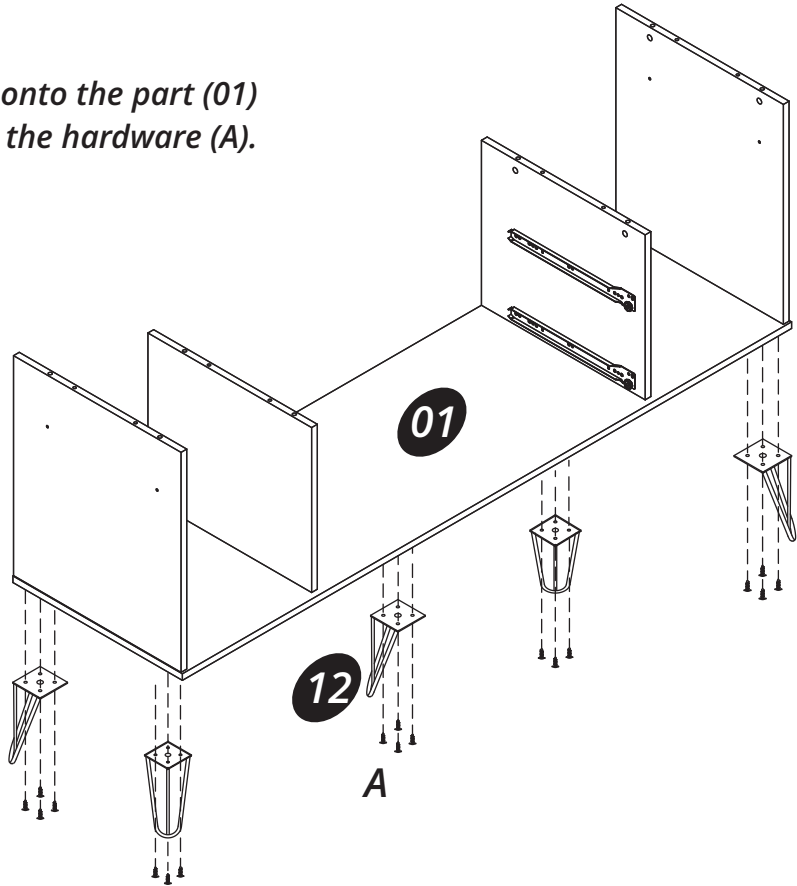
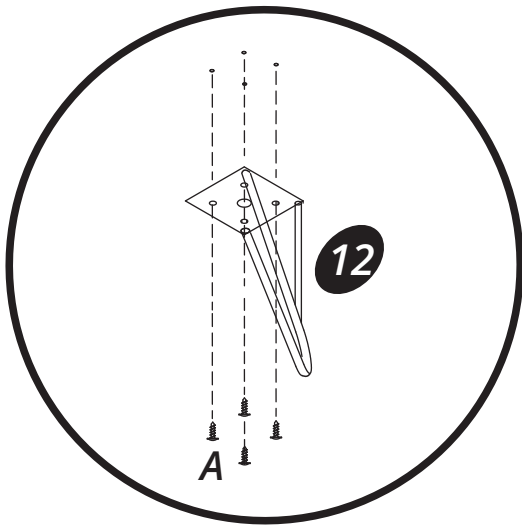
Step 01

Connect the part (01), onto the parts (02), (03), (04) and (05), using the hardware (B + C).



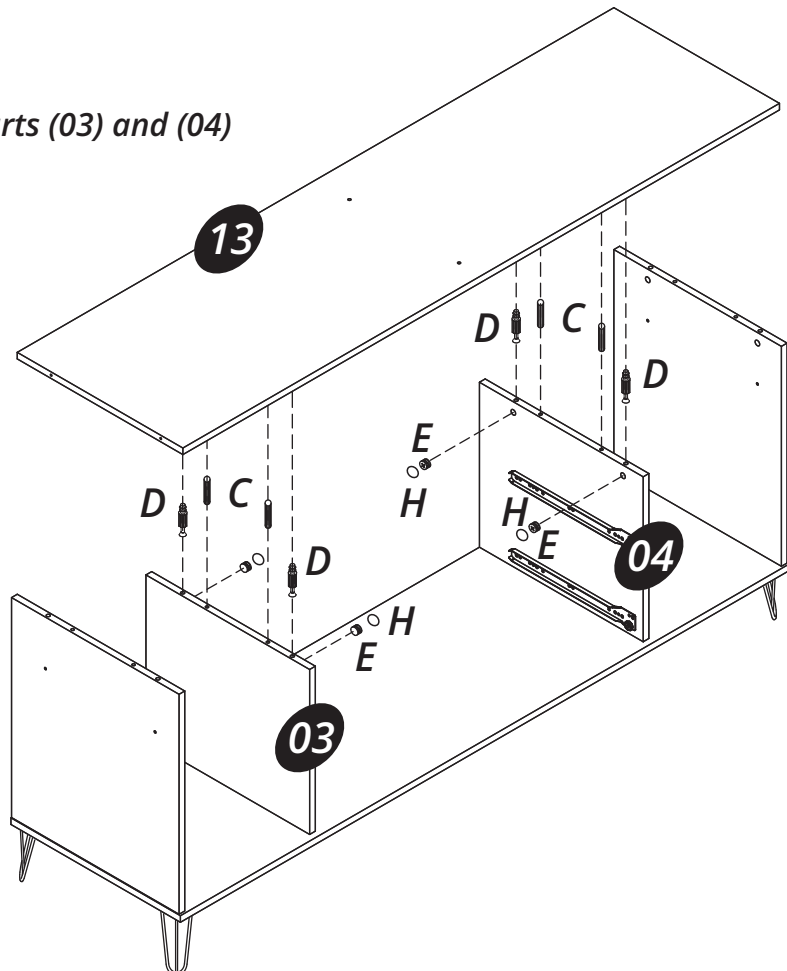
Step 01

Connect the parts (12) onto the part (01) with the hardware (A).



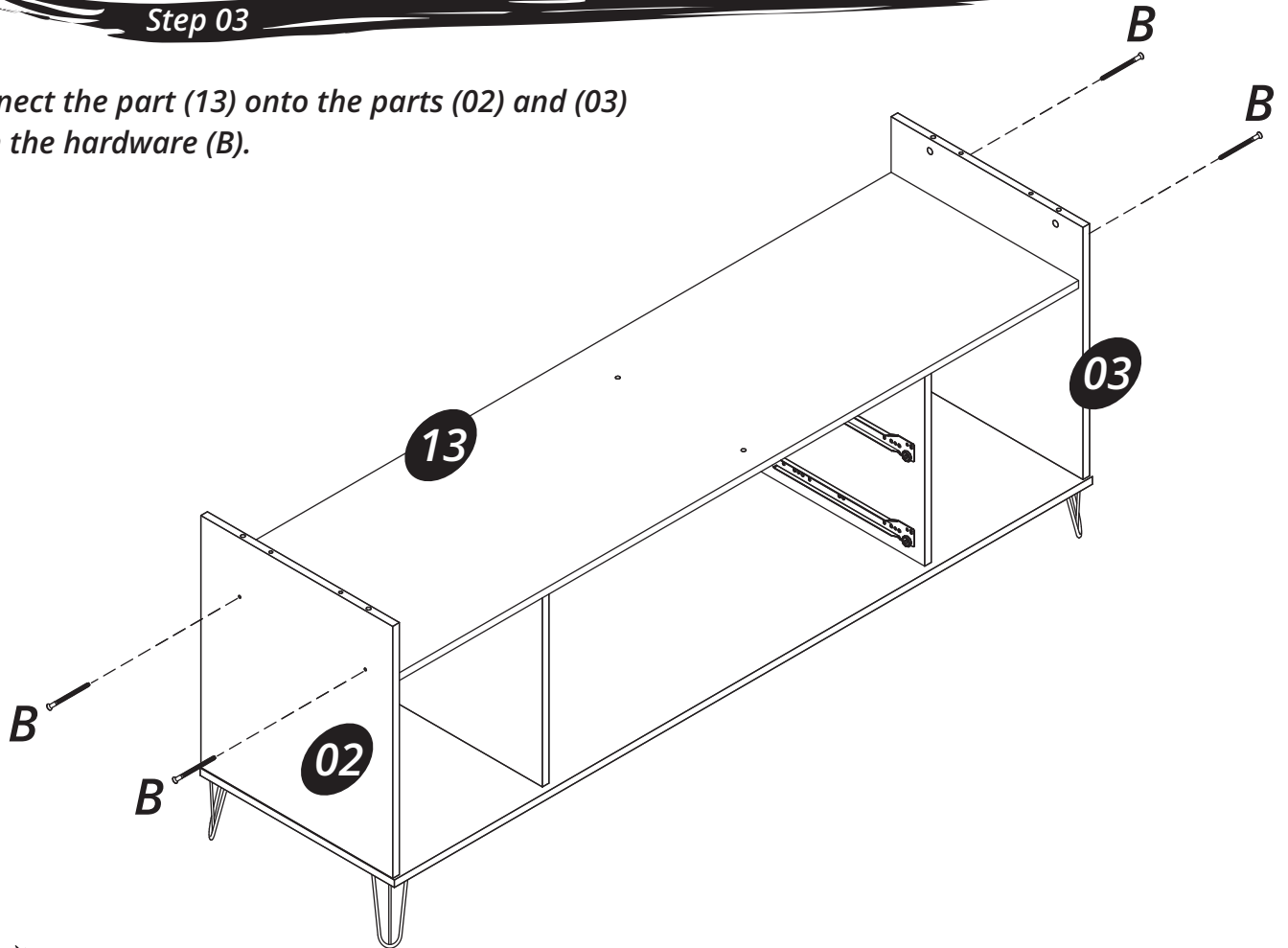
Step 02

Connect the part (13) onto the parts (03) and (04) using the hardware (C) and the hardware (D + E).
Apply the hardware (H) on the hardware (E).



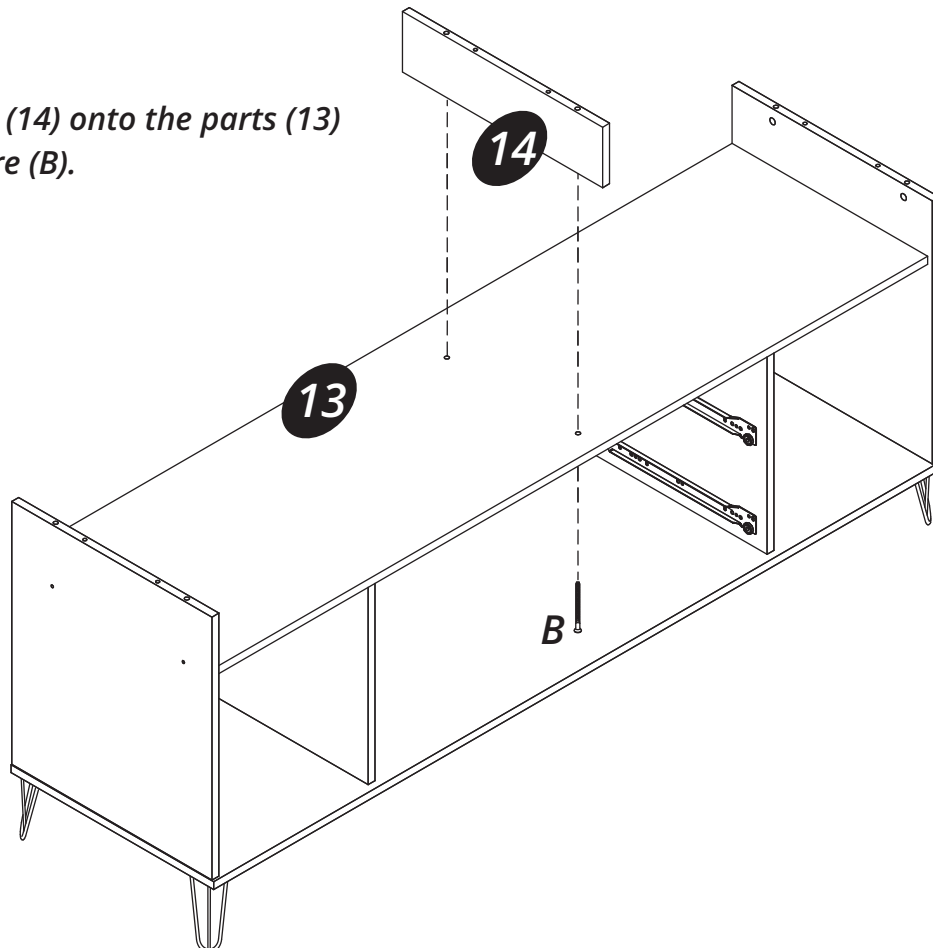
Step 03

Connect the part (13) onto the parts (02) and (03) with the hardware (B).



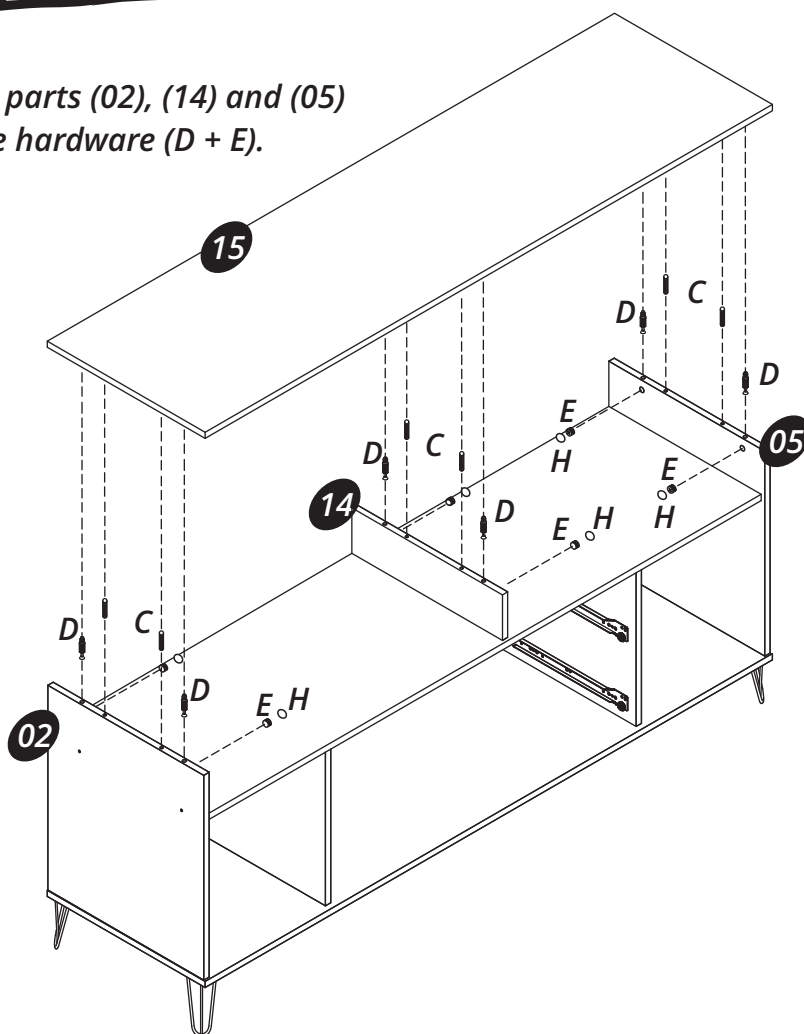
Step 04

Connect the part (14) onto the parts (13) with the hardware (B).



Step 05

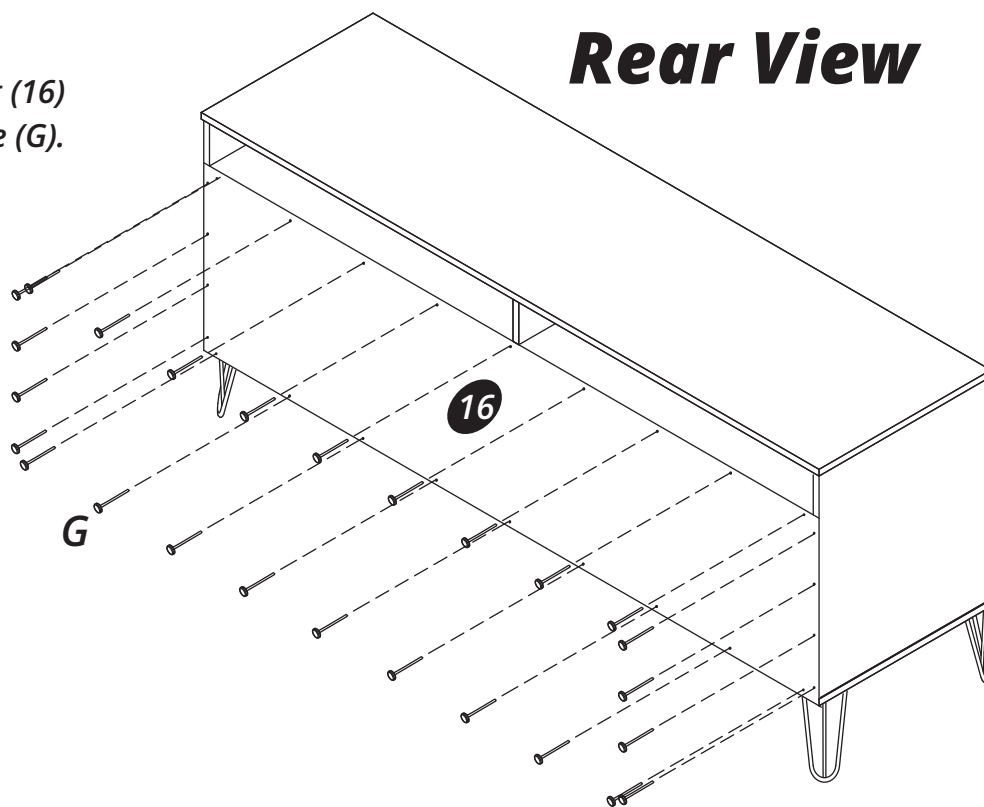
Connect the part (15) onto the parts (02), (14) and (05) using the hardware (C) and the hardware (D + E).
Apply the hardware (H) on the hardware (E).



Step 05

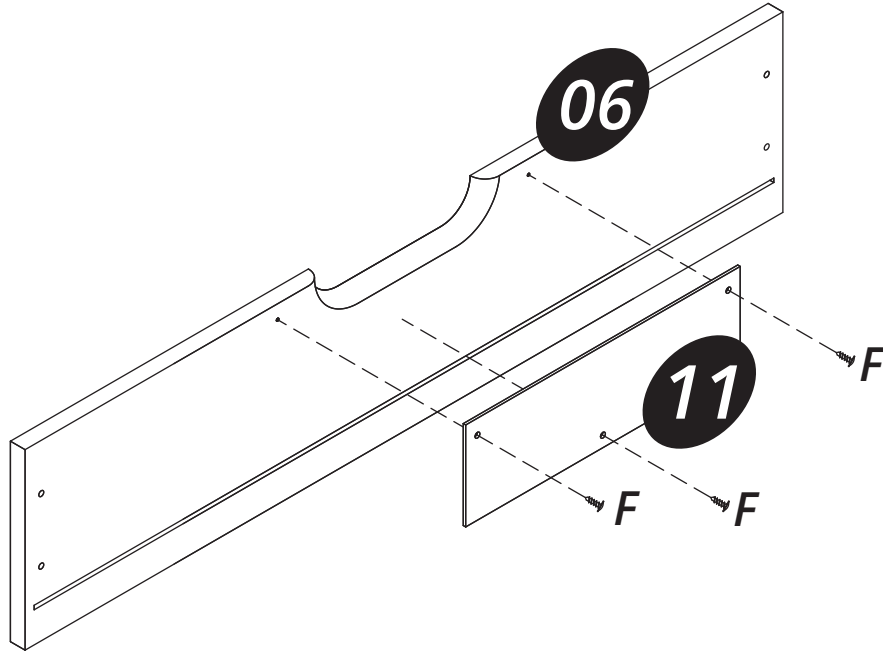
Connect the part (16) with the hardware (G).

Rear View



Step 07

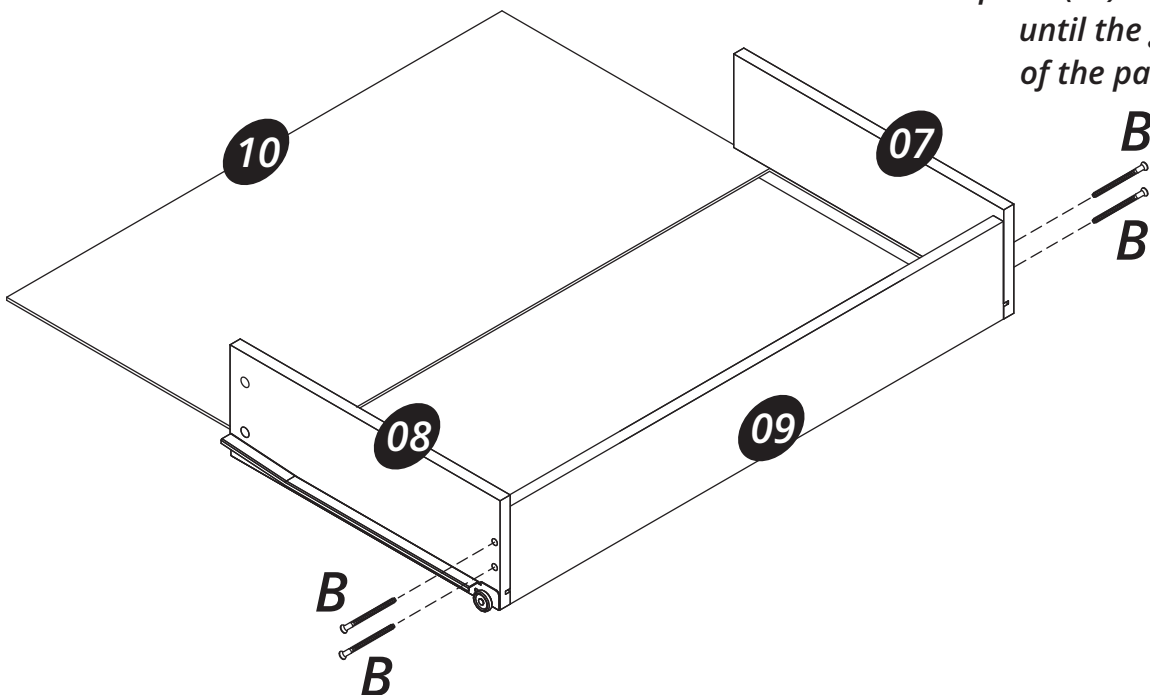
Connect the part (11) onto the part (06) with the hardware (F).



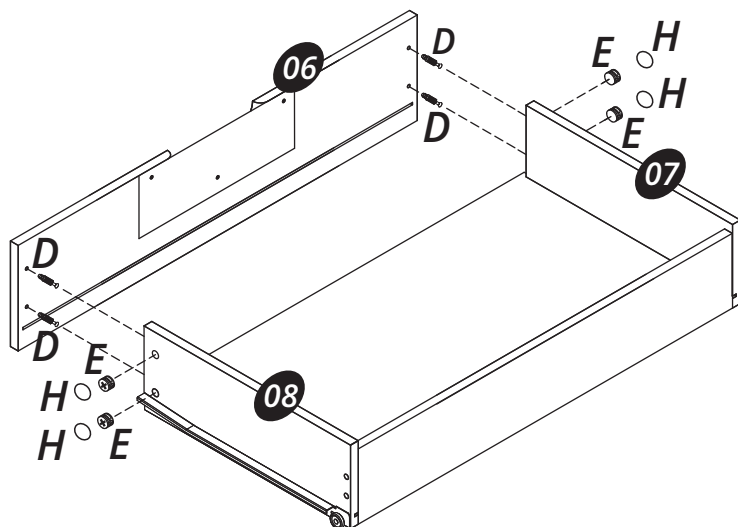
Step 08

Connect the parts (07), (08) and (09) with the hardware (B).

Apply the part (10) in the groove of the parts (07) and (08) until the groove of the part (09).

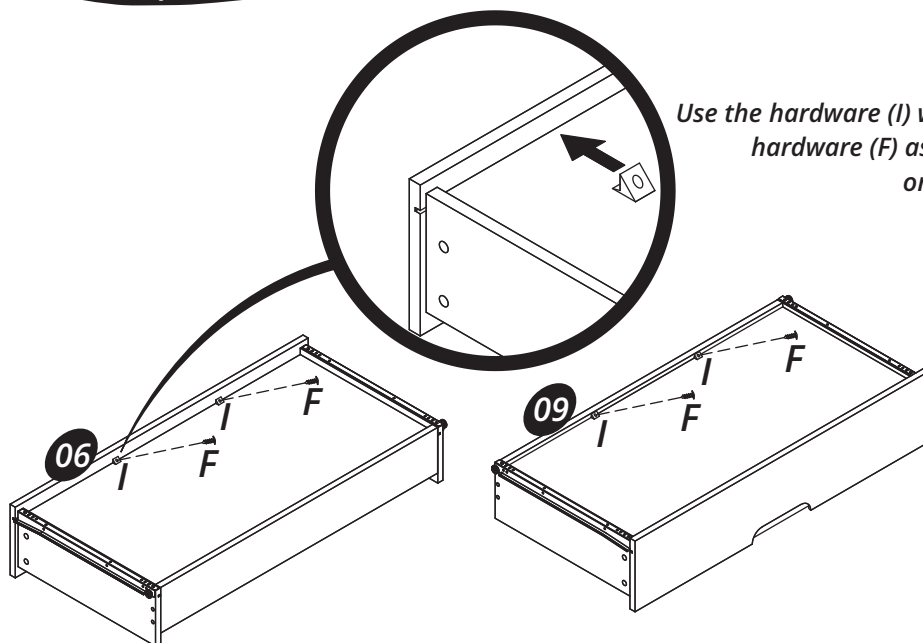


Step 09



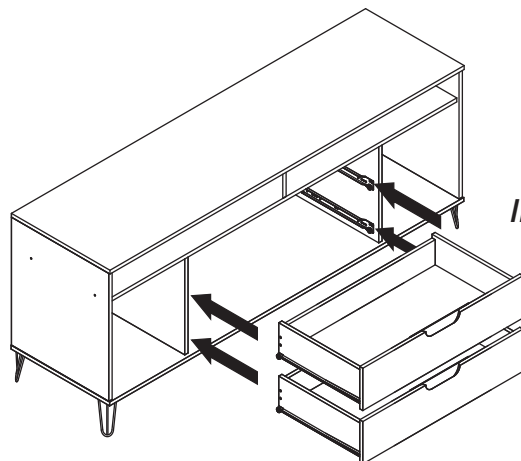
Connect parts (07), (08) and (06) using the hardware (D + E).
Apply hardware (H) on the hardware (E).

Step 09



Use the hardware (I) with the hardware (F) as shown on detail.

Step 09



Install the drawer fitting it into the slides fixed on the side of parts (03) and (04).

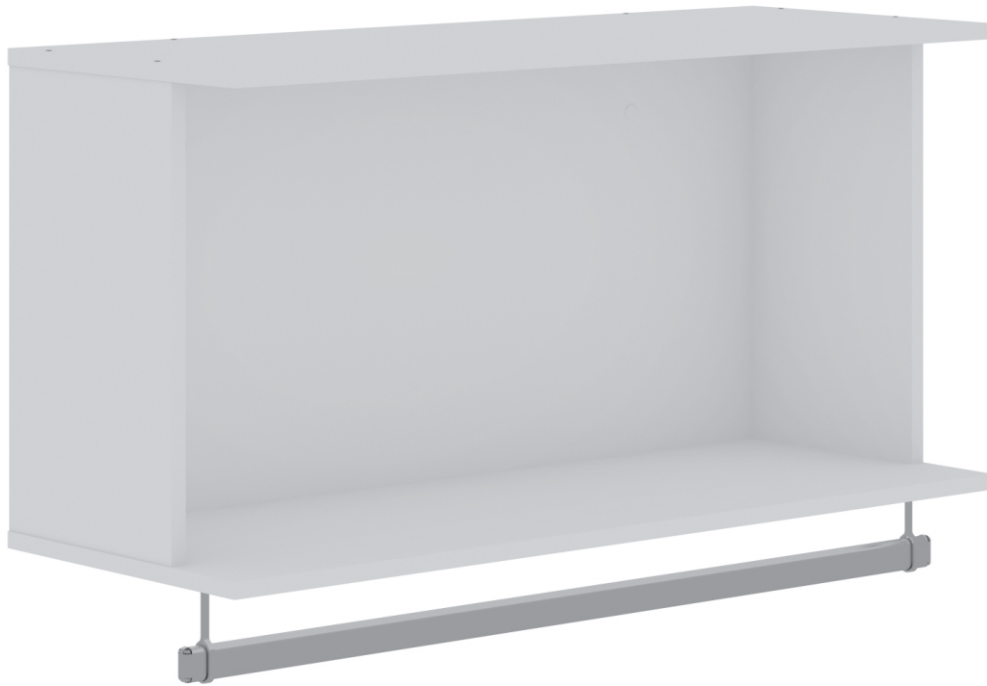


MANHATTAN
COMFORT

888-230-2225

help@manhattancomfort.com

319 Ridge Rd. Dayton, NJ 08810, New Jersey - United States

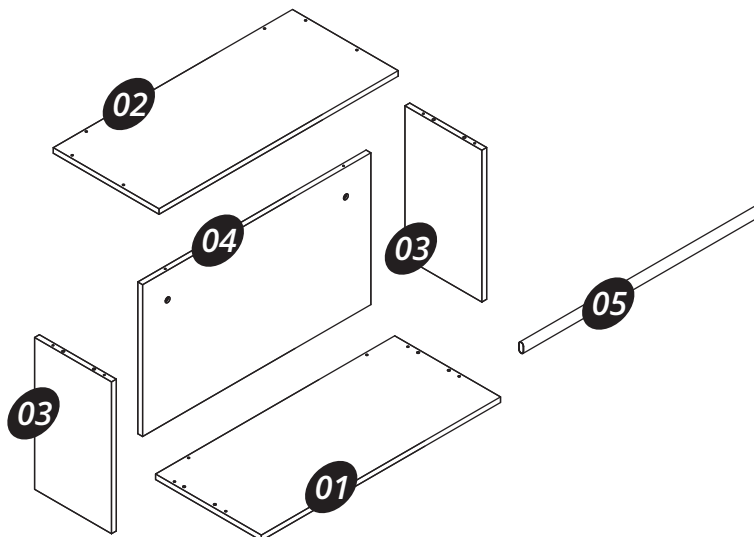


Rockefeller

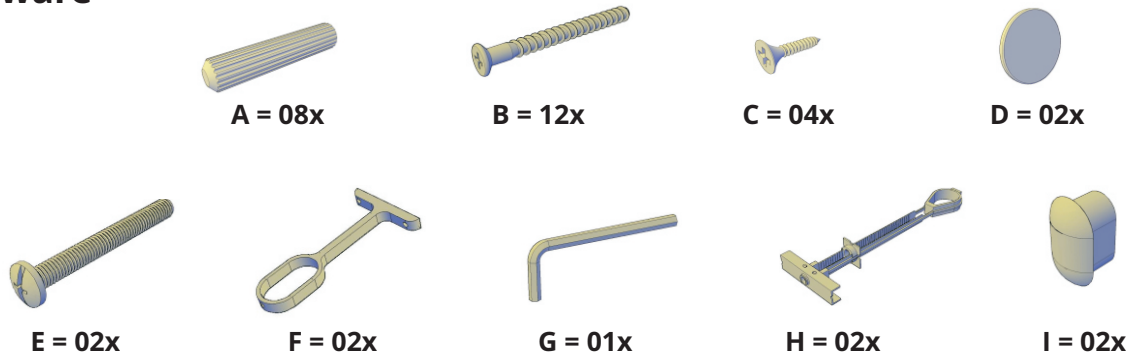
35.24" Floating Open Hanging Closet

Included in the package

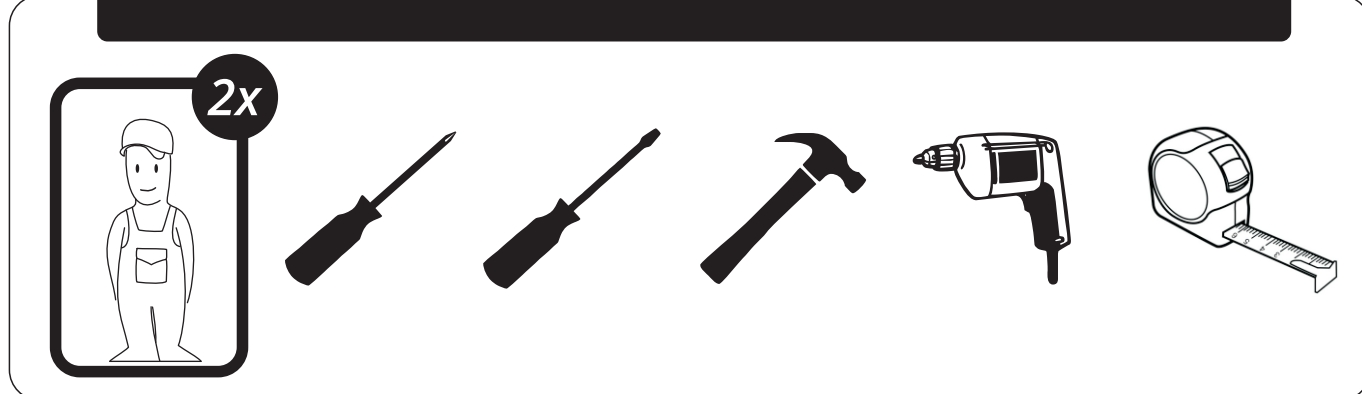
Part	Description	Qty	Box
01	Base	01	01
02	Top	01	01
03	Lateral	02	01
04	Rear Panel	01	01
05	Hanger Bar	01	01

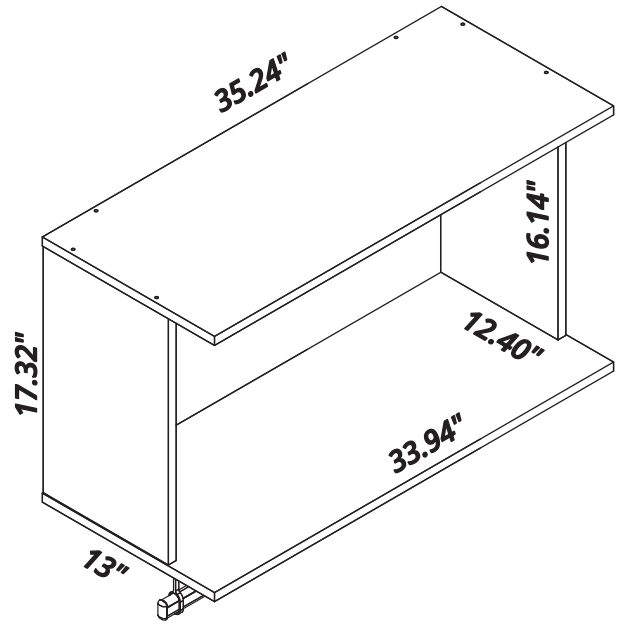
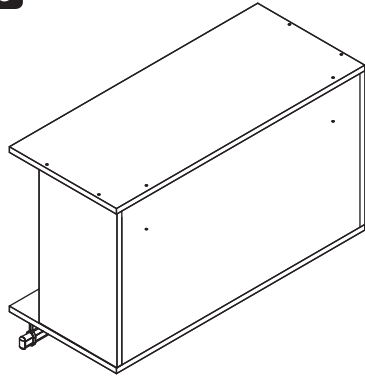
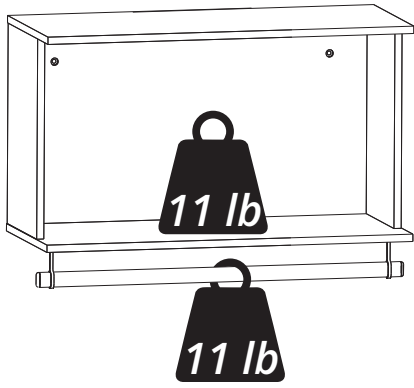


Hardware

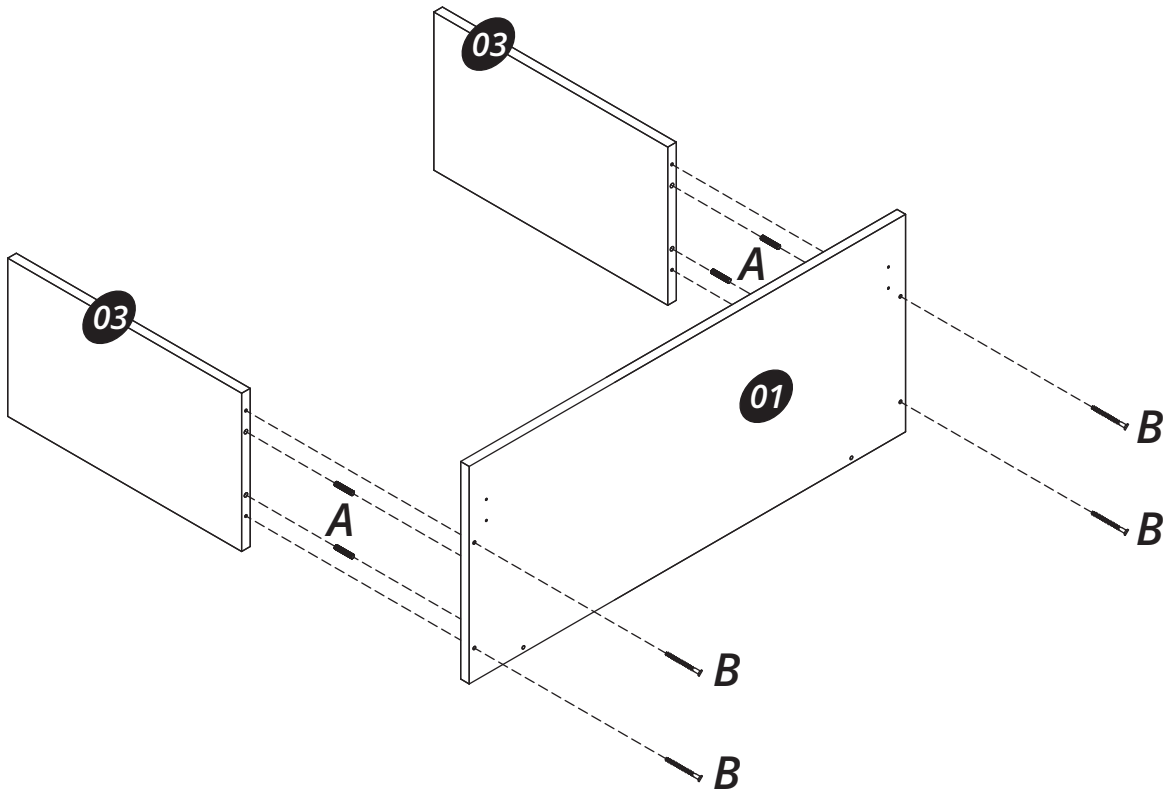


Tools needed (not included)



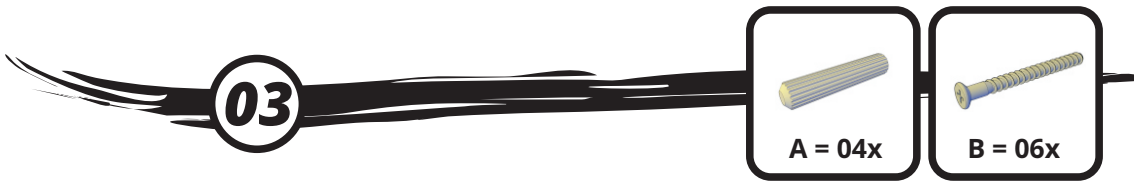
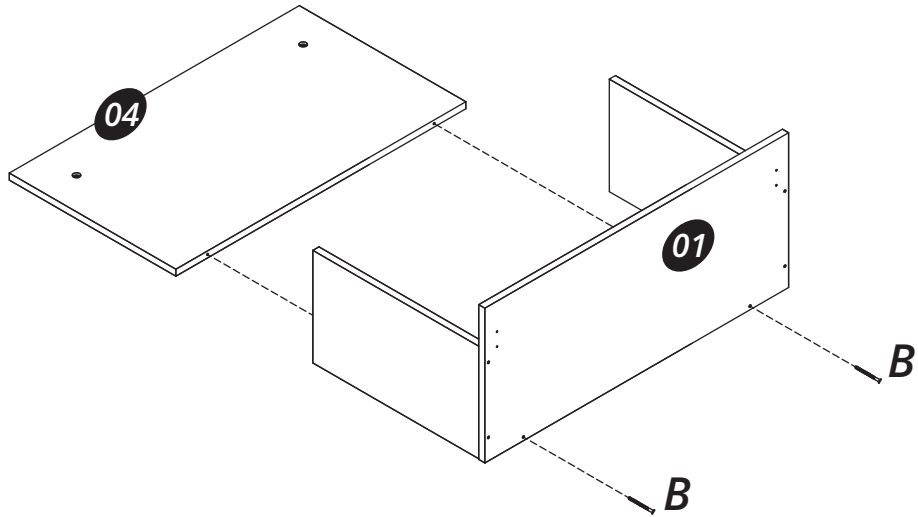


Connect the part (01) onto the parts (03) with the hardware (A + B).

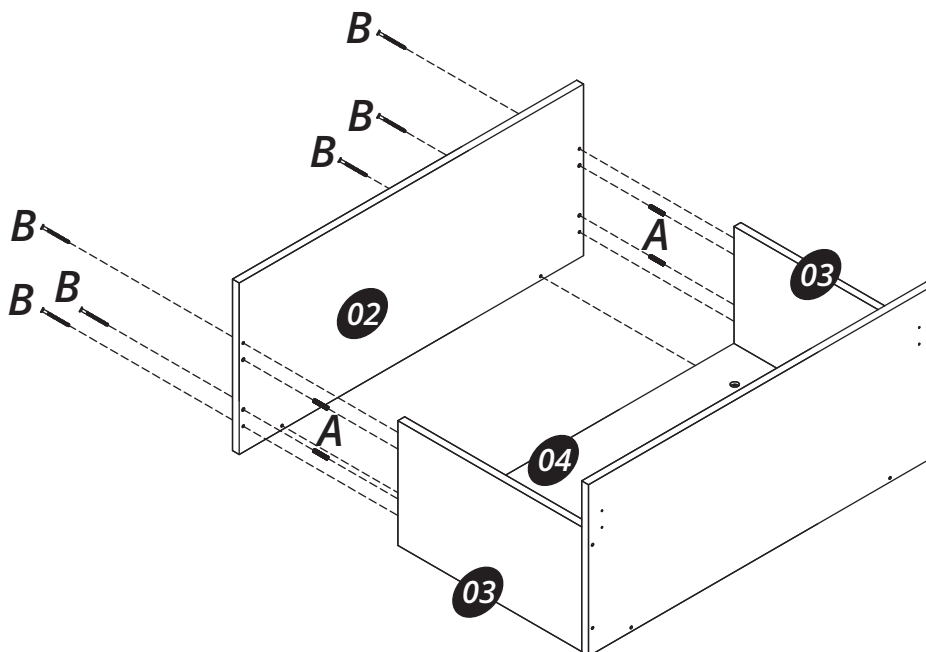


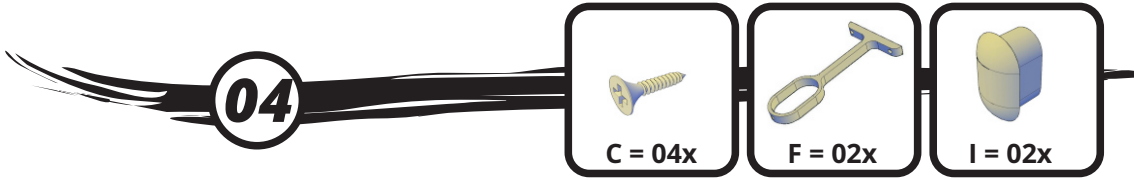


Observe the correct position of the part (04) before connect onto the part (01) with the hardware (B).



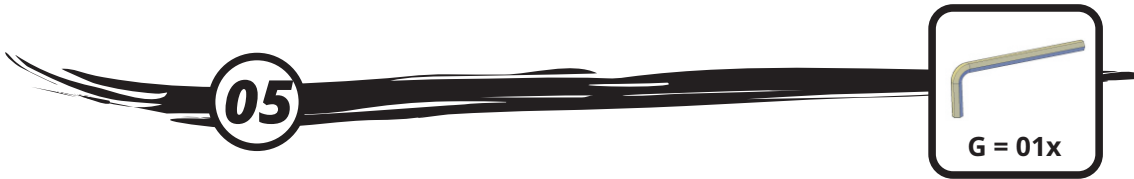
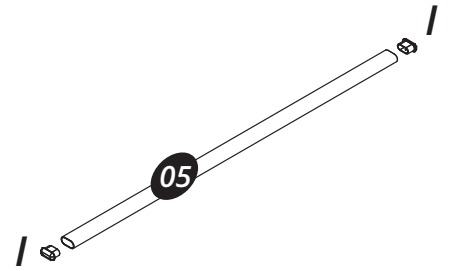
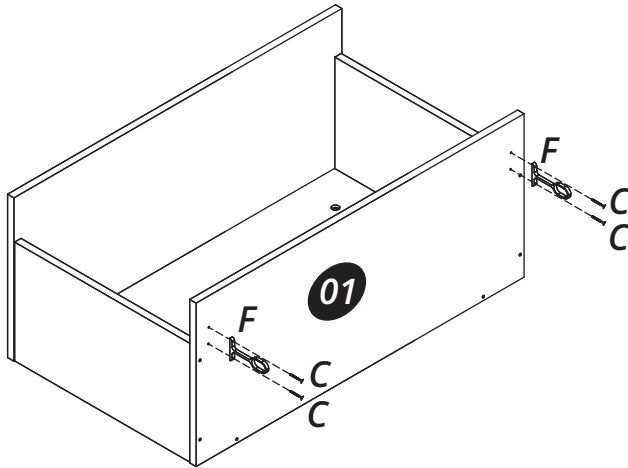
Connect the part (02) onto the parts (03, 04) with the hardware (B) and the hardware (A).



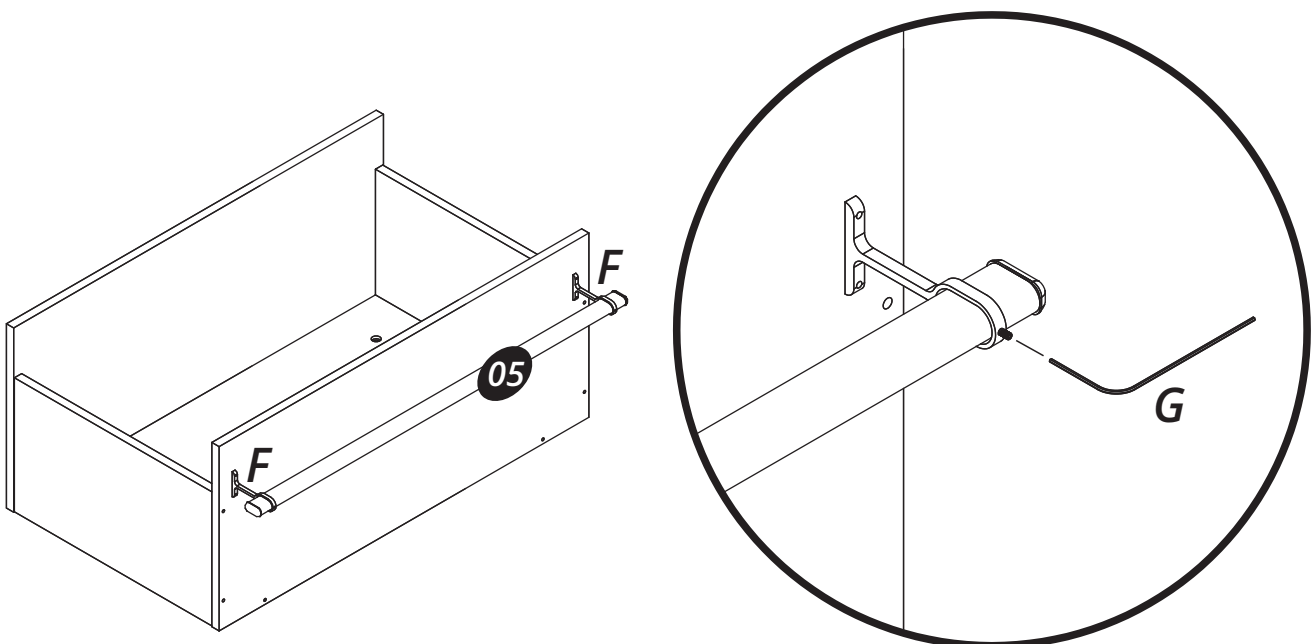


Connect the hardware (F) onto the part (01) using the hardware (C).

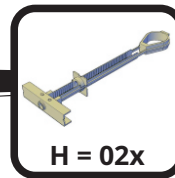
Connect the hardware (I) into the part (05).



Pass the part (05) through the hardware (F) and use the hardware (G) to tight the screw as shown on detail.

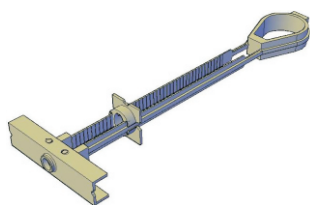
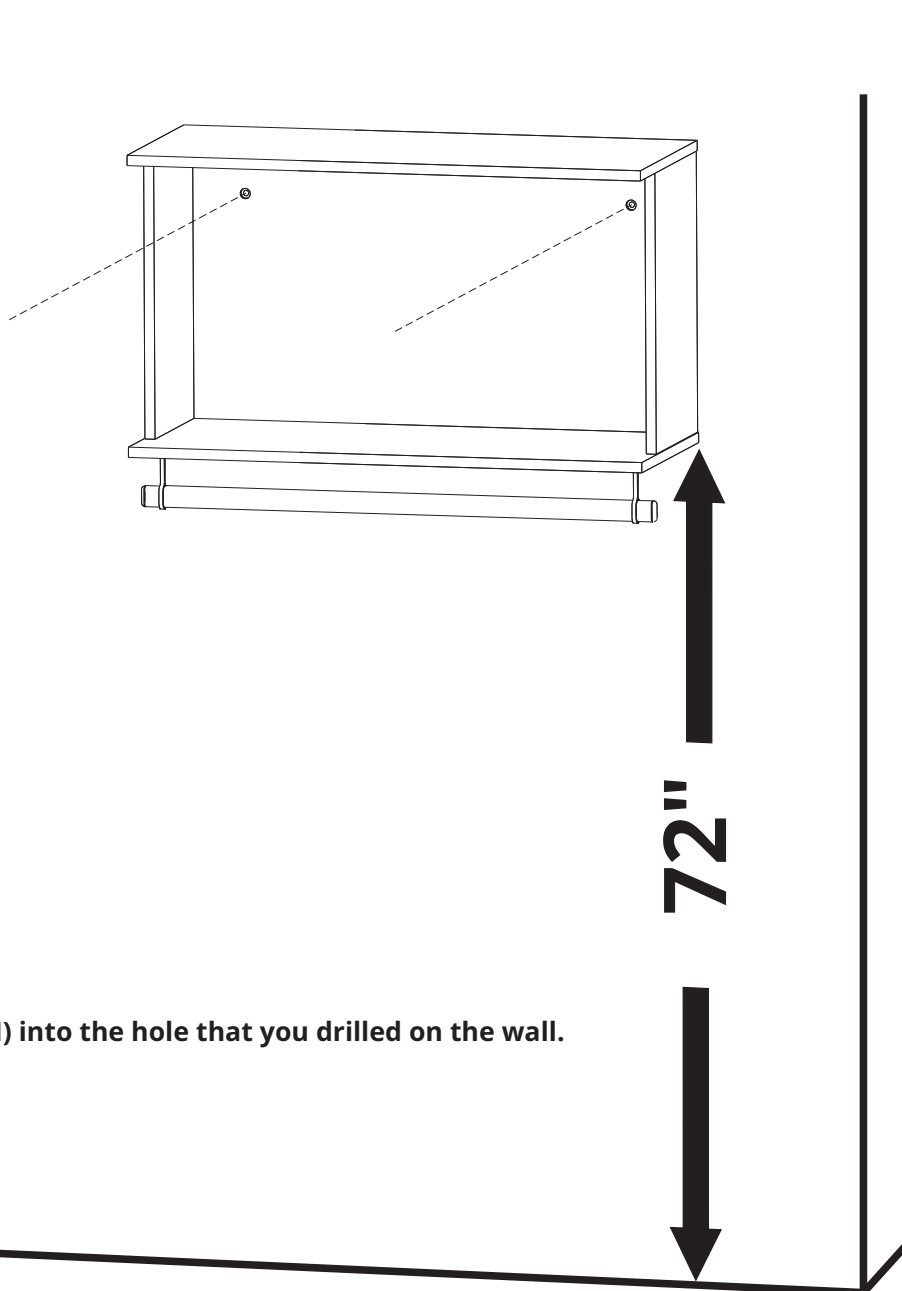


06

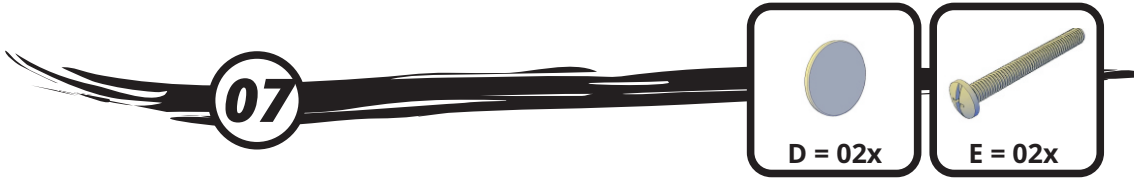


Observe the indicated height of the Floating Open Hanging Closet using the floor as reference (around of 72").

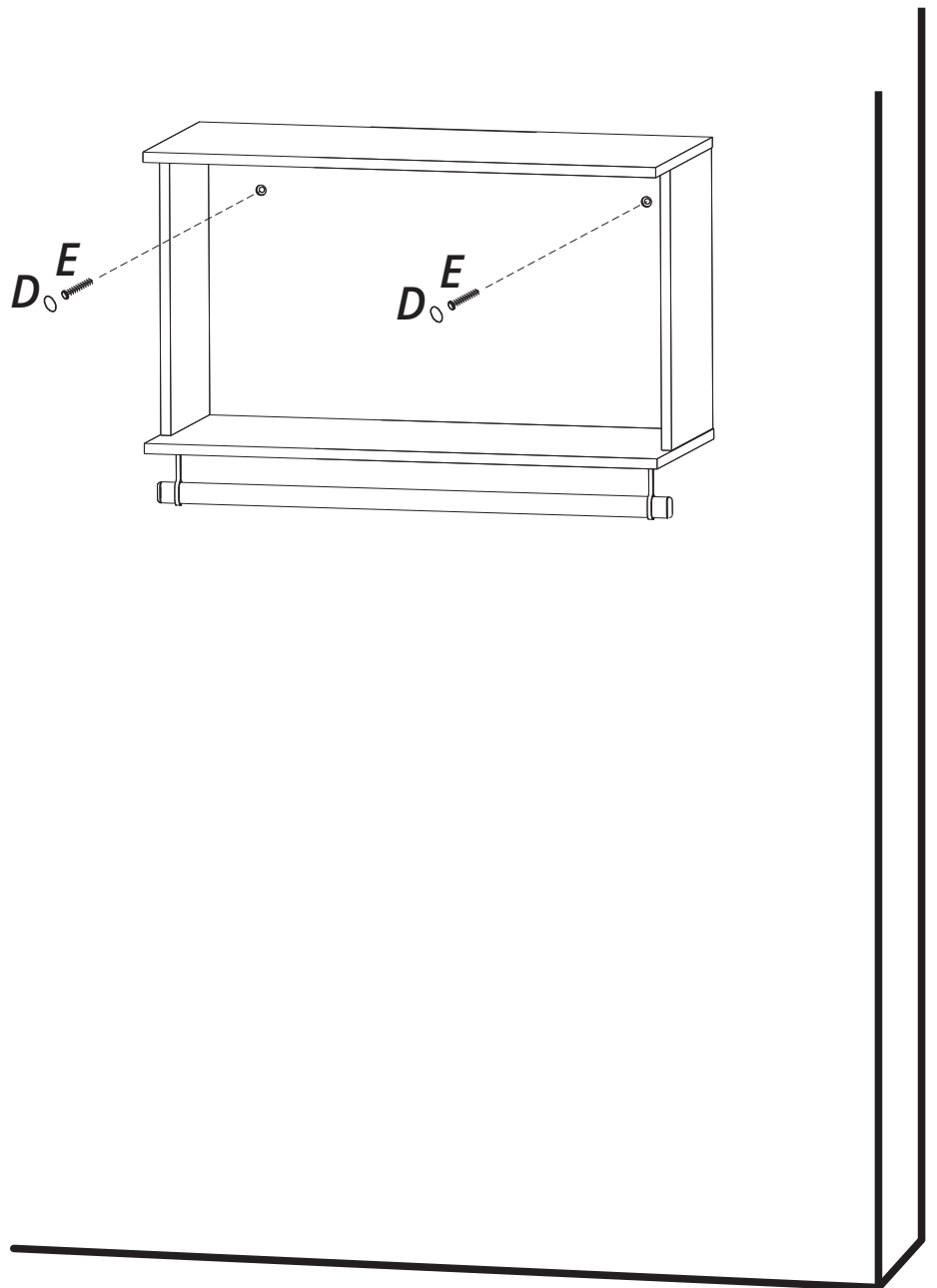
You will need a pencil to mark where you should drill the wall with a 1 /2" drill bit to put in the hardware (H).



You will need apply the hardware (H) into the hole that you drilled on the wall.



Connect the Floating Open Hanging Closet on the wall with the hardware (E + D)





MANHATTAN
COMFORT

888-230-2225

help@manhattancomfort.com

319 Ridge Rd. Dayton, NJ 08810, New Jersey - United States

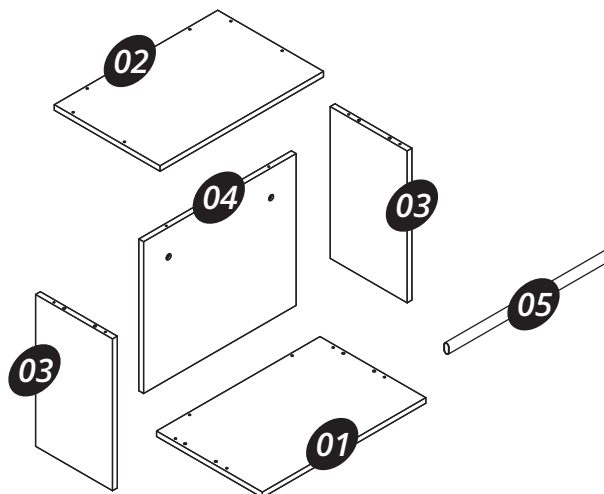


Rockefeller

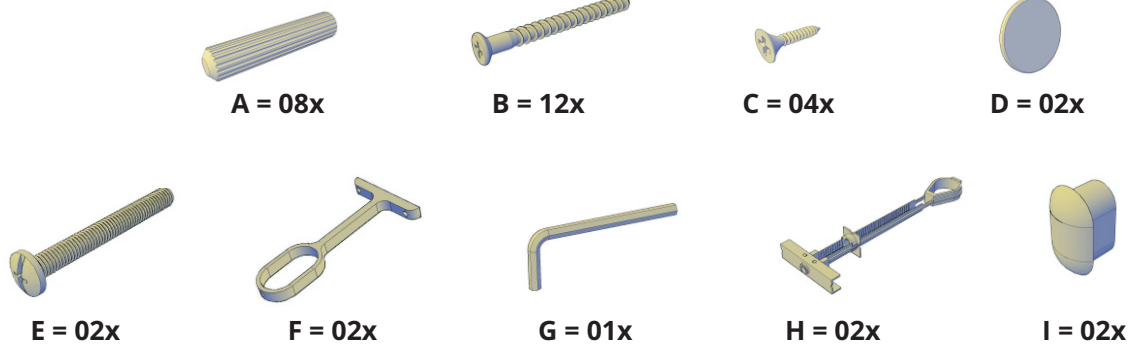
20.08" Floating Open Hanging Closet

Included in the package

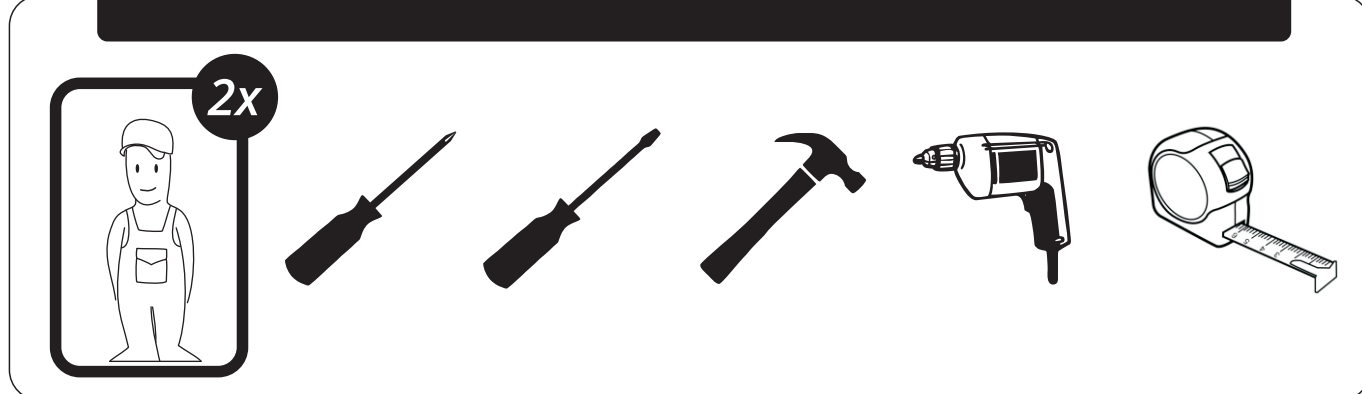
Part	Description	Qty	Box
01	Base	01	01
02	Top	01	01
03	Lateral	02	01
04	Rear Panel	01	01
05	Hanger Bar	01	01

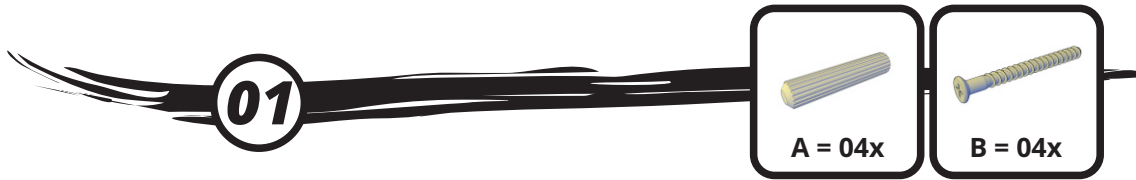
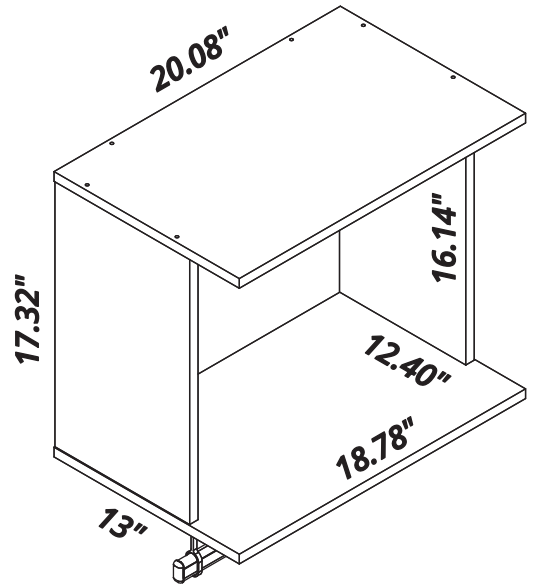
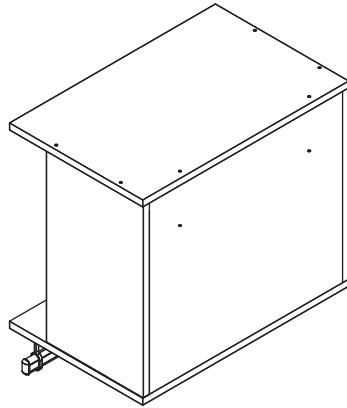
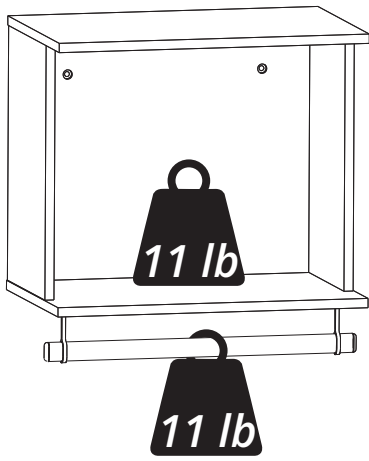


Hardware

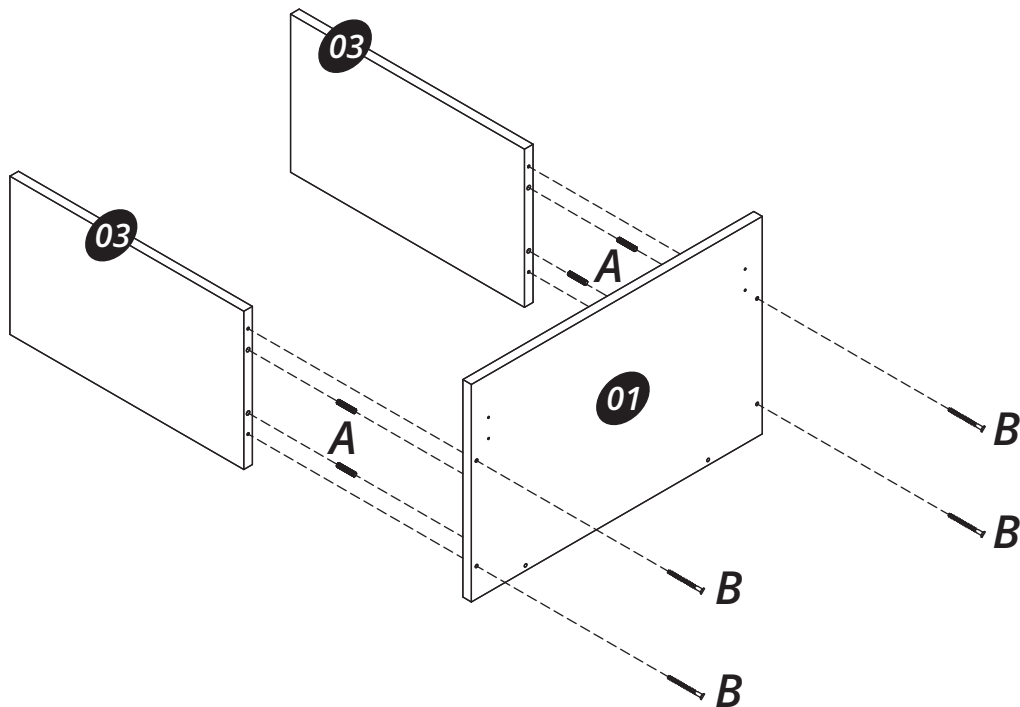


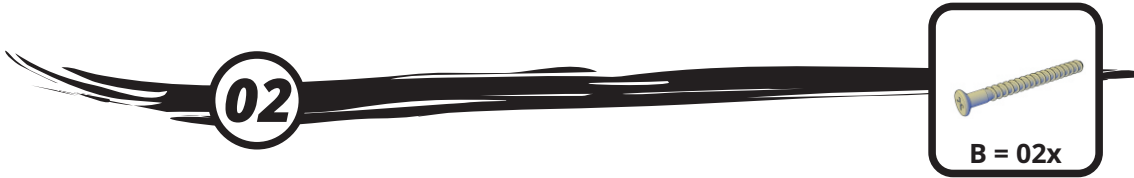
Tools needed (not included)



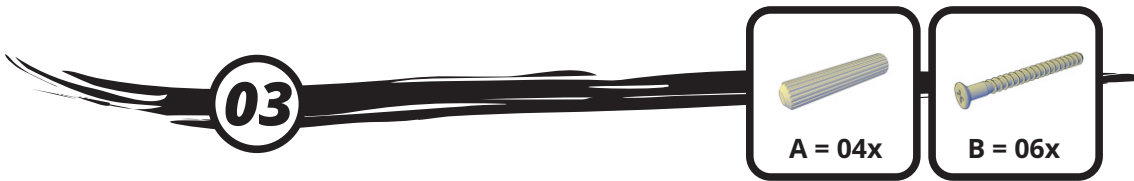
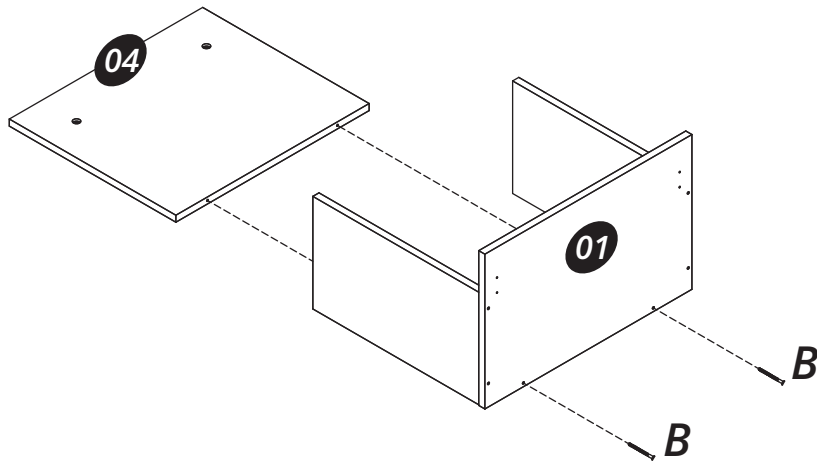


Connect the part (01) onto the parts (03) with the hardware (A + B).

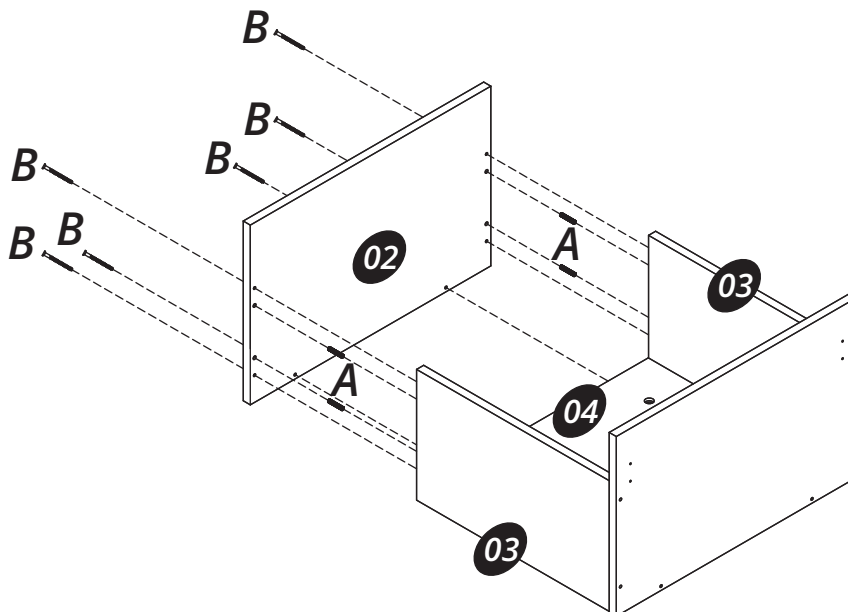


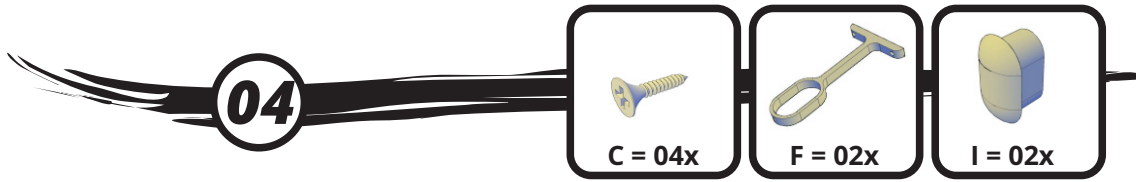


Observe the correct position of the part (04) before connect onto the part (01) with the hardware (B).



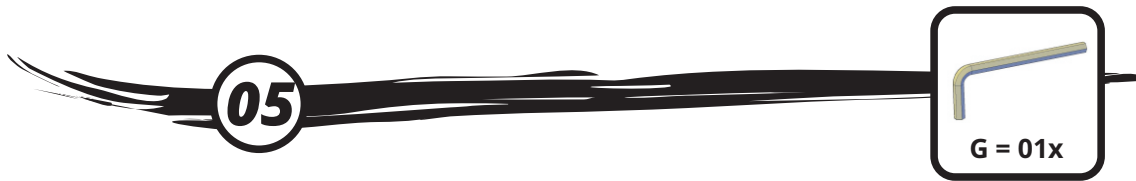
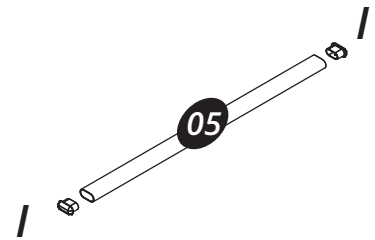
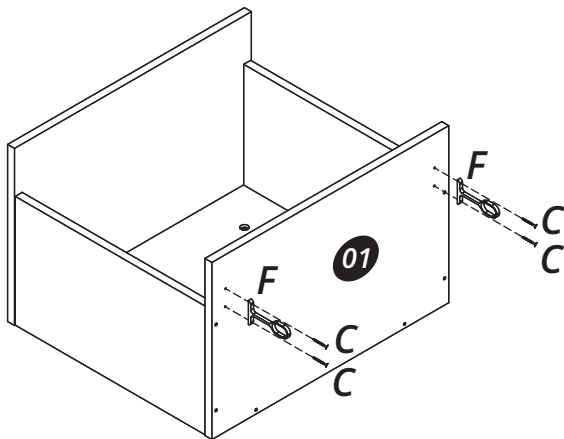
Connect the part (02) onto the parts (03, 04) with the hardware (B) and the hardware (A).



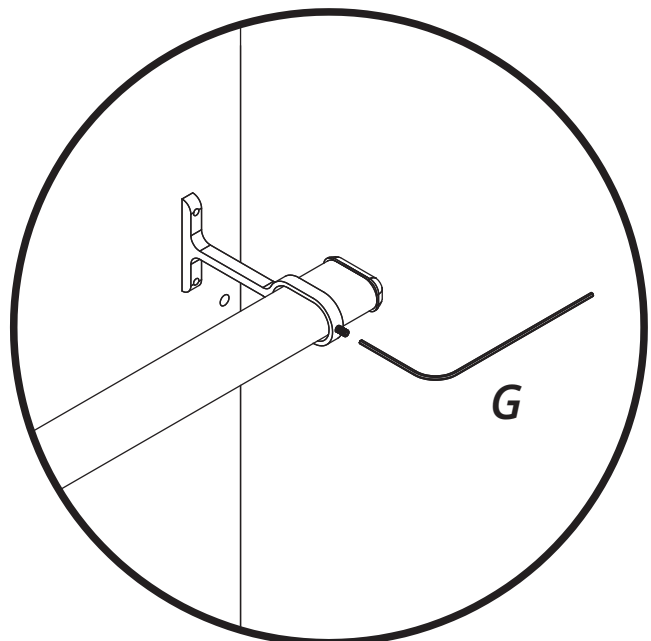
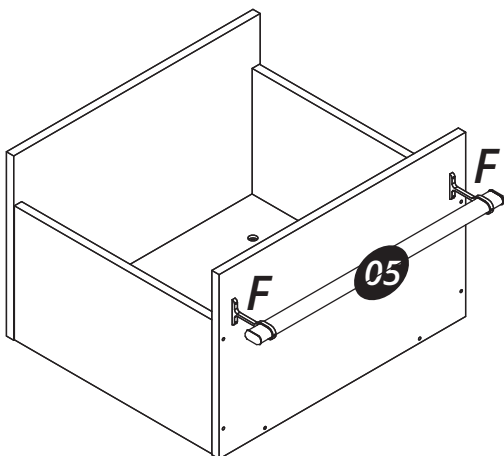


Connect the hardware (F) onto the part (01) using the hardware (C).

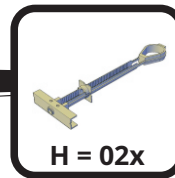
Connect the hardware (I) into the part (05).



Pass the part (05) through the hardware (F) and use the hardware (G) to tight the screw as shown on detail.

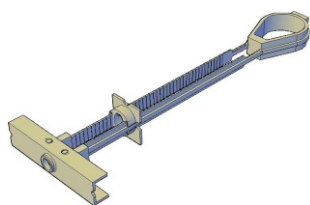
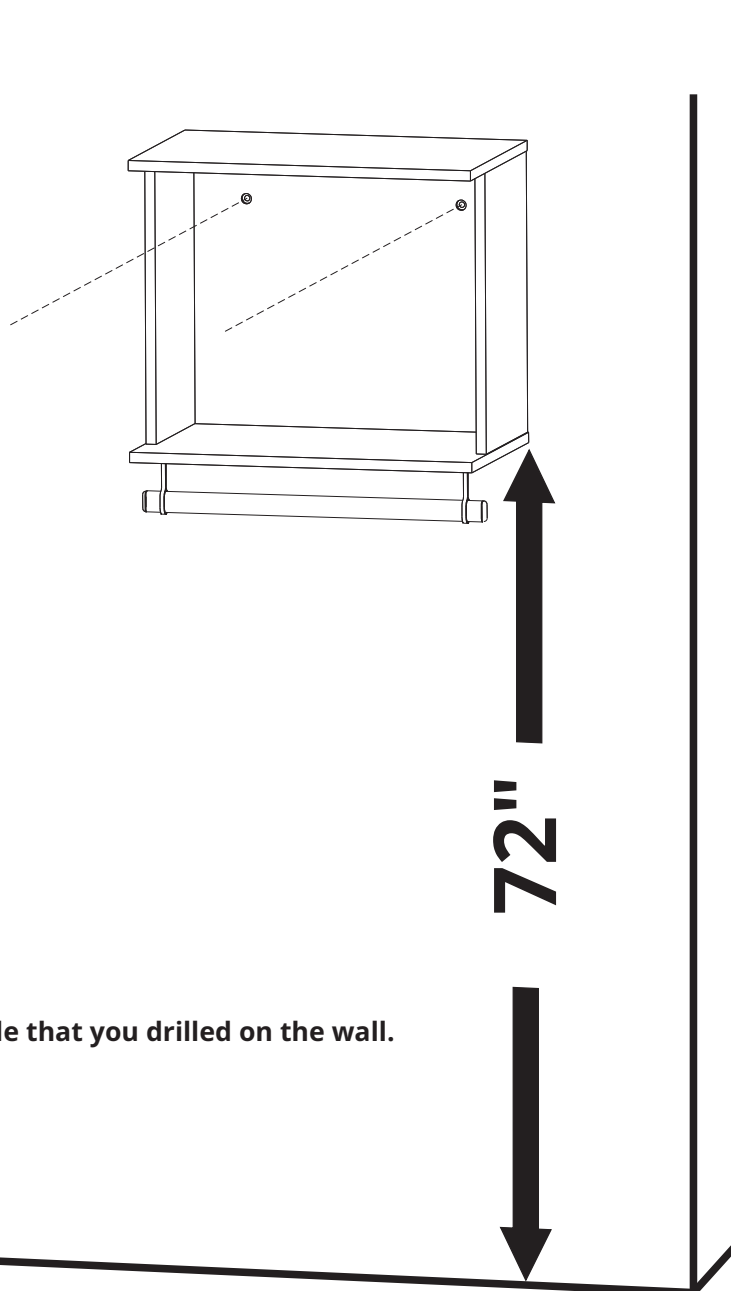


06



Observe the indicated height of the Floating Open Hanging Closet using the floor as reference (around of 72").

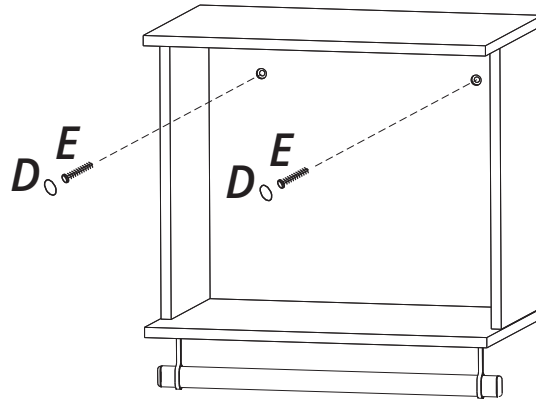
You will need a pencil to mark where you should drill the wall with a 1 /2" drill bit to put in the hardware (H).



You will need apply the hardware (H) into the hole that you drilled on the wall.



Connect the Floating Open Hanging Closet on the wall with the hardware (E + D)





MANHATTAN COMFORT

888-230-2225

help@manhattancomfort.com

319 Ridge Rd. Dayton, NJ 08810, New Jersey - United States

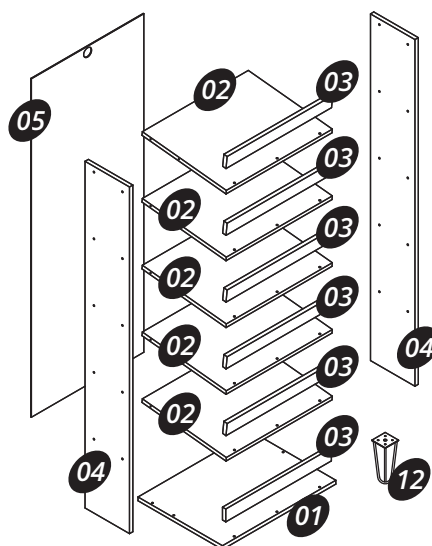


Rockefeller

Shoe Storage Rack

Included in the package

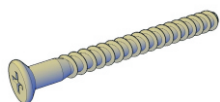
Part	Description	Qty	Box
01	Base	01	01
02	Shelf	05	01
03	Crossbar	06	01
04	Lateral	02	01
05	Rear Panel	01	01
12	Feet	04	01



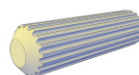
Hardware



A = 16x



B = 36x



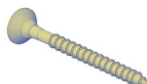
C = 06x



D = 02x



E = 34x



F = 01x



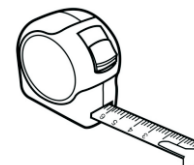
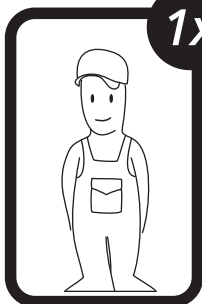
G = 01x

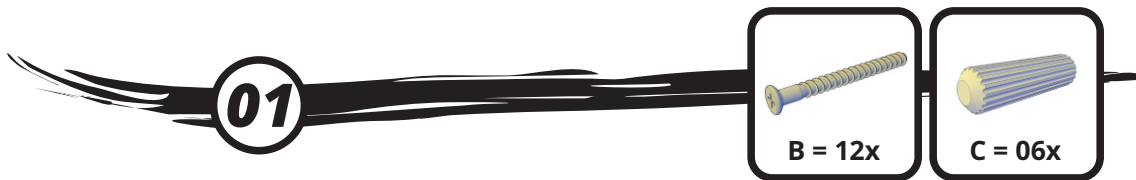
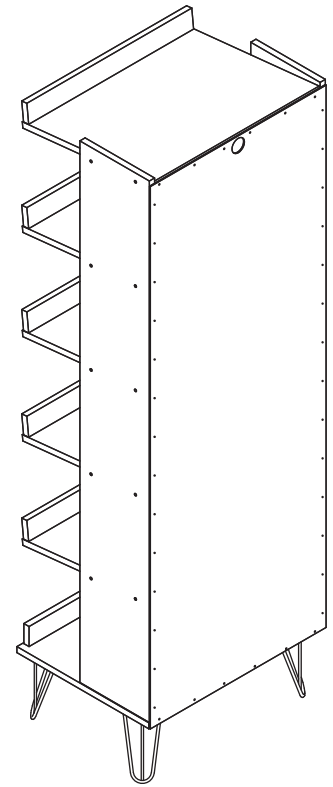
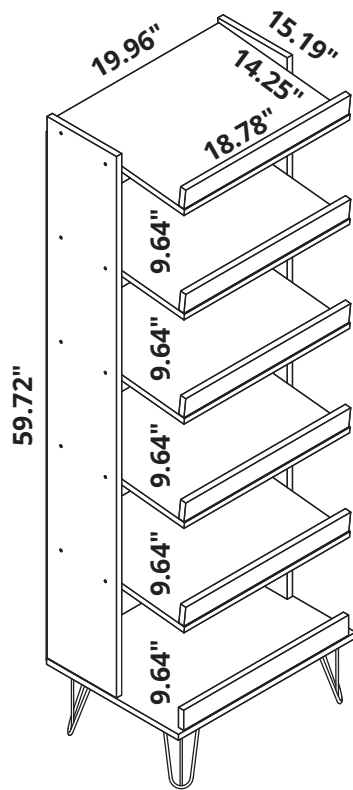
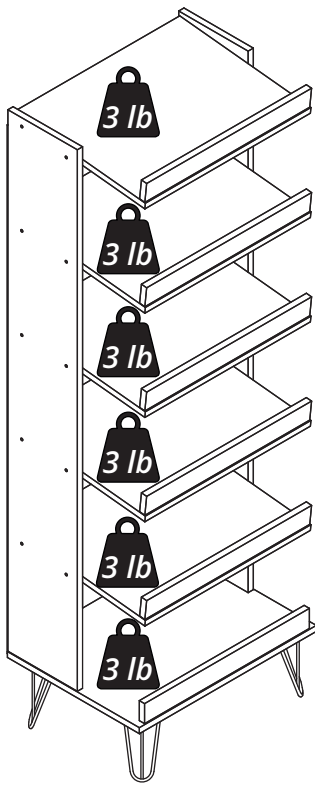


H = 01x

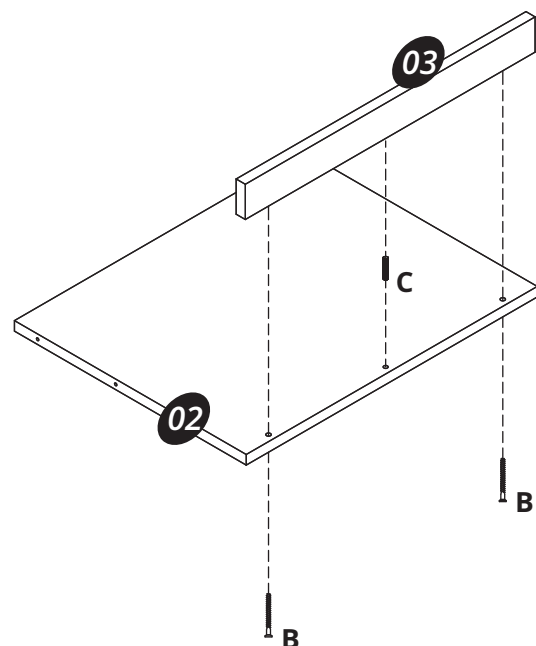
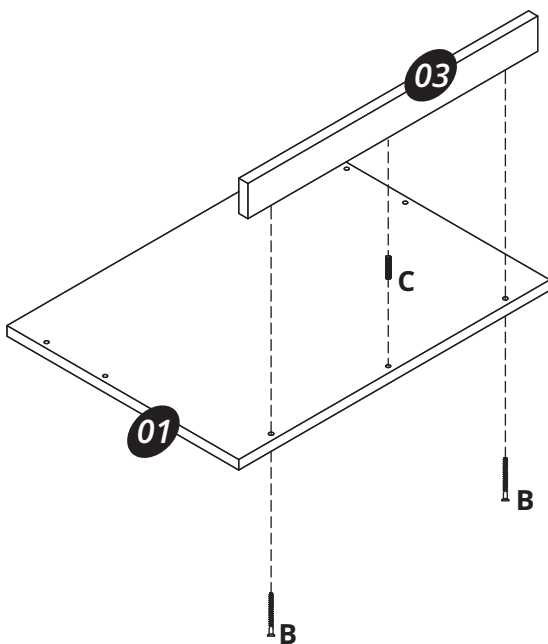
Tools needed (not included)

1x

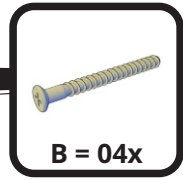




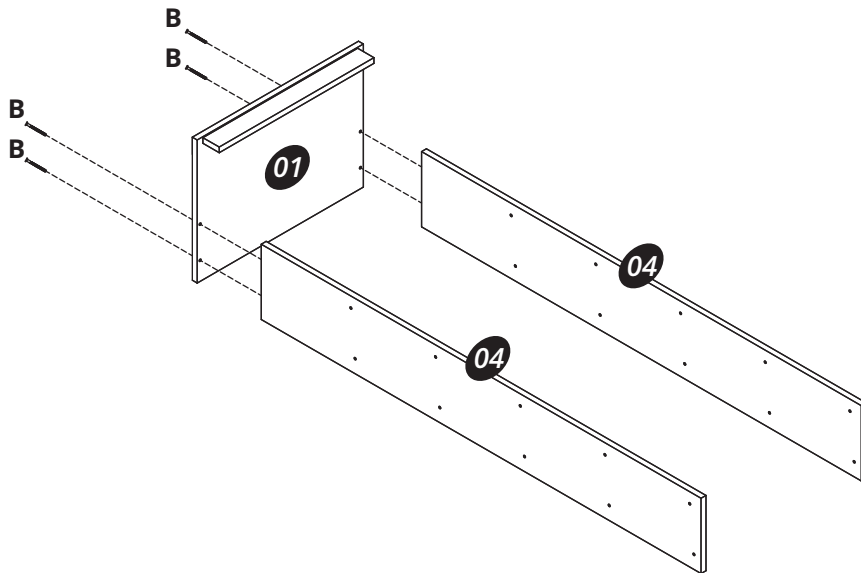
Connect the part (03) onto the parts (01, 02) with the hardware (B + C).



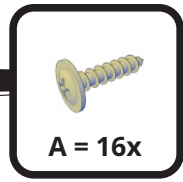
02



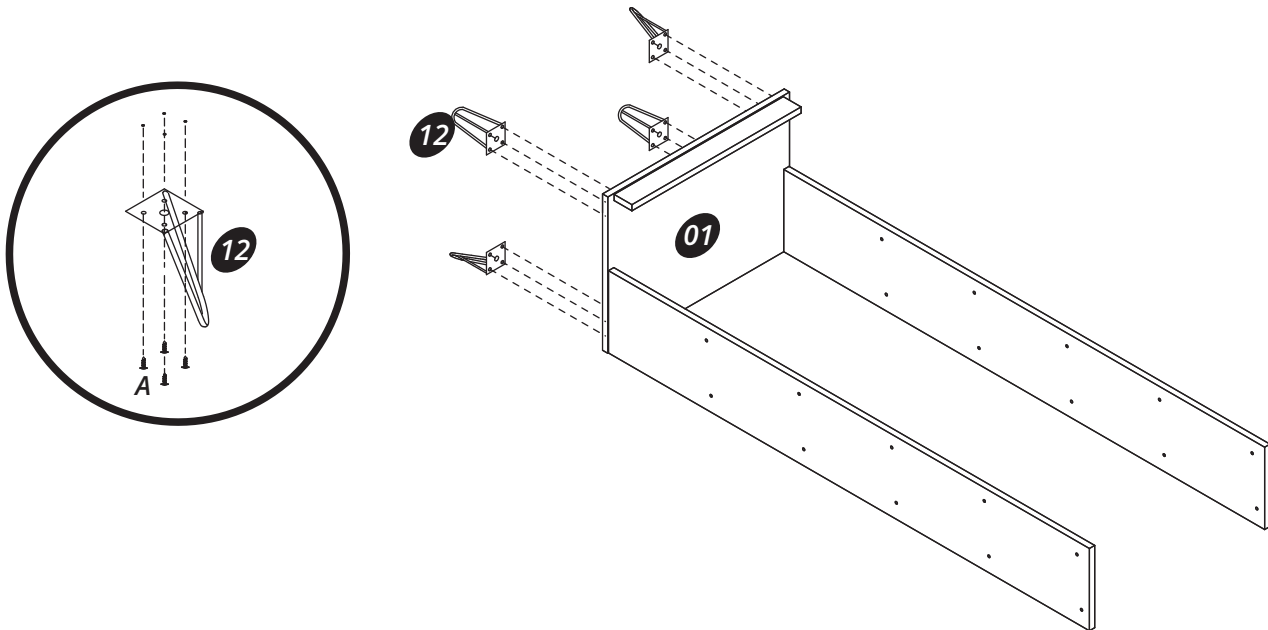
Connect the parts (04) onto the part (01) using the hardware (B).



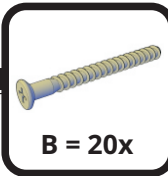
03



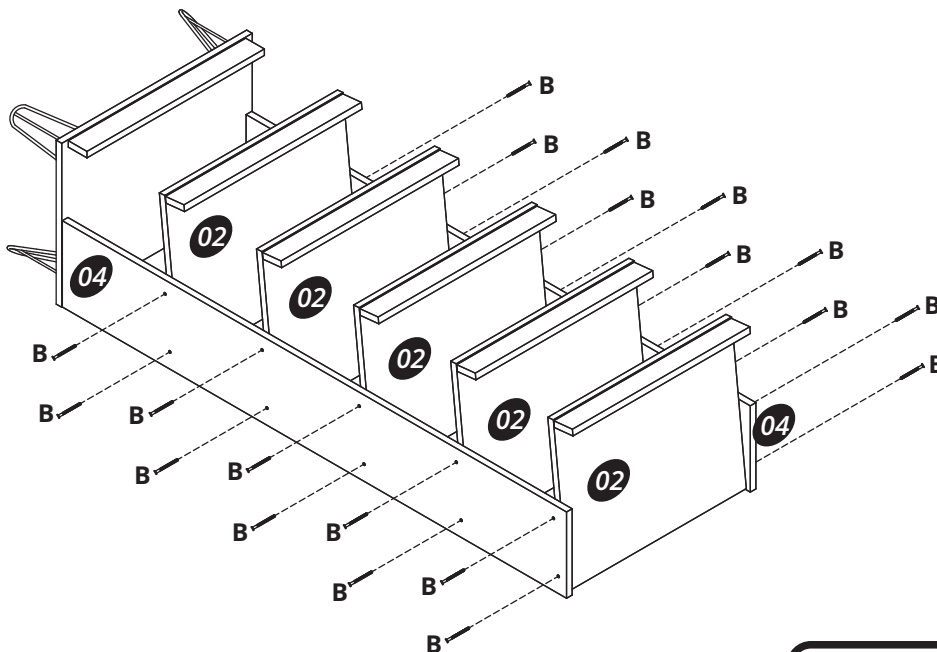
Connect the parts (12) onto the part (01) with the hardware (A).



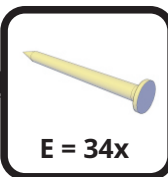
04



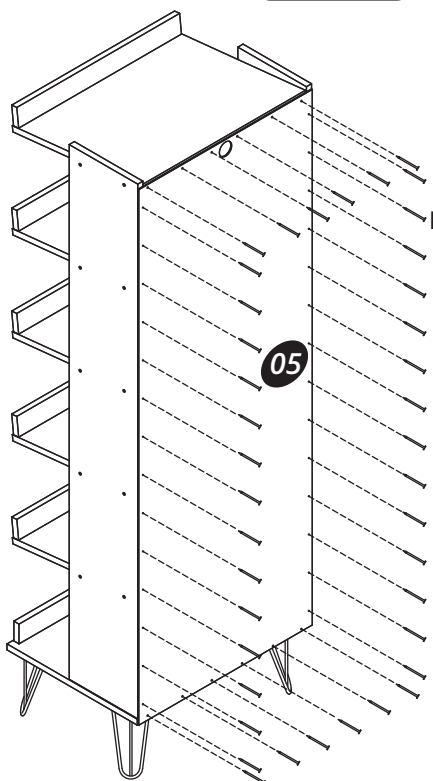
Connect the parts (02) onto the parts (04) using the hardware (B).




05




Connect the part (05) using the hardware (E).



Attention! Tipover System




D = 02x



F = 01x

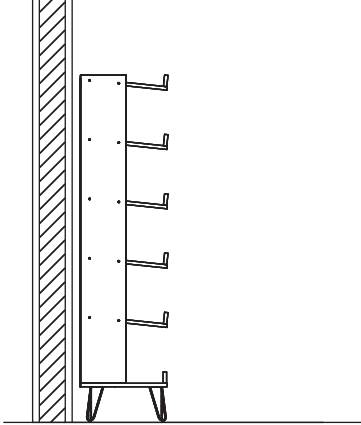


G = 01x

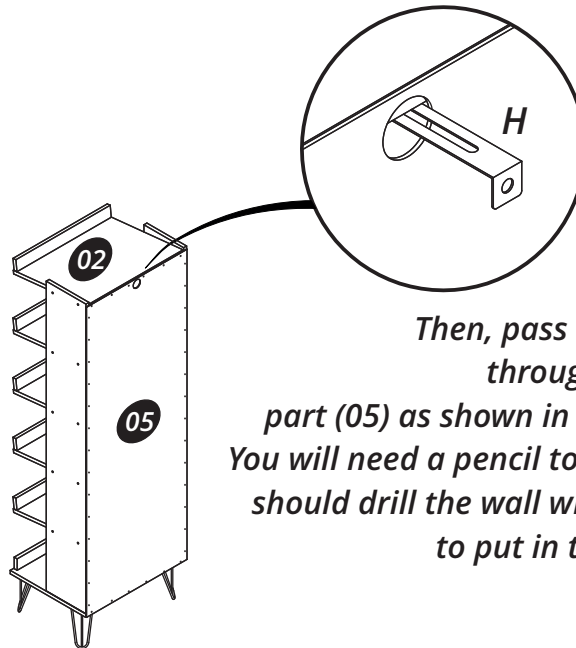


H = 01x

wall

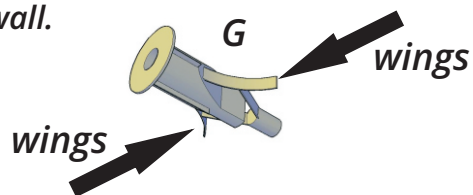


First, approach as close as possible to the wall

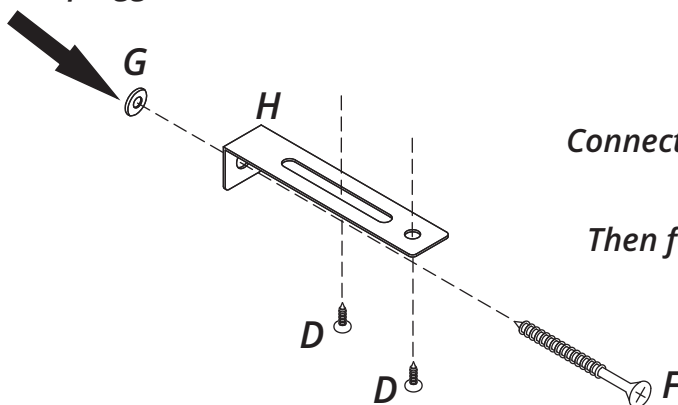


Then, pass the hardware (H) through the hole of the part (05) as shown in the figure above. You will need a pencil to mark where you should drill the wall with a 3/8" drill bit to put in the hardware (G).

*press the hardware wings (G) to put in the hole that you drilled in the wall.



Hardware (G), plugged in the wall.



Connect the hardware (H) onto the wall with the hardware (F).

Then fasten with the hardware (D) the hardware (H) on the part (02)

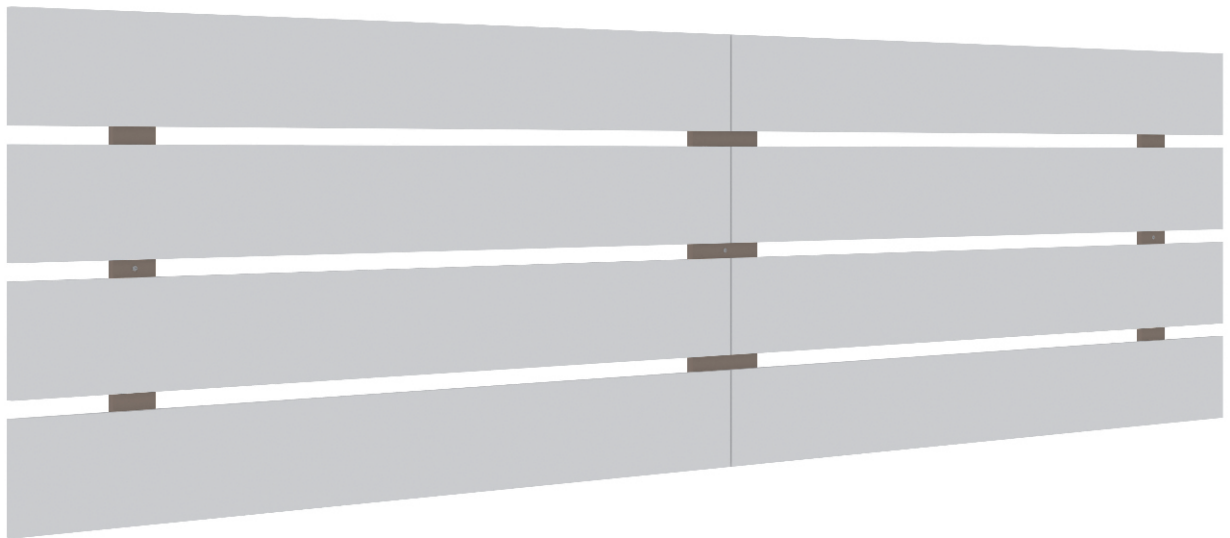


MANHATTAN COMFORT

888-230-2225

help@manhattancomfort.com

319 Ridge Rd. Dayton, NJ 08810, New Jersey - United States

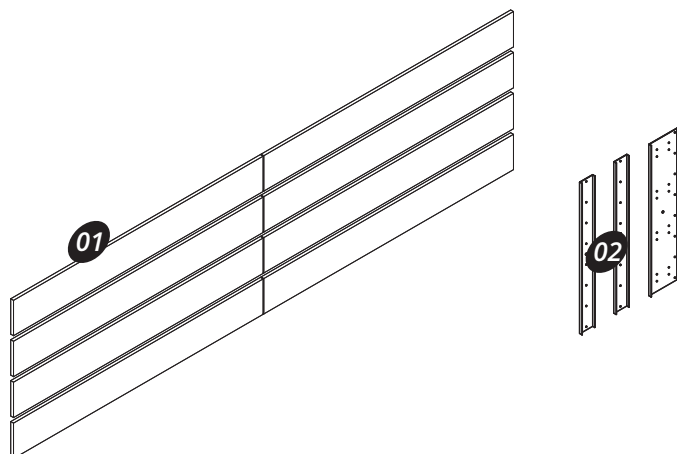


Rockefeller

106.69" Headboard

Included in the package

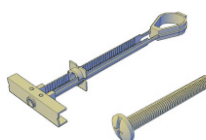
Part	Description	Qty	Box
01	Headboard Panel	08	01
02	Metal Set	01	01



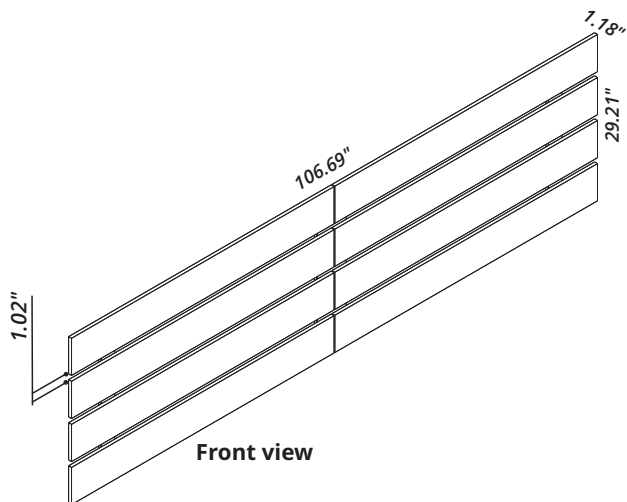
Hardware



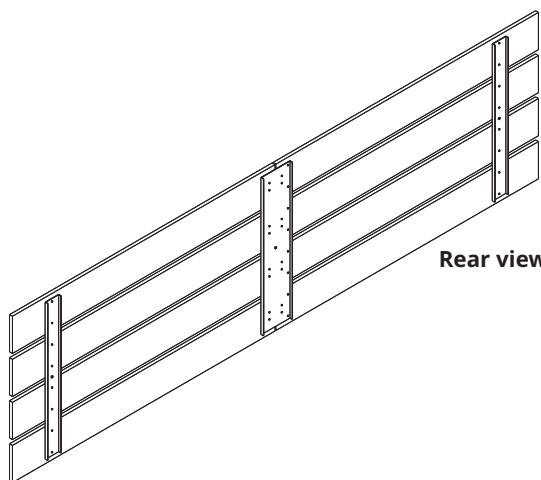
A = 48x



B = 03x



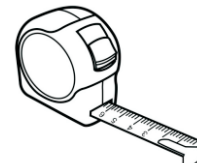
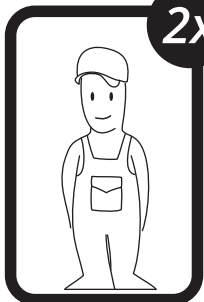
Front view



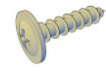
Rear view

Tools needed (not included)

2x

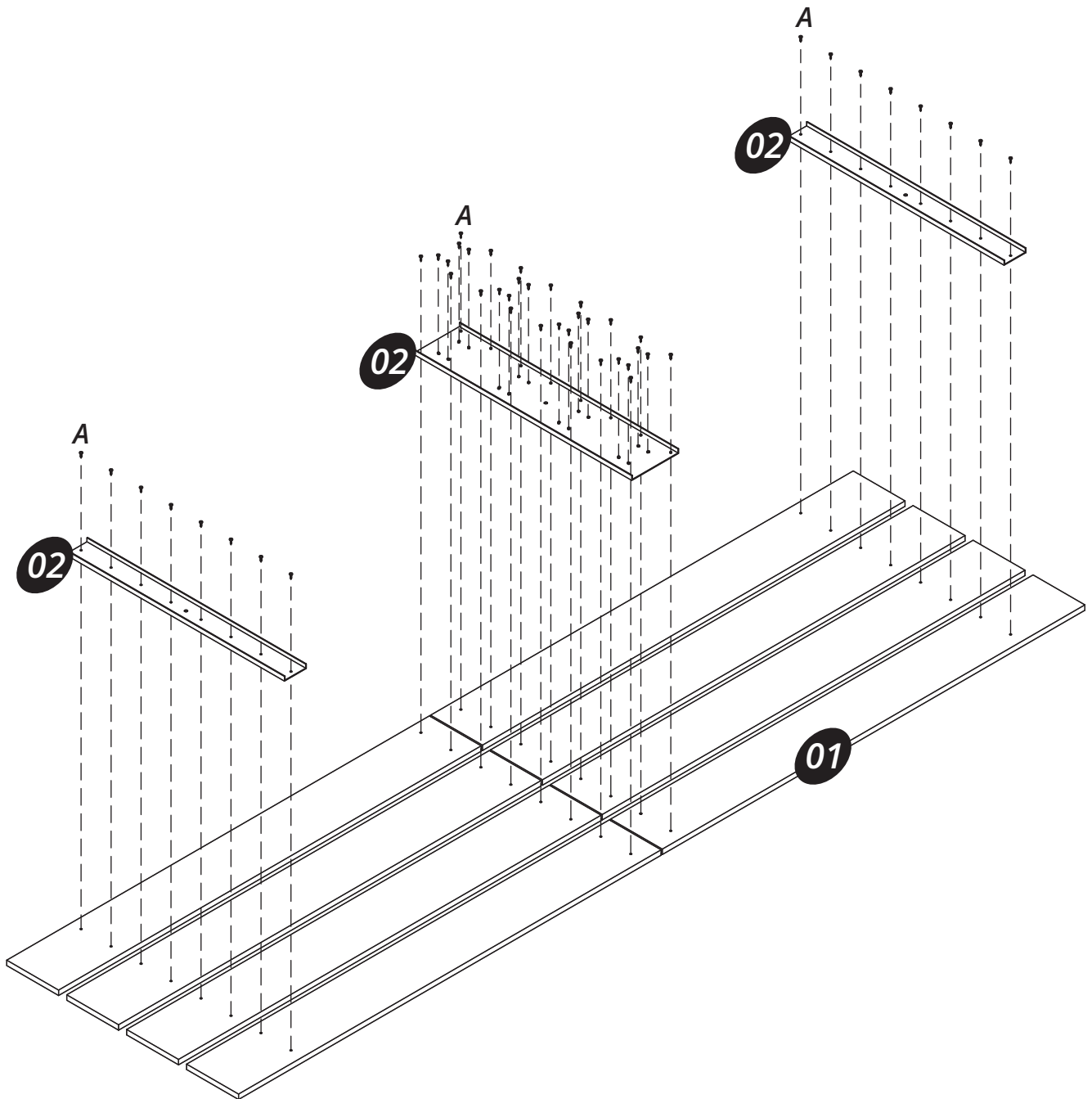


01

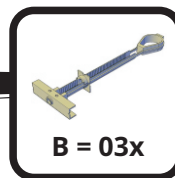


A = 48x

Connect all the parts (01) using the parts (02) with the hardware (A).



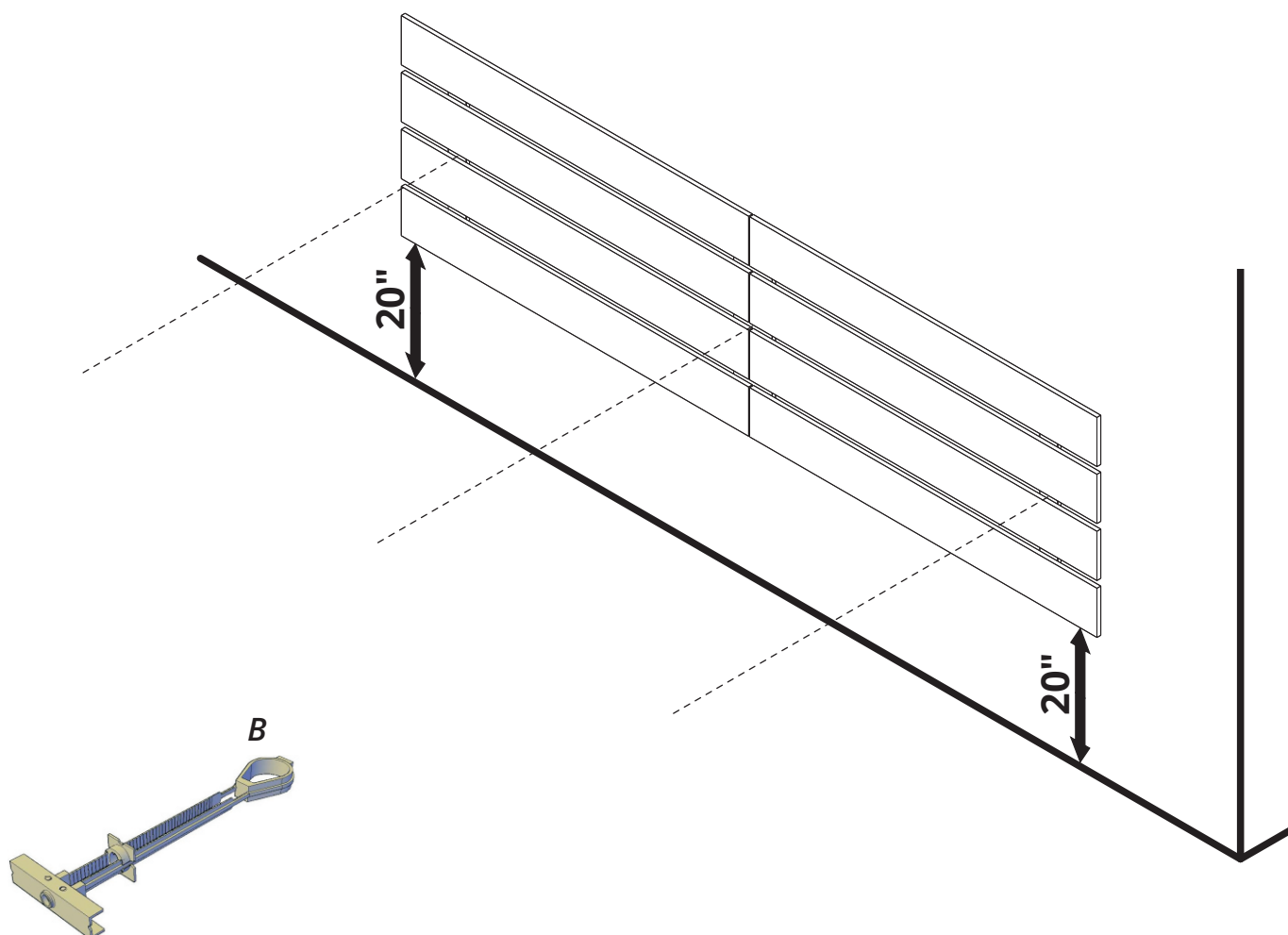
02



Observe the indicated height of the panel using the floor as reference (around of 20").

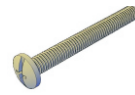
The indicated height may vary according to the height of your mattress.

You will need a pencil to mark where you should drill the wall with a 1 / 2" drill bit to put in the hardware (B).



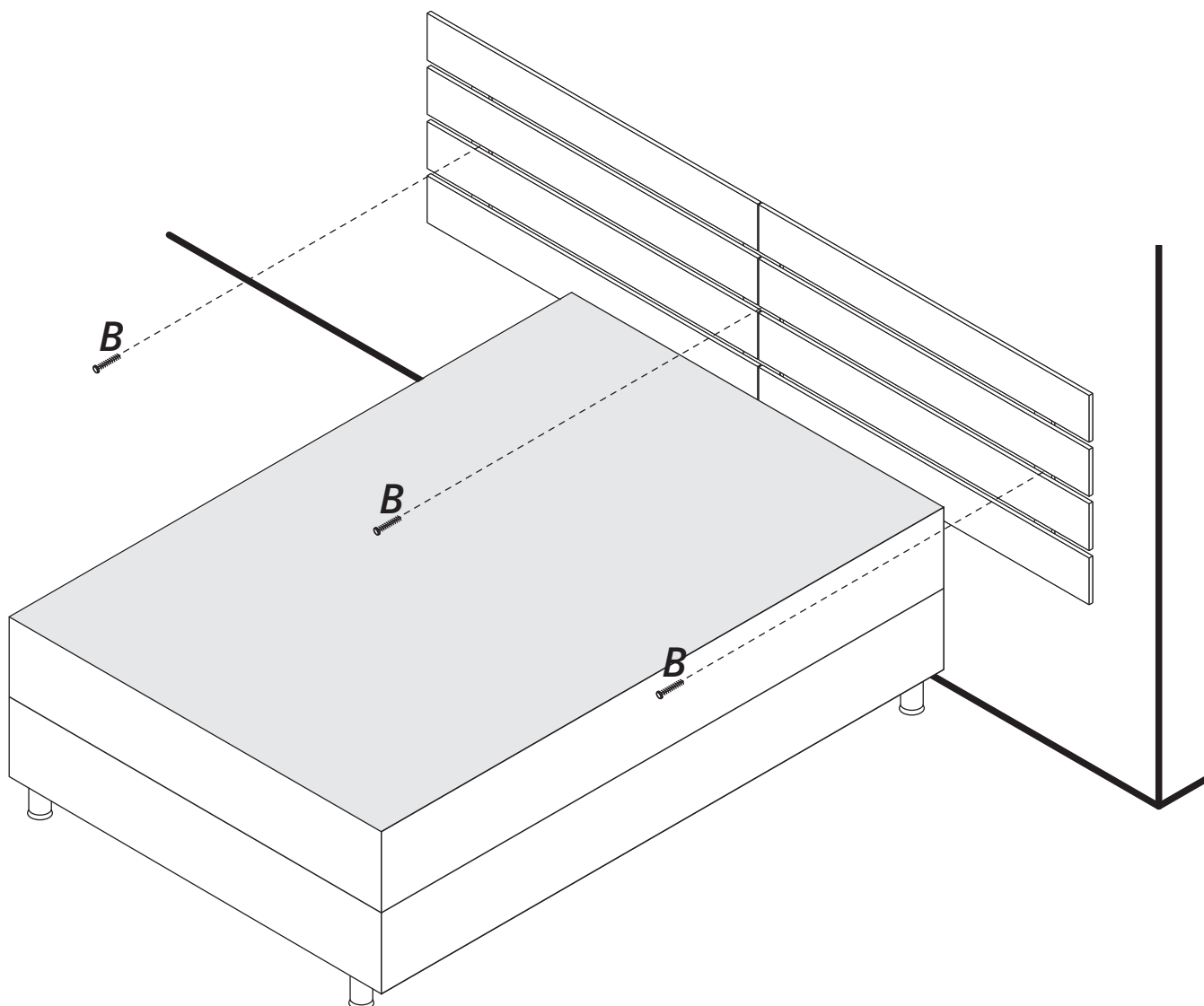
You will need apply the hardware (B) into the hole that you drilled on the wall.

03



B = 03x

Connect the panel on the wall with the hardware (B)





MANHATTAN
COMFORT

888-230-2225

help@manhattancomfort.com

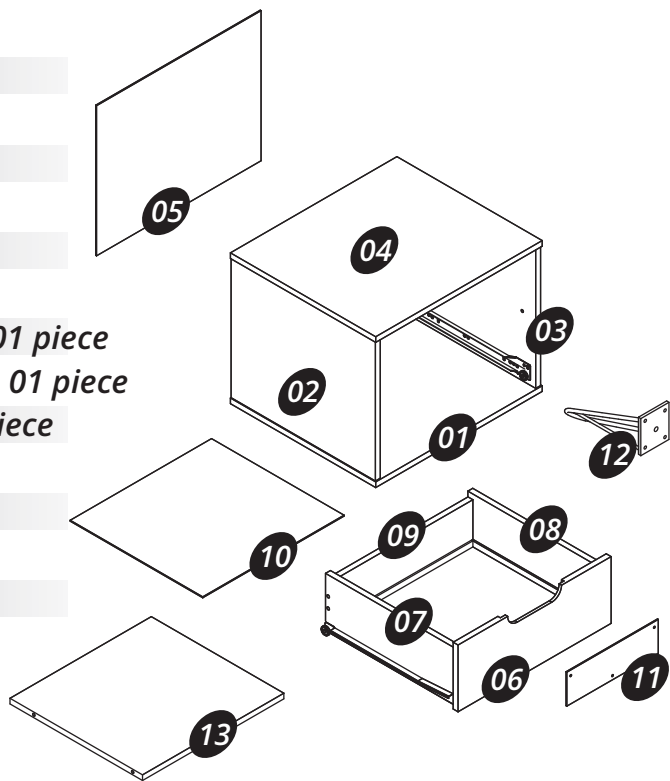


Rockefeller

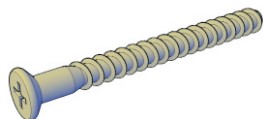
nightstand 01 drawer

Included in the package

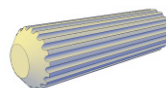
- 01 - Base = 01 piece
- 02 - Left side panel = 01 piece
- 03 - Right side panel = 01 piece
- 04 - Top panel = 01 piece
- 05 - Back panel = 01 piece
- 06 - Front of the drawer = 01 piece
- 07 - Left side panel of the drawer = 01 piece
- 08 - Right side panel of the drawer = 01 piece
- 09 - Rear panel of the drawer = 01 piece
- 10 - Base of the drawer = 01 piece
- 11 - Decorative apply = 01 piece
- 12 - Feet = 04 pieces
- 13 - Shelf = 01 piece



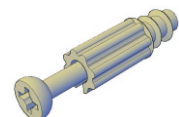
A = 16x



B = 08x



C = 08x



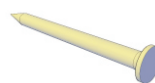
D = 12x



E = 12x



F = 03x



G = 20x



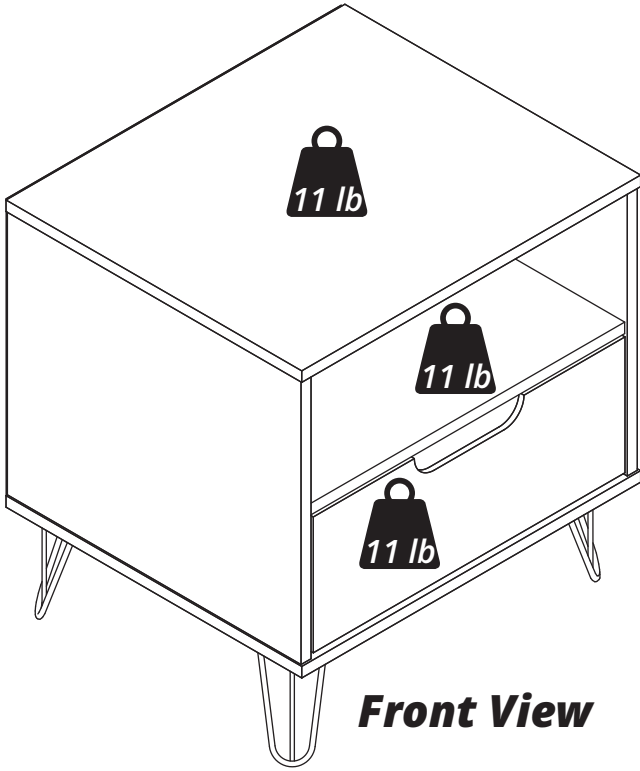
H = 12x

**Tools needed
(not included)**

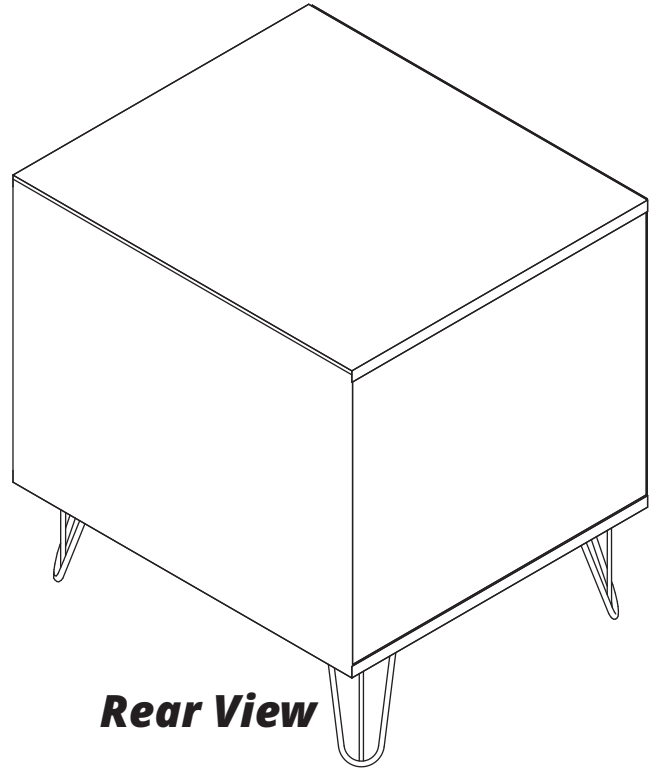


⊕ Phillips screw driver

⊘ Screw driver



Front View

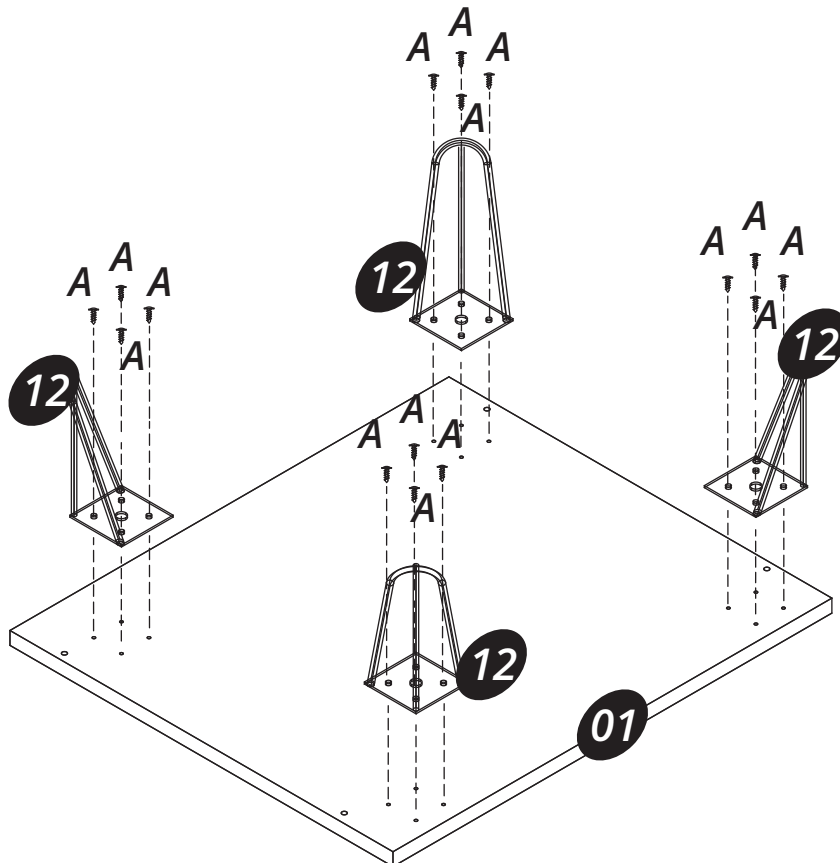


Rear View



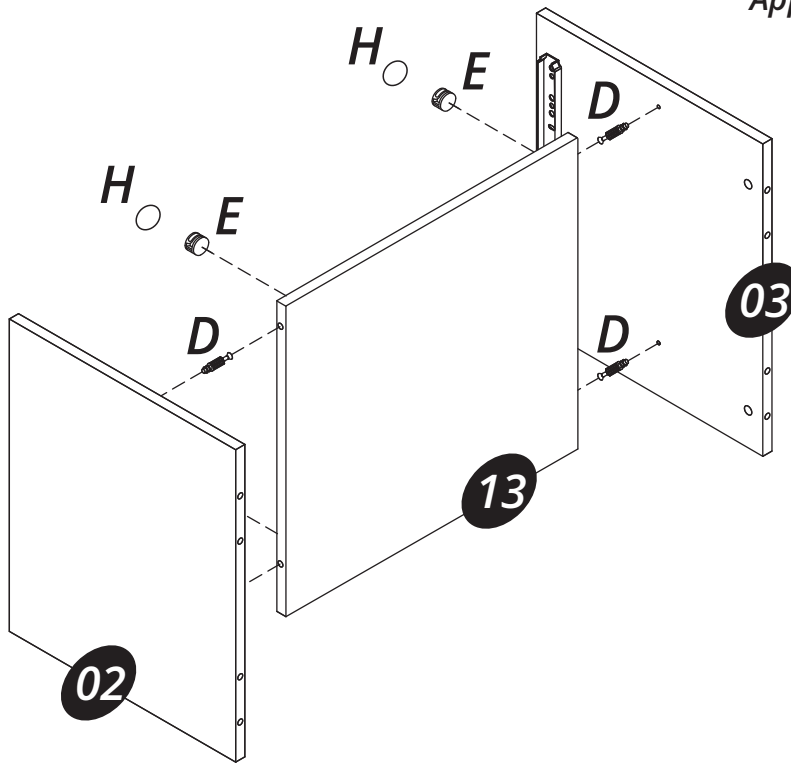
Step 01

Fix the parts (12) under the part (01) with the hardware (A).



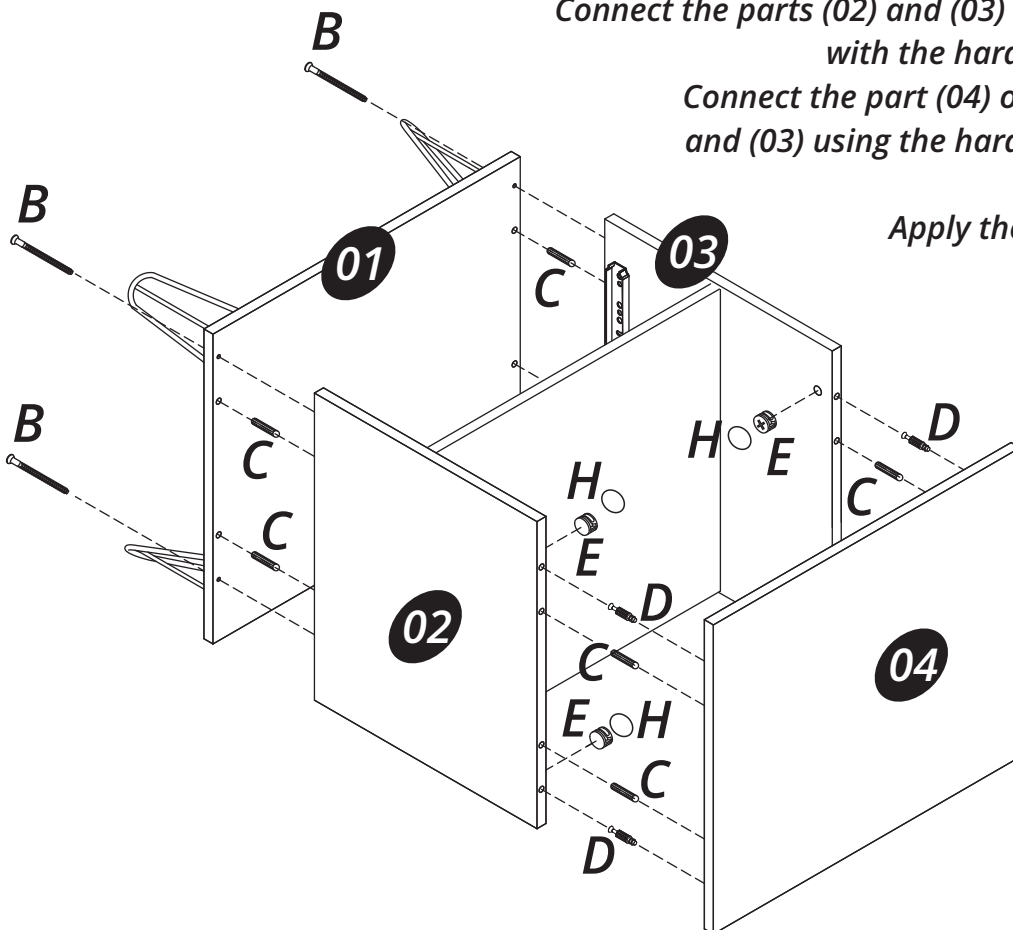
Step 02

Connect the part (13) onto the parts (02) and (03) with the hardware (D + E).
Apply the hardware (H) on the hardware (E).



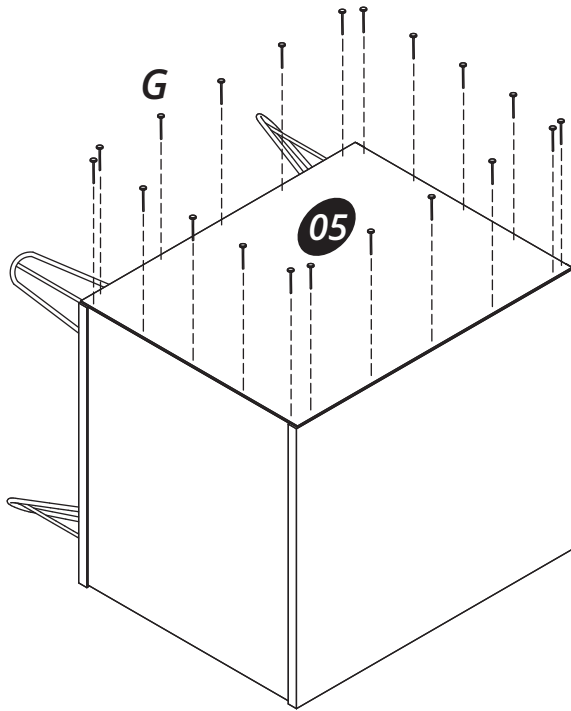
Step 03

Connect the parts (02) and (03) onto the part (01) with the hardware (C) and (B).
Connect the part (04) onto the parts (02) and (03) using the hardware (C) and the hardware (D + E).
Apply the hardware (H) on the hardware (E).



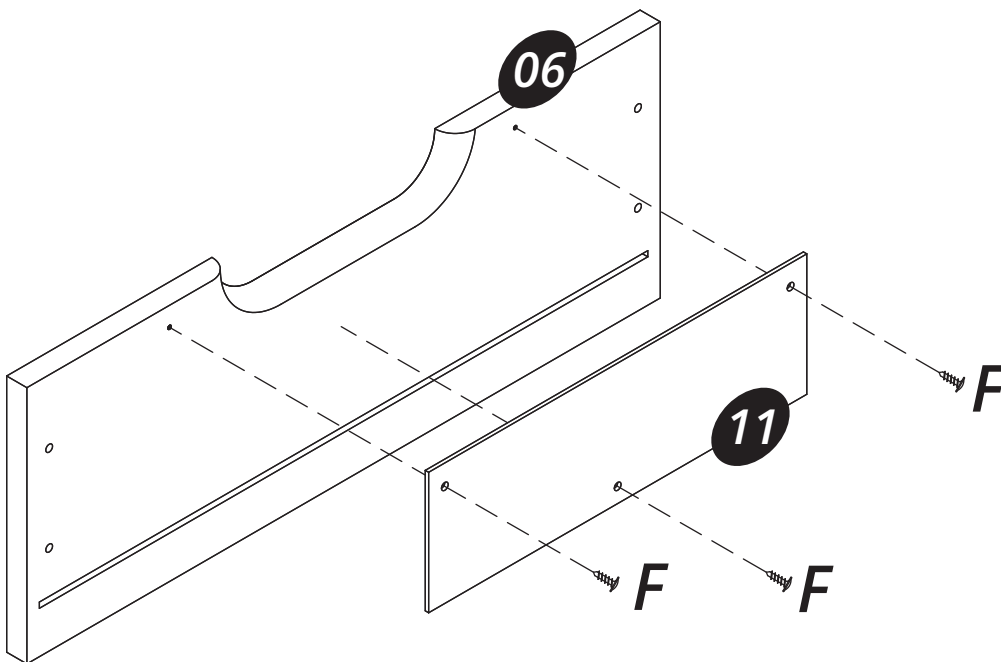
Step 04

*Connect the part (05)
with the hardware (G).*



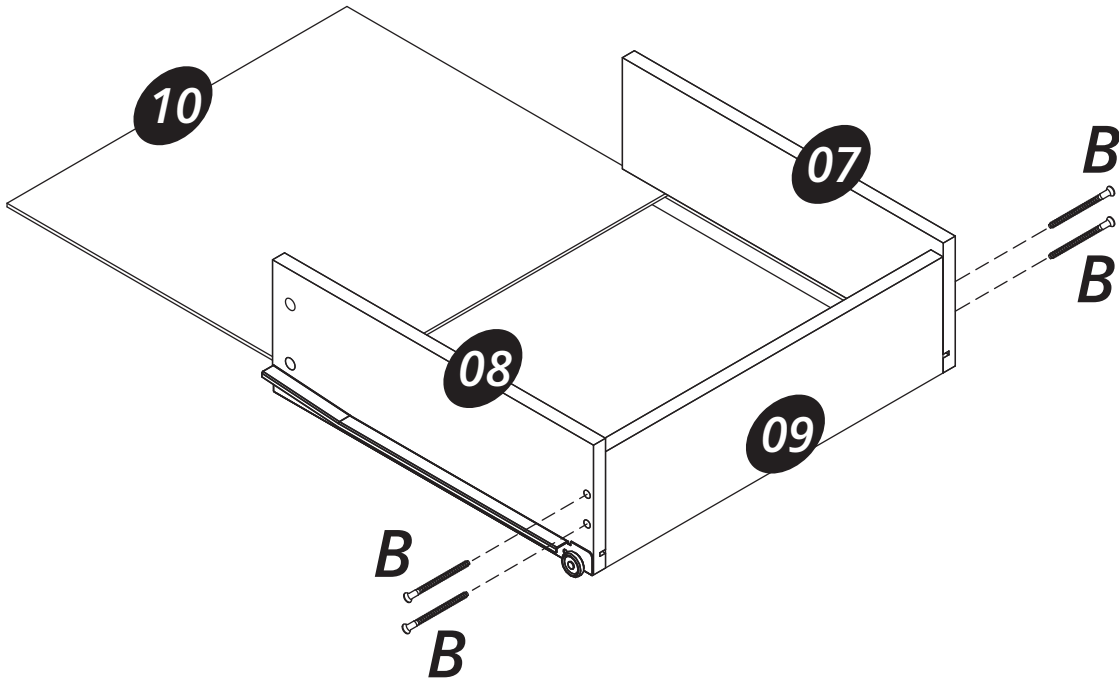
Step 05

*Connect the part (11) onto
the part (06) with
the hardware (F).*



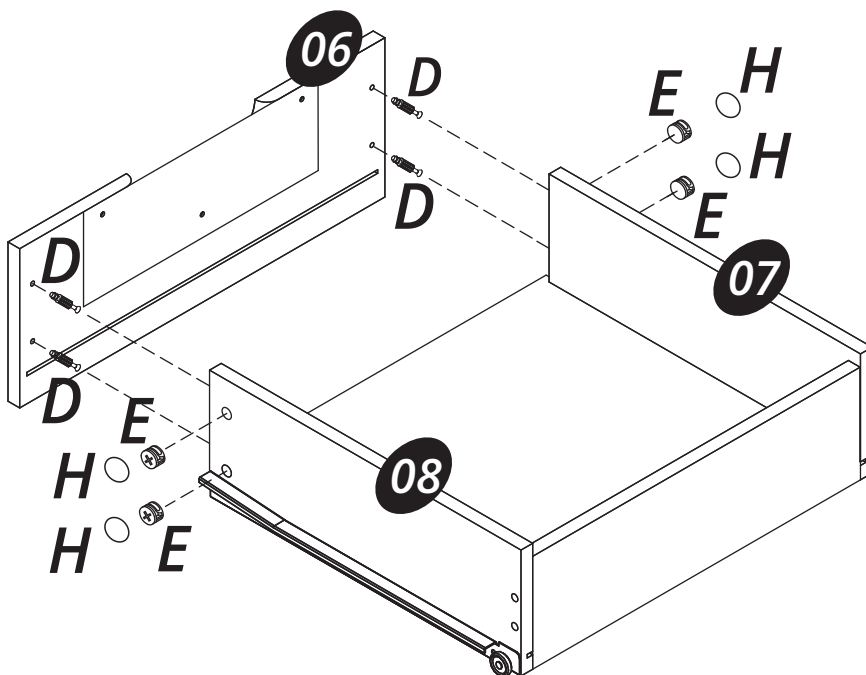
Step 06

Connect the parts (07), (08) and (09) with the hardware (B).
Apply the part (10) in the groove of the parts (07) and (08) until the groove of the part (09).



Step 07

Connect the parts (07), (08) and (06) using the hardware (D + E).
Apply the hardware (H) on the hardware (E).



Step 08

Install the drawer fitting it into the slides fixed on the side of parts (02) and (03).

