



MANHATTAN  
COMFORT

888-230-2225

*help@manhattancomfort.com*

*319 Ridge Rd. Dayton, NJ 08810, New Jersey - United States*

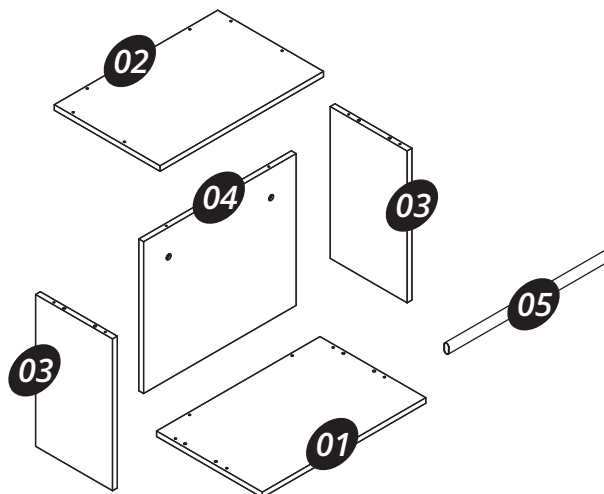


# ***Rockefeller***

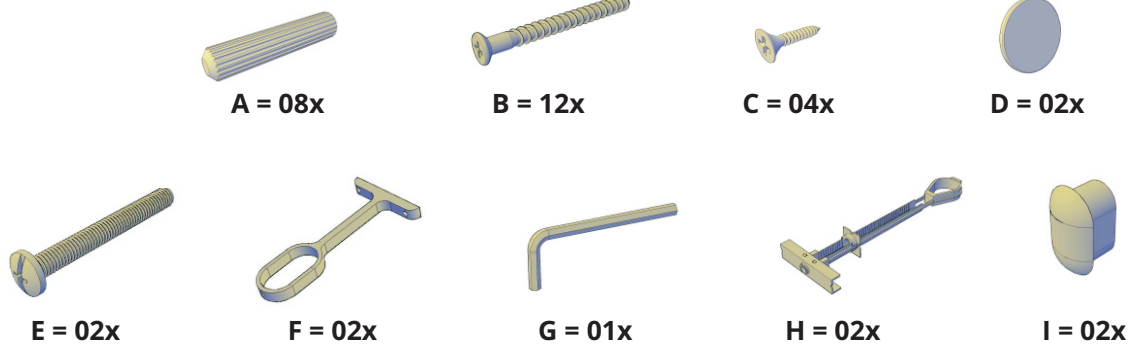
**20.08" Floating Open Hanging Closet**

# Included in the package

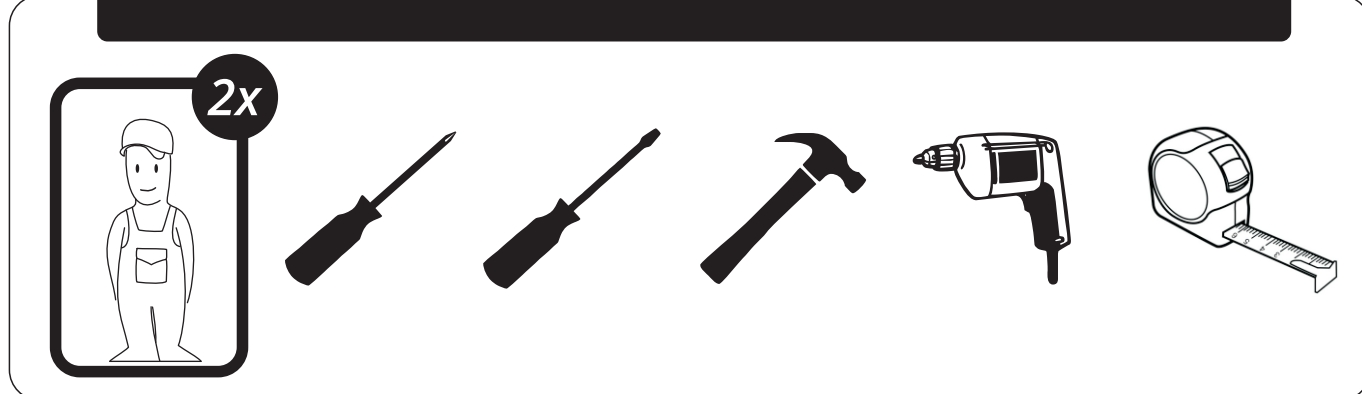
Part	Description	Qty	Box
01	Base	01	01
02	Top	01	01
03	Lateral	02	01
04	Rear Panel	01	01
05	Hanger Bar	01	01

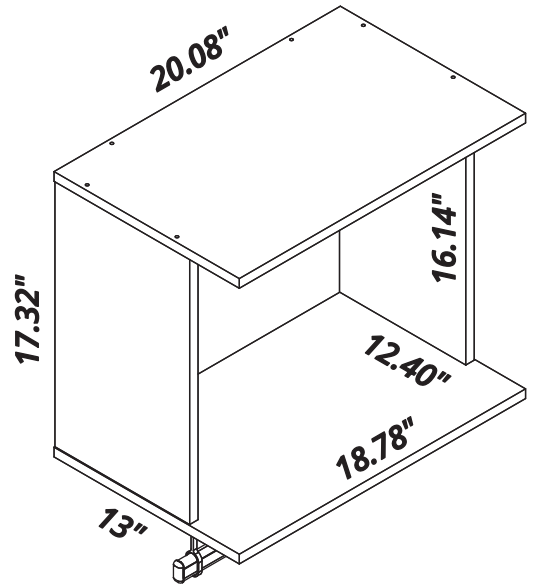
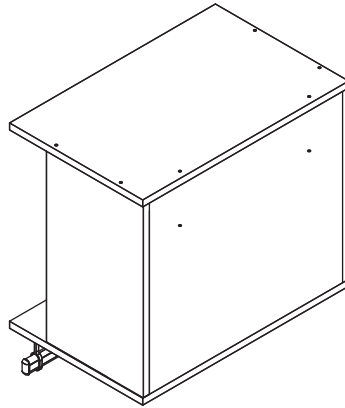
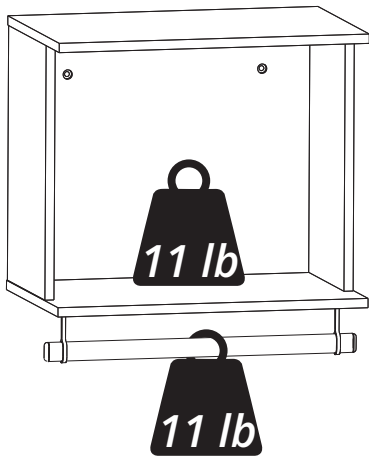


## Hardware

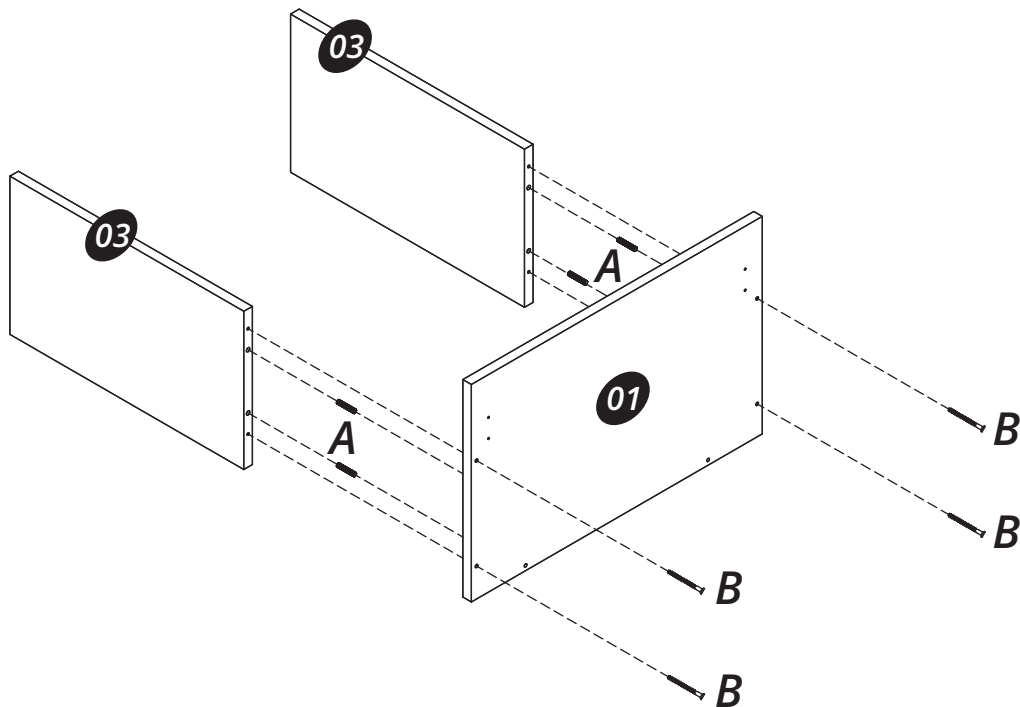


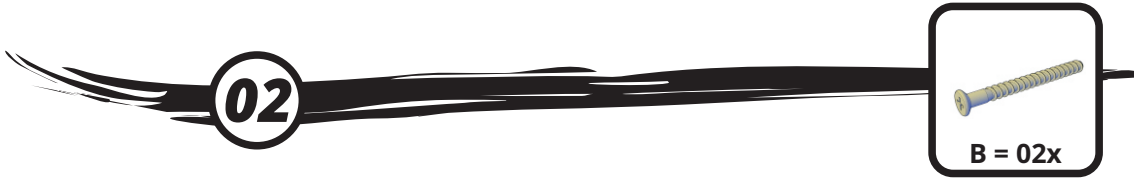
### Tools needed (not included)



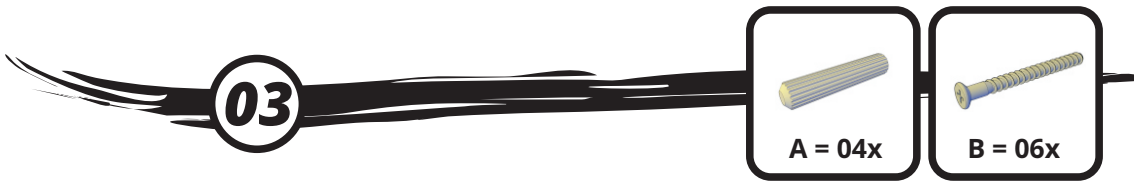
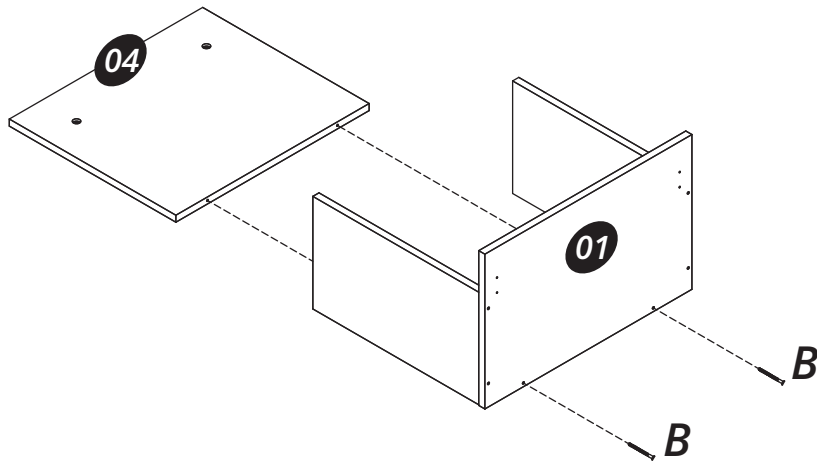


Connect the part (01) onto the parts (03) with the hardware (A + B).

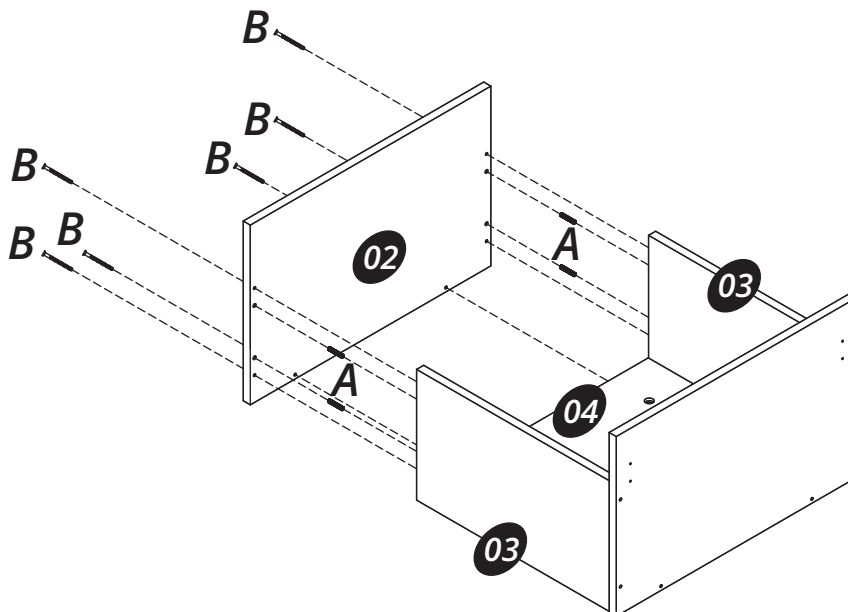


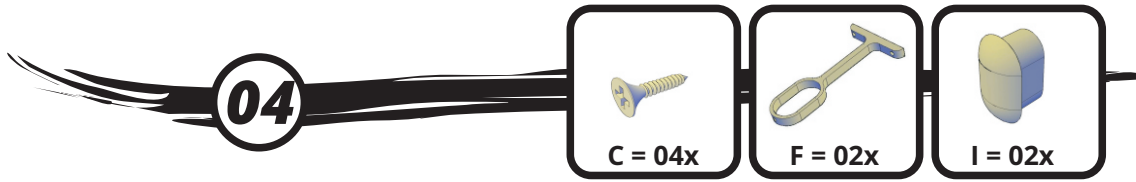


Observe the correct position of the part (04) before connect onto the part (01) with the hardware (B).



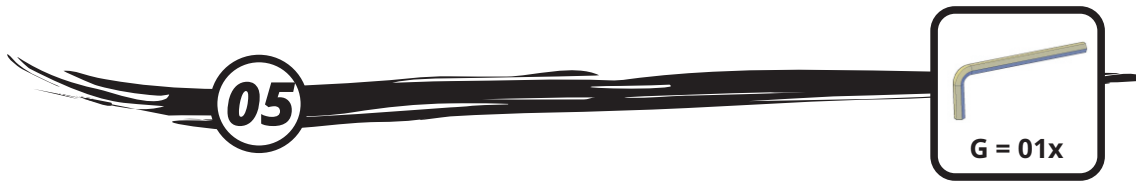
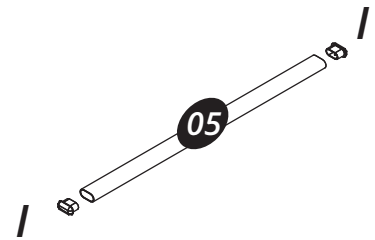
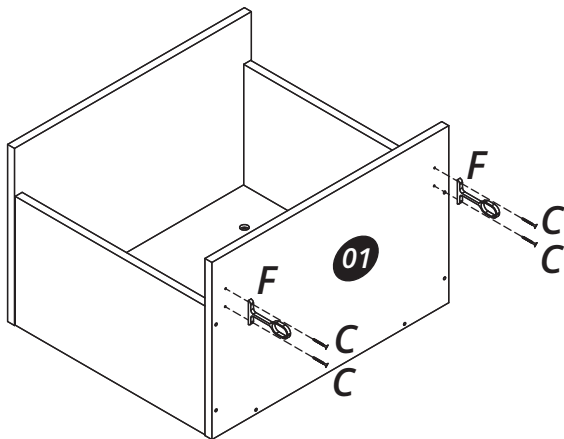
Connect the part (02) onto the parts (03, 04) with the hardware (B) and the hardware (A).



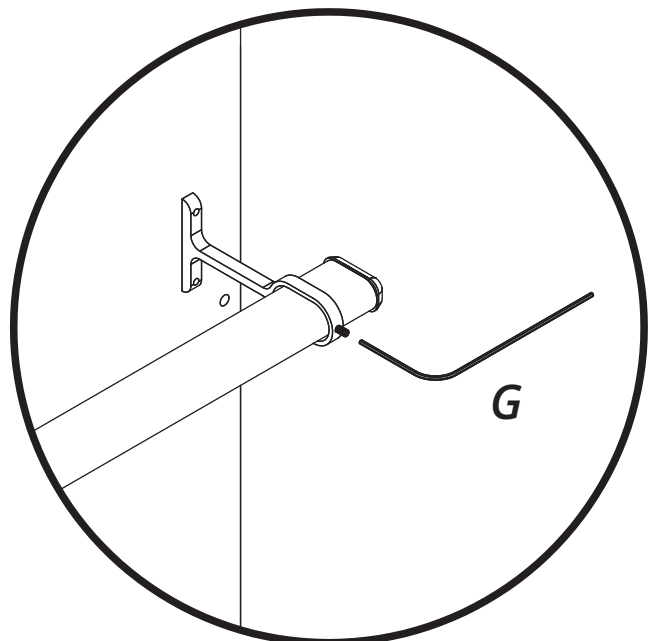
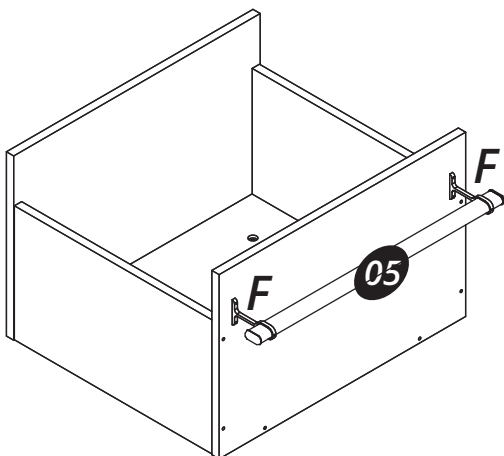


Connect the hardware (F) onto the part (01) using the hardware (C).

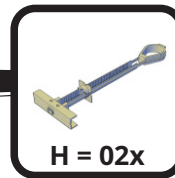
Connect the hardware (I) into the part (05).



Pass the part (05) through the hardware (F) and use the hardware (G) to tight the screw as shown on detail.

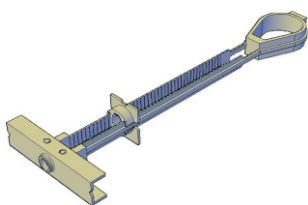
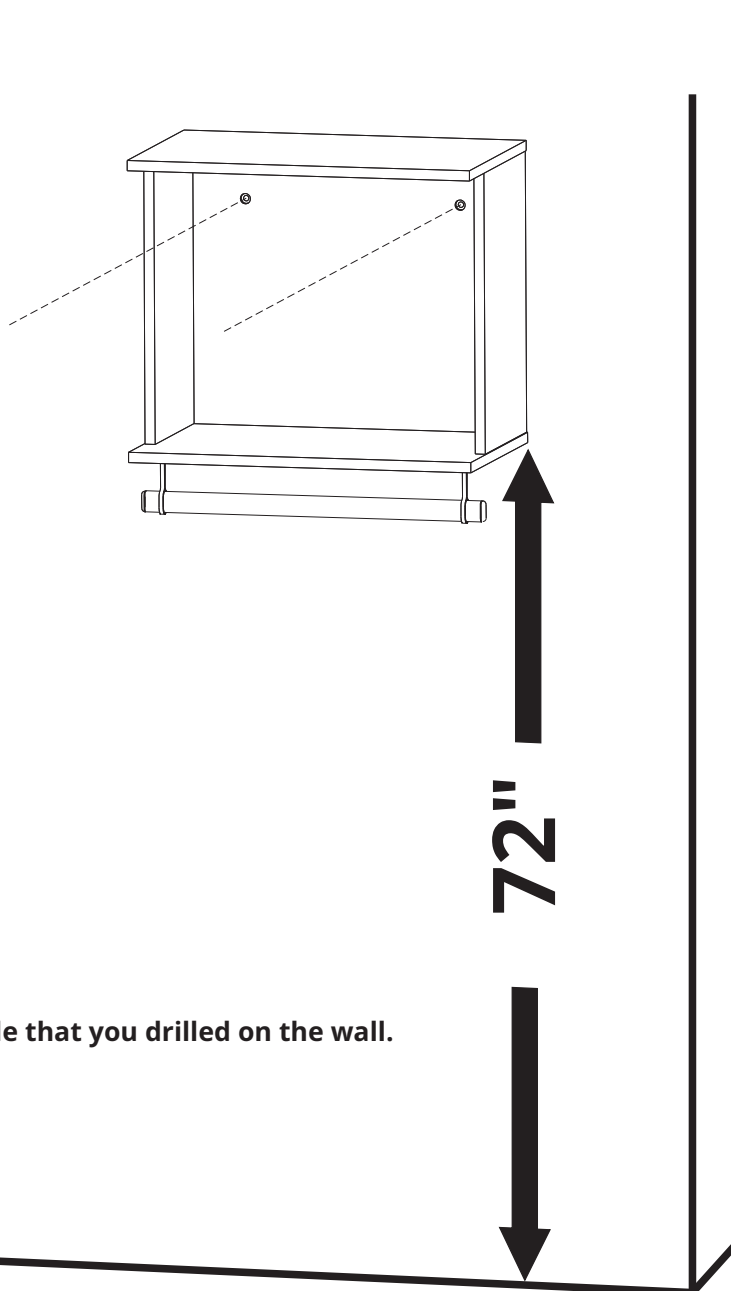


06

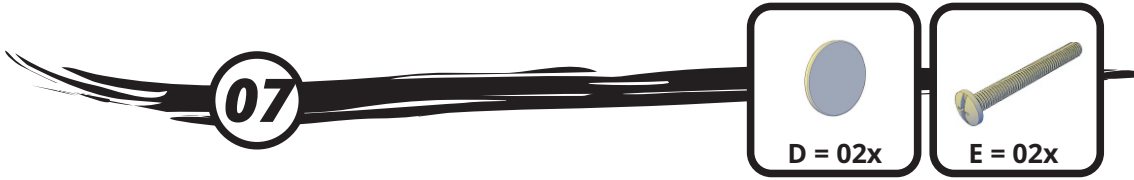


Observe the indicated height of the Floating Open Hanging Closet using the floor as reference (around of 72").

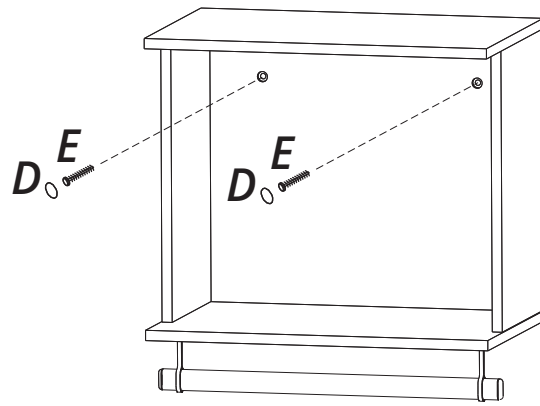
You will need a pencil to mark where you should drill the wall with a 1 /2" drill bit to put in the hardware (H).



You will need apply the hardware (H) into the hole that you drilled on the wall.



Connect the Floating Open Hanging Closet on the wall with the hardware (E + D)



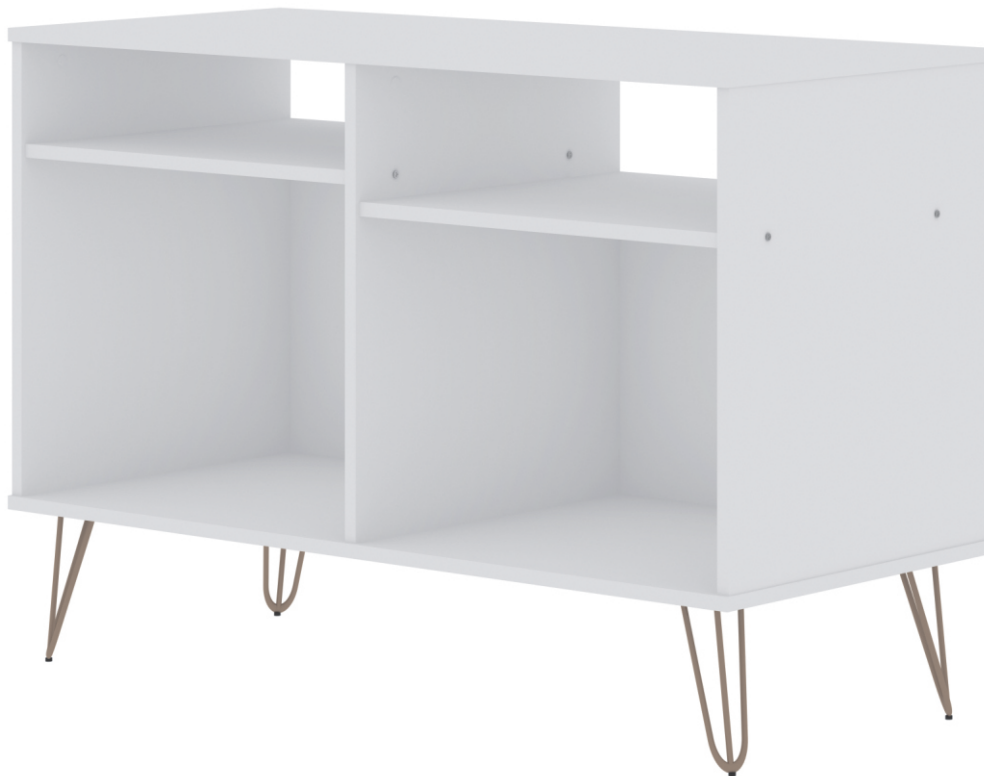


MANHATTAN  
COMFORT

888-230-2225

*help@manhattancomfort.com*

*319 RIDGE RD, DAYTON, NJ08810, NEW JERSEY - UNITED STATES*



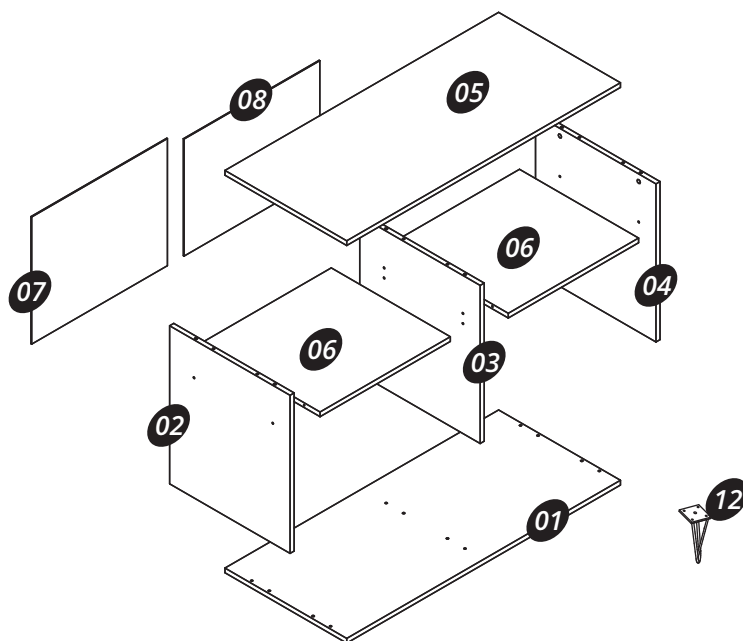
***Rockefeller***

**39.37" TV Stand**

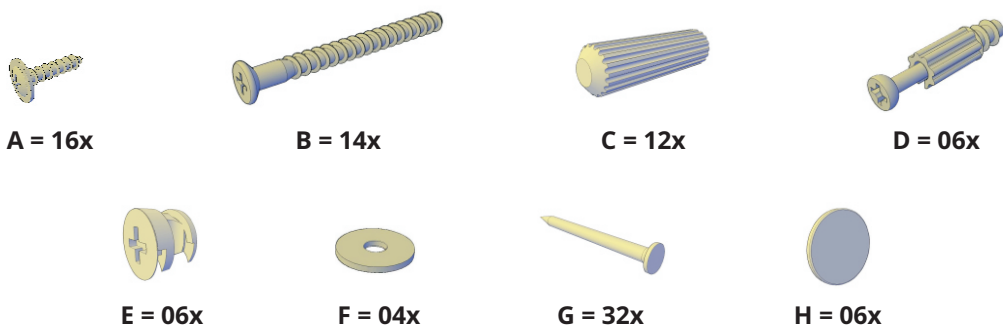


# Included in the package

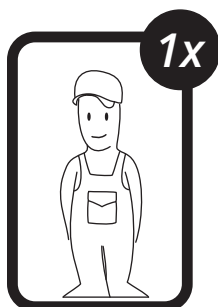
Part	Description	Qty	Box
01	Base Board	01	01
02	Left Side Panel	01	01
03	Partition Panel	01	01
04	Right Side Panel	01	01
05	Top Panel	01	01
06	Shelf	02	01
07	Bigger Rear Panel	01	01
08	Smaller Rear Panel	01	01
12	Feet	04	01



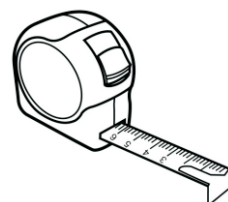
## Hardware

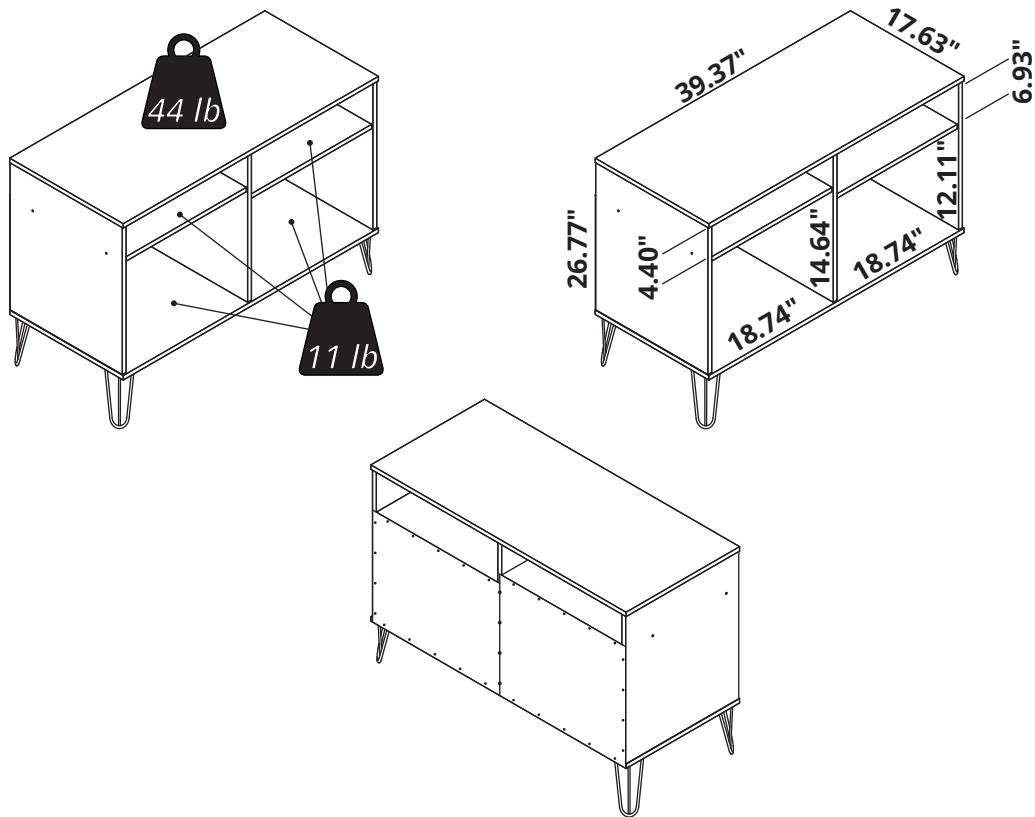


Tools needed (not included)

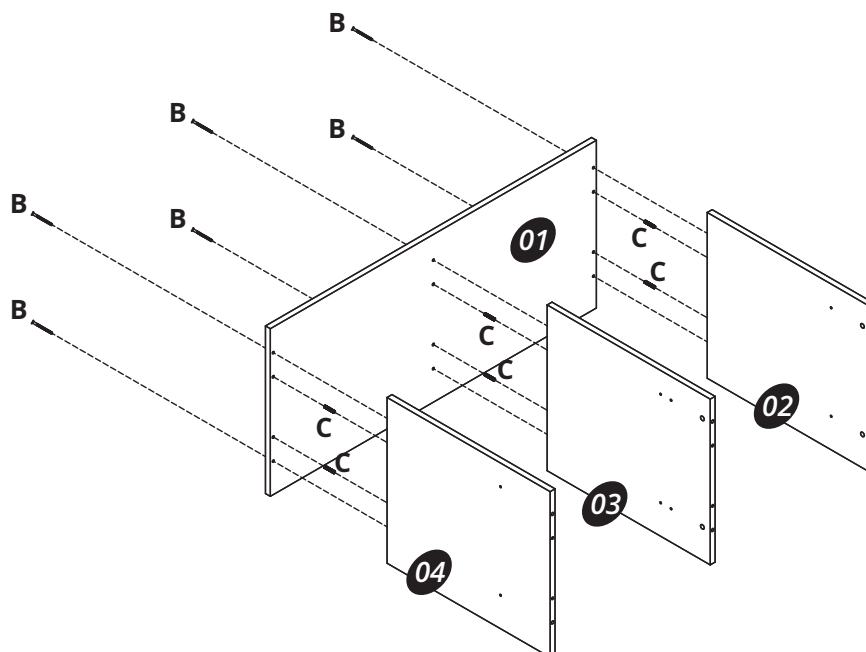


1x





Connect the parts (02, 03, 04) onto the part (01) with the hardware (B+C).

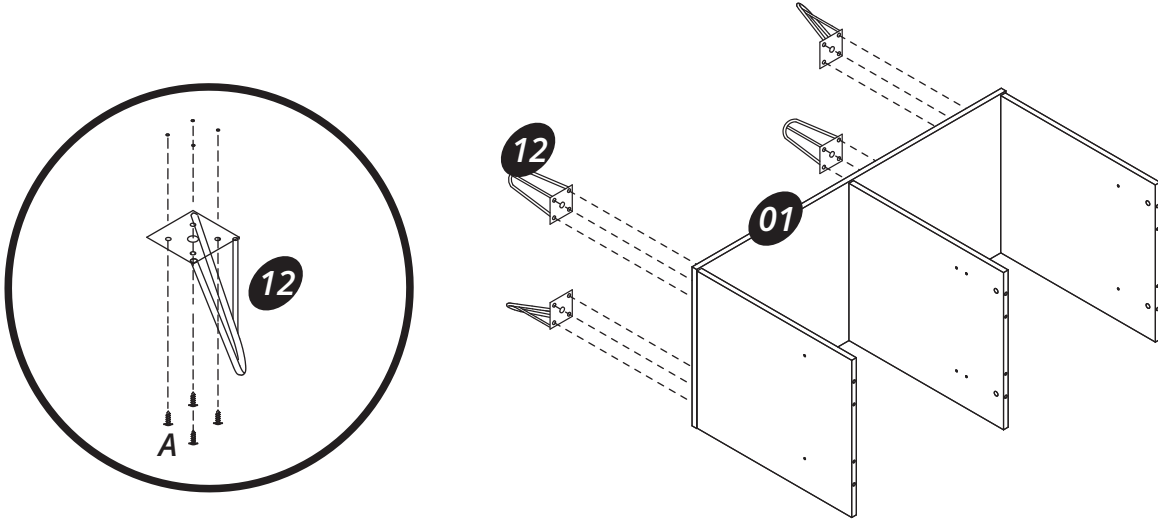


02

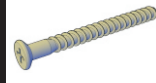


A = 16x

Connect the parts (12) onto the part (01) with the hardware (A).

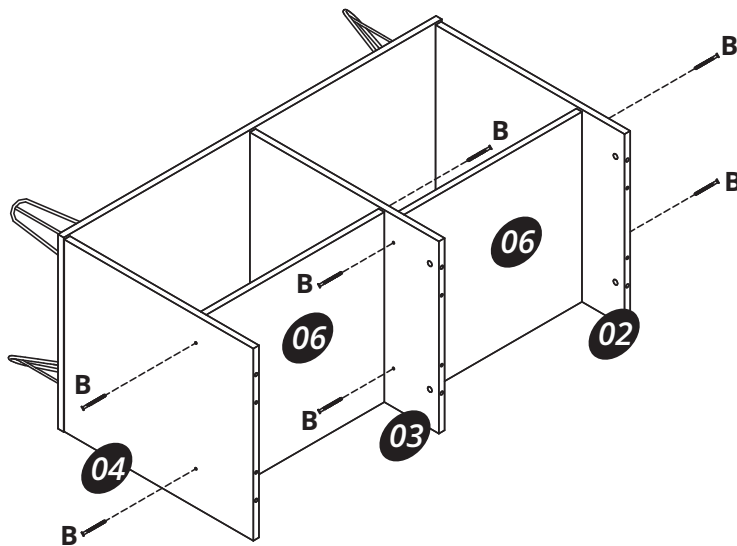


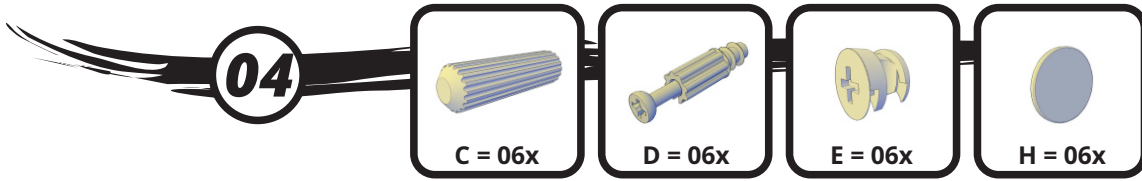
03



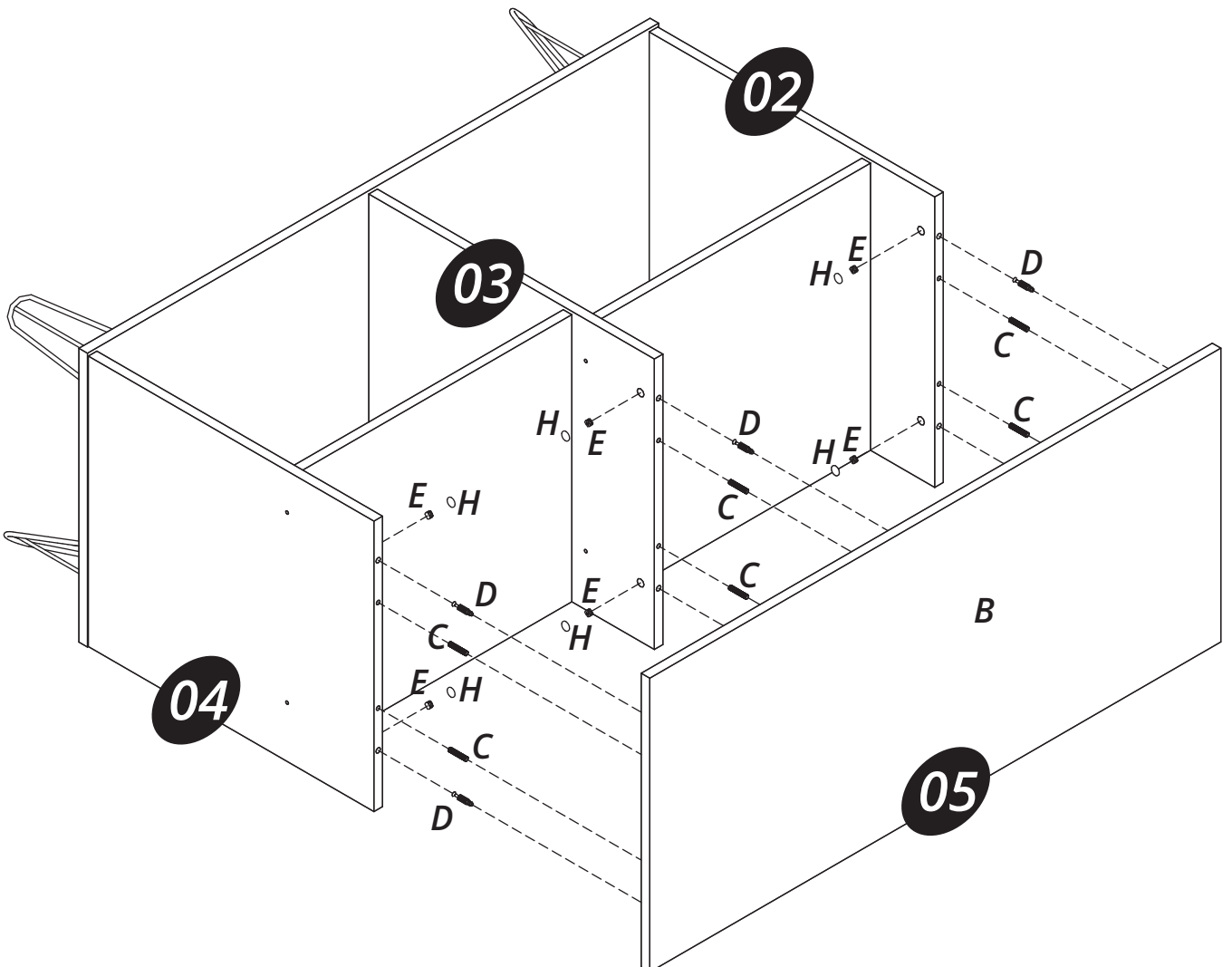
B = 08x

Connect the parts (06) onto the parts (02, 03, 04) with the hardware (B).

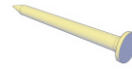




Connect the part (05) onto the parts (02, 03, 04) with the hardware (C + D + E). Apply the hardware (H) onto the hardware (E).

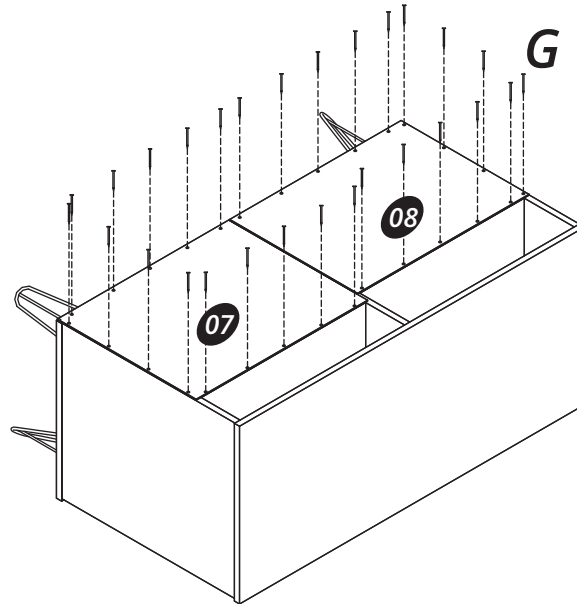


05

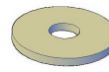


G = 28x

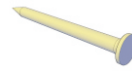
Connect the parts (07, 08) with the hardware (G).



06

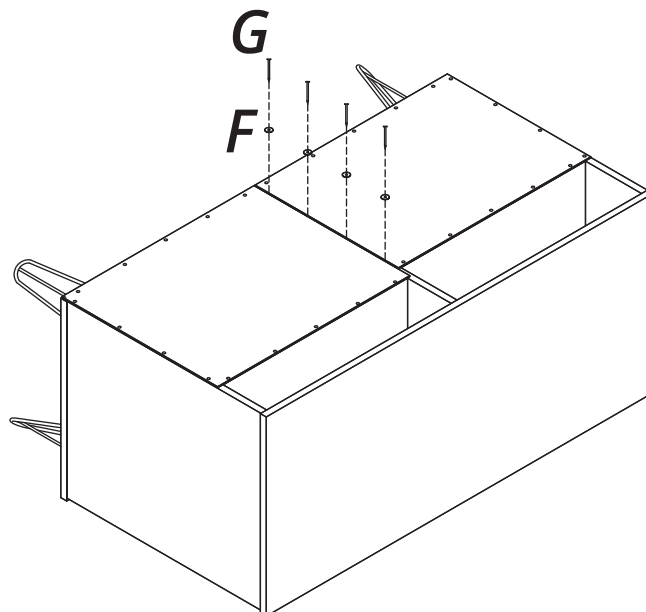


F = 04x



G = 04x

Connect the parts (07, 08) with the hardware (F + G).





# MANHATTAN COMFORT

888-230-2225

*help@manhattancomfort.com*

*319 Ridge Rd. Dayton, NJ 08810, New Jersey - United States*

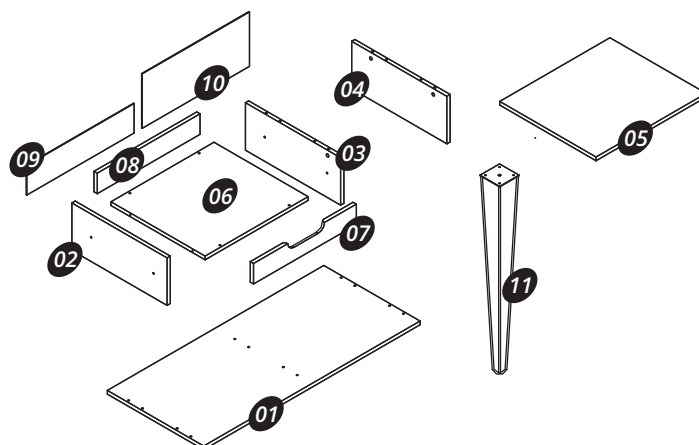


# ***Rockefeller***

**39.37" Entryway / Console**

# Included in the package

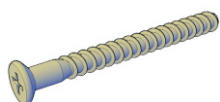
Part	Description	Qty	Box
01	Base	01	01
02	Left Lateral Panel	01	01
03	Partition Panel	01	01
04	Right Lateral Panel	01	01
05	Top Panel	01	01
06	Bottom Panel	01	01
07	Frontal	01	01
08	Rear	01	01
09	Smaller Rear Panel	01	01
10	Bigger Rear Panel	01	01
11	Feet	04	01



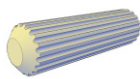
## Hardware



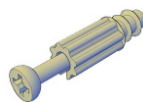
A = 16x



B = 14x



C = 10x



D = 04x



E = 04x



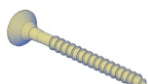
F = 02x



G = 25x



H = 2x



I = 01x



J = 01x



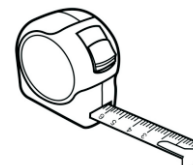
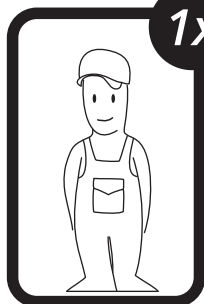
K = 01x

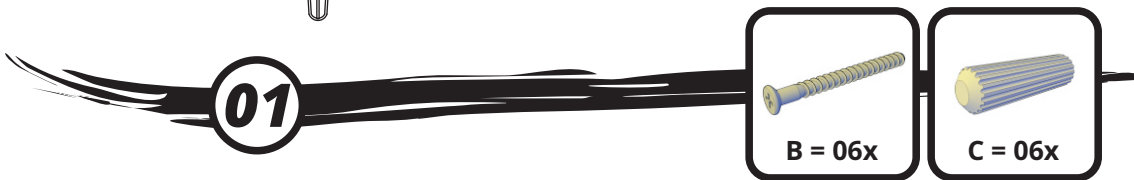
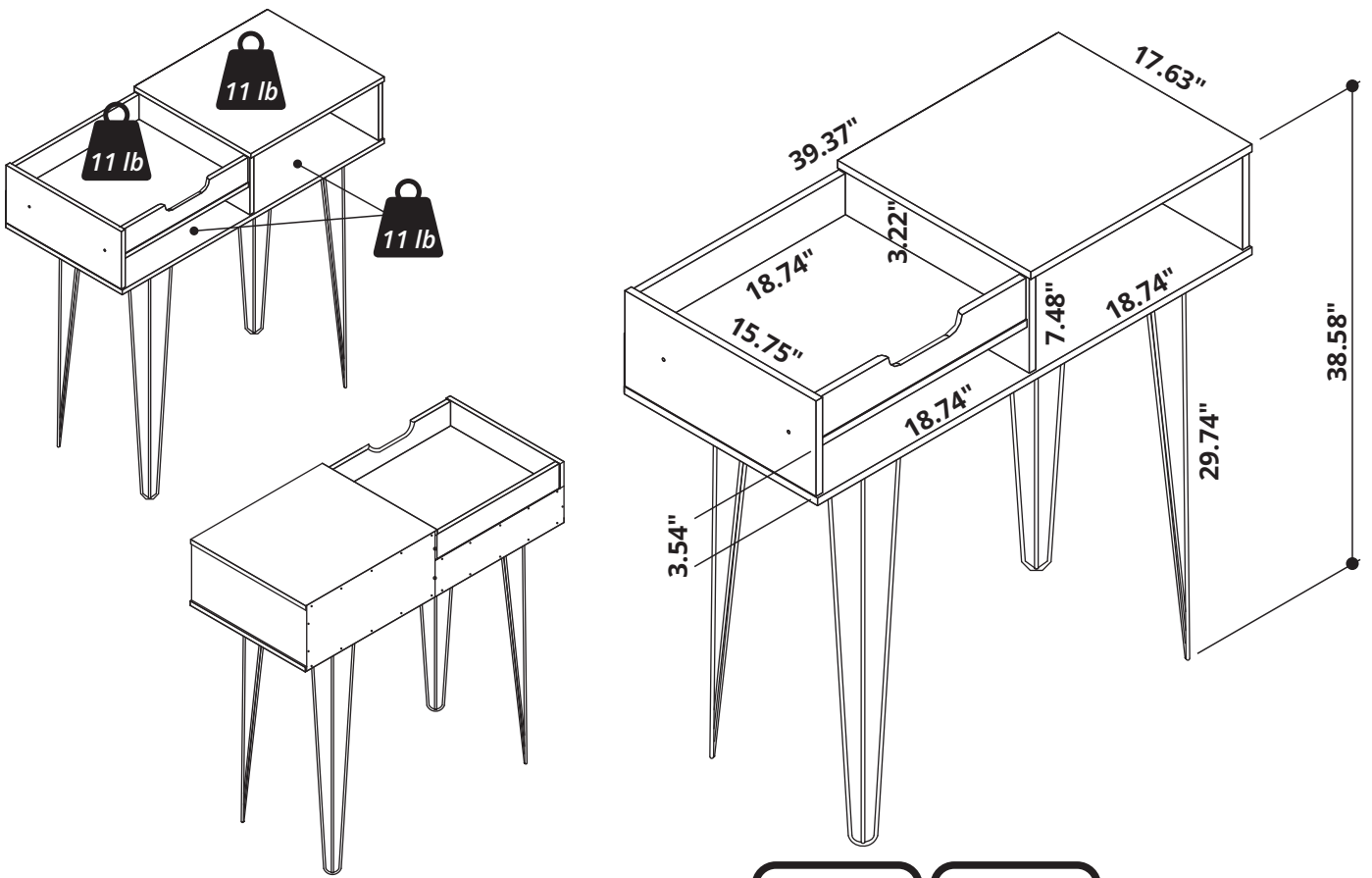


L = 04x

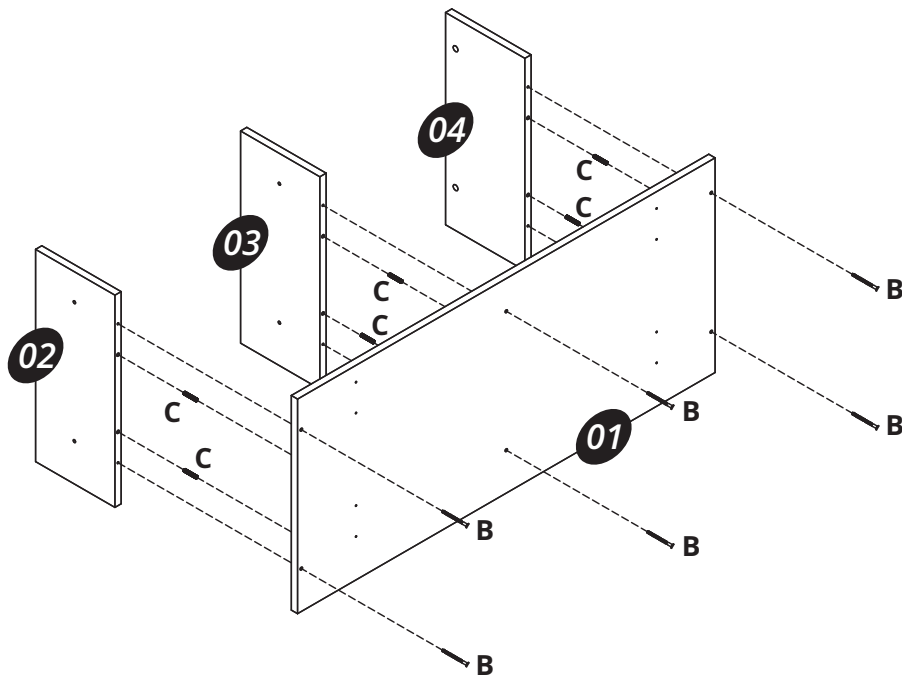
## Tools needed (not included)

1x



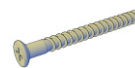


Connect the parts (02, 03, 04) onto the part (01) with the hardware (B + C).



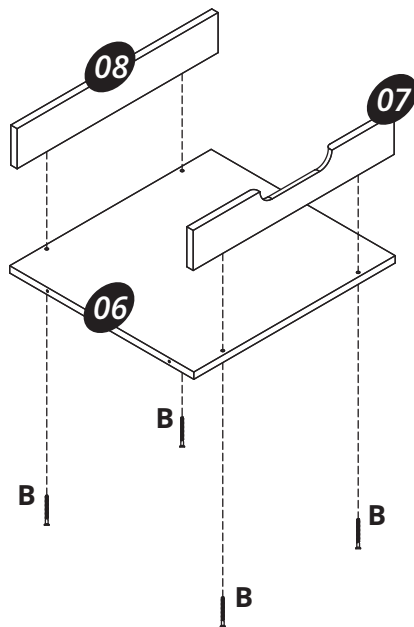


**02**

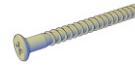


**B = 04x**

Connect the parts (07, 08) onto the part (06) using the hardware (B).

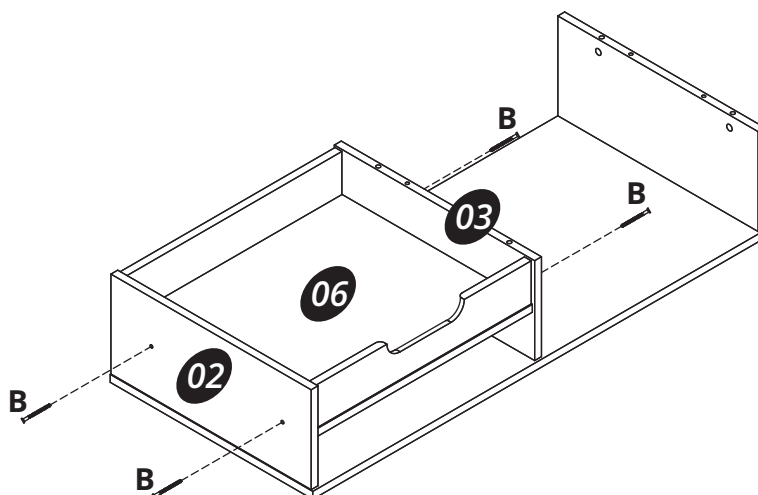


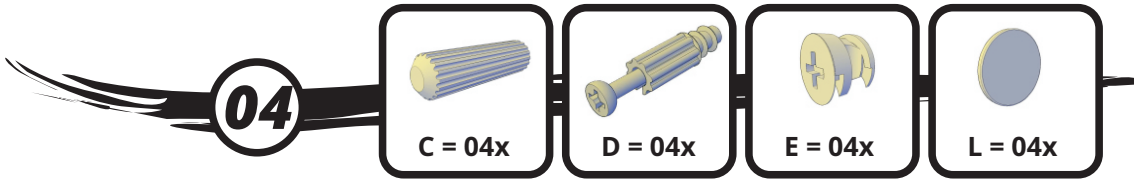
**03**



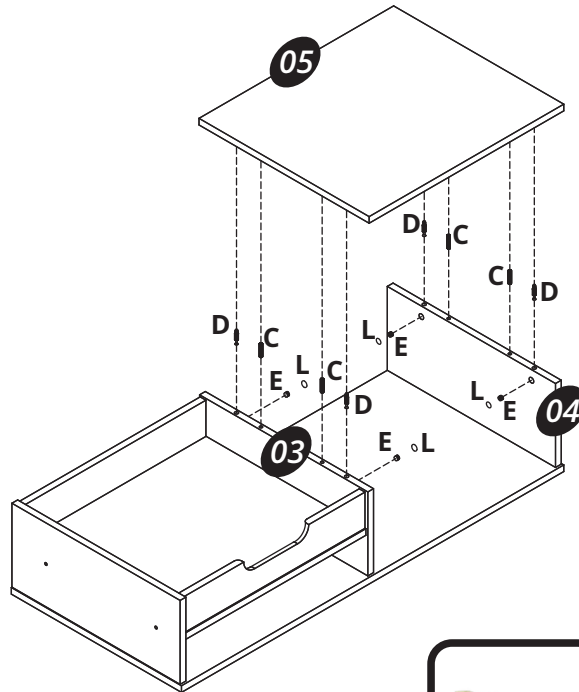
**B = 04x**

Connect the part (06) onto the parts (02, 03) using the hardware (B).

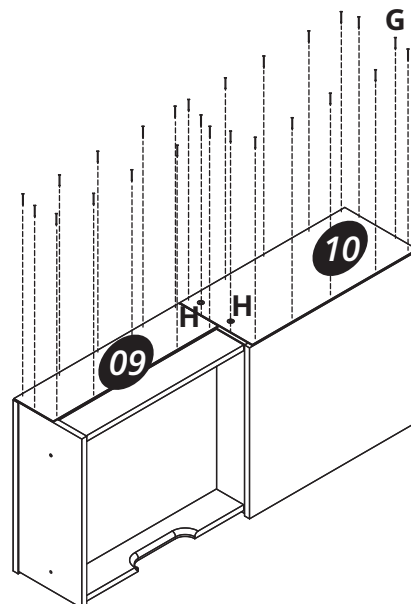
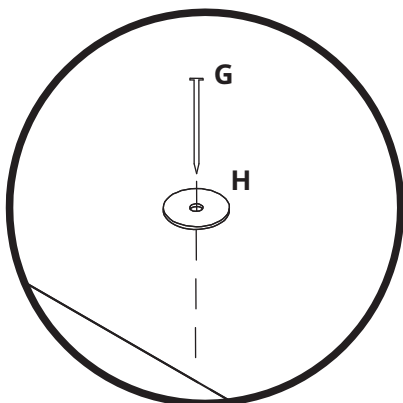




Connect the part (05) onto the parts (03, 04) with the hardware (C + D + E). Apply the hardware (L) on the hardware (E).



Connect the parts (09, 10) using the hardware (G + H).

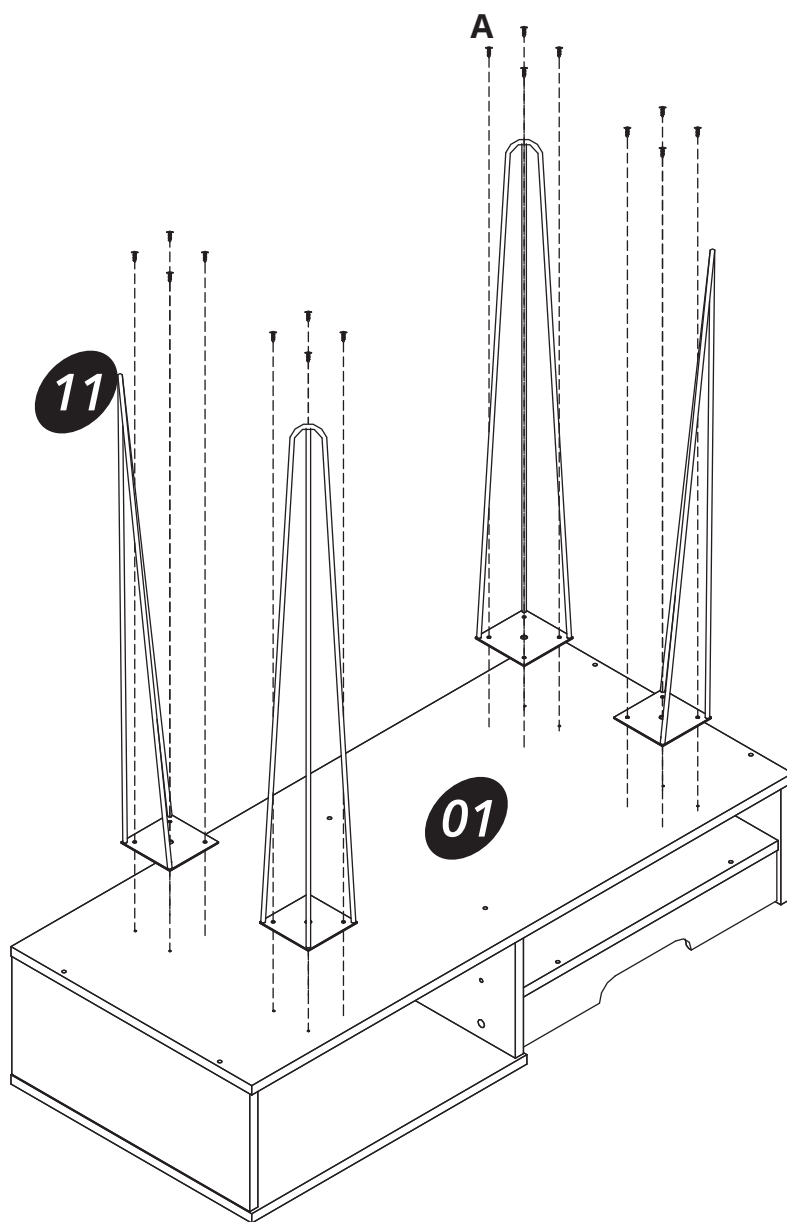


06



A = 16x

Connect the parts (11) onto the part (01) with the hardware (A).



## Attention! Tipover System

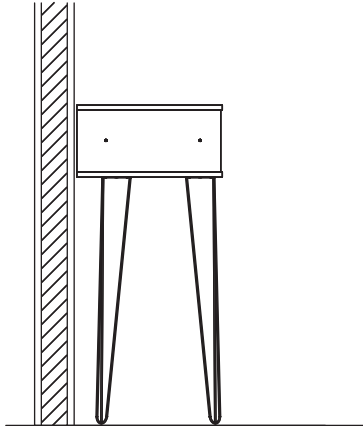
F = 02x

I = 01x

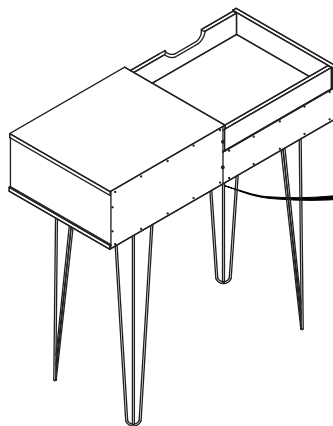
J = 01x

K = 01x

wall

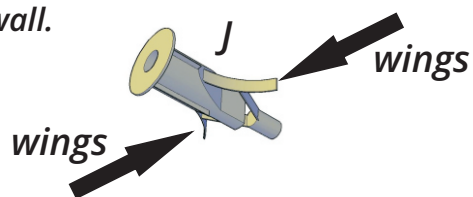


First, approach as close as possible to the wall

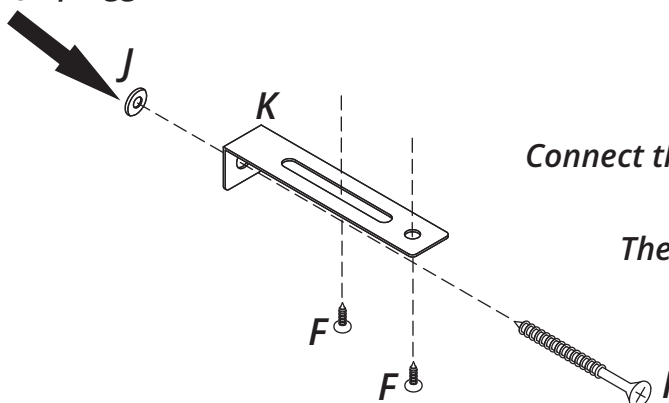


Then, apply the hardware (K) below the part (01) as shown in the figure above. You will need a pencil to mark where you should drill the wall with a 3/8" drill bit to put in the hardware (J).

\*press the hardware wings (J) to put in the hole that you drilled in the wall.



Hardware (J), plugged in the wall.



Connect the hardware (K) onto the wall with the hardware (I).

Then fasten with the hardware (F) the hardware (K) on the part (01)



MANHATTAN  
COMFORT

888-230-2225

*help@manhattancomfort.com*

*319 Ridge Rd. Dayton, NJ 08810, New Jersey - United States*

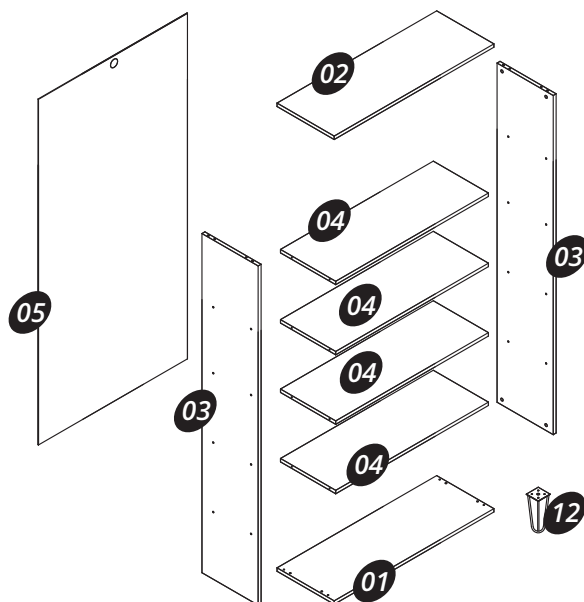


***Rockefeller***

**3.0 Bookcase**

# Included in the package

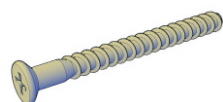
Part	Description	Qty	Box
01	Base	01	01
02	Top	01	01
03	Lateral	02	01
04	Shelf	04	01
05	Rear Panel	01	01
12	Feet	04	01



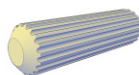
## Hardware



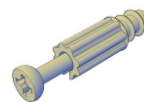
A = 16x



B = 16x



C = 08x



D = 08x



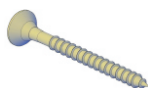
E = 08x



F = 02x



G = 45x



H = 01x



I = 01x



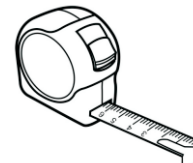
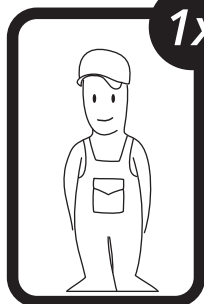
J = 01x

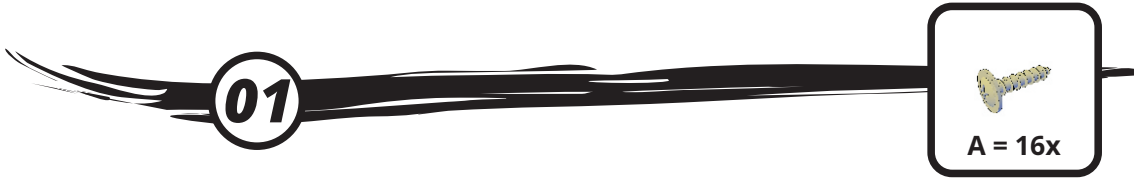
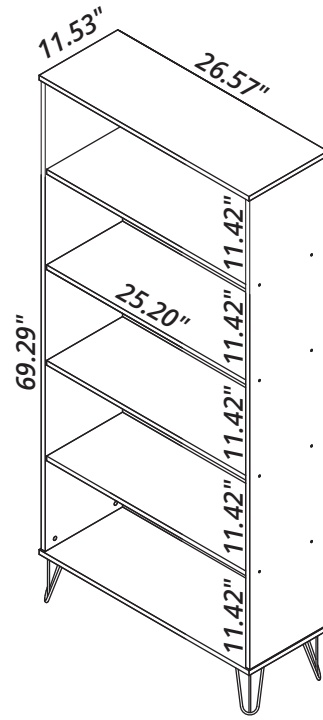
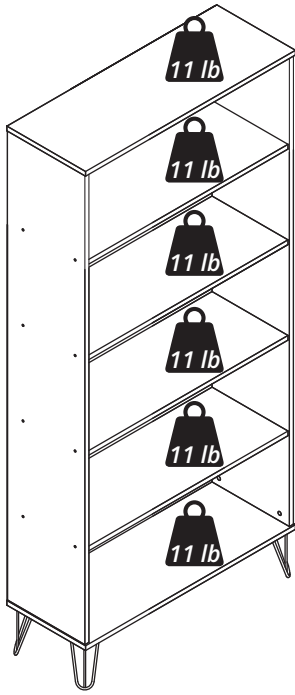


K = 08x

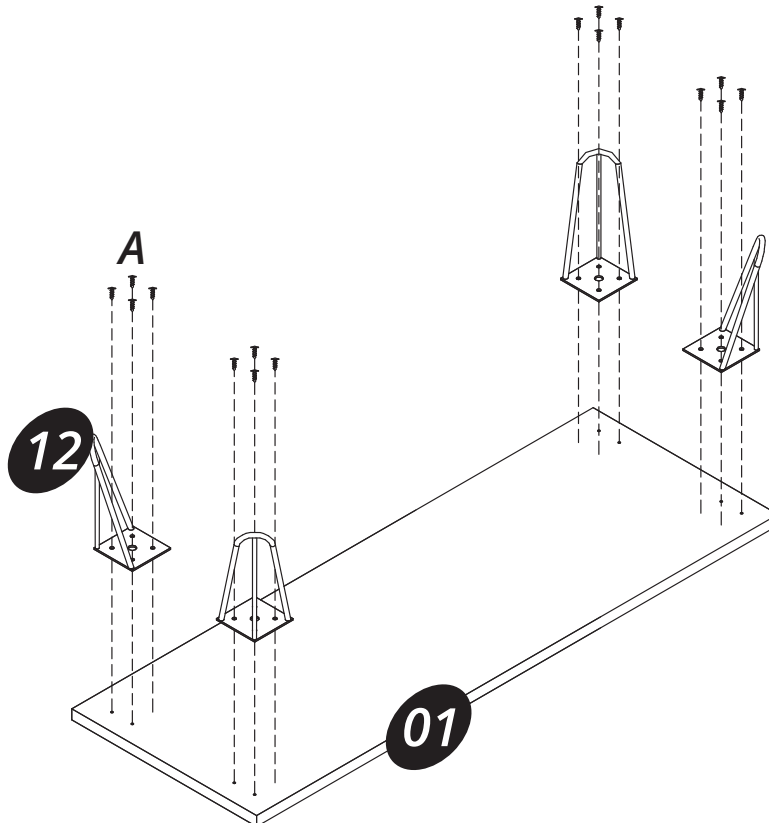
### Tools needed (not included)

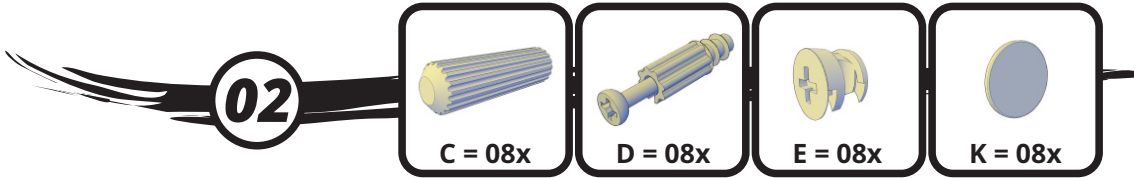
1x



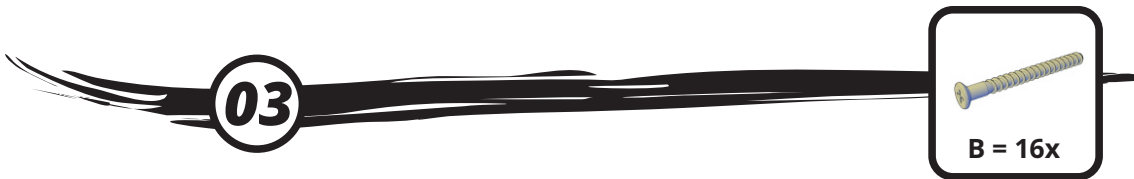
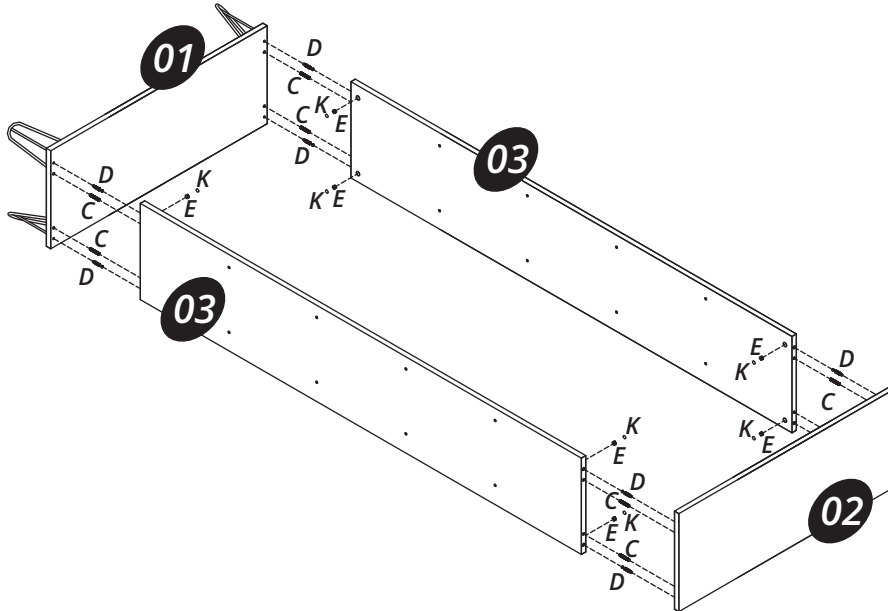


Connect the part (12) onto the part (01) with the hardware (A).

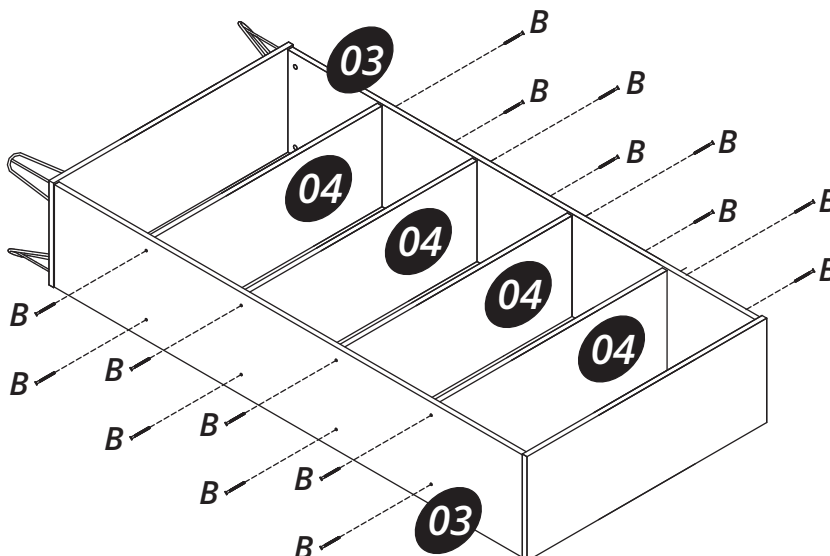




Connect the parts (03) onto the parts (01 and 02) using the hardware (C + D + E). Apply the hardware (K) on the hardware (E).



Connect the parts (04) onto the parts (03) with the hardware (B).



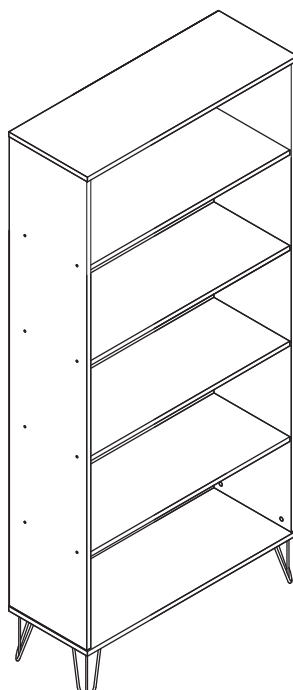
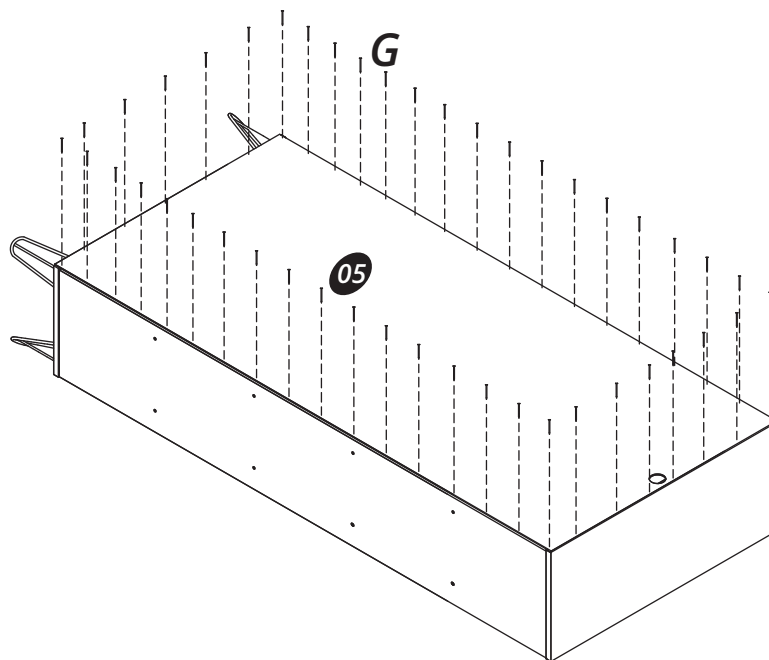


04

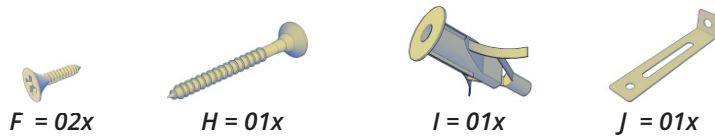


G = 45x

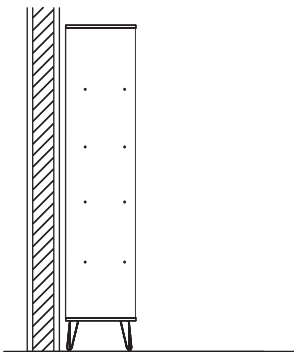
Connect the part (05) using the hardware (G).



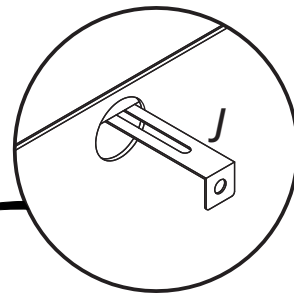
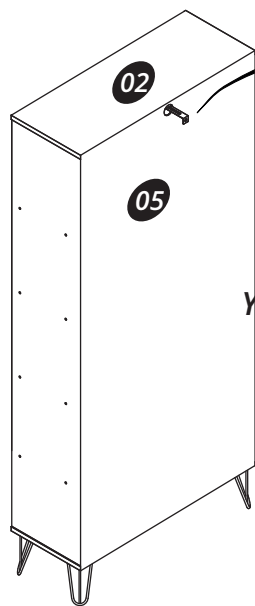
## Attention! Tipover System



wall

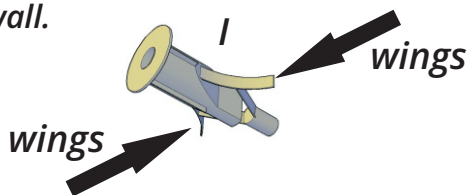


First, approach as close as possible to the wall

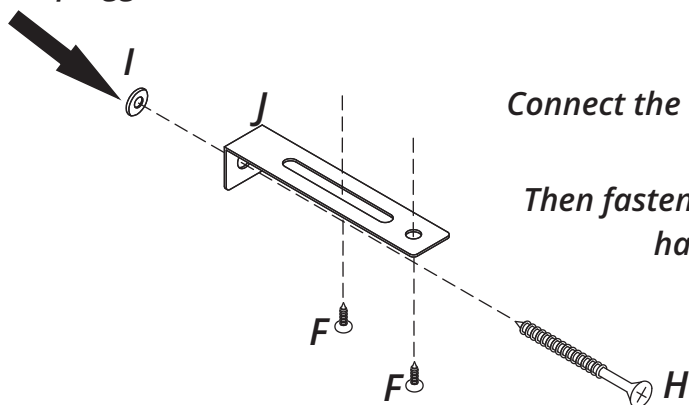


Then, pass the hardware (J) through the hole of the part (05) as shown in the figure above. You will need a pencil to mark where you should drill the wall with a 3/8" drill bit to put in the hardware (I).

\*press the hardware wings (I) to put in the hole that you drilled in the wall.



Hardware (I), plugged in the wall.



Connect the hardware (J) onto the wall with the hardware (H). Then fasten with the hardware (F) the hardware (J) on the part (02)