

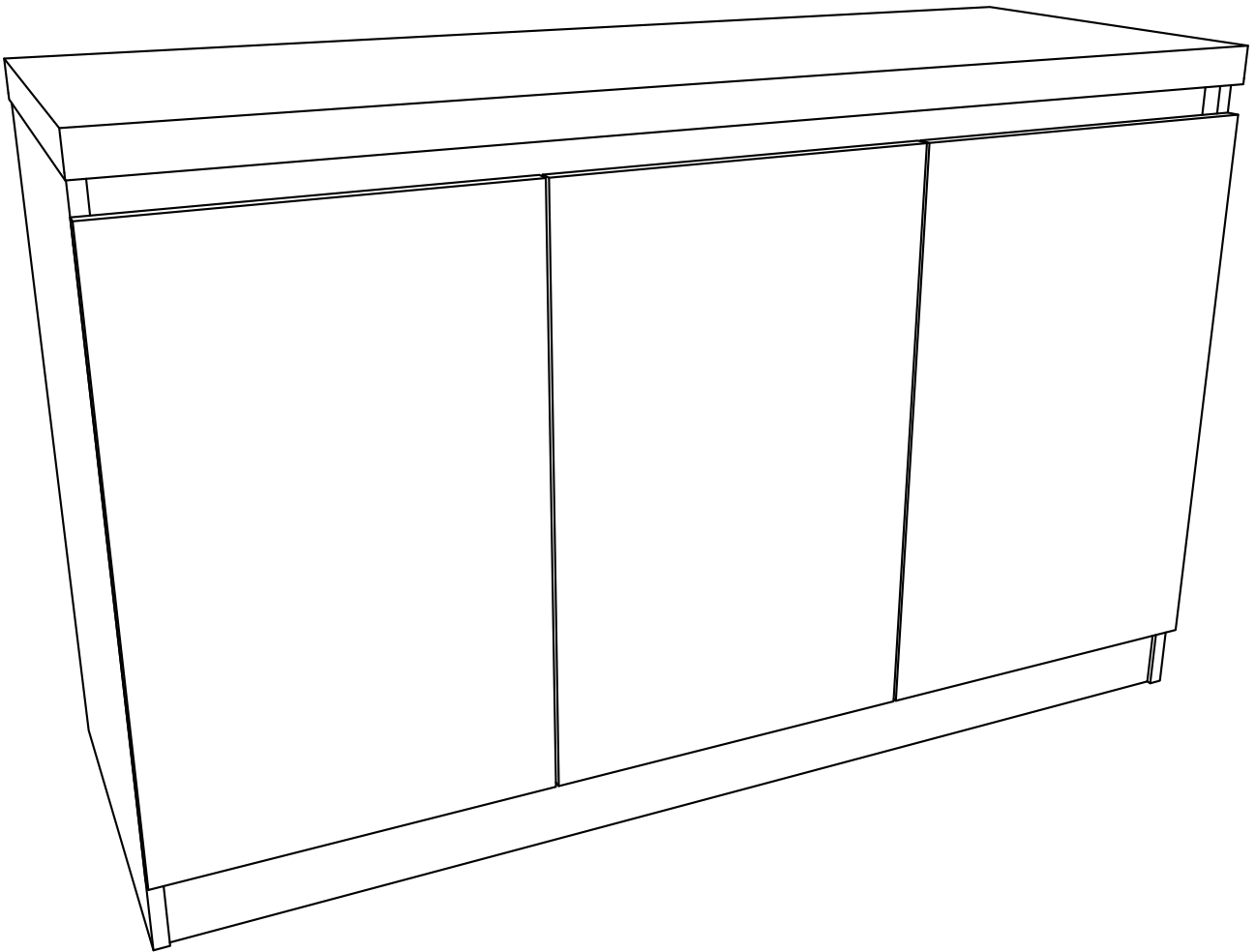


MANHATTAN
COMFORT

ASSEMBLY INSTRUCTIONS

INSTRUCCIONES DE MONTAJE

NOTICE DE MONTAGE



COD: 1010300

REV. 01 - 02/04/20

COD. 0599-14x



A

COD. 0494-14x



B

COD. 2088-2x



C

COD. 7519-24x



D

COD. 1533-32x



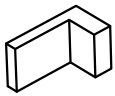
E

COD. 1669-8x



F

COD. 5681-2x

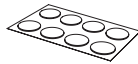


G

COD. 0357-53x



H



I

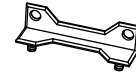
COD. 1668-28x



J

STICKER-6x
ADHESIVO-6x
AUTOCOLLANT-6x

COD. 3518-3x



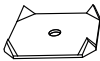
K

COD. 0136-8x



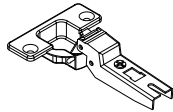
L

COD. 0342-13x



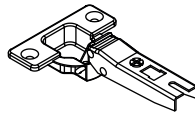
M

COD. 2510-2x



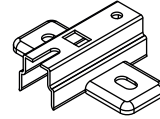
N

COD. 2511-4x



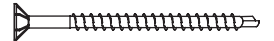
O

COD. 4462-6x



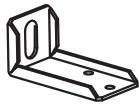
P

COD. 4762-4x



Q

COD. 3934-2x



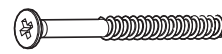
R

COD. 3557-6x

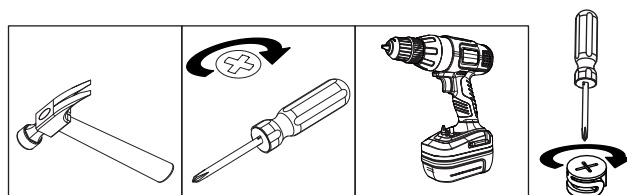


S

COD. 6244-2x

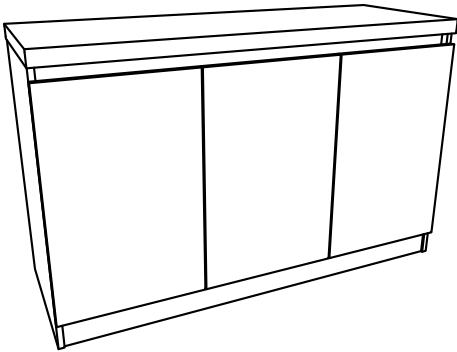


T

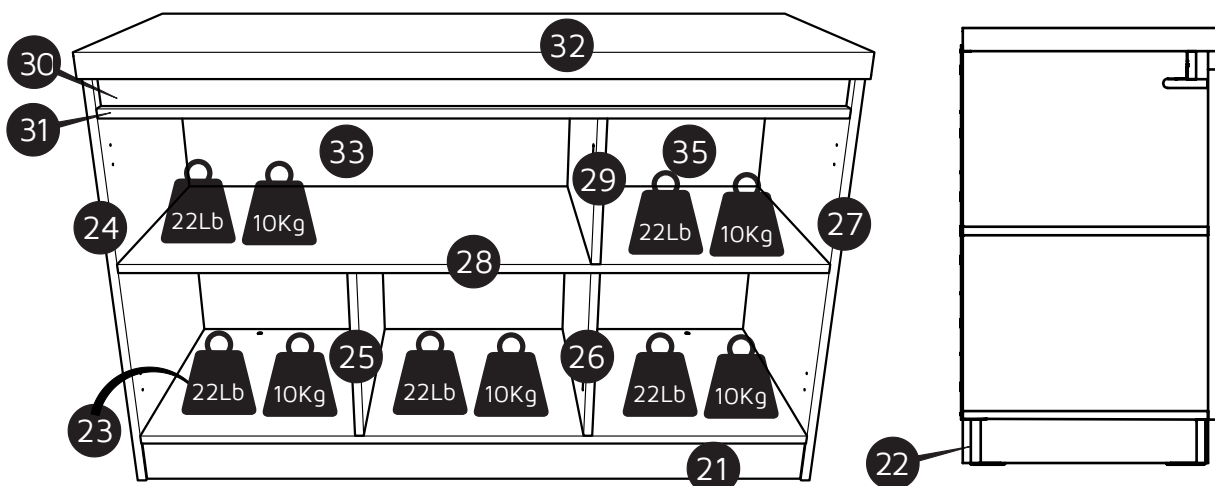
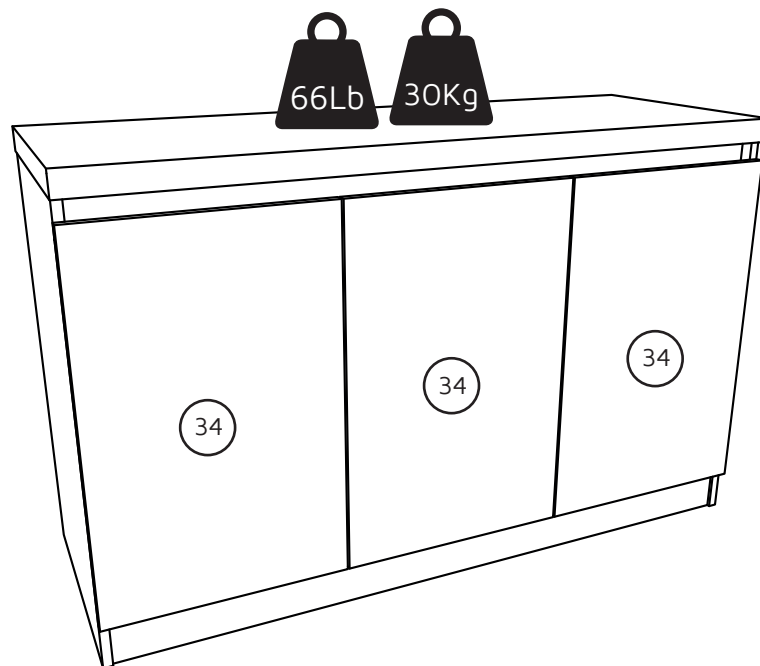


DESCRIPTION / DESCRIPCIÓN / DESCRIPTION







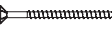
W:46.81 inches H:29.84 inches D: 17.48 inches
 L:1189mm A:758mm P:444mm
 L:1189mm H:758mm P:444mm

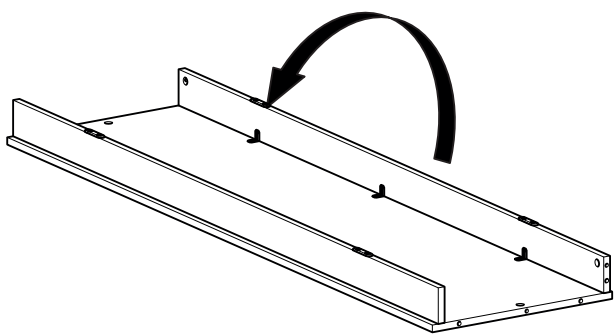
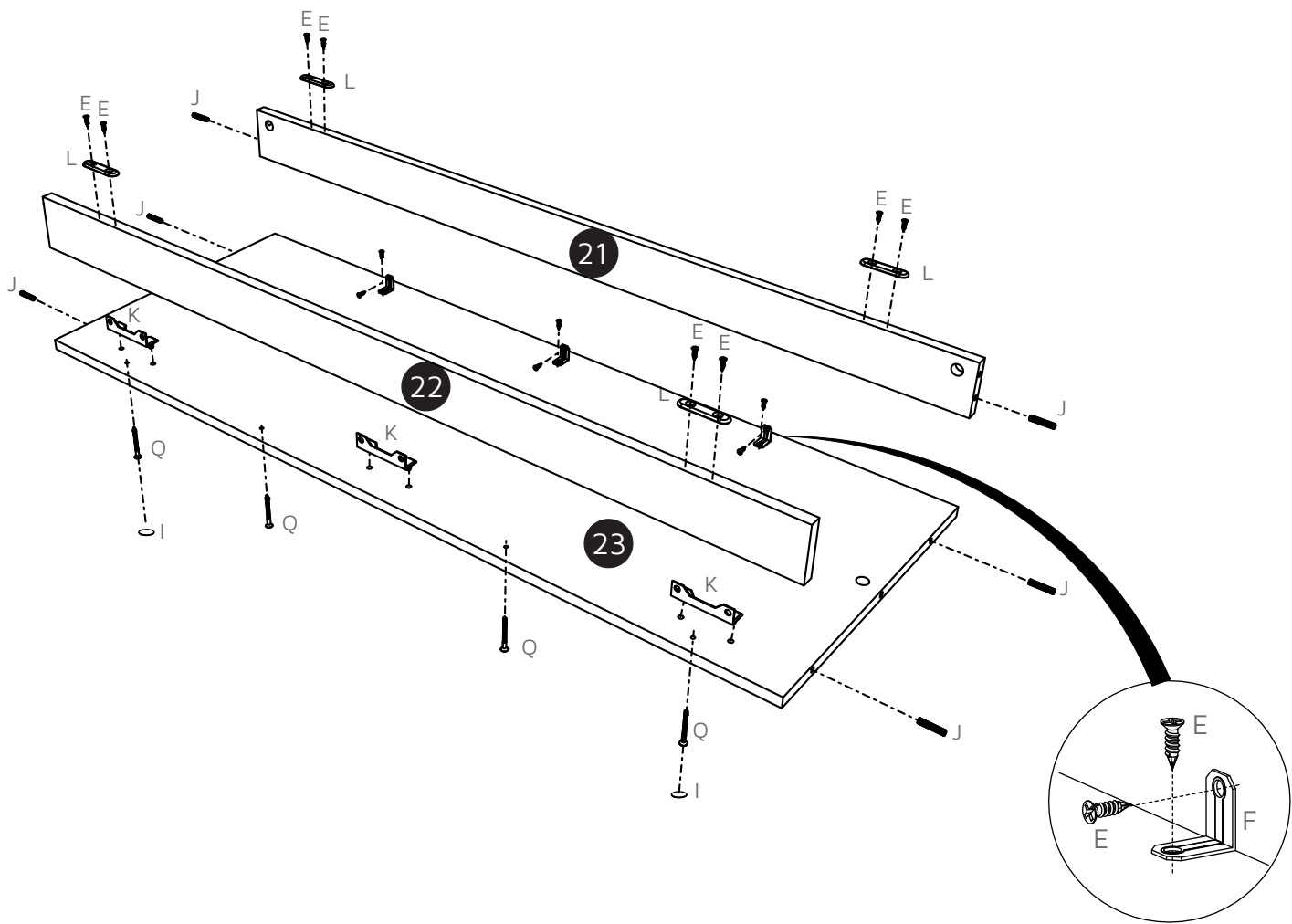


CÓD:1010300					
PART	QUANTITY	DESCRIPTION	DESCRIPTION	DESCRIPCIÓN	BOX CAJA BOÎTE
21	01	FRONT LOWER BATTEN	SOPORTE FRONTAL	PLINTHE AVANT	01
22	01	BACKSIDELOWER BATTEN	SOPORTE TRASERO	PLINTHE ARRIÈRE	01
23	01	BASE	BASE	BASE	01
24	01	LEFT SIDE	LATERAL IZQUIERDA	CÔTÉ GAUCHE	01
25	01	BACKPLATE	DIVISOR INFERIOR	DIVISEUR INFÉRIEUR	01
26	01	DIVIDER	DIVISOR	DIVISEUR	01
27	01	RIGHT SIDE	LATERAL DERECHA	CÔTÉ DROIT	01
28	01	LARGE SHELF	SHELF	ÉTAGÈRE	01
29	01	UP DIVIDER	DIVISOR SUPERIOR	DIVISEUR USINÉ	01
30	01	FRONT	FRONTAL	AVANT	01
31	01	FRONT BOARD SUPPORT	COLUMNA	SUPPORT	01
32	01	TOP BOARD	CUBIERA	PLATEAU	01
33	02	BACKPLATE	FONDO	FOND	01
34	03	DOOR	PUERTA	PORTE	01
35	01	BACKPLATE	FONDO	FOND	01









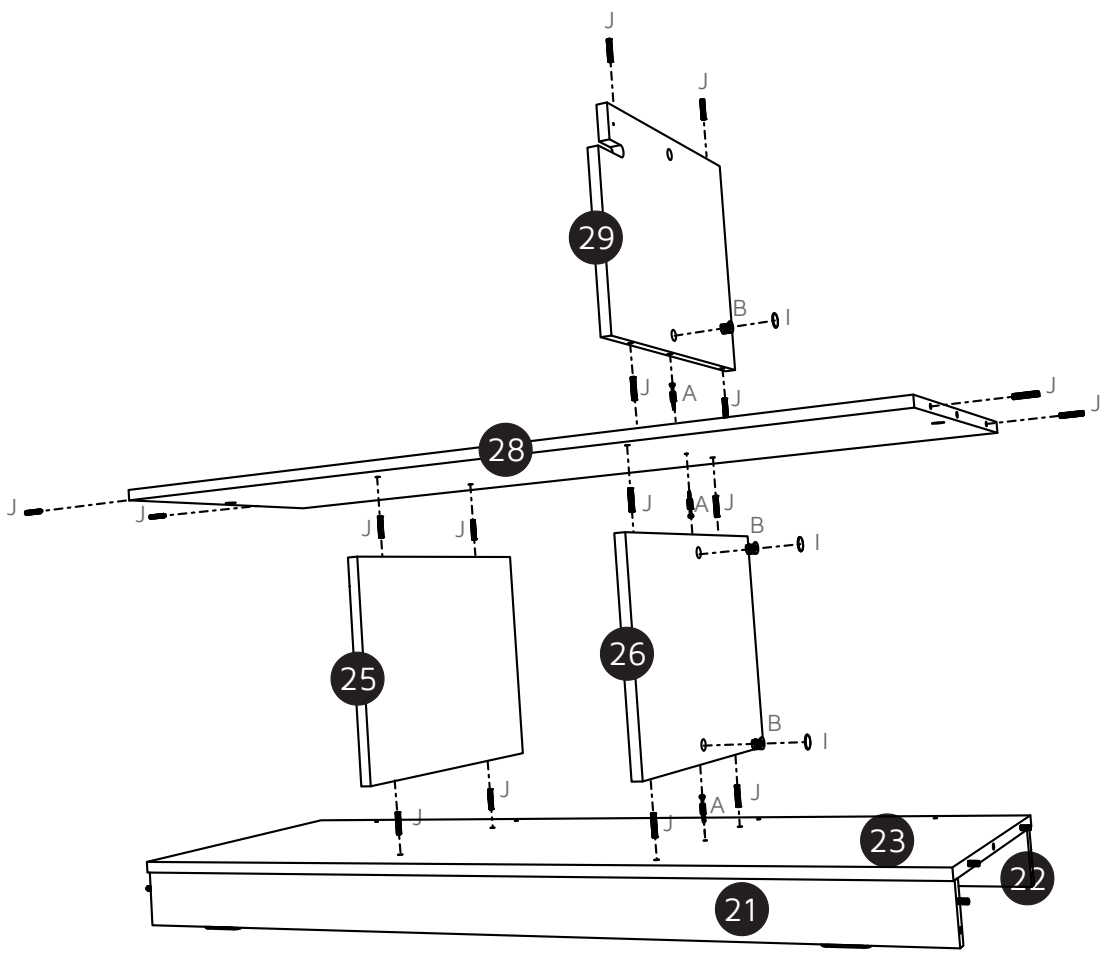
01

COD. 1533 E 	COD. 1669 F 	STICKER ADHESIVO AUTOCOLLANTE I 	COD. 1668 J 	COD. 3518 K 	COD. 0136 L 	COD. 4762 Q 
---	---	---	--	---	---	---

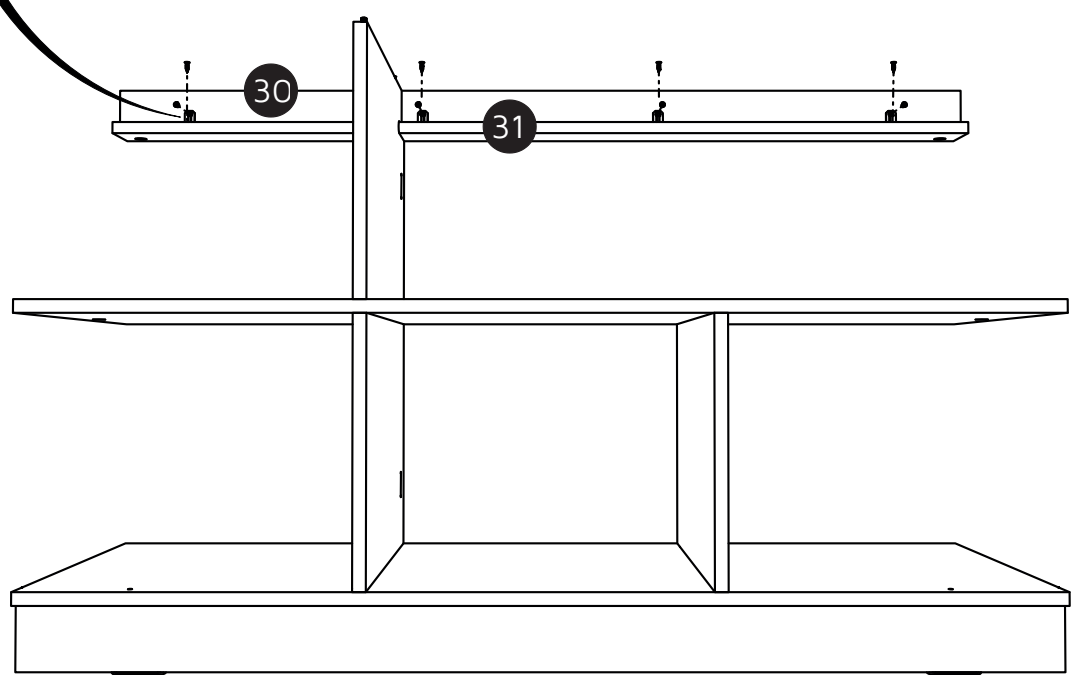
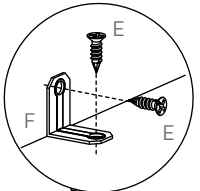









02

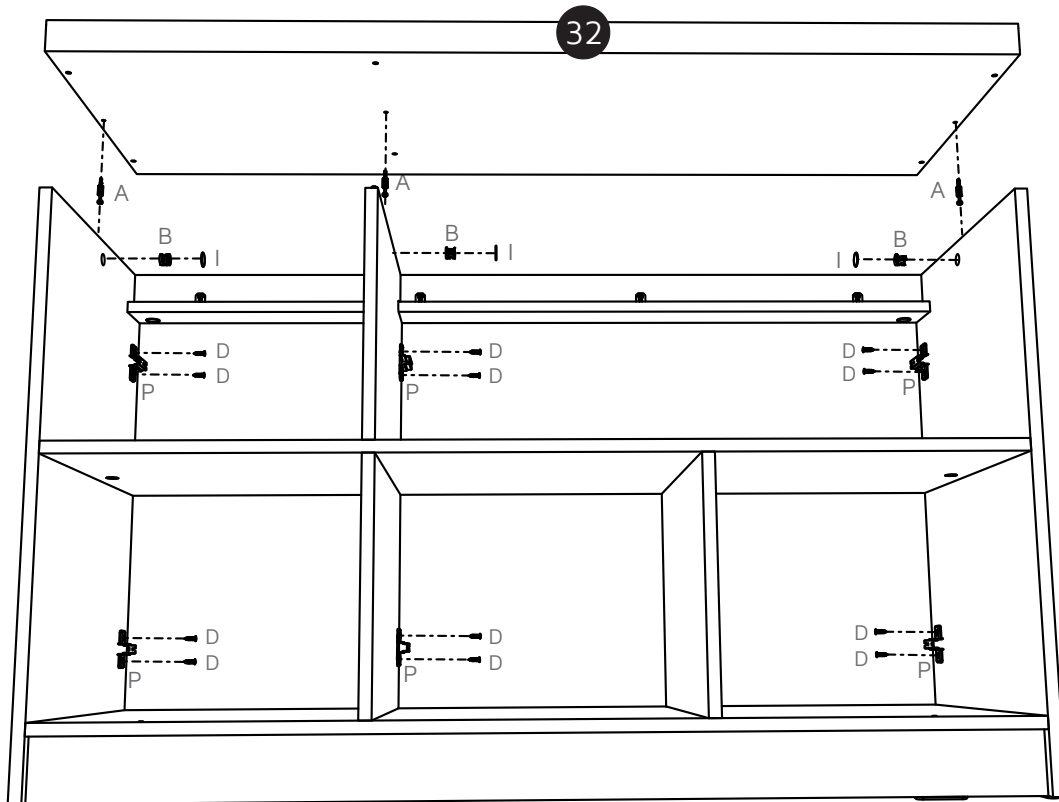
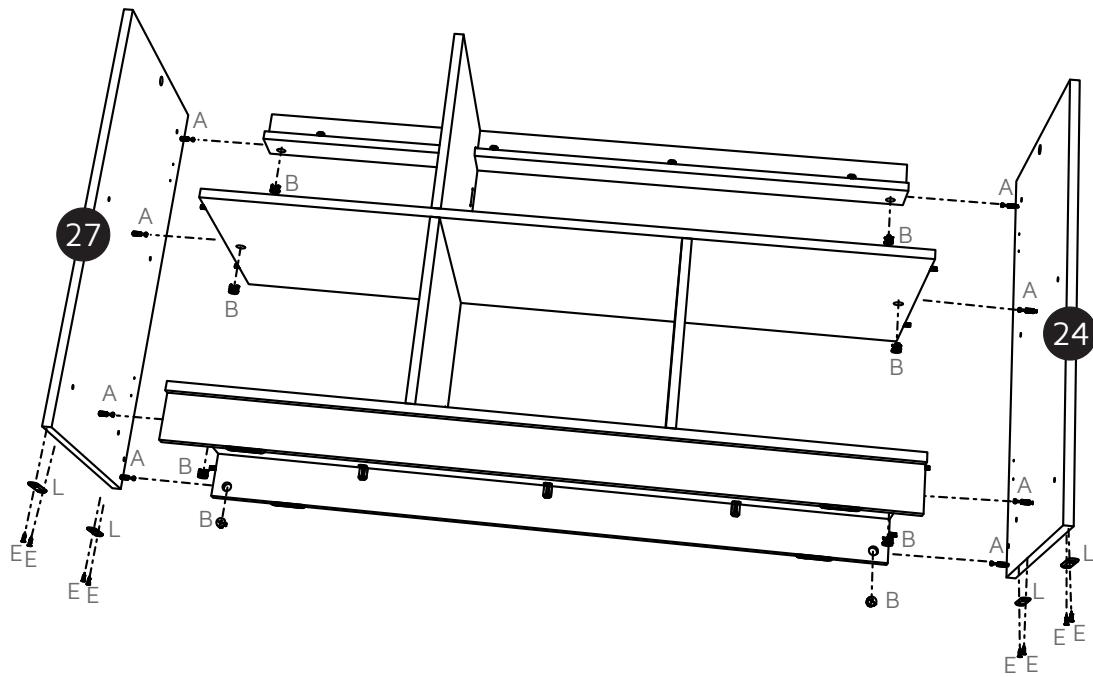
COD. 0599 A 	COD. 0494 B 	COD. 1533 E 	COD. 1669 F 	STICKER ADHESIVO AUTOCOLLANTE I 	COD. 1668 J 
---	---	---	---	---	---



03

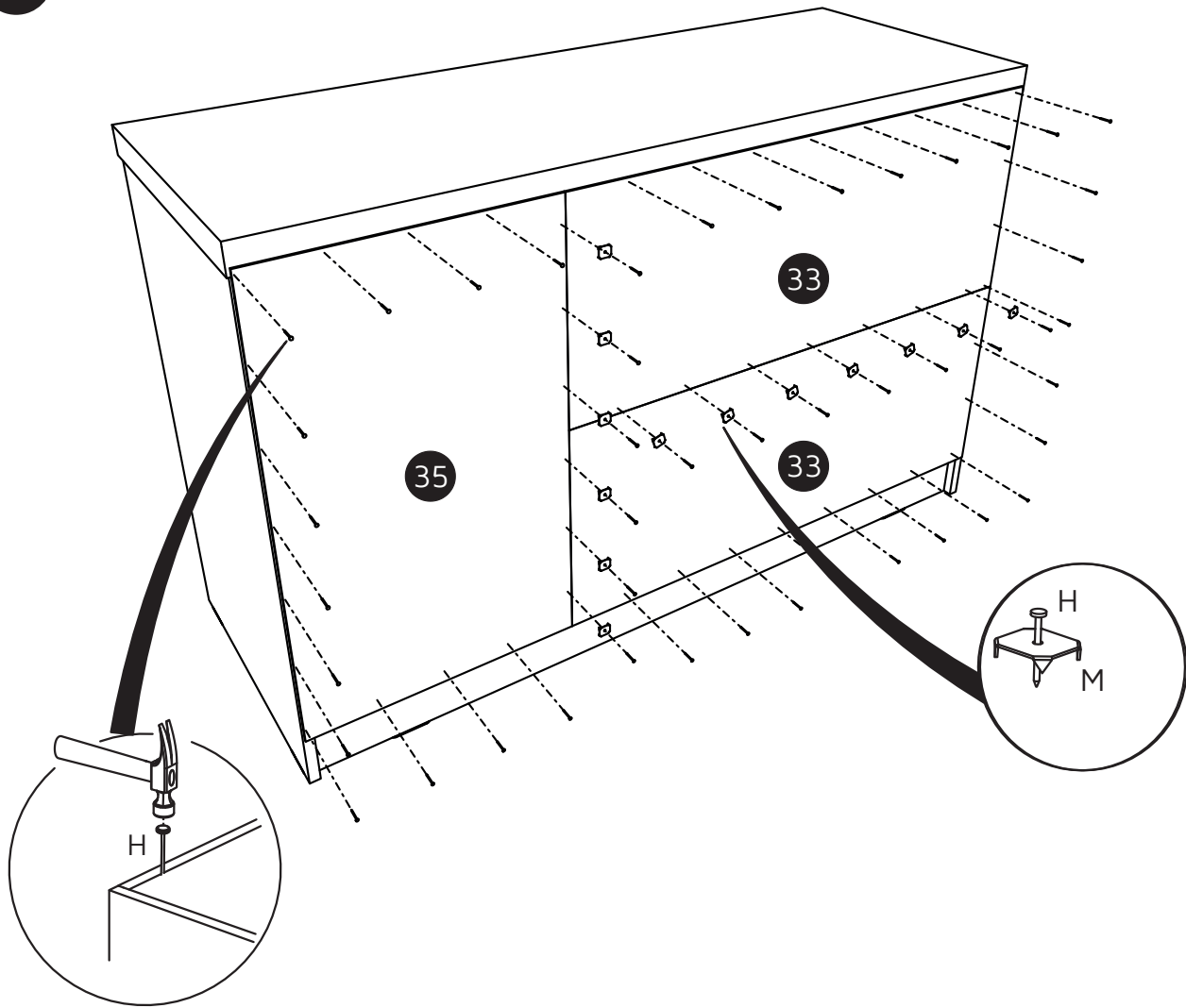


<small>COD. 0599</small> A 	<small>COD. 0494</small> B 	<small>COD. 7519</small> D 	<small>COD. 1533</small> E 	<small>STICKER ADHESIVO AUTOCOLLANTE</small> I 	<small>COD. 0136</small> L 	<small>COD. 4462</small> P 
--	--	--	--	--	--	--

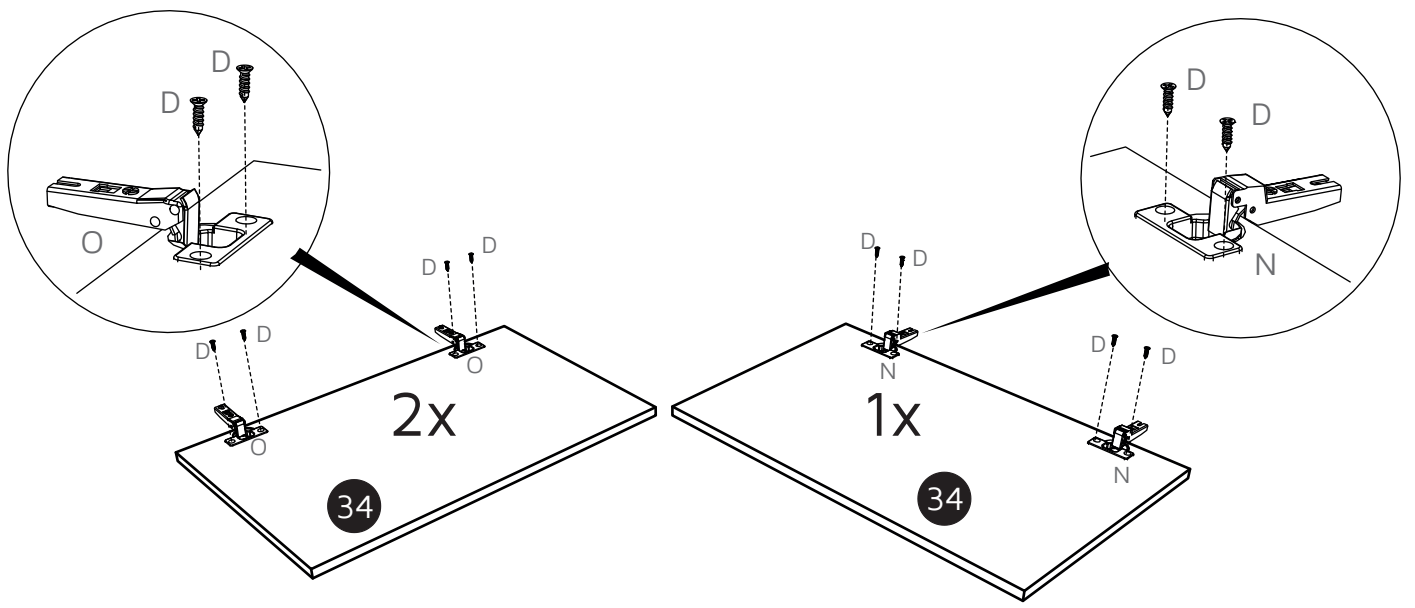


COD. 7519 D 	COD. 0357 H 	COD. 0342 M 	COD. 2510 N 	COD. 2511 O 
---	--	---	---	---








06



07



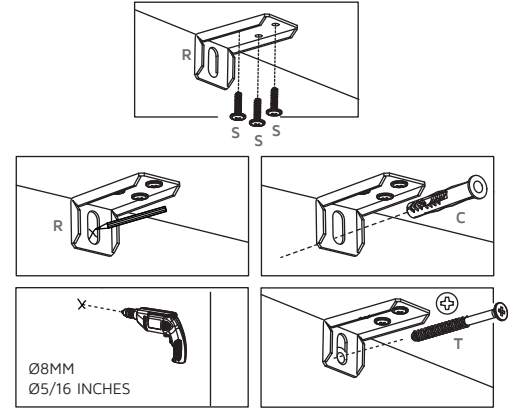
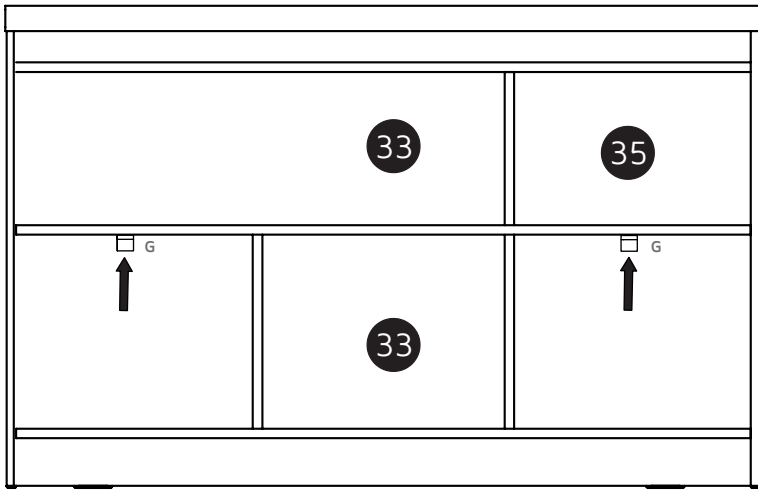
08

COD. 2088 C 	COD. 5681 G 	COD. 2510 N 	COD. 2511 O 	COD. 3934 R 	COD. 3557 S 	COD. 6244 T 
---	---	---	--	---	---	---

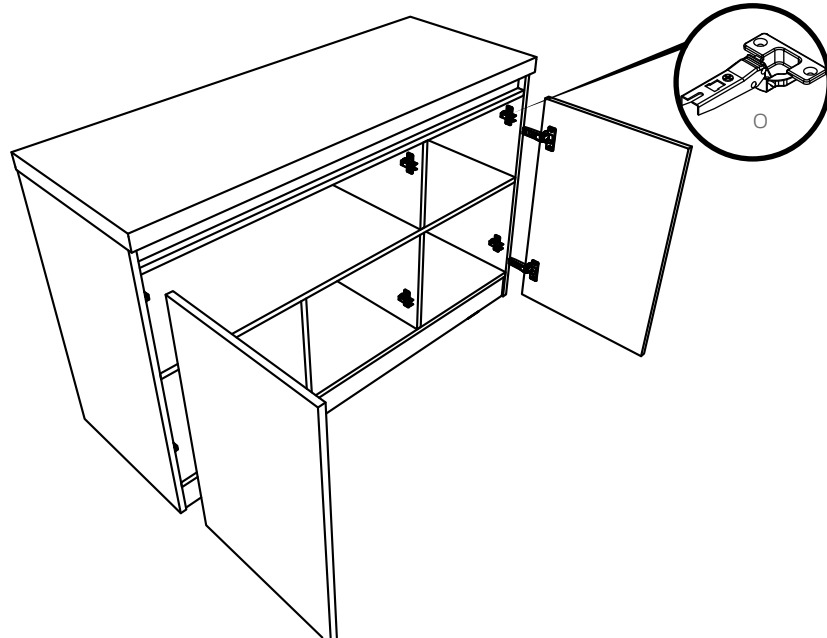
It's mandatory to fix this safety device.

Es obligatorio adjuntar este accesorio de seguridad.

Il est obligatoire de fixer cet accessoire de sécurité.



09



10

