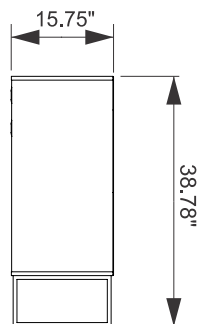
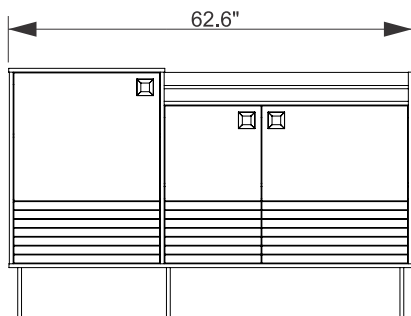
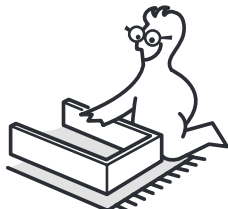
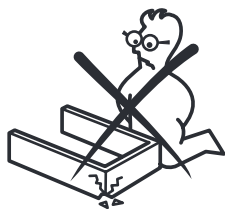


MANHATTAN
COMFORT

Loft Buffet Stand - Big

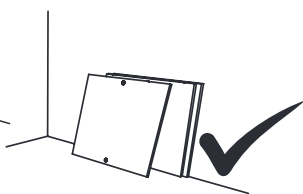
Model #491881, 491882



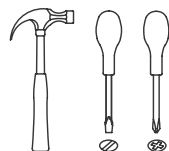


For Best Results

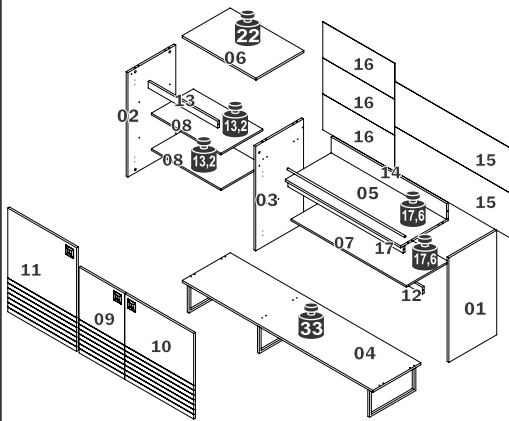
- Do not throw away packaging materials until assembly is complete.
- Assemble item on a soft surface, such as cardboard or carpet, to protect finish.
- Proper assembly requires two people.



Tools Required



Included in this Package



01	RIGHT SIDE	X1
02	LEFT SIDE	X1
03	DIVISION	X1
04	LOWER TOP	X1
05	UPPER RIGHT TOP	X1
06	UPPER LEFT TOP	X1
07	BIG SHELF	X1
08	SMALL SHELF	X2
09	LEFT DOOR	X1
10	RIGHT DOOR	X1
11	BIG DOOR	X1
12	BIG BATTEN	X1
13	SMAALL BATTEN	X1
14	UPPER VIEW	X1
15	RIGHT BACK	X2
16	LEFT BACK	X3
17	UPPER BIG BATTEN	X1
18	FITTINGS	X1



18 Fittings

 A - HANDLE x3	 B - SLOW MOTION HINGE x6	 C - 7X50MM SCREW x6	 D - 4X14MM SCREW x24	 E - FOOT x3	 F - 4X14MM SCREW x22	 G - CYLINDRICAL TUBE Ø9,5x980MM x1
 H - 6X30MM WOODEN DOWEL x34	 I - ANGLE BRACKET x5	 J - 5X40MM SCREW x3	 K - MINIFIX SCREW x10	 L - 15MM CONNECTOR x10	 M - WHITE GLUE x1	
 N - 10X10 NAIL x54	 O - FIXER FOR BACK x18	 P - ALLEN WRENCH x1	 Q - HINGE HOLDER x6			

Where to find the items

Box 01			
01	06	11	16
02	07	12	17
03	08	13	18
04	09	14	
05	10	15	

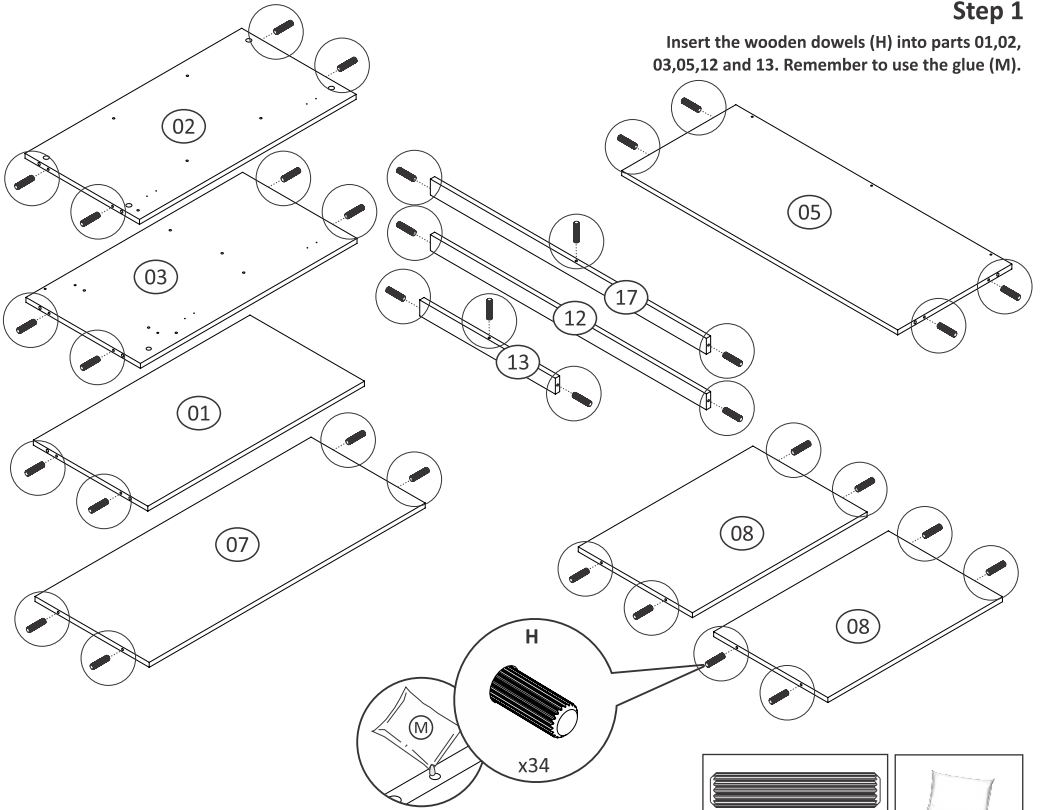
Assembly time: 180min

Tip of the number of people required for product assembly

Prepare the pieces

Step 1

Insert the wooden dowels (H) into parts 01,02, 03,05,12 and 13. Remember to use the glue (M).

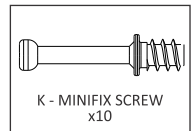
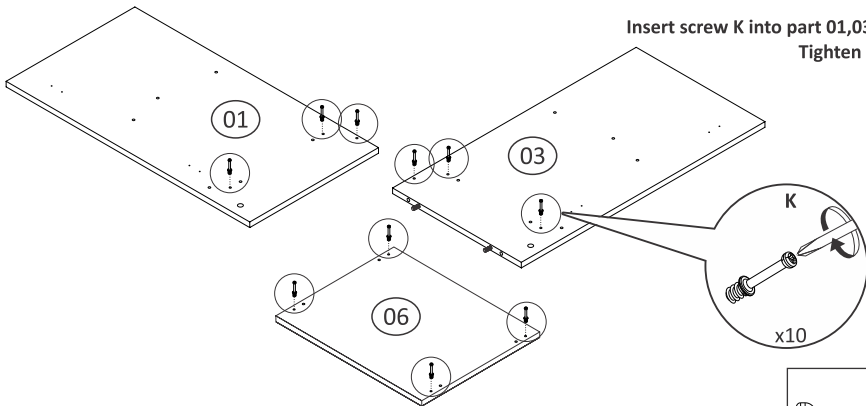


It's important to glue the wooden dowel.



Step 2

Insert screw K into part 01,03,04 and 06. Tighten to the limit.

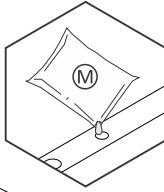


Assembly

Step 3



It's important to glue the wooden dowel.



For better assembly, start with the front of the parts facing down!

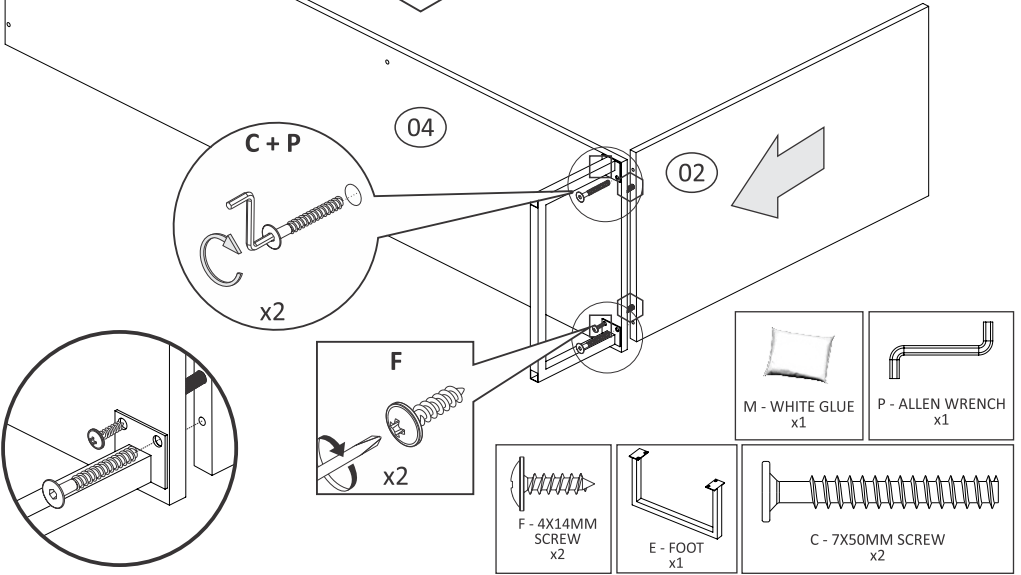
Insert the part 2 on the part 4.

Then, install the foot (E) on parts 4 and 2 with the screws (C).

Use the screws (F) to fix the foot (E) on the part 4.

Tighten to the limit.

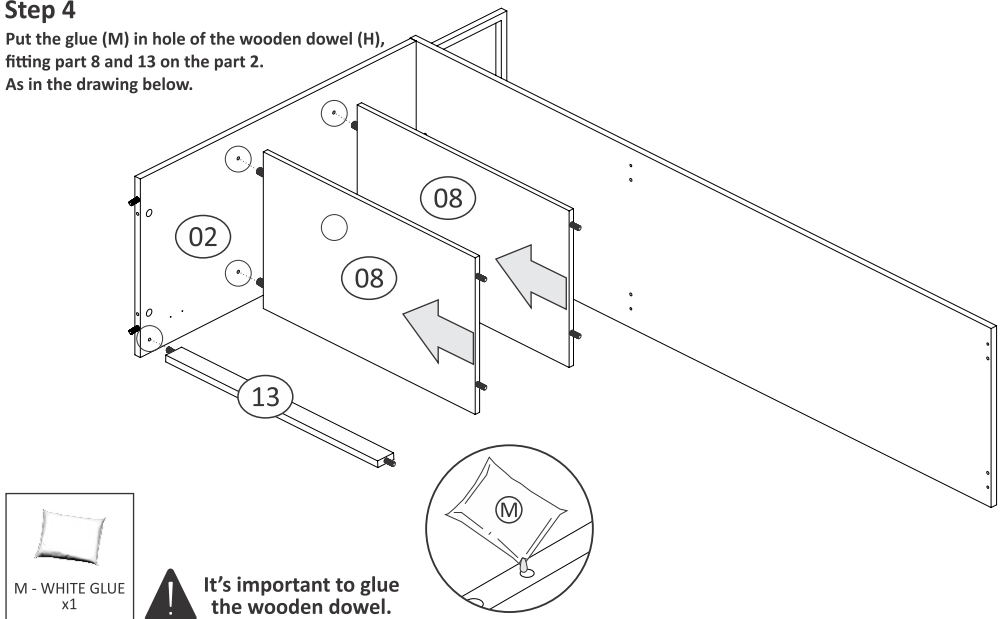
As in the drawing below.



Step 4

Put the glue (M) in hole of the wooden dowel (H), fitting part 8 and 13 on the part 2.

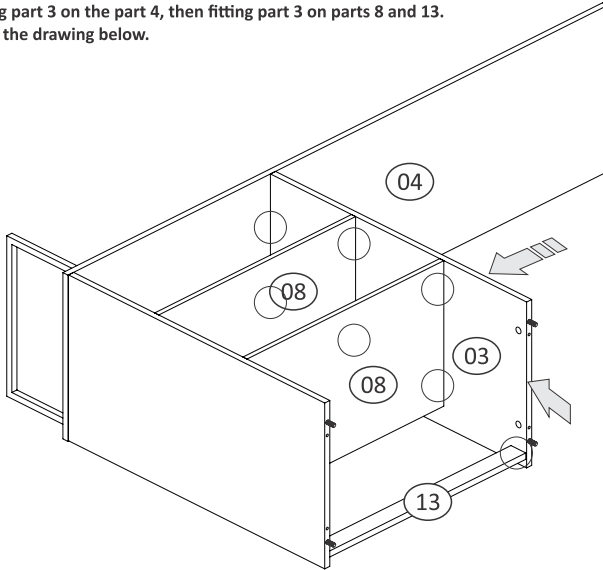
As in the drawing below.



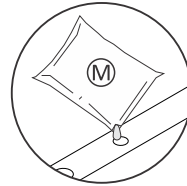
Assembly

Step 5

Put the glue (M) in holes of the wooden dowel (H), fitting part 3 on the part 4, then fitting part 3 on parts 8 and 13. As in the drawing below.

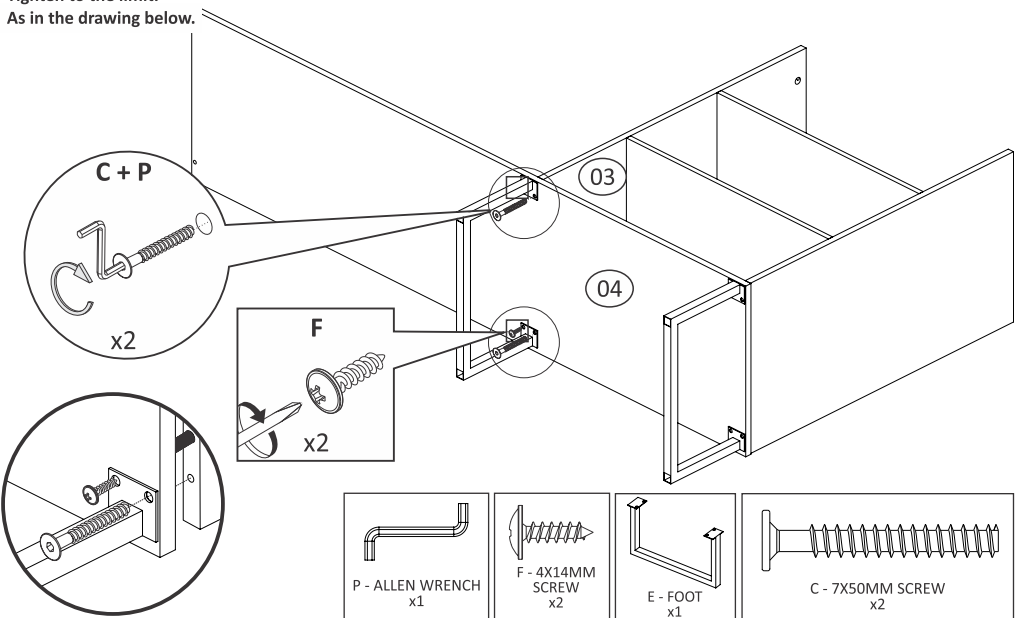


It's important to glue the wooden dowel.



Step 6

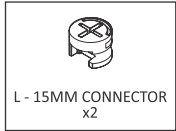
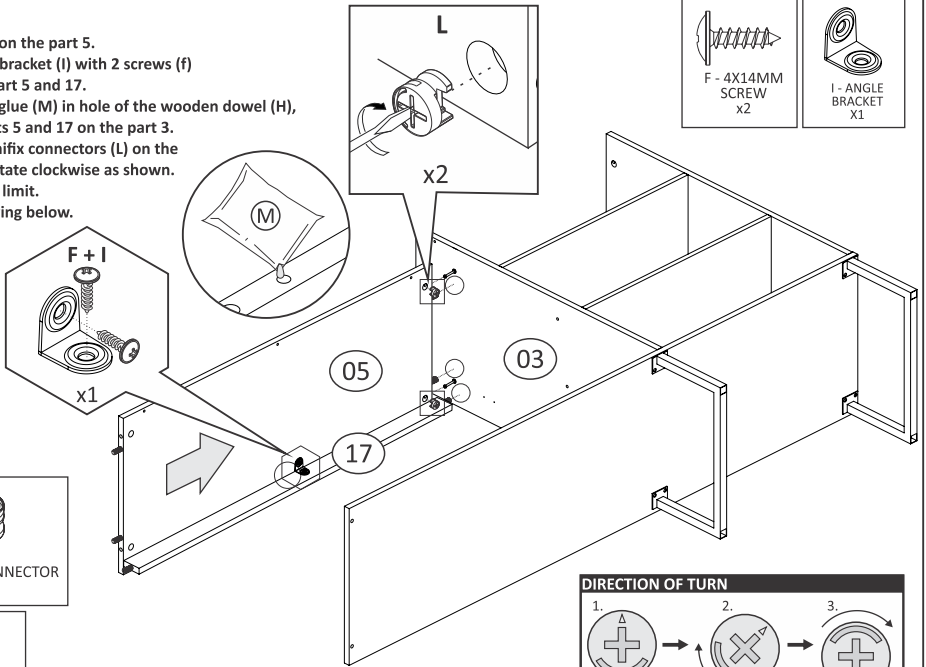
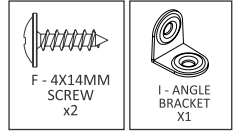
Then install the foot (E) on parts 4 and 3 with the screws (C). Use the screws (F) to fix the foot (E) on the part 4. Tighten to the limit. As in the drawing below.



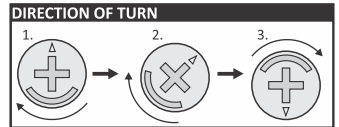
Assembly

Step 7

Insert part 17 on the part 5.
 Use the angle bracket (I) with 2 screws (f) to fixing the part 5 and 17.
 Then, put the glue (M) in hole of the wooden dowel (H), fitting the parts 5 and 17 on the part 3.
 Insert two minifix connectors (L) on the part 05 and rotate clockwise as shown.
 Tighten to the limit.
 As in the drawing below.



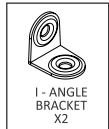
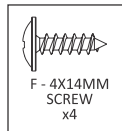
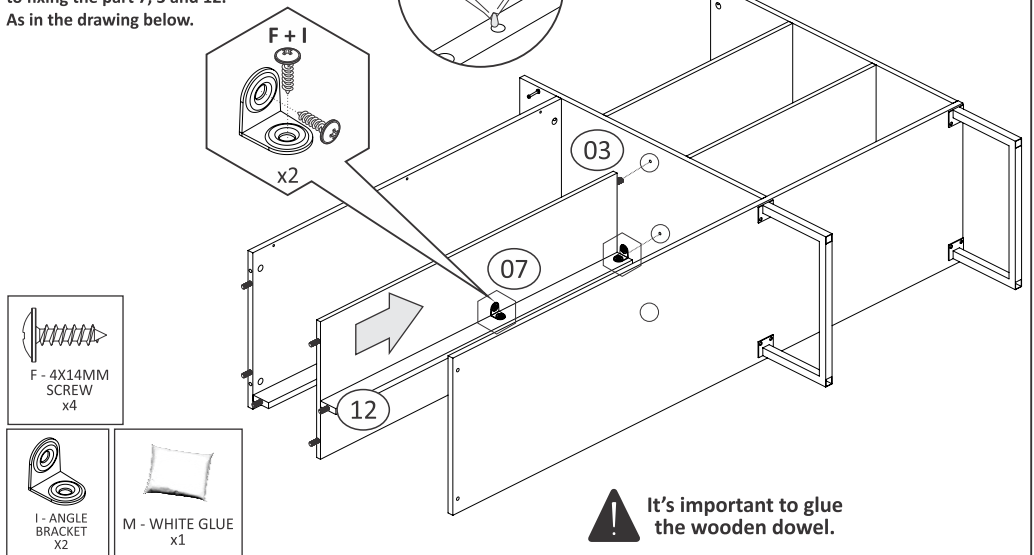
! It's important to glue the wooden dowel.



Tighten the minifix up to the limit to assembly don't be slack.

Step 8

Put the glue (M) in hole of the wooden dowel (H), fitting the part 7,12 on the part 3.
 Use the angle bracket (I) with 2 screws (f) to fixing the part 7, 3 and 12.
 As in the drawing below.



! It's important to glue the wooden dowel.

Assembly

Step 9

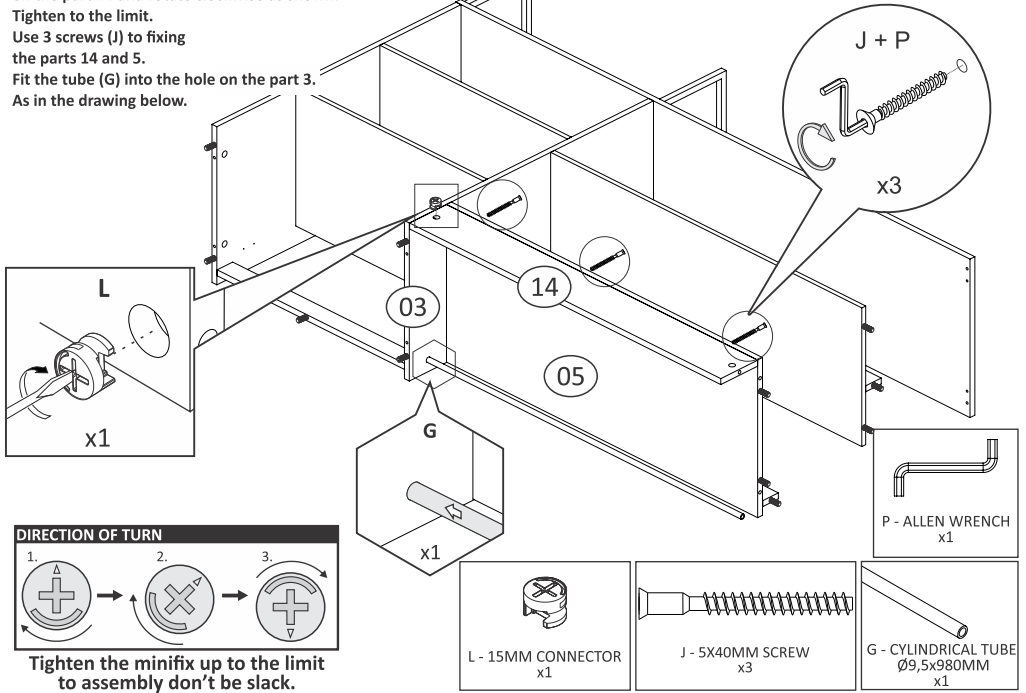
To fixing part 14 on the 3, insert a minifix connectors (L) on the part 14 and rotate clockwise as shown.

Tighten to the limit.

Use 3 screws (J) to fixing the parts 14 and 5.

Fit the tube (G) into the hole on the part 3.

As in the drawing below.

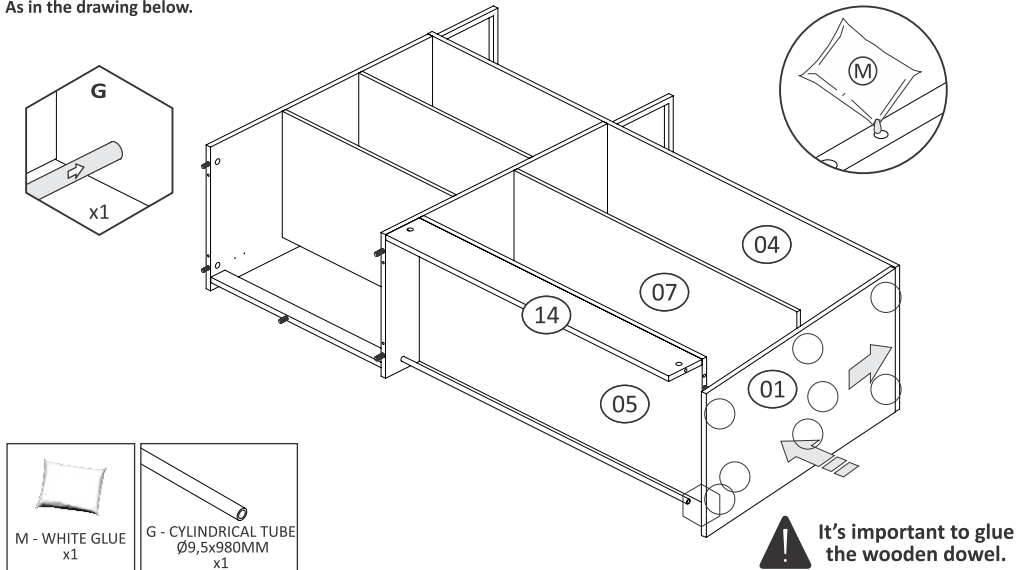


Step 10

Put the glue (M) in hole of the wooden dowel (H).

Fitting the part 1 on the part 4, then fitting part 1 on the parts 5,7,12,14,17, and the tube (G).

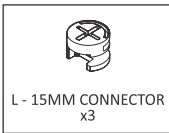
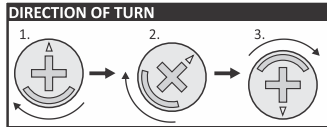
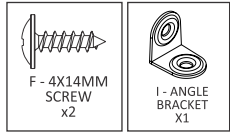
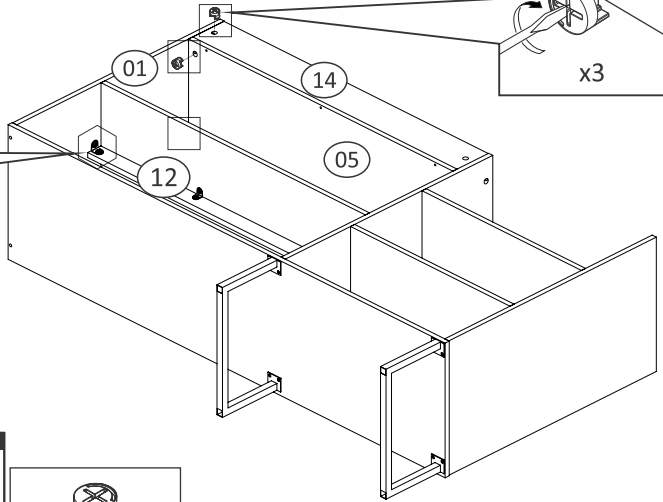
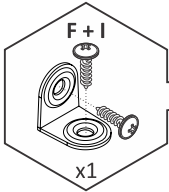
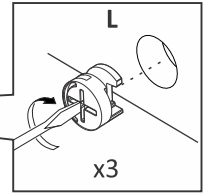
As in the drawing below.



Assembly

Step 11

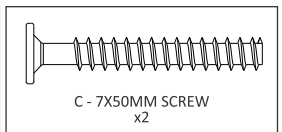
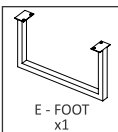
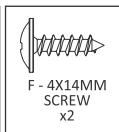
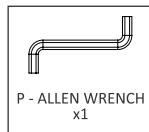
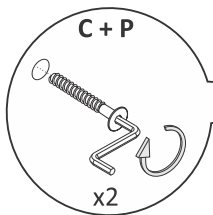
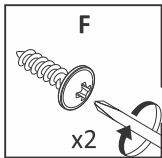
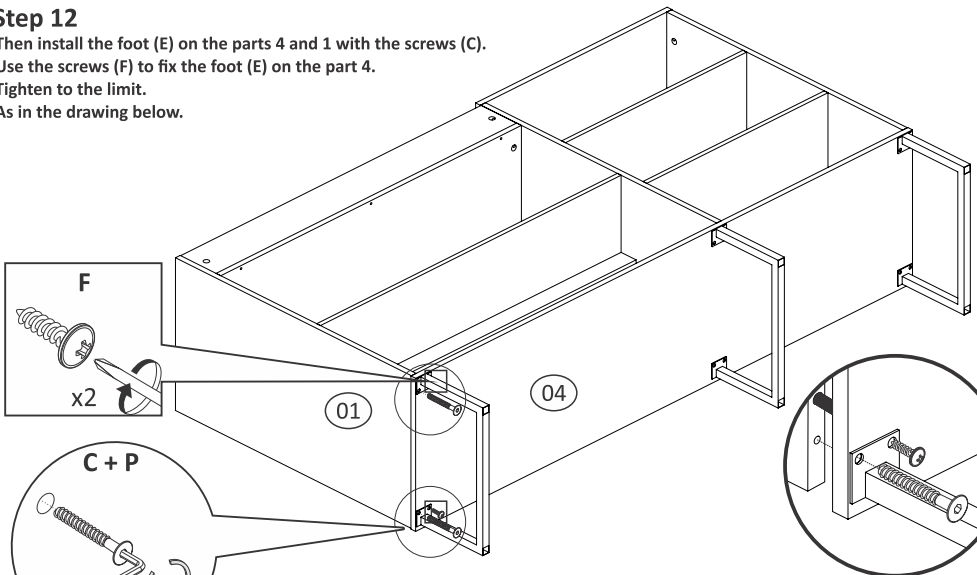
To fixing the part 1 on the parts 14 and 5, insert three minifix connectors (L), and rotate clockwise as shown.
 Use the angle bracket (I) with 2 screws (f) to fixing the part 1 and 12.
 Tighten to the limit.
 As in the drawing below.



Tighten the minifix up to the limit to assembly don't be slack.

Step 12

Then install the foot (E) on the parts 4 and 1 with the screws (C).
 Use the screws (F) to fix the foot (E) on the part 4.
 Tighten to the limit.
 As in the drawing below.



Assembly

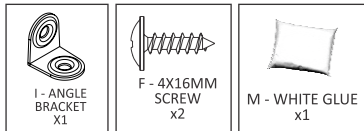
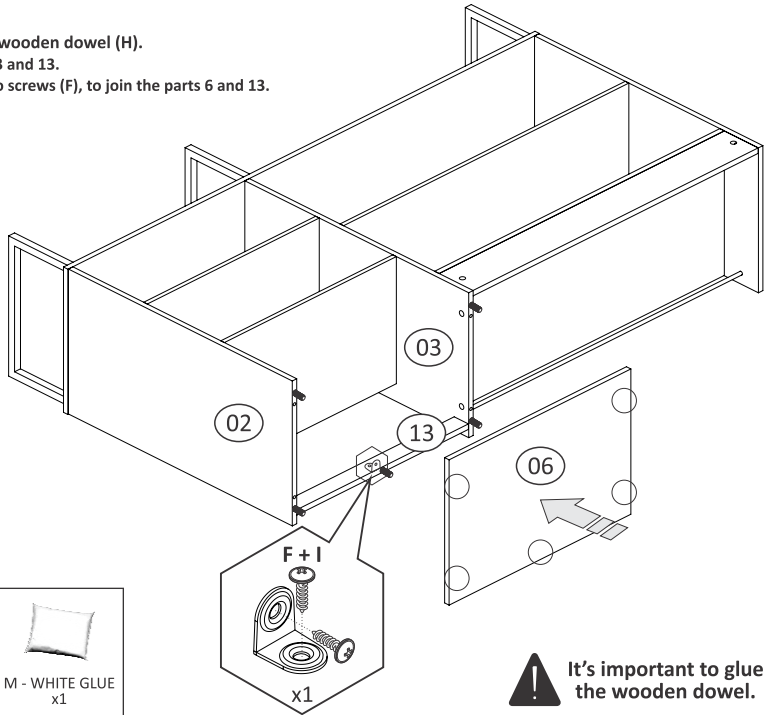
Step 13

Put the glue (M) in hole of the wooden dowel (H).

Attach the part 6 on the parts 2, 3 and 13.

Use the angle bracket (I) with two screws (F), to join the parts 6 and 13.

As in the drawing below.

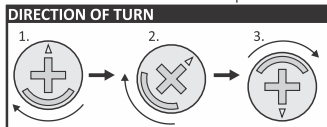
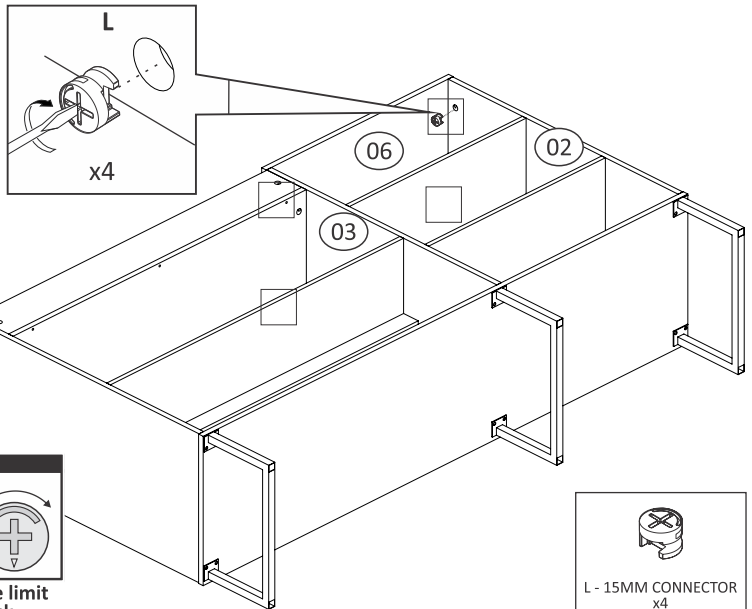


Step 14

To fixing the part 6 on the parts 2 and 3, insert four minifix connectors (L), and rotate clockwise as shown.

Tighten to the limit.

As in the drawing below.



Tighten the minifix up to the limit to assembly don't be slack.



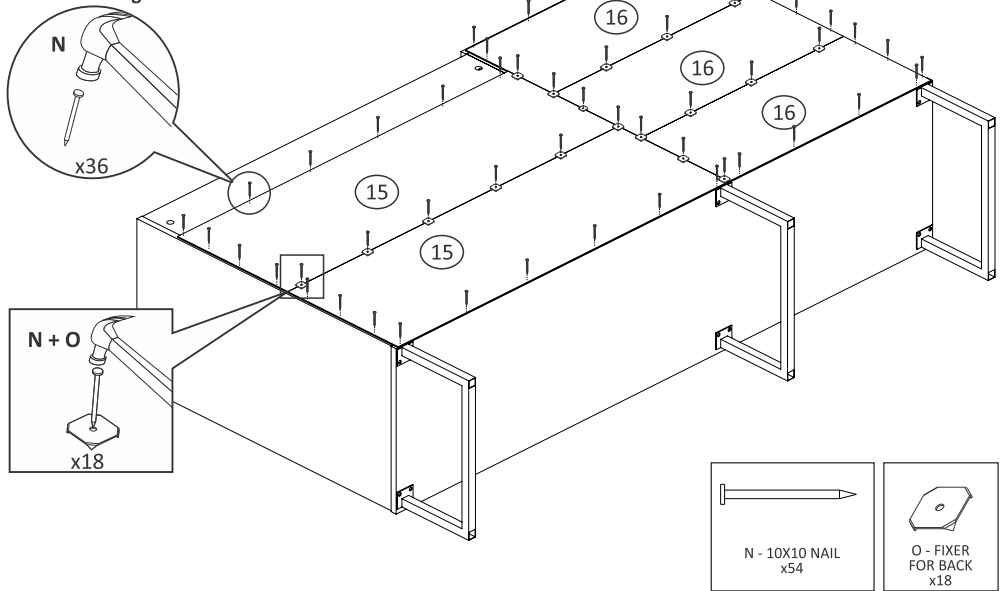
Assembly

Step 15

Fix the parts 15 and 16 using the nails (N).

To attach parts 15 and 16, use the fixer for back (O) with the nails (N).

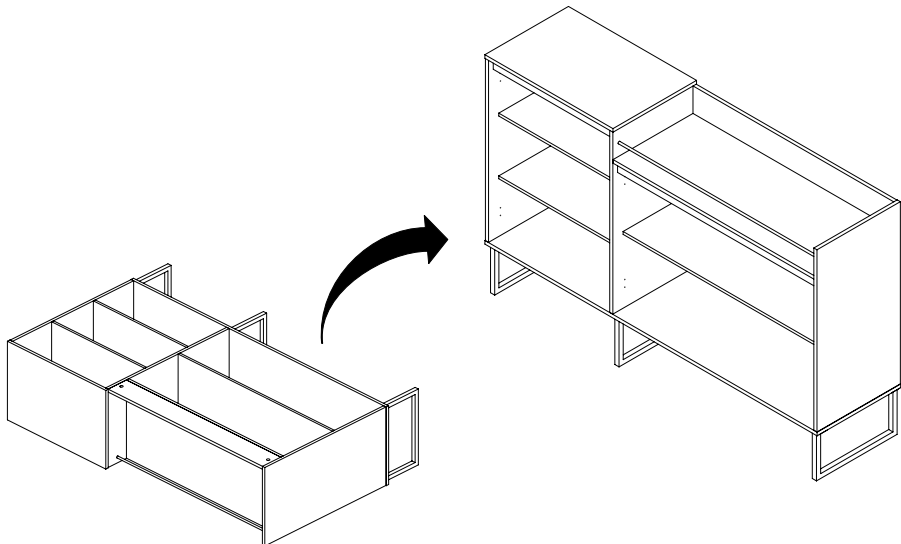
As in the drawing below.



Step 16

Very carefully and in two people, lift the product off the floor.

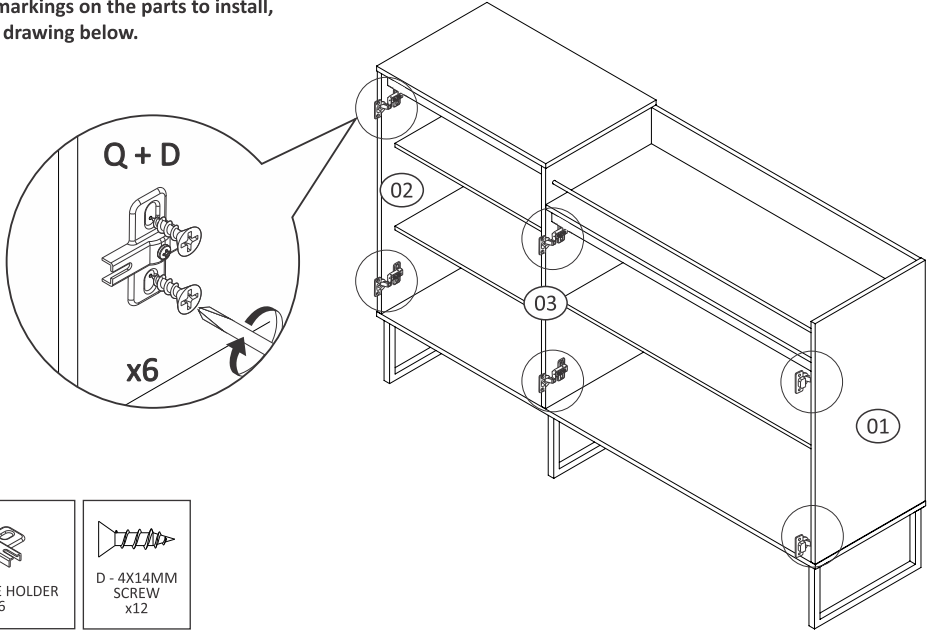
As the drawing below.



Assembly

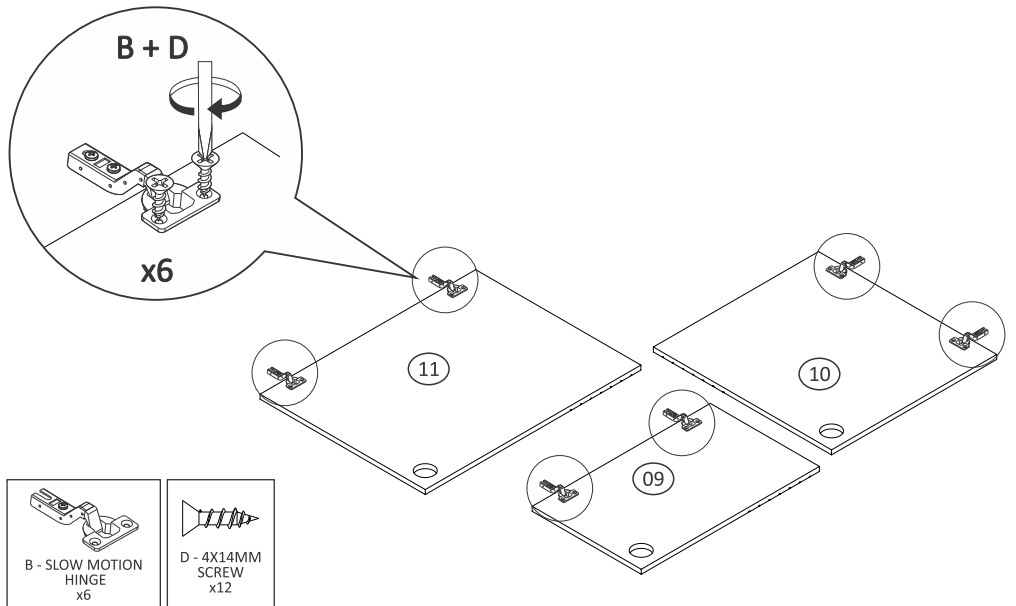
Step 17

Install the hinge holders (Q) on the parts 1,2 and 3 using the screws (D), use the markings on the parts to install, as in the drawing below.



Step 18

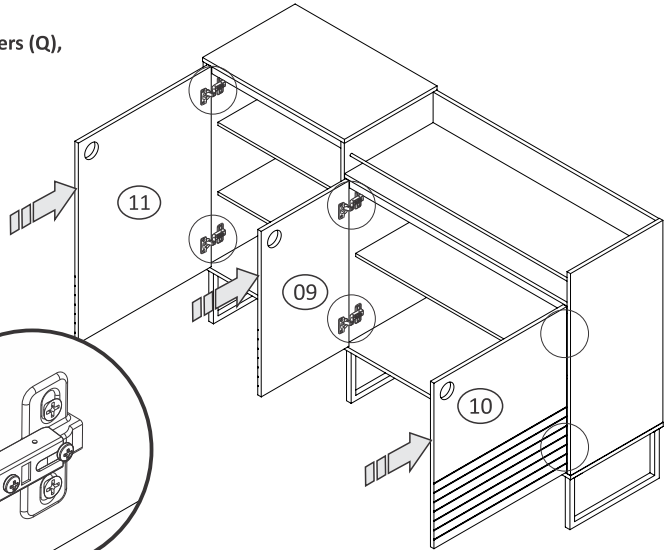
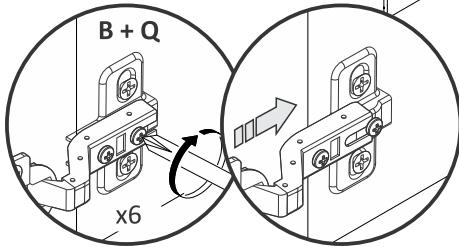
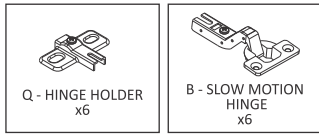
Install the hinges (B) on the parts 9,10 and 11 using the screws (D), use the holes on the parts to install. As in the drawing below.



Assembly

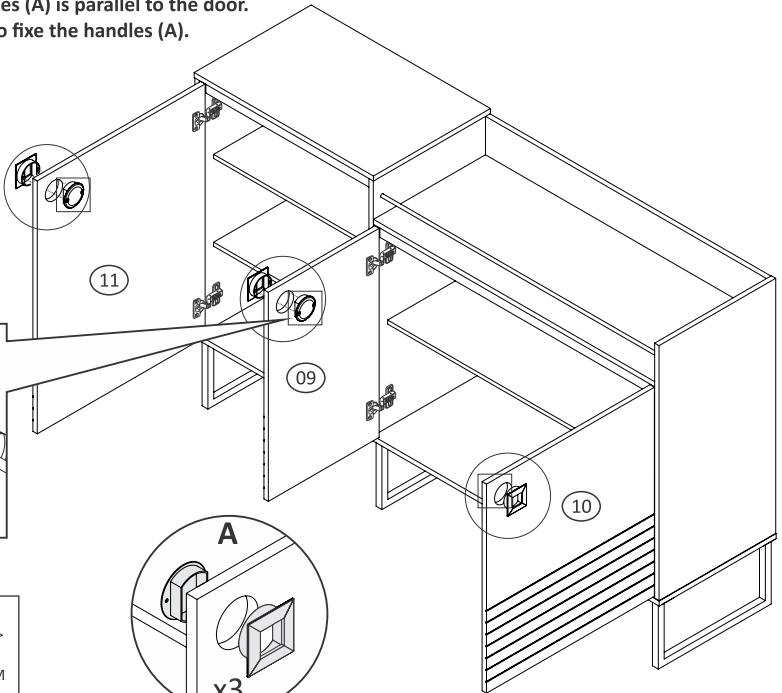
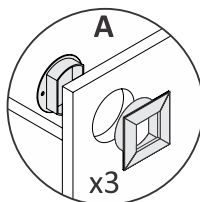
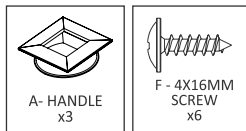
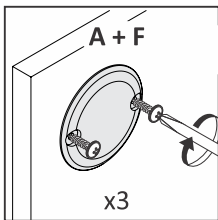
Step 19

Install the hinges (B) on the hinge holders (Q), then tighten the screw of holder (Q).
As in the drawing below.



Step 20

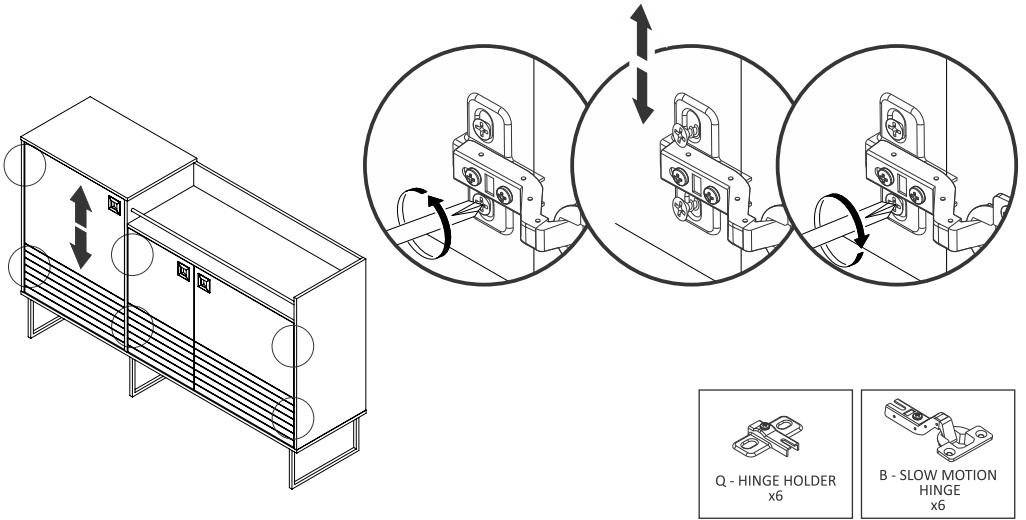
Attach the handles (A) into the holes of the pieces 9, 10 and 11.
Attention, the two holes behind the handle (A) must be positioned horizontally.
Make sure that the handles (A) is parallel to the door.
Then use the screws (F) to fix the handles (A).
As in the drawing below.



Assembly

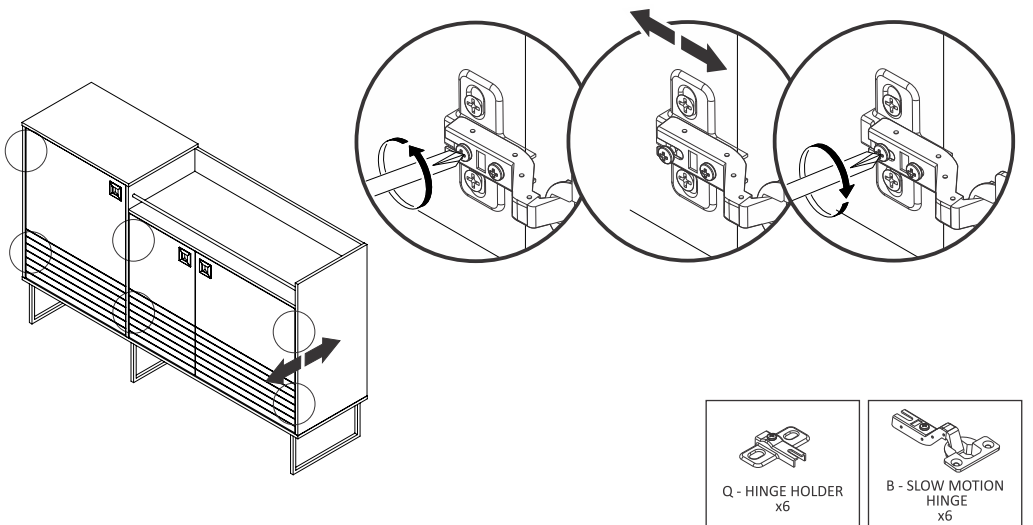
Step 21 - To adjust the doors, follow the instructions below

If you need to put the door up or down, loosen the screws (D), reposition the holder (Q) and tight again. As in the drawing below.



Step 22 - To adjust the doors, follow the instructions below

If you need to push the door to inside or pull it out, loosen the screw of holder (Q), reposition and tight again. As in the drawing below.

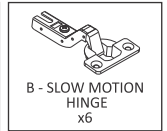
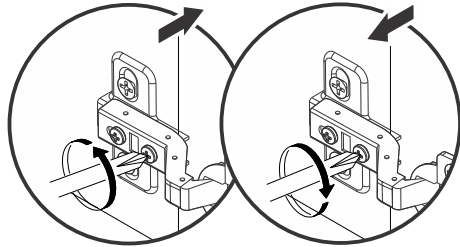
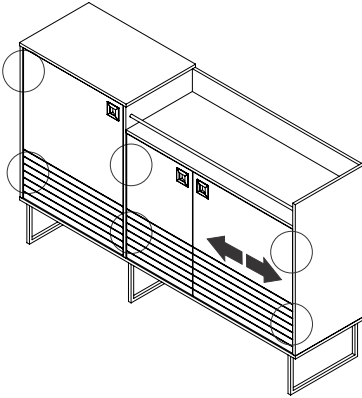


Assembly

Step 23 - To adjust the doors, follow the instructions below

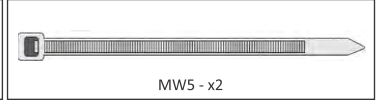
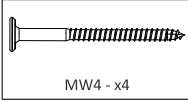
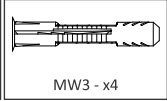
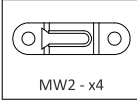
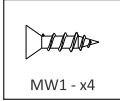
If you need to align the doors a bit more to the center, or toward the sides, turn the screw of hinge (B) until the position the door as you need.

As in the drawing below.



Safe and Security

KIT FOR MASONRY MW = MASONRY WALL



WARNING



Serious or fatal crushing injuries can occur from furniture tip-over. **ALWAYS** secure this furniture to the wall using tip-over restraints. To further reduce the risk of serious injury and death from tip-overs:

- Place heaviest items in the lower drawer.
- Do not set TVs or other heavy objects on the top of this product.
- Never allow children to climb or hang on drawers doors or shelves.

**DON'T PULL THE FURNITURE TO CHANGE IT.
INSTEAD OF PULLING, PUSH IT ON THE DIRECTION YOU WANT.**

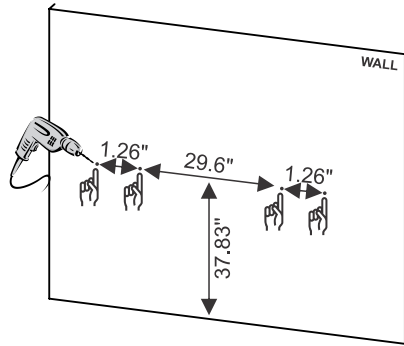
Safe and Security

KIT FOR MASONRY

1. Make holes on the wall following the model below and specifications:
 - \varnothing 8mm (5/16") drill.
 - ∇ Depth of 50mm (1.96").

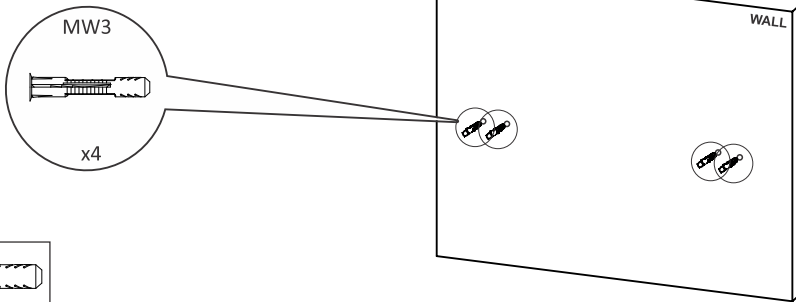
Step 24


Use an electric drill.



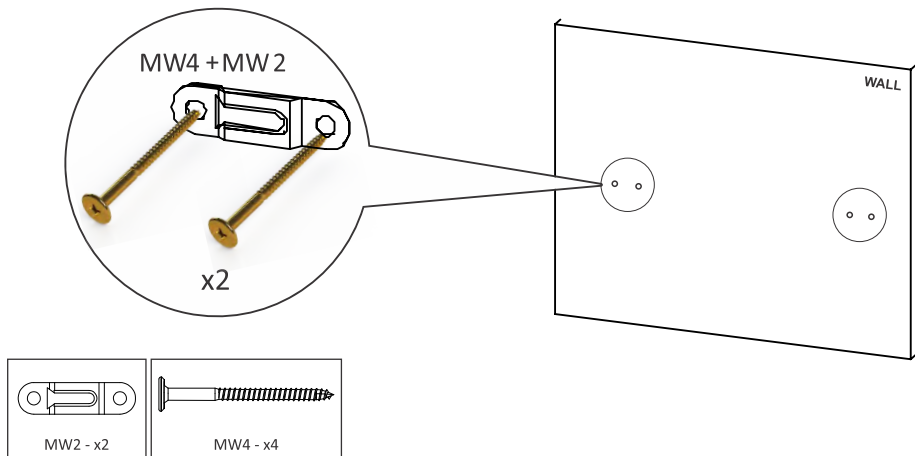
2. Insert the bushing into the hole made on the wall.

Step 25



3. Put the screws into the bushings.

Step 26



Safe and Security

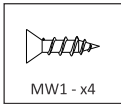
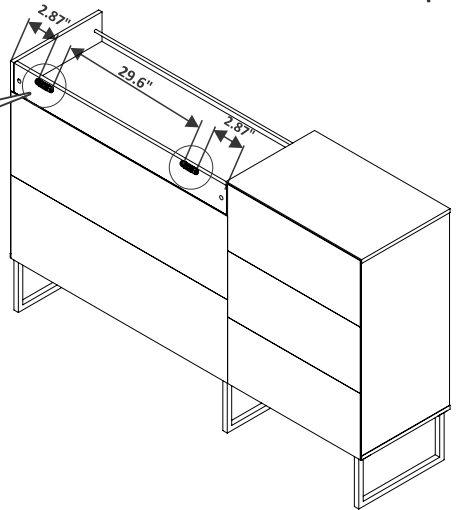
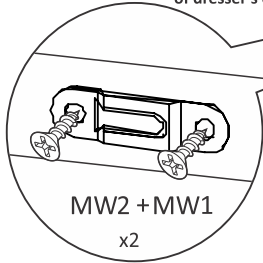
KIT FOR MASONRY

4. Put the lock on the horizontal as the pictures below.

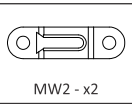
Step 27



Check the distance between wall's holes.
It must be the same distance between centers
of dresser's device.



MW1 - x4



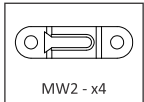
MW2 - x2

5. Drag the dresser carefully until you meet the screw's head.
Fit the screw into the lock as the picture below.

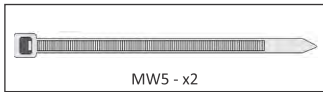
Step 28



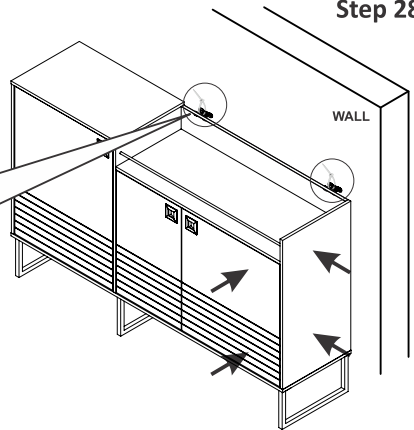
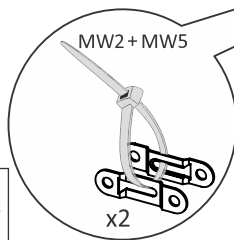
Put the two pieces together
and insert the seal.



MW2 - x4



MW5 - x2



TAKING GOOD CARE OF YOUR FURNITURE

Cleaning and caring instructions:

- Wipe the wood furniture down with a moist cloth to properly clean the furniture.
- Do not forget to dry your furniture out. Humidity can damage the finish or create mould.
- Chemical products are not recommended;
- Never clean the furniture with scouring powders, steel scrubber pads or any other product which can scratch its
- Furniture surfaces should not be covered with colored plastic or paper sheets.
- Avoid dragging objects on top of the furniture. They might scratch the finishing.
- Wood furniture are made of mould and termites resistant materials, however, it is recommended to use termiticides in infested places before installing the furniture.
- Avoid furniture exposure to direct Sun light. Drapers suggested.