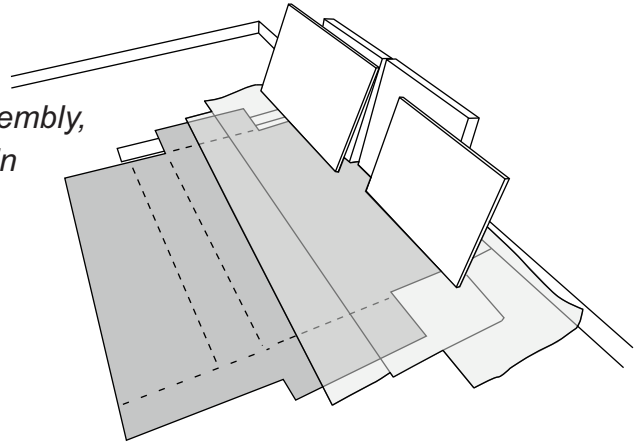


Tribeca Shoe Closet

# Before starting

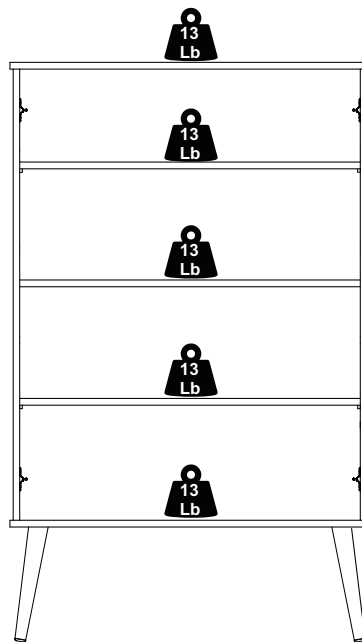
Prepare the room before starting the assembly, leaving it completely clean and the area in good condition to start the work.

Use the cardboard of the packaging and the foam sheets protection to separate and support the parts removed from the boxes.



## Dimension:

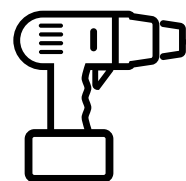
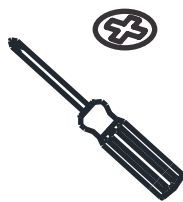
W: 32.67" H: 50.59" D: 15.94"



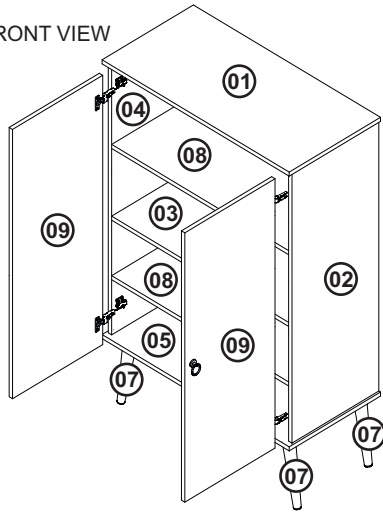
QUANTITY OF PEOPLE  
TO ASSEMBLE THIS  
FURNITURE



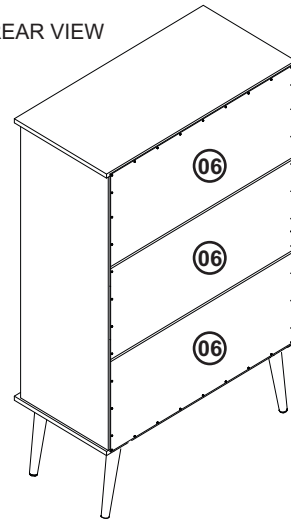
REQUIRED TOOLS



FRONT VIEW

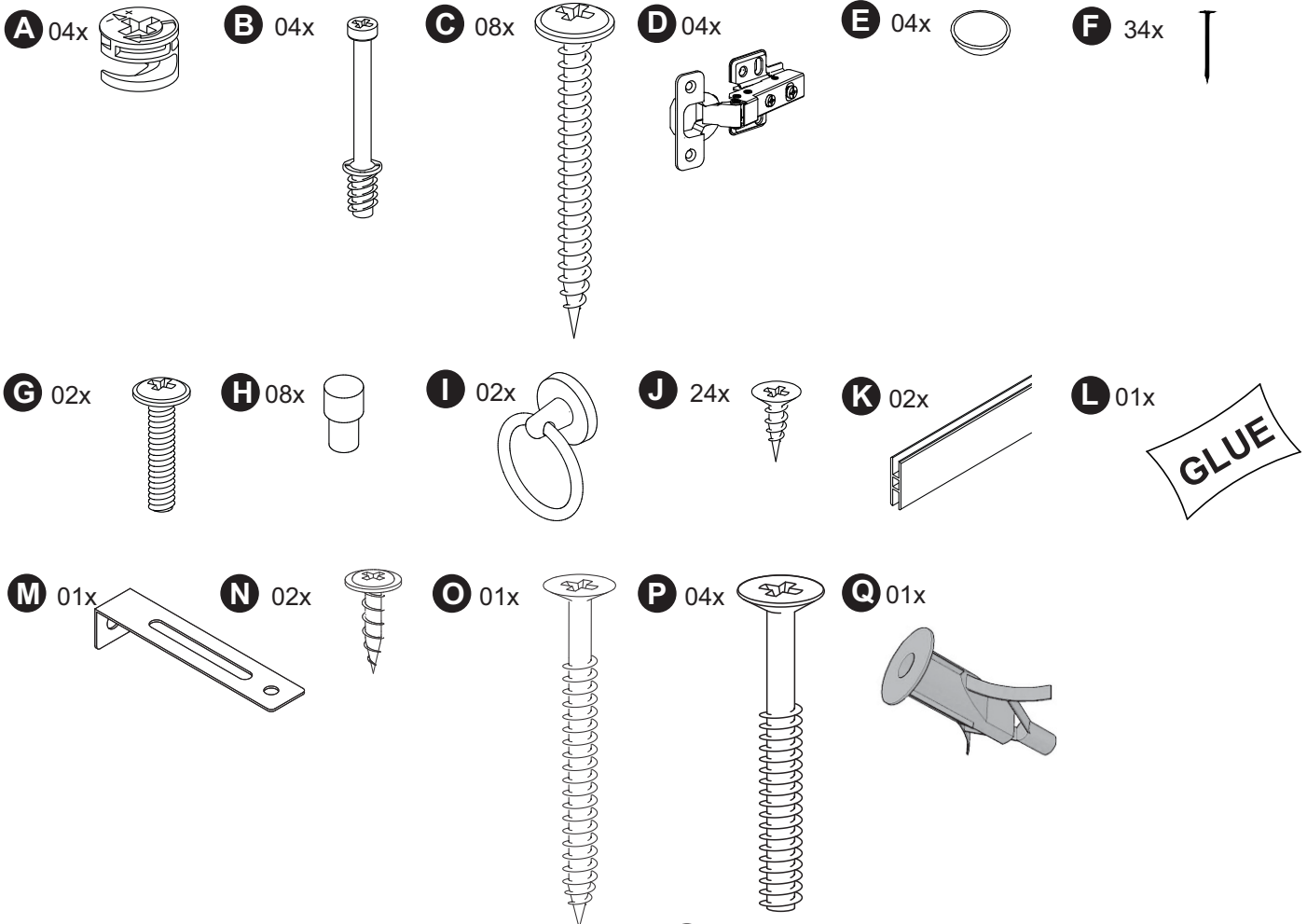


REAR VIEW

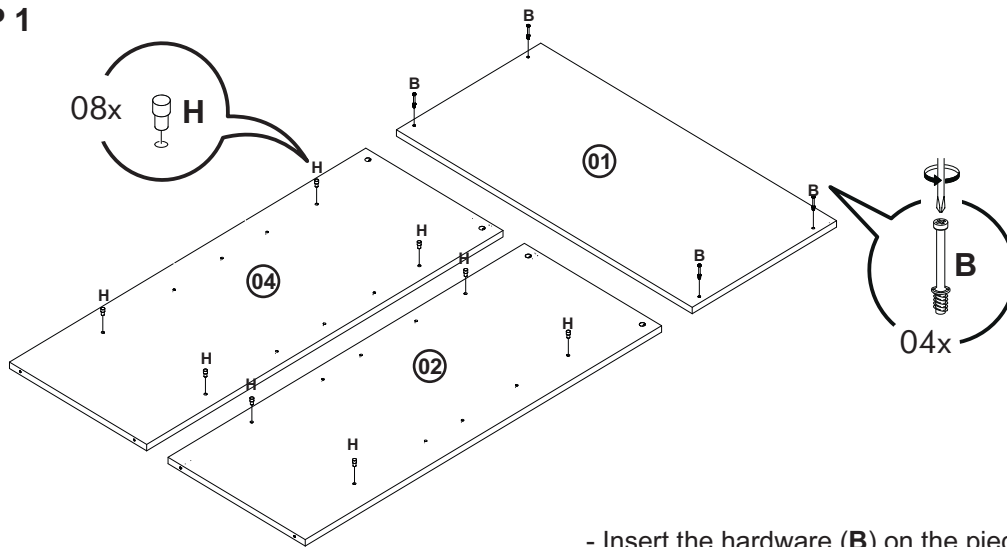


PART	DESCRIPTION	QUANTITY
01	TOP	01
02	RIGHT SIDE	01
03	FIXED SHELF	01
04	LEFT SIDE	01
05	BASE	01
06	BACK COVER	03
07	FEET	04
08	SUSPENDED SHELF	02
09	DOOR	02

**HARDWARE**

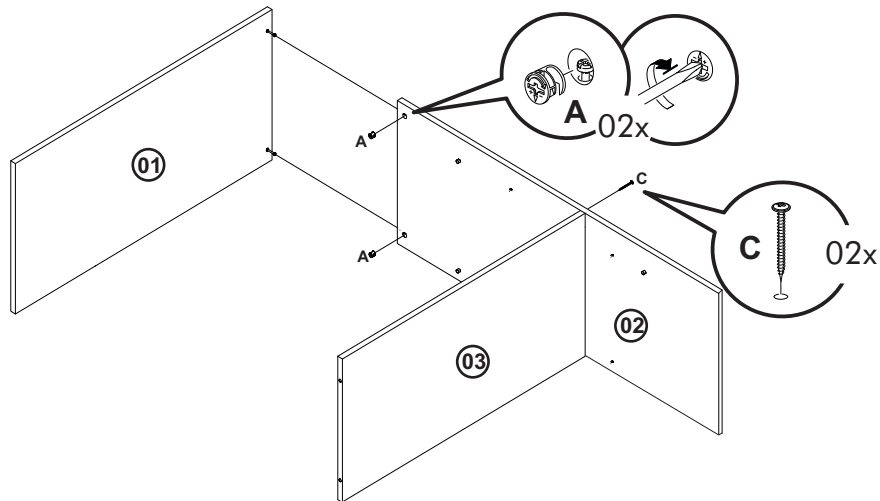


### STEP 1



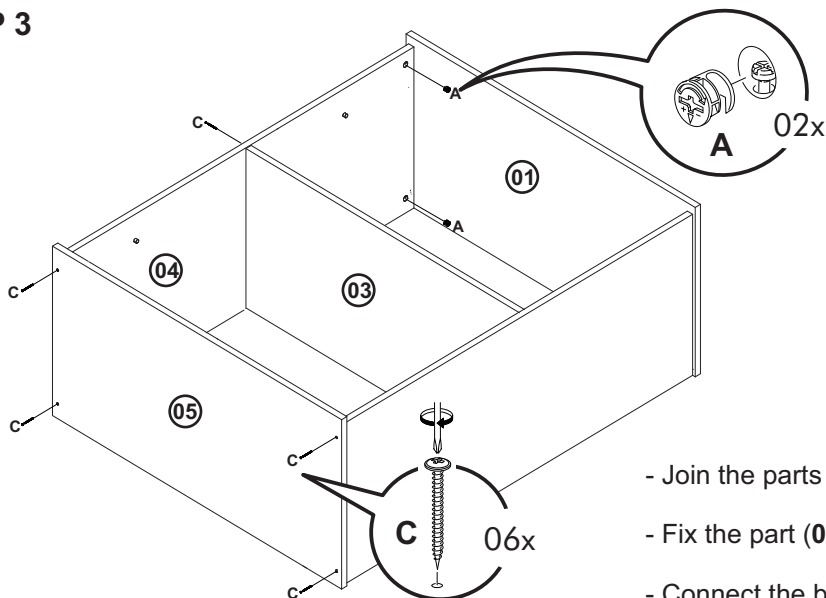
- Insert the hardware (B) on the pieces (01, 02 and 04).
- Insert the accessory (H) on the parts (02 and 04).

### STEP 2



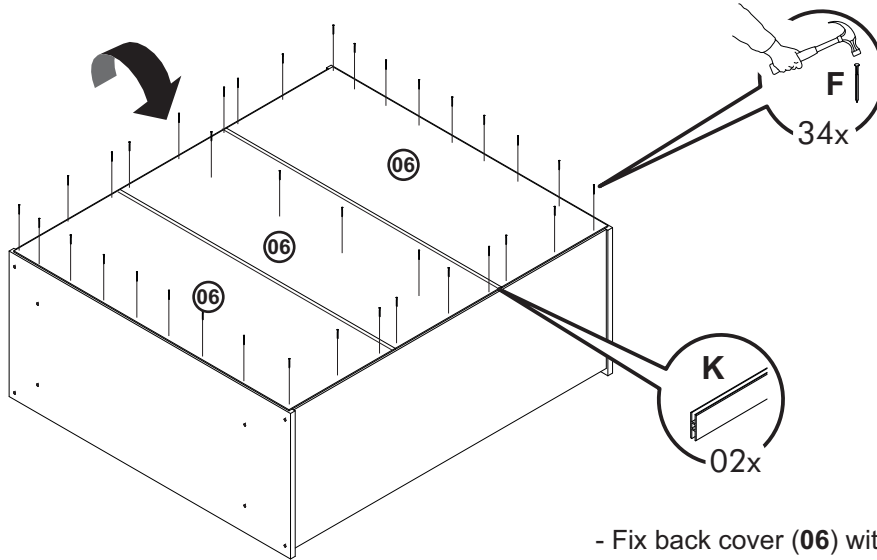
- Join the parts (01 and 02) with hardware (A).
- Fix the part (03) into part (02) with a bolts (C).

### STEP 3



- Join the parts (04 and 01) with the hardware (A).
- Fix the part (03) into part (04) with a bolts (C).
- Connect the base (05) whit bolts (C).

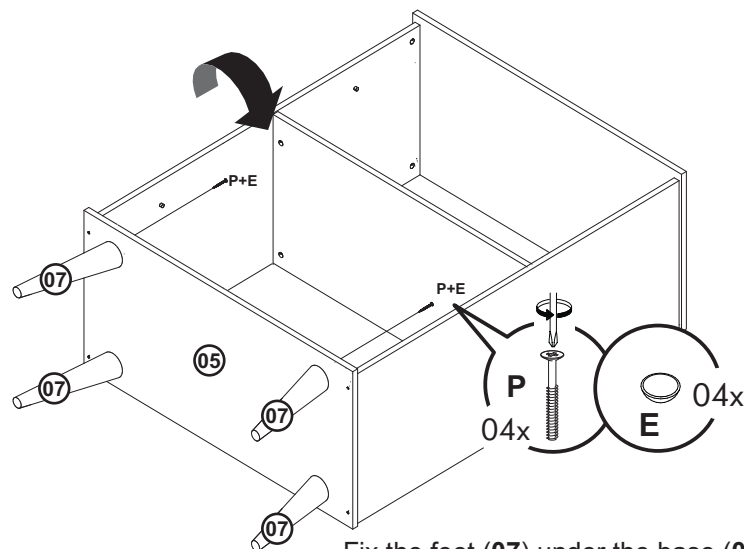
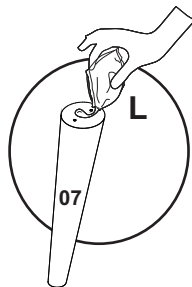
### STEP 4



- Fix back cover (06) with nails (F).
- Insert the hardware (K) among pieces (06).

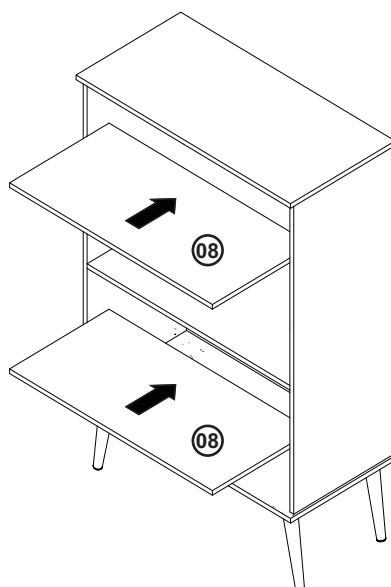
### STEP 5

  
USE THE GLUE (L)  
BEFORE FASTENING  
THE FEET (07).



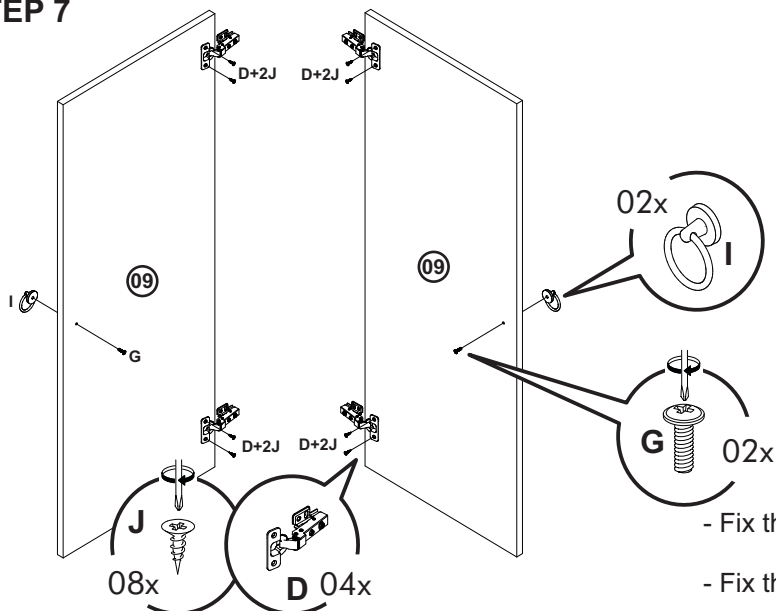
- Fix the feet (07) under the base (05), using bolts (P).
- Apply the plastic covers (E) on top of the bolts (P)

### STEP 6

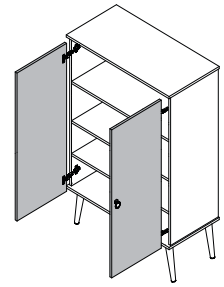


- Insert the shelves (08) shown in image.

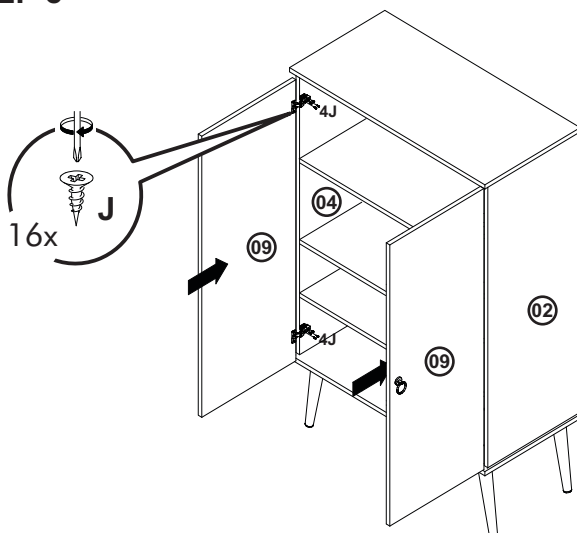
## STEP 7



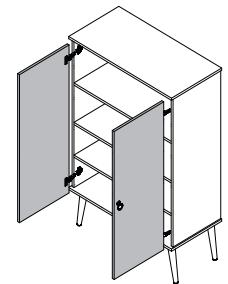
- Fix the hinges (D) in the doors (09) with bolts (J).
- Fix the handles (I) in the doors (09) with bolts (G).



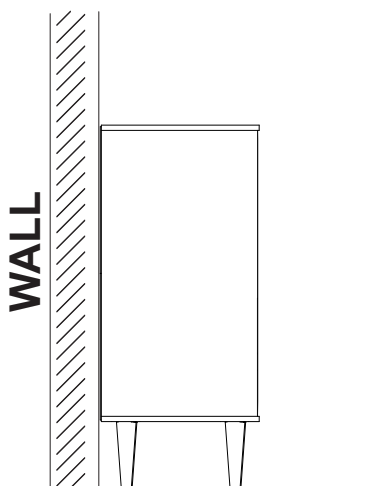
## STEP 8



- Fix the hinge connectors (D) of the doors (09) in the parts (02 and 04) with a bolts (J), taking the marking as reference for correct positioning.



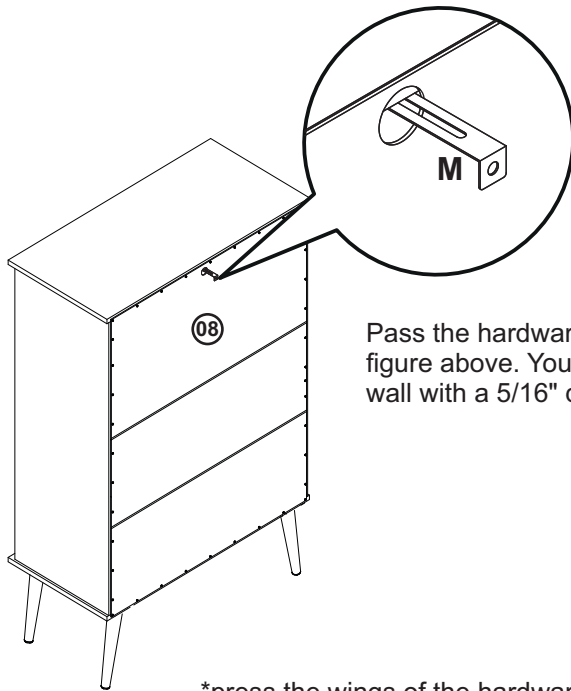
## STEP 9



### Attention! This step is very important!

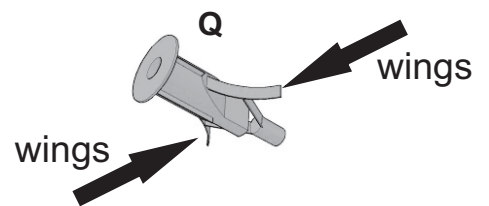
You need to attach the Shoe Closet on the wall to avoid any tip over risk. Follow the procedures as showed below.

Approach as close  
as possible to the wall

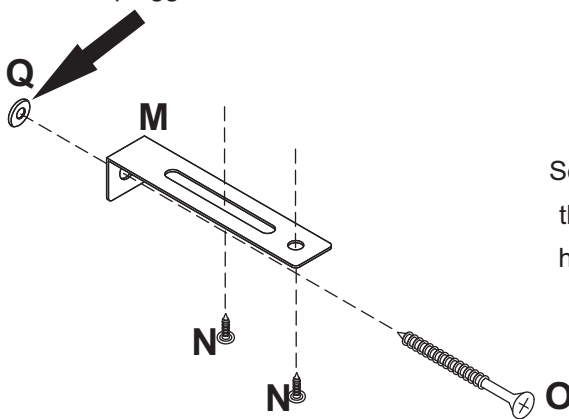


Pass the hardware **M** through the hole of the part **08** as showed in the figure above. You will need a pencil to mark where you should drill the wall with a 5/16" drill bit to put in the hardware **Q**.

\*press the wings of the hardware **Q** to put in the hole that you drilled in the wall.



Hardware **P**, plugged in the wall.



Screws the hardware **O** passing through the hardware **M** until the hardware **Q**.

Screws the hardware **N** passing through the hardware **M** and fit in below the piece **01**.