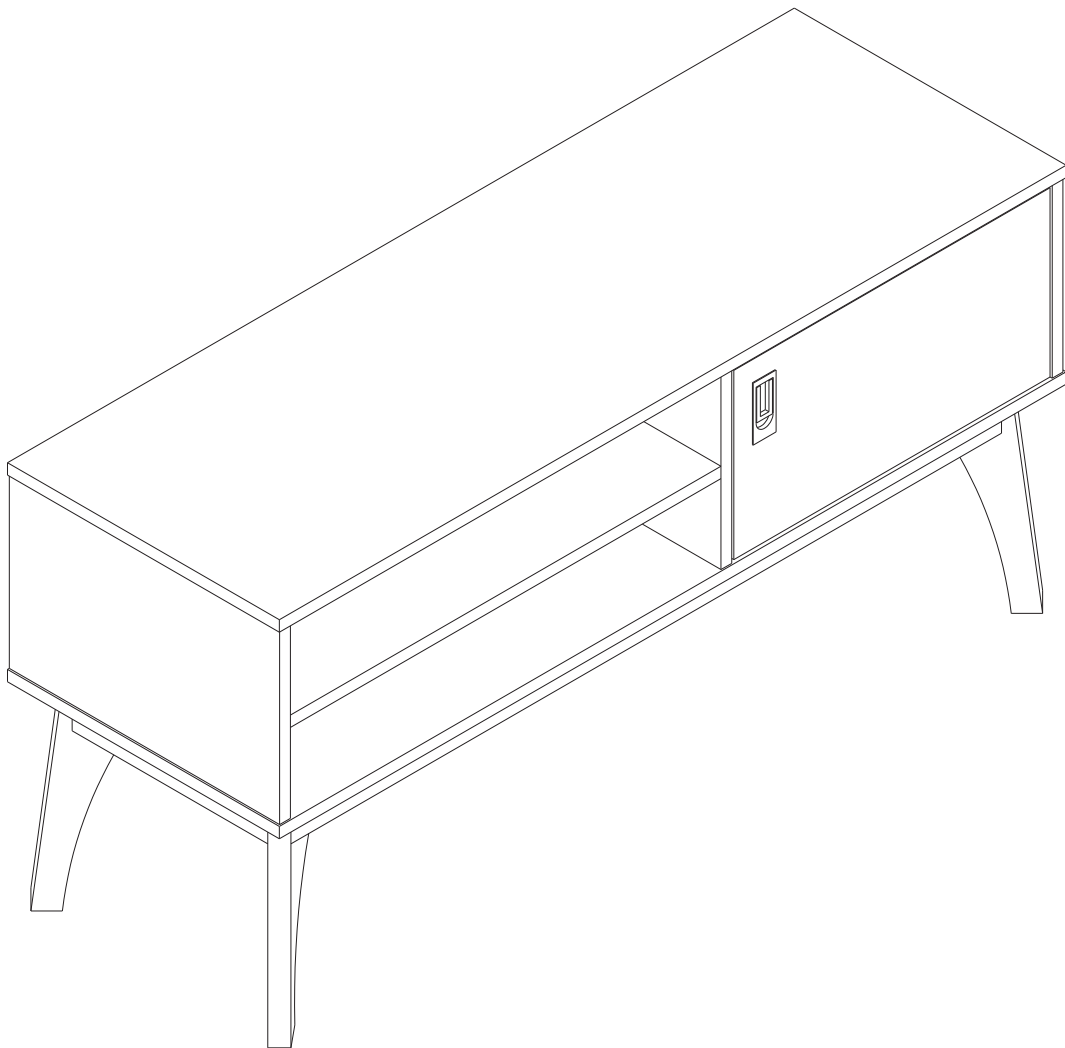


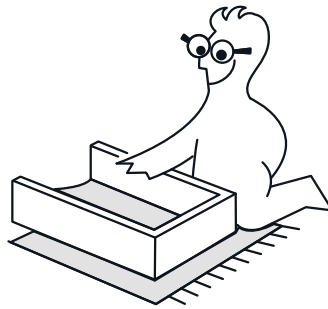
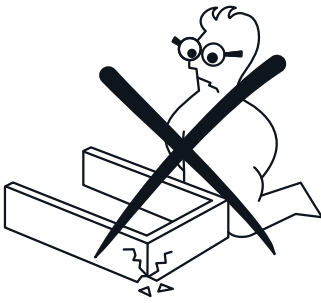


MANHATTAN
COMFORT

Jackie 43.3" TV Stand

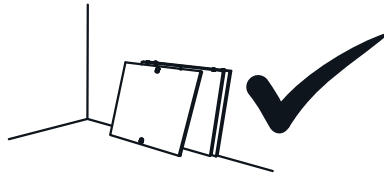
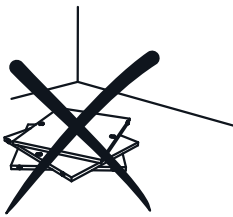


SKU# CS96708 - CS96709

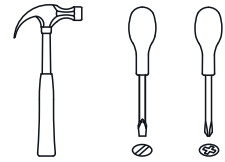


For Best Results

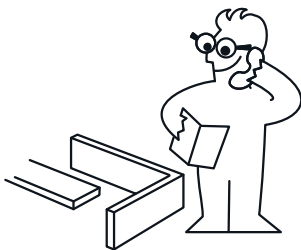
- Do not throw away packaging materials until assembly is complete.
- Assemble item on a soft surface, such as cardboard or carpet, to protect finish.
- Proper assembly requires two people.



Tools
Required



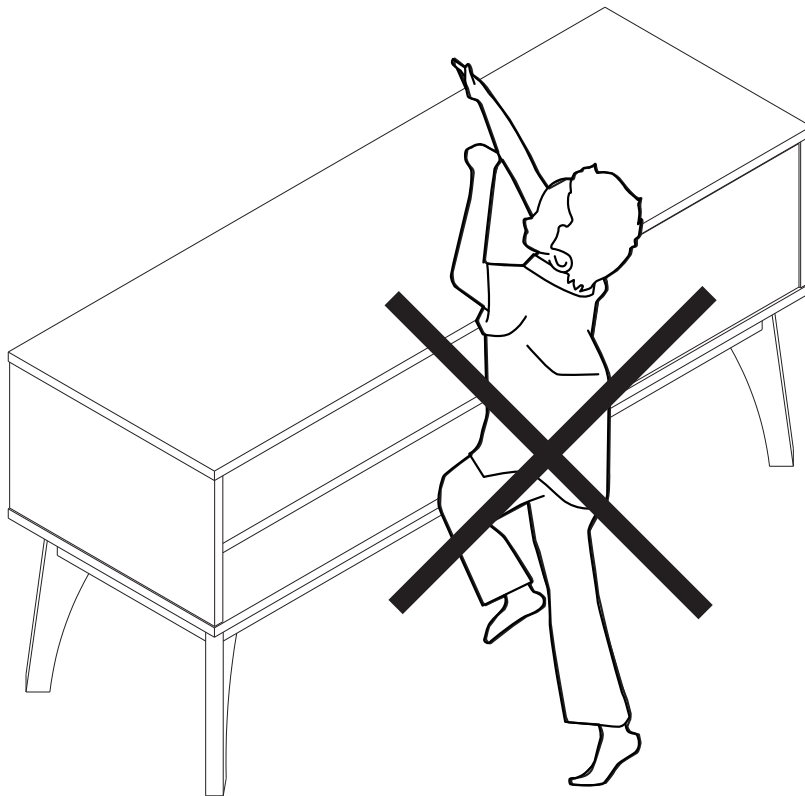
View our assembly video online
www.manhattancomfort.com



Stuck? Questions? We are here to help.
1-888-230-2225
help@manhattancomfort.com

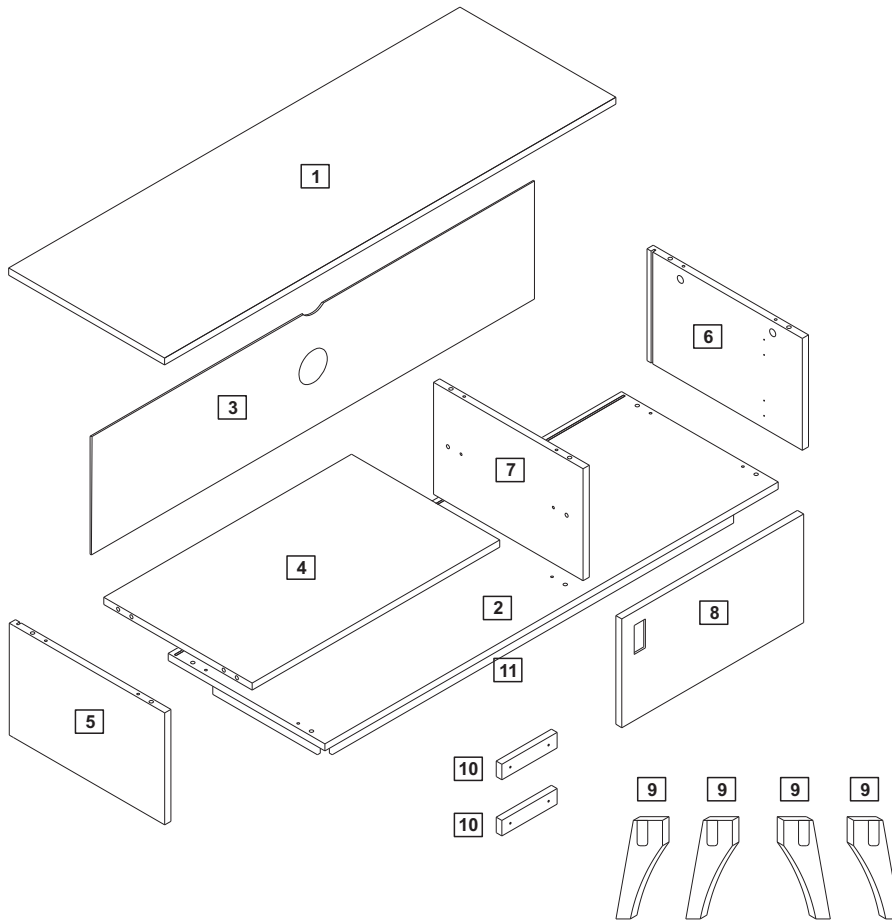
Avoid accidents

After finishing the assembly of the TV stand
use the indicated safety bracket
to keep it fixed in the wall.

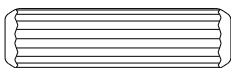
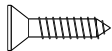



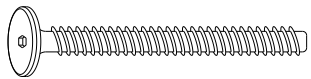
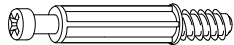

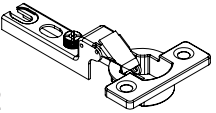
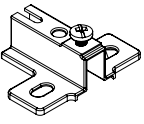
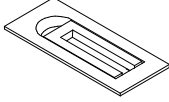
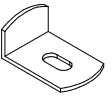

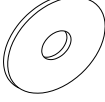




Do not climb or lean
on the TV stand.

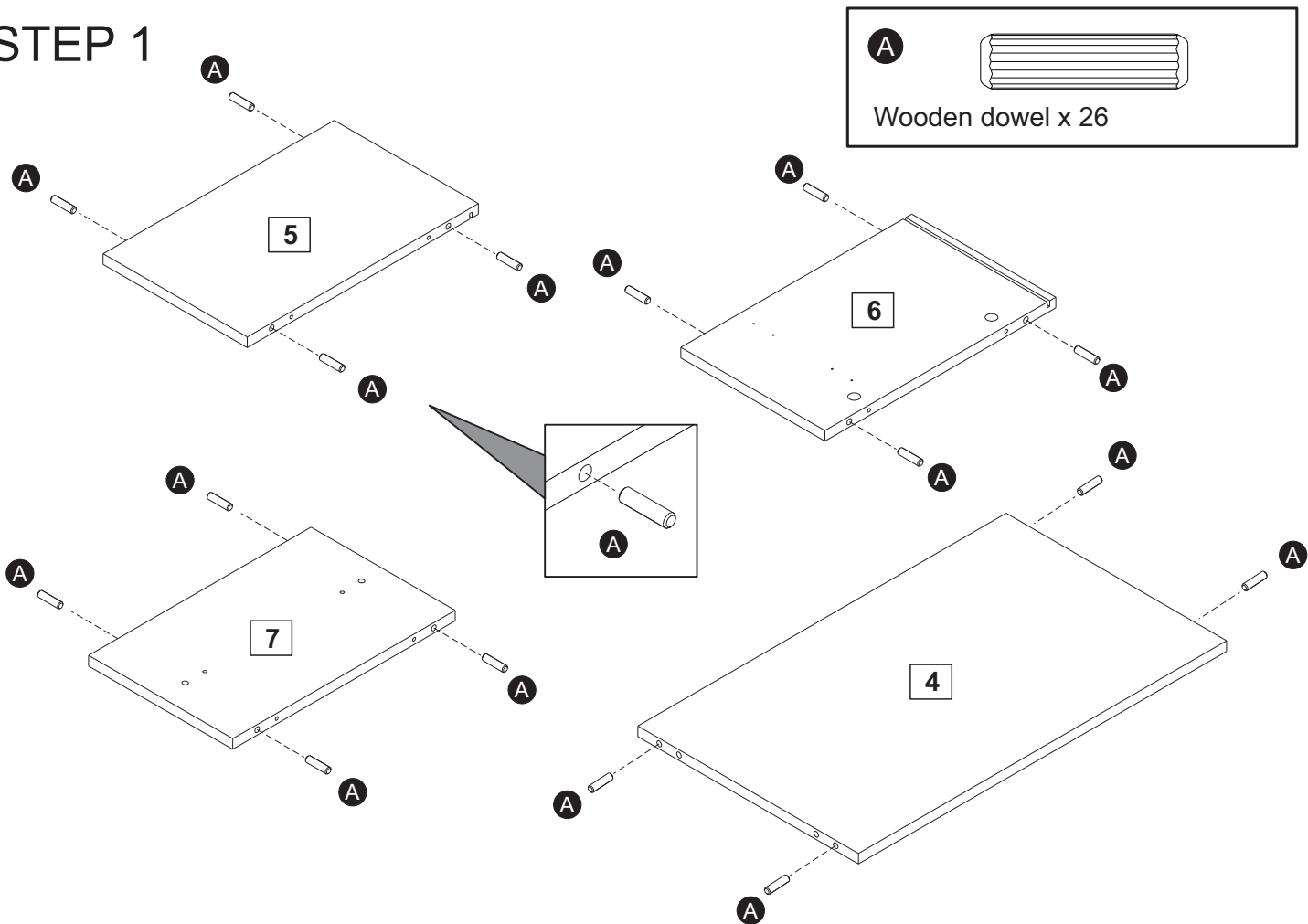
Included in this Package

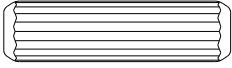


- 1** Top Board x1
- 2** Base Board x1
- 3** Blackplate x1
- 4** Shelves x1
- 5** Left Side x1
- 6** Right Side x1
- 7** Central Side x1
- 8** Door x1
- 9** Feet x4
- 10** Doors Support x2
- 11** Foot Structure x1

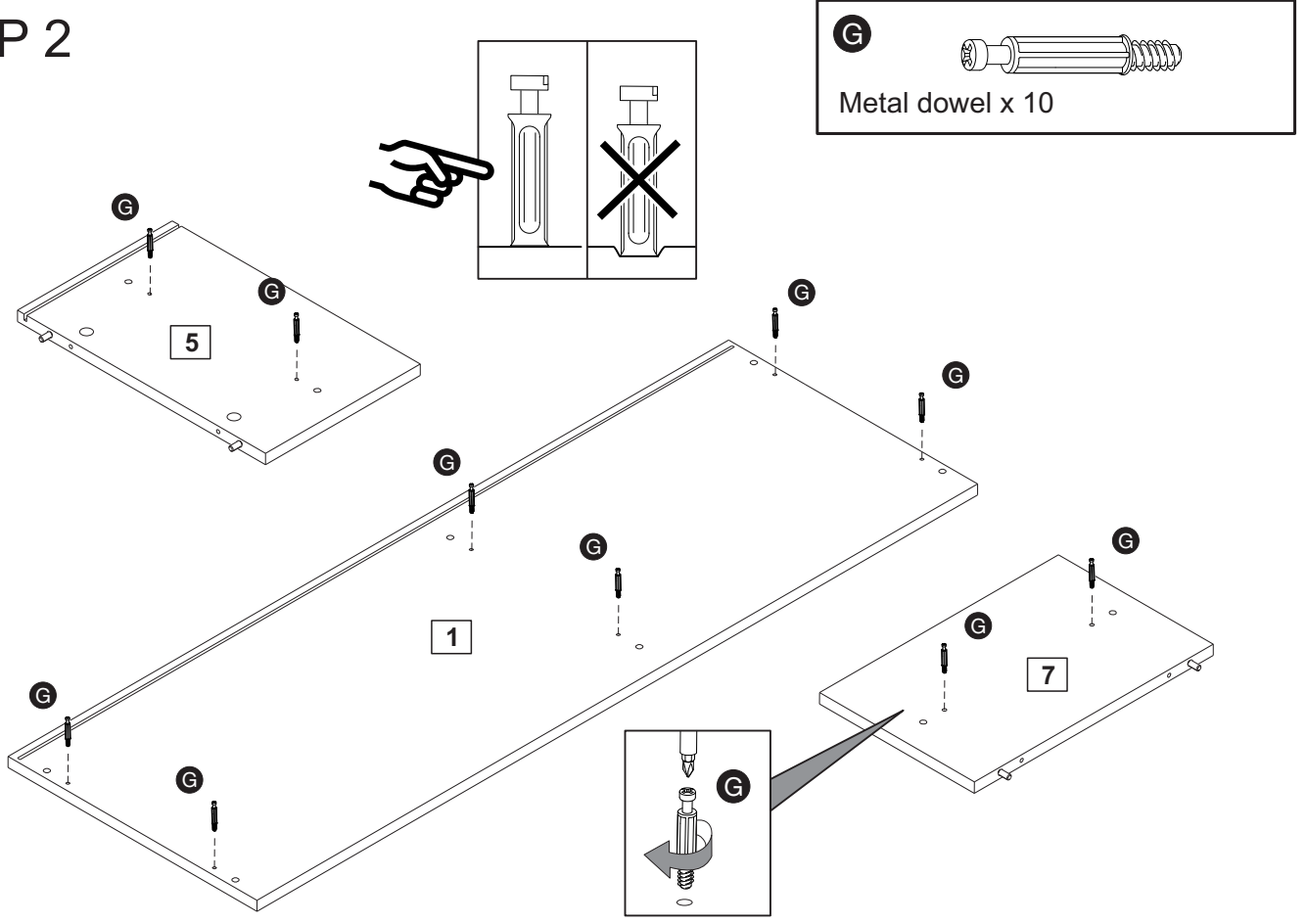
A  Wooden dowel x 16	B  12mm Screw x 2	C  14mm Screw x 10
D  30mm Screw x 6	E  40mm Screw x 6	F  60mm Bolt x 8
G  Metal dowel x 10	H  Locking nut x 10	J  Door Hinge x 2
K  Hinge Plate x 2	L  Door Handle x 1	M  Metal Bracket x 1
N  Allen key x 1	O  Metal Bracket x 2	P  Wall strap x 1
Q  35mm Screw x 8		

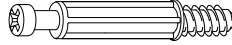
STEP 1



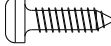
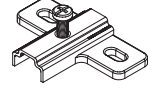
A 
Wooden dowel x 26

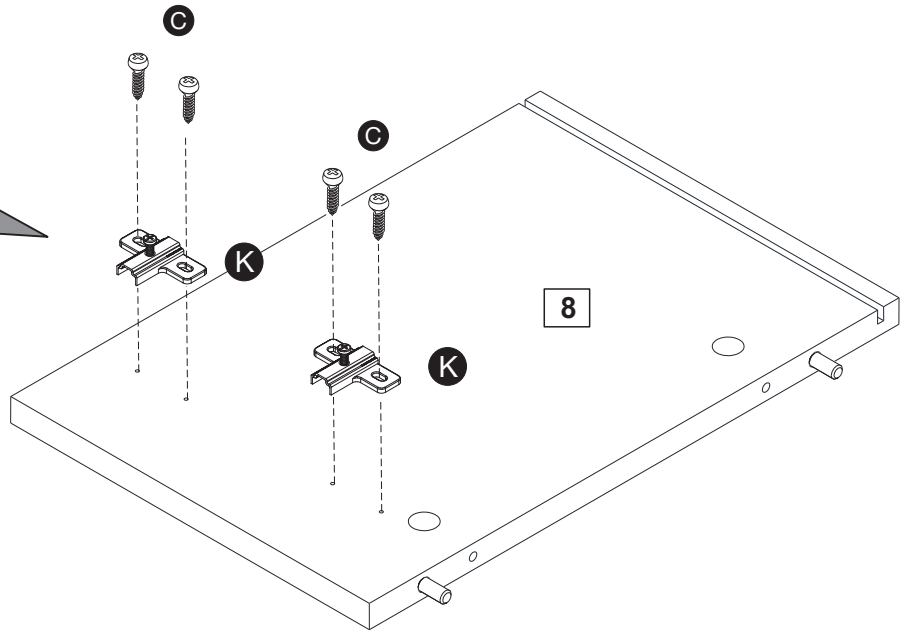
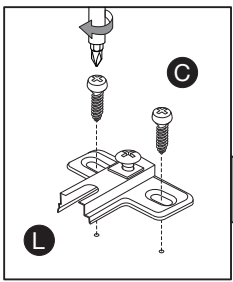
STEP 2



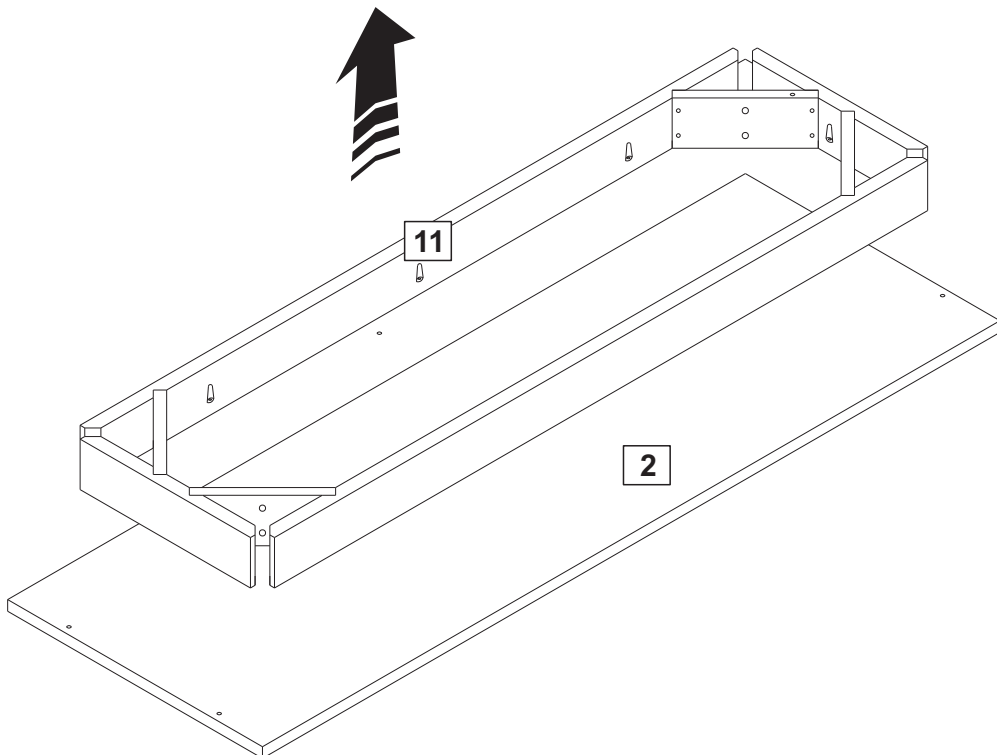
G 
Metal dowel x 10

STEP 3

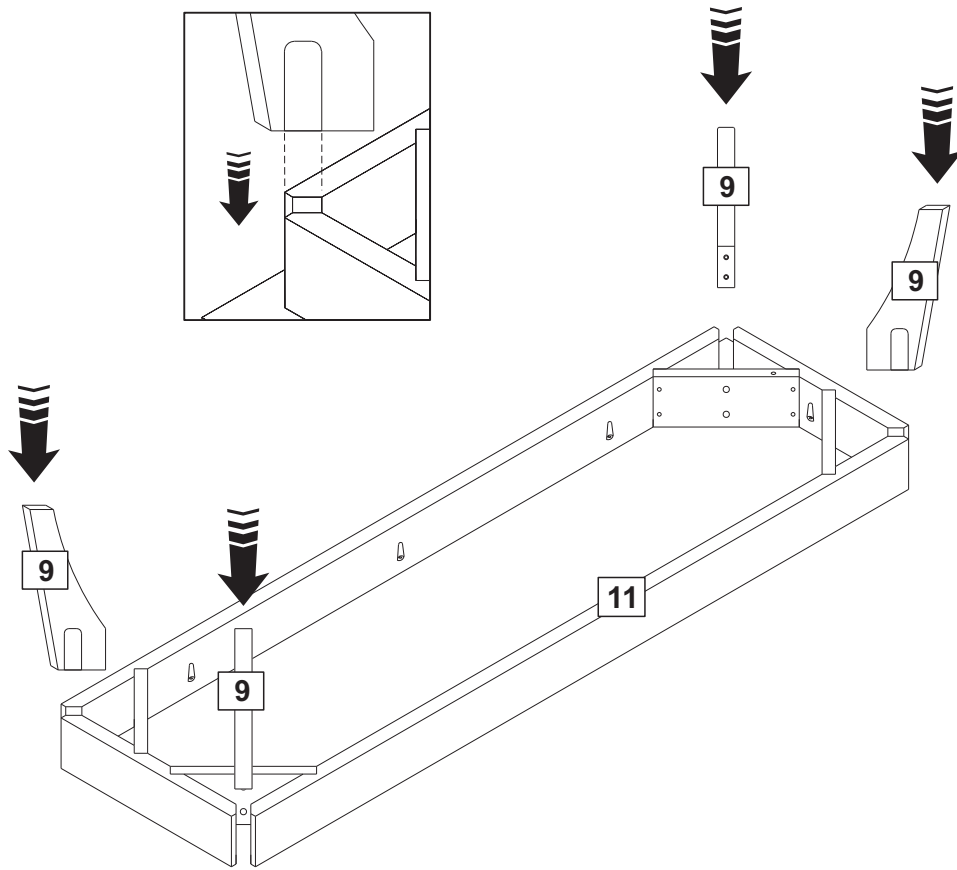
<p>C  14mm Screw x 4</p>	<p>K  Hinge Plate x 2</p>
--	---



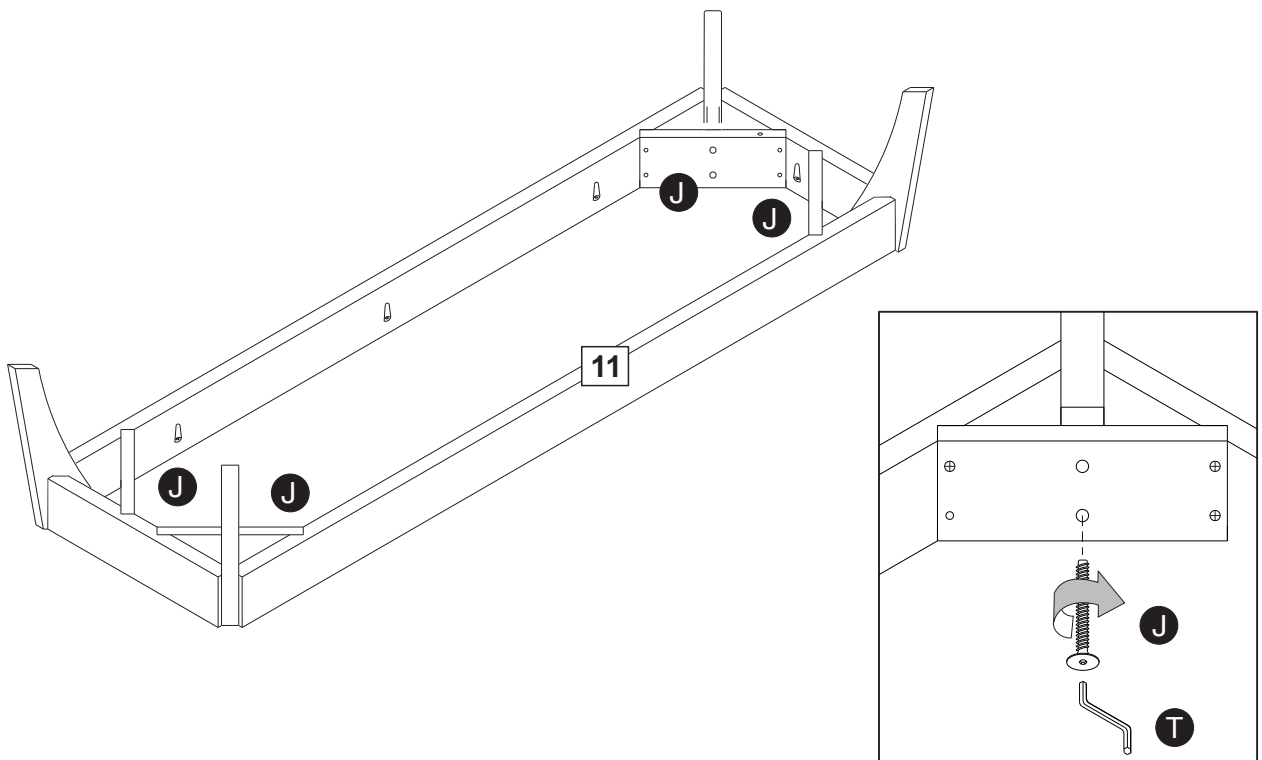
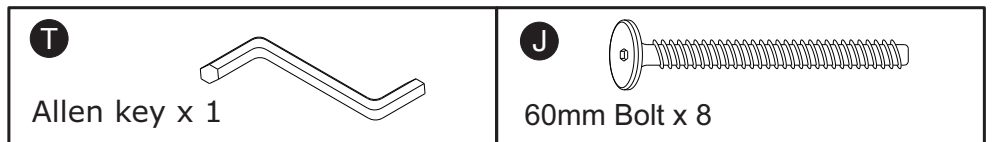
STEP 4



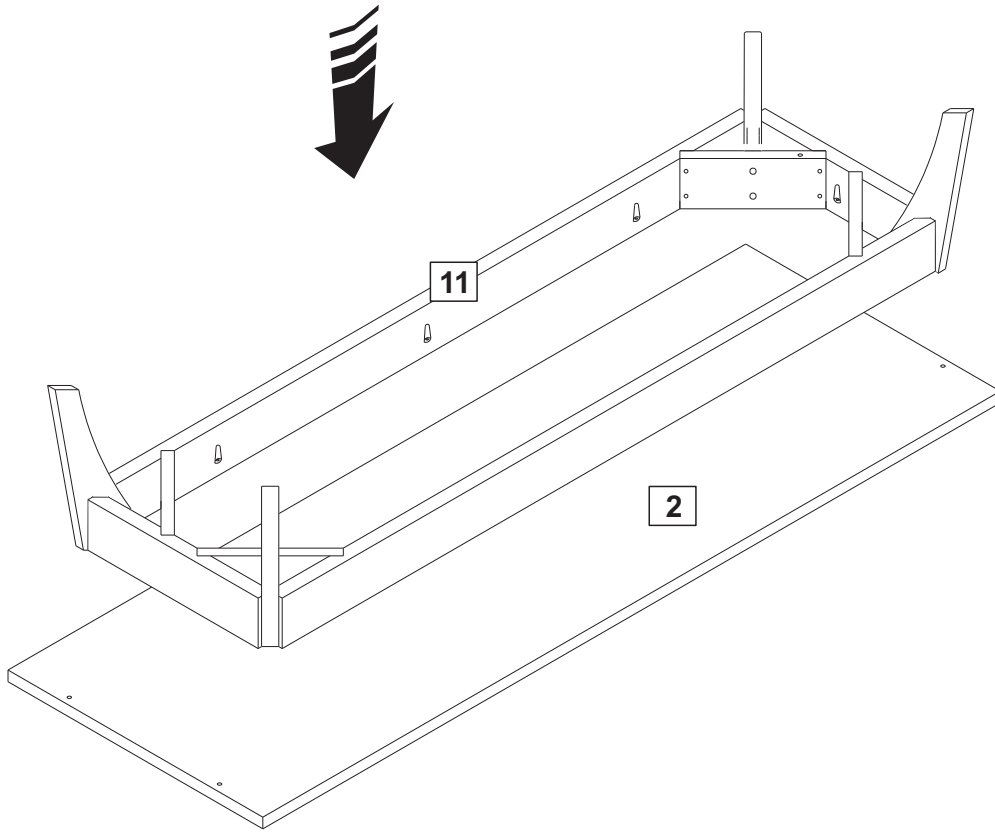
STEP 5



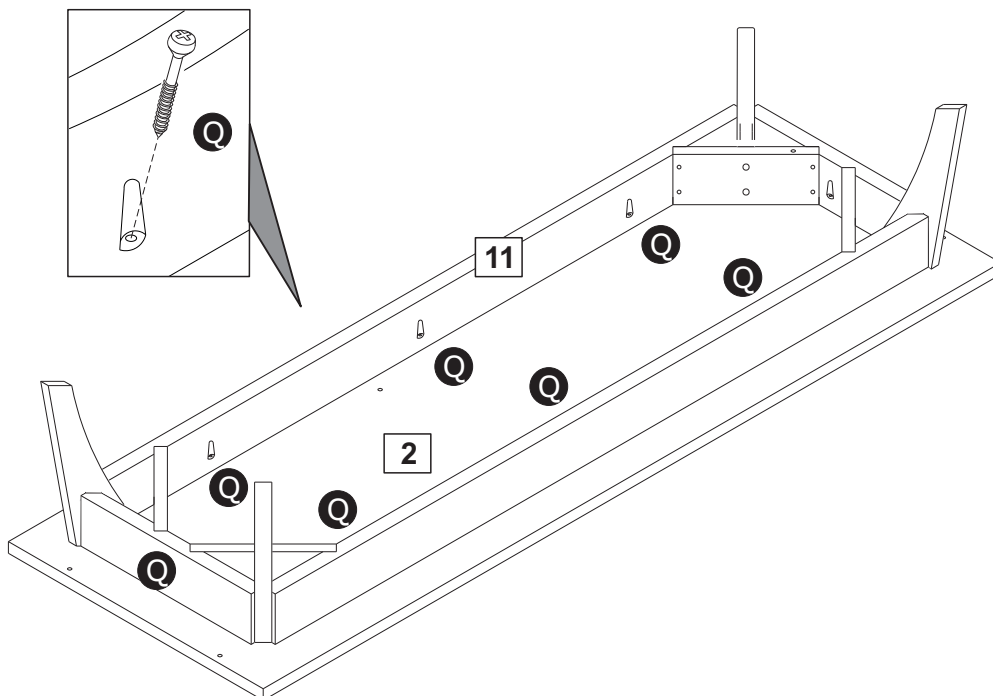
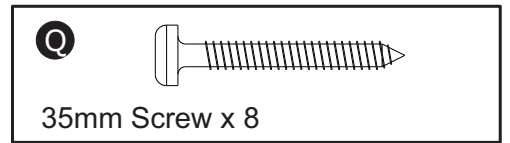
STEP 6



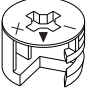
STEP 7

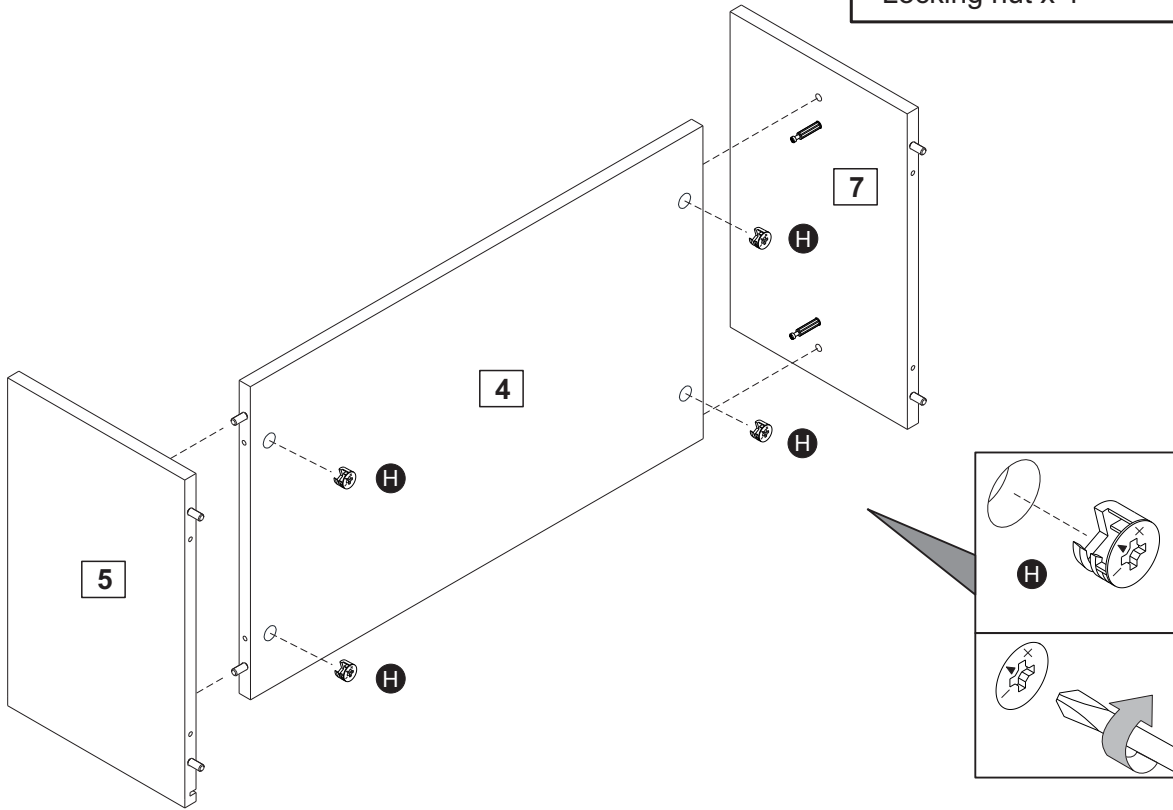


STEP 8

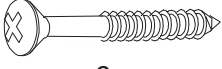


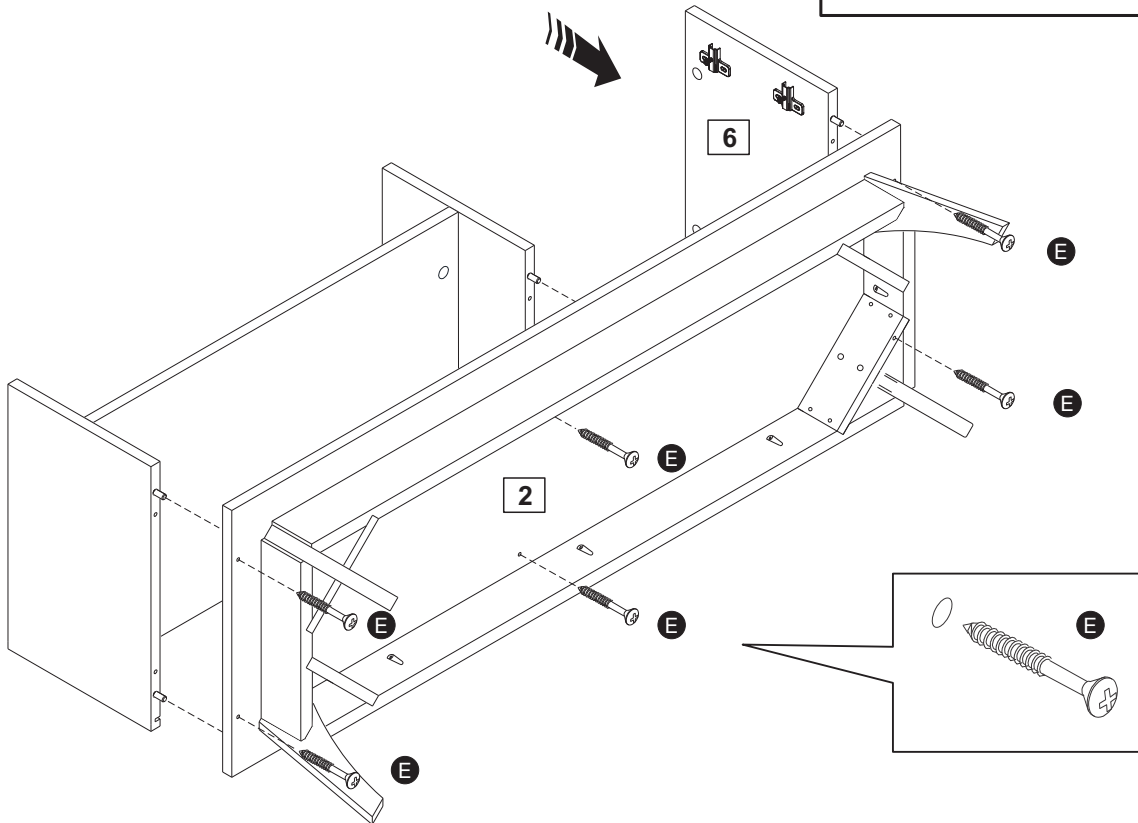
STEP 9

H 
Locking nut x 4

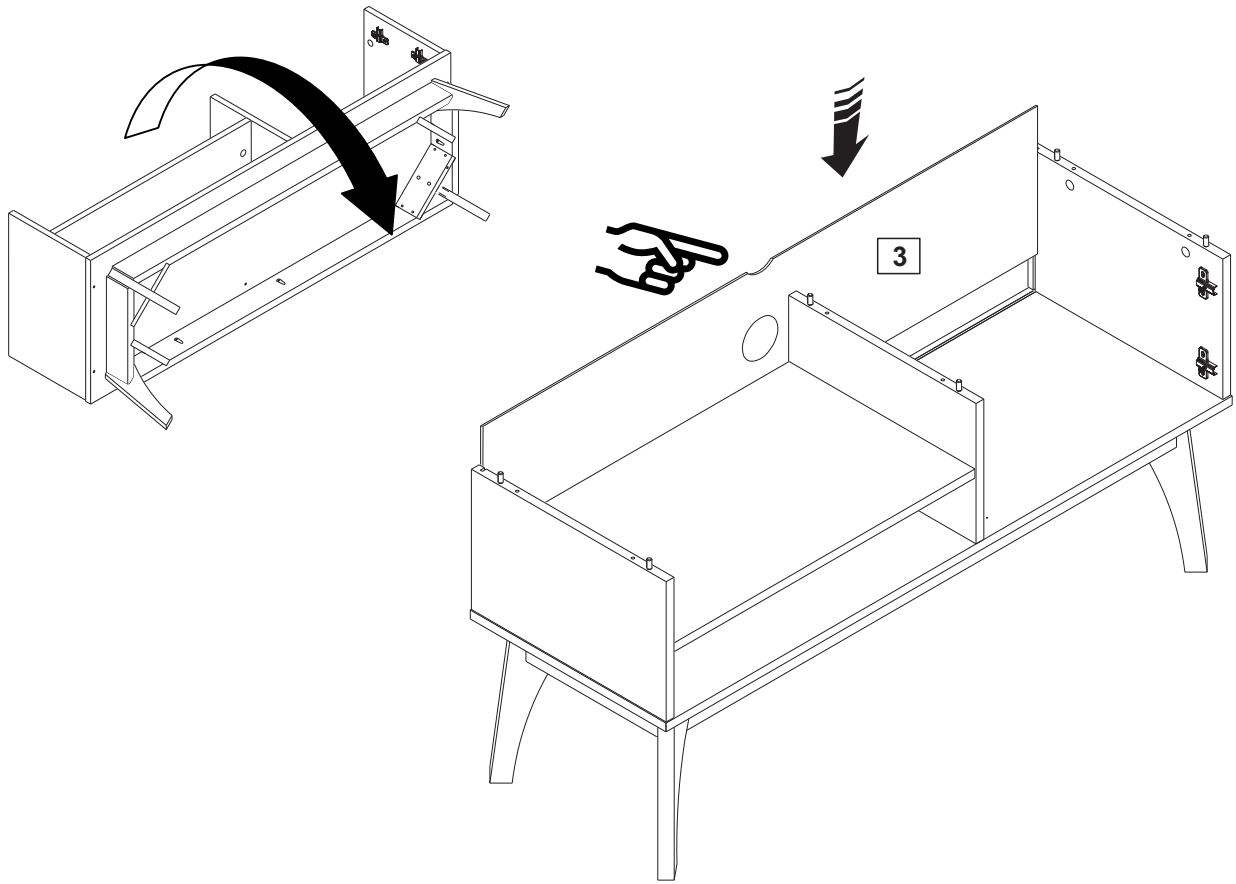


STEP 10


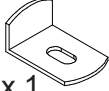
E 
40mm Screw x 6

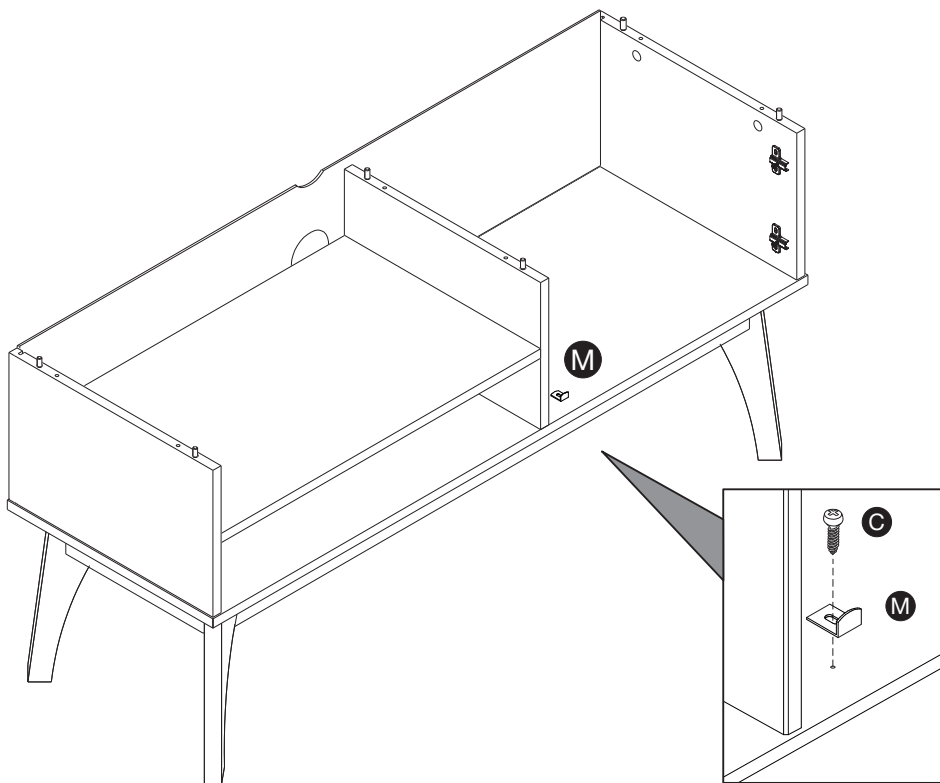


STEP 11

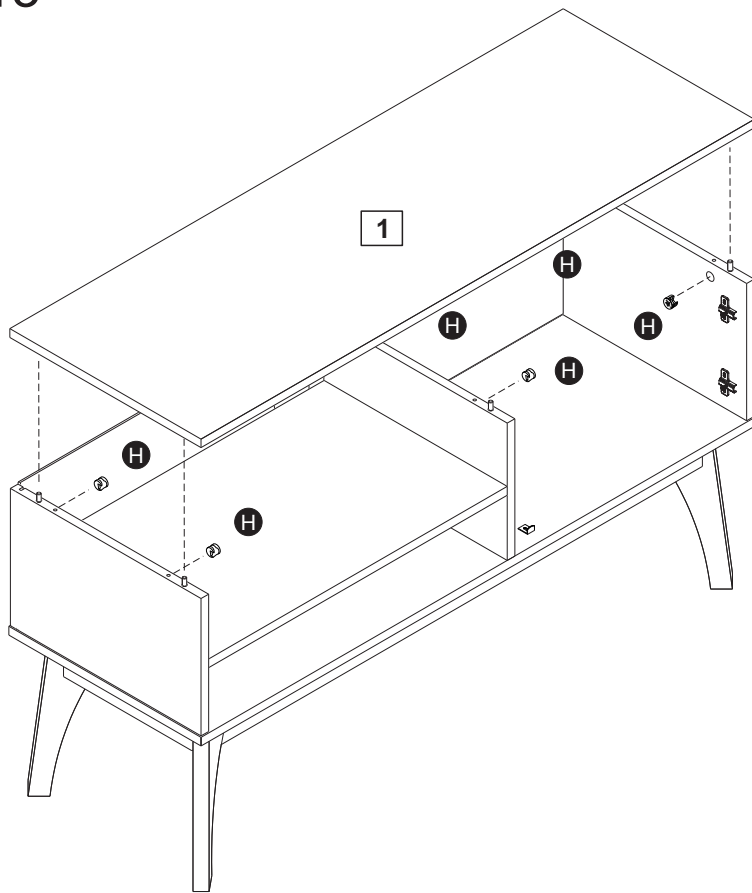


STEP 12

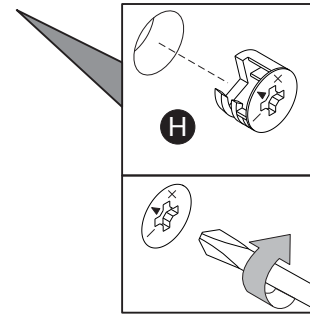
C  14mm Screw x 1	M  Metal Bracket x 1
---	---



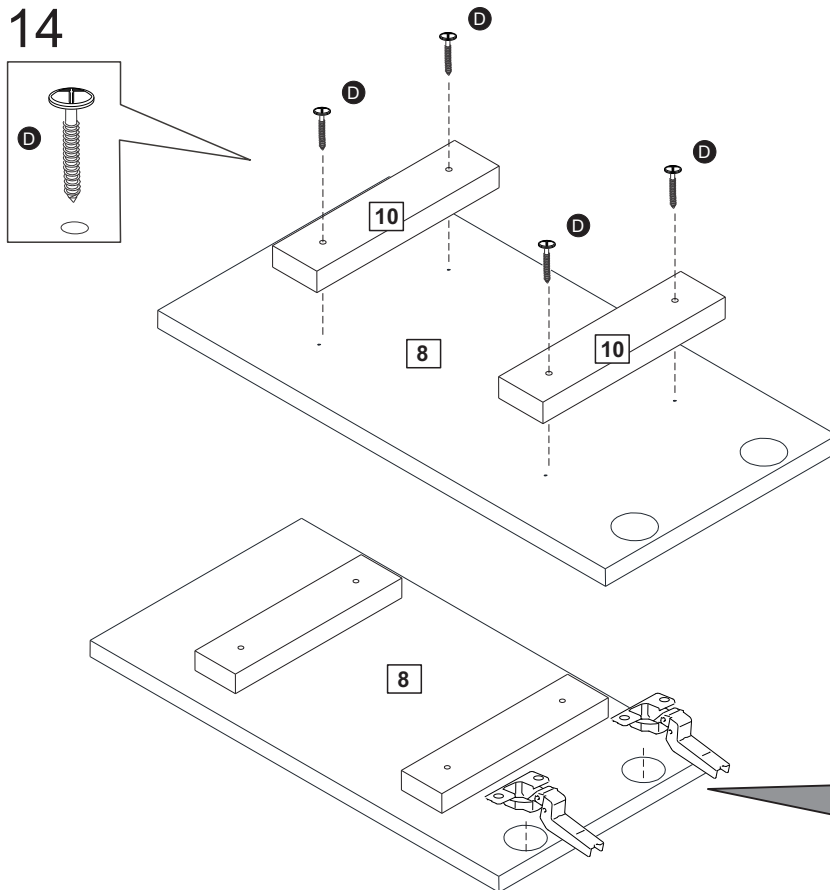
STEP 13



H Locking nut x 6



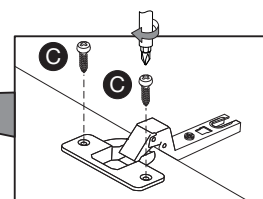
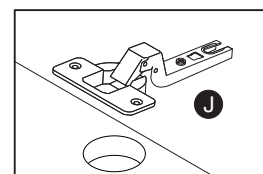
STEP 14



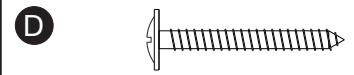
D 30mm Screw x 4

J Door Hinge x 2

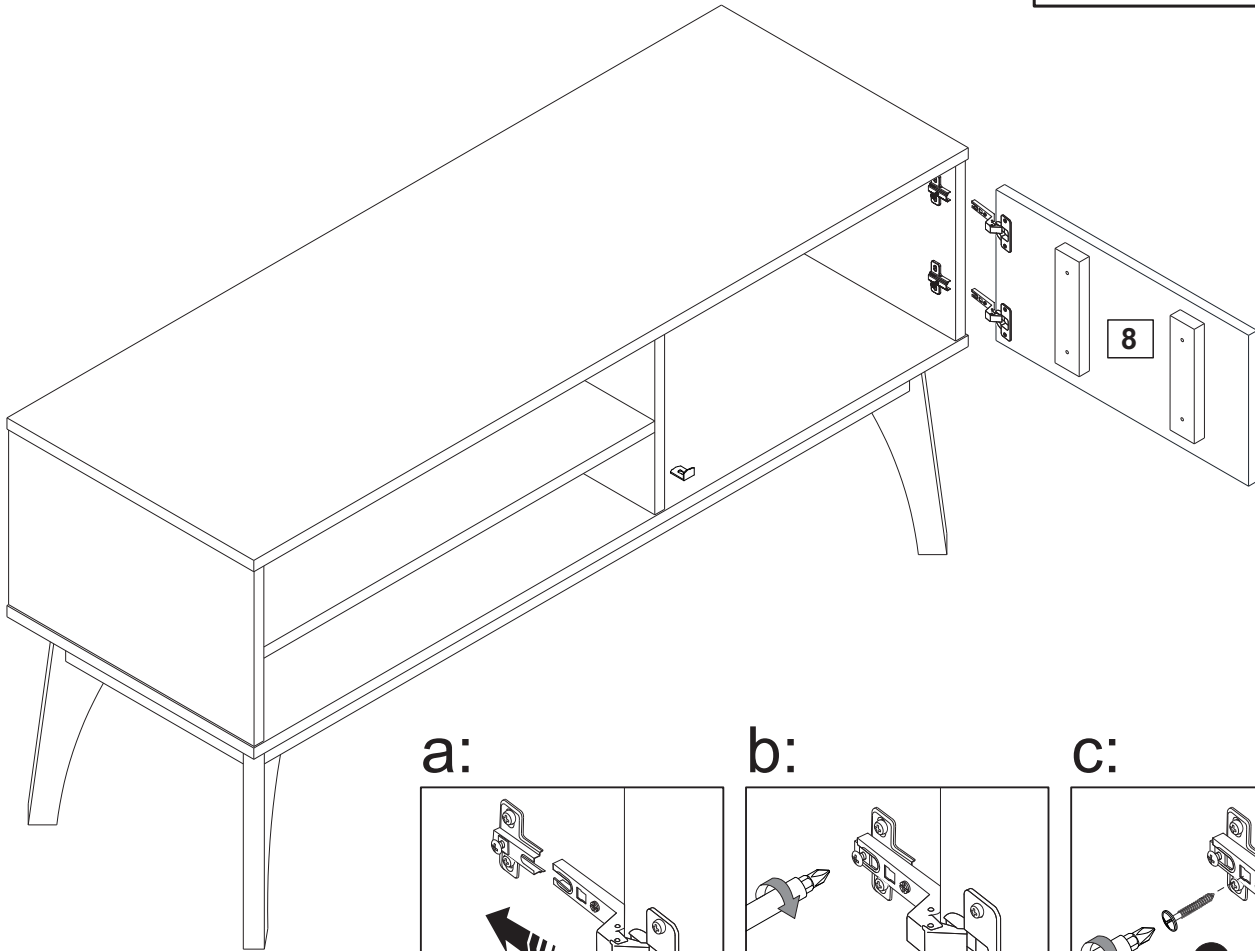
C 14mm Screw x 4



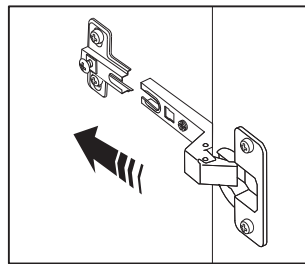
STEP 15



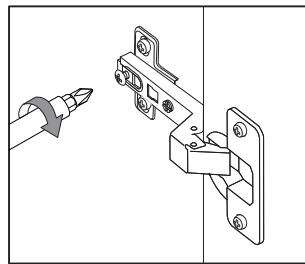
30mm Screw x 2



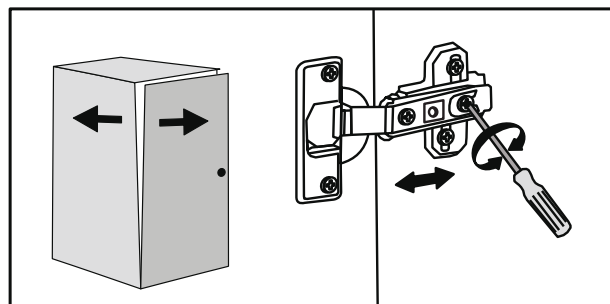
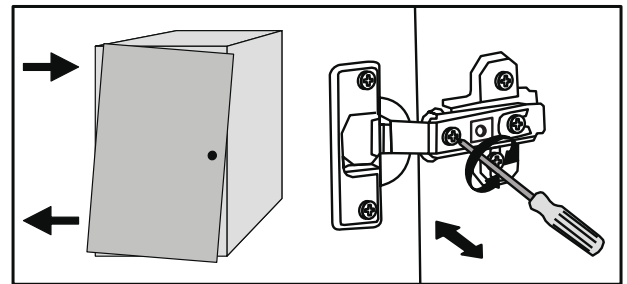
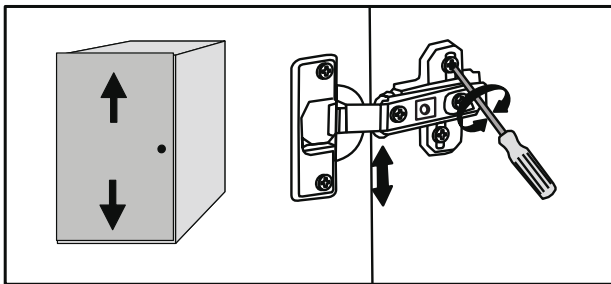
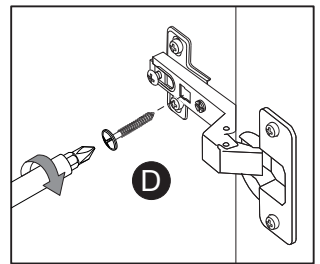
a:




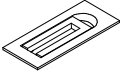
b:

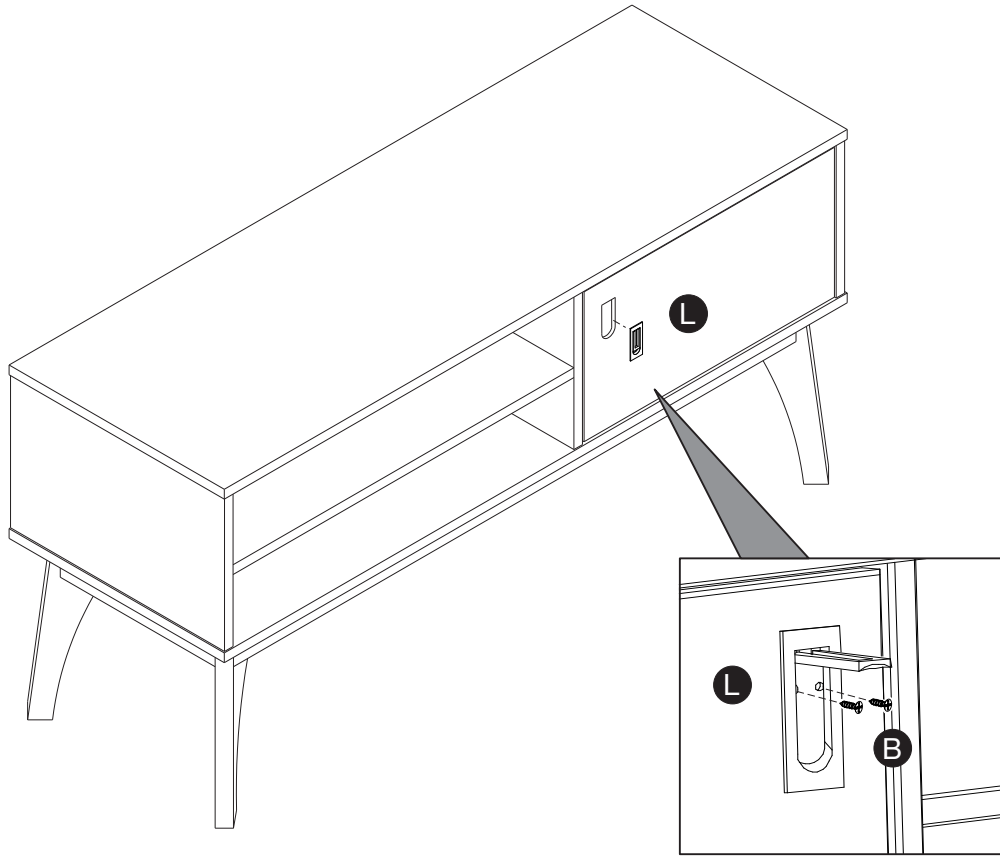


c:

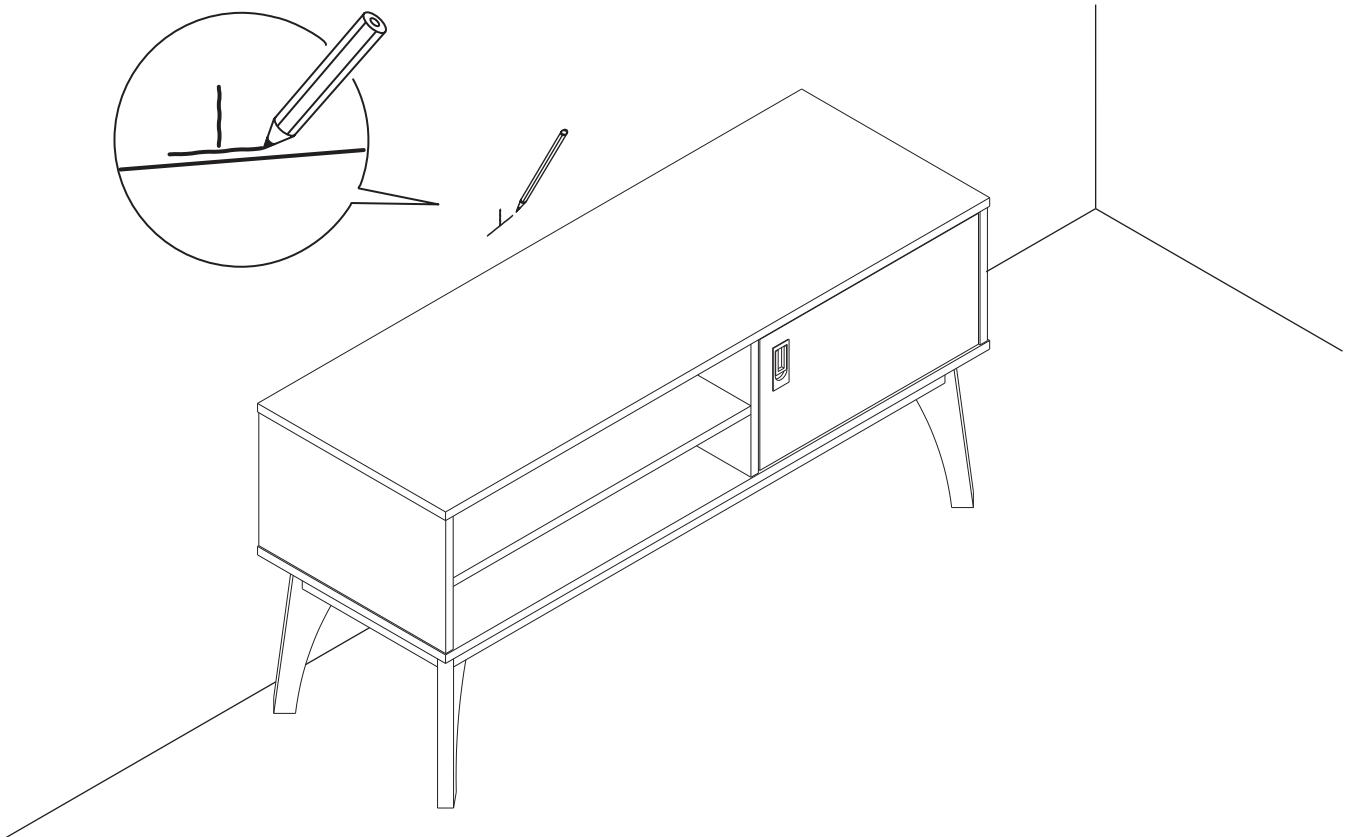


STEP 16

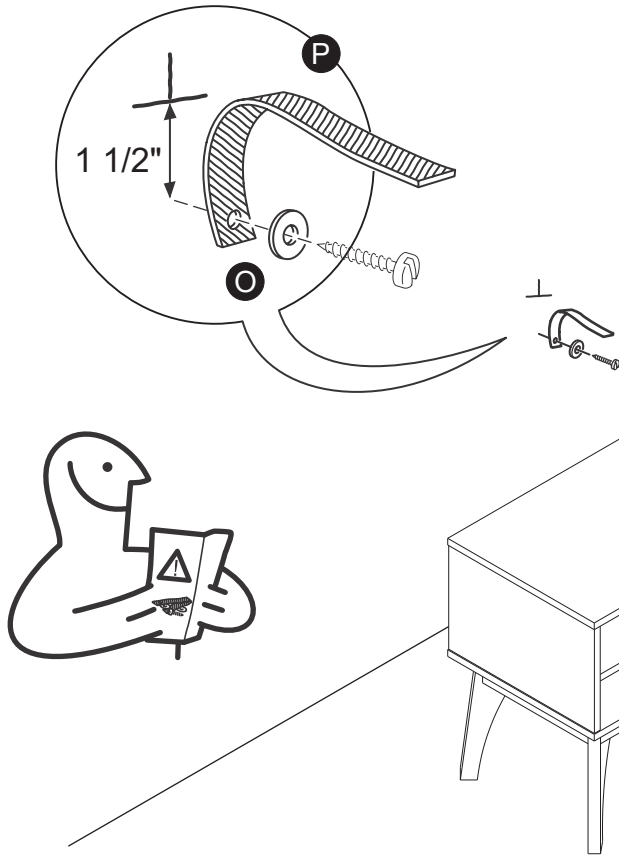
B	
12mm Screw x 2	
L	
Door Handle x 1	



STEP 17

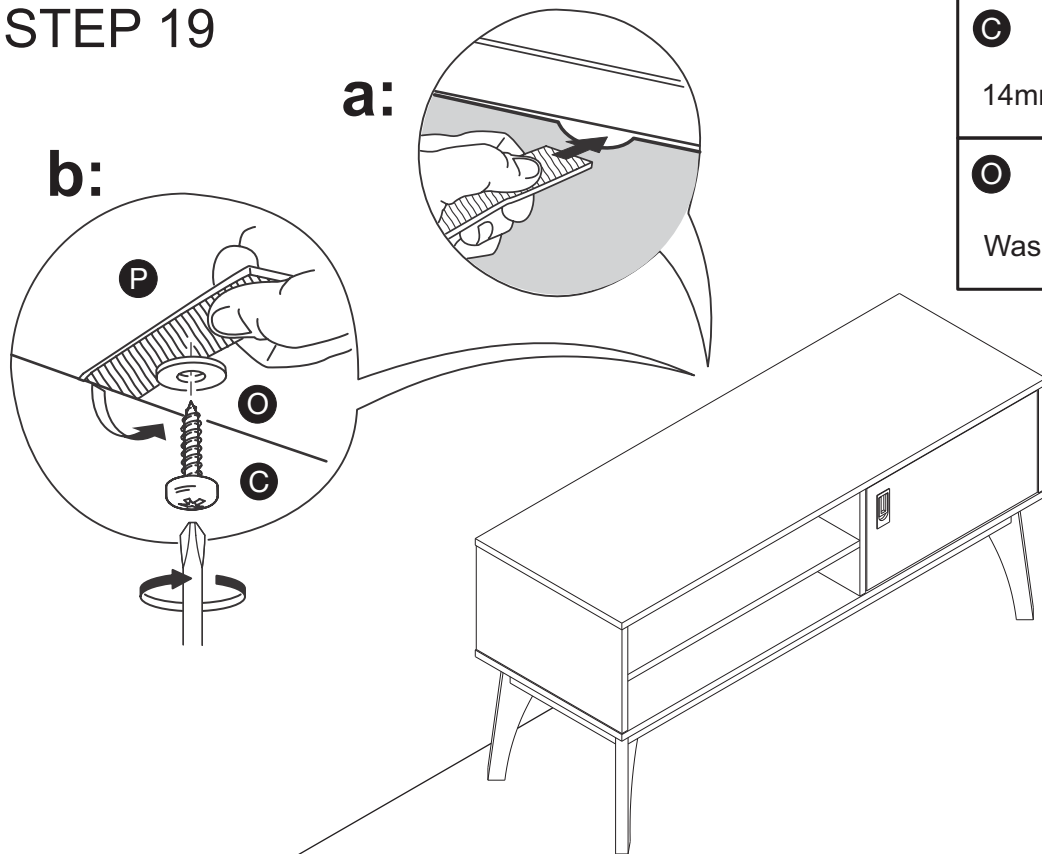


STEP 18



- O** Washer x 1
- P** Wall strap x 1

STEP 19

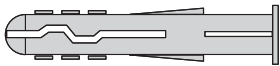


- C** 14mm Screw x 1
- O** Washer x 1

A guide to - Wall Mounting & Fixings

Important note:

If plastic wall plugs are supplied with your product:



- these are only suitable for use in masonry walls.

If you are in any doubt about the correct wall plugs for your wall, seek professional advice.


Failure of the product due to using incorrect fixings is the responsibility of the installer.



Important: When drilling into walls always check that there are no hidden wires or pipes etc.

Make sure that the screws and wall plugs being used are suitable for supporting your unit. Consult a qualified tradesperson if you are unsure.

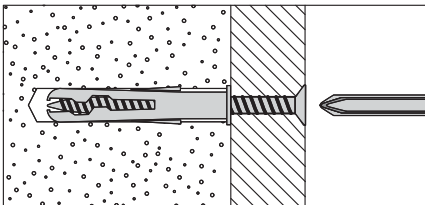
Hints:

- 1: General rule:  Always use a larger screw and wall plug if you are not sure.
- 2: Ensure you use the recommended drill bit to match the wall plug and hole size.
- 3: Ensure you drill the hole horizontally, do not force the drill or enlarge the hole.
- 4: Take extra care when drilling high walls, ceilings and ceramic tiles. Ensure wall plugs are inserted beyond the thickness of the ceramic tiles to avoid the tiles splitting or cracking.
- 5: Ensure wall plugs are well fitted and are a tight fit in the drilled hole.

Types of walls

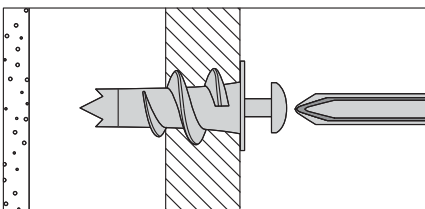
You can use one of the following types of wall plug if your walls are made of brick, breeze block, concrete, stone or wood.

No.1 "General Purpose" wall plug



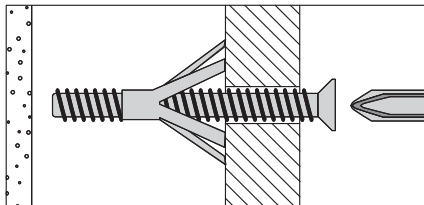
Generally aerated blocks should not be used to support heavy loads, use a specialist fitting in this case. For light loads, general purpose wall plugs can be used.

No.2 "Plasterboard" wall plug



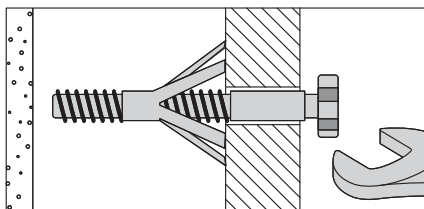
For use when attaching light loads on to plasterboard partitions.

No.3 "Cavity Fixing" wall plug



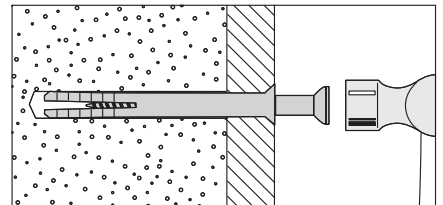
For use with plasterboard partitions or hollow wooden doors.

No.4 "Cavity Fixing-Heavy Duty" wall plug



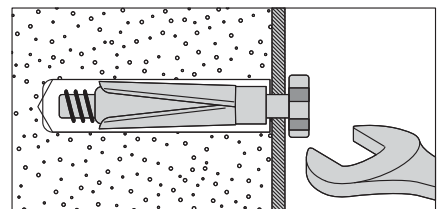
For use when fitting or supporting heavy loads such as shelving, wall cabinets and coat racks.

No.5 "Hammer Fixing" wall plug



For use with walls stuck with plasterboard. The hammer fixing allows it to be fixed to the wall rather than the plasterboard. Always check the fixing is secure to the retaining wall.

No.6 "Shield Anchor" wall plug Heavy loads



For use with heavier loads such as TV & HiFi speakers and satellite dishes etc.



Care & Maintenance

Safety: Always check the fitting and location to ensure your safety in and around the home.

Fitting: From time to time check the fitting to ensure the wall plugs or screws do not become loose.