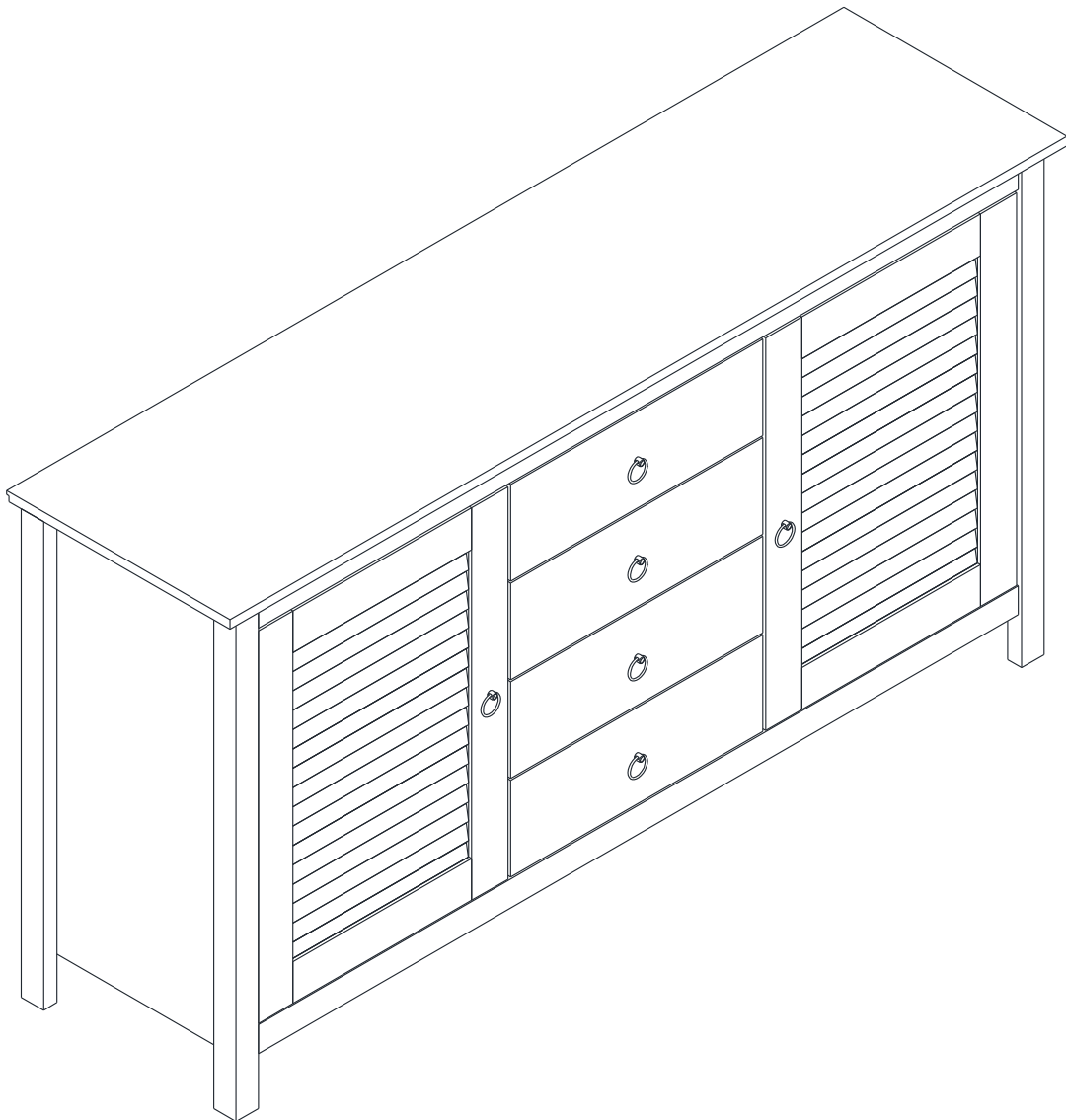


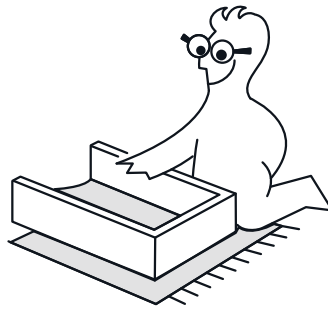
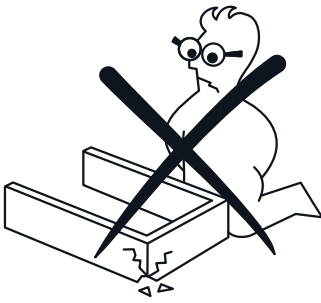


MANHATTAN
COMFORT

Sullivan 59.05" Chest 2.0

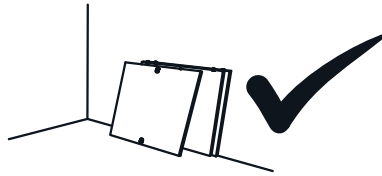
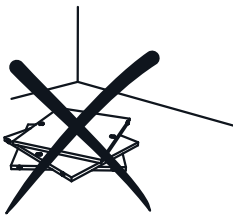


SKU# CS94108

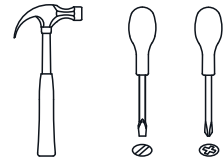


For Best Results

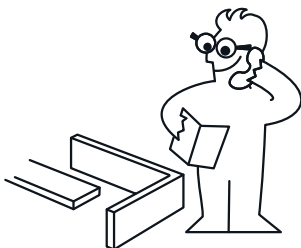
- Do not throw away packaging materials until assembly is complete.
- Assemble item on a soft surface, such as cardboard or carpet, to protect finish.
- Proper assembly requires two people.



Tools
Required



View our assembly video online
www.manhattancomfort.com



Stuck? Questions? We are here to help.
1-888-230-2225
help@manhattancomfort.com

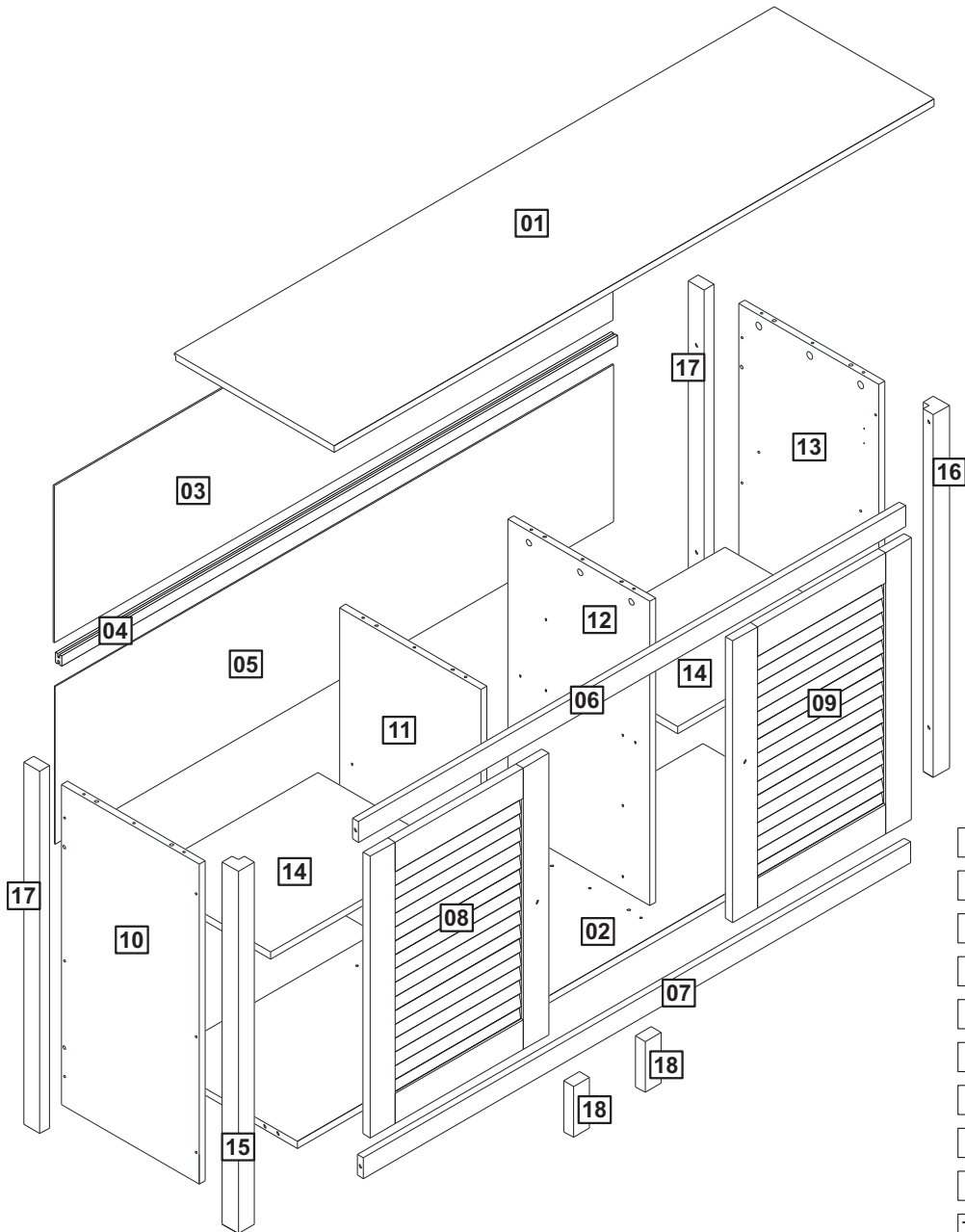
Avoid accidents

After finishing the assembly of the chest,
use the indicated safety bracket
to keep it fixed in the wall.

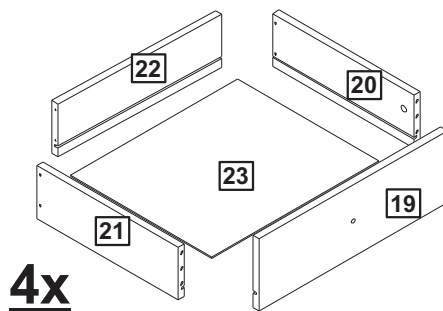
Do not climb or lean
on the chest.



Included in this Package

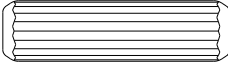
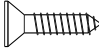


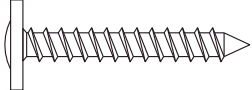

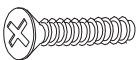

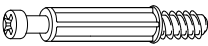


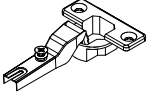
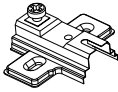
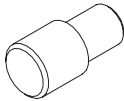
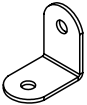
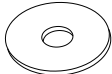



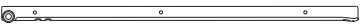

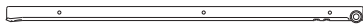
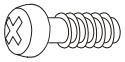


- | | | |
|----|--------------------|----|
| 1 | Top panel | x1 |
| 2 | Bottom panel | x1 |
| 3 | Back panel | x1 |
| 4 | H Profile | x2 |
| 5 | Back panel | x1 |
| 6 | Up Front frame | x1 |
| 7 | Bottom Front frame | x1 |
| 8 | Left door | x1 |
| 9 | Right door | x1 |
| 10 | Left side panel | x1 |
| 11 | Central batten | x2 |
| 12 | Central batten | x1 |
| 13 | Right side panel | x1 |
| 14 | Shelf | x1 |
| 15 | Left leg | x1 |
| 16 | Right leg | x1 |
| 17 | Back leg | x3 |
| 18 | Center leg | x3 |
| 19 | Drawer front | x3 |
| 20 | Right drawer side | x3 |
| 21 | Left drawer side | x3 |
| 22 | Drawer back | x3 |
| 23 | Drawer bottom | x3 |

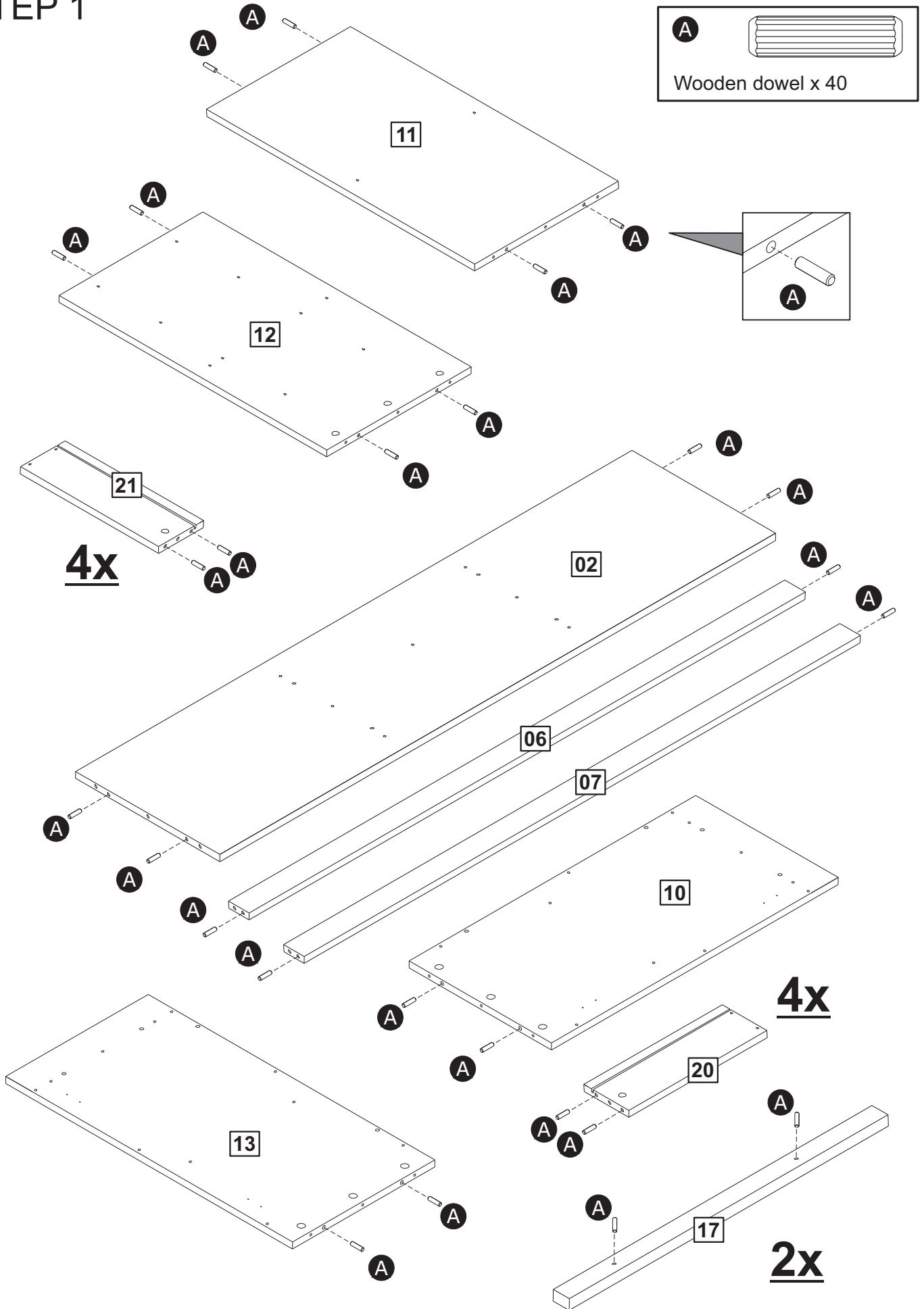


4x

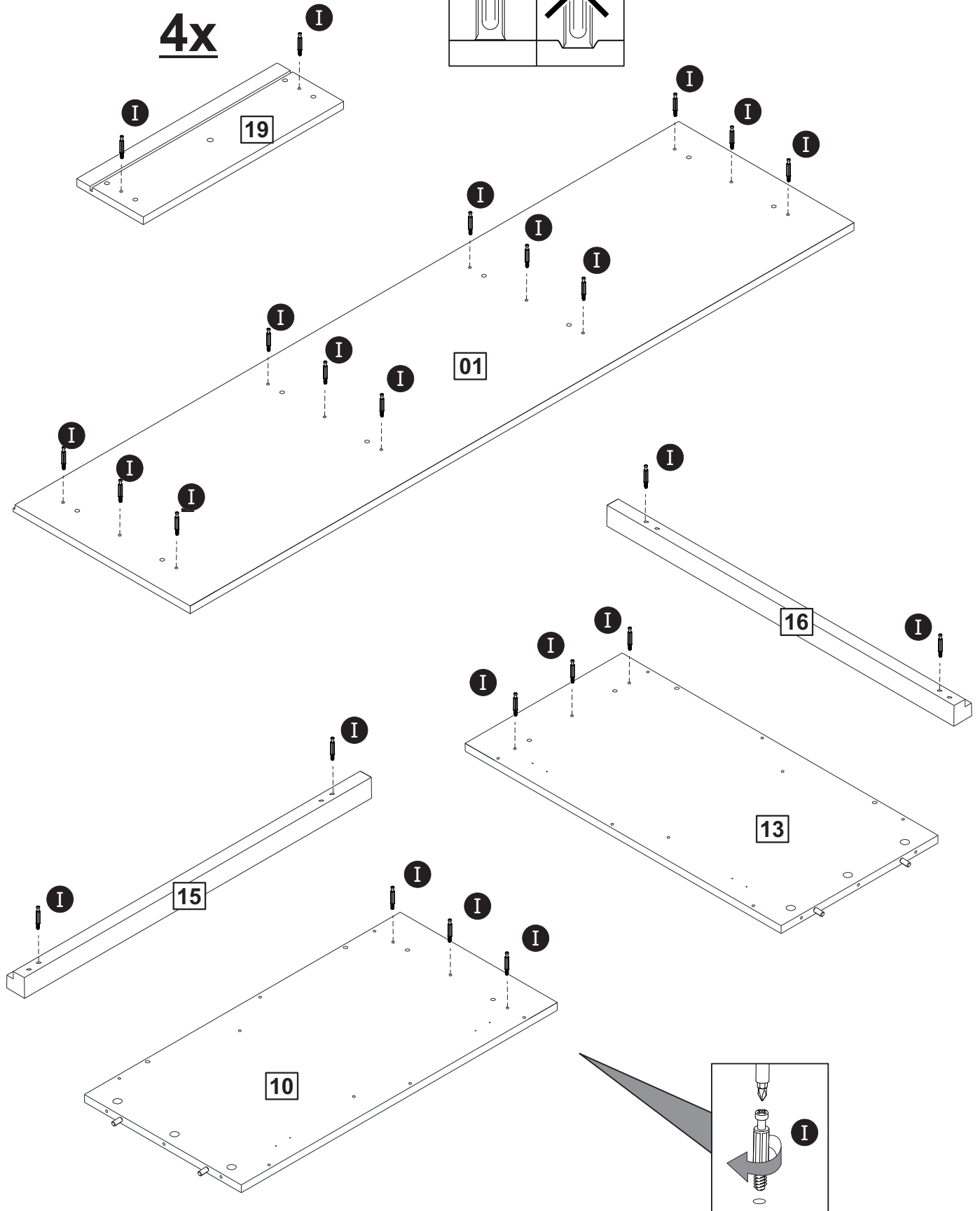
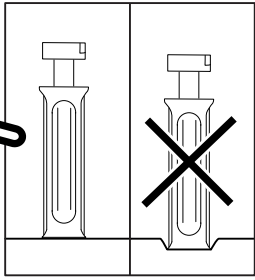
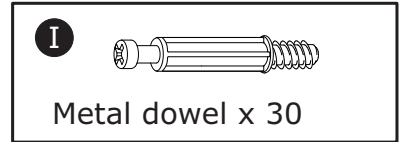
Included in this Package

<p>A </p> <p>Wooden dowel x 40</p>	<p>B </p> <p>12mm Screw x 32</p>	<p>C </p> <p>14mm Screw x 13</p>
<p>D </p> <p>35mm Screw x 36</p>	<p>E </p> <p>30mm Screw x 4</p>	<p>F </p> <p>8mm Screw x 16</p>
<p>G </p> <p>16mm Screw x 4</p>	<p>H </p> <p>19mm Screw x 2</p>	<p>I </p> <p>18mm Screw M4 x 30</p>
<p>J </p> <p>Locking nut x 30</p>	<p>K </p> <p>Handle x 6</p>	<p>L </p> <p>Door Hinge x 4</p>
<p>M </p> <p>Hinge Plate x 4</p>	<p>N </p> <p>Shelf Support x 8</p>	<p>O </p> <p>Metal Bracket x 2</p>
<p>P </p> <p>Washer x 2</p>	<p>Q </p> <p>Wall strap x 1</p>	<p>R </p> <p>Nail x 32</p>
<p>S a </p> <p>b </p> <p>Right runner x 4</p>	<p>T a </p> <p>b </p> <p>Left runner x 4</p>	<p>U </p> <p>12mm Screw x 8</p>

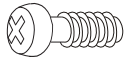
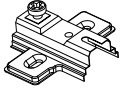
STEP 1

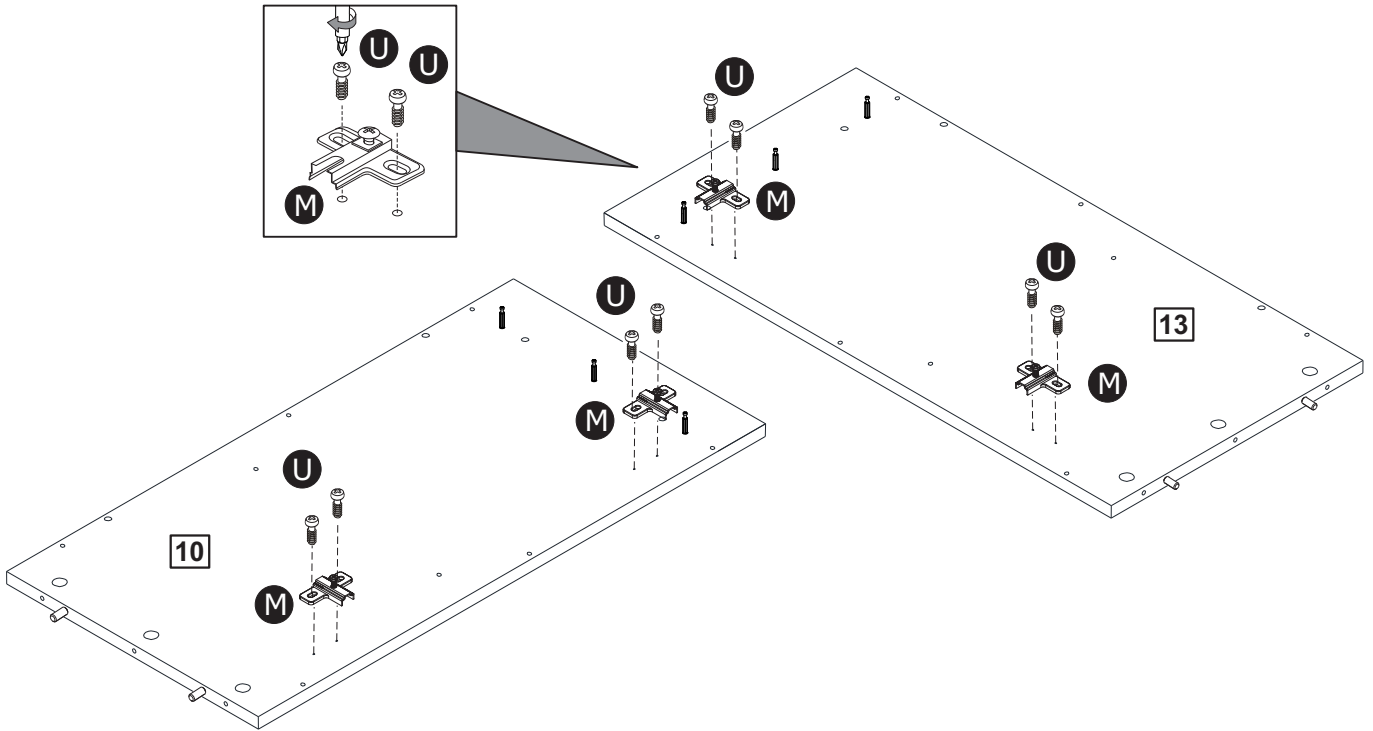


STEP 2

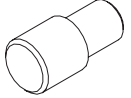


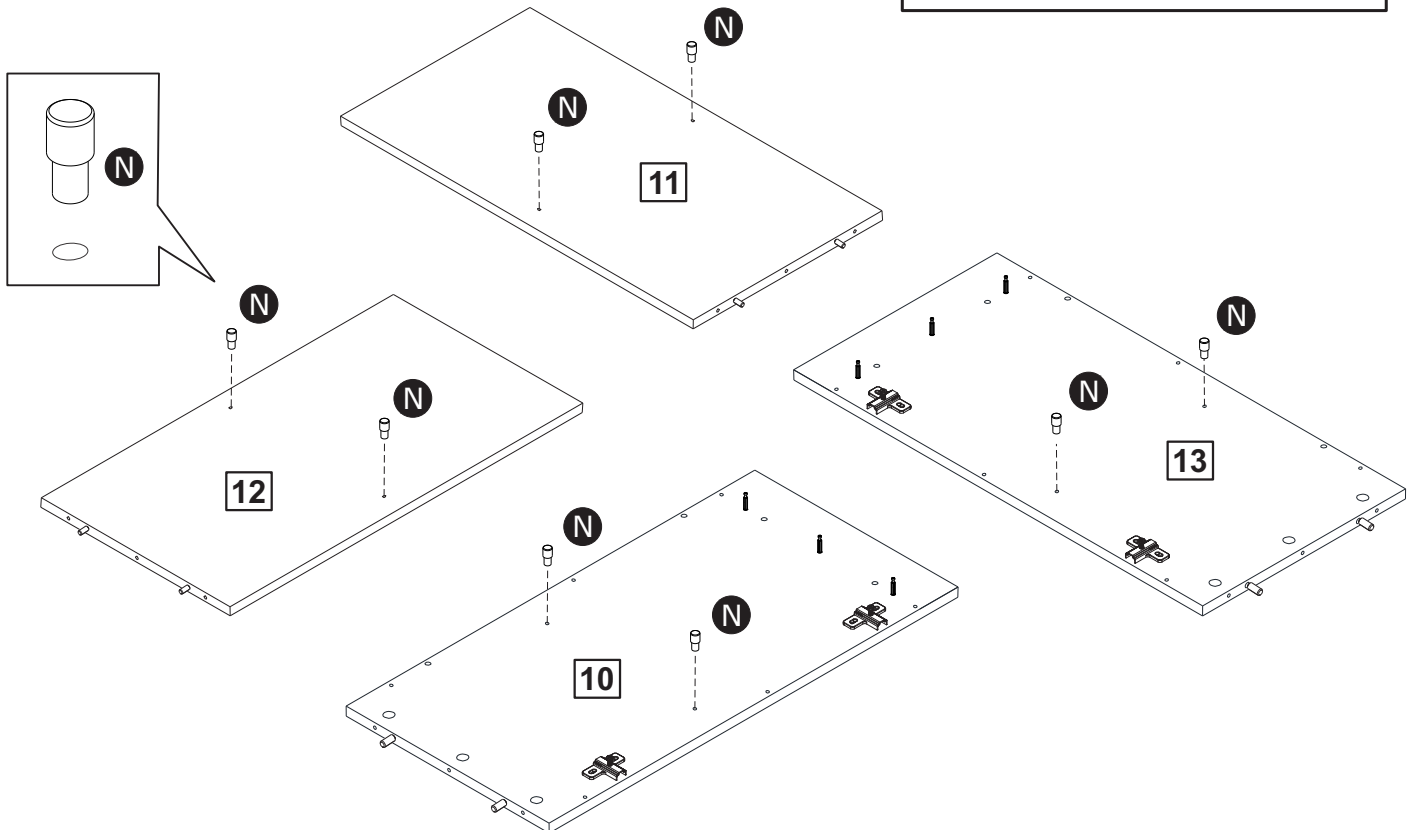
STEP 3

U 	M 
12mm Screw x 8	Hinge Plate x 4






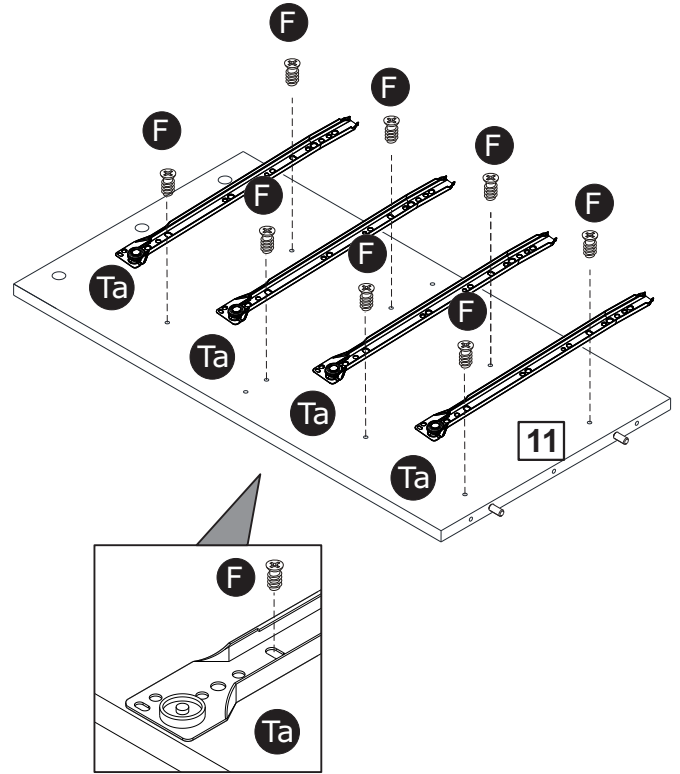
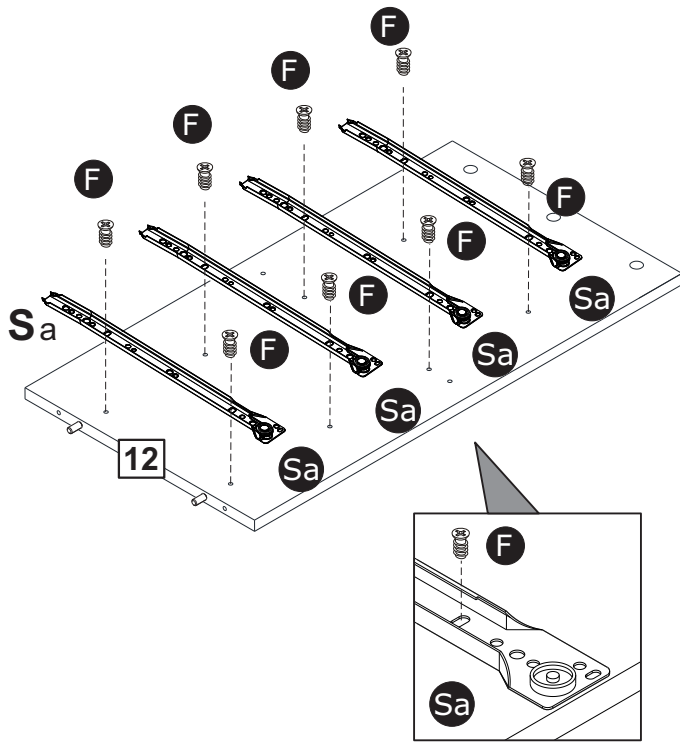
STEP 4

N 
Shelf Support x 8




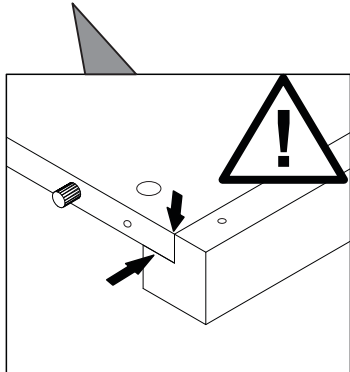
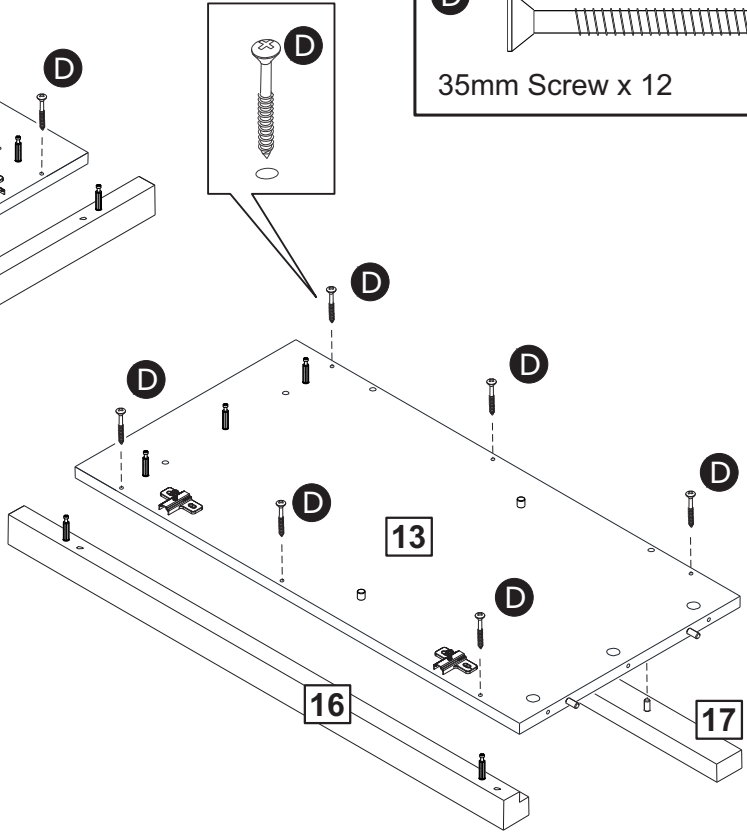
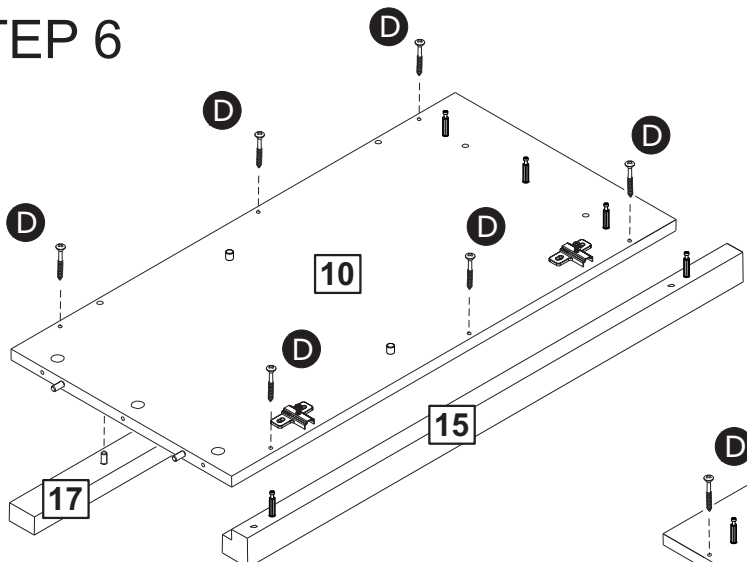
STEP 5

<p>F </p> <p>8mm Screw x 16</p>	<p>S </p> <p>Right runner x 4</p>	<p>T </p> <p>Left runner x 4</p>
---	--	--

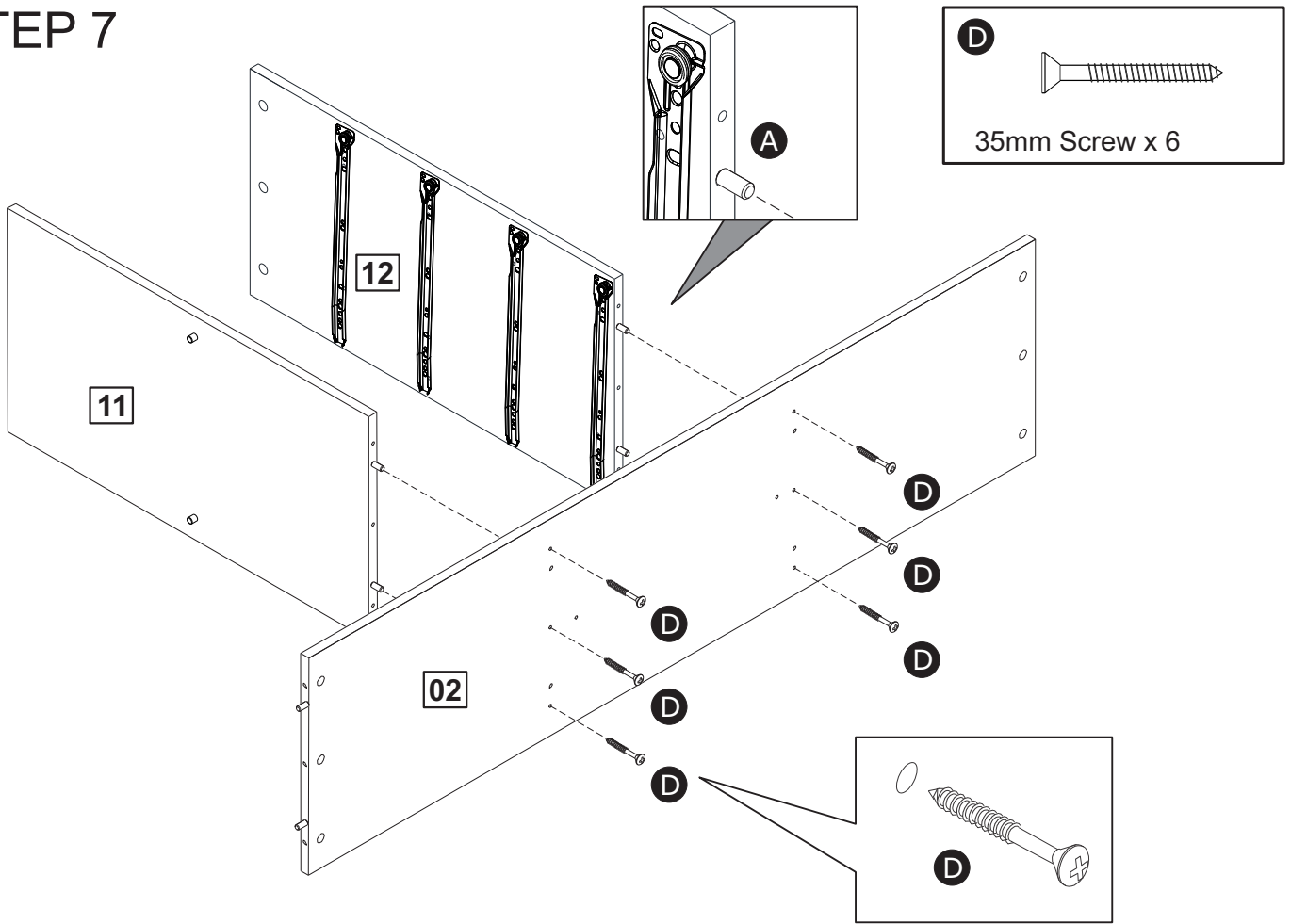


STEP 6

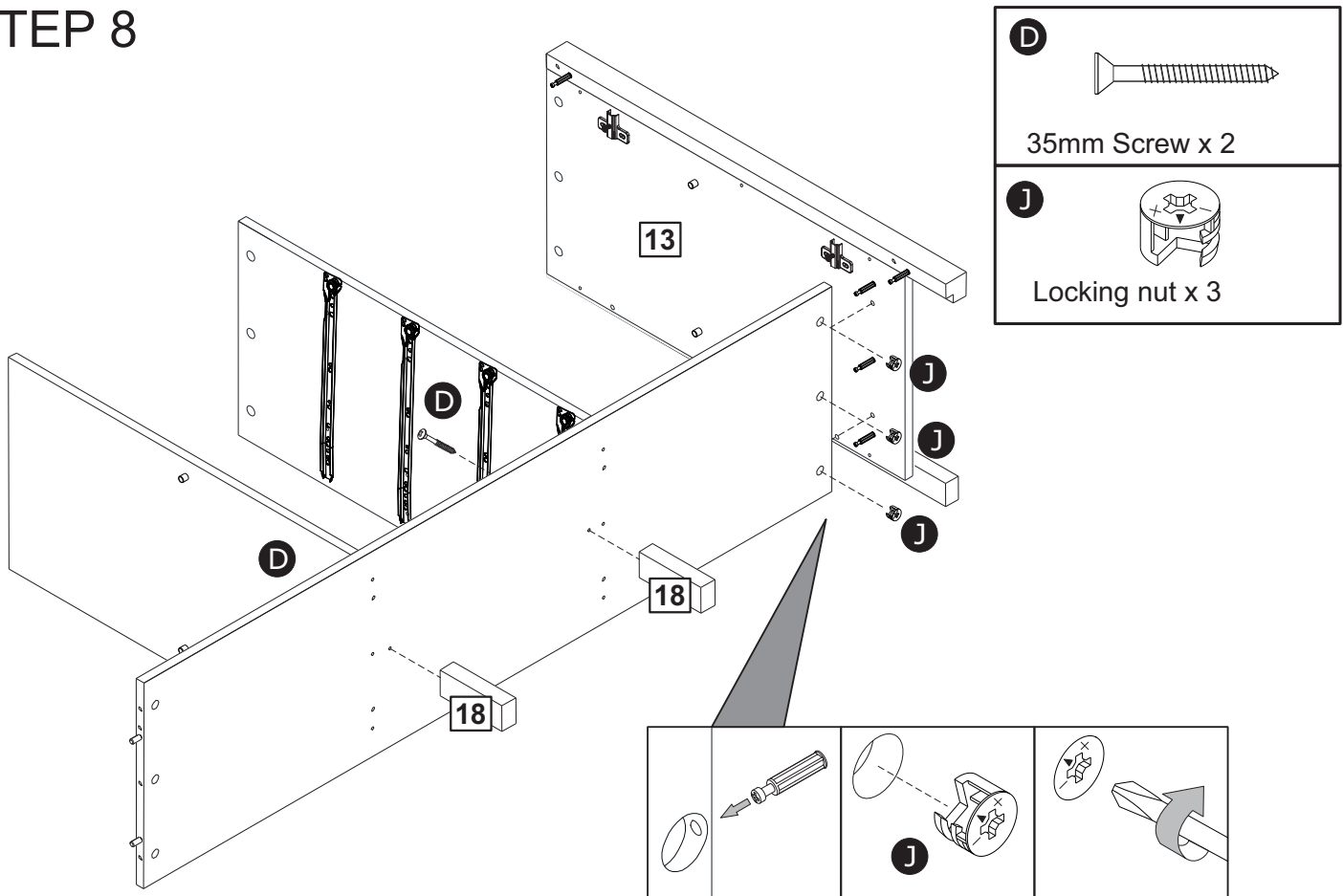
<p>D </p> <p>35mm Screw x 12</p>
--



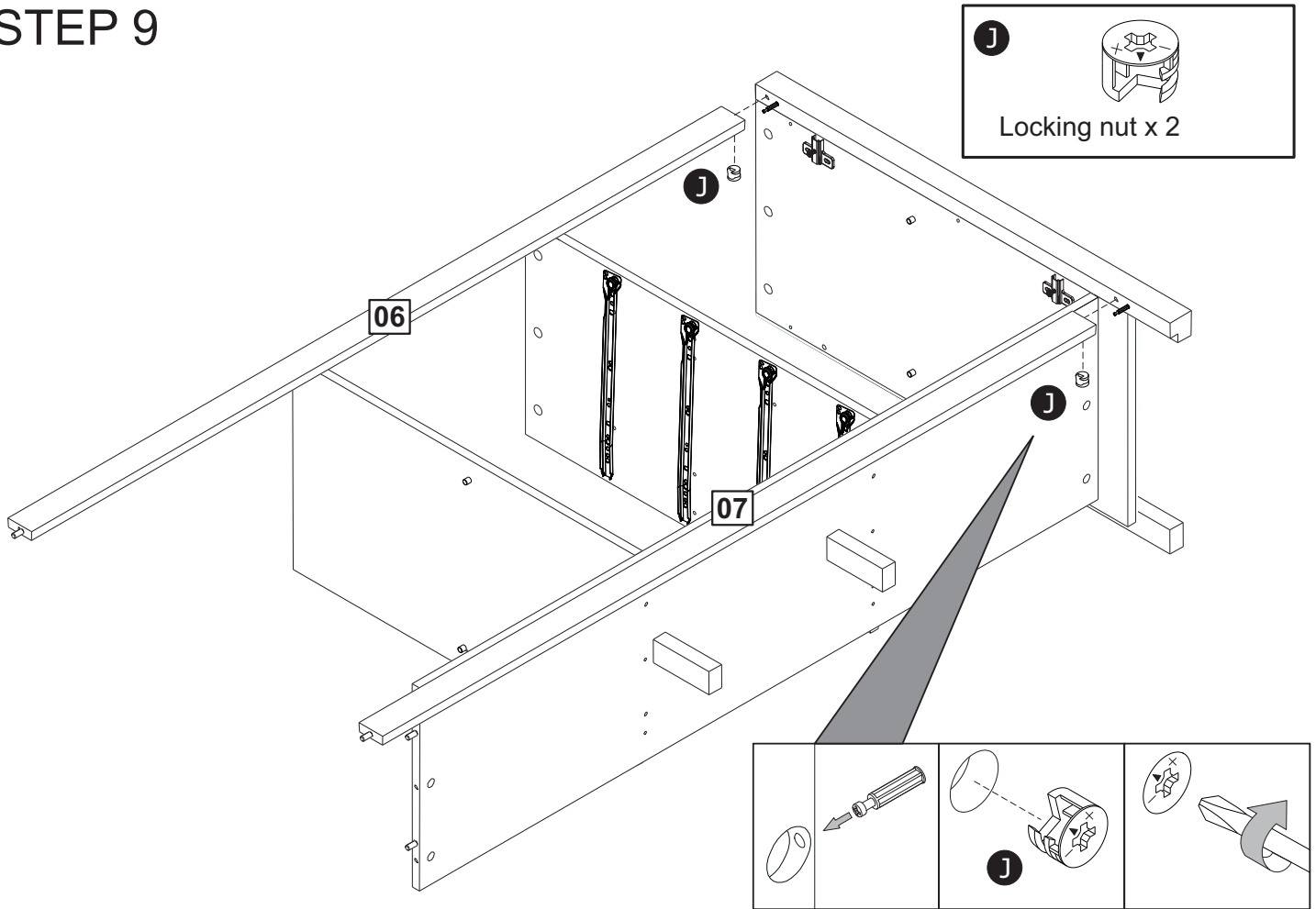
STEP 7



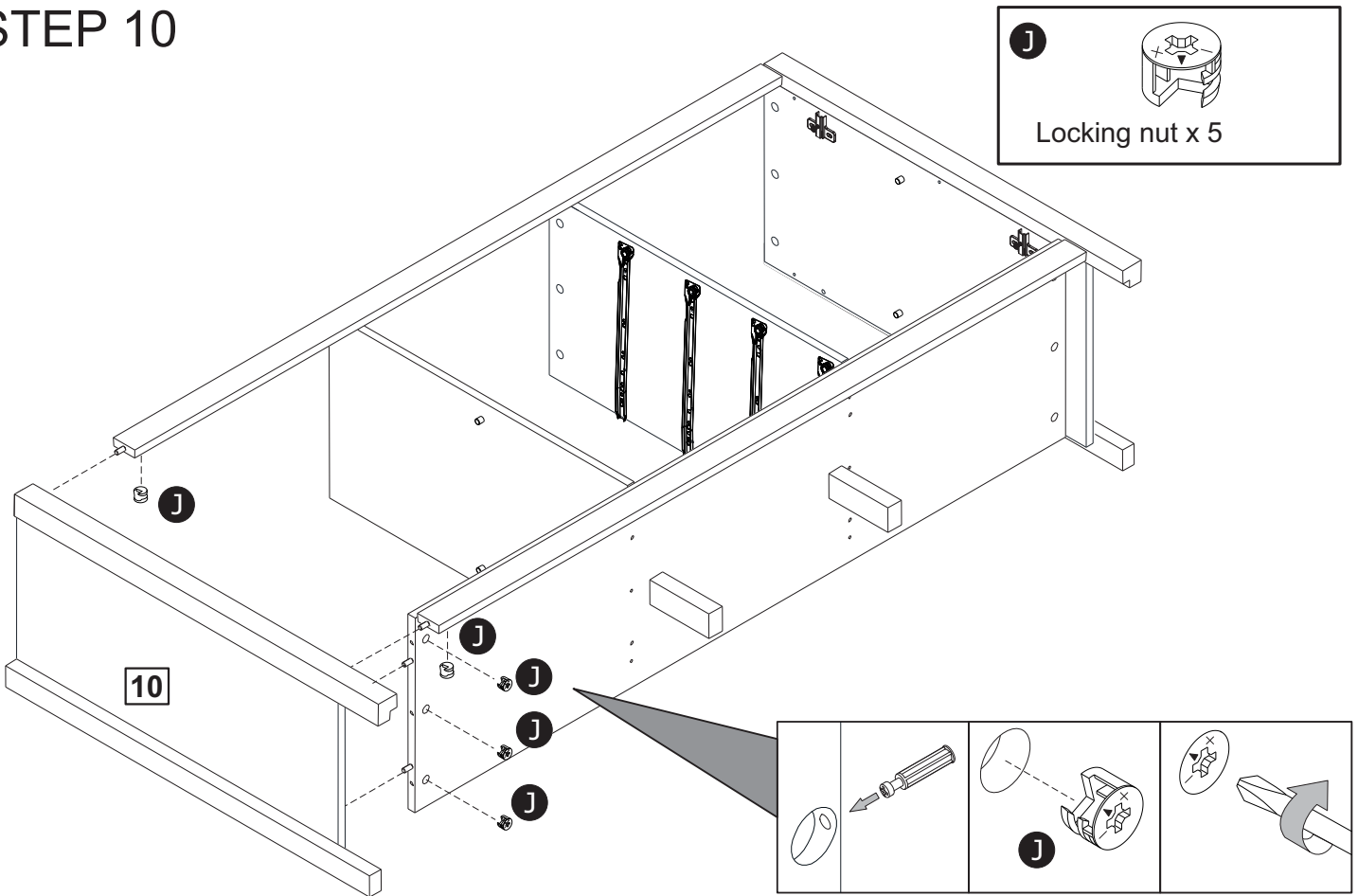
STEP 8



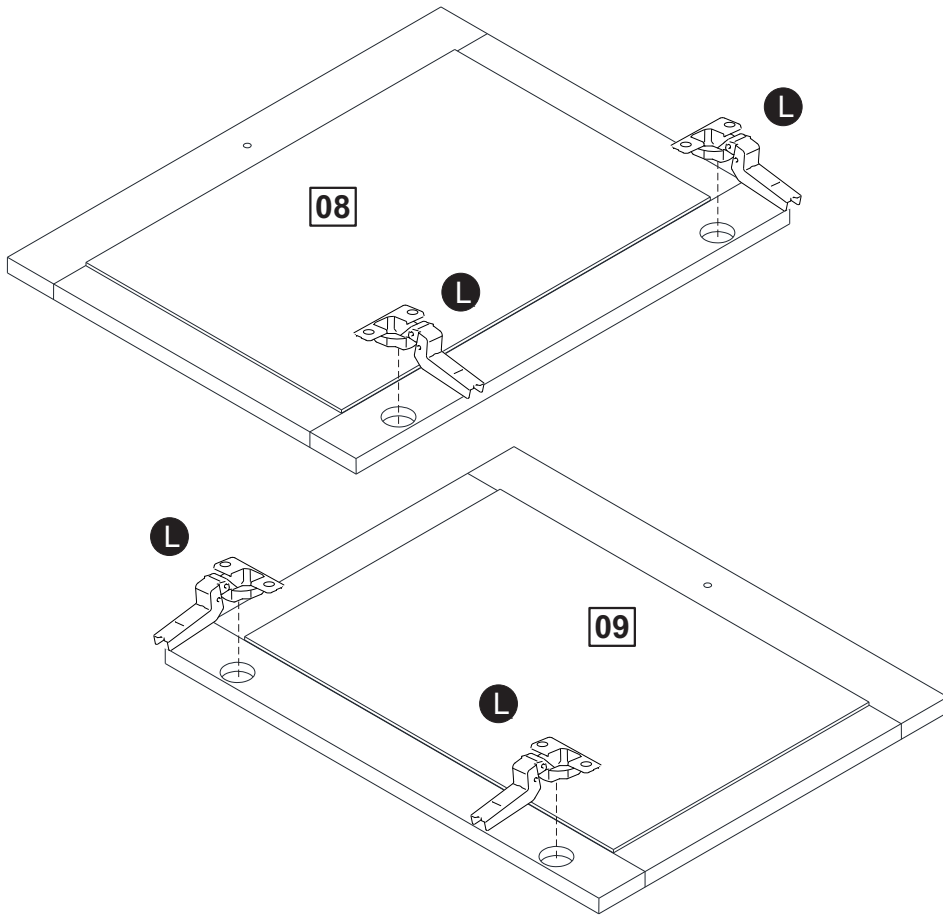
STEP 9



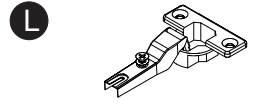
STEP 10



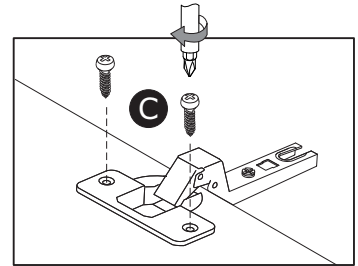
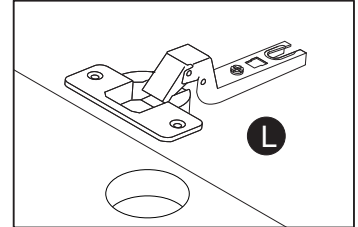
STEP 15



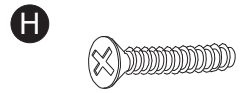
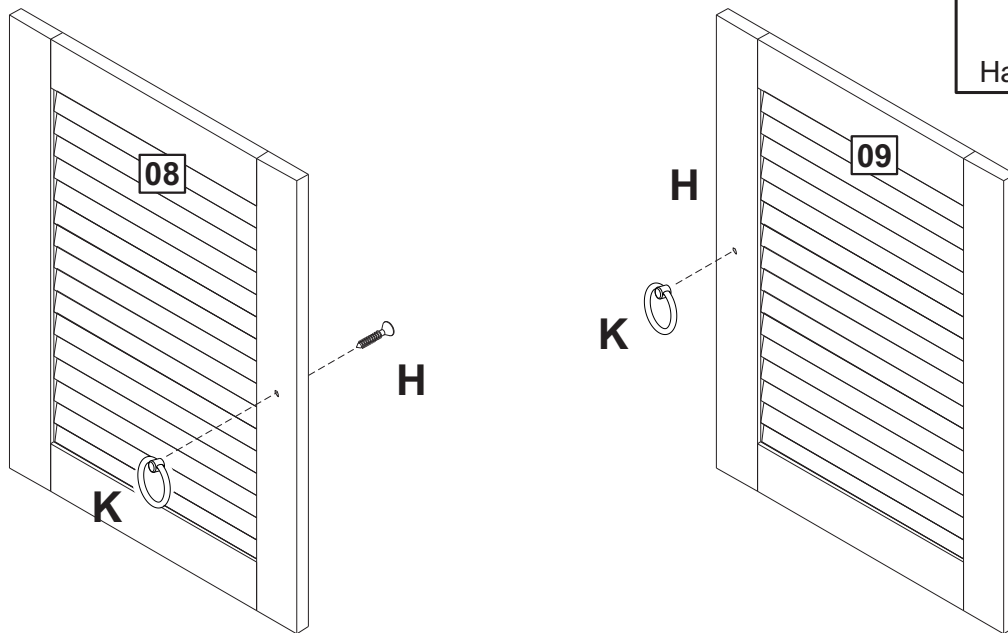
14mm Screw x 8



Door Hinge x 4



STEP 16

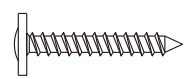


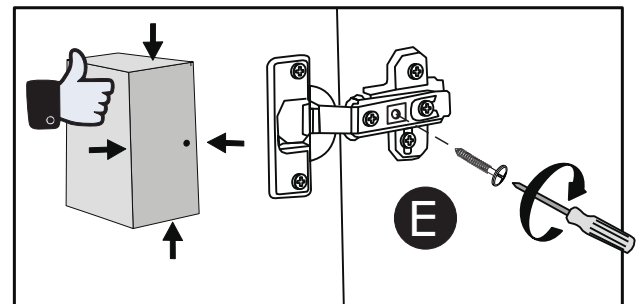
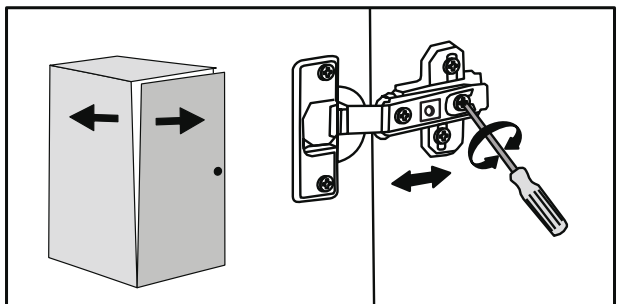
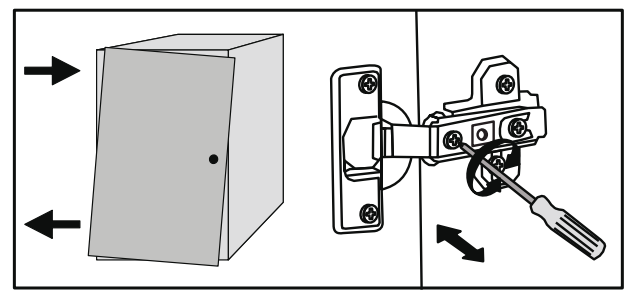
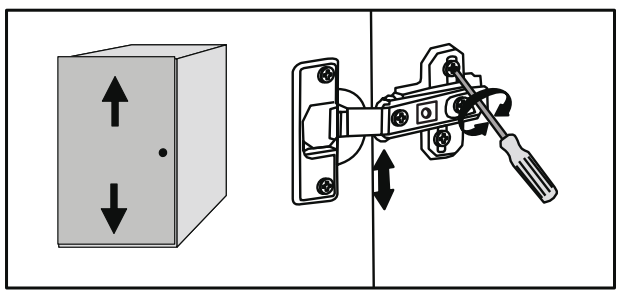
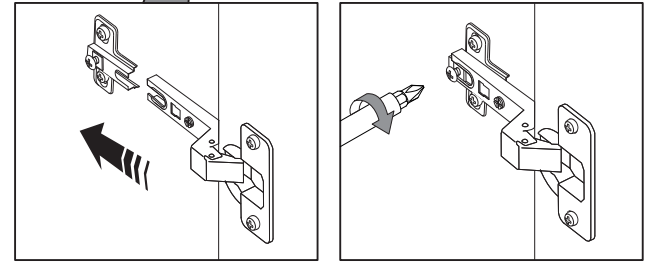
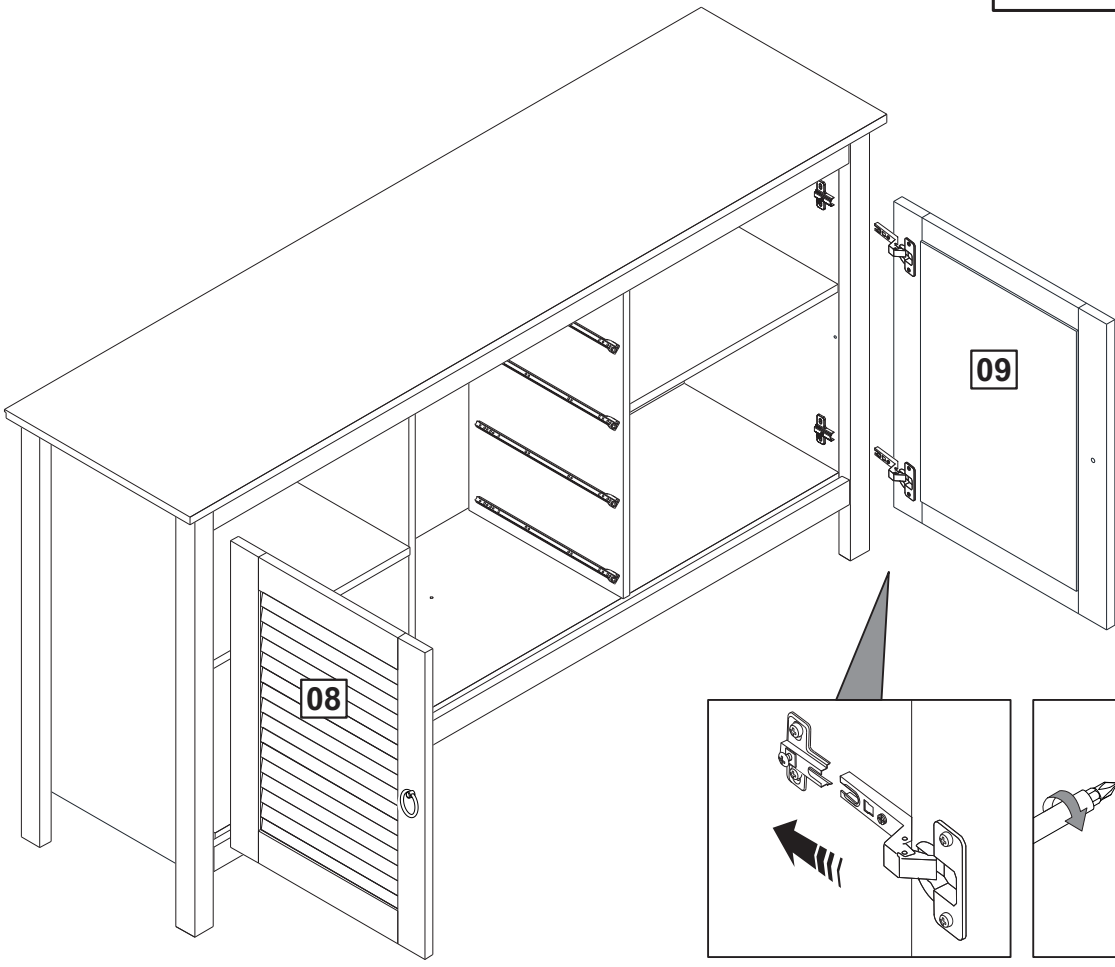
19mm Screw x 2



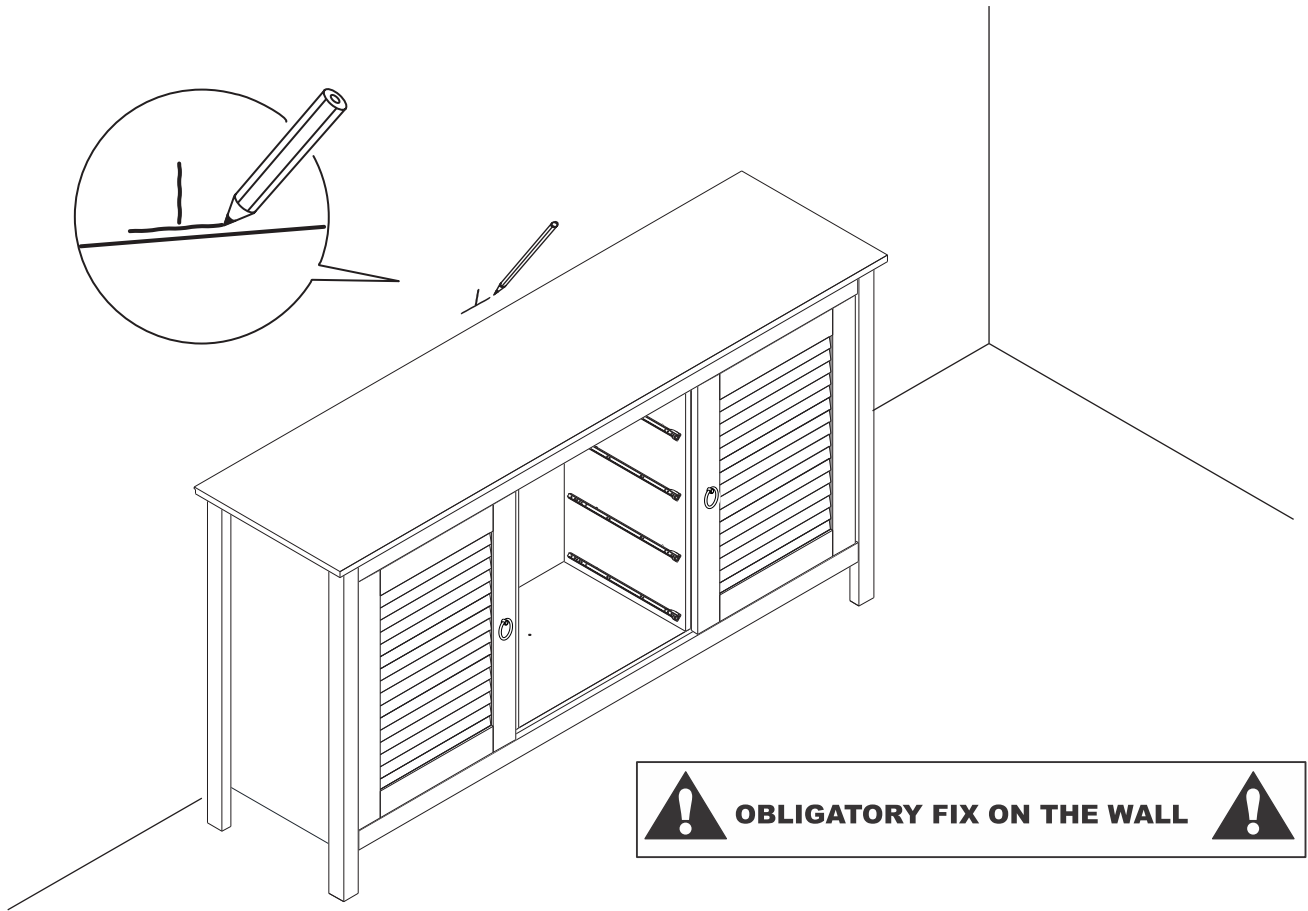
Handle x 2

STEP 17

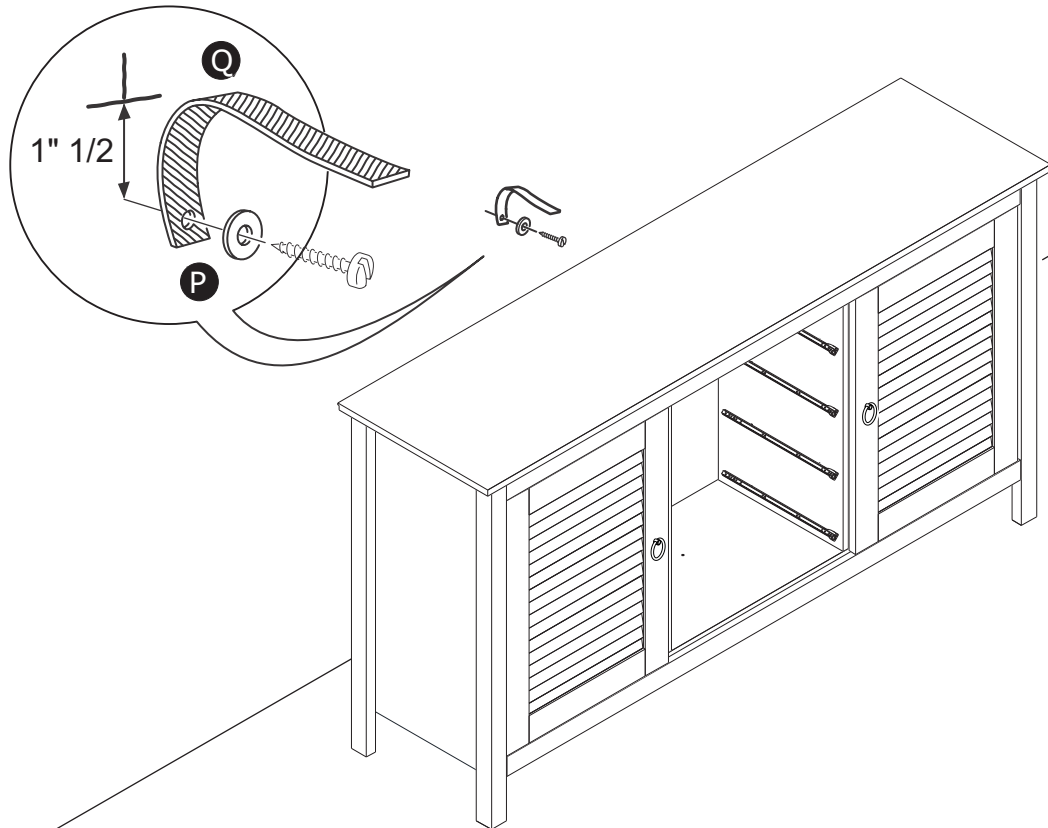
E 
30mm Screw x 4

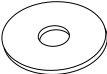



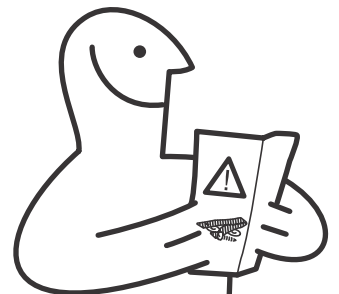
STEP 18



STEP 19

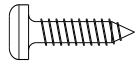


- | | |
|----------|---|
| P |  |
| | Washer x 1 |
| Q |  |
| | Wall strap x 1 |



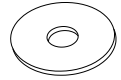
STEP 20

C



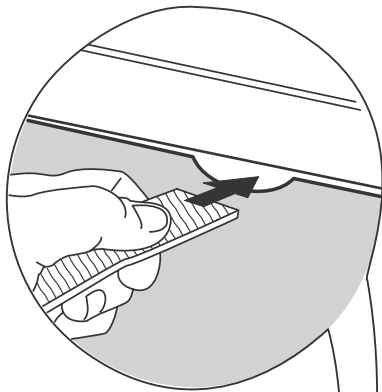
14mm Screw x 13

P

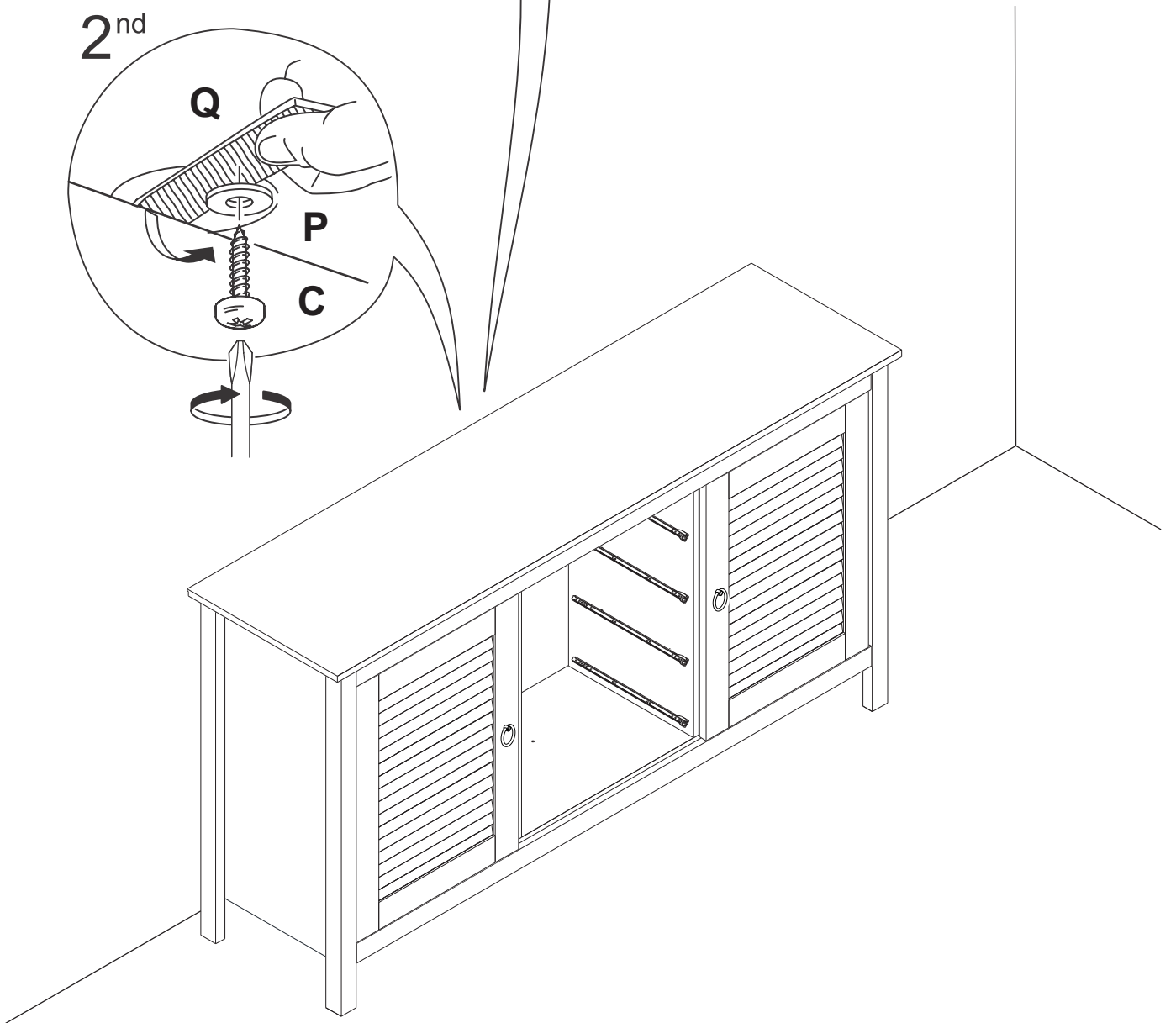
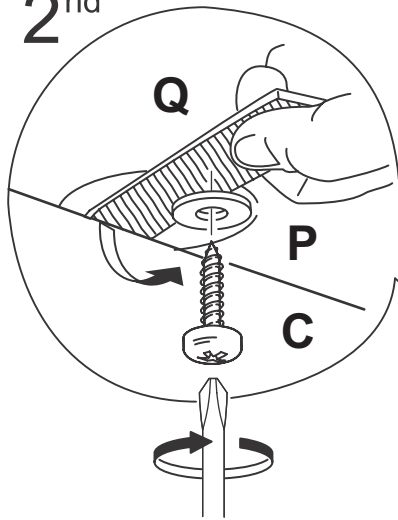


Washer x 2

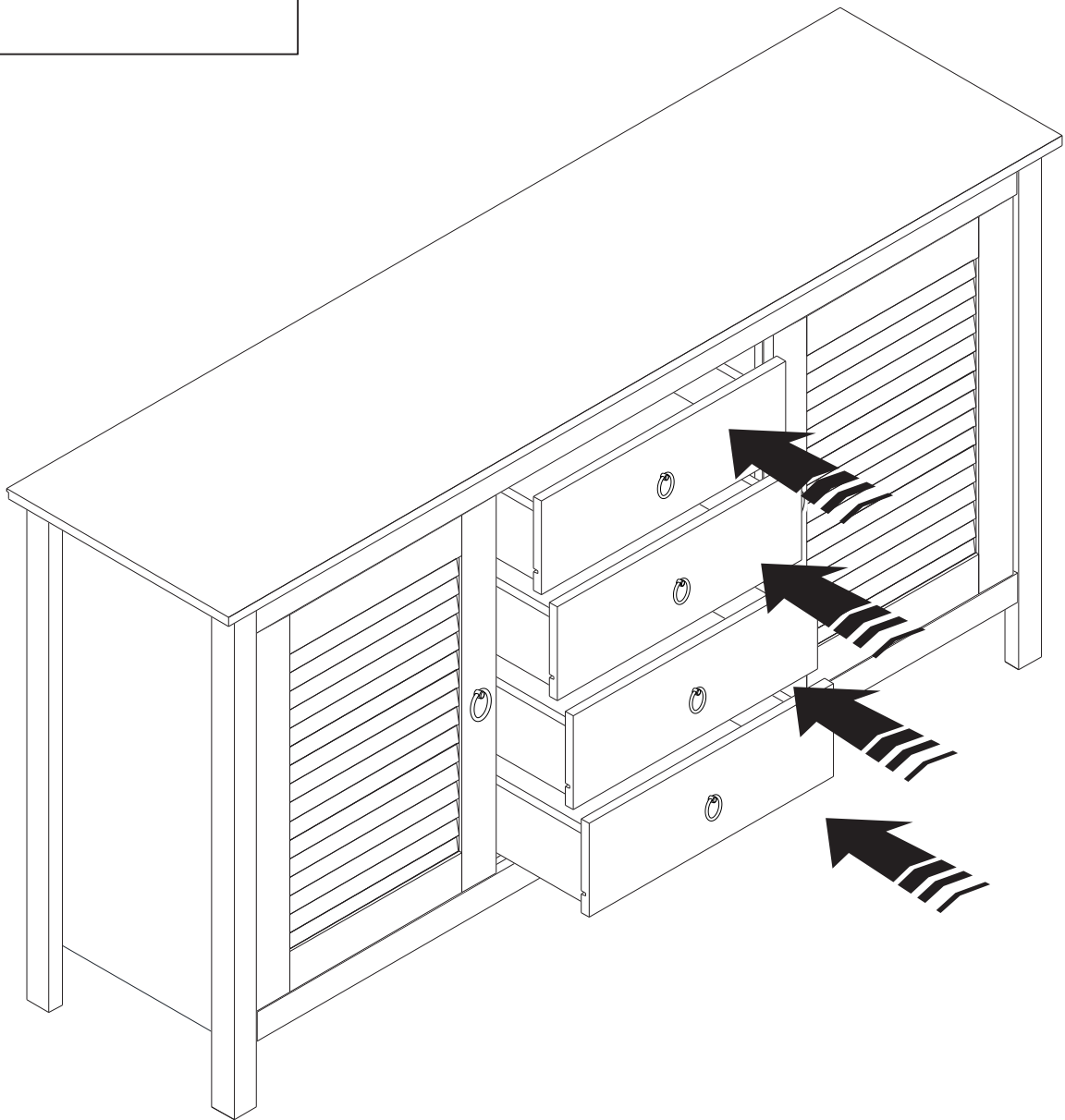
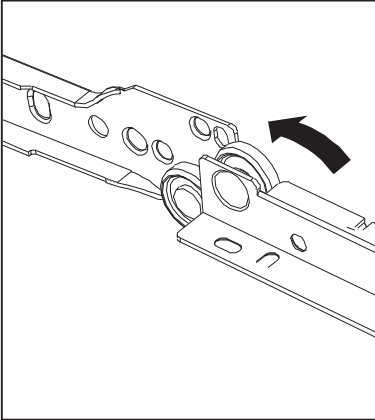
1st




2nd

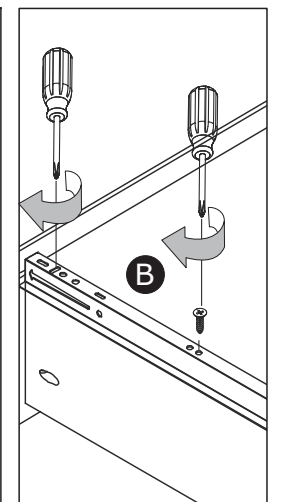
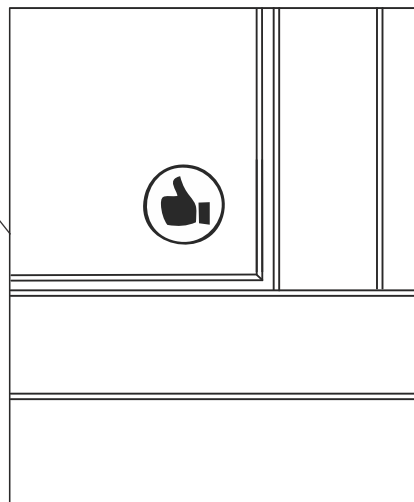
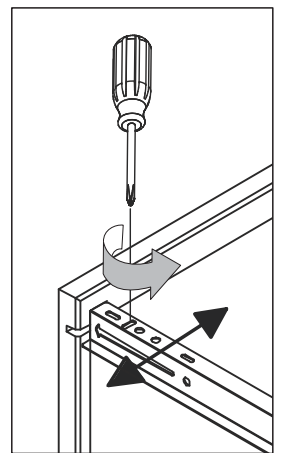
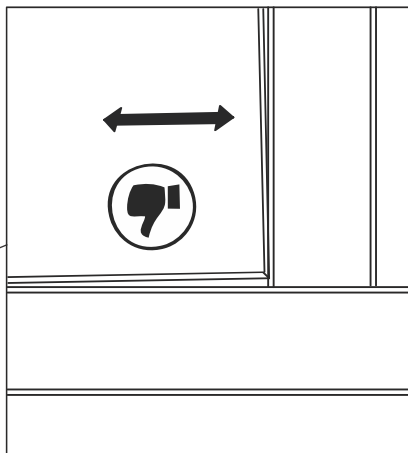
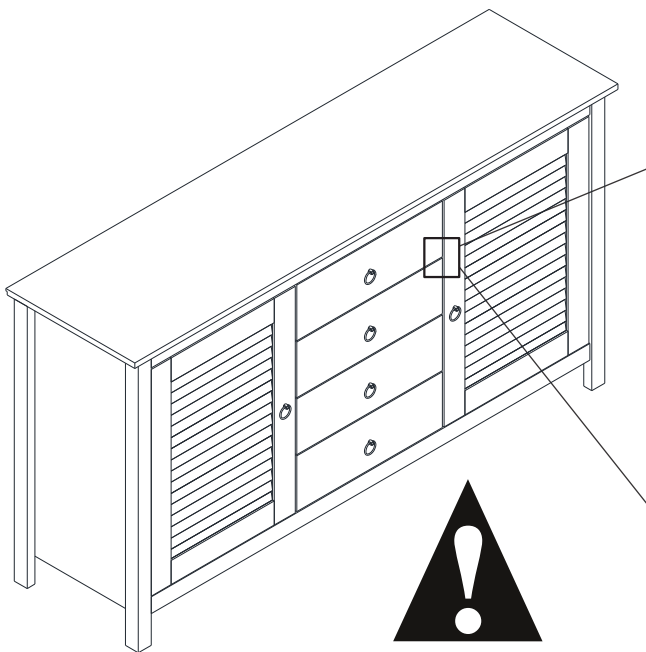
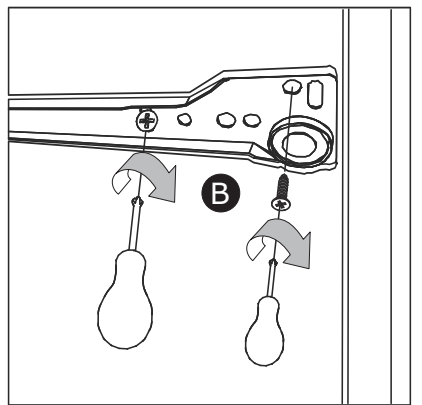
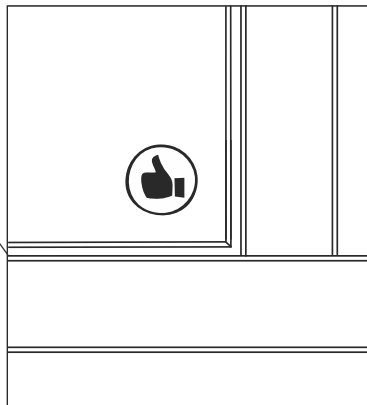
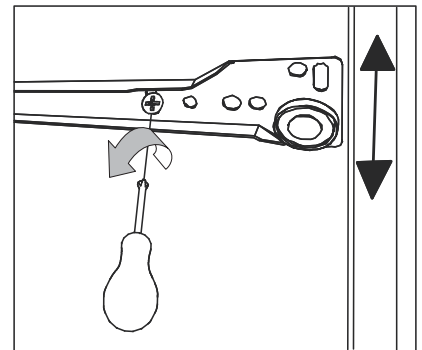
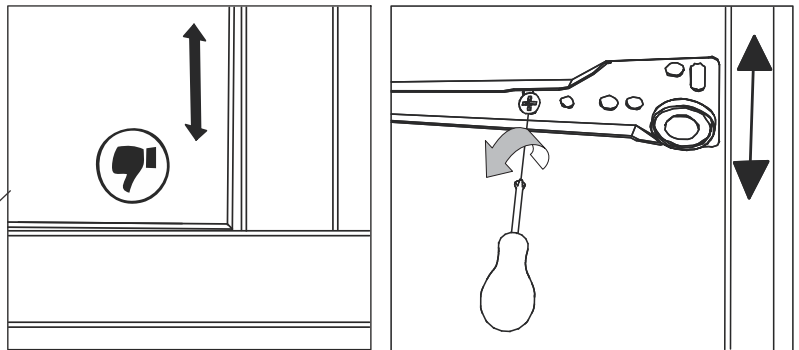
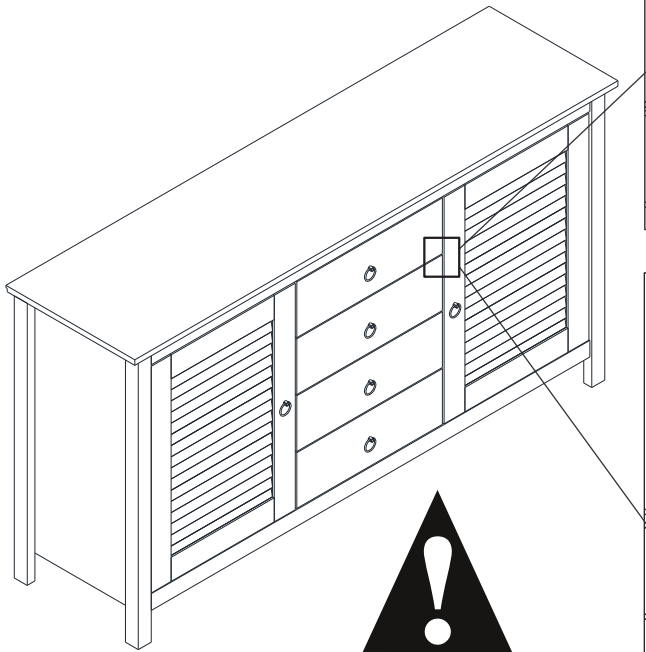


STEP 22



STEP 23

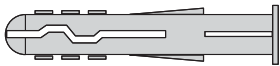
B 
12mm Screw x 12



A guide to - Wall Mounting & Fixings

Important note:

If plastic wall plugs are supplied with your product:



- these are only suitable for use in masonry walls.

If you are in any doubt about the correct wall plugs for your wall, seek professional advice.


Failure of the product due to using incorrect fixings is the responsibility of the installer.



Important: When drilling into walls always check that there are no hidden wires or pipes etc.

Make sure that the screws and wall plugs being used are suitable for supporting your unit. Consult a qualified tradesperson if you are unsure.

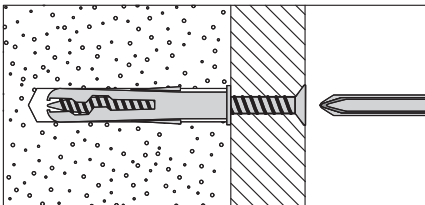
Hints:

- 1: General rule:  Always use a larger screw and wall plug if you are not sure.
- 2: Ensure you use the recommended drill bit to match the wall plug and hole size.
- 3: Ensure you drill the hole horizontally, do not force the drill or enlarge the hole.
- 4: Take extra care when drilling high walls, ceilings and ceramic tiles. Ensure wall plugs are inserted beyond the thickness of the ceramic tiles to avoid the tiles splitting or cracking.
- 5: Ensure wall plugs are well fitted and are a tight fit in the drilled hole.

Types of walls

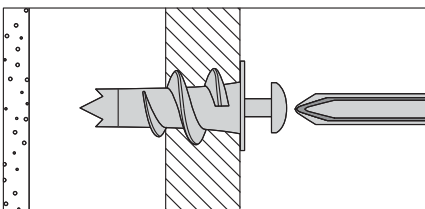
You can use one of the following types of wall plug if your walls are made of brick, breeze block, concrete, stone or wood.

No.1 "General Purpose" wall plug



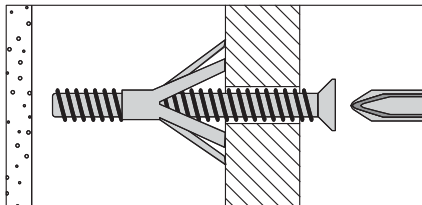
Generally aerated blocks should not be used to support heavy loads, use a specialist fitting in this case. For light loads, general purpose wall plugs can be used.

No.2 "Plasterboard" wall plug



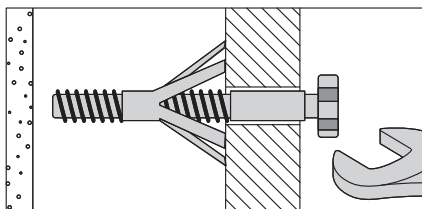
For use when attaching light loads on to plasterboard partitions.

No.3 "Cavity Fixing" wall plug



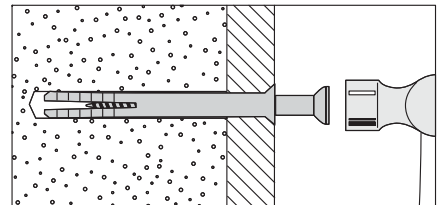
For use with plasterboard partitions or hollow wooden doors.

No.4 "Cavity Fixing-Heavy Duty" wall plug



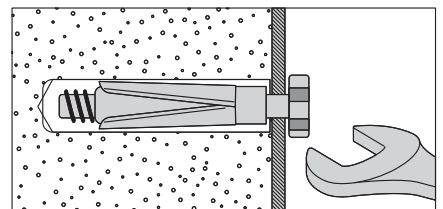
For use when fitting or supporting heavy loads such as shelving, wall cabinets and coat racks.

No.5 "Hammer Fixing" wall plug



For use with walls stuck with plasterboard. The hammer fixing allows it to be fixed to the wall rather than the plasterboard. Always check the fixing is secure to the retaining wall.

No.6 "Shield Anchor" wall plug Heavy loads



For use with heavier loads such as TV & HiFi speakers and satellite dishes etc.



Care & Maintenance

Safety: Always check the fitting and location to ensure your safety in and around the home.

Fitting: From time to time check the fitting to ensure the wall plugs or screws do not become loose.