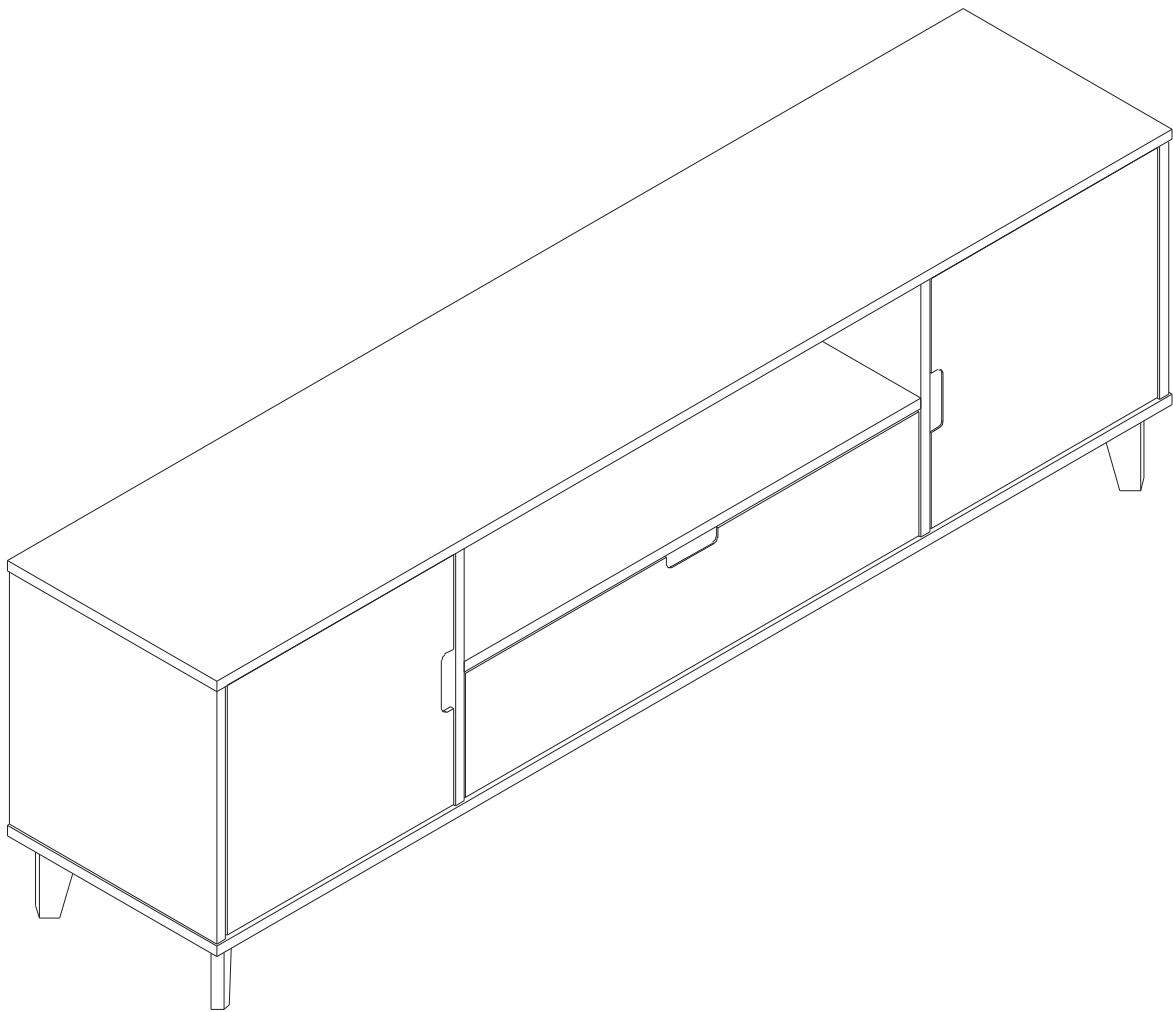


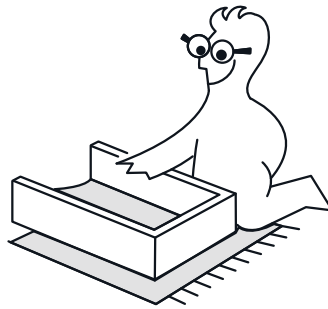
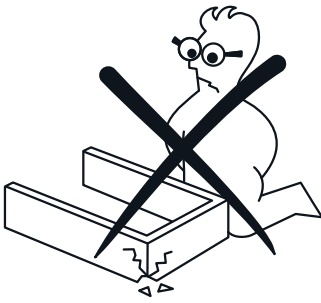


MANHATTAN
COMFORT

Glenmore 62.99" Tv Stand

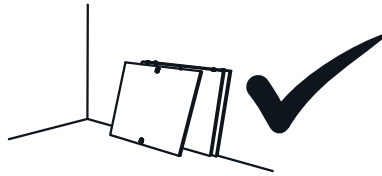
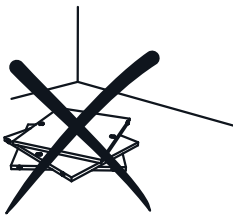


SKU# CS91508 - CS91509

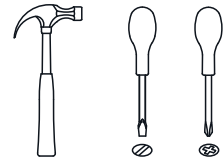


For Best Results

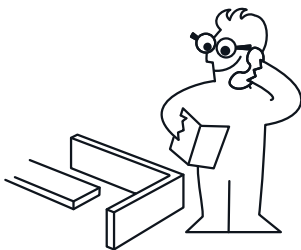
- Do not throw away packaging materials until assembly is complete.
- Assemble item on a soft surface, such as cardboard or carpet, to protect finish.
- Proper assembly requires two people.



Tools
Required

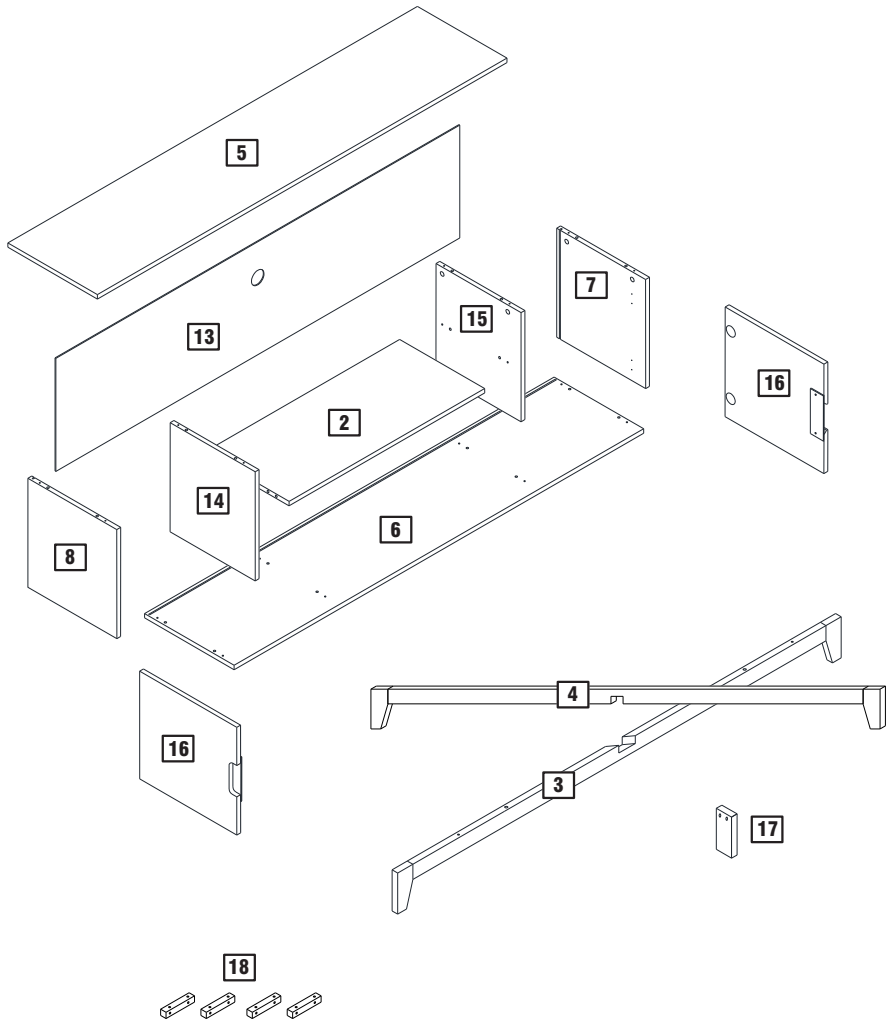


View our assembly video online
www.manhattancomfort.com

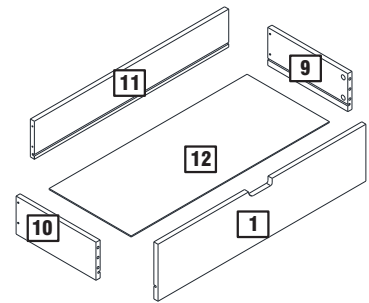


Stuck? Questions? We are here to help.
1-888-230-2225
help@manhattancomfort.com

Included in this Package

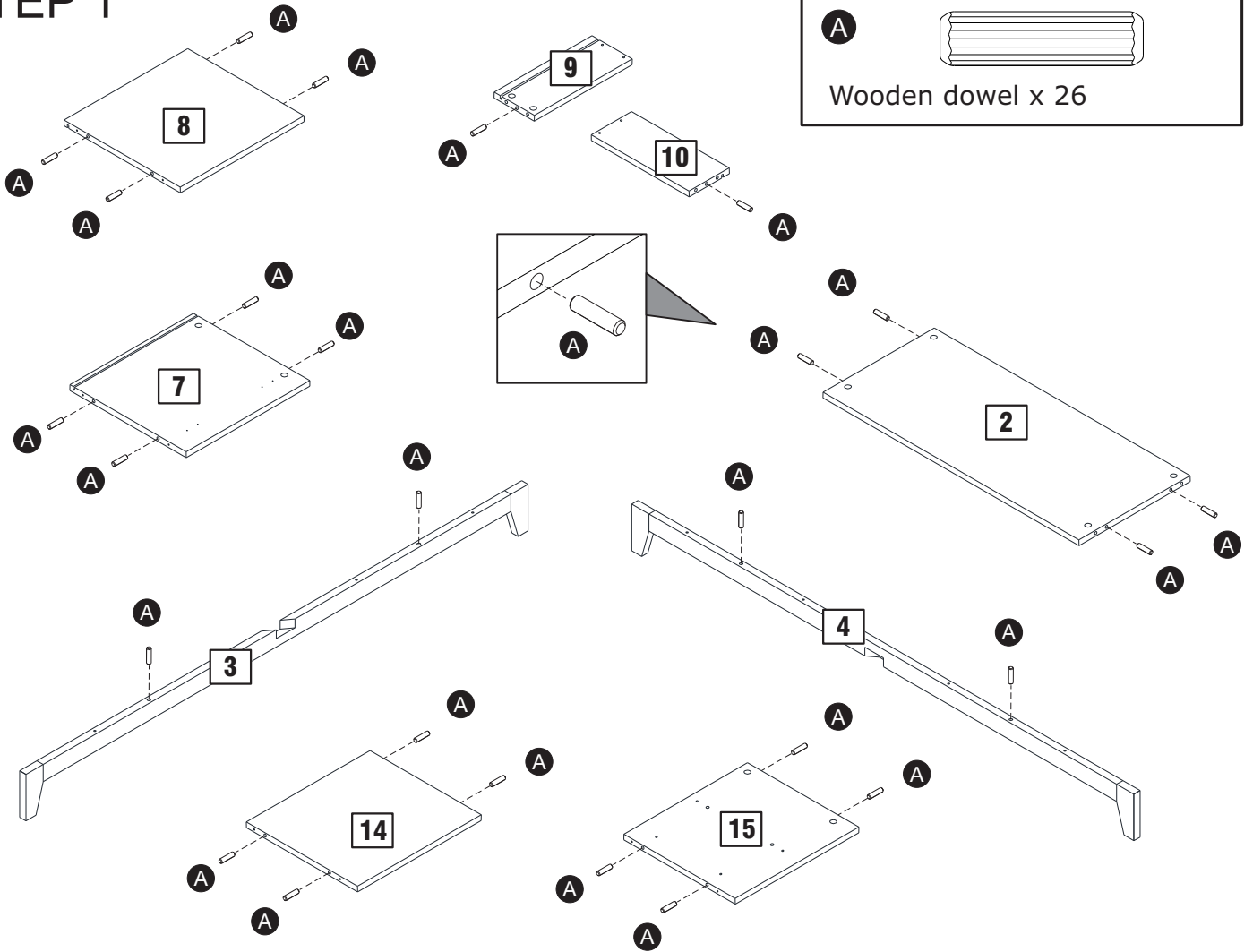


- | | | |
|-----------|----------------------|----|
| 1 | Drawer Front | x1 |
| 2 | Shelf | x1 |
| 3 | Left Foot | x1 |
| 4 | Right Foot | x1 |
| 5 | Top Board | x1 |
| 6 | Base Board | x1 |
| 7 | Right Side | x1 |
| 8 | Left Side | x1 |
| 9 | Right Side Drawer | x1 |
| 10 | Left Side Drawer | x1 |
| 11 | Back Panel of Drawer | x1 |
| 12 | Bottom of Drawer | x1 |
| 13 | Blackplate | x1 |
| 14 | Left Center Side | x1 |
| 15 | Right Center Side | x1 |
| 16 | Doors | x2 |
| 17 | Support Foot | x1 |
| 18 | Supports | x4 |

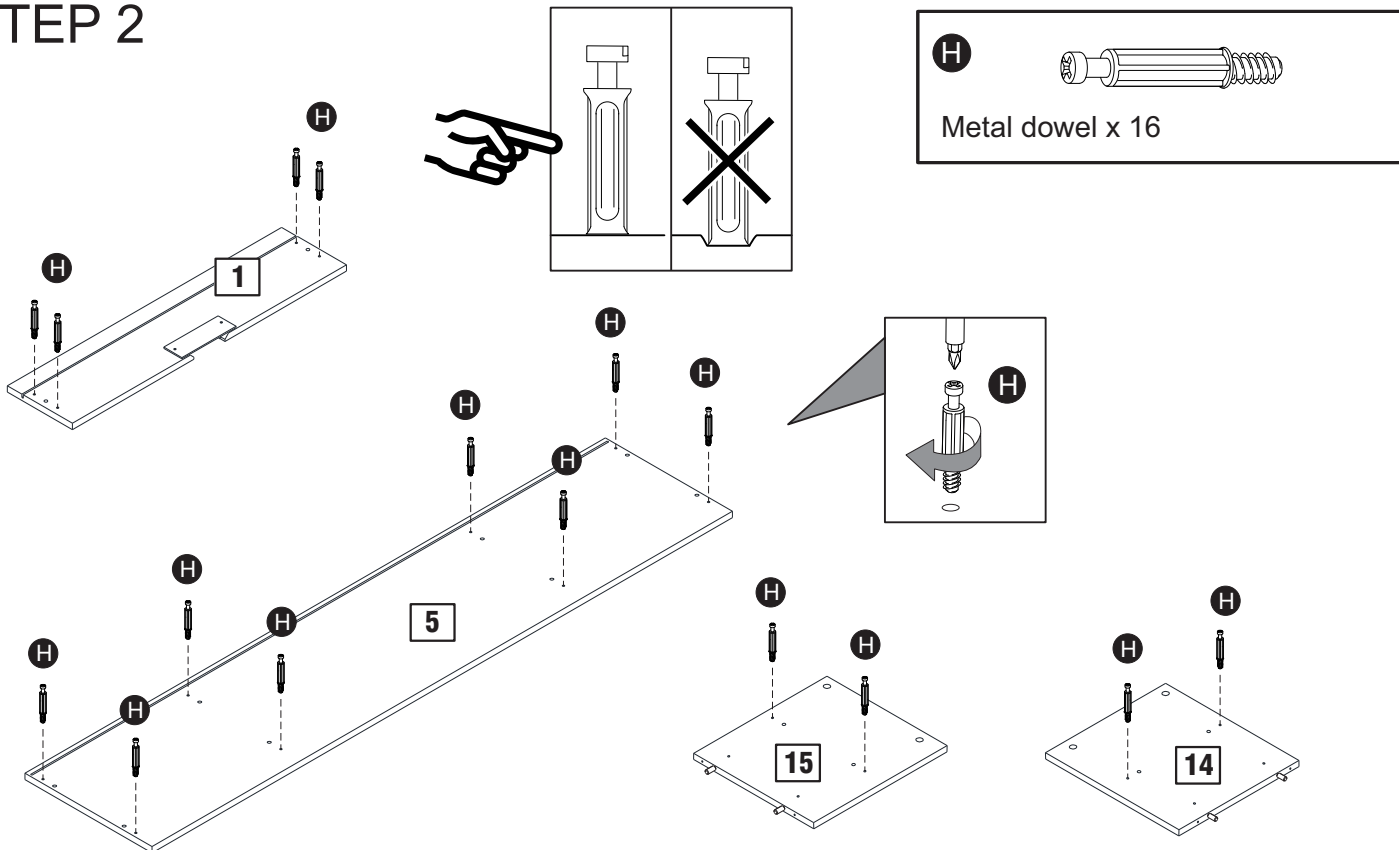


A		B		C	
	Wooden dowel x 26		12mm Screw x 8		14mm Screw x 26
D		E		F	
	30mm Screw x 18		40mm Screw x 12		45mm Screw x 8
G		H		J	
	8mm Screw x 4		Metal dowel x 16		Locking nut x 16
K		L		M	
	Door Hinge x 4		Hinge Plate x 4		Metal Bracket x 2
N		L		M	
	Plastic Bracket x 8		Right runner x 1 pair		Left runner x 1 pair

STEP 1

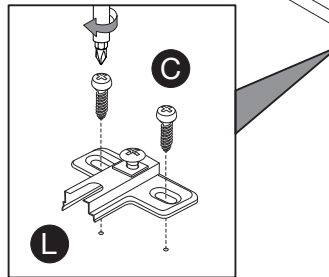
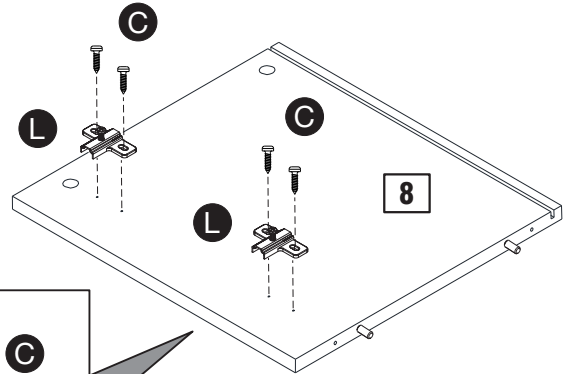
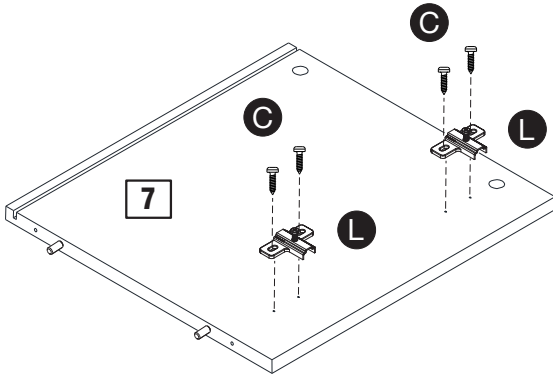


STEP 2






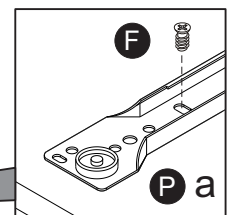
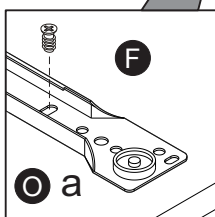
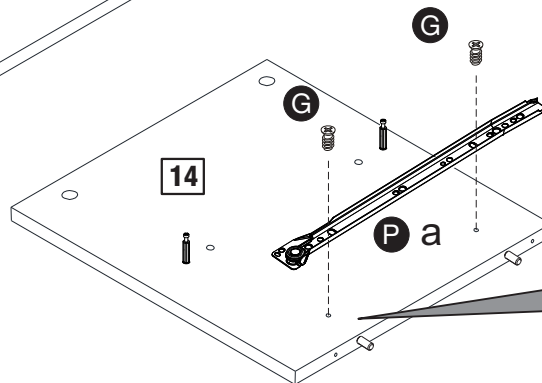
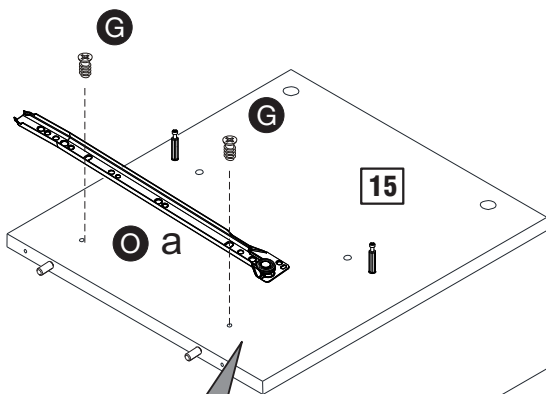
STEP 3

<p>C </p> <p>14mm Screw x 8</p>	<p>L </p> <p>Hinge Plate x 4</p>
-------------------------------------------------------------------------------------------------------------------------	----------------------------------------------------------------------------------------------------------------------------



STEP 4

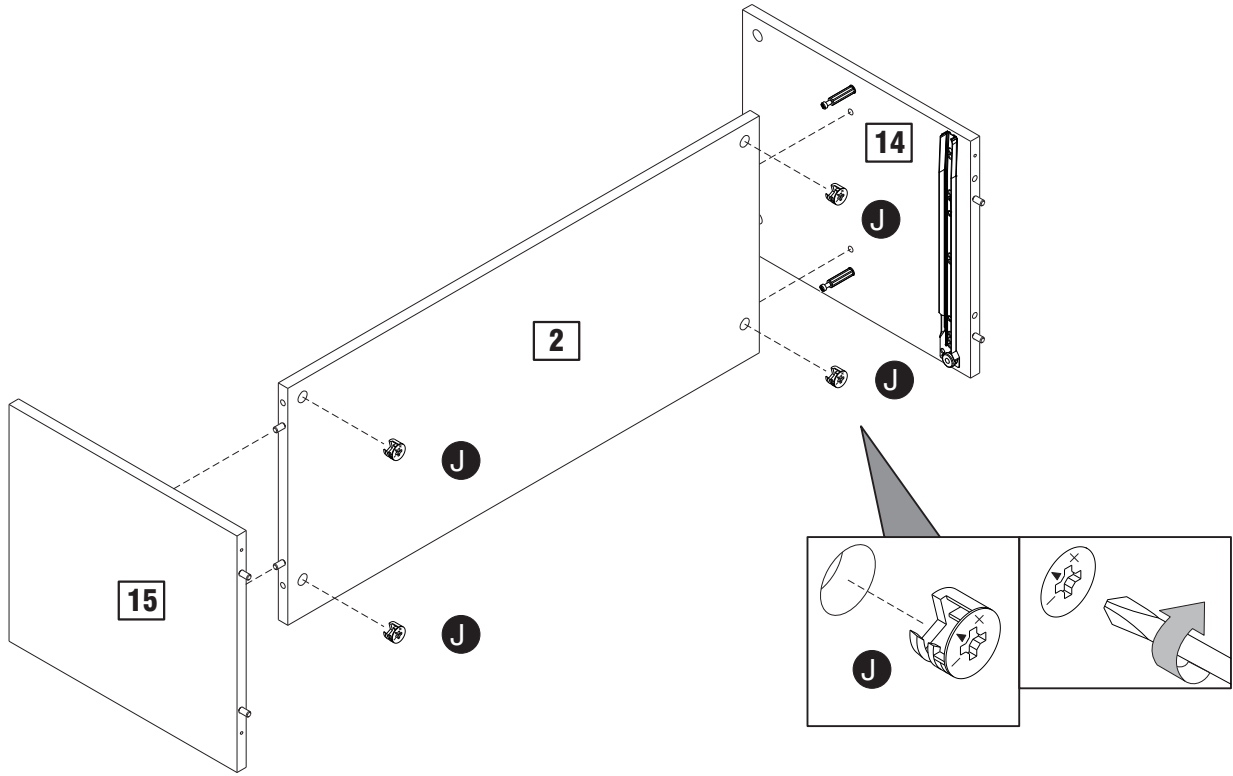
<p>F </p> <p>8mm Screw x 16</p>	<p>M  a</p> <p>Right runner x 4</p>
	<p>N  a</p> <p>Left runner x 4</p>



STEP 5

J

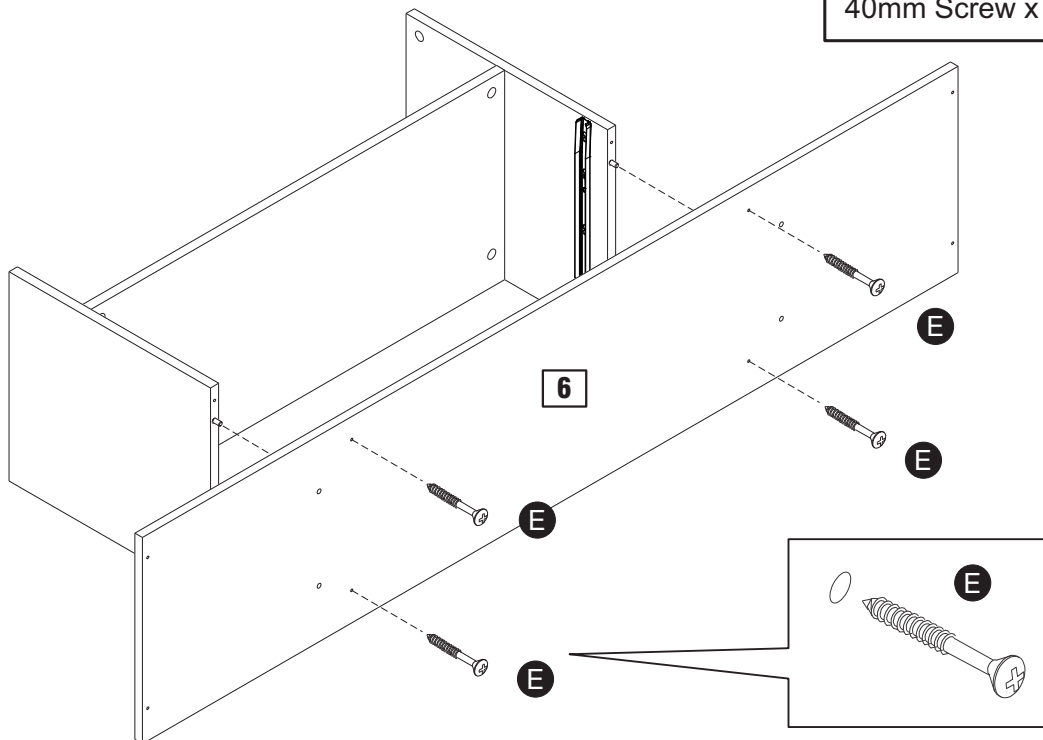
Locking nut x 4




STEP 6

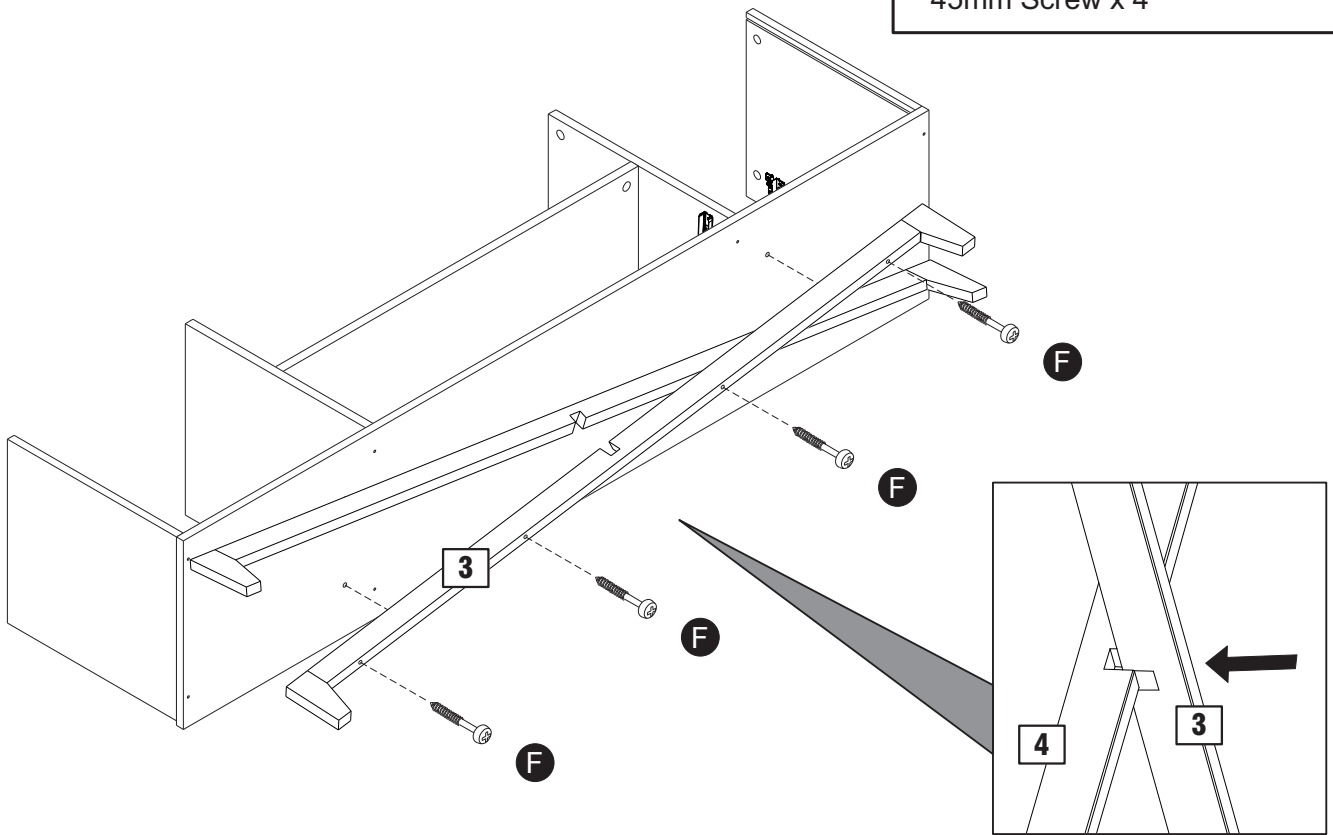
E

40mm Screw x 4



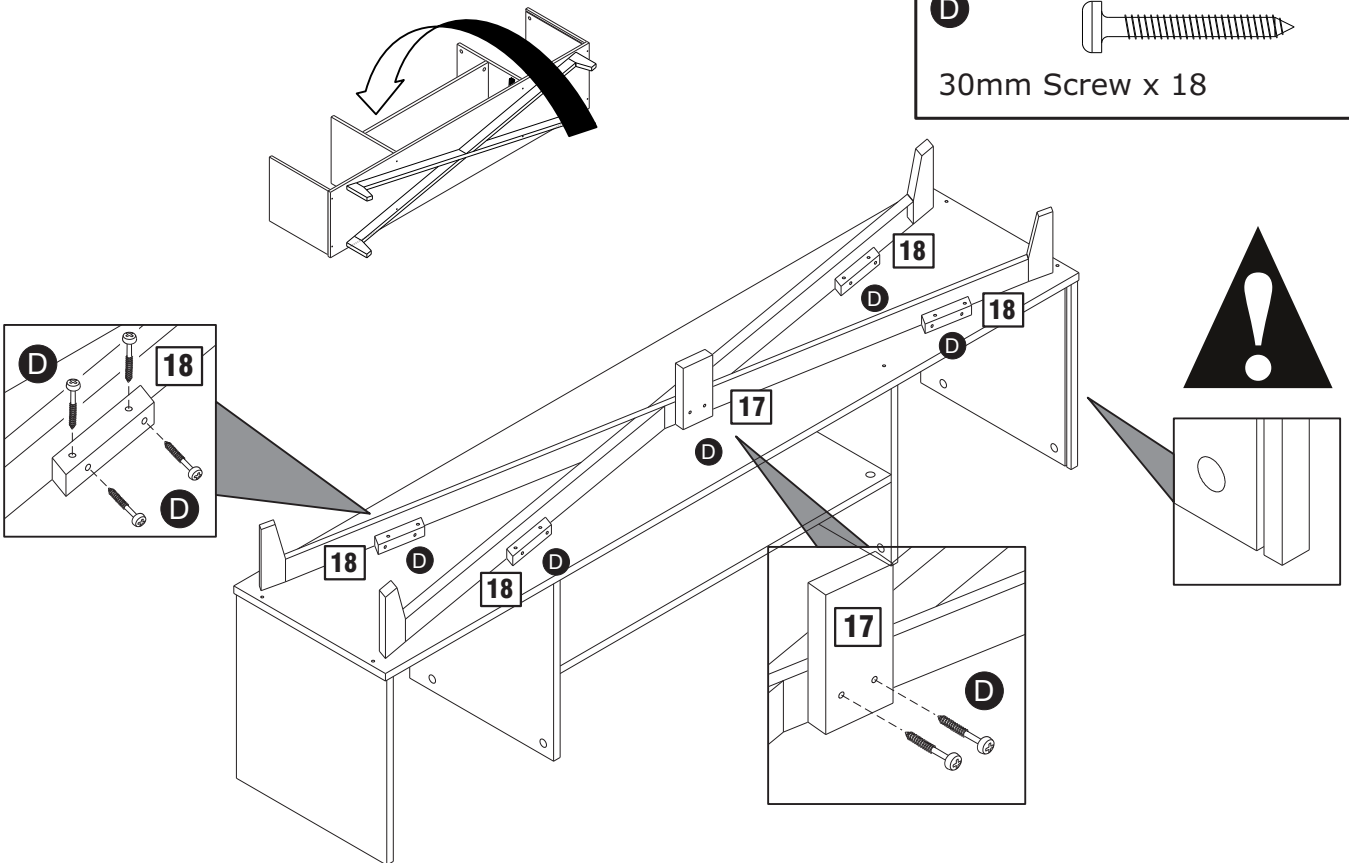
STEP 9

F 
45mm Screw x 4

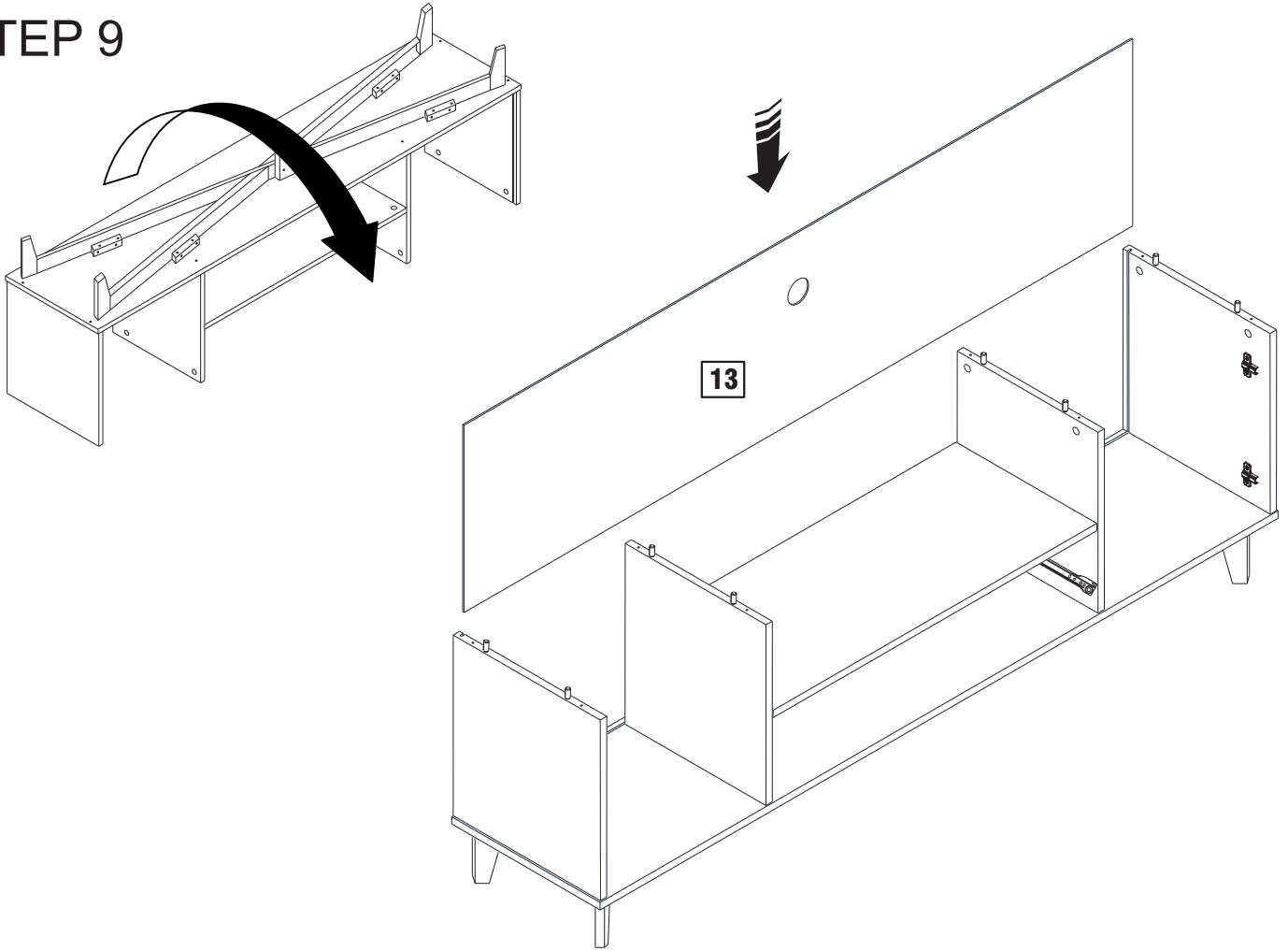


STEP 10

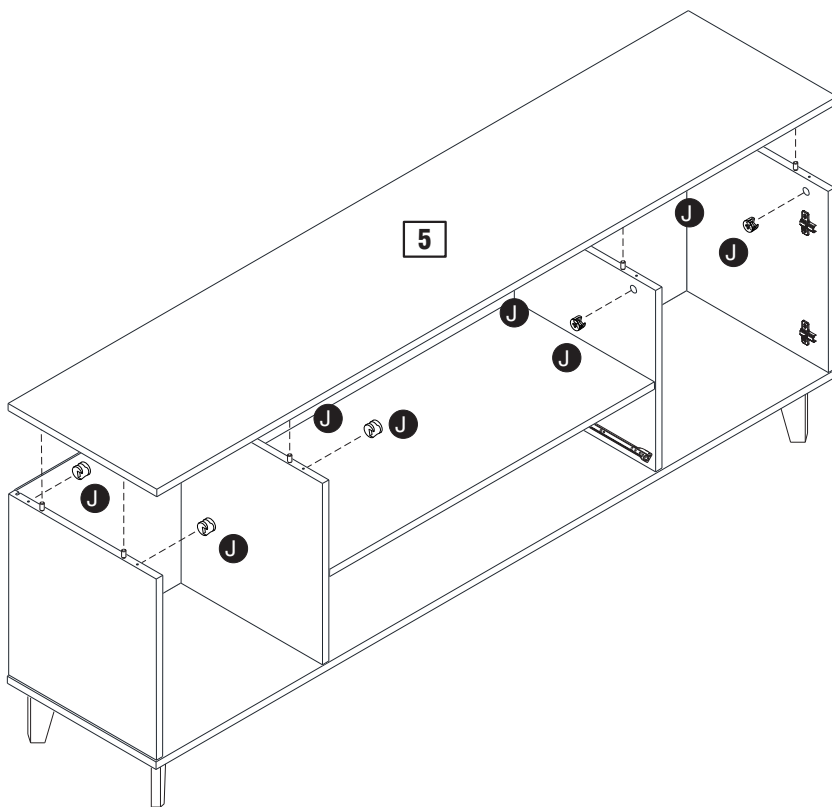
D 
30mm Screw x 18




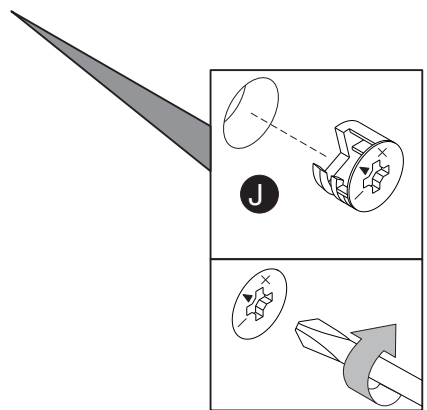
STEP 9




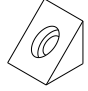
STEP 10

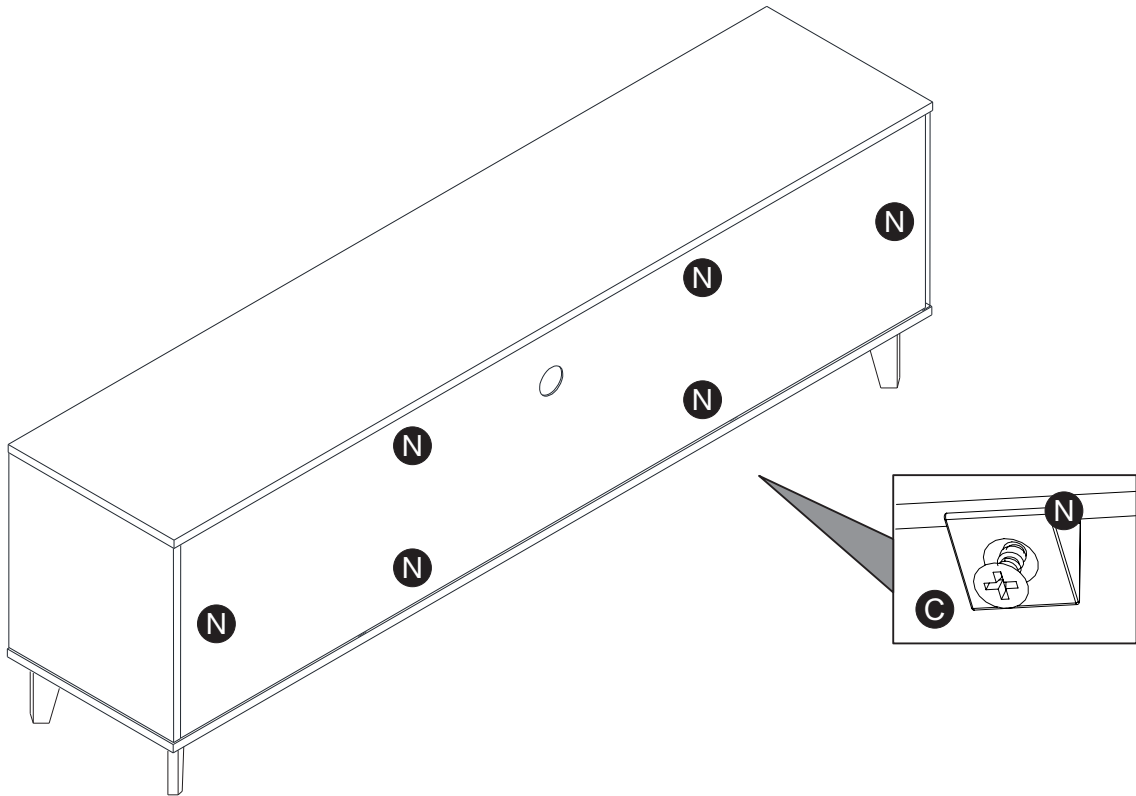


J Locking nut x 8 

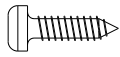
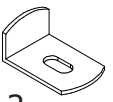


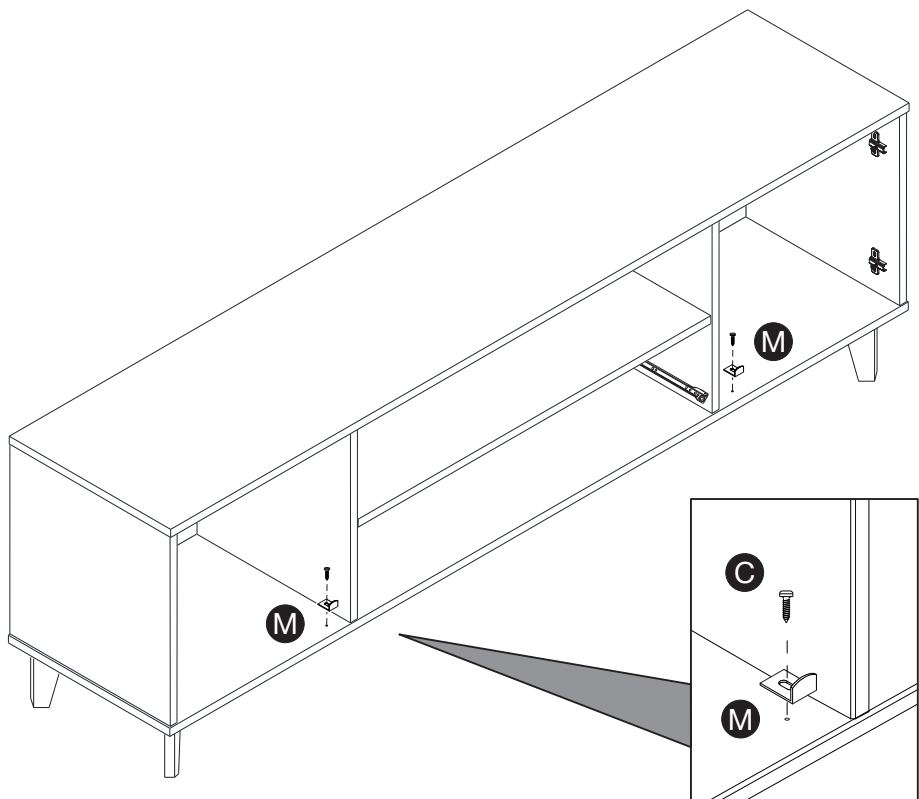
STEP 9

C 14mm Screw x 6		N x 6 xxx x 6	
----------------------------	-----------------------------------------------------------------------------------	-------------------------	-------------------------------------------------------------------------------------

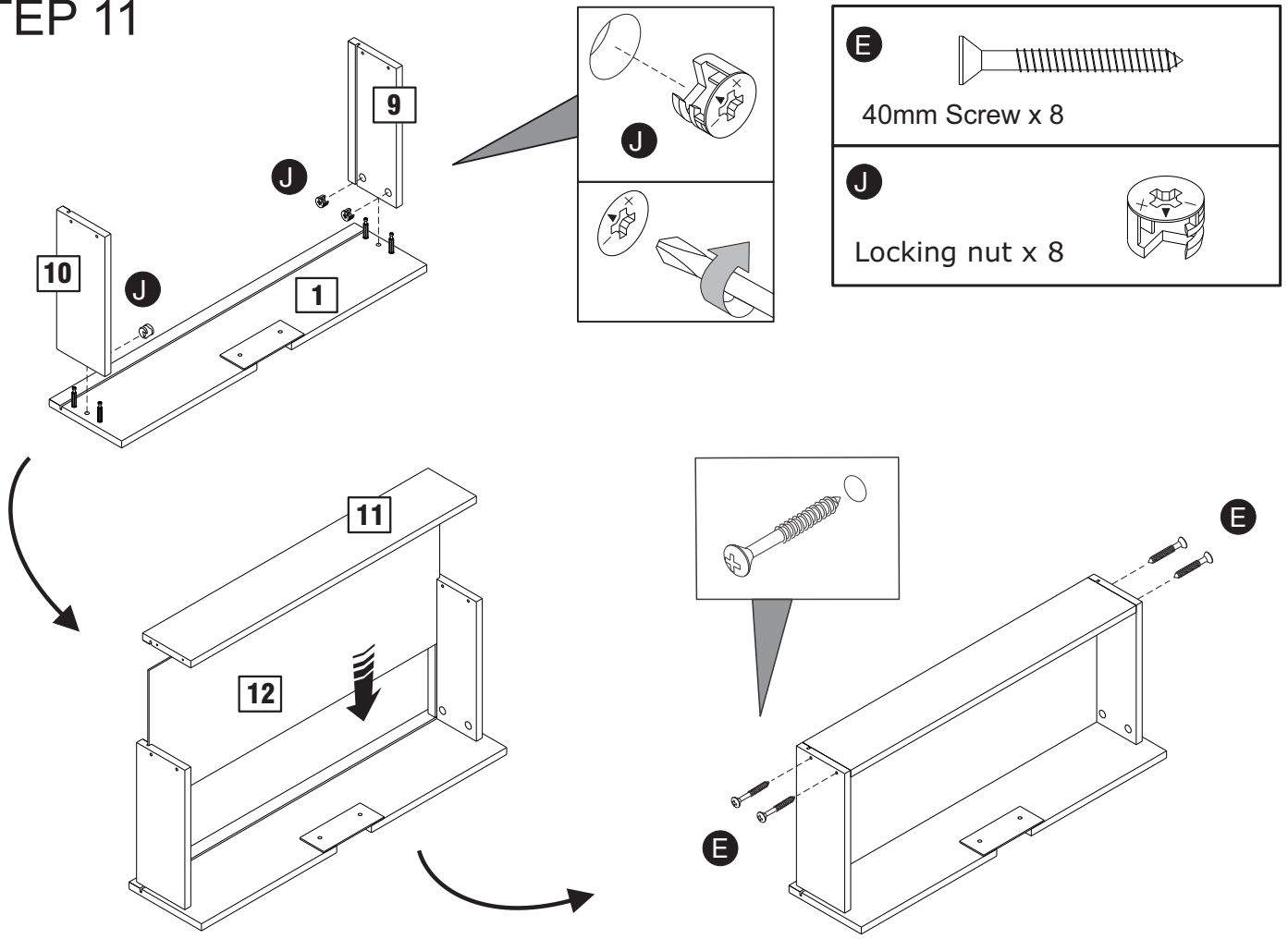




STEP 10

C 14mm Screw x 2	
M Metal Bracket x 2	

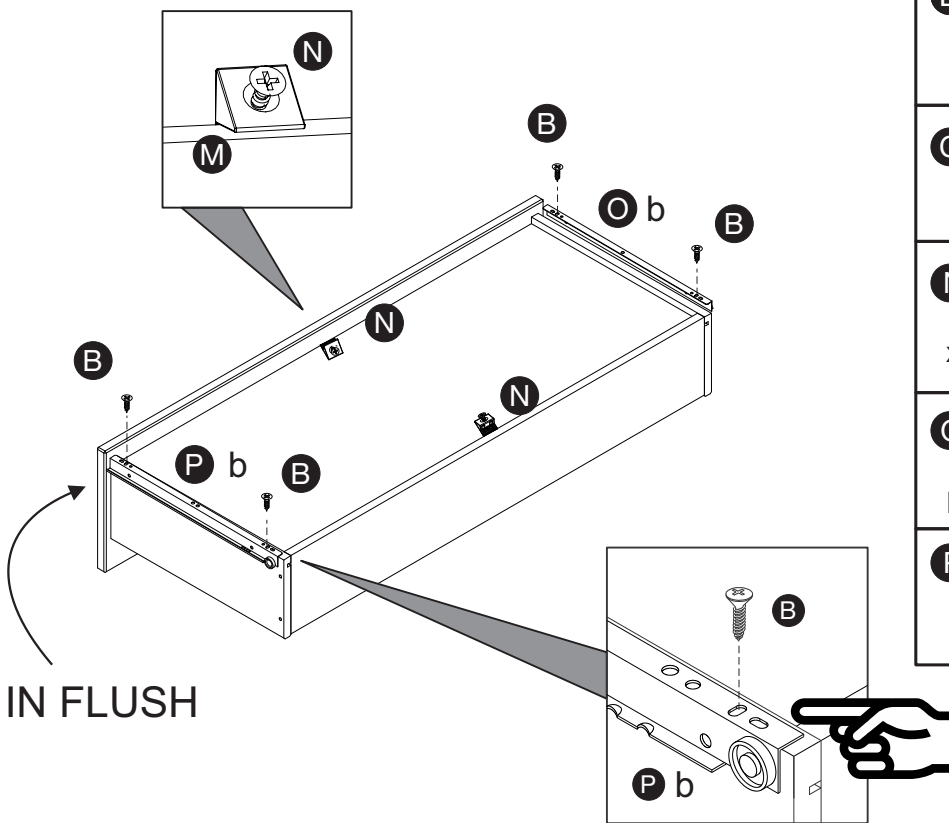


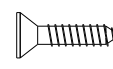
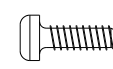
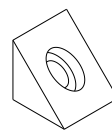
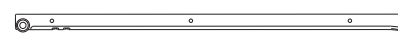
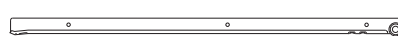
STEP 11



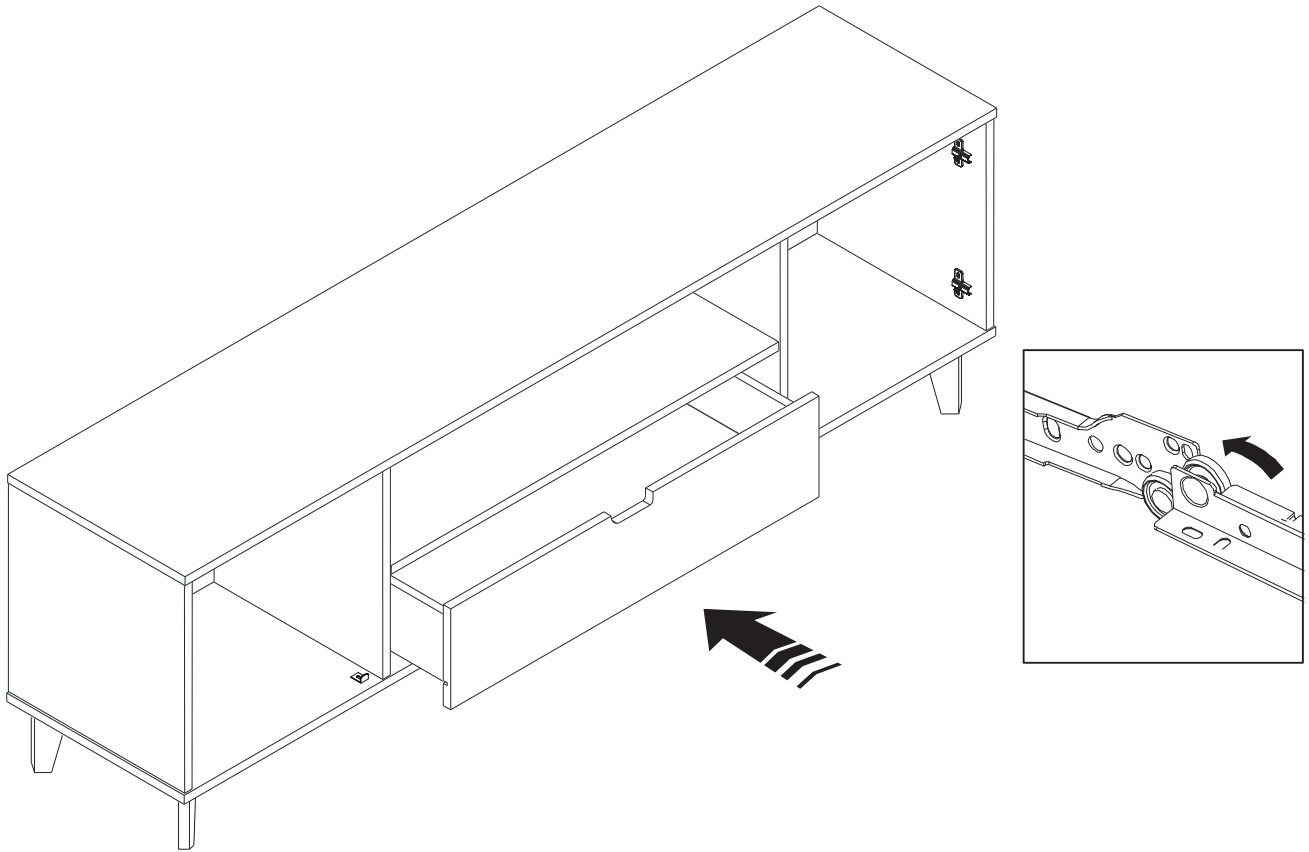
E	
40mm Screw x 8	
J	
Locking nut x 8	

STEP 12


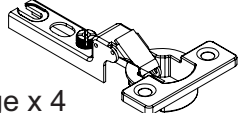


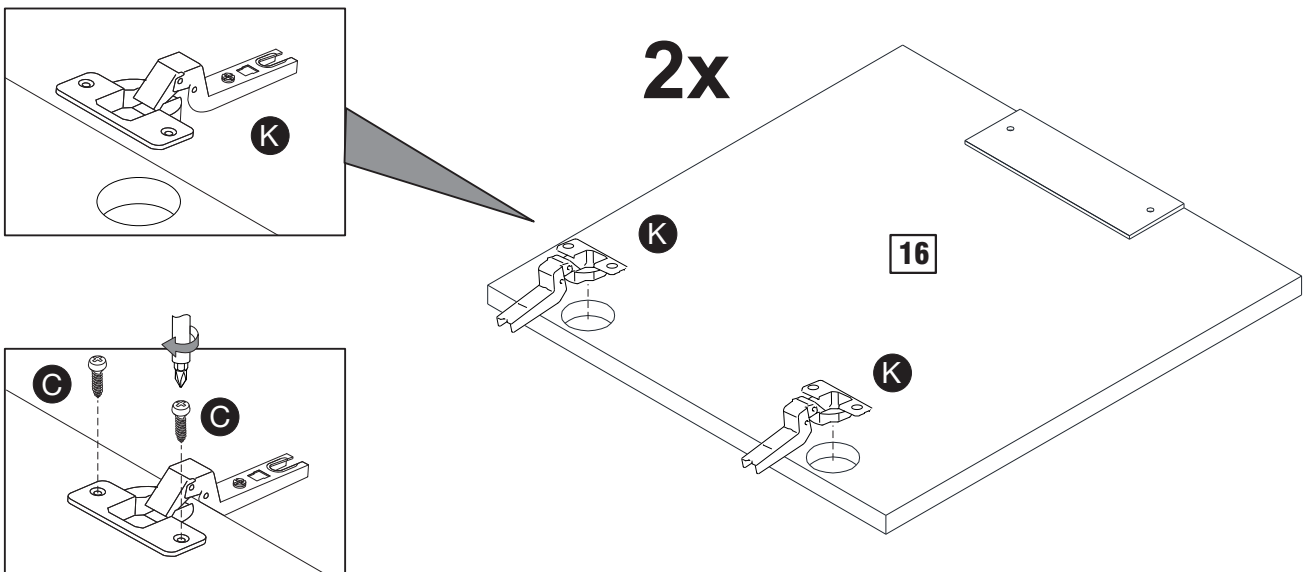
B	
12mm Screw x 4	
C	
14mm Screw x 2	
N	
xxx x 2	
O	
Right runner x 1	
P	
Left runner x 1	

STEP 13

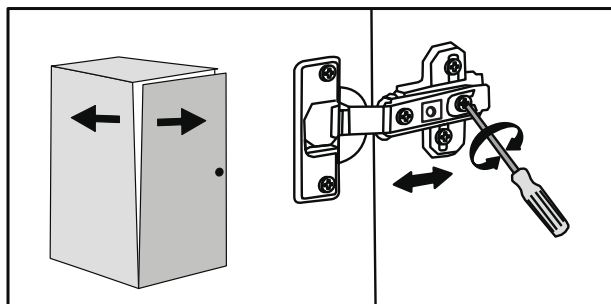
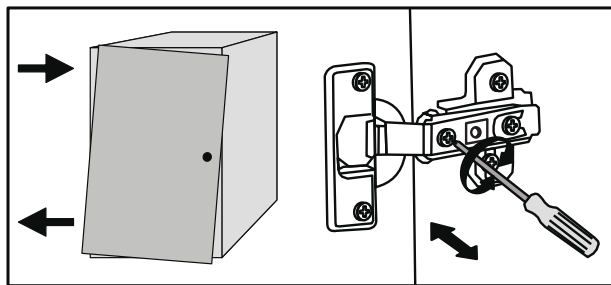
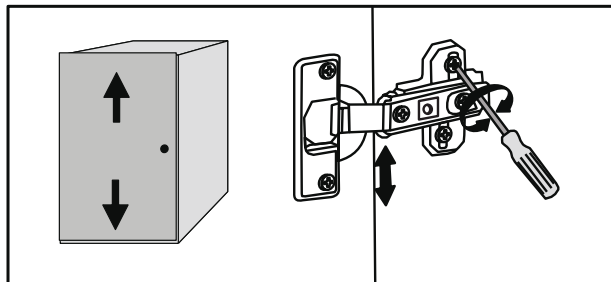
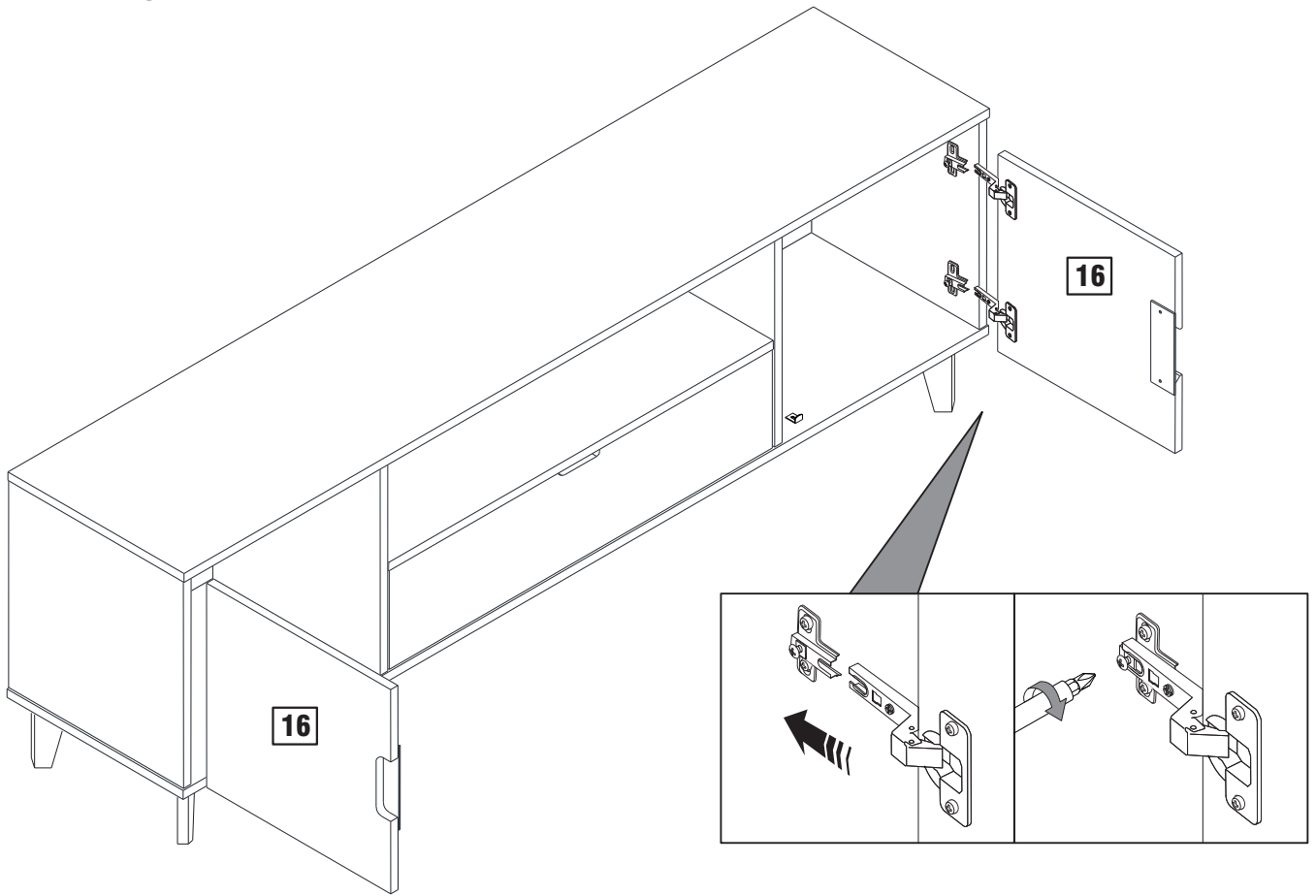


STEP 14

<p>C</p>  <p>14mm Screw x 8</p>	<p>K</p>  <p>Door Hinge x 4</p>
---------------------------------------------------------------------------------------------------------------------------	-----------------------------------------------------------------------------------------------------------------------------

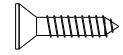


STEP 13



STEP 11

B



12mm Screw x 4

