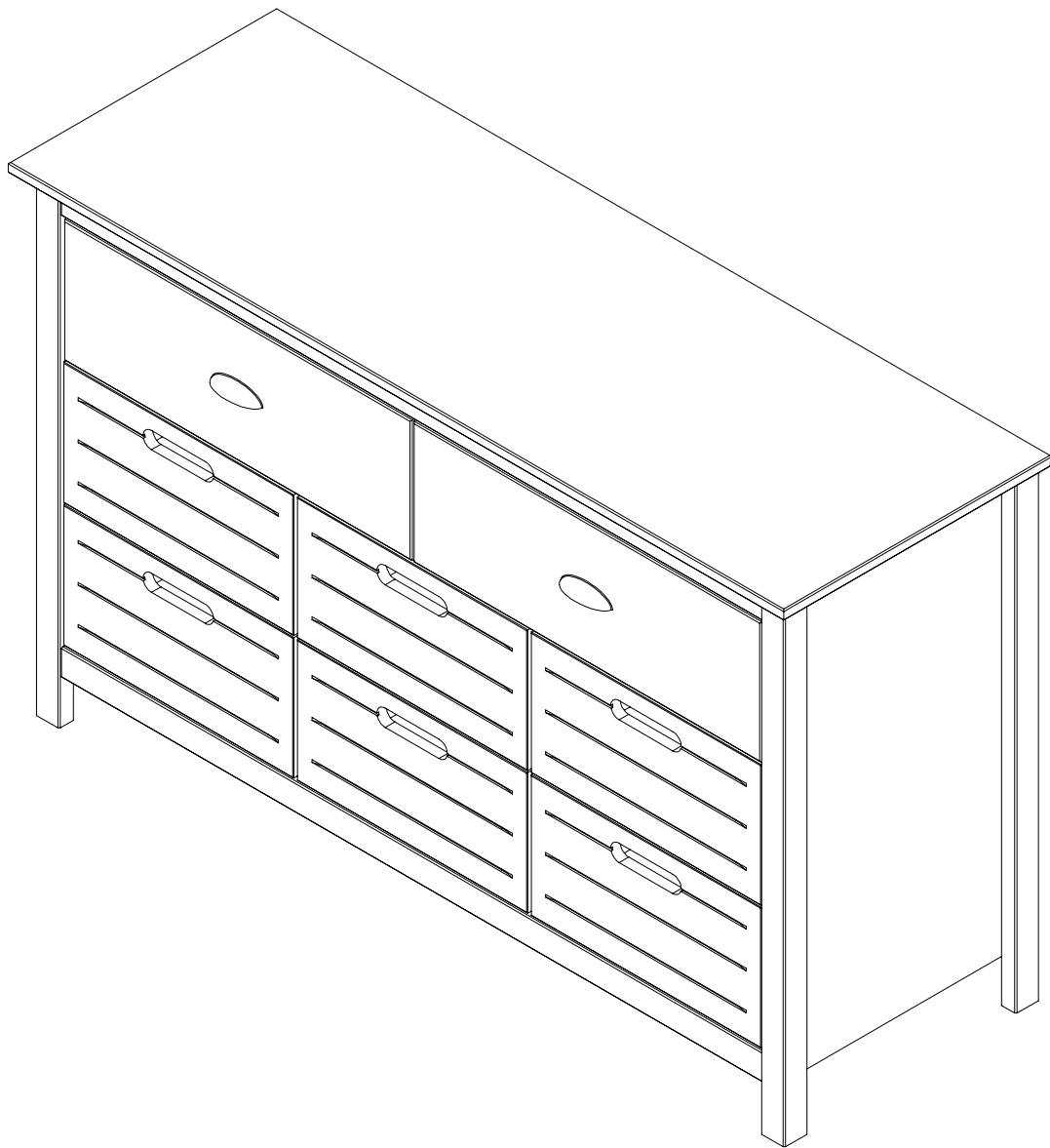


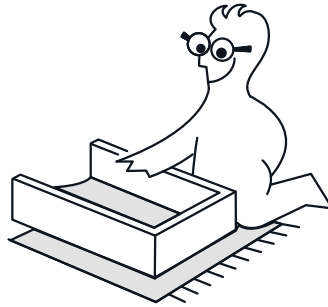
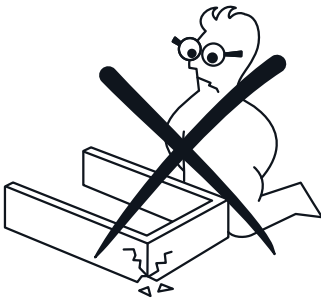


MANHATTAN  
COMFORT

# Irving 51.18" Wide Dresser 3.0

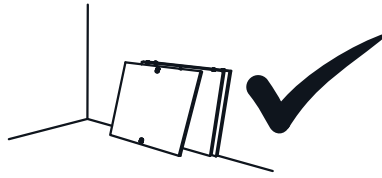
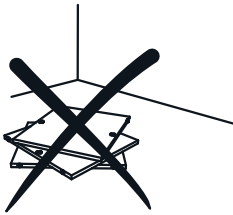


SKU# CS87108

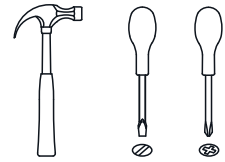


### For Best Results

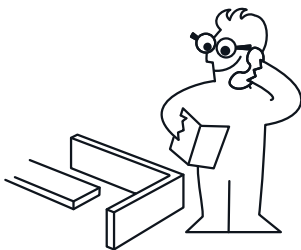
- Do not throw away packaging materials until assembly is complete.
- Assemble item on a soft surface, such as cardboard or carpet, to protect finish.
- Proper assembly requires two people.



Tools  
Required



View our assembly video online  
[www.manhattancomfort.com](http://www.manhattancomfort.com)



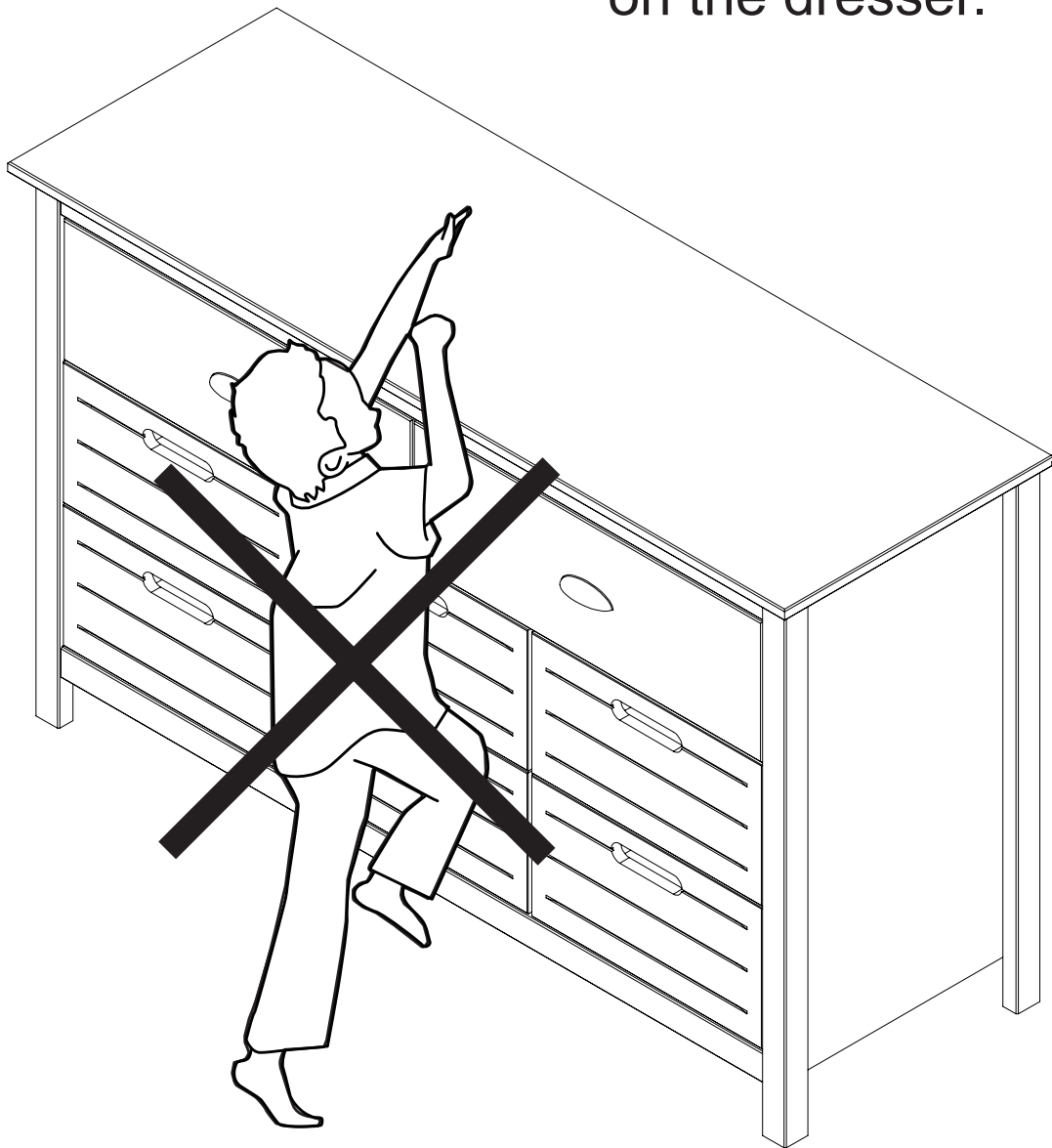
Stuck? Questions? We are here to help.  
1-888-230-2225  
[help@manhattancomfort.com](mailto:help@manhattancomfort.com)

---

## Avoid accidents

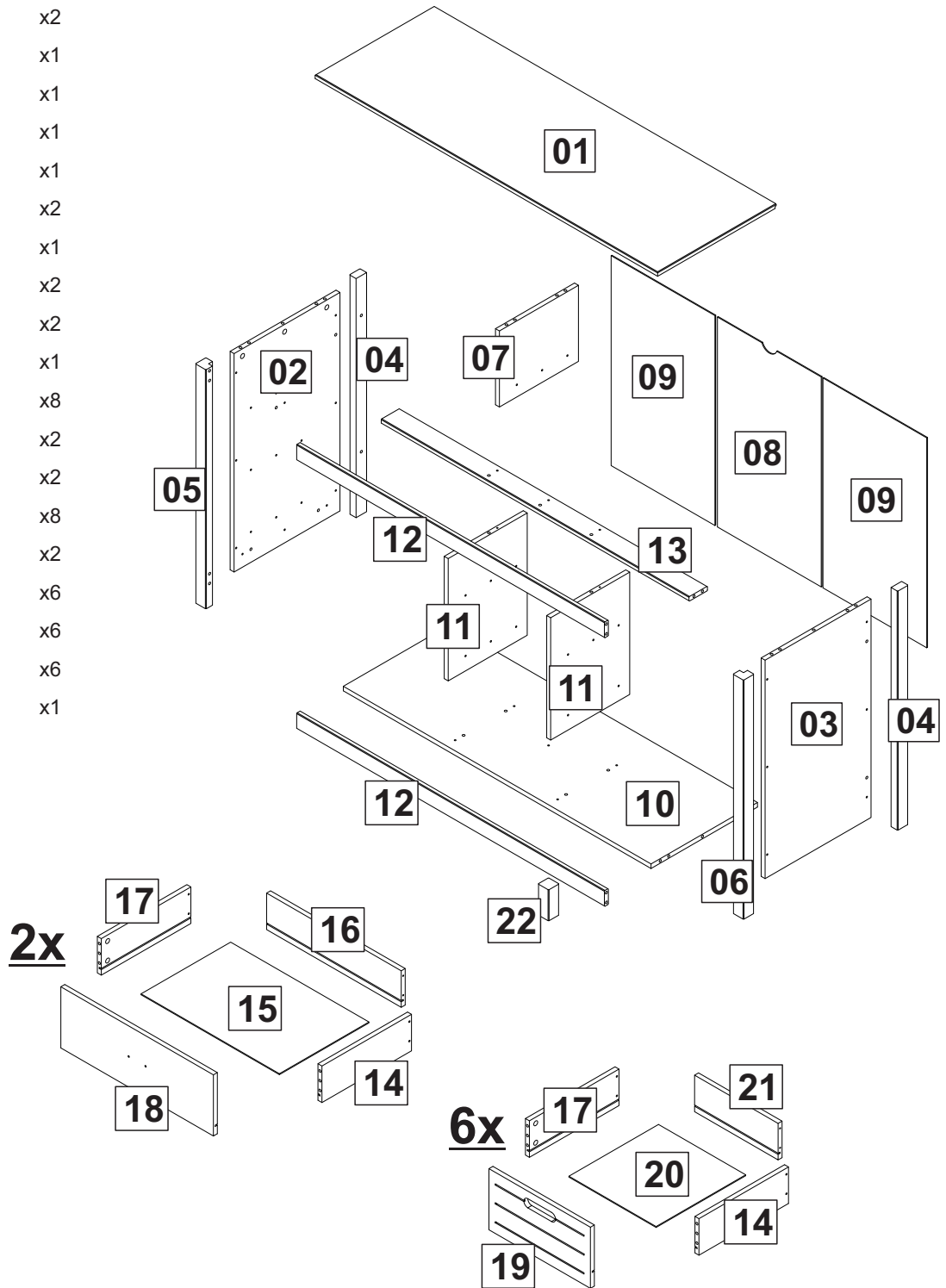
After finishing the assembly of the dresser, use the indicated safety bracket to keep it fixed in the wall.

Do not climb or lean on the dresser.

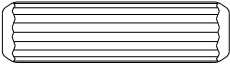
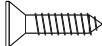



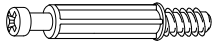







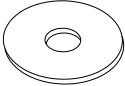

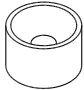
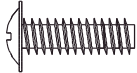
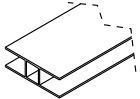
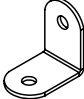


# Included in this Package

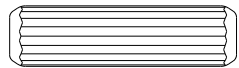

- |    |                   |    |
|----|-------------------|----|
| 1  | Top panel         | x1 |
| 2  | Left side panel   | x1 |
| 3  | Right side panel  | x1 |
| 4  | Back leg          | x2 |
| 5  | Left leg          | x1 |
| 6  | Right leg         | x1 |
| 7  | Central batten    | x1 |
| 8  | Back panel        | x1 |
| 9  | Back panel        | x2 |
| 10 | Bottom panel      | x1 |
| 11 | Central batten    | x2 |
| 12 | Front frame       | x2 |
| 13 | Central batten    | x1 |
| 14 | Right drawer side | x8 |
| 15 | Drawer bottom     | x2 |
| 16 | Drawer back       | x2 |
| 17 | Left drawer side  | x8 |
| 18 | Drawer front      | x2 |
| 19 | Drawer front Wood | x6 |
| 20 | Drawer bottom     | x6 |
| 21 | Drawer back       | x6 |
| 22 | Center leg        | x1 |

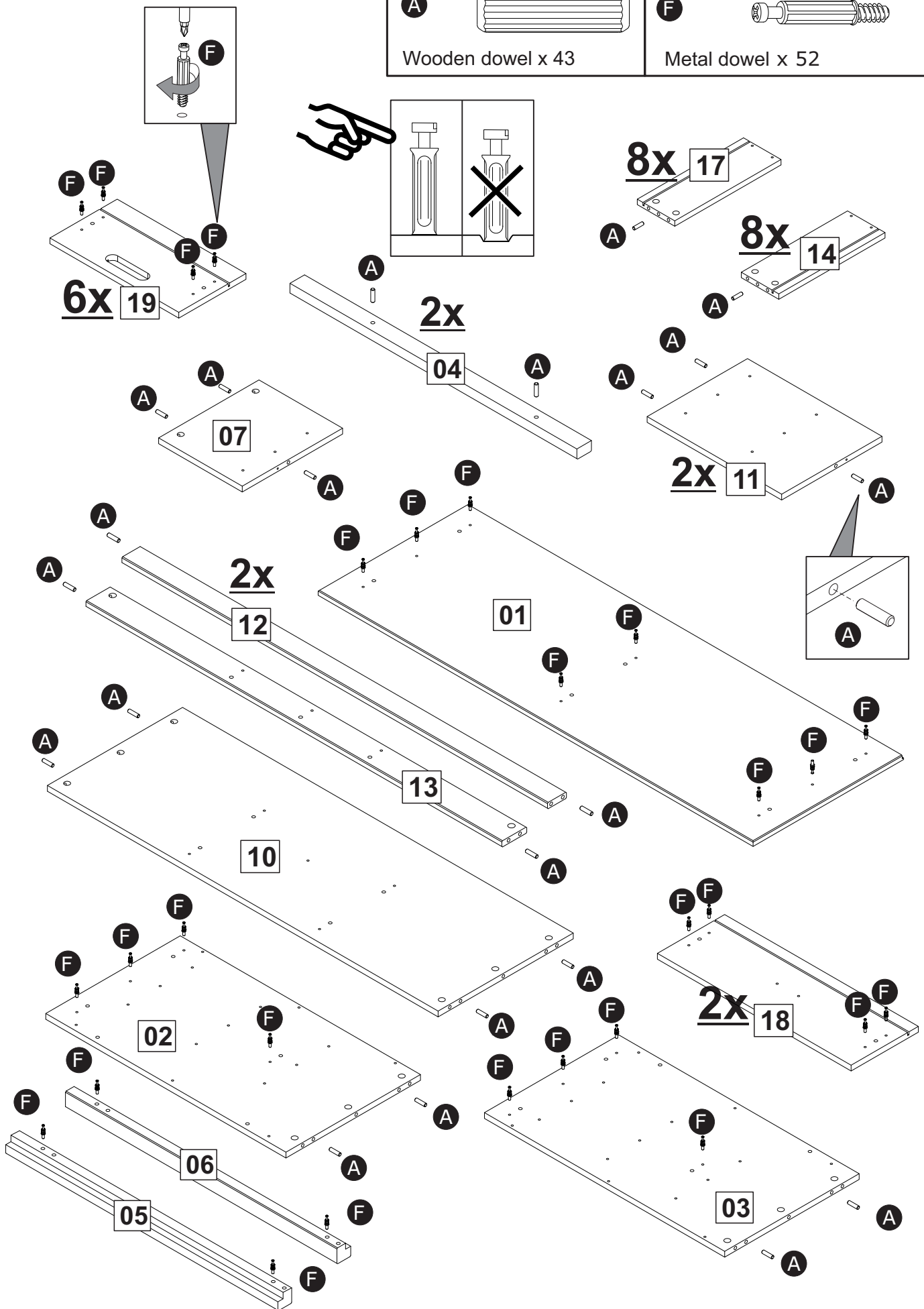


# Included in this Package

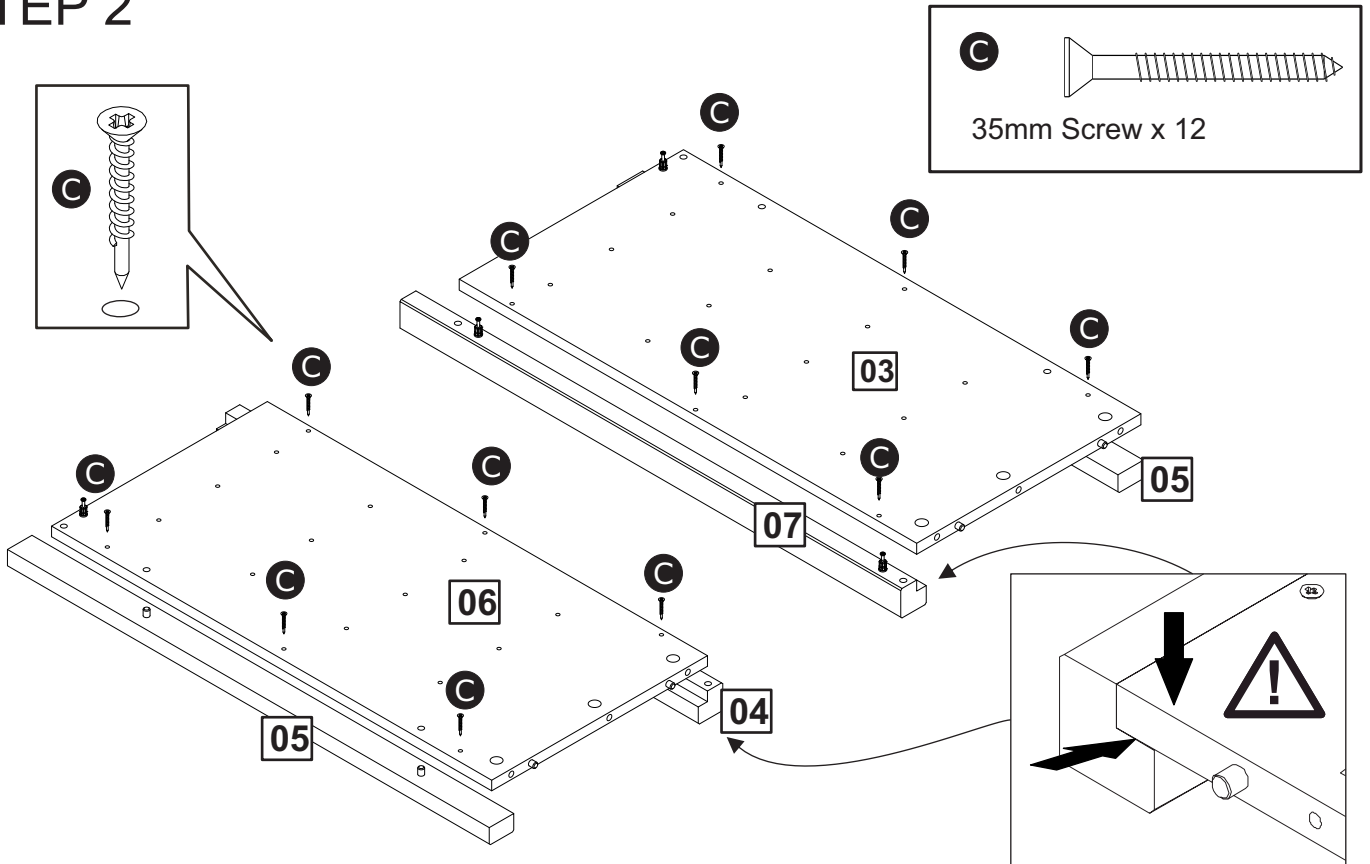
<p><b>A</b> </p> <p>Wooden dowel x 43</p>	<p><b>B</b> </p> <p>12mm Screw x 69</p>	<p><b>C</b> </p> <p>35mm Screw x 52</p>
<p><b>D</b> </p> <p>8mm Screw x 30</p>	<p><b>E</b> </p> <p>20mm Screw x 18</p>	<p><b>F</b> </p> <p>Metal dowel x 52</p>
<p><b>G</b> </p> <p>Locking nut x 52</p>	<p><b>H</b> </p> <p>Dwr Handle x 2</p>	<p><b>I</b> </p> <p>Nail x 30</p>
<p><b>J</b> a  b </p> <p>Right runner x 8</p>	<p><b>K</b> a  b </p> <p>Left runner x 8</p>	<p><b>L</b> </p> <p>Washer x 2</p>
<p><b>M</b> </p> <p>Wall strap x 1</p>	<p><b>N</b> </p> <p>Plastic Spacer x 18</p>	<p><b>O</b> </p> <p>18mm Screw M4 x 4</p>
<p><b>P</b> </p> <p>H profile x 2</p>	<p><b>Q</b> </p> <p>Metal Bracket x 2</p>	

# STEP 1

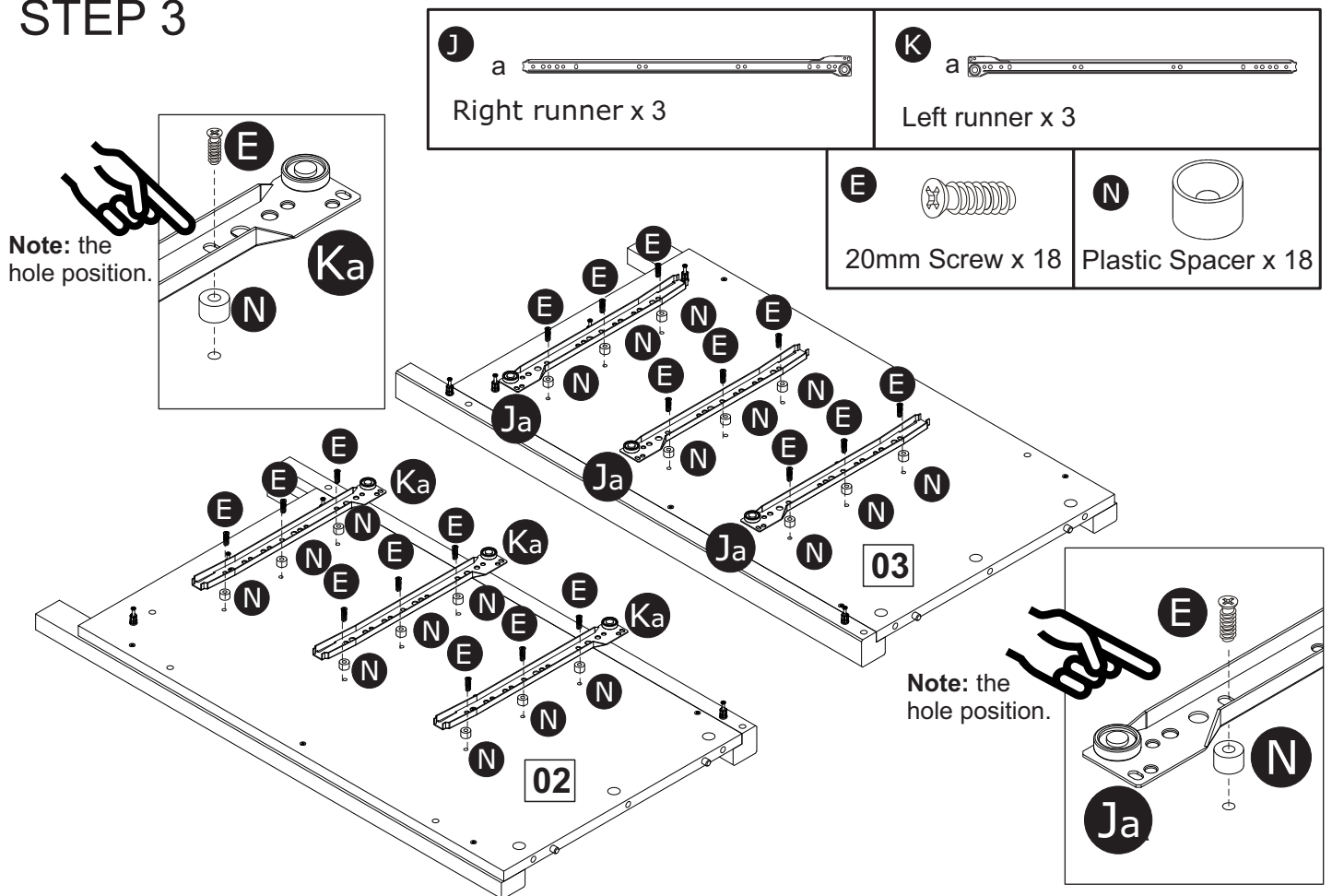
<p><b>A</b> </p> <p>Wooden dowel x 43</p>	<p><b>F</b> </p> <p>Metal dowel x 52</p>
---	---





# STEP 2




# STEP 3

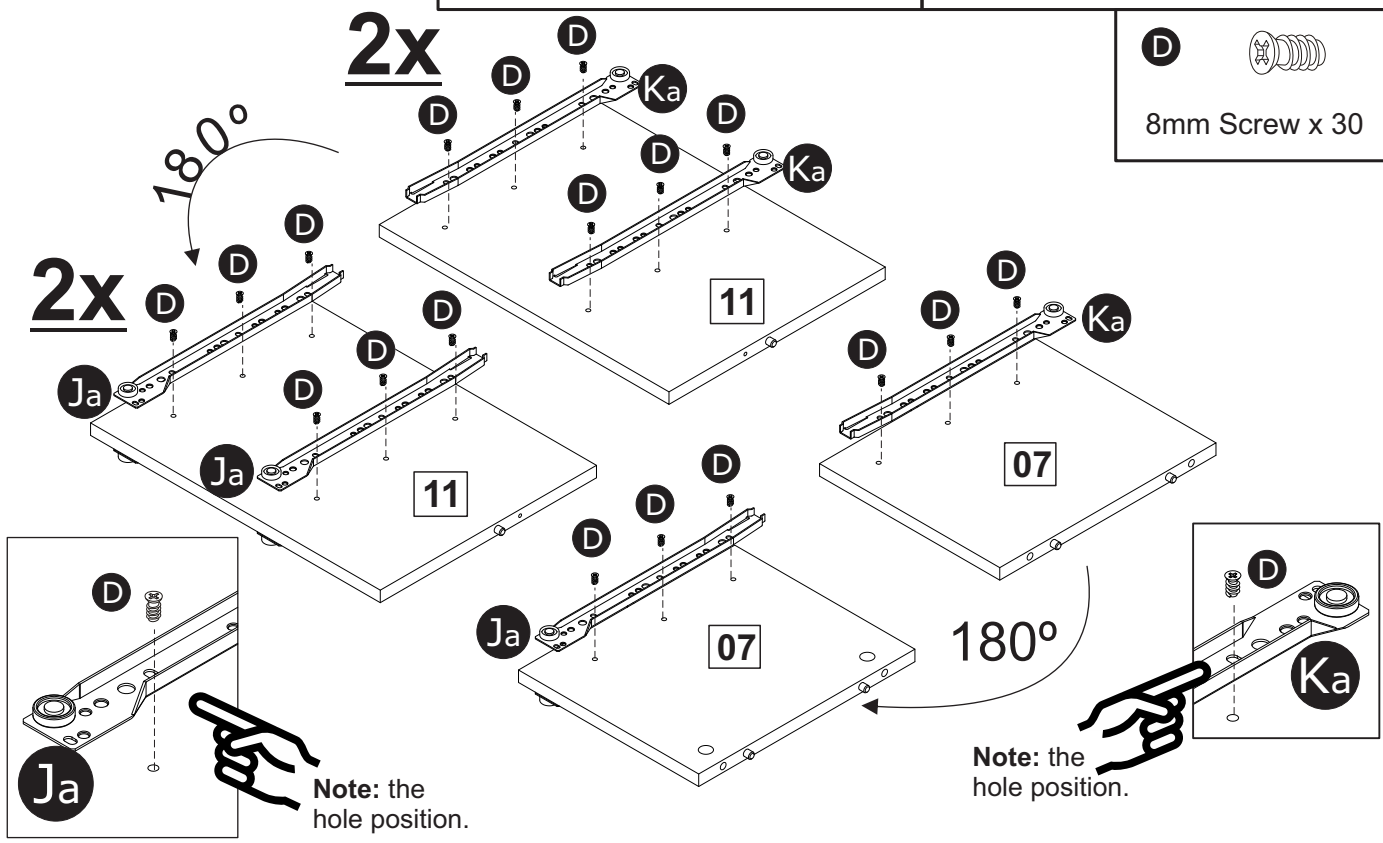


# STEP 4

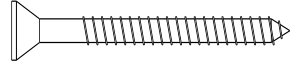
<p><b>J</b> a </p> <p>Right runner x 5</p>	<p><b>K</b> a </p> <p>Left runner x 5</p>
---	--

**D** 

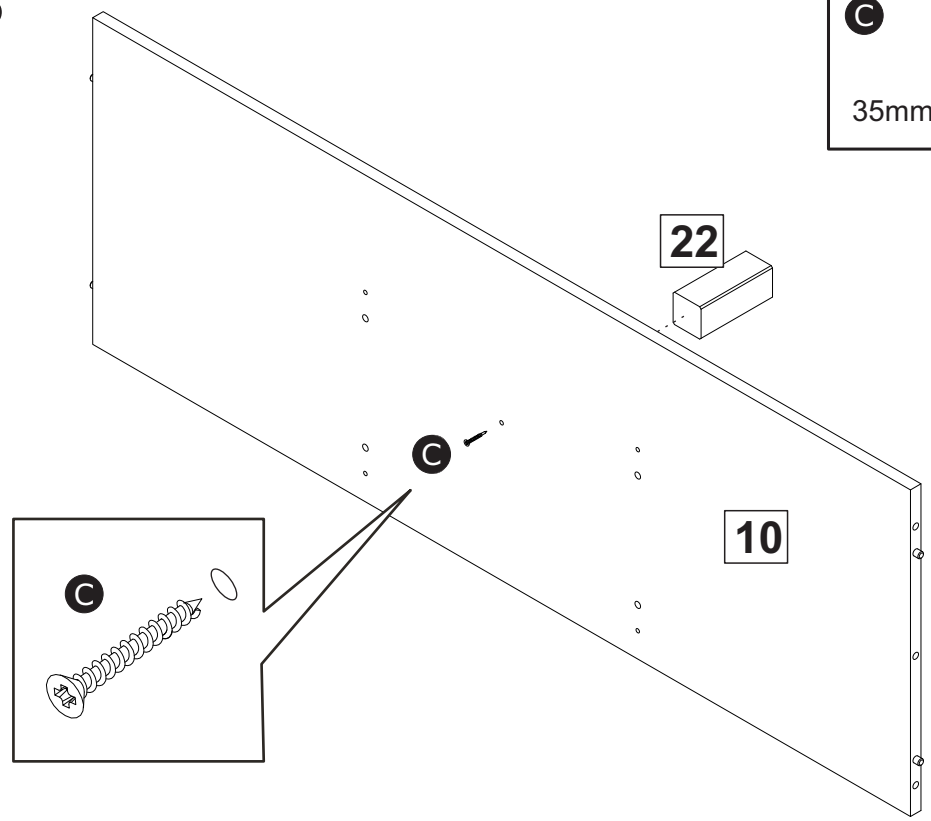
8mm Screw x 30



# STEP 5

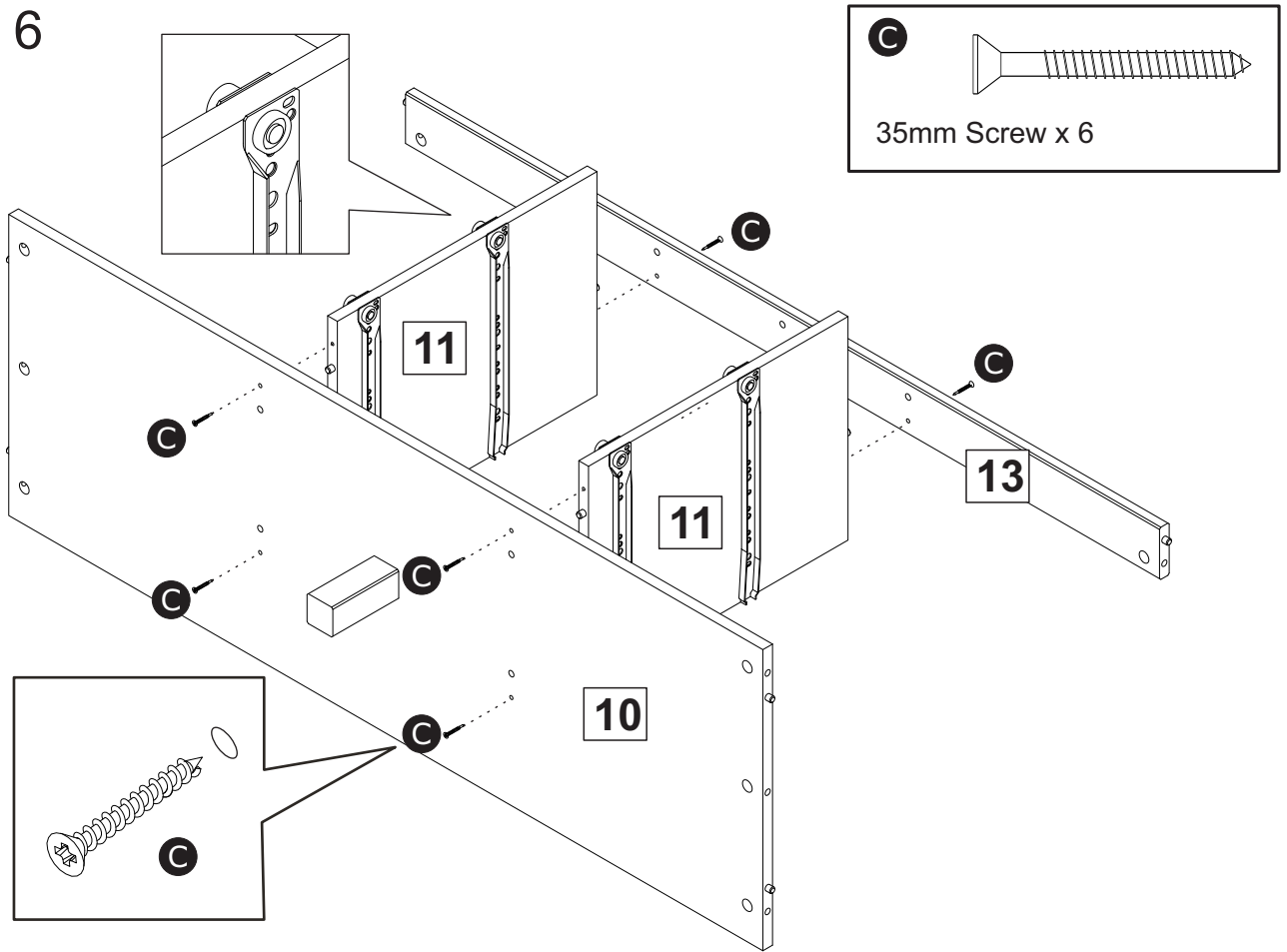
**C** 

35mm Screw x 1

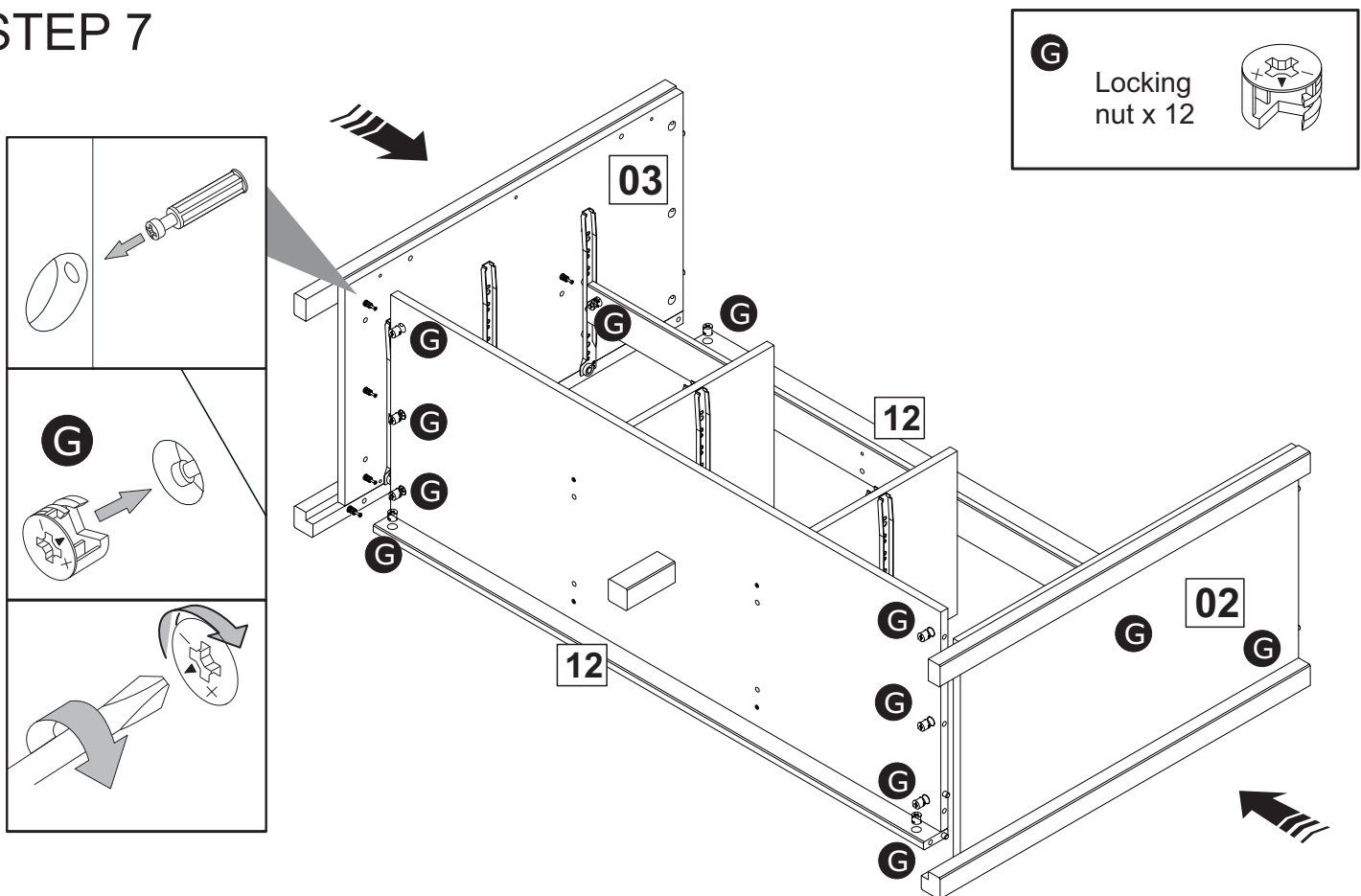




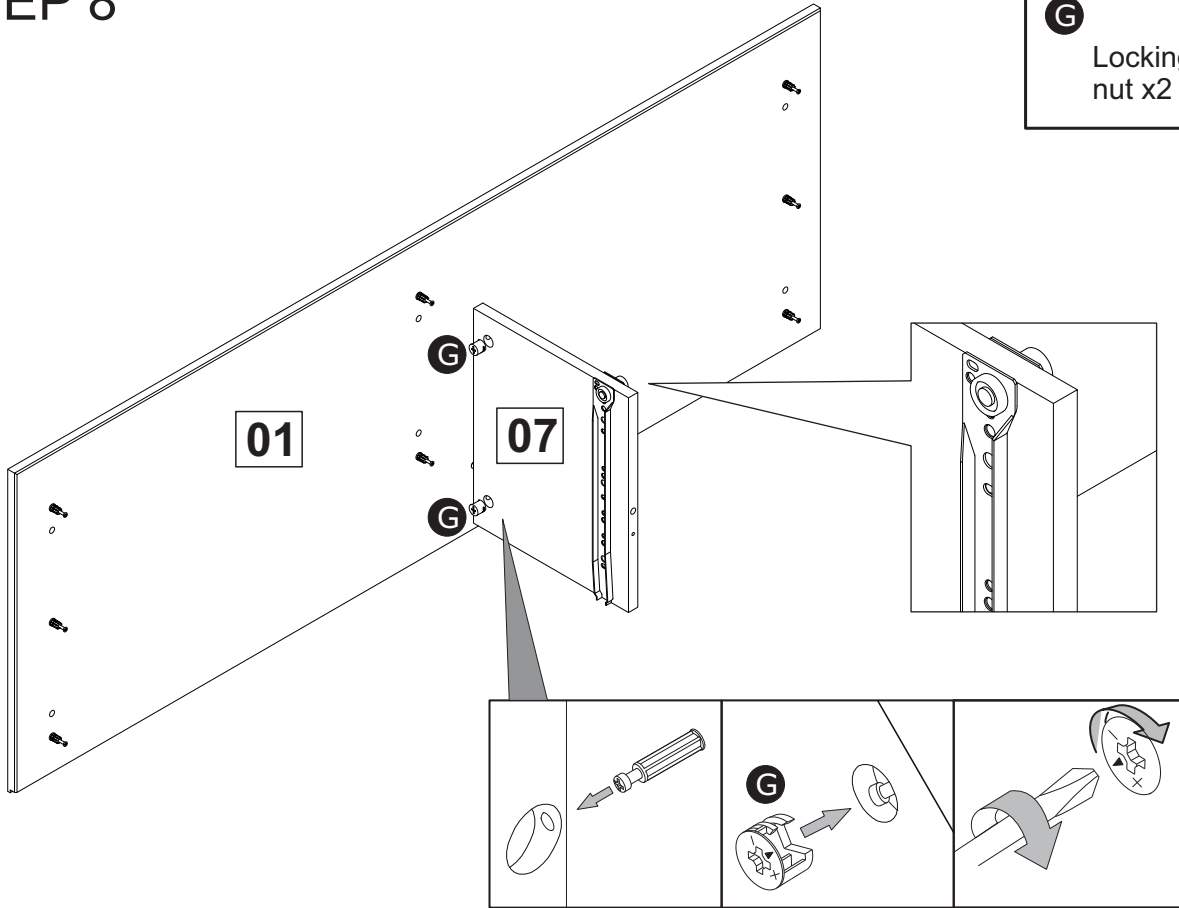
# STEP 6



# STEP 7

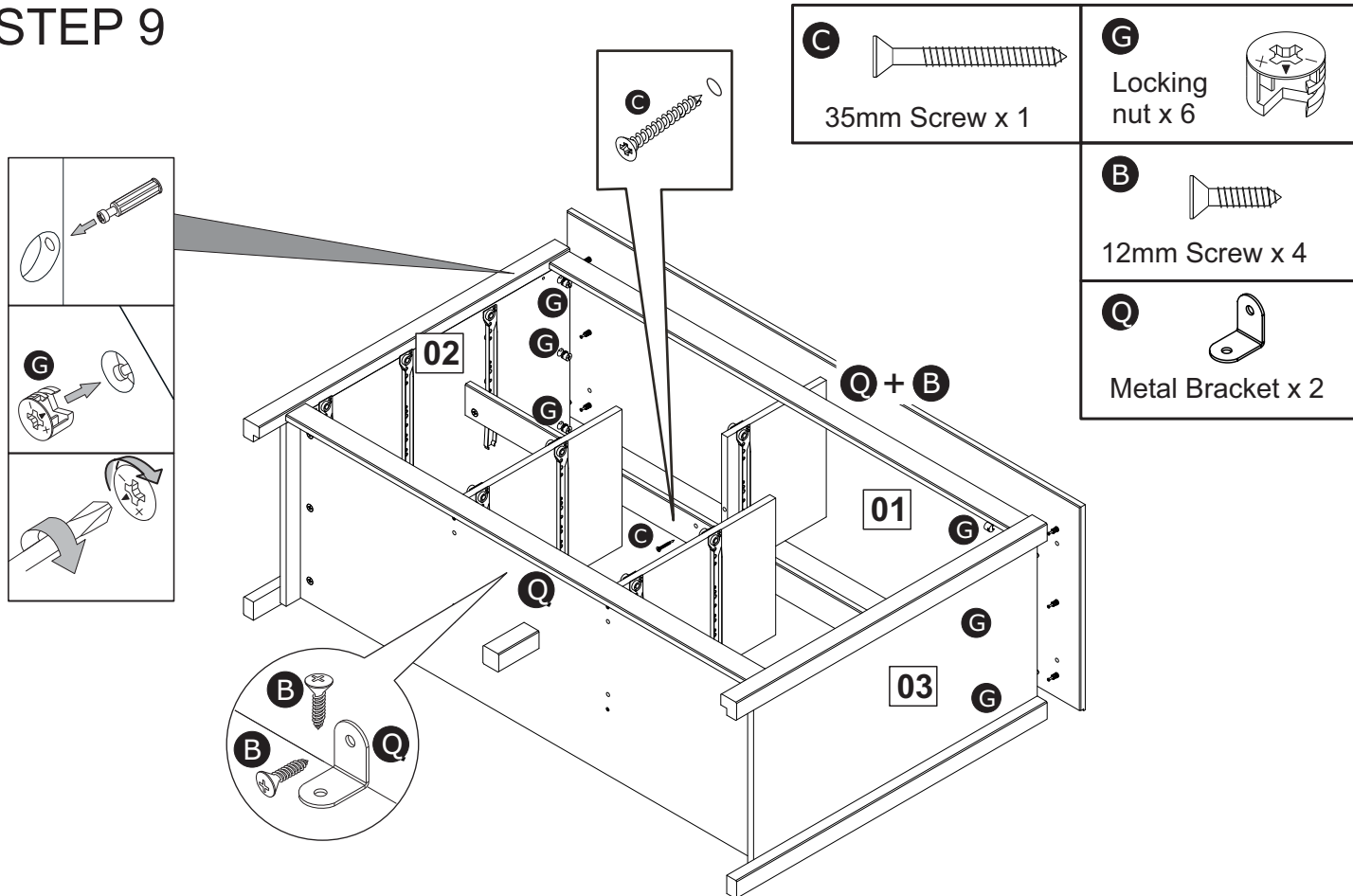


# STEP 8



<b>G</b>	Locking nut x2	
----------	----------------	--

# STEP 9





<b>C</b>	
35mm Screw x 1	

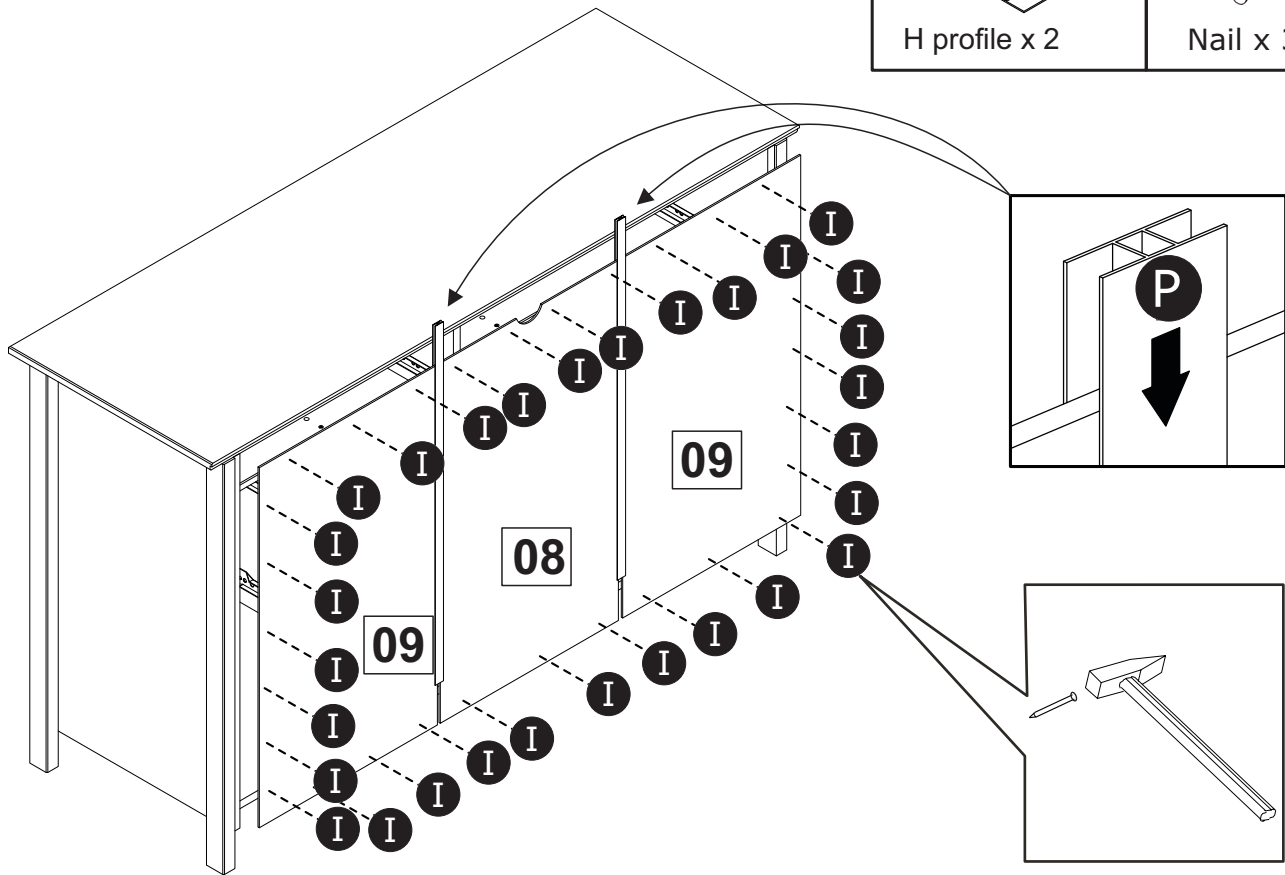
<b>G</b>	
Locking nut x 6	

<b>B</b>	
12mm Screw x 4	

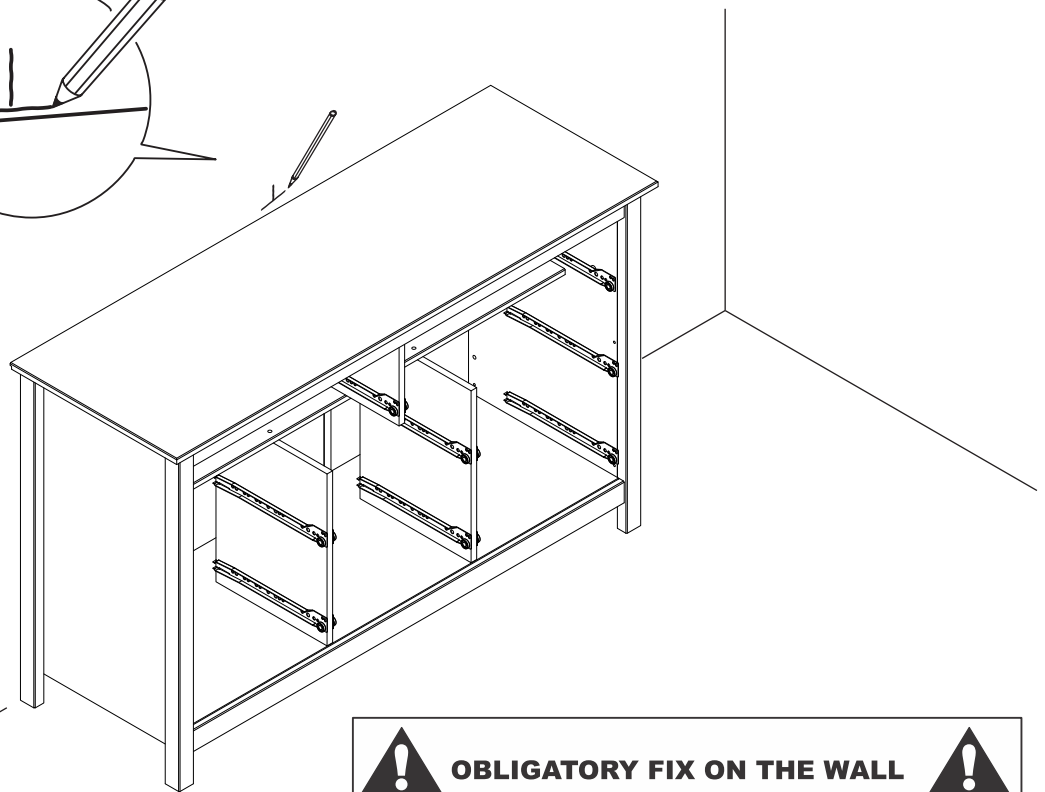
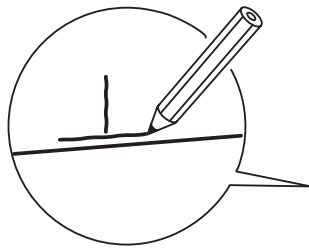
<b>Q</b>	
Metal Bracket x 2	

# STEP 8

<b>P</b>  H profile x 2	<b>I</b>  Nail x 30
--	--

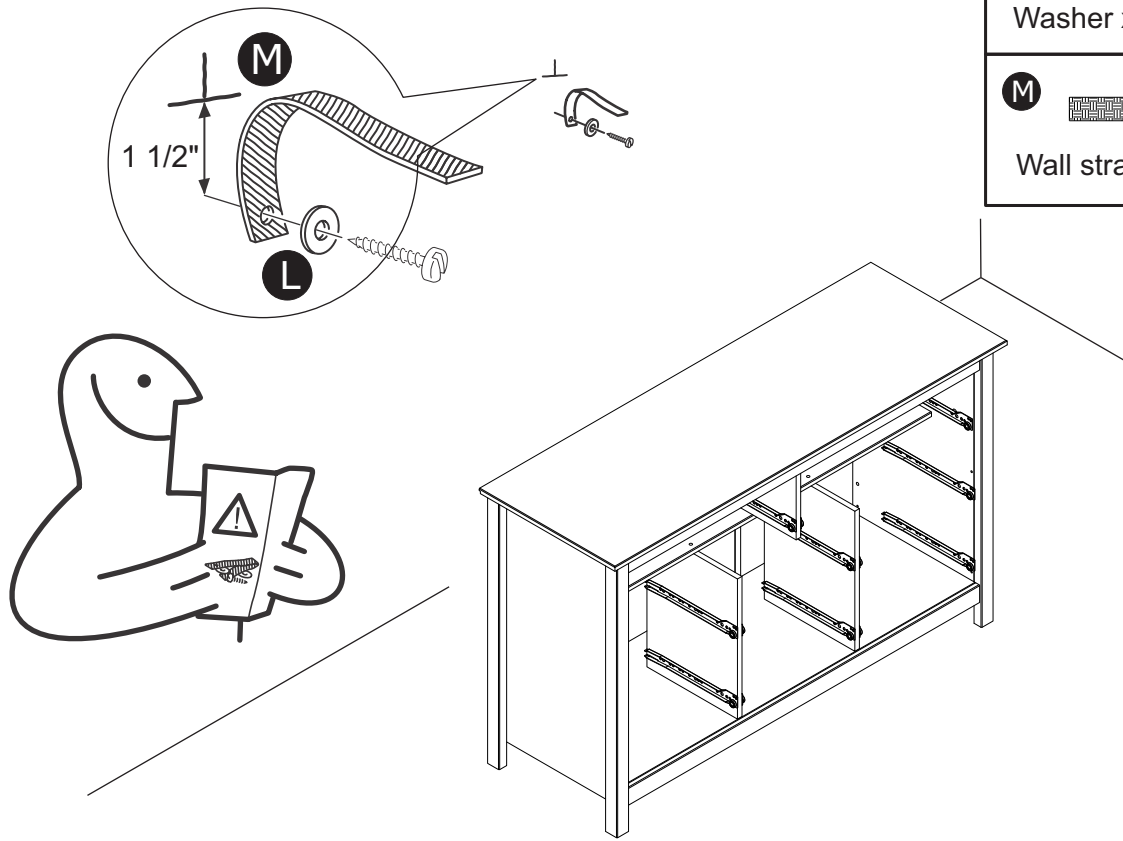


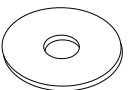

# STEP 9



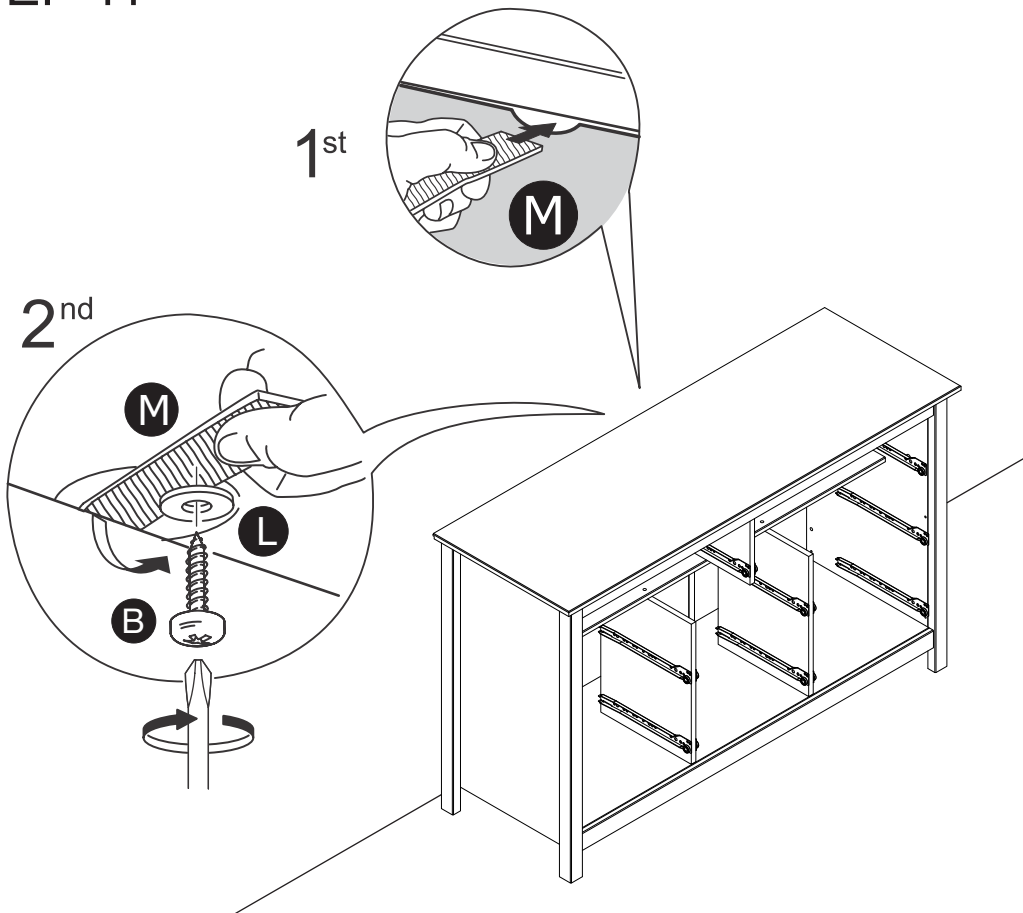
**!** OBLIGATORY FIX ON THE WALL **!**


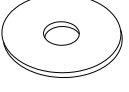
# STEP 10



<b>L</b>	
Washer x 1	
<b>M</b>	
Wall strap x 1	

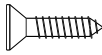
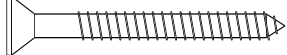
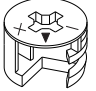
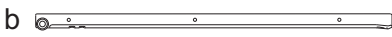


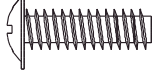
# STEP 11



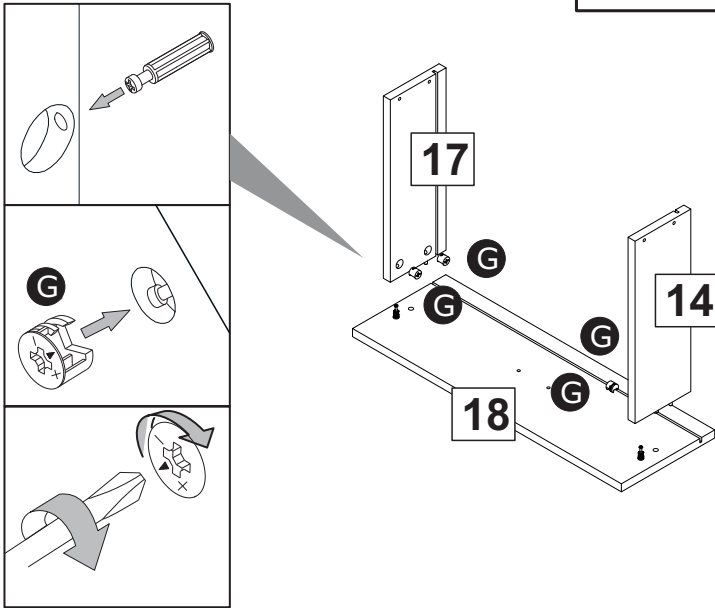
<b>B</b>	
12mm Screw x 1	
<b>L</b>	
Washer x 1	

# STEP 12

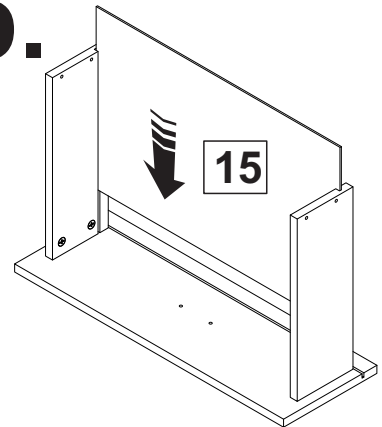
# 2x

<p><b>B</b> </p> <p>12mm Screw x 8</p>	<p><b>C</b> </p> <p>35mm Screw x 8</p>	<p><b>G</b> </p> <p>Locking nut x 8</p>
<p><b>J</b> </p> <p>b Right runner x 2</p>		<p><b>K</b> </p> <p>b Left runner x 2</p>
<p><b>H</b> </p> <p>Dwr Handle x 2</p>		<p><b>O</b> </p> <p>18mm Screw M4 x 4</p>

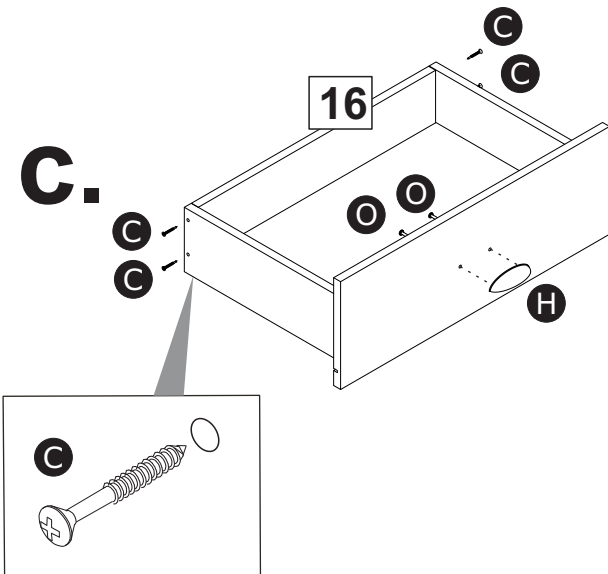
**a.**



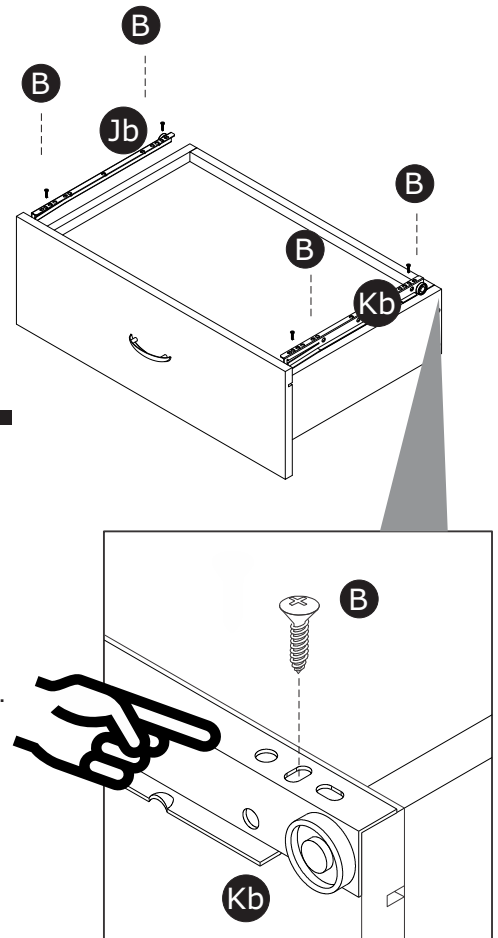
**b.**



**c.**

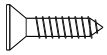
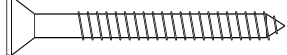
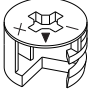
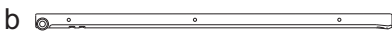



**d.**

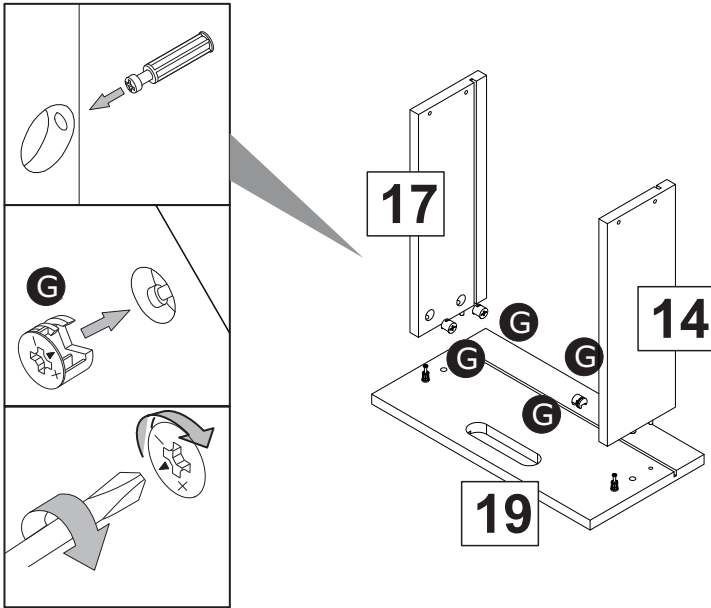


# STEP 14

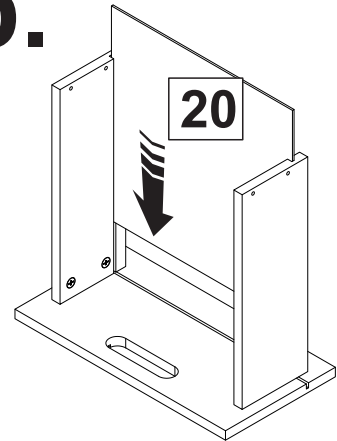
# 6x

<b>B</b> 12mm Screw x 24 	<b>C</b> 35mm Screw x 24 	<b>G</b> Locking nut x 24 
<b>J</b> b Right runner x 6 	<b>K</b> b Left runner x 6 	

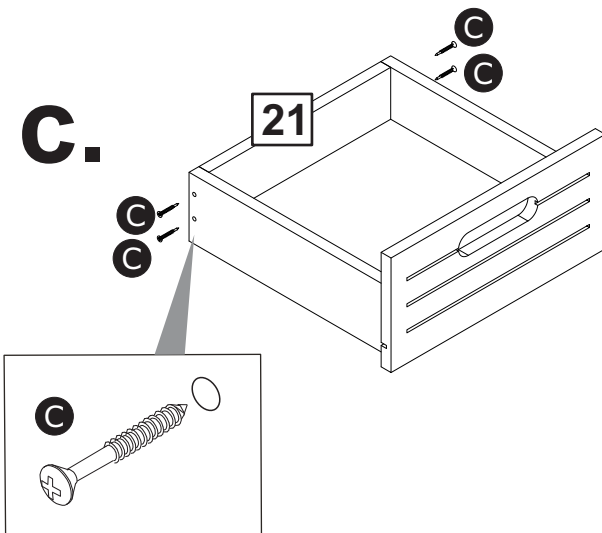
## a.



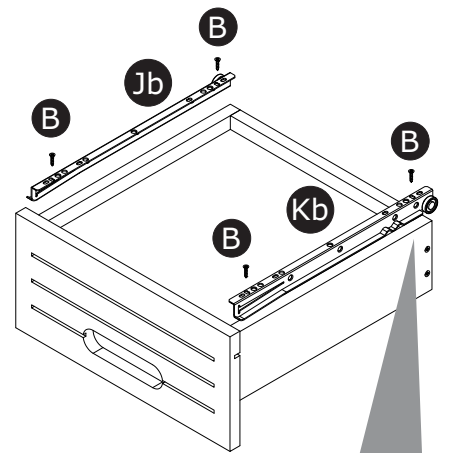
## b.



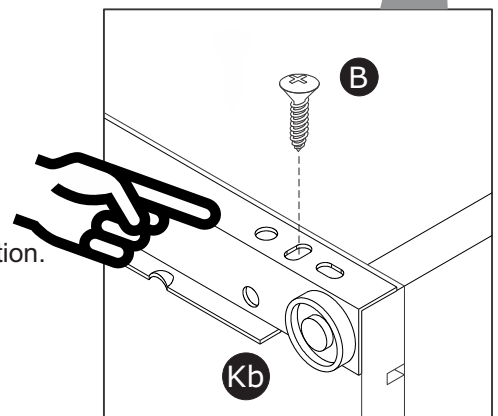
## c.



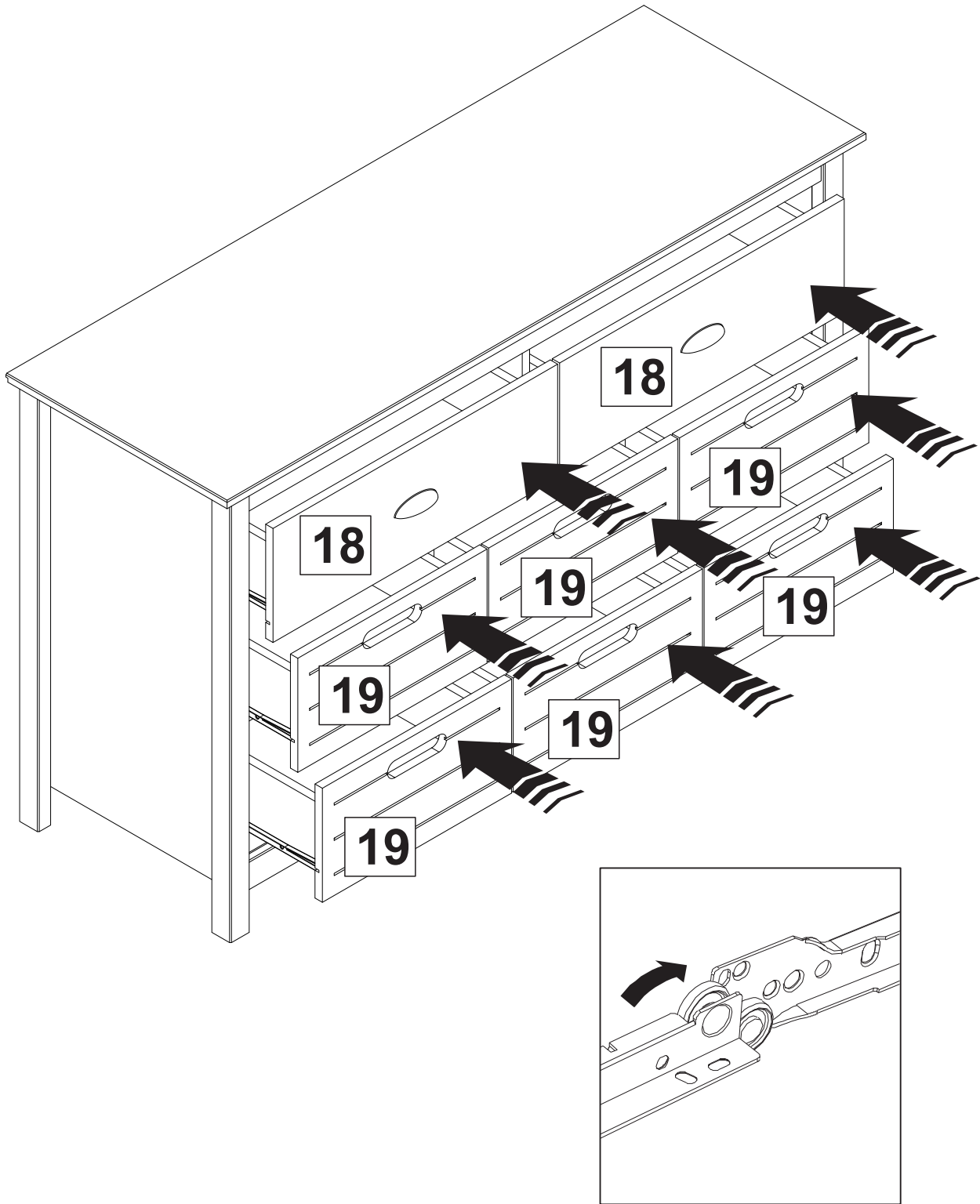
## d.




Note: the hole position.

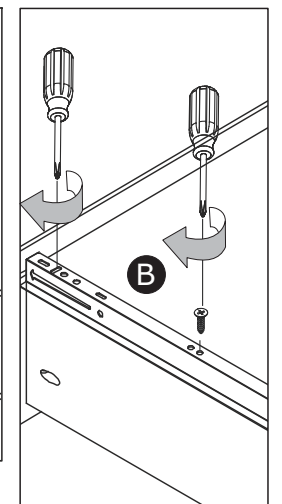
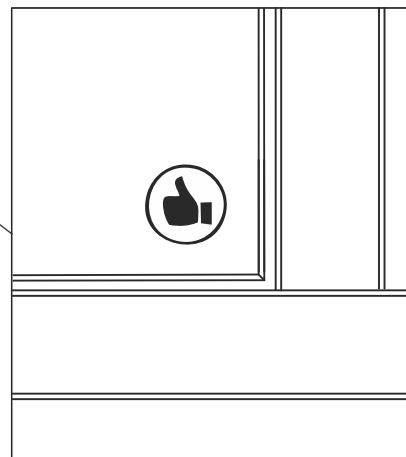
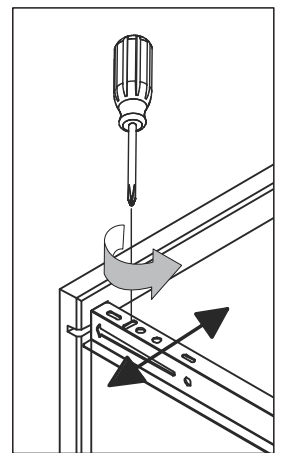
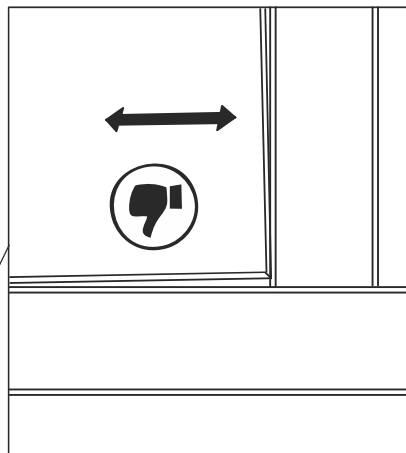
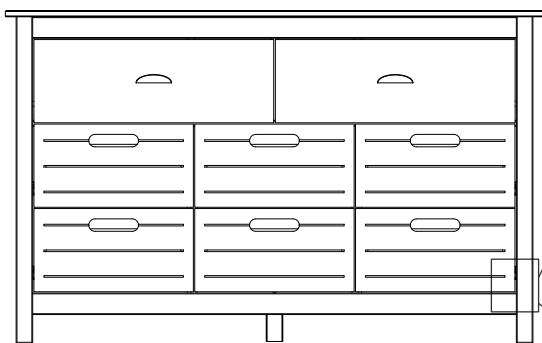
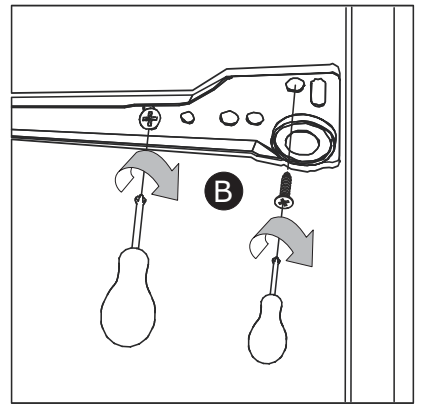
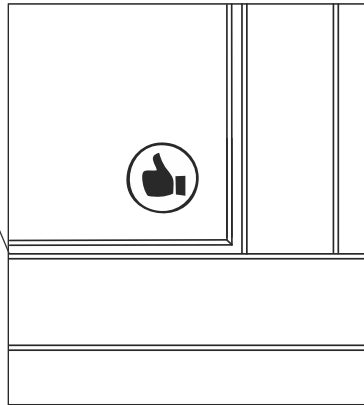
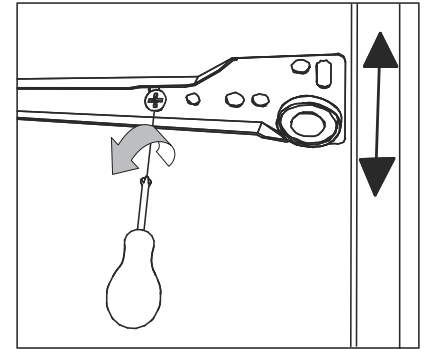
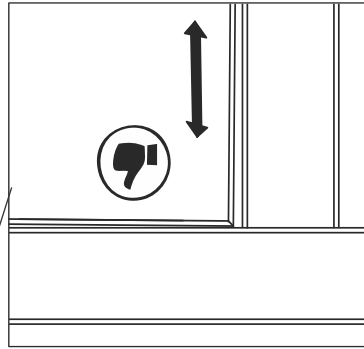
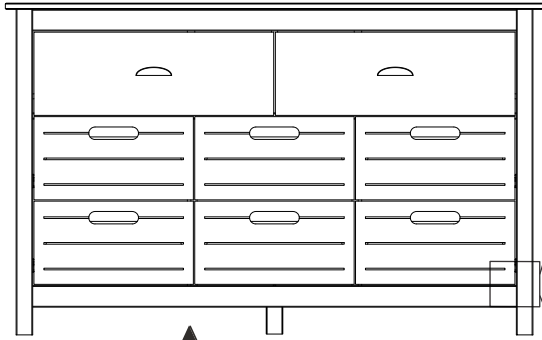


# STEP 14



# STEP 15

**B**   
12mm Screw x 32

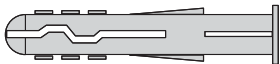




# A guide to - Wall Mounting & Fixings

## Important note:

If plastic wall plugs are supplied with your product:



- these are only suitable for use in masonry walls.

If you are in any doubt about the correct wall plugs for your wall, seek professional advice.


Failure of the product due to using incorrect fixings is the responsibility of the installer.



**Important:** When drilling into walls always check that there are no hidden wires or pipes etc.

Make sure that the screws and wall plugs being used are suitable for supporting your unit. Consult a qualified tradesperson if you are unsure.

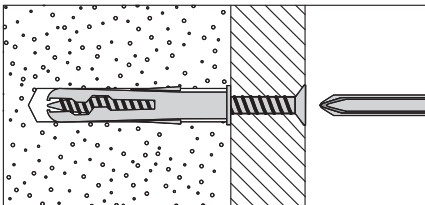
### Hints:

- 1: General rule:  Always use a larger screw and wall plug if you are not sure.
- 2: Ensure you use the recommended drill bit to match the wall plug and hole size.
- 3: Ensure you drill the hole horizontally, do not force the drill or enlarge the hole.
- 4: Take extra care when drilling high walls, ceilings and ceramic tiles. Ensure wall plugs are inserted beyond the thickness of the ceramic tiles to avoid the tiles splitting or cracking.
- 5: Ensure wall plugs are well fitted and are a tight fit in the drilled hole.

## Types of walls

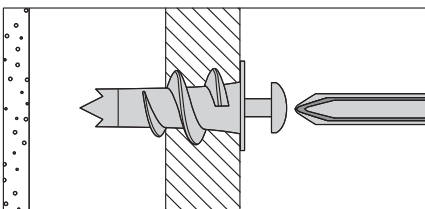
You can use one of the following types of wall plug if your walls are made of brick, breeze block, concrete, stone or wood.

### No.1 "General Purpose" wall plug



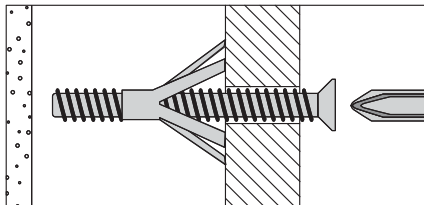
Generally aerated blocks should not be used to support heavy loads, use a specialist fitting in this case. For light loads, general purpose wall plugs can be used.

### No.2 "Plasterboard" wall plug



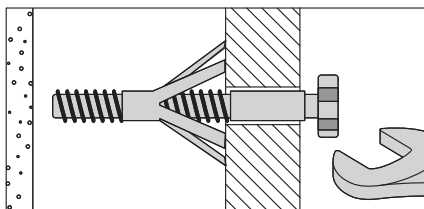
For use when attaching light loads on to plasterboard partitions.

### No.3 "Cavity Fixing" wall plug



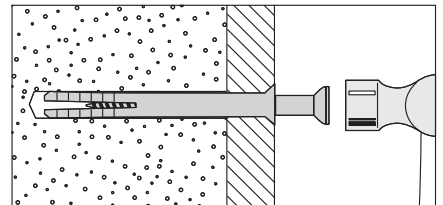
For use with plasterboard partitions or hollow wooden doors.

### No.4 "Cavity Fixing-Heavy Duty" wall plug



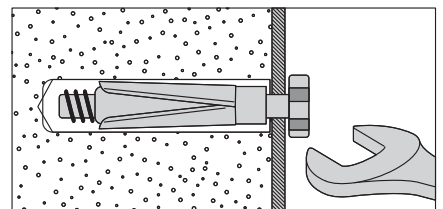
For use when fitting or supporting heavy loads such as shelving, wall cabinets and coat racks.

### No.5 "Hammer Fixing" wall plug



For use with walls stuck with plasterboard. The hammer fixing allows it to be fixed to the wall rather than the plasterboard. Always check the fixing is secure to the retaining wall.

### No.6 "Shield Anchor" wall plug Heavy loads



For use with heavier loads such as TV & HiFi speakers and satellite dishes etc.



## Care & Maintenance

**Safety:** Always check the fitting and location to ensure your safety in and around the home.

**Fitting:** From time to time check the fitting to ensure the wall plugs or screws do not become loose.