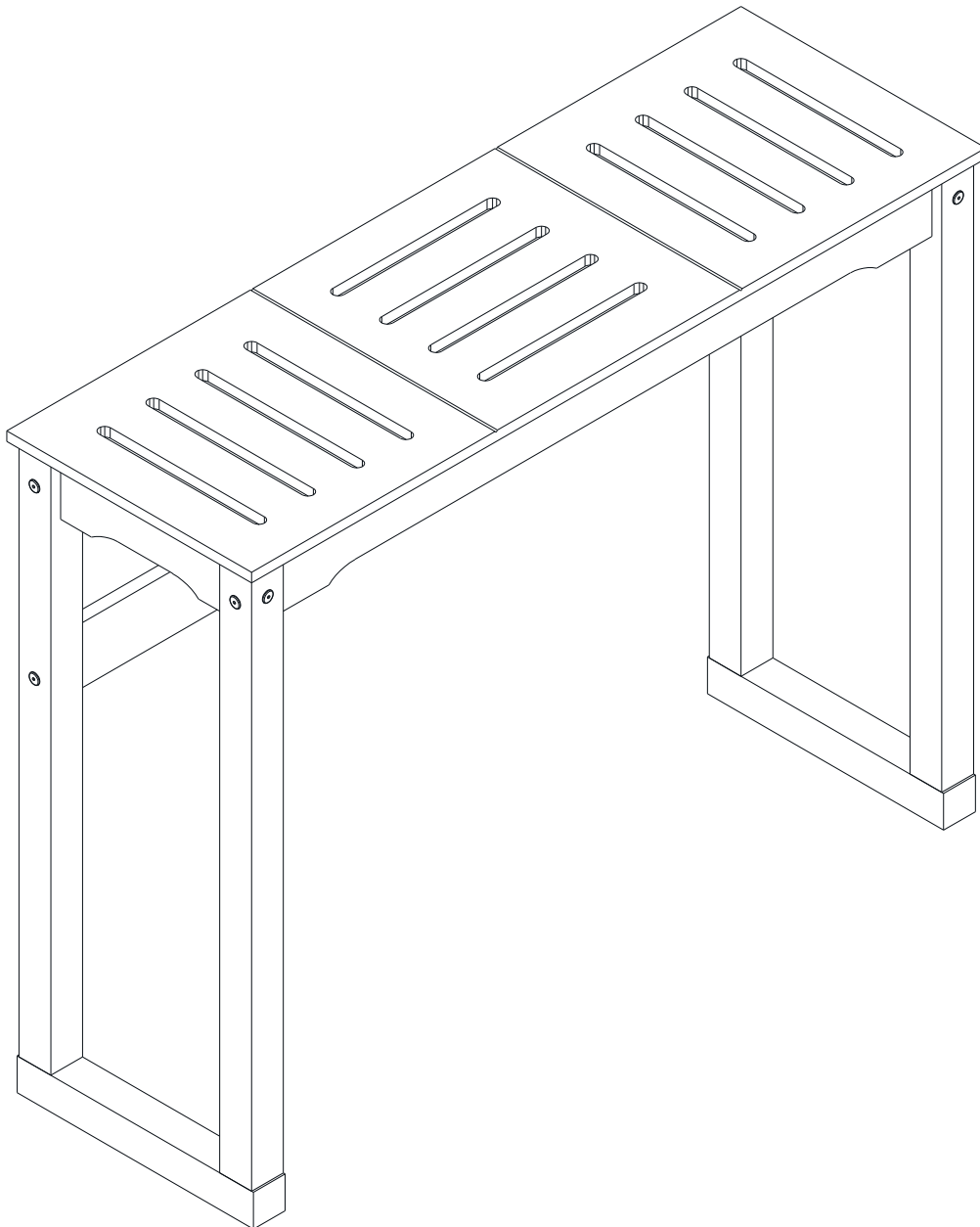


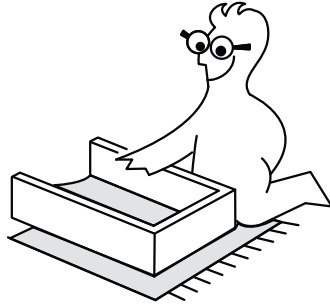
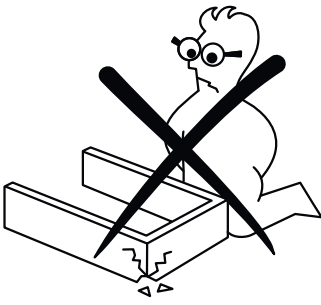


MANHATTAN
COMFORT

Stillwell 47.3" Bar Table

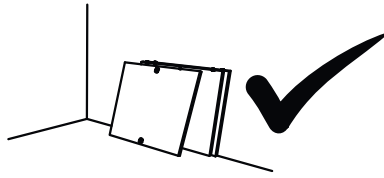
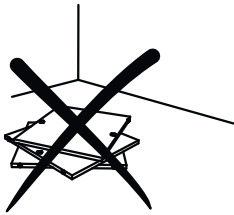


SKU# CS105501 - CS105502 - CS105503 - CS105504 - CS105505 - CS105507

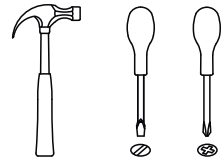


For Best Results

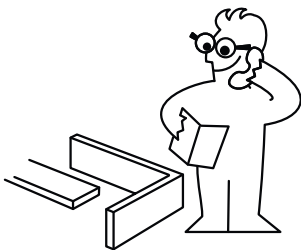
- Do not throw away packaging materials until assembly is complete.
- Assemble item on a soft surface, such as cardboard or carpet, to protect finish.
- Proper assembly requires two people.



Tools
Required

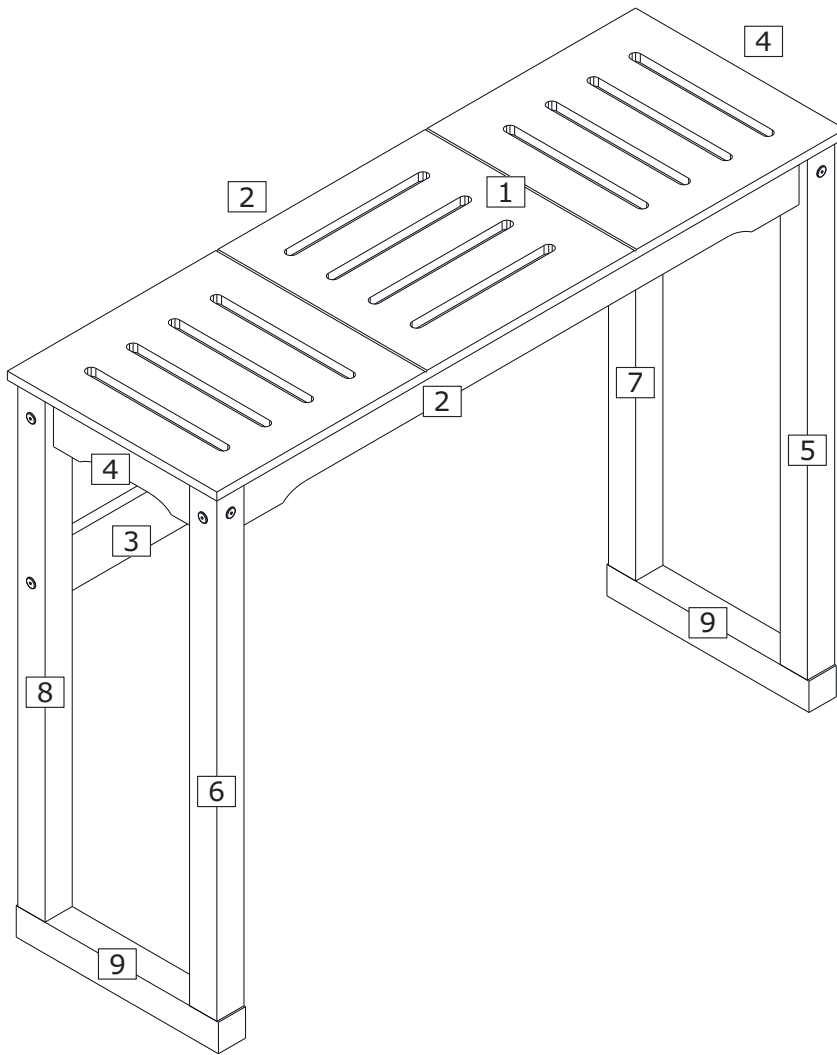


View our assembly video online
www.manhattancomfort.com


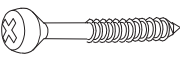
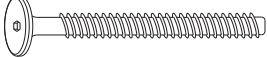
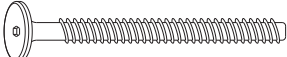



Stuck? Questions? We are here to help.
1-888-230-2225
help@manhattancomfort.com

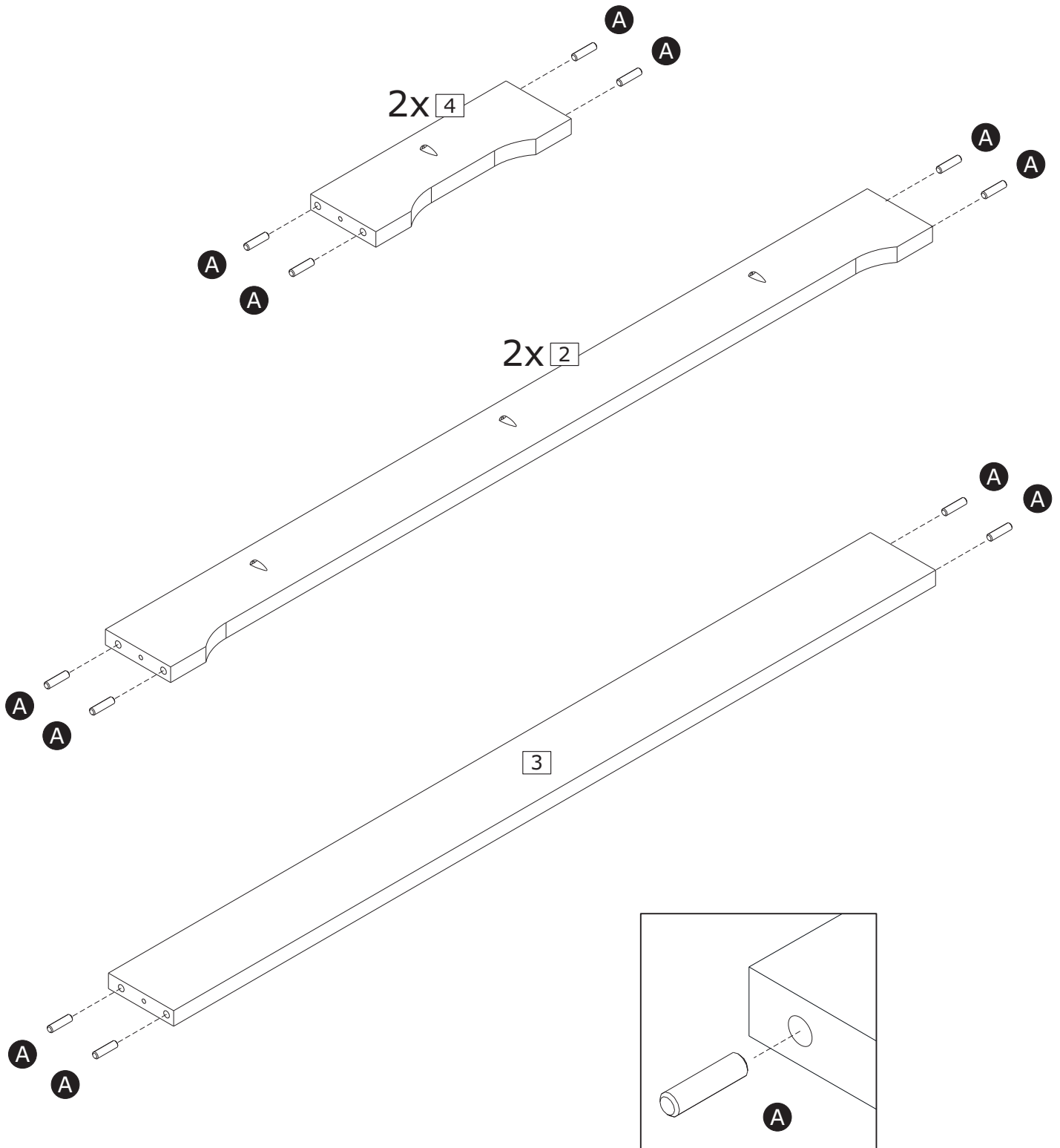
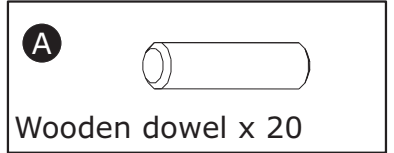
Included in this Package



- 1** Top panel x1
- 2** Large front rail x2
- 3** Large back rail x1
- 4** Large side rail x2
- 5** Right front leg x1
- 6** Left front leg x1
- 7** Right back leg x1
- 8** Left back leg x1
- 9** Bottom leg x2

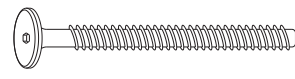
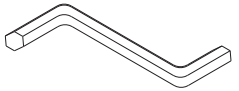
| | | |
|--|--|---|
| <p>A </p> <p>Wooden dowel x 20</p> | <p>B </p> <p>35mm Screw x 08</p> | <p>C </p> <p>70mm Bolt x 04</p> |
| <p>D </p> <p>80mm Bolt x 10</p> | <p>E </p> <p>Allen key x 1</p> | |

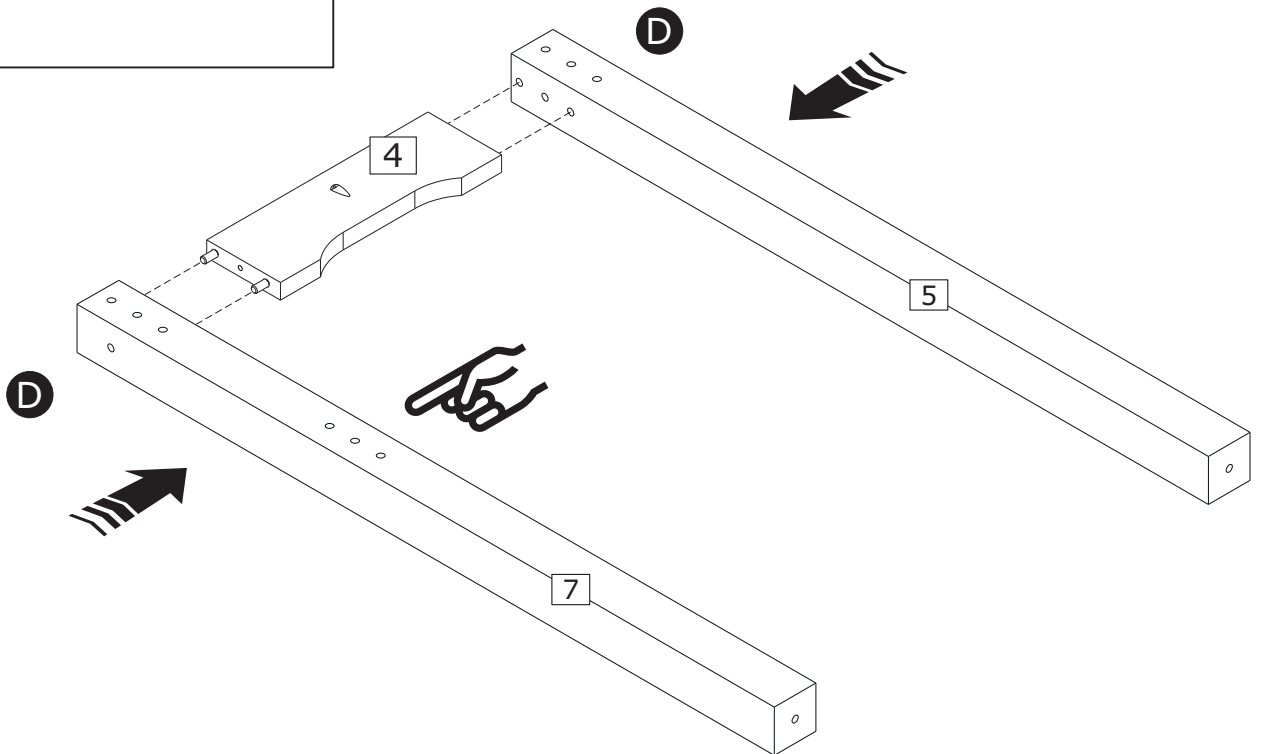
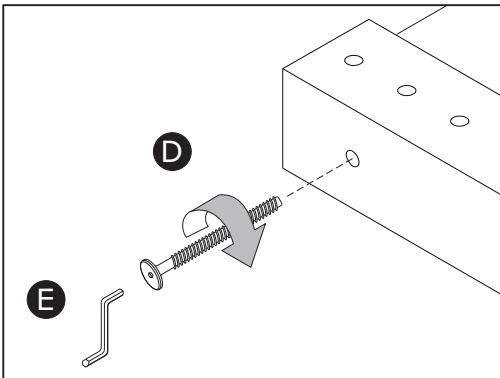
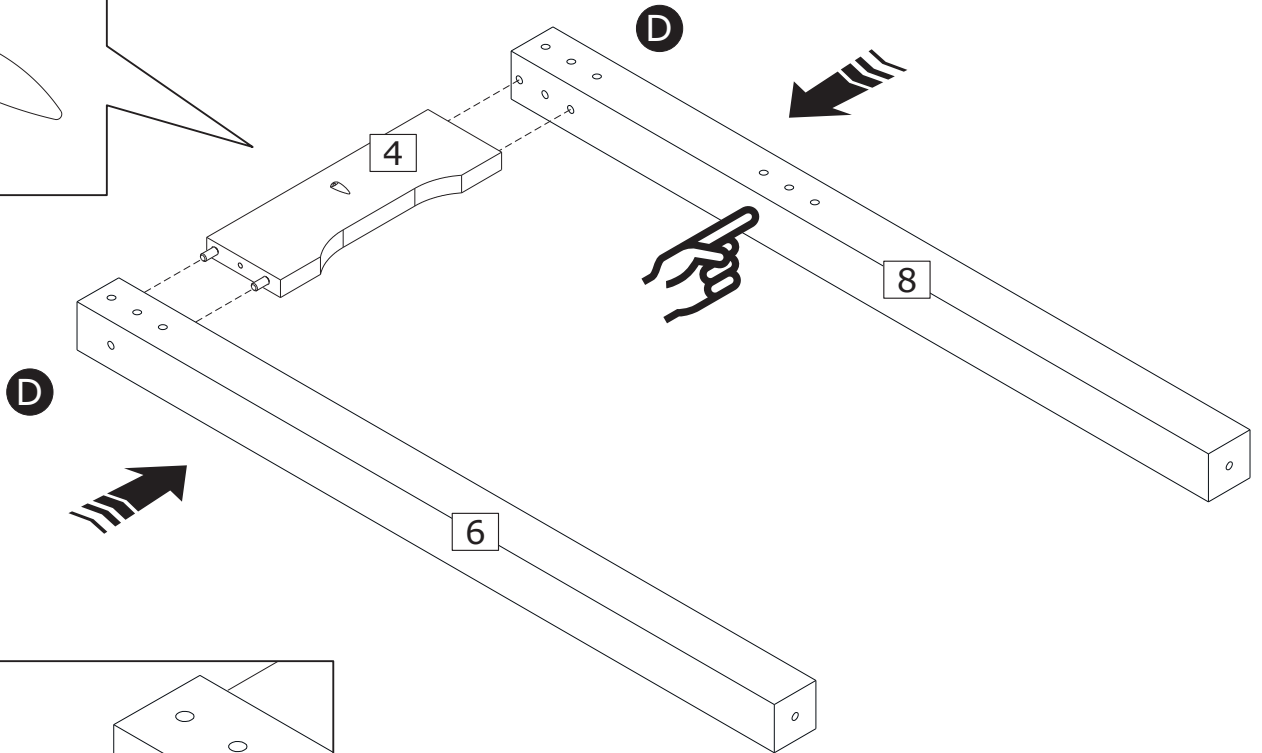
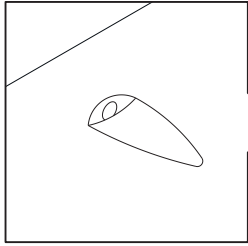
STEP 1



STEP 2

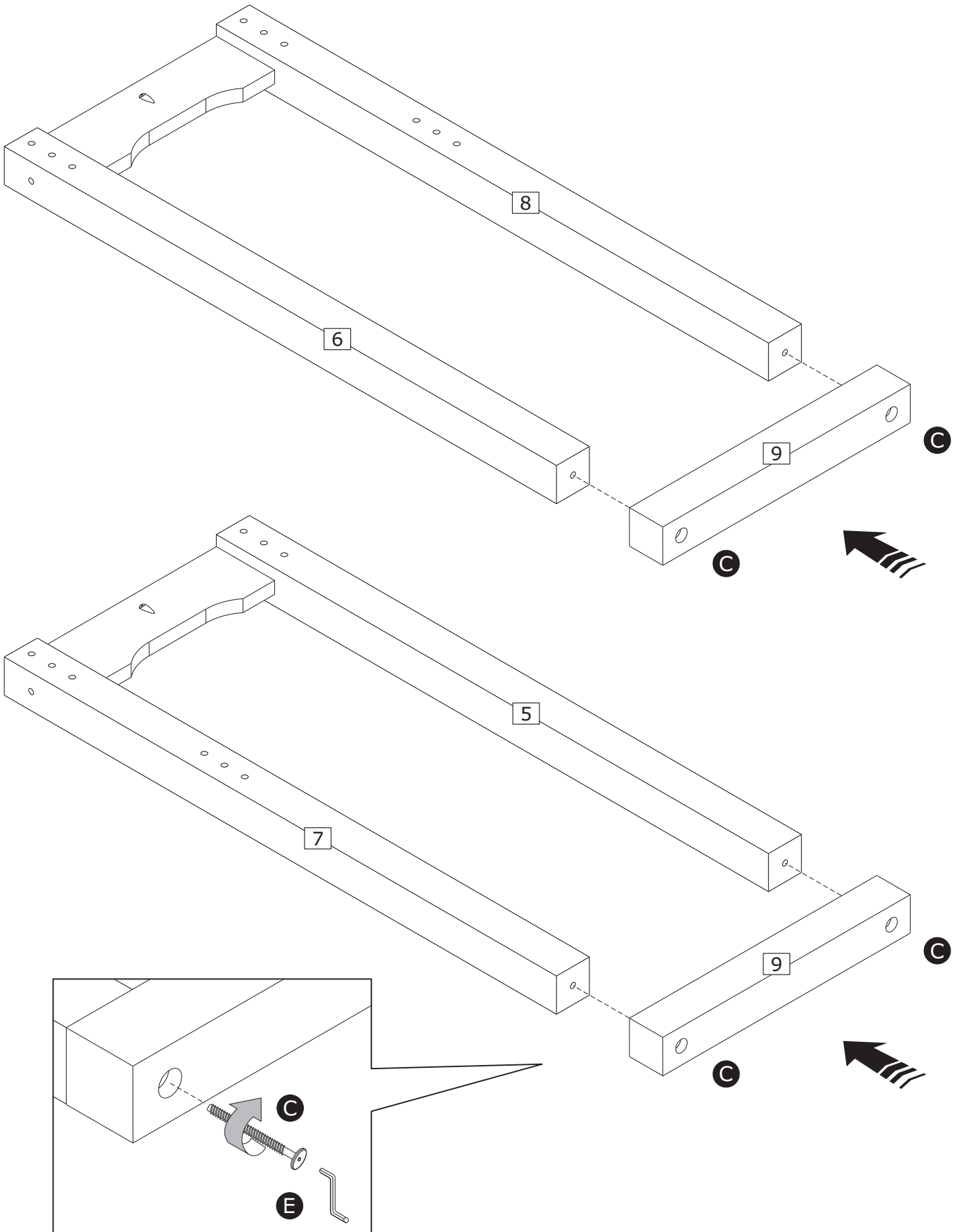
Note: the hole position.

| | |
|---|---|
| D  80mm Bolt x 04 | E  Allen key x 1 |
|---|---|

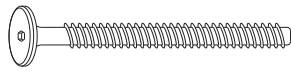



STEP 3

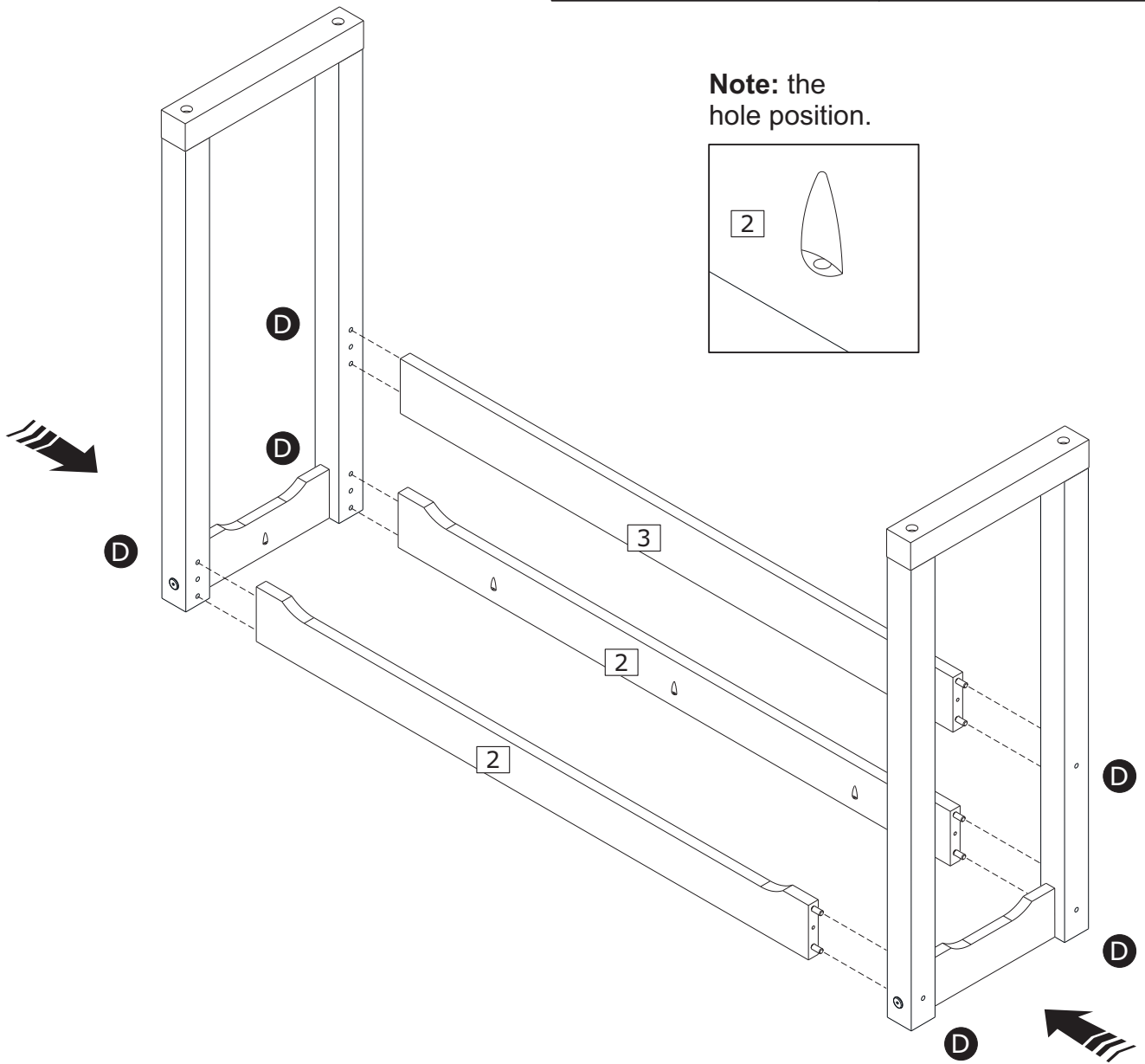
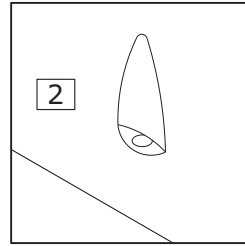
| | |
|---|--|
| C  | E  |
| 70mm Bolt x 04 | Allen key x 1 |



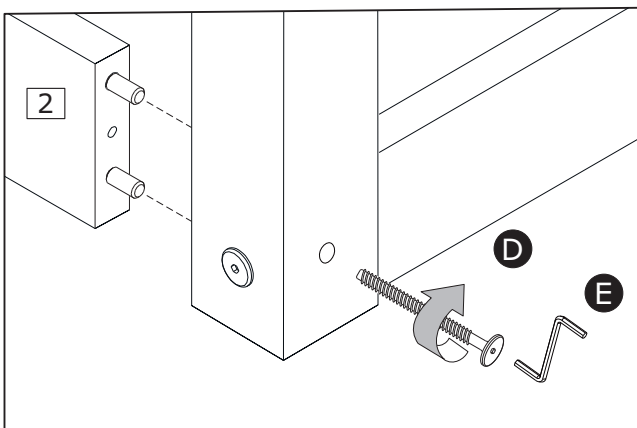
STEP 4

| | |
|---|---|
| D  80mm Bolt x 06 | E  Allen key x 1 |
|---|---|

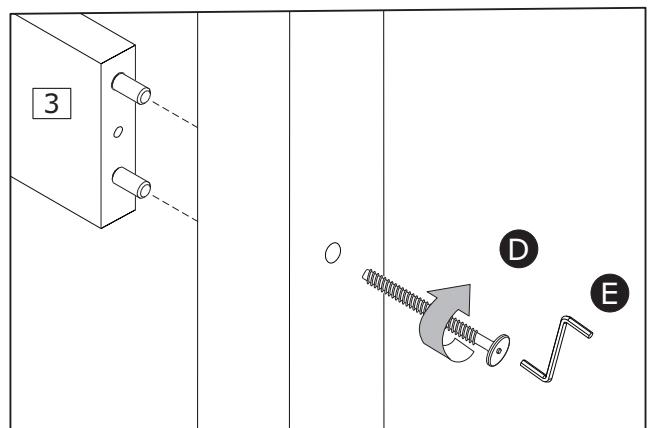
Note: the hole position.



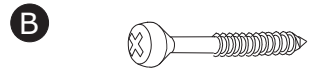
a:



b:



STEP 5



35mm Screw x 08

