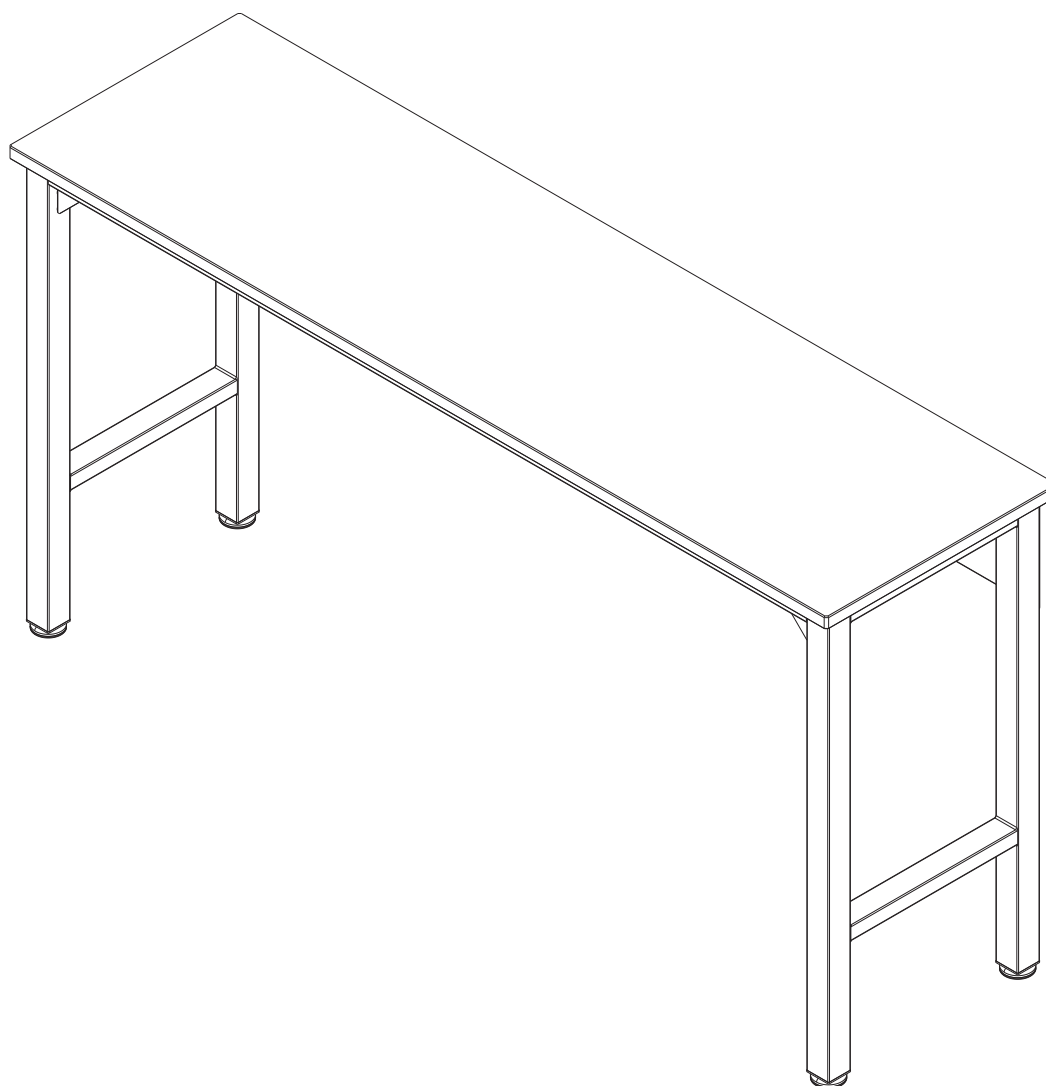




MANHATTAN
COMFORT

ASSEMBLY HANDBOOK – FORTRESS GARAGE TABLE



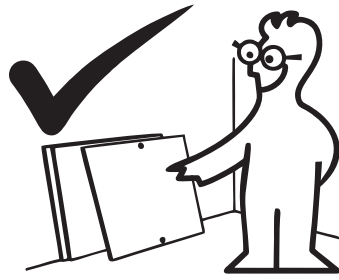
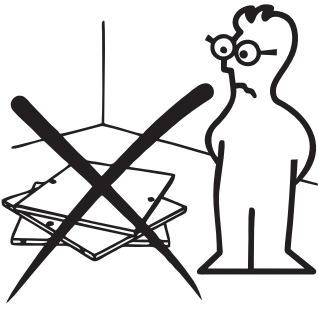
6GMC



Stuck? Questions? We are here to help.
1-888-230-2225
help@manhattancomfort.com

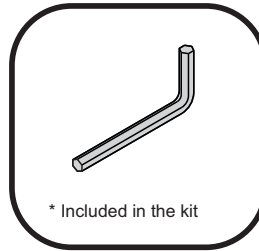
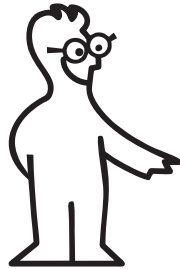


View our assembly video online
www.manhattancomfort.com

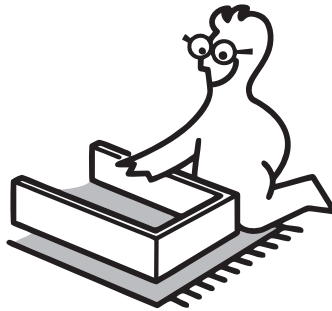
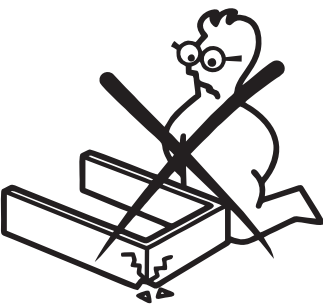


In order to ease the assembly, you should separate and identify the parts first

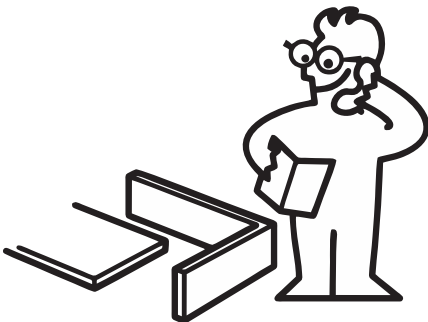
Necessary hardware for the assembly



* Included in the kit



Do not place the parts directly onto the floor. Use a cardboard sheet or a mat to place the parts, during the separation and assembly.



Stuck? Questions? We are here to help.
1-888-230-2225
help@manhattancomfort.com

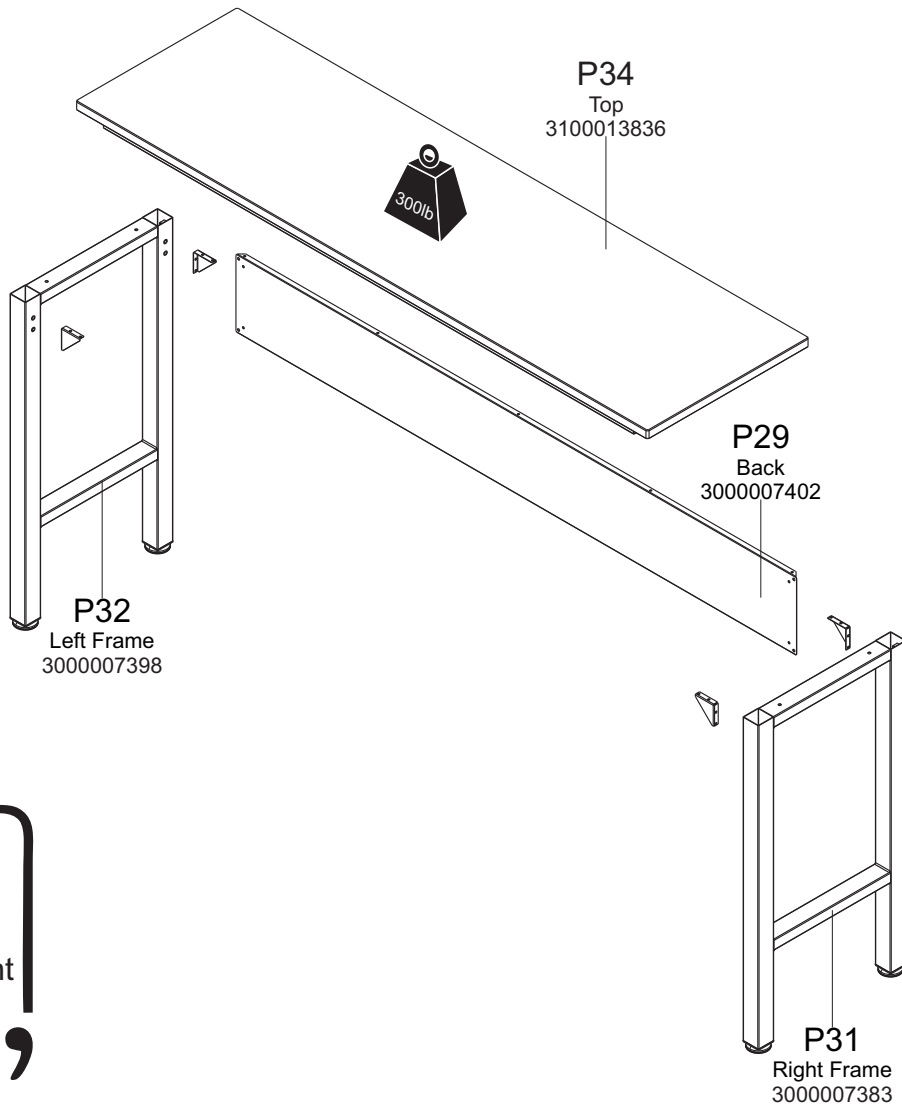


View our assembly video online
www.manhattancomfort.com

IMPORTANT

In order to avoid severe or even fatal injuries, follow the instructions carefully.

ASSEMBLY HANDBOOK – FORTRESS GARAGE TABLE



WARNING

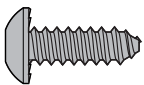
“

 Maximum weight supported by work surface
 ”

Hardware list

F2

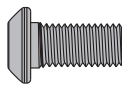
1000009499



Qty. 3

F3

1000008391



Qty. 20

F8

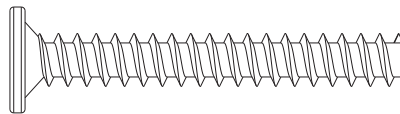
1000008387



Qty. 20

F4

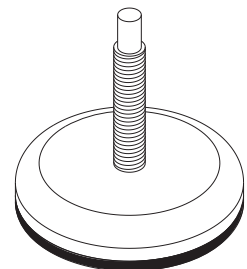
1000008299



Qty. 4

F9

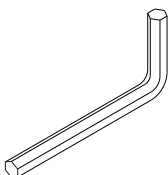
1000008368



Qty. 4

F13

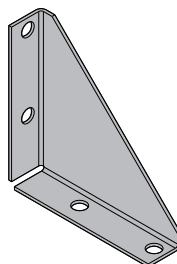
1000009033



Qty. 1

F16

3000007407



Qty. 4

F17

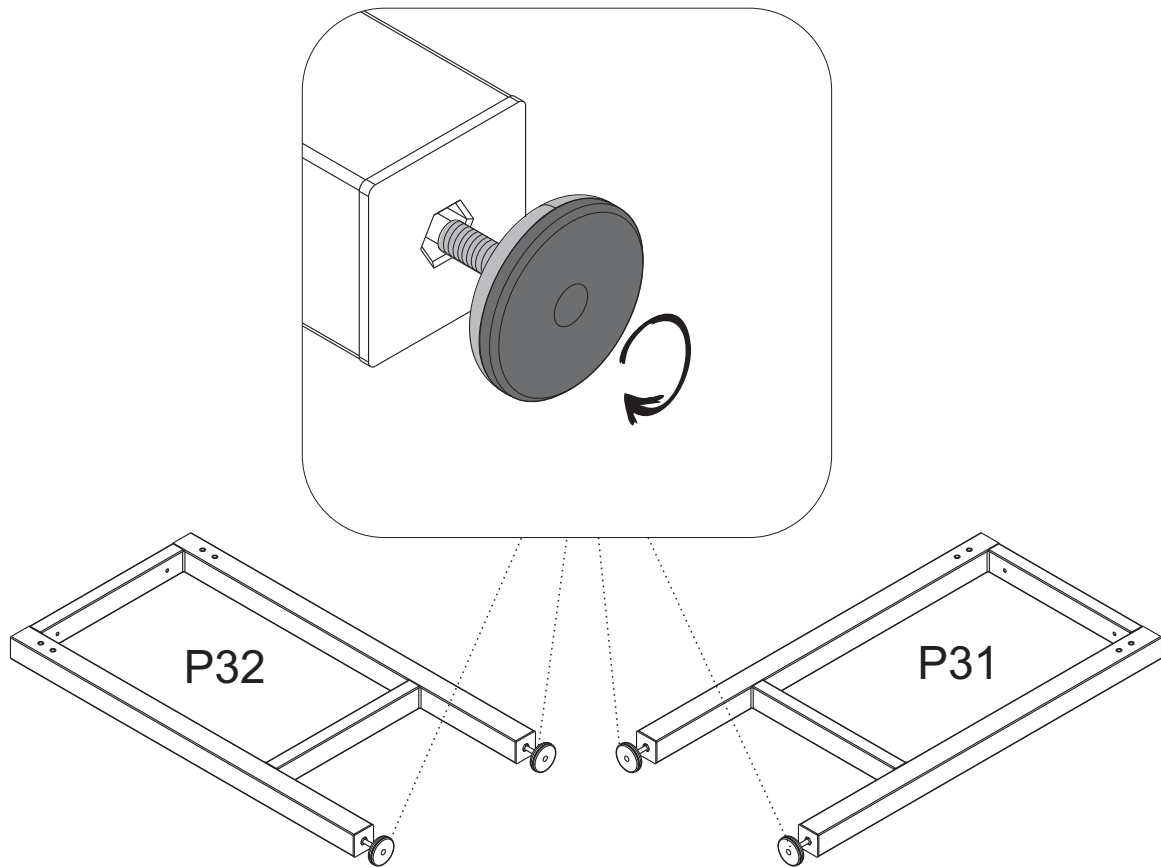
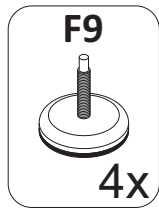
1000008285



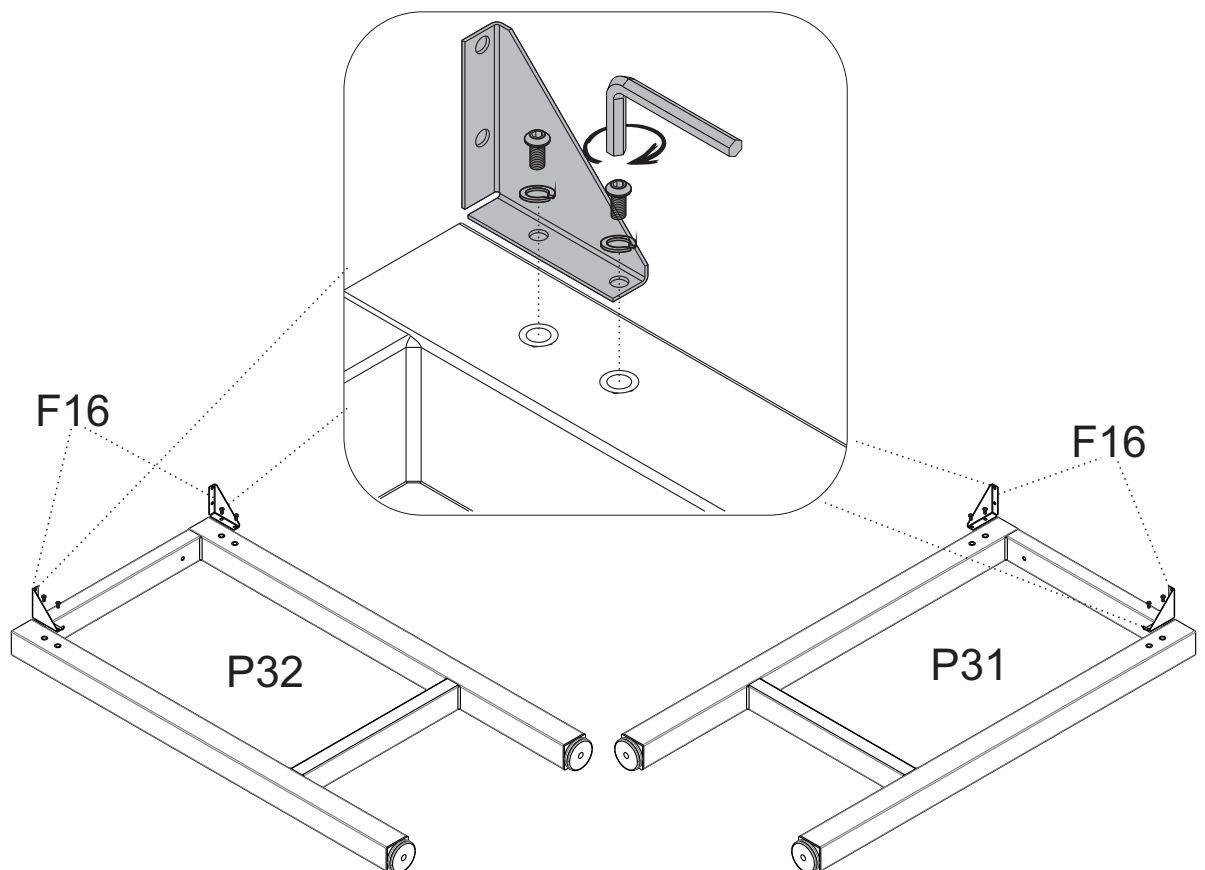
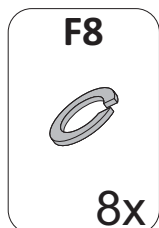
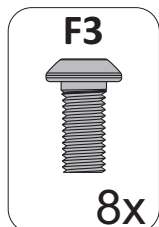
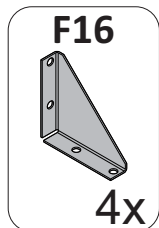
Qty. 1

STEP 1

1. Fit the shoes to frame **P32** and **P31** base and turn to screw. To level the height of the table, turn the shoe clockwise or counterclockwise until is aligned

**STEP 2**

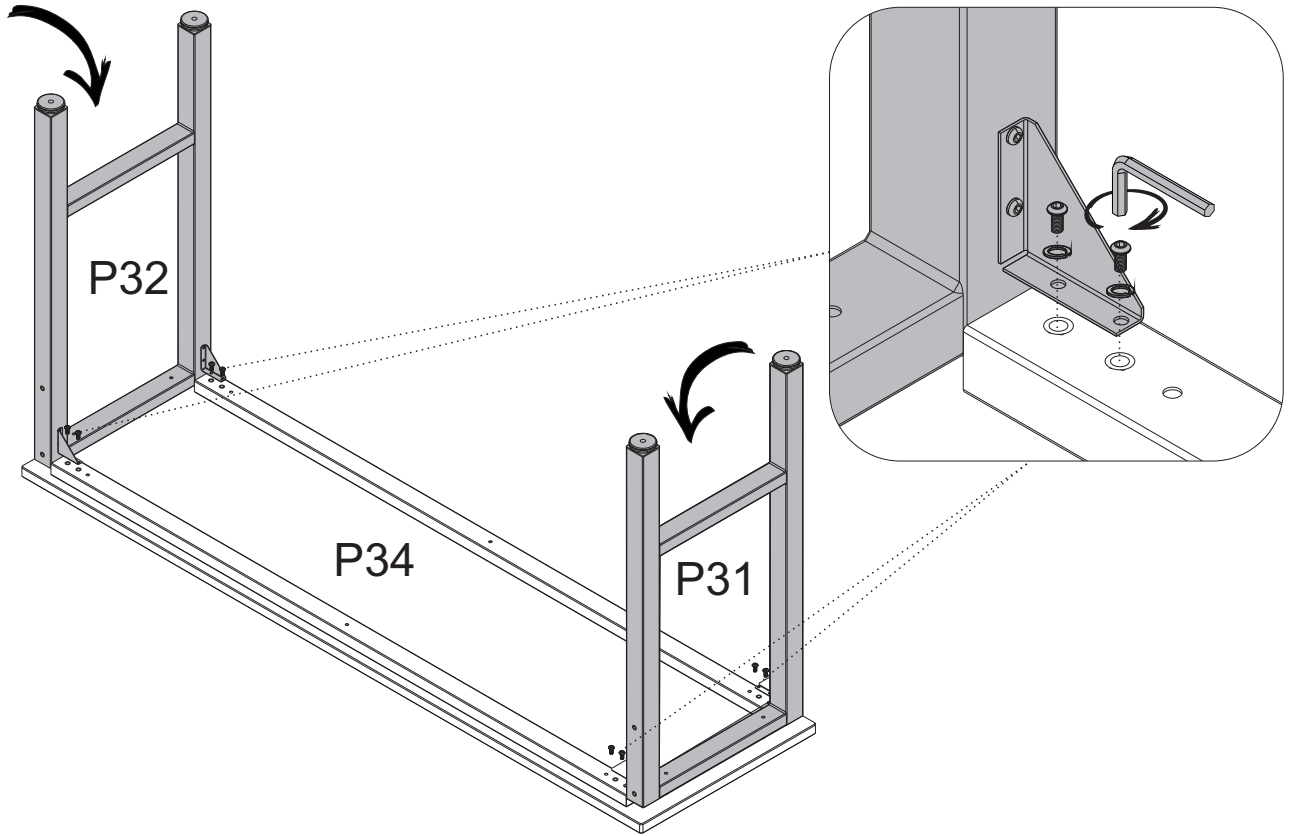
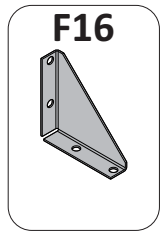
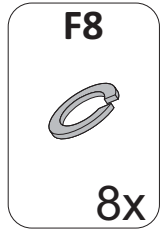
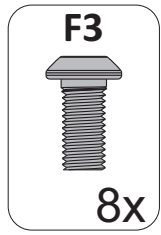
1. Align corner brackets **F16** to the upper sides of frames **P31** and **P32** and fix them with **F3** and **F8**



STEP 3

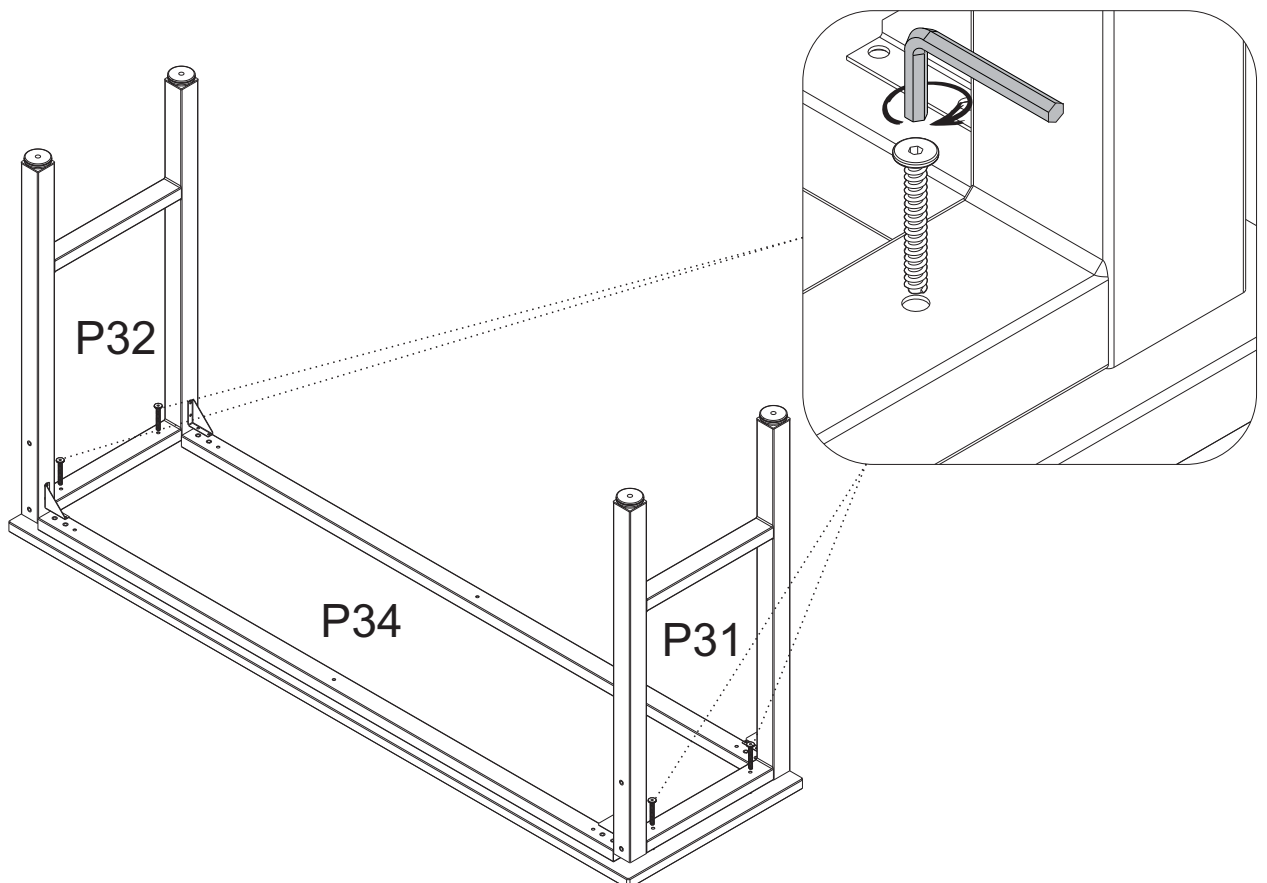
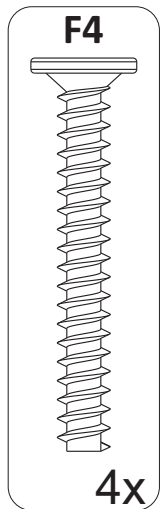
1. Align frames **P31** and **P32** to **P34**

2. Fix corner brackets **F16** to the metallic part of **P34**, with **F3** and **F8**



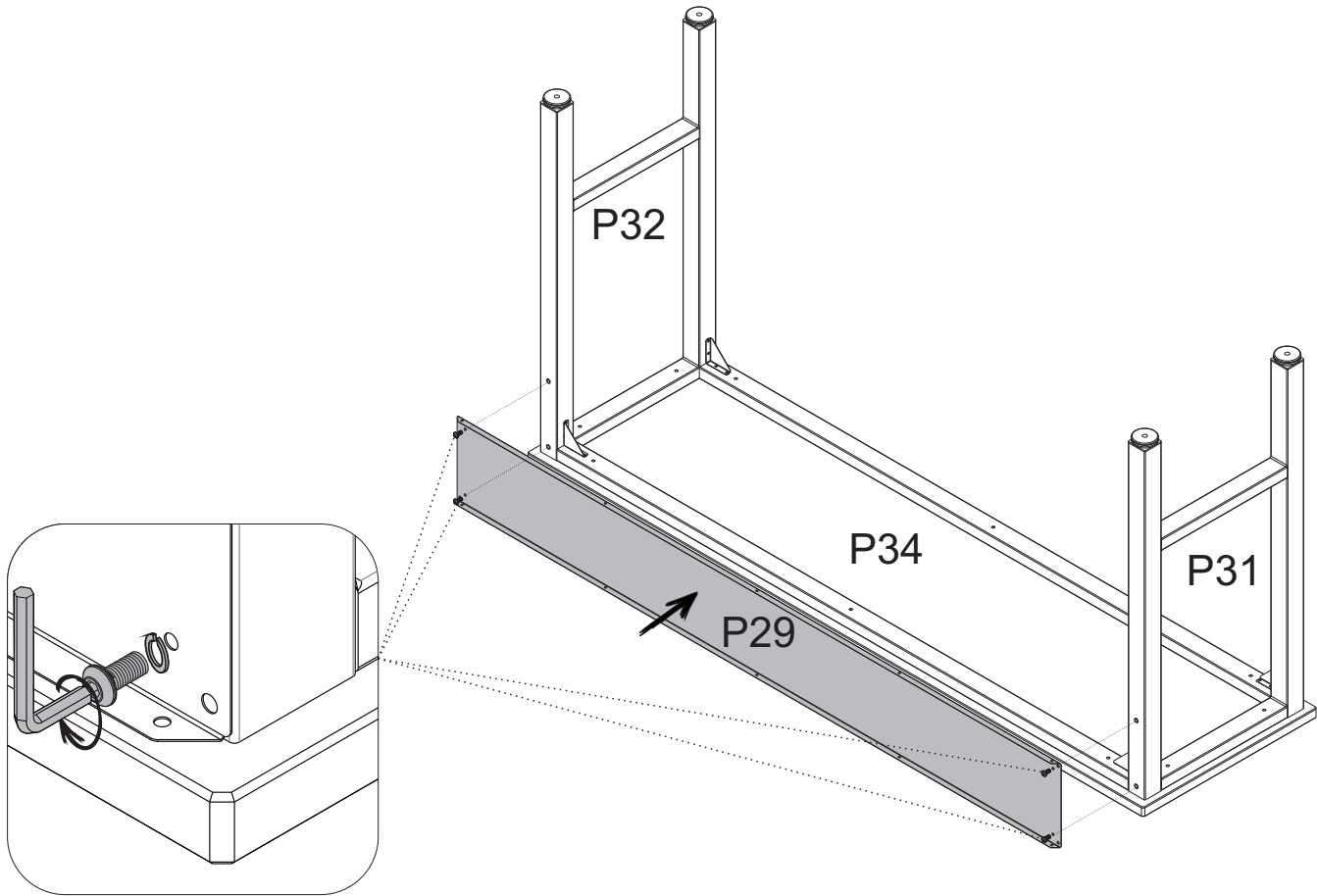
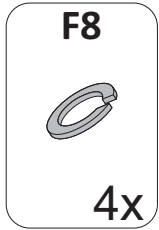
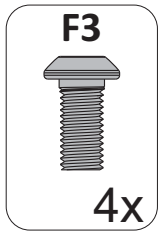
STEP 4

1. Then, fix frames **P31** and **P32** to the wooden part of part **P34**, with **F4**



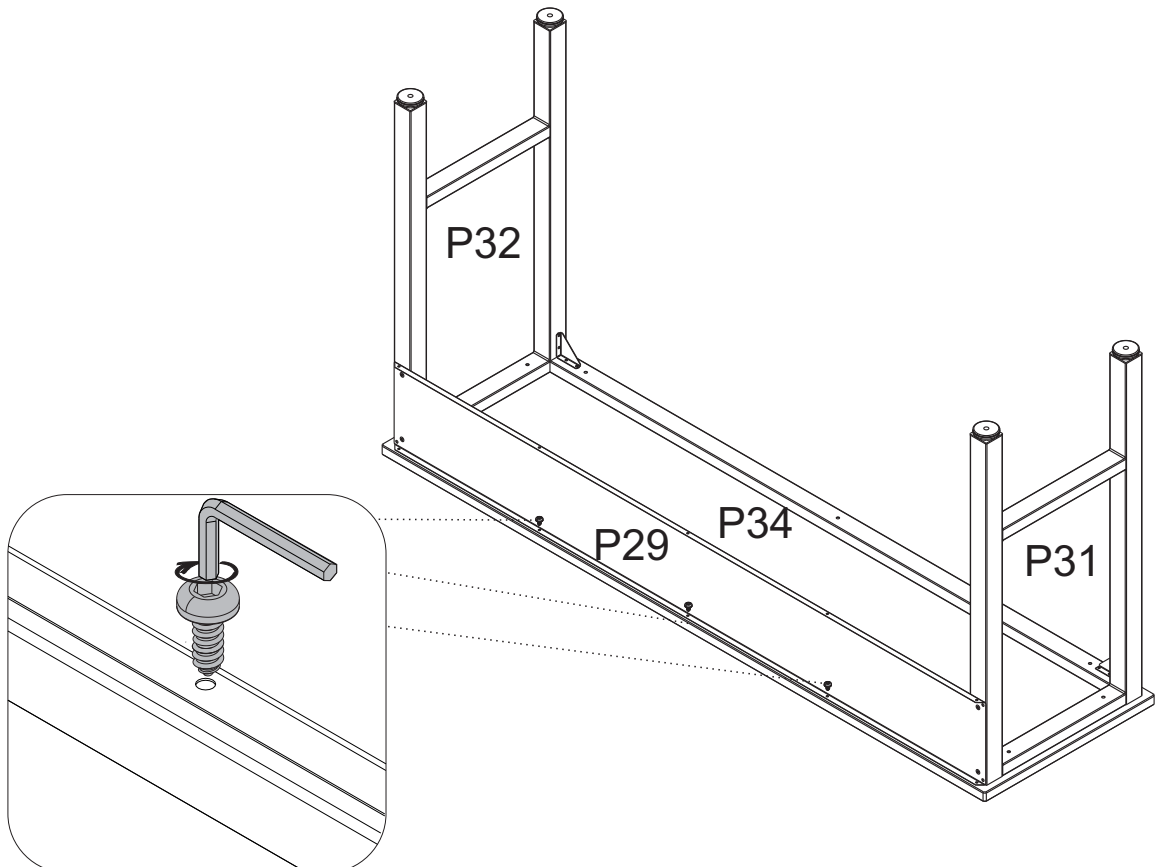
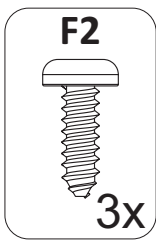
STEP 5

1. Align the part **P29** to frames **P31** and **P32**
2. Fix part **P29** to frames **P31** and **P32** with **F3** and **F8**



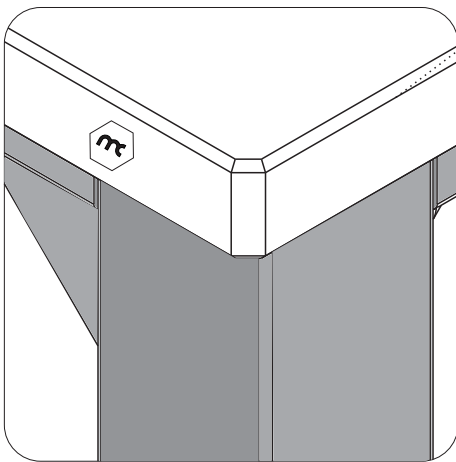
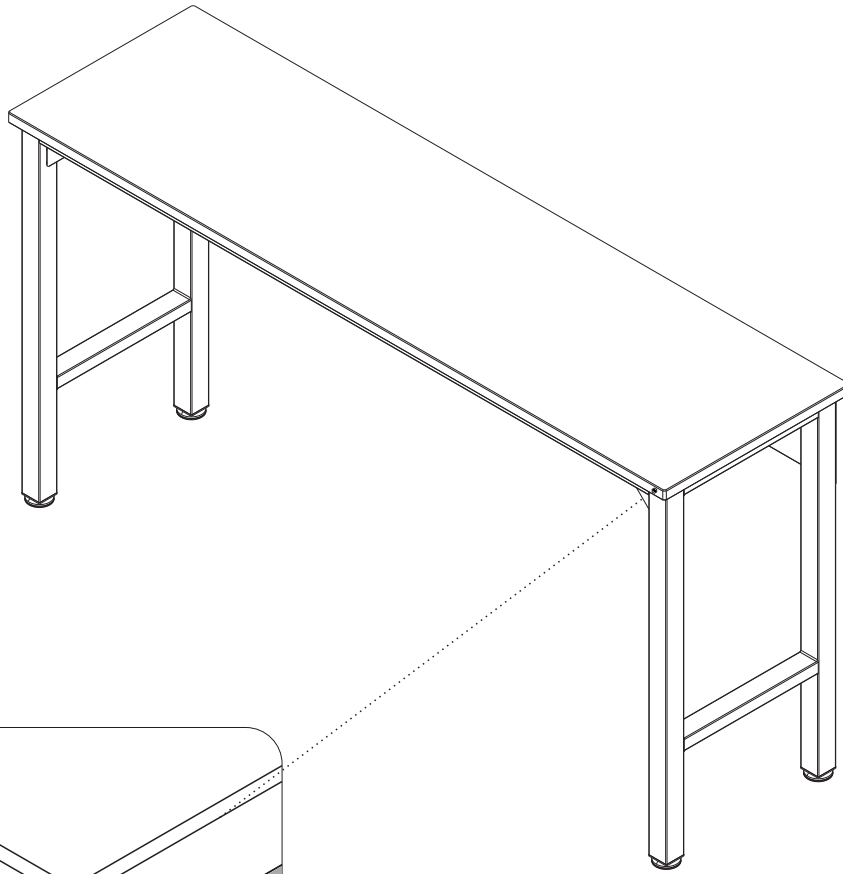
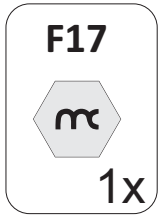
STEP 6

1. Fix part **P29** to part **P34** wooden side, with **F2**



STEP 7

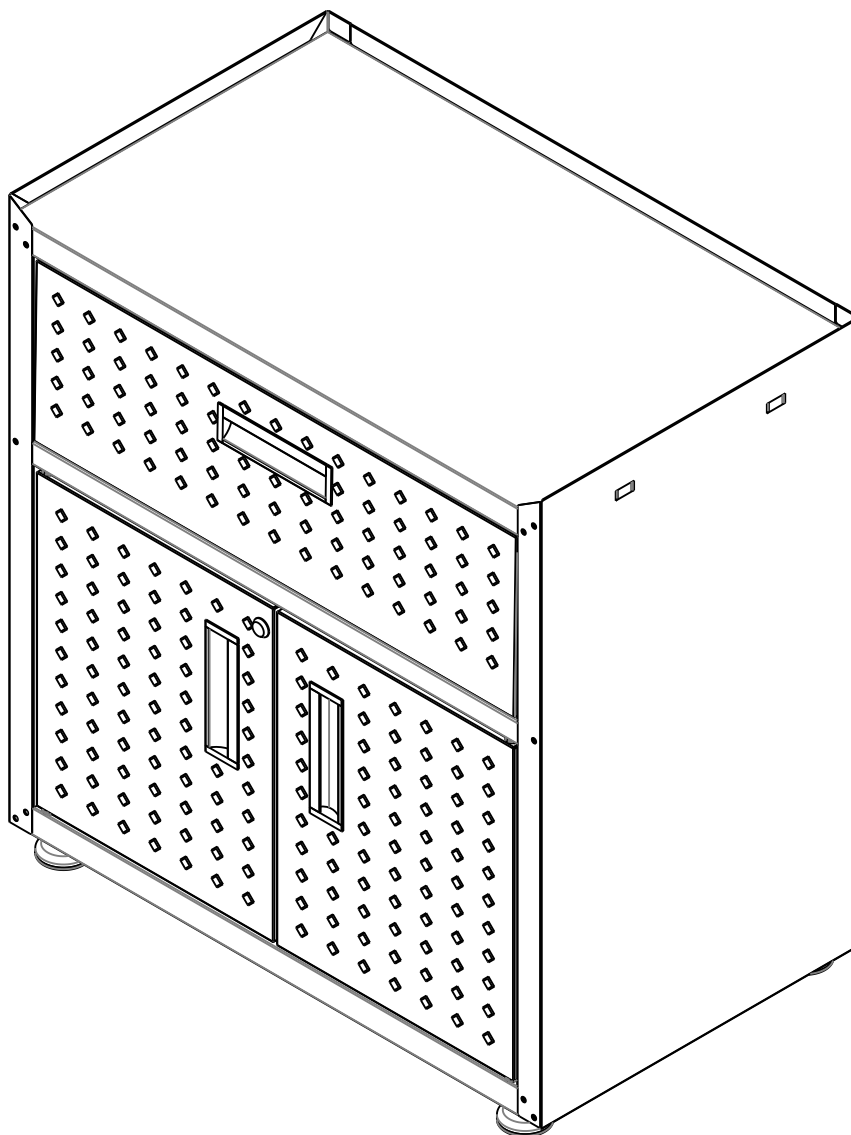
1 -Insert product log





MANHATTAN
COMFORT

ASSEMBLY HANDBOOK – FORTRESS 31.5" MOBILE GARAGE CABINET WITH DRAWER AND SHELVES



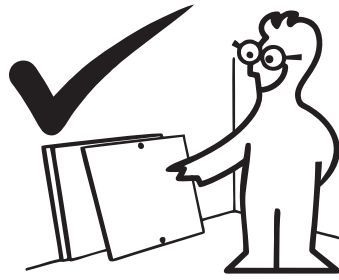
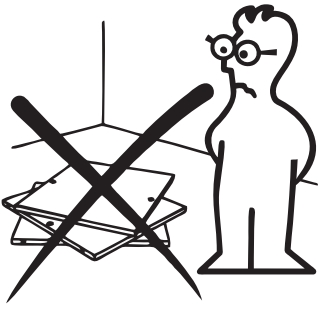
2GMCF



Stuck? Questions? We are here to help.
1-888-230-2225
help@manhattancomfort.com

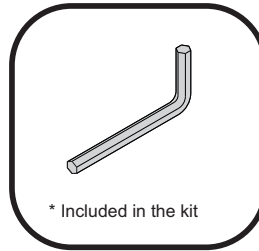
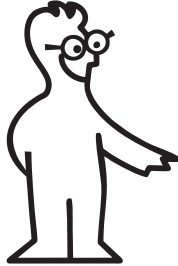


View our assembly video online
www.manhattancomfort.com

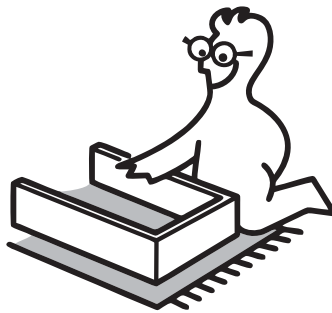
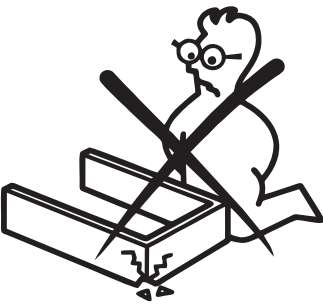


In order to ease the assembly, you should separate and identify the parts first

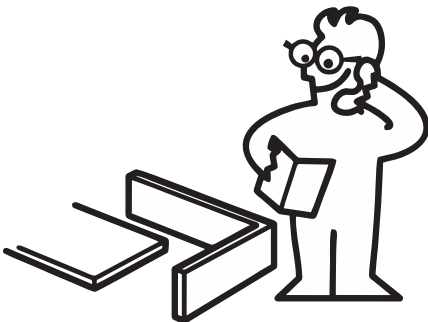
Necessary hardware for the assembly



* Included in the kit



Do not place the parts directly onto the floor. Use a cardboard sheet or a mat to place the parts, during the separation and assembly.



Stuck? Questions? We are here to help.
1-888-230-2225
help@manhattancomfort.com



View our assembly video online
www.manhattancomfort.com

IMPORTANT

In order to avoid severe or even fatal injuries, follow the instructions carefully.

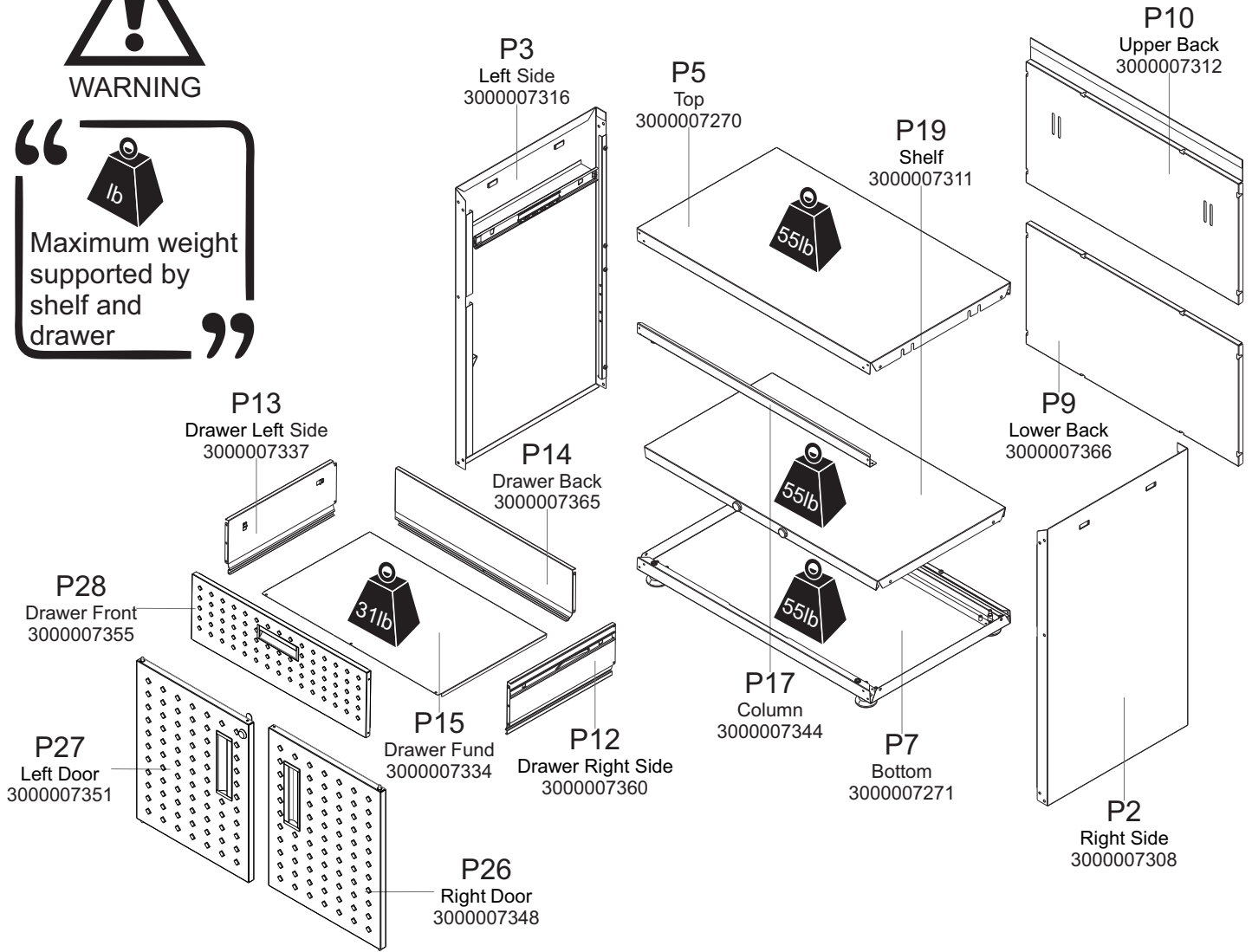
ASSEMBLY HANDBOOK – FORTRESS 31.5" MOBILE GARAGE CABINET WITH DRAWER AND SHELVES



WARNING

“

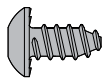
 Maximum weight supported by shelf and drawer
 ”



Hardware list

F1

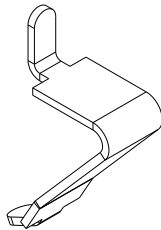
1000009500



Qty. 30

F7

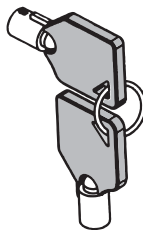
1000008301



Qty. 4

F15

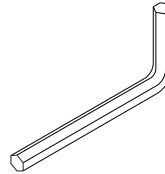
1000008280



Qty. 1

F13

1000009033



Qty. 1

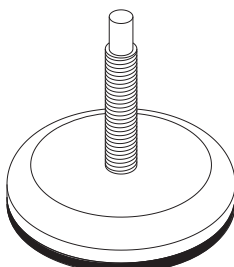
F17

1000008285



F9

1000008368

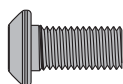


Qty. 4

* Only in cabinets without caster

F3

1000008391

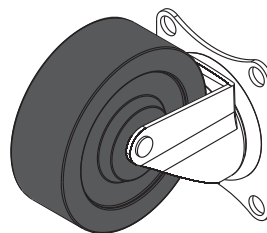


Qty. 16

* Only in cabinets with caster

F10

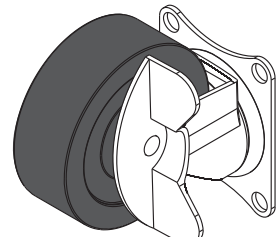
1000008352



Qty. 2

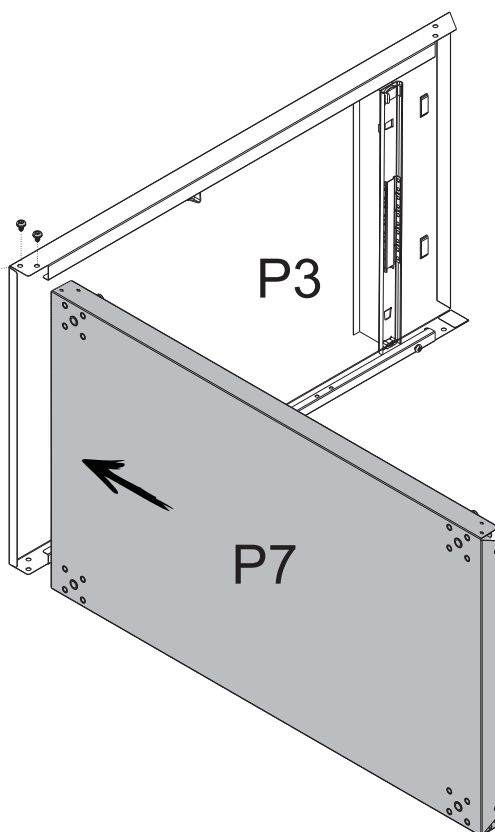
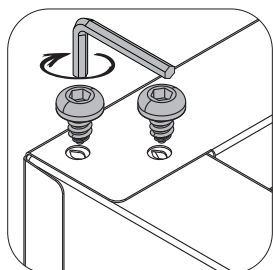
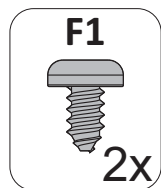
F11

1000008354

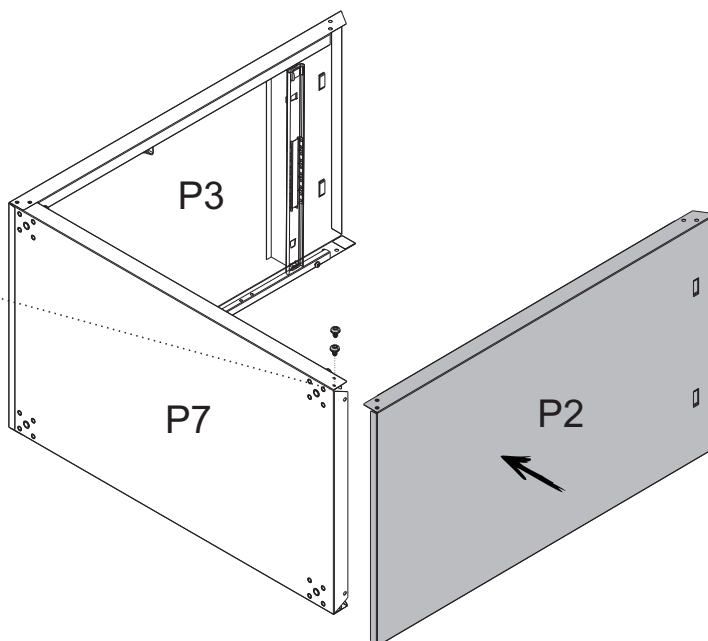
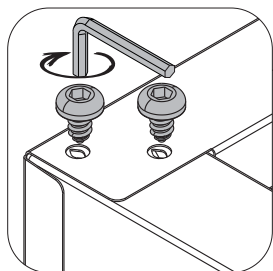
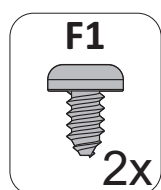


Qty. 2

- STEP 1**
- 1 - Fit part **P7** inside part **P3**
 - 2 - Fit both parts in the frontal side, with **F1**

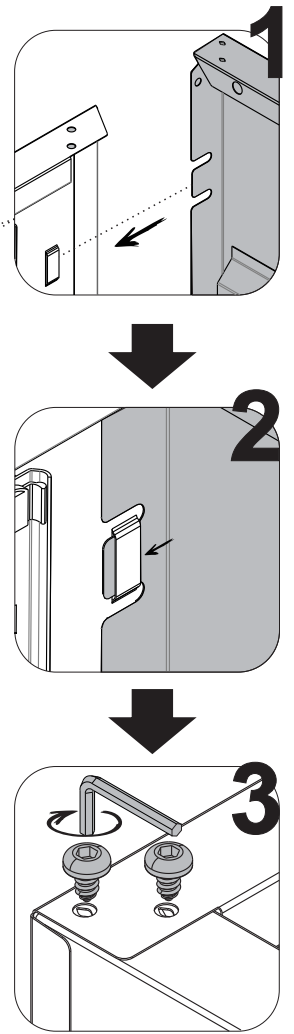
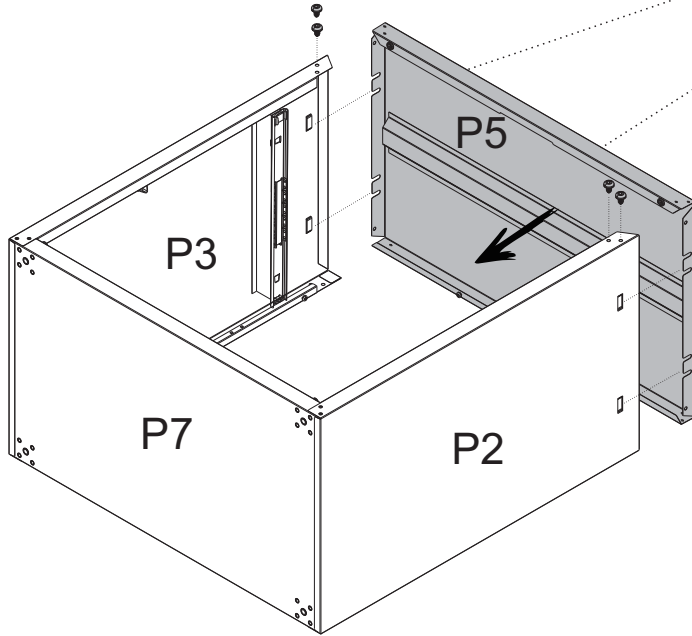
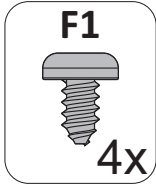


-
- STEP 2**
- 1 - Fit part **P2** inside part **P7**
 - 2 - Fit both parts in the frontal side, with **F1**



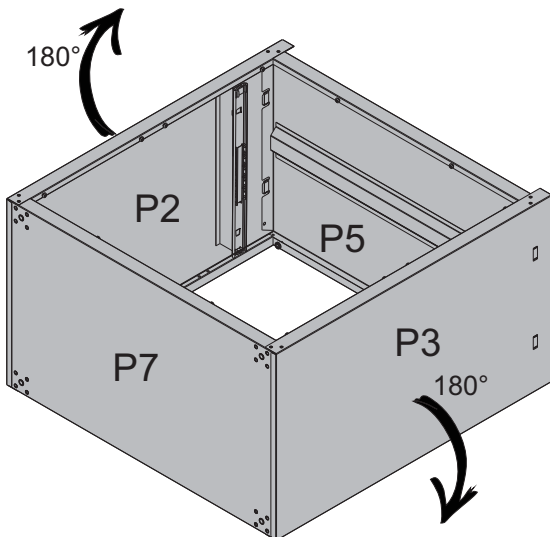
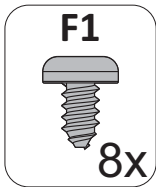
STEP 3

- 1 - Fit part **P5** between part **P2** and **P3**
- 2 - Check that all 4 tabs have been fitted
- 3 - Fit part **P5** to parts **P2** and **P3**, at the frontal side, with **F1**

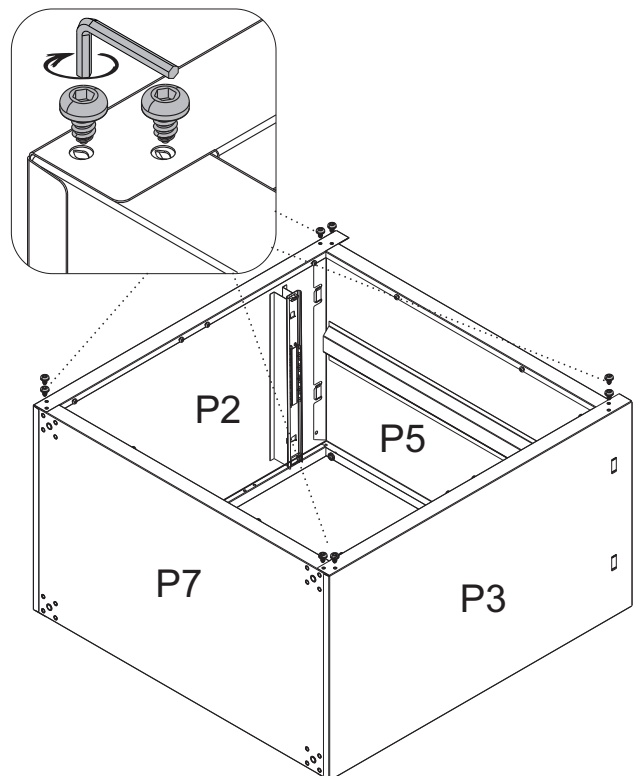


STEP 4

- 1 - Turn the cabinet with the back side upwards

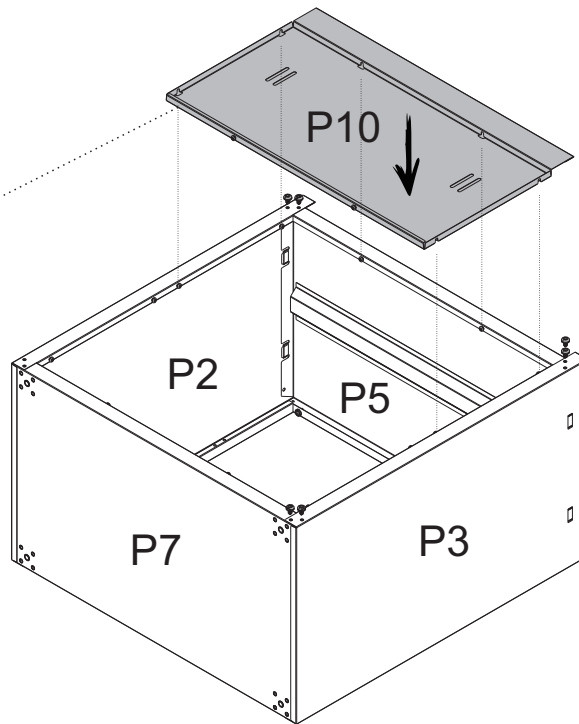
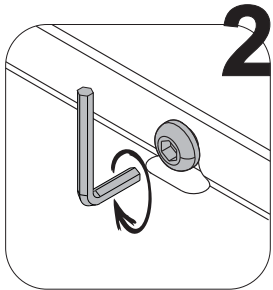
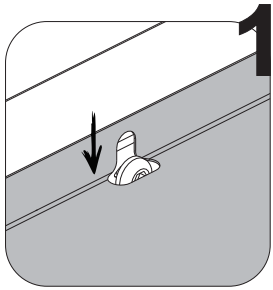


- 2 - Fit parts **P2** and **P3** to parts **P5** and **P7** with **F1**



STEP 5

- 1 - Fit part **P10** into parts **P2**, **P3** and **P5**
Check that all fits are supported over the bolts
- 2 - After fitting the parts, screw the bolts until locked

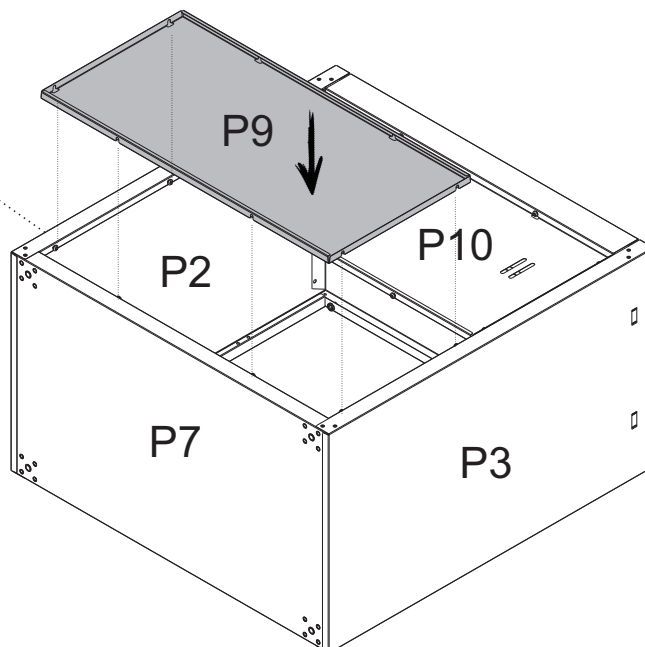
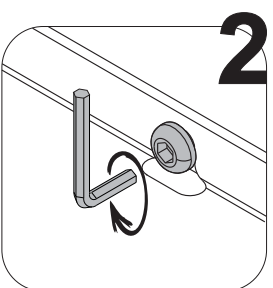
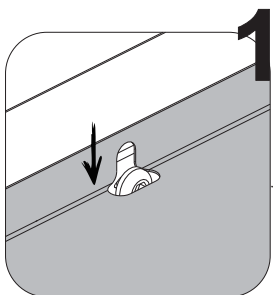


WARNING

“
Position part P10
on the P5 side for
mounting the
cabinet.”

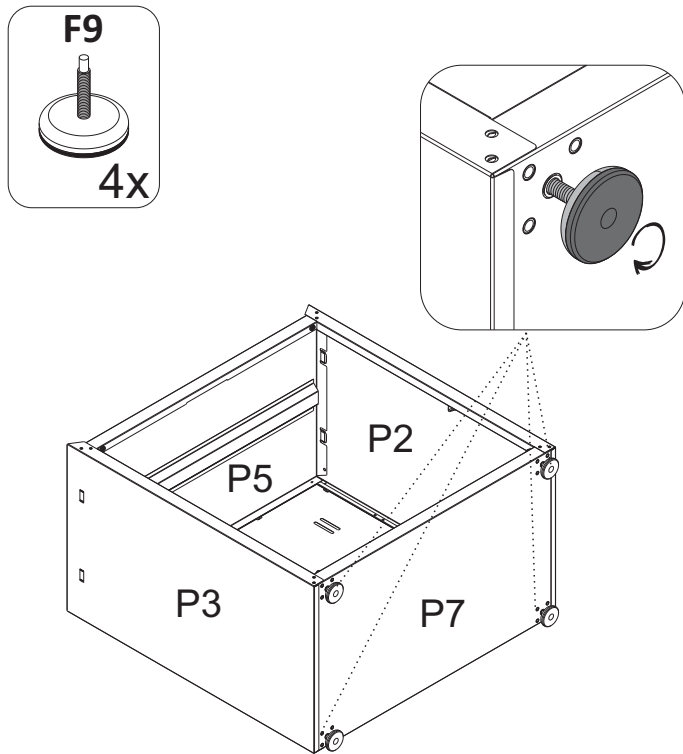
STEP 6

- 1 - Fit part **P9** into parts **P2**, **P3** and **P7**
Check that all fits are supported over the bolts
- 2 - After fitting the parts, screw the bolts until locked



STEP 7

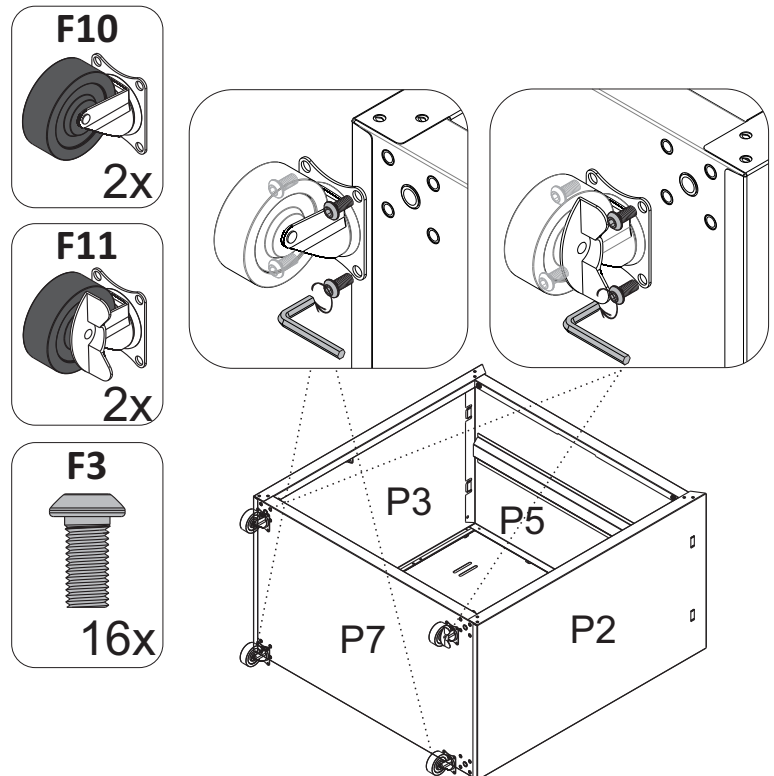
1 - To assembly the cabinet with shoe fit the accessory **F9** in part **P7** as illustrated here below and turn to screw. To level the height or the cabinet, turn the shoe either clockwise or counterclockwise to align it.



* Only in cabinets without caster

2 - To assembly the cabinet with caster, align the **F10** and **F11** to the holes in part **P7** and fix them with **F3**

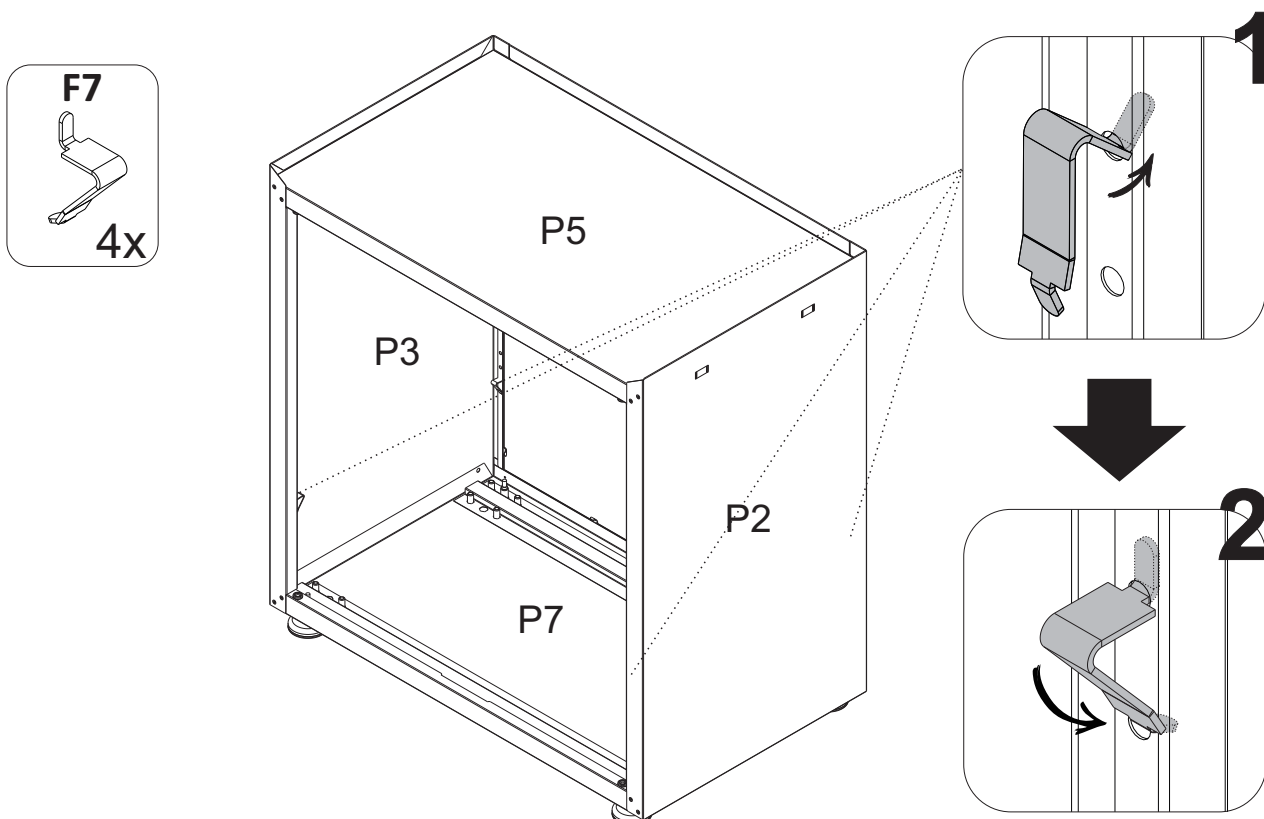
3 - **WARNING:** Casters with lock (**F11**) must be fitted in the frontal side of the cabinet



* Only in cabinets with caster

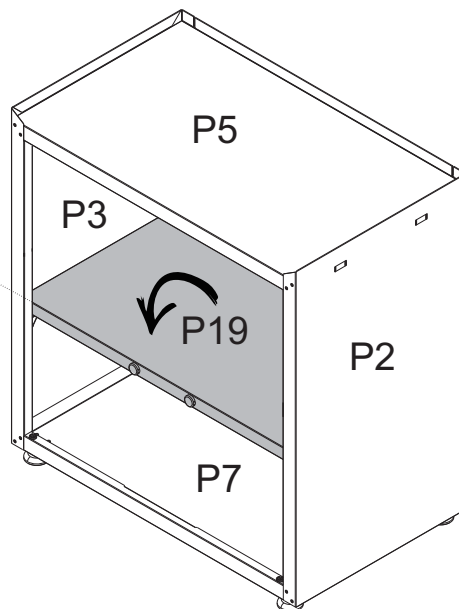
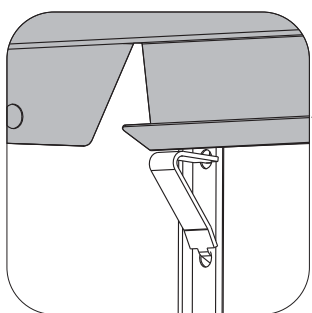
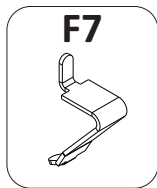
STEP 8

1- Turn the cupboard so that it will stand in the position of use
2- Fix **F7** to parts **P2** and **P3**, as shown here below



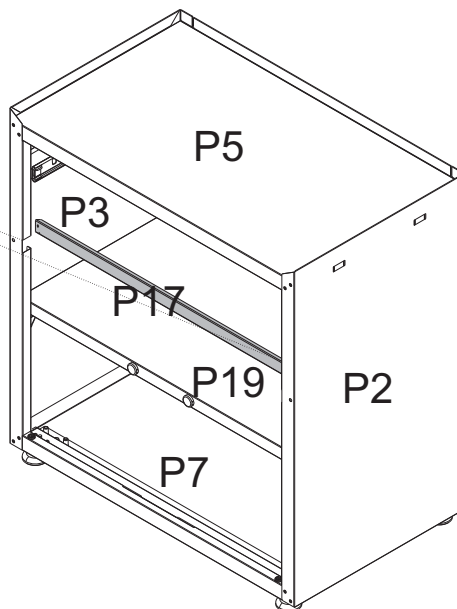
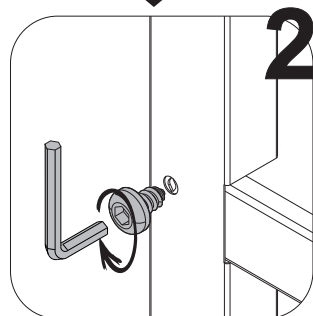
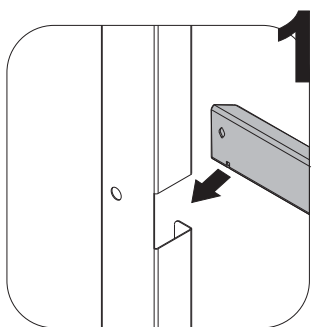
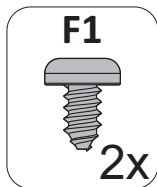
STEP 9

- 1 - Fit the lower part **P19** in diagonal position to insert it inside the cupboard
- 2 - Lean part **P19** in part **P2**, **P3** and place it over the **F7** detailed in the figure here below
- 3 - Lower the other side of part **P19**, leaning it over the left **F7**

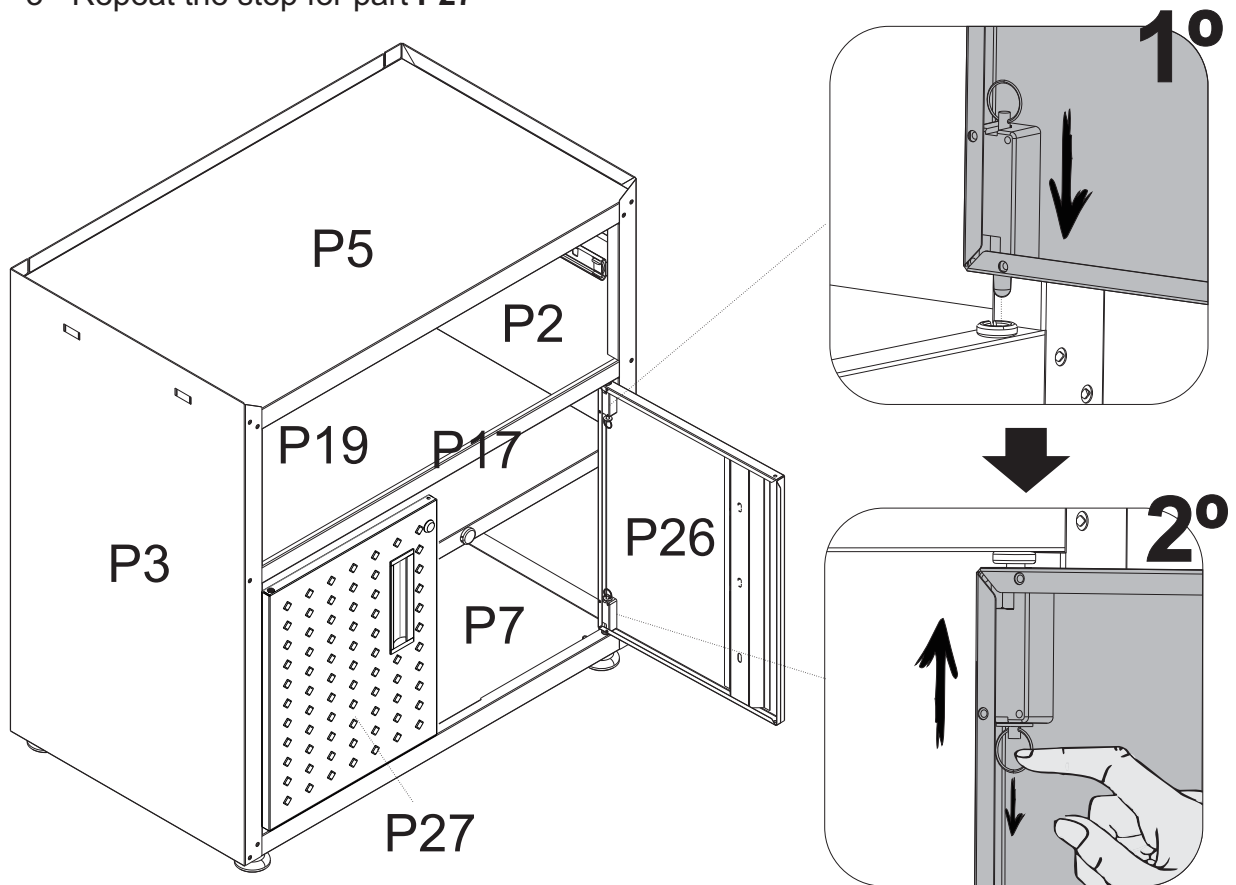


STEP 10

- 1 - Insert part **P17** inside the cabinet, in diagonal position.
Fit part **P17** in cut-offs of parts **P2** and **P3**, as detailed here below
- 3 - Fix part **P17** in parts **P2** and **P3**, with **F1**

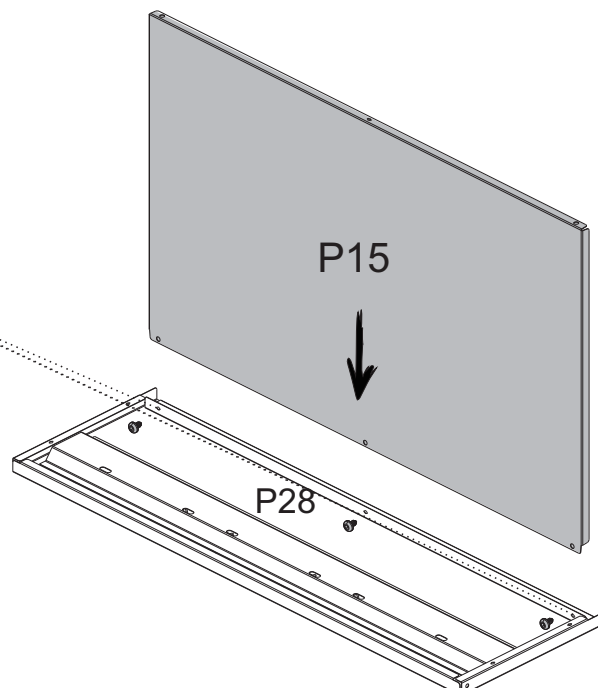
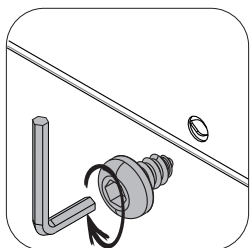
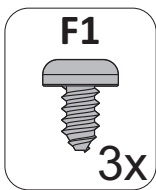


- STEP 11**
- 1 - To assembly the doors, fit door **P26** lower hinge bolt inside the bushing fixed in part **P7**
 - 2 - Then, pull down the pin of door **P26** upper hinge; align the door and release the pin to fit the bushing fixed in part **P17**
 - 3 - Repeat the step for part **P27**

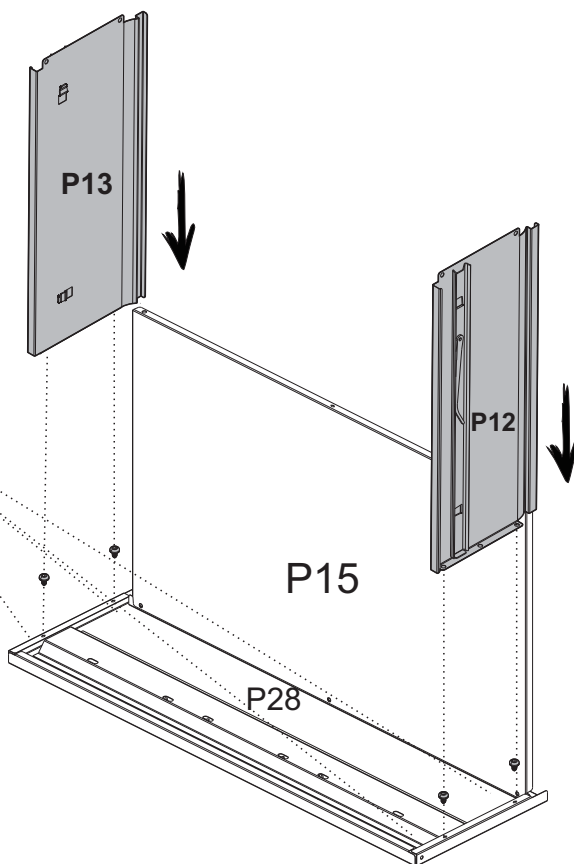
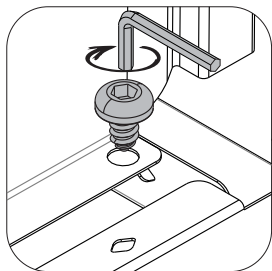
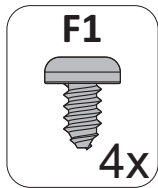


STEP 12

- 1 - Fit part **P15** to part **P28**
- 2 - Fit them with **F1**

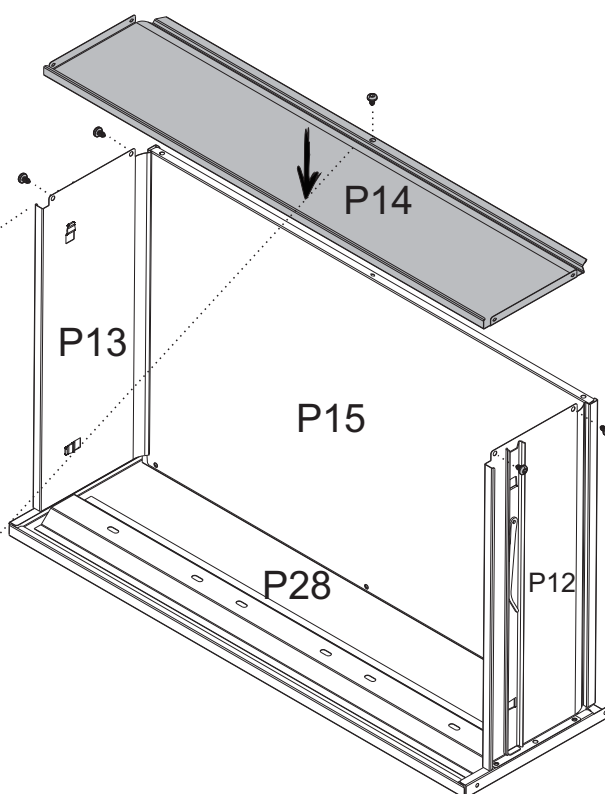
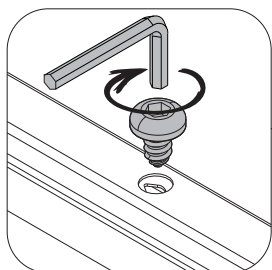
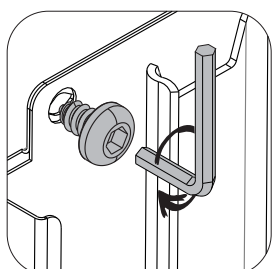
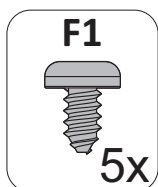


- STEP 13**
- 1 - Align parts **P12** and **P13** to part **P15**, until it leans against part **P28**
 - 2 - Fit them with **F1**



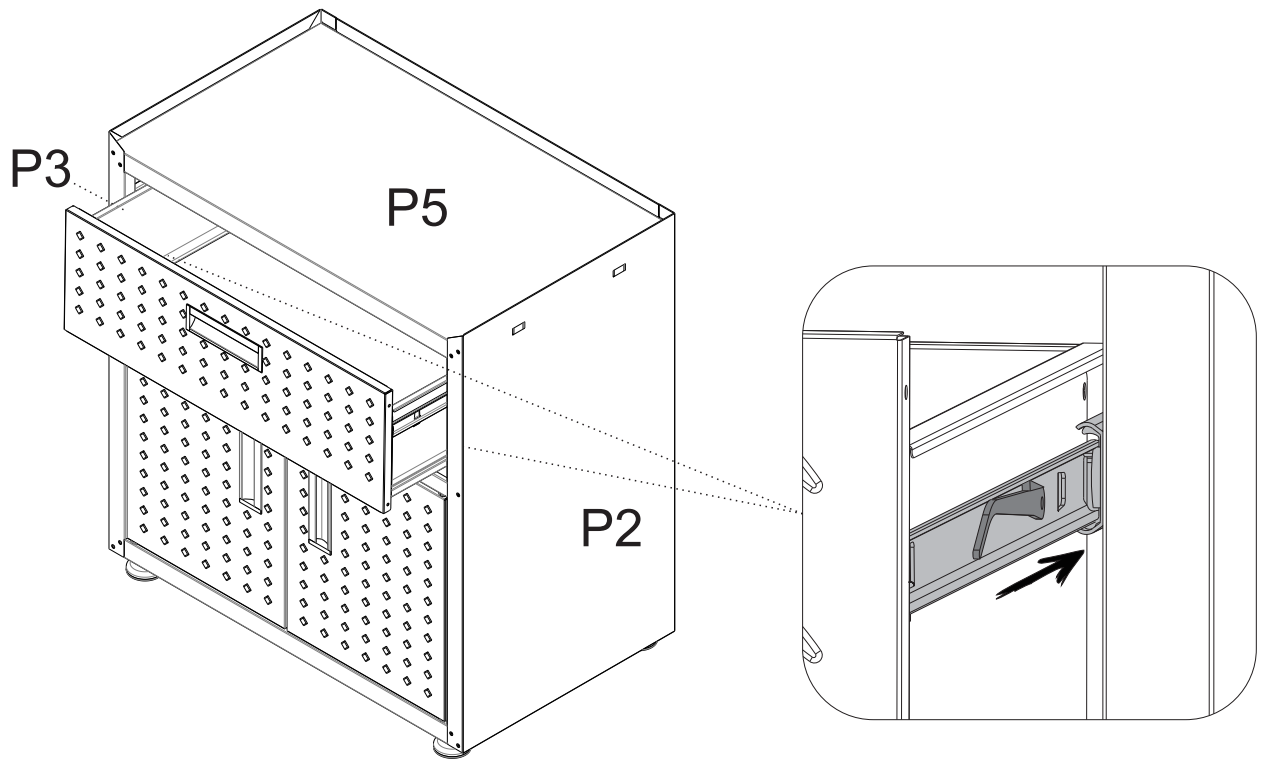
STEP 14

- 1 - Insert part **P14** over part **P15** and between parts **P12** and **P13**
- 2 - Then, fix part **P14** to parts **P12**, **P13** and **P15**, with **F1**



STEP 14

- 1 - Fit the drawers – already assembled – between parts **P2** and **P3**, through the slidings
- 2 - Check that slidings of both sides are properly fitted. Move the drawer, opening and closing it, testing



STEP 15

- 1 - Insert product log

