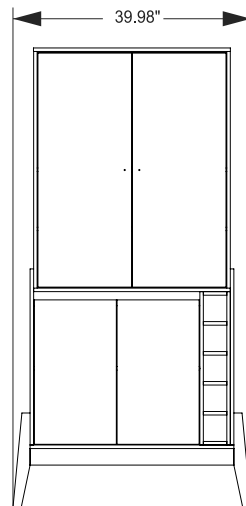
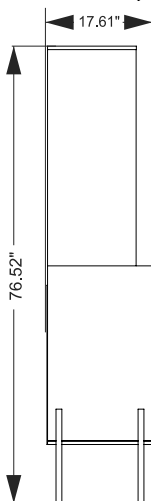


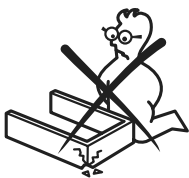
MANHATTAN  
COMFORT

**Essence Glass-Door Cabinet**

Model # 350924, 350925

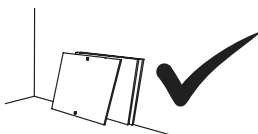
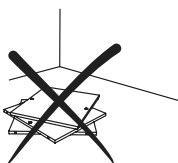


Cód.: 37454 - 29/05/2018



#### For Best Results

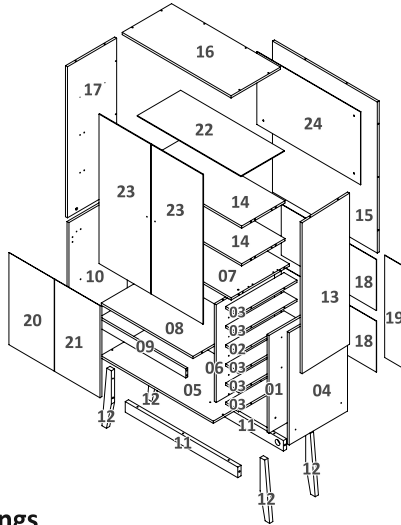
- Do not throw away packaging materials until assembly is complete.
- Assemble item on a soft surface, such as cardboard or carpet, to protect finish.
- Proper assembly requires two people.



#### Tools Required



# Included in this Package



- 01 RIGHT DIVISION x1
- 02 SCREWED SHELF OF CELLAR x1
- 03 SHELF WITH WOODEN DOWEL OF CELLAR x5
- 04 RIGHT SIDE x1
- 05 LOWER TOP x1
- 06 LEFT DIVISION OF THE CELLAR x1
- 07 UPPER TOP x1
- 08 SHELF x1
- 09 BACKSTOP x1
- 10 LEFT SIDE x1
- 11 BATTEN OF FEET x2
- 12 FEET x4
- 13 TOP RIGHT SIDE x1
- 14 TOP SHELF x1
- 15 TOP BACK x1
- 16 TOP OF GLASS DOOR CABINET x1
- 17 TOP LEFT SIDE x1
- 18 LOWER BACK x2
- 19 LOWER BACK RIGHT x1
- 20 LOWER LEFT DOOR x1
- 21 LOWER RIGHT DOOR x1
- 22 GLASS SHELF x1
- 23 TOP DOOR x2
- 24 MIRROR x1
- 25 FITTINGS x1

## 25 Fittings


### Where to find the items

Box 01	Box 02	Box 03
01 06 11 21	13	22
02 07 12 25	14	23
03 08 18	15	24
04 09 19	16	
05 10 20	17	

Assembly time: 100 min

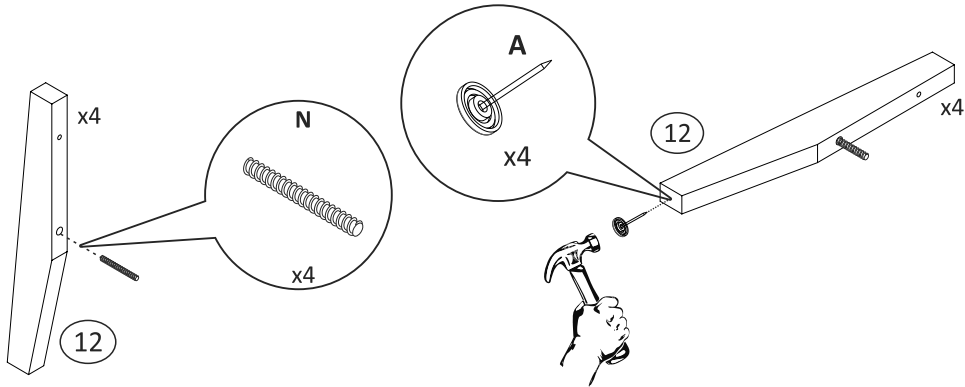
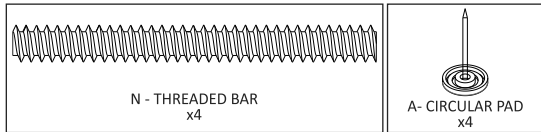
Tip of the number of people required for product assembly.



## Prepare the pieces

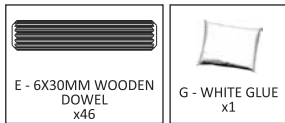
### Step 1

Insert four threaded bar (N) on the sides of the feet (12) then, nail four circular pads (A) below of the feet (12) using a hammer.

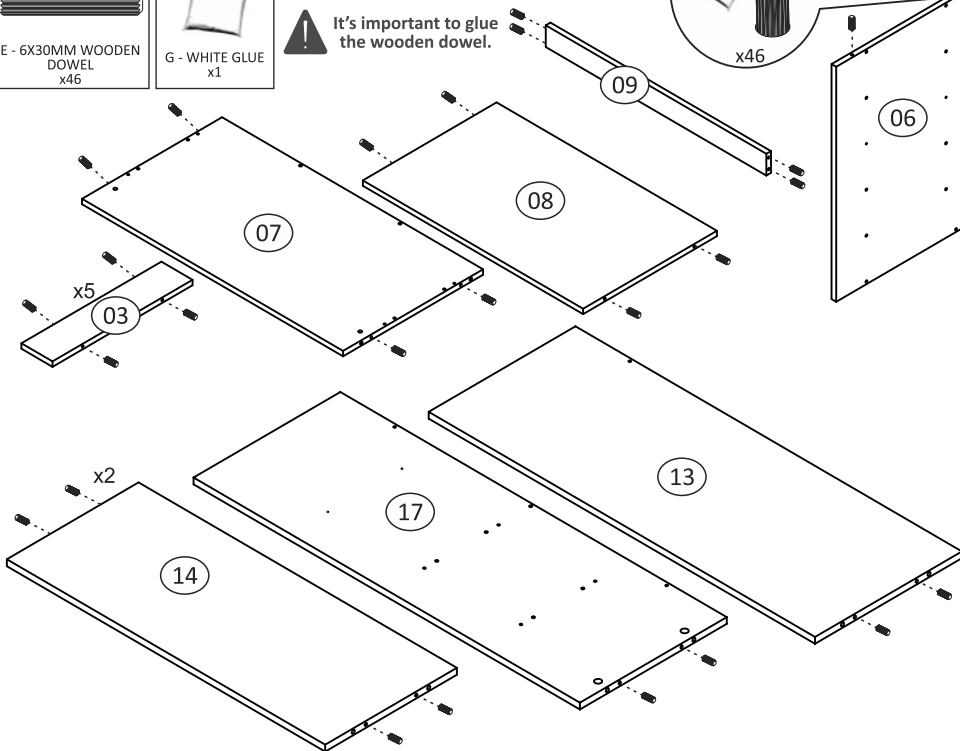
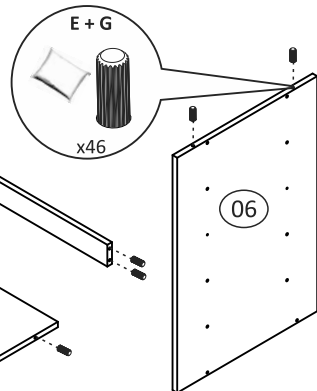


### Step 2

Insert the wooden dowels (E) into parts 01,03,07,08, 09, 13, 14 and 17. Remember to use the glue (G).



⚠ It's important to glue the wooden dowel.





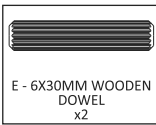
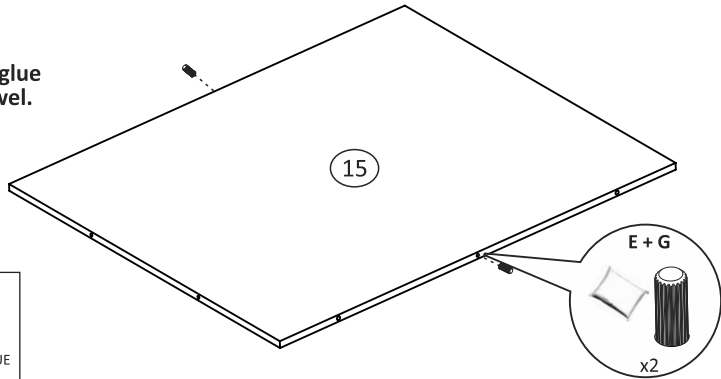
## Prepare the pieces

### Step 3

Insert the two wooden dowels (E) into part 15. Remember to use the glue (G).

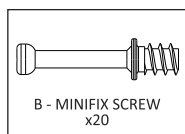
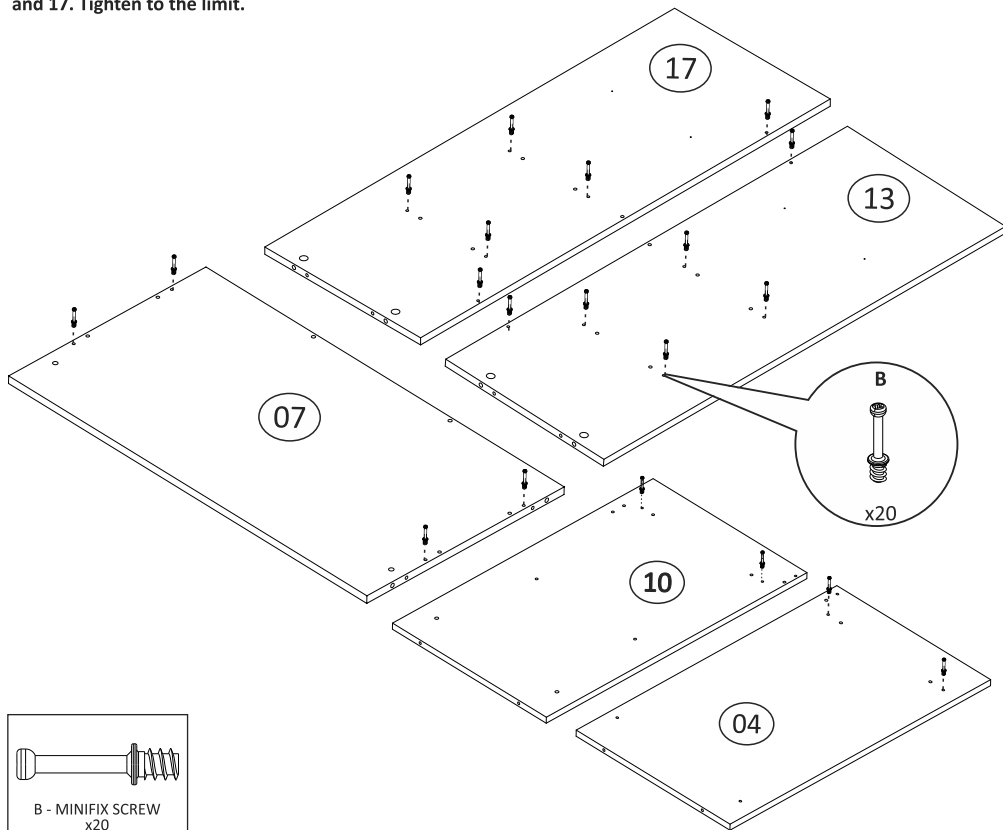


It's important to glue the wooden dowel.



### Step 4

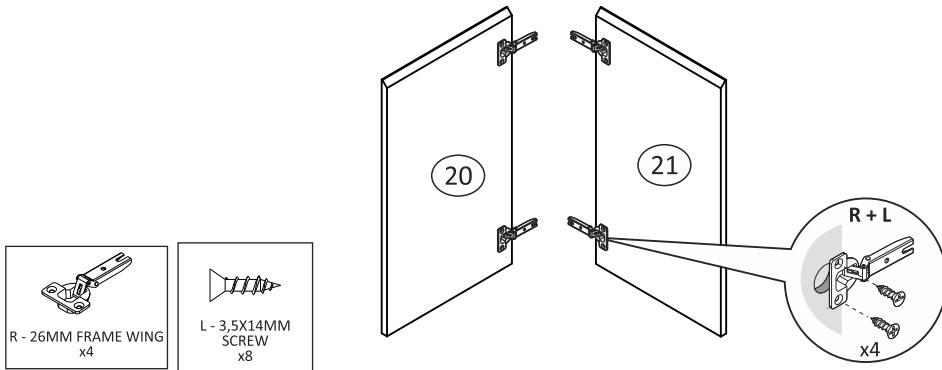
Insert screw (B) into parts 04, 07, 10 13 and 17. Tighten to the limit.



## Prepare the pieces

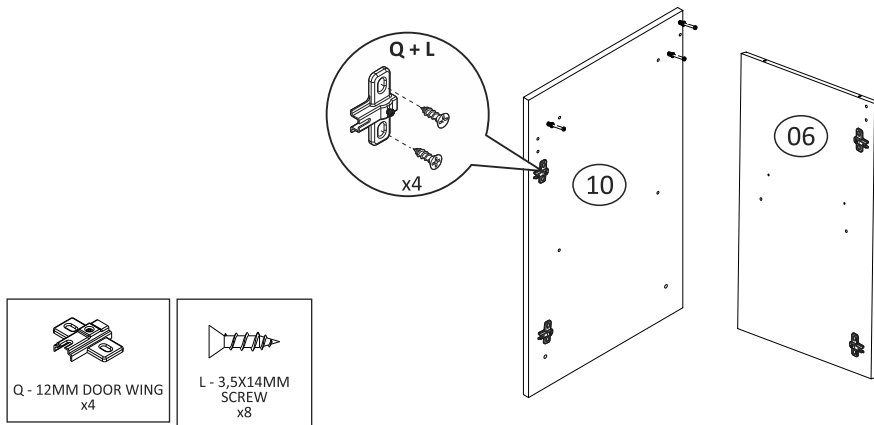
### Step 5

Fix the hinges (R) on the marks on the doors  
20 and 21, using the screw (L)



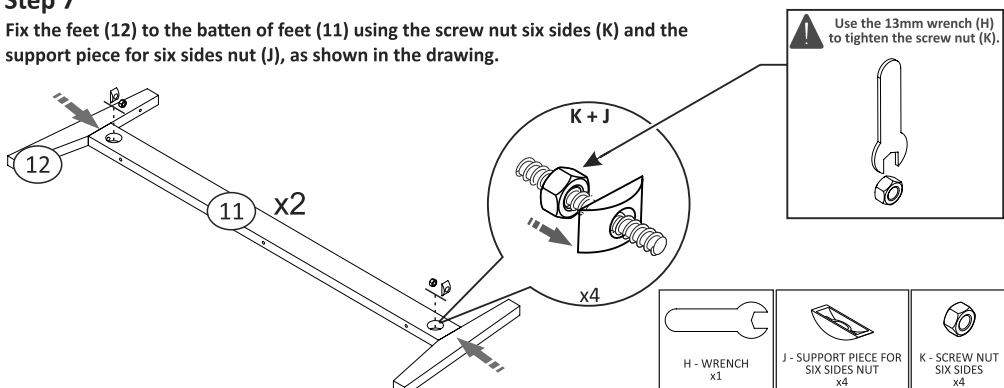
### Step 6

Fix the door wing (Q) on the marks on the parts 06, and 10,  
using the screw (L).



### Step 7

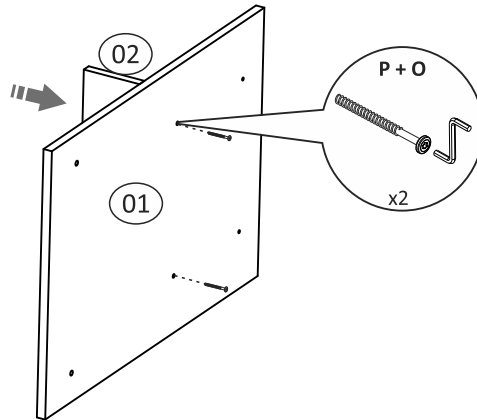
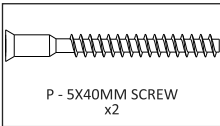
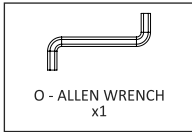
Fix the feet (12) to the batten of feet (11) using the screw nut six sides (K) and the  
support piece for six sides nut (J), as shown in the drawing.



# Assembly

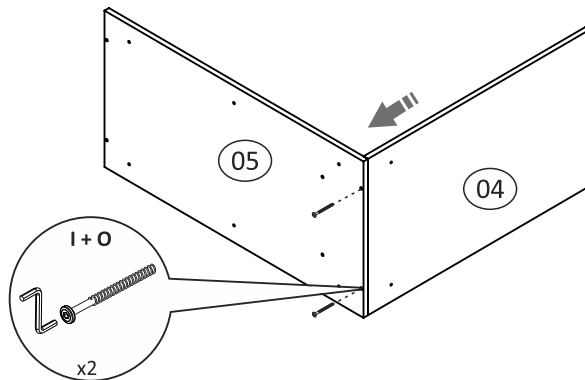
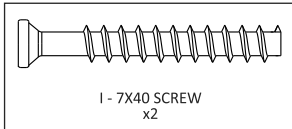
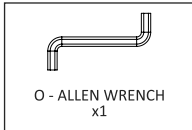
## Step 8

Put the parts 01 and 02 together and use two screws (P) and the Allen wrench (O).



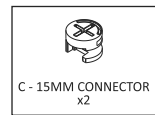
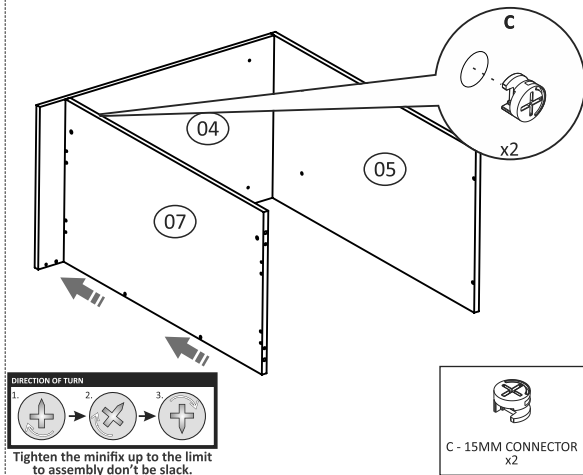
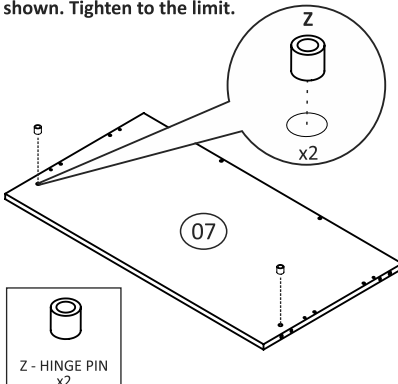
## Step 9

Put the parts 04 and 05 together and use two screws (I) and the Allen wrench (O).



## Step 10

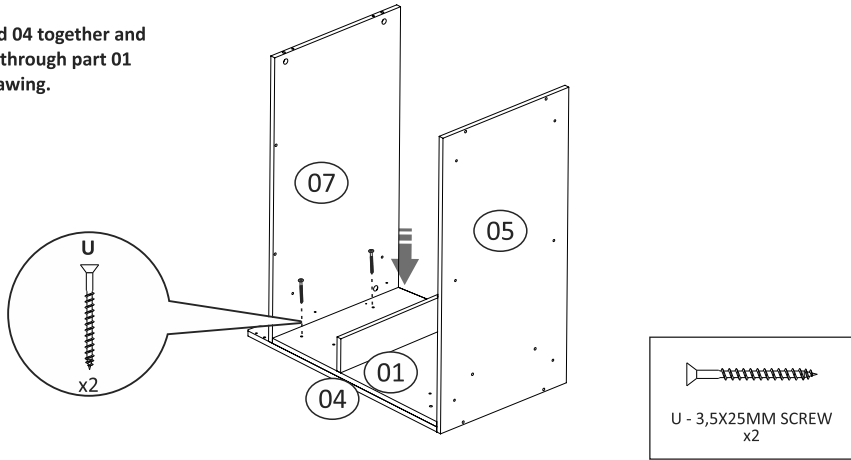
Put the two hinge pins (Z) in the part 07. Then put the part 07 together with part 04 and use two minifix connector (C) and rotate clockwise as shown. Tighten to the limit.



# Assembly

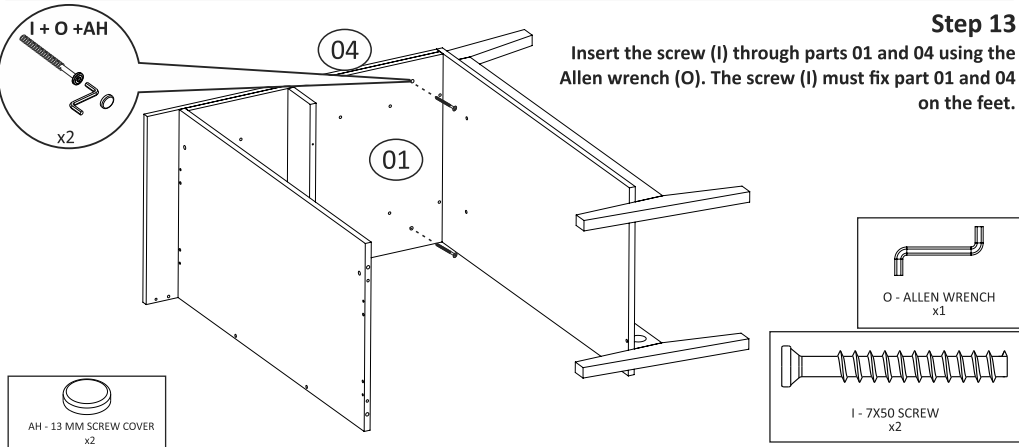
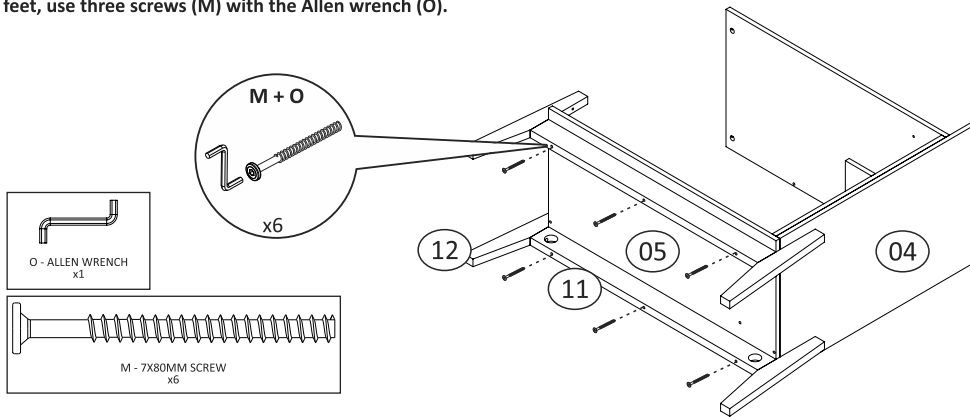
## Step 11

Put the parts 01 and 04 together and use two screws (U) through part 01 according to the drawing.



## Step 12

Put feet on part 05 as the drawing. On each batten of feet, use three screws (M) with the Allen wrench (O).



## Step 13

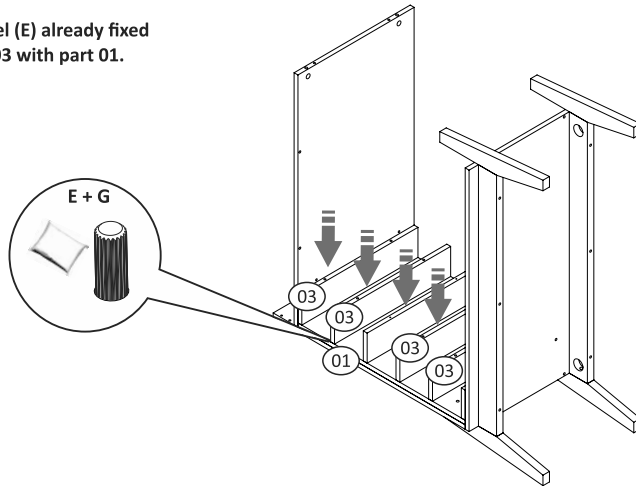
Insert the screw (I) through parts 01 and 04 using the Allen wrench (O). The screw (I) must fix part 01 and 04 on the feet.

# Assembly

## Step 14

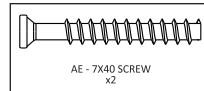
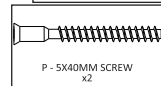
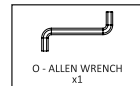
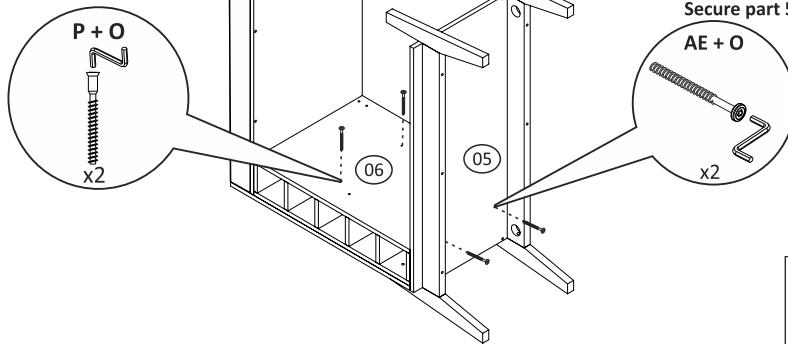
Put the glue (G) in the wooden dowel (E) already fixed into parts 03. Then insert the parts 03 with part 01.

**!** It's important to glue the wooden dowel.



## Step 15

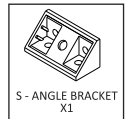
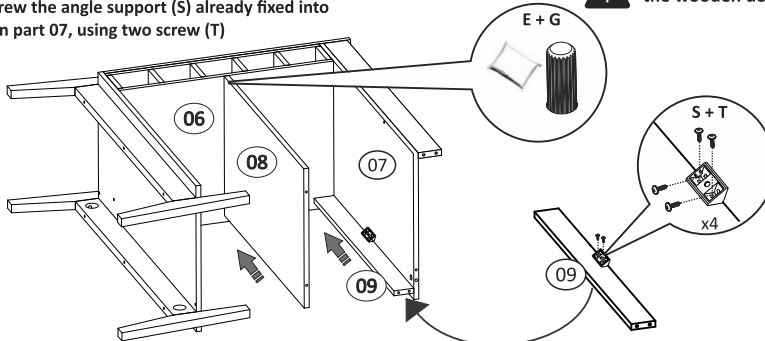
Insert part 06, and use two screws (P) to fix on part 02, then insert two (AE) through part 05, using the Allen wrench (O). Attach part 6 to part 2 with the screw (P). Secure part 5 and 6 with screw (AE).



## Step 16

Fix the angle support (S) in part 09, using two screws (T). Then, put the glue (G) in the wooden dowel (E) already fixed into parts 08 and 09 and put the parts 08 and 09 with part 06. Then, screw the angle support (S) already fixed into part 09 in part 07, using two screw (T)

**!** It's important to glue the wooden dowel.



# Assembly

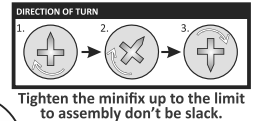
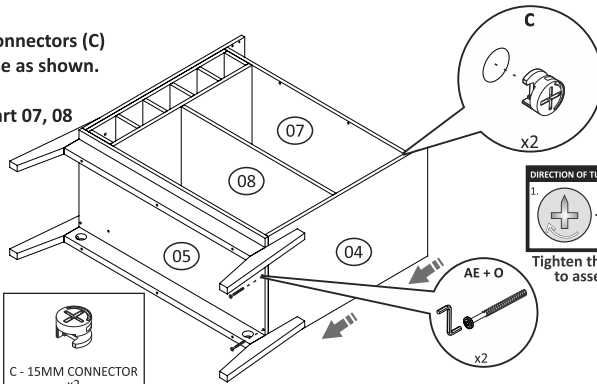
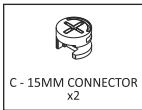
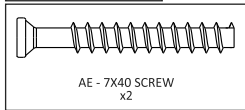
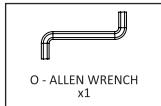
## Step 17

Put the parts 05, 07, 08 and 11 together and use two screws (AE) and the Allen wrench (O) through part 05.

Then Insert the two minifix connectors (C) in part 07 and rotate clockwise as shown.

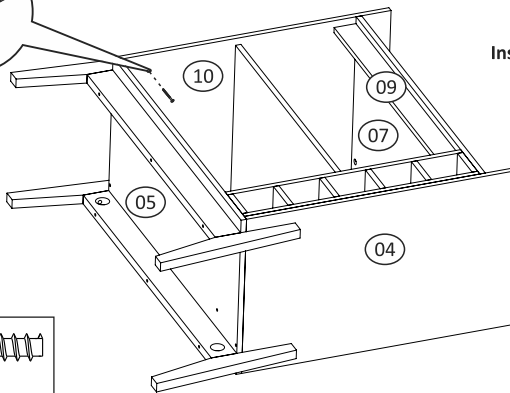
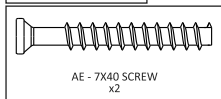
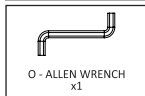
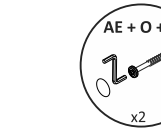
Tighten to the limit.

Remember to fit part 11 to part 07, 08 and 09 before screwing.



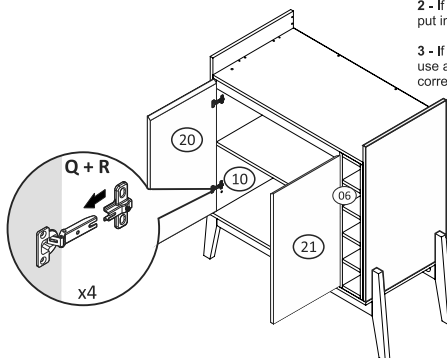
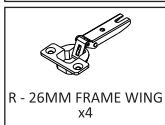
## Step 18

Insert the two screws (I) through part 11 using the Allen wrench (O). The screw (I) must fix part 11 on the feet. Insert the stickers (D) over the screws (AE).



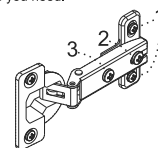
## Step 19

Insert the frame wing (R) together in the door wing (Q) to fix the doors 20 and 21 in parts 06 and 10.



To adjust the doors follow the instructions as the numbers below:

- 1 - If you need to put up or down the door, unscrew the screws(1) put in the same position and tighten again.
- 2 - If you need to push or pull the door, unscrew the screws(1) put in the same position and tighten again.
- 3 - If you need to align the doors to the center, or toward the sides, use a phillips wrench to turn the screw (3) to put the door on the correct position as you need.



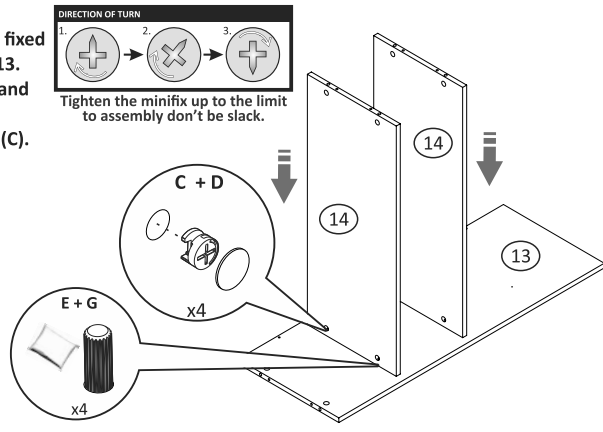
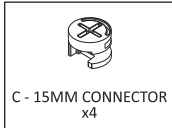
# Assembly

## Step 20

Put the glue (G) in the wooden dowel (E) already fixed into parts 14. Then insert the parts 14 with part 13. Insert the four minifix connectors (C) in parts 14 and rotate clockwise as shown. Tighten to the limit. Insert the sticker (D) over the minifix connectors (C).

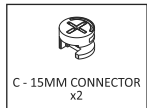
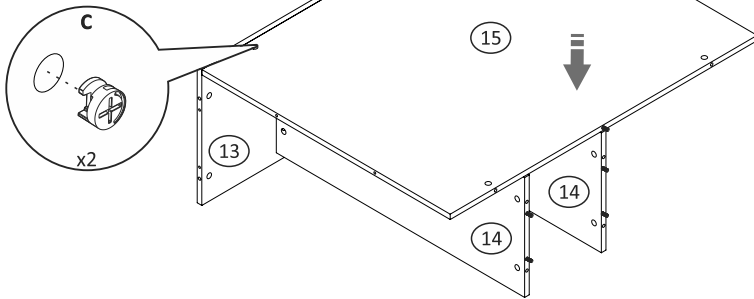
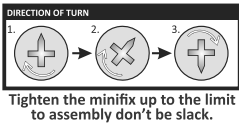


**!** It's important to glue the wooden dowel.



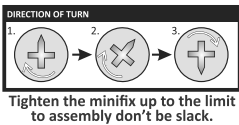
## Step 21

Put the parts 13, 14 and 15 together and insert the two minifix connectors (C) in part 15 and rotate clockwise as shown. Tighten to the limit.

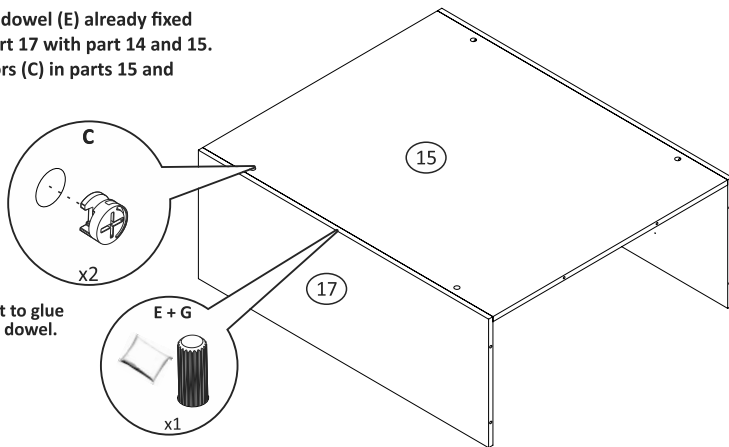
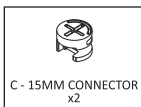


## Step 22

Put the glue (G) in the wooden dowel (E) already fixed into part 14. Then insert the part 17 with part 14 and 15. Insert the two minifix connectors (C) in parts 15 and rotate clockwise as shown. Tighten to the limit.



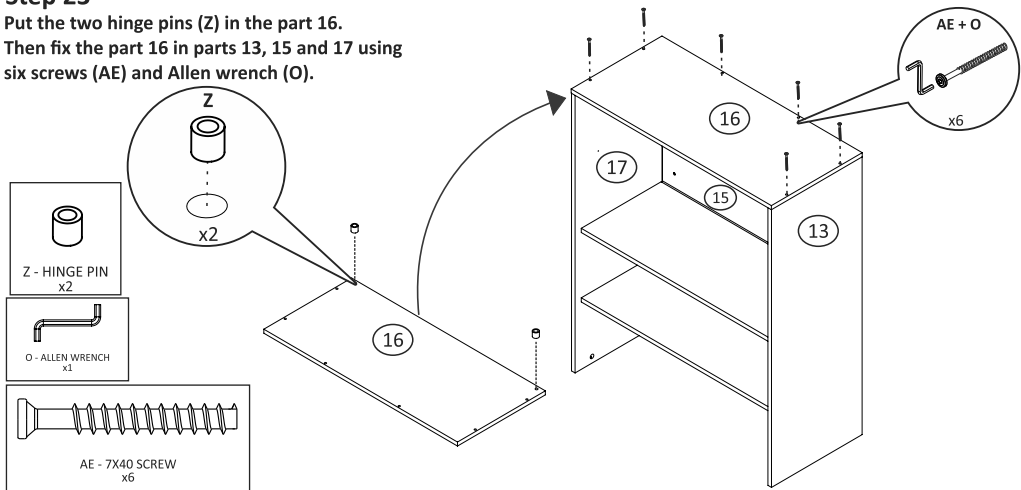
**!** It's important to glue the wooden dowel.



## Assembly

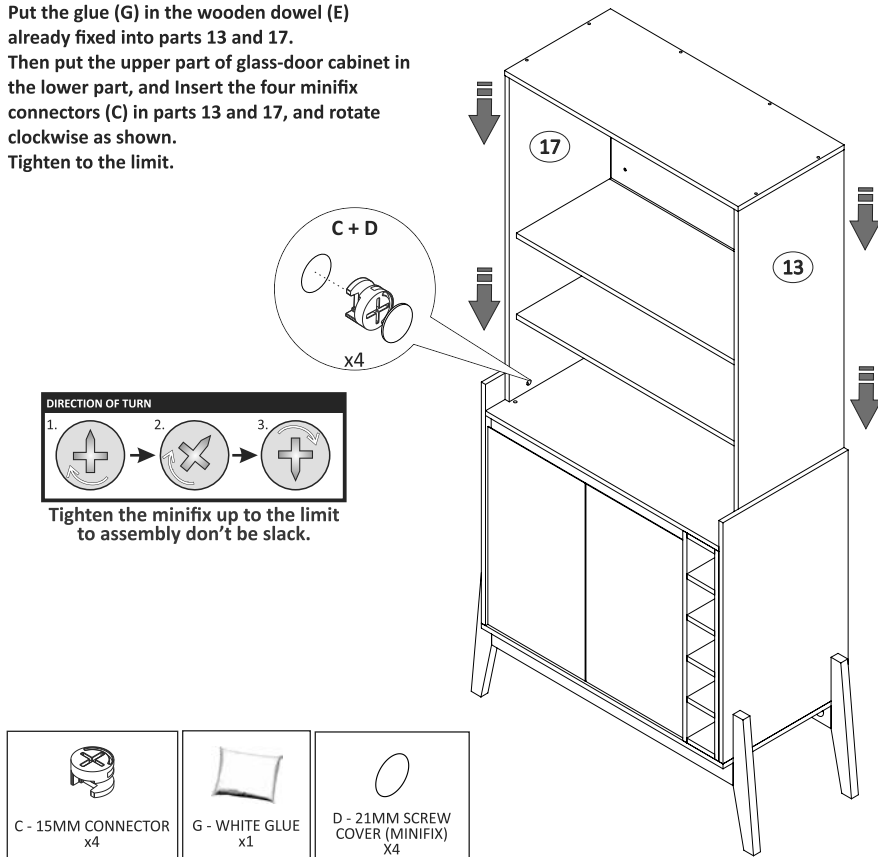
### Step 23

Put the two hinge pins (Z) in the part 16.  
Then fix the part 16 in parts 13, 15 and 17 using six screws (AE) and Allen wrench (O).



### Step 24

Put the glue (G) in the wooden dowel (E) already fixed into parts 13 and 17.  
Then put the upper part of glass-door cabinet in the lower part, and insert the four minifix connectors (C) in parts 13 and 17, and rotate clockwise as shown.  
Tighten to the limit.

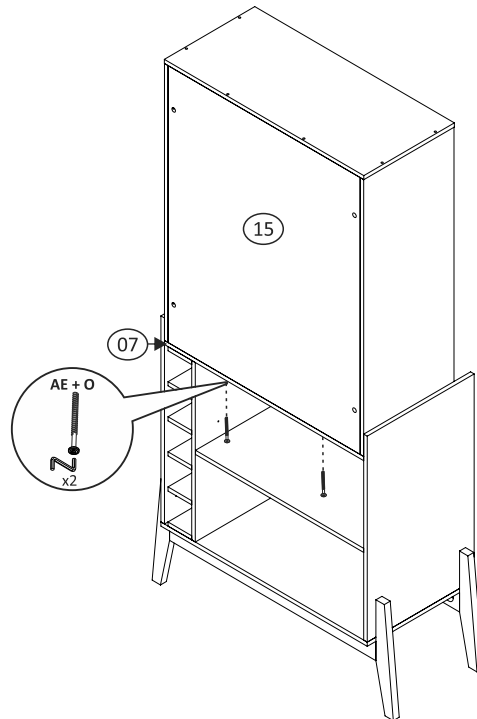
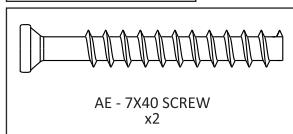
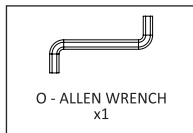




## Assembly

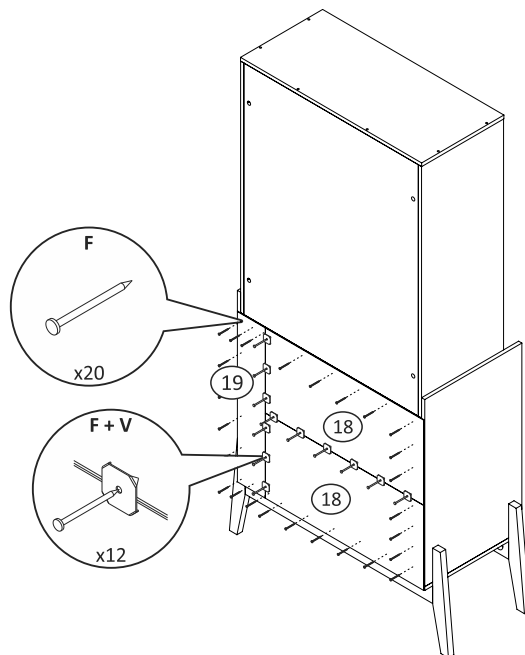
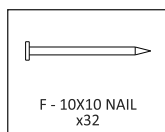
### Step 25

Use two screws (AE) through part 07 according to the drawing to fix on part 15.



### Step 26

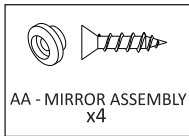
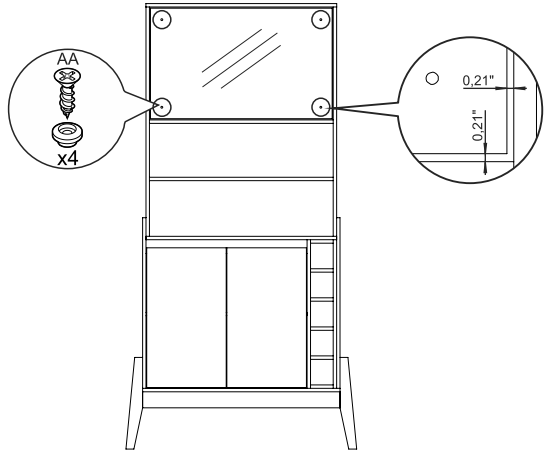
Fix the backs 18 and 19 using the nails (F) and fixer for back wardrobe (V).



## Assembly

### Step of mirror

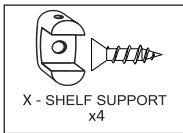
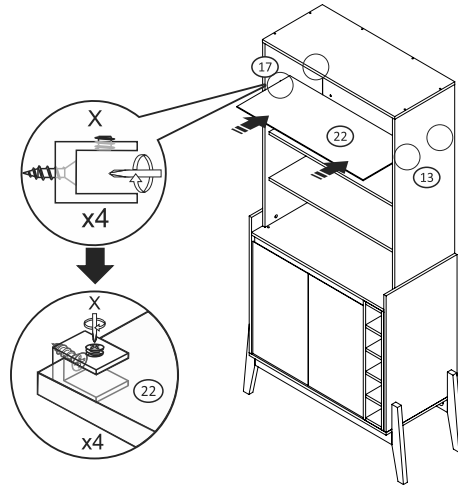
Put the parts 15 and 24 together and use four support to mirror and four screws (AA).



### Step 27

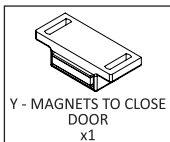
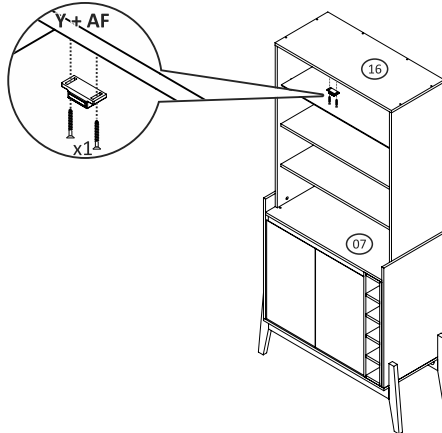
Insert four shelf support (X) in parts 13 and 17 using the screw included in the kit. When it is ok, insert the part 22 in glass-door cabinet.

Then tighten the bracket screw (X) to lock the part 22. Be careful as it is a piece of glass.



### Step 28

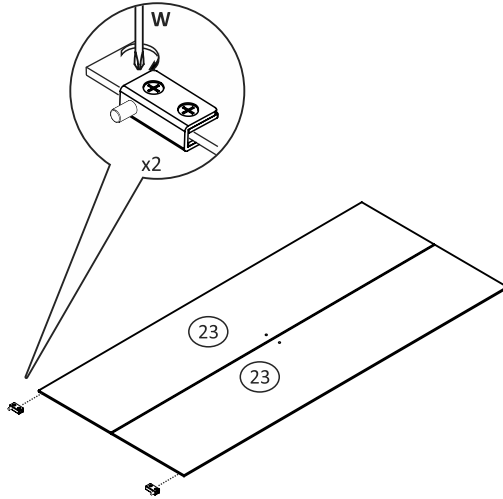
fix the magnets to close the door (Y) in parts 07 and 16, and use four screws (AF) according to the drawing.



# Assembly

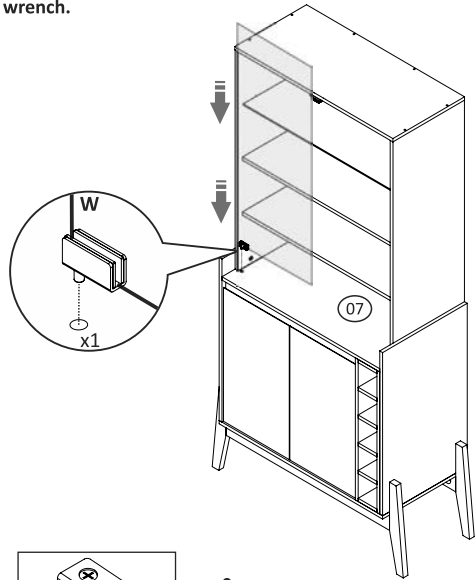
## Step 29.1

Put the hinges for glass (W) and the doors (23) together and screw using a philips wrench, according to the drawing



## Step 29.2

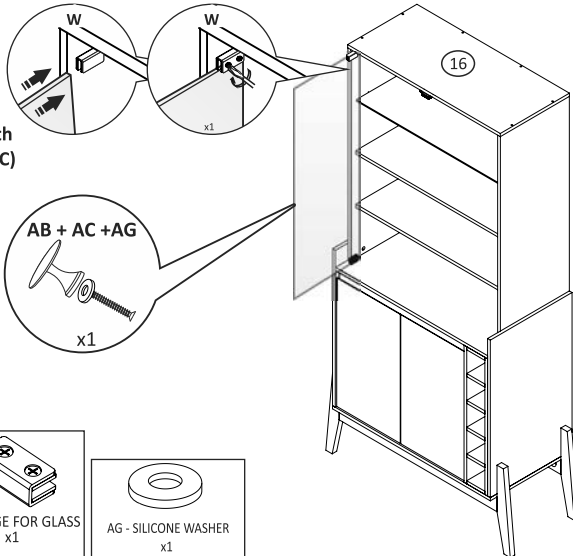
Insert the hinges for glass (w) already fixed in the door, in the hinge pin (Z) already fixed into part 07, and screw using a philips wrench.



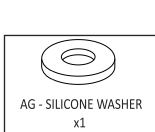
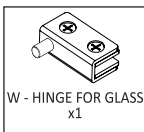
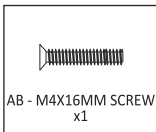
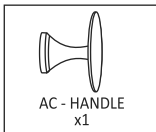
Be careful! It's a glass-door extremely fragile

## Step 30

Insert the hinges for glass (W) in hinge pin already fixed into part 16, hold the door hinges for glass (w) and insert the door according to the drawing. When OK, insert the screw (AB) from inside the door along with the silicone ring (AG) and tighten the knob (AC) on the outside.



Be careful! It's a glass-door extremely fragile



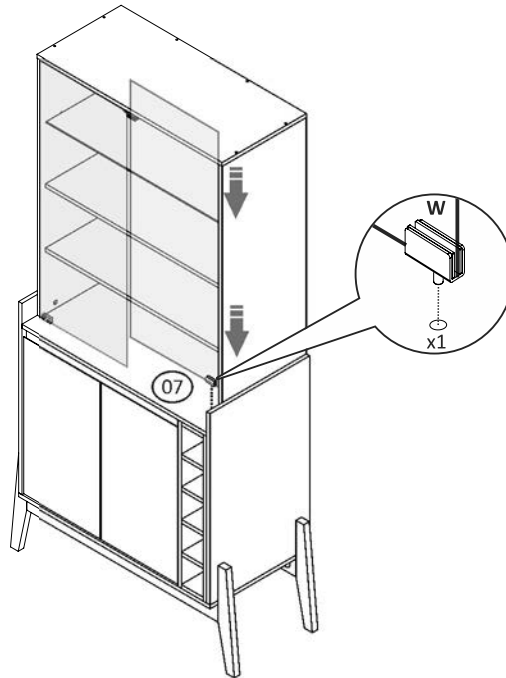
## Assembly

### Step 31

As in step 29, insert the hinges for glass (W) already fixed in the door, in hinge pin (Z) already fixed into part 07, and screw using a philips wrench.



Be careful! It's a glass-door extremely fragile

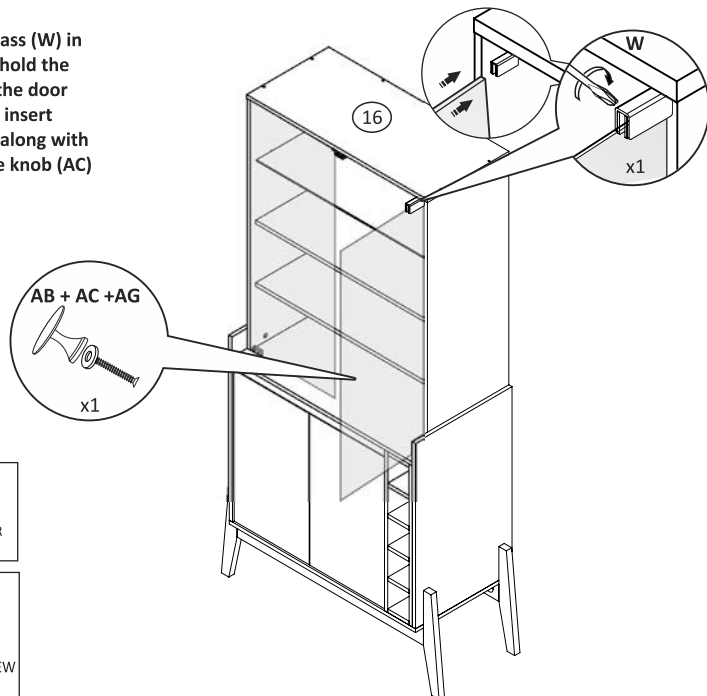
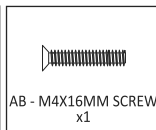
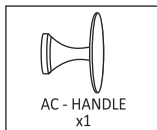
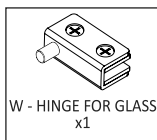


### Step 32

As in step 30, insert the hinges for glass (W) in hinge pin already fixed into part 16, hold the door hinges for glass (w) and insert the door according to the drawing. When OK, insert the screw (AB) from inside the door along with the silicone ring (AG) and tighten the knob (AC) on the outside.



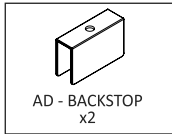
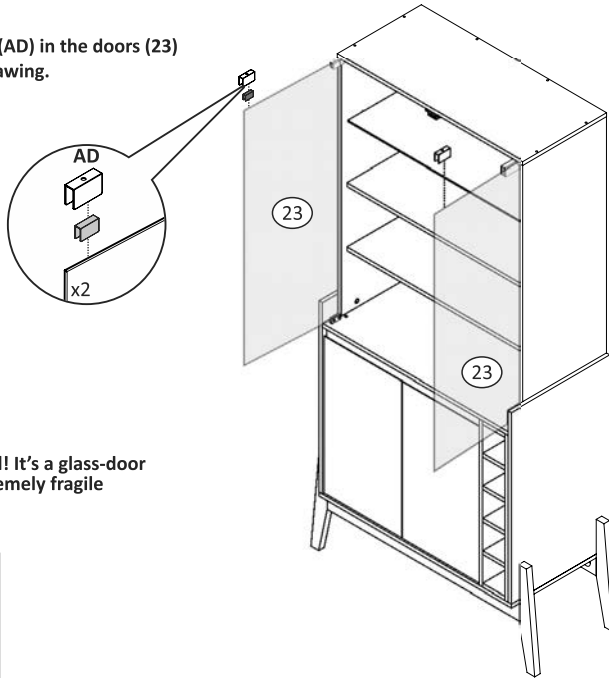
Be careful! It's a glass-door extremely fragile



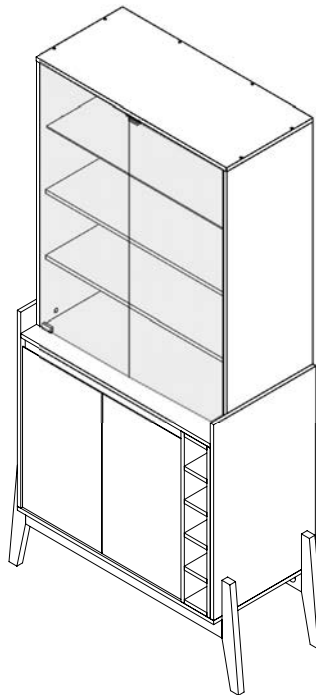
## Assembly

### Step 33

Insert the backstop (AD) in the doors (23) according to the drawing.



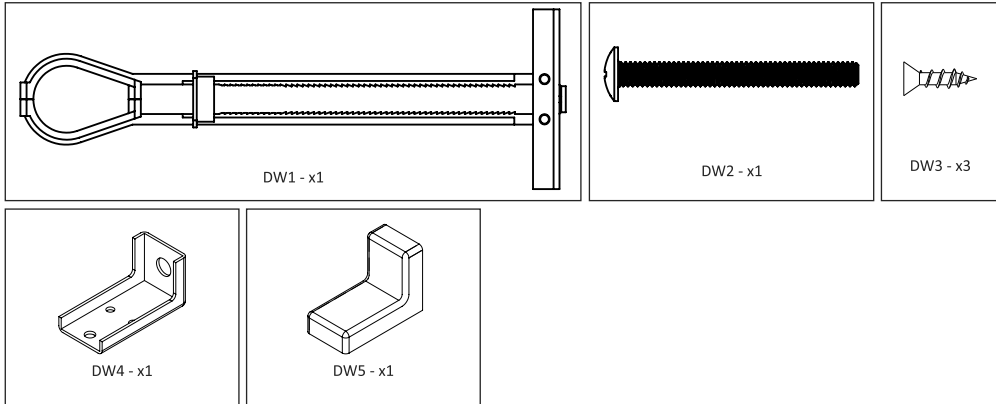
### Step 34



## Safe and Security

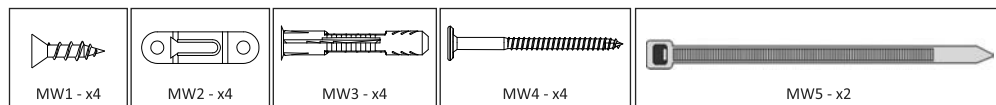
### KIT FOR DRYWALL DW = DRYWALL

#### Go to Step 35



### KIT FOR MASONRY MW = MASONRY WALL

#### Go to Step 46



# WARNING



Serious or fatal crushing injuries can occur from furniture tip-over. **ALWAYS** secure this furniture to the wall using tip-over restraints. To further reduce the risk of serious injury and death from tip-overs:

- Place heaviest items in the lower drawer.
- Do not set TVs or other heavy objects on the top of this product.
- Never allow children to climb or hang on drawers doors or shelves.

**DON'T PULL THE FURNITURE TO CHANGE IT.  
INSTEAD OF PULLING, PUSH IT ON THE DIRECTION YOU WANT.**

# Safe and Security

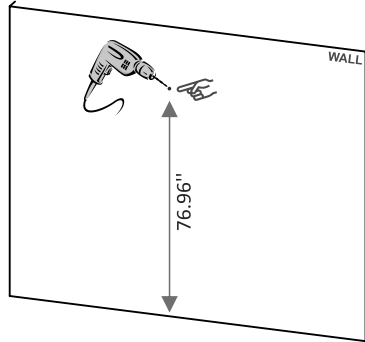
## KIT FOR DRYWALL

### Step 35

1. Make holes on the wall following the model below and specifications:
  - Ø 14mm (9/16") drill.
  - ▾ Depth of 60mm (2.36").

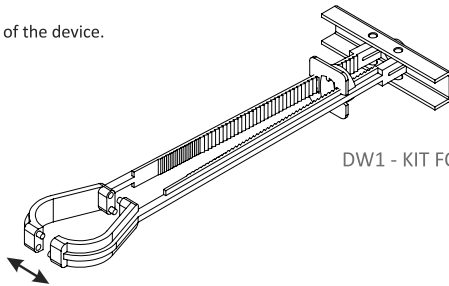


Use an electric drill.



### Step 36

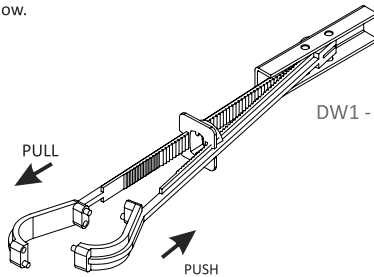
2. Separate the two nylon parts of the device.



DW1 - KIT FOR DRYWALL

### Step 37

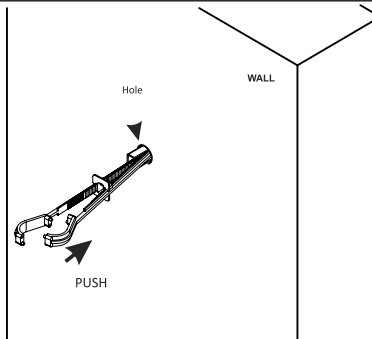
3. Fold the metal part as shown below.



DW1 - KIT FOR DRYWALL

### Step 38

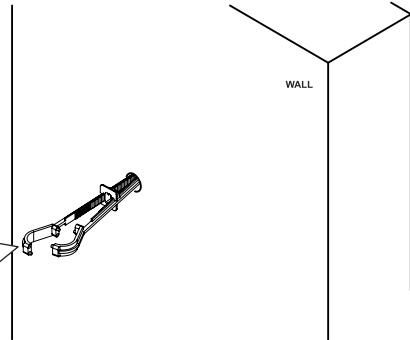
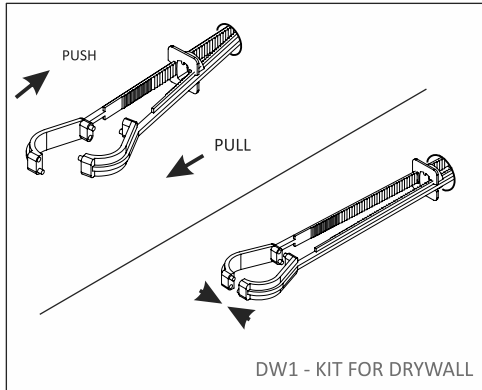
4. Insert the devices into the hole made on the drywall.



## Safe and Security

### Step 39

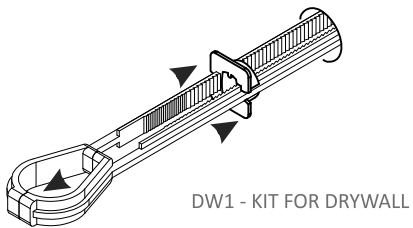
5. As the device inserted into the drywall pull the nylon pieces as below and fitting the two parts.



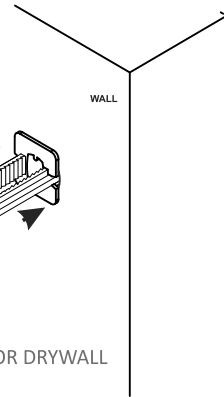
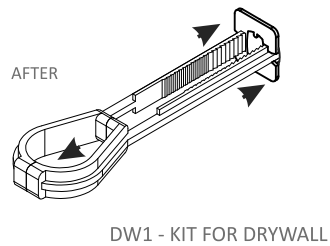
### Step 40

6. Adjust the metal part detached to the hole made on the drywall. For this necessary to pull the handle on the opposite direction.

BEFORE



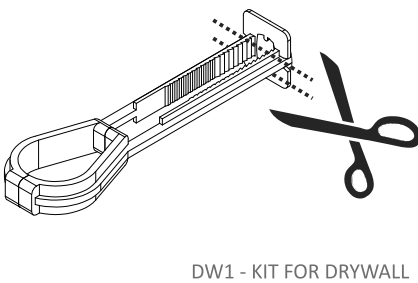
AFTER



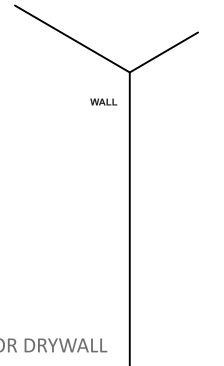
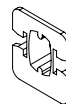
### Step 41

7. Cut the space nylon parts of the device.

BEFORE



AFTER

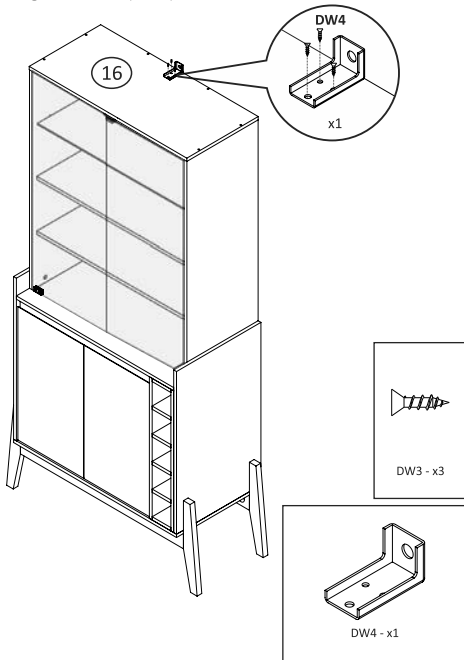




## Safe and Security

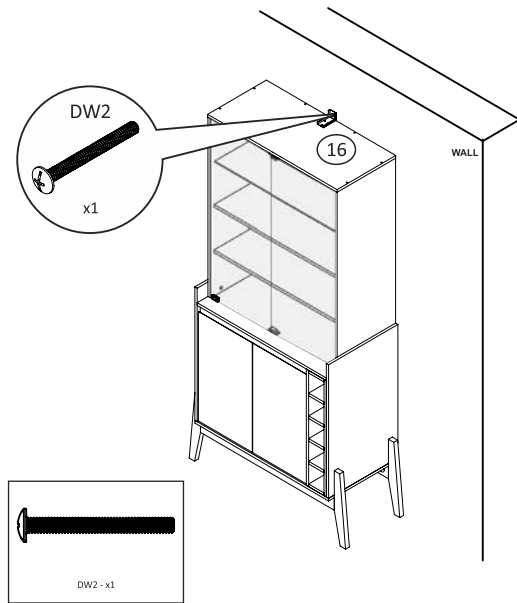
### Step 42

8. Put the corner (DW4) on the upper top (16) of the product, using the screws (DW3).



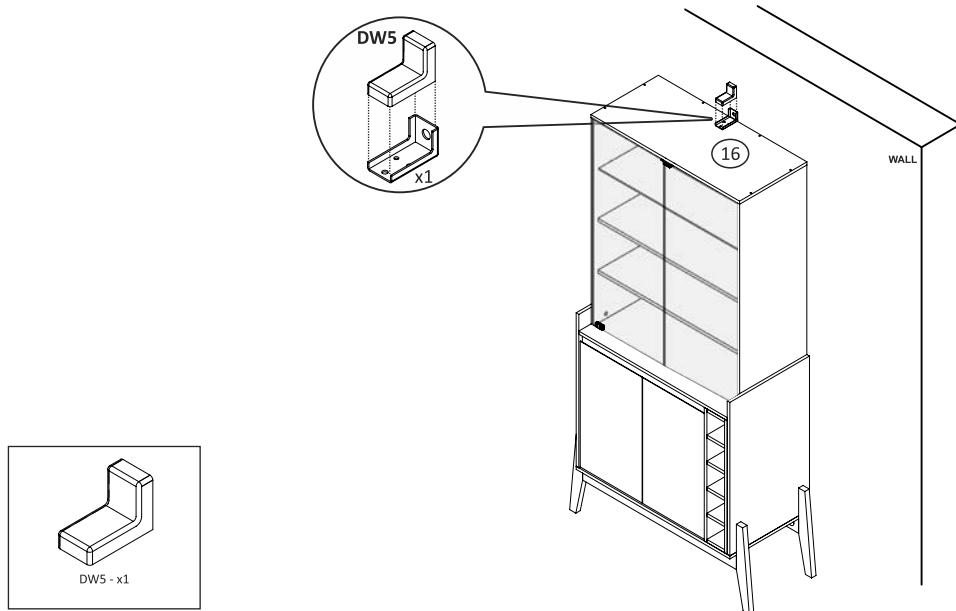
### Step 43

9. Put the glass-door cabinet to the wall and aligning the hole in the safety block with the hole that was made the drywall. Done so, insert the screw up to its maximum limit on.



### Step 44

10. Put the cover of corner (DW5) on the corner (DW4).



# Safe and Security

## KIT FOR MASONRY

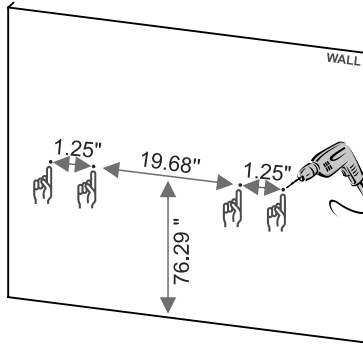
### Step 45

1. Make holes on the wall following the model below and specifications:

- $\varnothing$  8mm (5/16") drill.
- $\nabla$  Depth of 50mm (1.96").

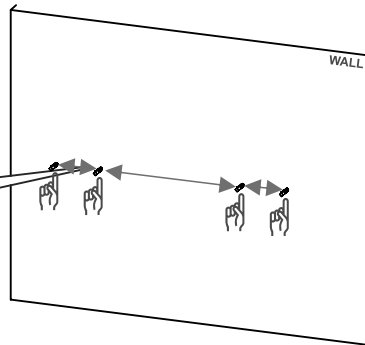
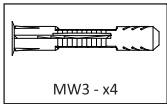
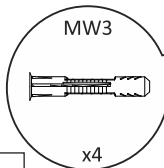


Use an electric drill.



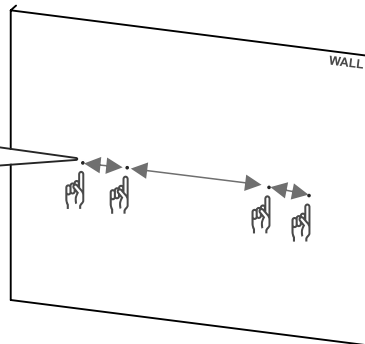
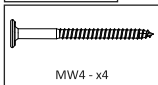
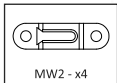
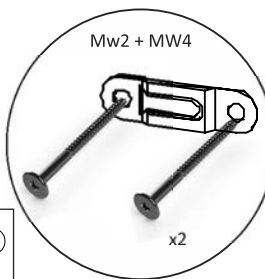
### Step 46

2. Insert the bushing into the hole made on the wall.



### Step 47

3. Put the screws into the bushings.



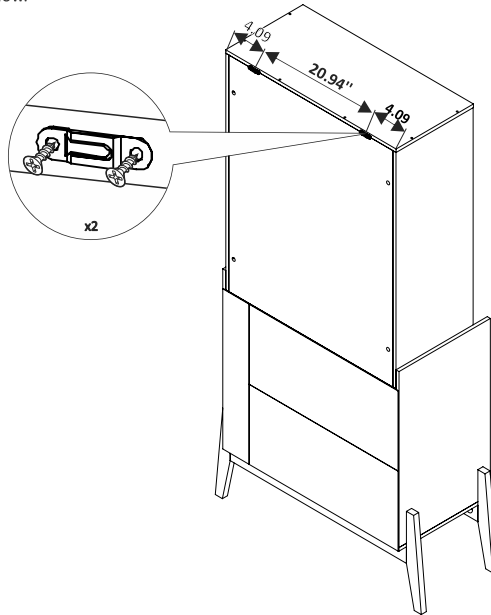
## Safe and Security

### Step 48

4. Put the lockes on the horizontal as the pictures below.



Check the distance between wall's holes.  
It must be the same distance between centers  
of dresser's device.

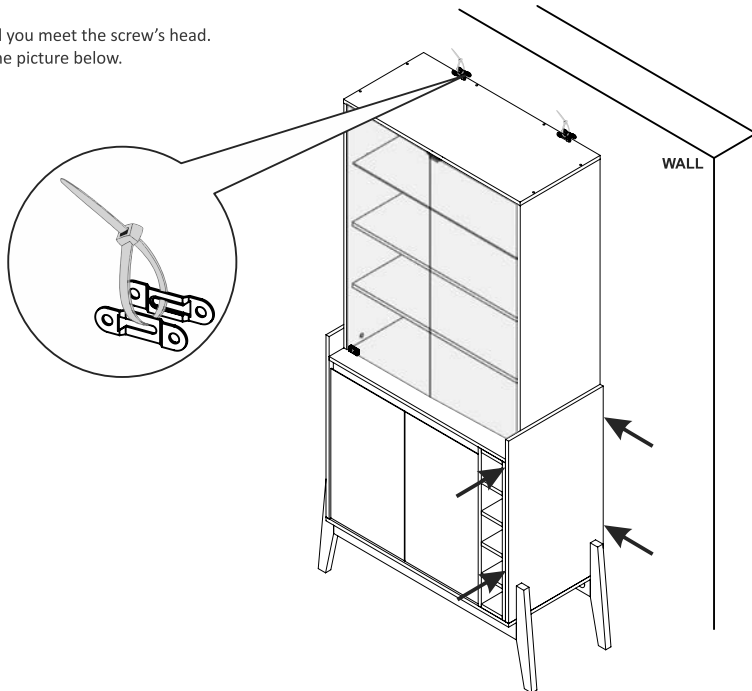


### Step 49

5. Drag the dresser carefully until you meet the screw's head.  
Fit the screw into the locker as the picture below.



Insert the seal as the  
picture below



## TAKING GOOD CARE OF YOUR FURNITURE

Cleaning and caring instructions:

- Wipe the wood furniture down with a moist cloth to properly clean the furniture.
- Do not forget to dry your furniture out. Humidity can damage the finish or create mould.
- Chemical products are not recommended;
- Never clean the furniture with scouring powders, steel scrubber pads or any other product which can scratch its
- Furniture surfaces should not be covered with colored plastic or paper sheets.
- Avoid dragging objects on top of the furniture. They might scratch the finishing.
- Wood furniture are made of mould and termites resistant materials, however, it is recommended to use termiticides  
in infested places before installing the furniture.
- Avoid furniture exposure to direct Sun light. Drapers suggested.