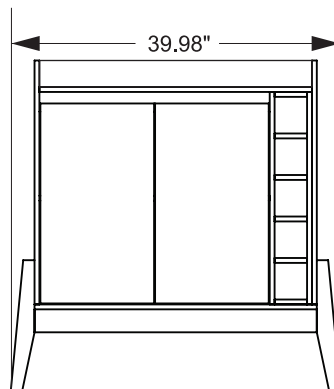
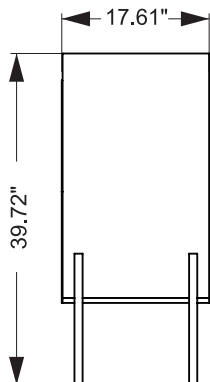


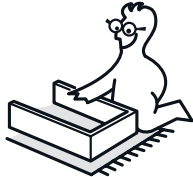
MANHATTAN  
COMFORT

**Essence Sideboard**

Model # 350904, 350905

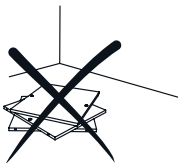


Cód.: 37453 - 14/05/2018



#### For Best Results

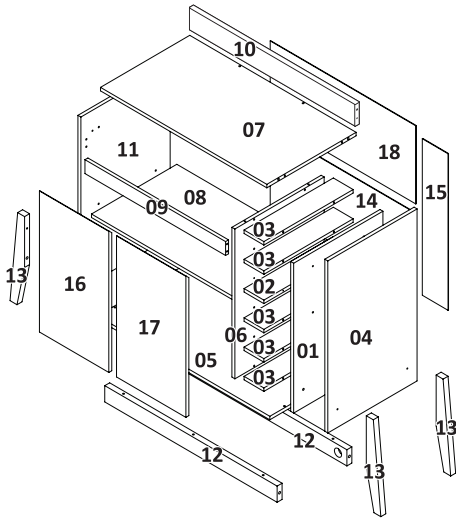
- Do not throw away packaging materials until assembly is complete.
- Assemble item on a soft surface, such as cardboard or carpet, to protect finish.
- Proper assembly requires two people.



#### Tools Required



## Included in this Package



01	RIGHT DIVISION	x1
02	SCREWED SHELF OF CELLAR	x1
03	SHELF WITH WOODEN DOWEL OF CELLAR	x5
04	RIGHT SIDE	x1
05	LOWER TOP	x1
06	LEFT DIVISION OF THE CELLAR	x1
07	UPPER TOP	x1
08	SHELF	x1
09	FRONT BACKSTOP	x1
10	TOP UPPER FRAME	x1
11	LEFT SIDE	x1
12	BATTEN OF FEET	x2
13	FEET	x4
14	LOWER BACK	x1
15	CELLAR BACK	x1
16	LEFT DOOR	x2
17	RIGHT DOOR	x1
18	UPPER BACK	x1
19	FITTINGS	x1

## 19 Fittings

 A - CIRCULAR PAD x4	 B - MINIFIX SCREW x6	 C - 15MM CONNECTOR x6	 D - 21MM SCREW COVER (MINIFIX) x8	 E - 6X30MM WOODEN DOWEL x36	 F - 10X10 NAIL x32
 G - WHITE GLUE x1	 H - WRENCH x1	 I - 7X50 SCREW x2	 J - SUPPORT PIECE FOR SIX SIDES NUT x4	 K - SCREW NUT SIX SIDES x4	 L - 3,5X14MM SCREW x16
 M - 7X80MM SCREW x6		 N - THREADED BAR x4		 O - ALLEN WRENCH x1	
 P - 5X40MM SCREW x6	 Q - 12MM DOOR WING x4	 R - 26MM FRAME WING x4	 S - ANGLE BRACKET x1	 T - 3,5X12MM SCREW x4	 U - 3,5X25MM SCREW x2
 V - FIXER FOR BACK x12	 W - 7X40 SCREW x8		 X - 13MM SCREW COVER x2		

## Where to find the items

Box 01			
01	06	11	16
02	07	12	17
03	08	13	18
04	09	14	
05	10	15	

Assembly time: 120 min

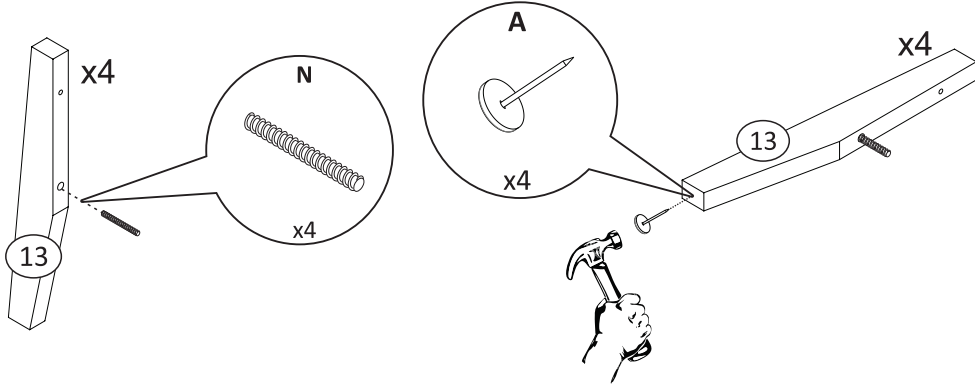
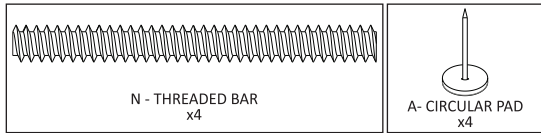
Tip of the number of people required for product assembly



# Prepare the pieces

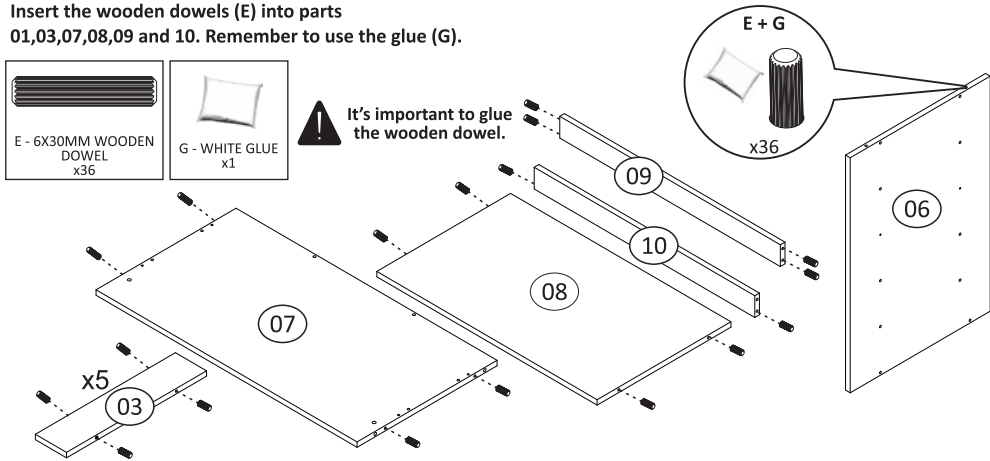
## Step 1

Insert four threaded bar (N) on the sides of the feet (13).  
Then, insert four nails for circular pads (A) under the feet (13), using a hammer.



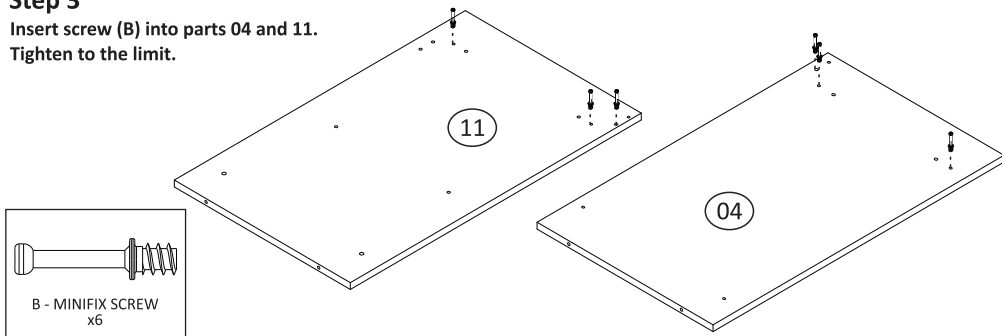
## Step 2

Insert the wooden dowels (E) into parts 01,03,07,08,09 and 10. Remember to use the glue (G).



## Step 3

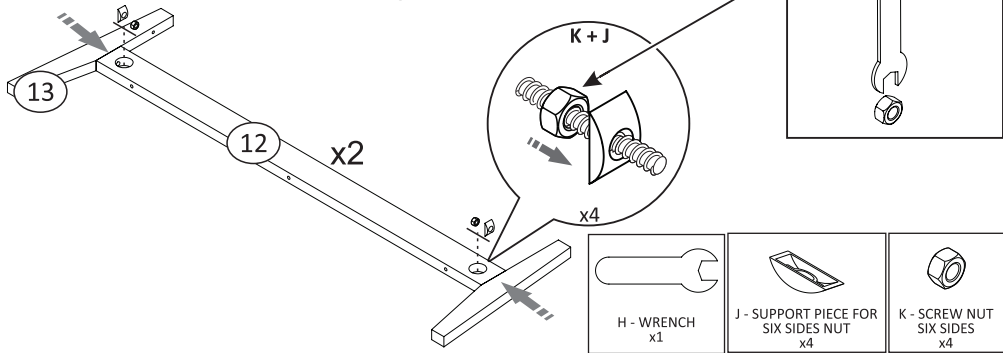
Insert screw (B) into parts 04 and 11.  
Tighten to the limit.



## Prepare the pieces

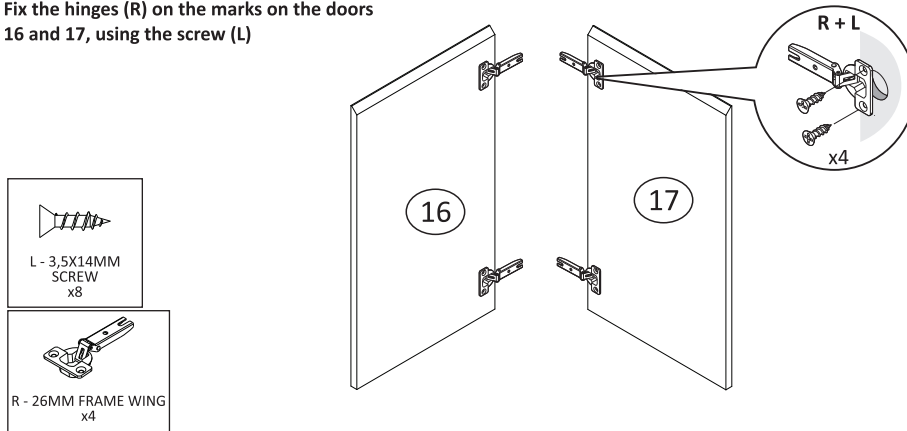
### Step 4

Fix the feet (13) to the crossbars (12) using the screw nut six sides (K) and the support piece for six sides nut (J), as shown in the drawing.



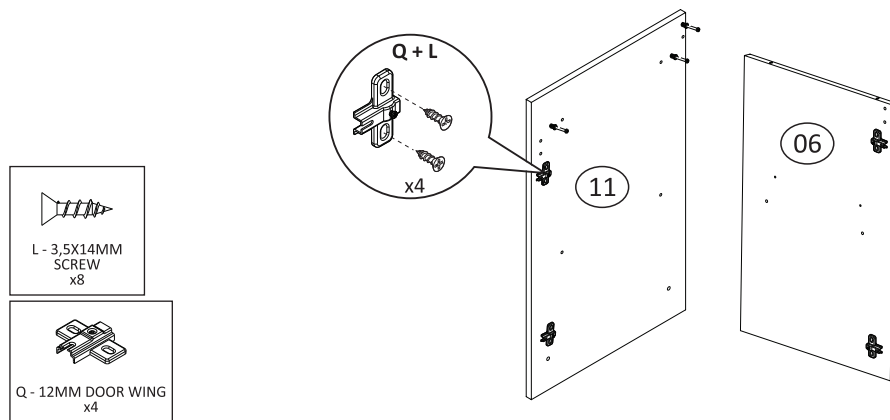
### Step 5

Fix the hinges (R) on the marks on the doors 16 and 17, using the screw (L)



### Step 6

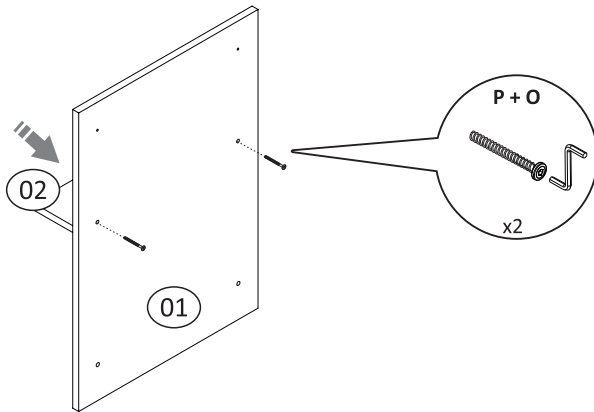
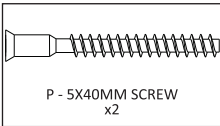
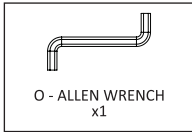
Fix the door wing (Q) on the marks on the parts 11 and 06, using the screw (L).



# Assembly

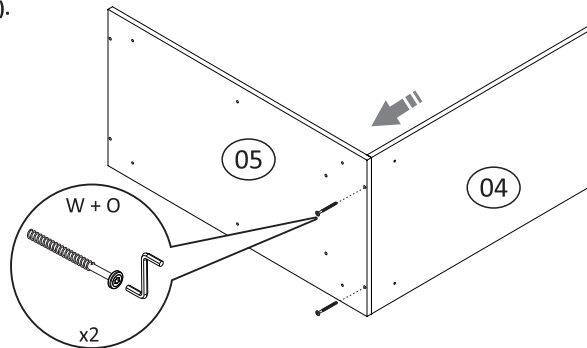
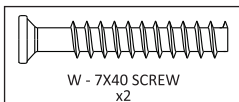
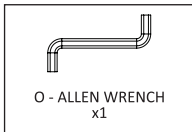
## Step 7

Put the parts 01 and 02 together and use two screws (P) and the Allen wrench (O).



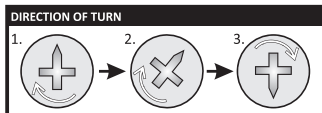
## Step 8

Put the parts 04 and 05 together and use two screws (W) and the Allen wrench (O).

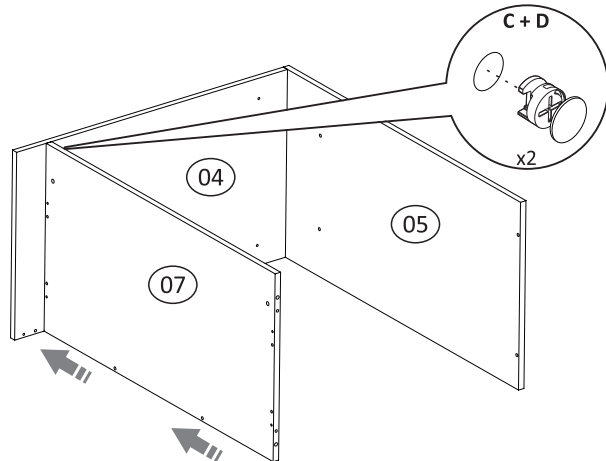
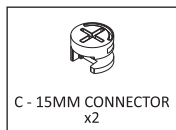


## Step 9

Put part 07 together with part 04 and use two minifix connector (C) and rotate clockwise as shown. Tighten to the limit.



Tighten the minifix up to the limit to assembly don't be slack.



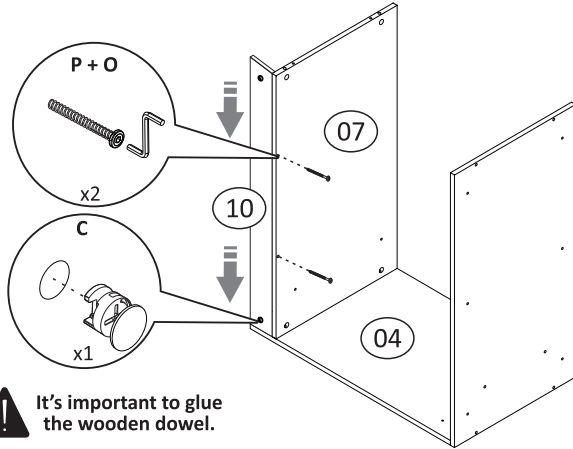
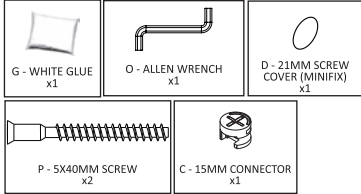
# Assembly

## Step 10

Put the glue (G) in the wooden dowel (E) already fixed into part 10. Then put parts 10 together with part 04.

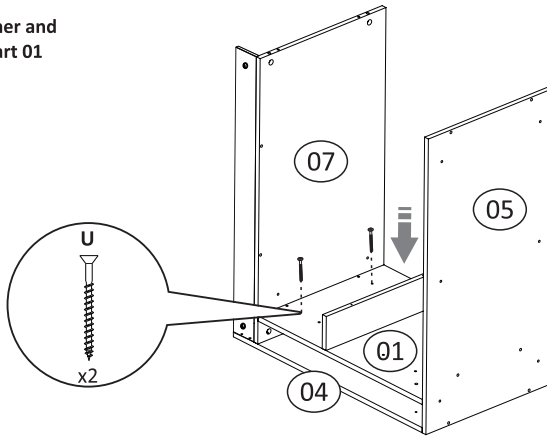
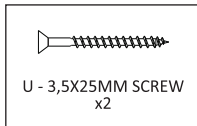
When it is ok,

Use two screws (P) and the Allen wrench (O) through part 07 according to the drawing. Then insert the three minifix connectors (C) in parts 07 and 10 and rotate clockwise as shown. Tighten to the limit.



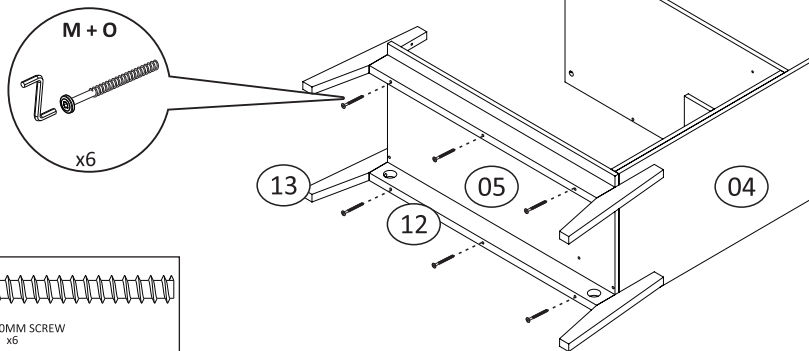
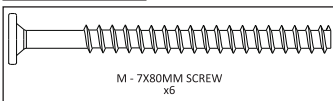
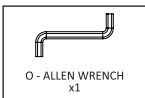
## Step 11

Put the parts 01 and 04 together and use two screws (U) through part 01 according to the drawing.



## Step 12

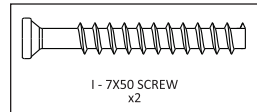
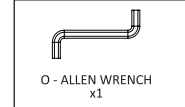
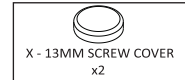
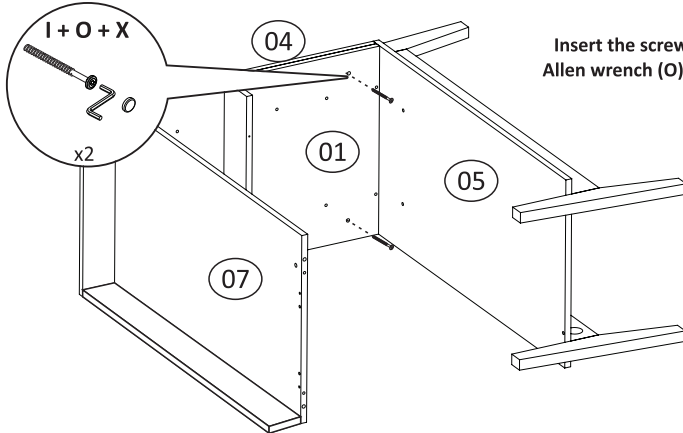
Put feet on part 05 as the drawing. On each batten of feet, use three screws (M) with the Allen wrench (O).



# Assembly

## Step 13

Insert the screw (I) through parts 01 and 04 using the Allen wrench (O). The screw (I) must fix part 01 and 04 on the feet.

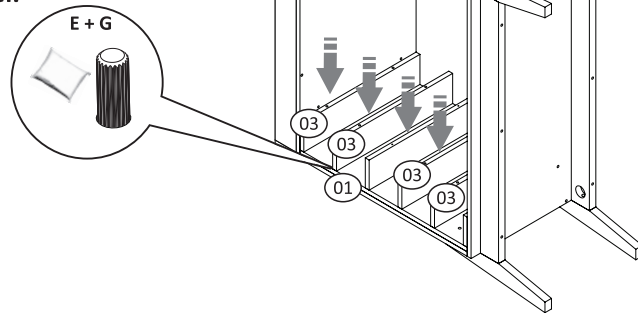


## Step 14

Put the glue (G) in the wooden dowel (E) already fixed into parts 03. Then insert the parts 03 with part 01.

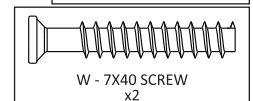
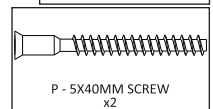
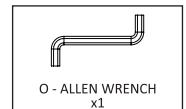
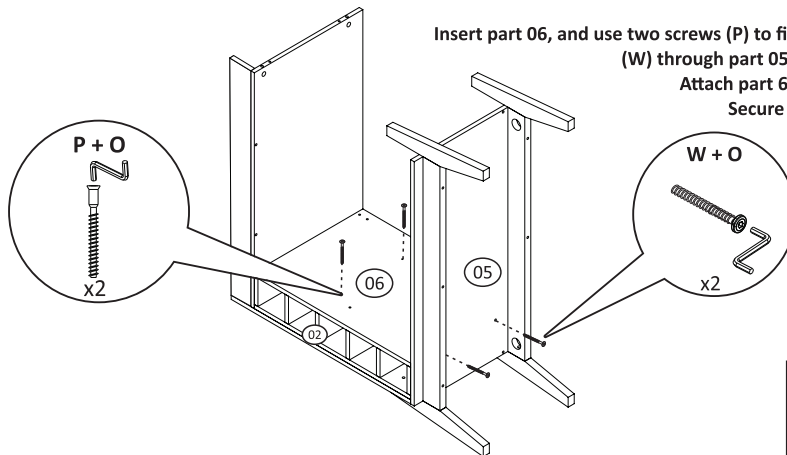


**It's important to glue the wooden dowel.**



## Step 15

Insert part 06, and use two screws (P) to fix on part 02, then insert two (W) through part 05, using the Allen wrench (O). Attach part 6 to part 2 with the screw (P). Secure part 5 and 6 with screw (W).



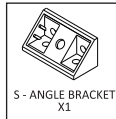
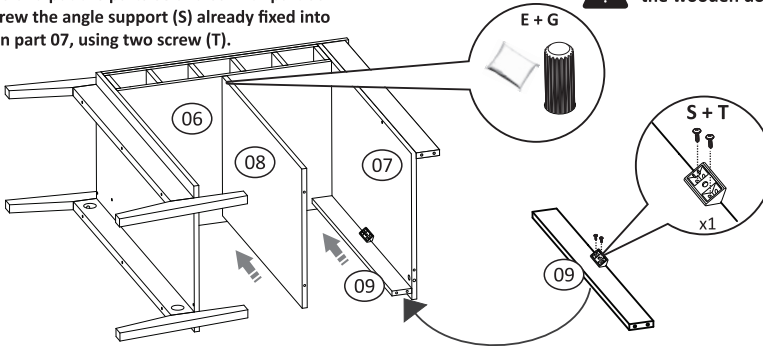


# Assembly

## Step 16

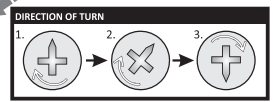
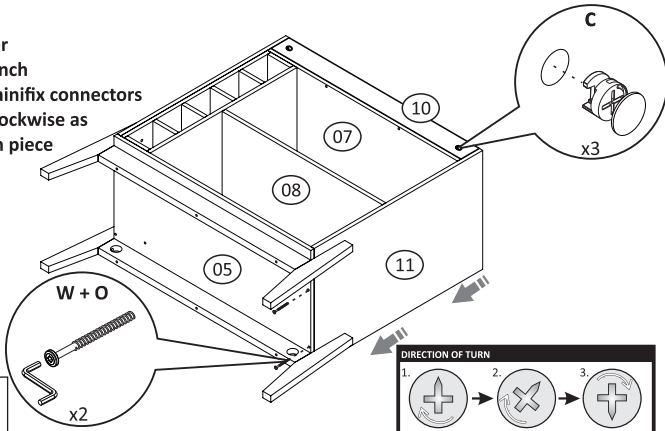
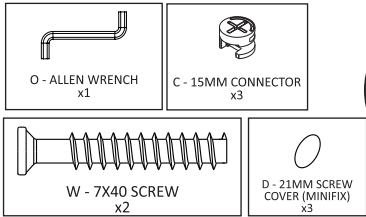
Fix the angle support (S) in part 09, using two screws (T). Then, put the glue (G) in the wooden dowel (E) already fixed into parts 08 and 09 and put the parts 08 and 09 with part 06. Then, screw the angle support (S) already fixed into part 09 in part 07, using two screw (T).

**!** It's important to glue the wooden dowel.



## Step 17

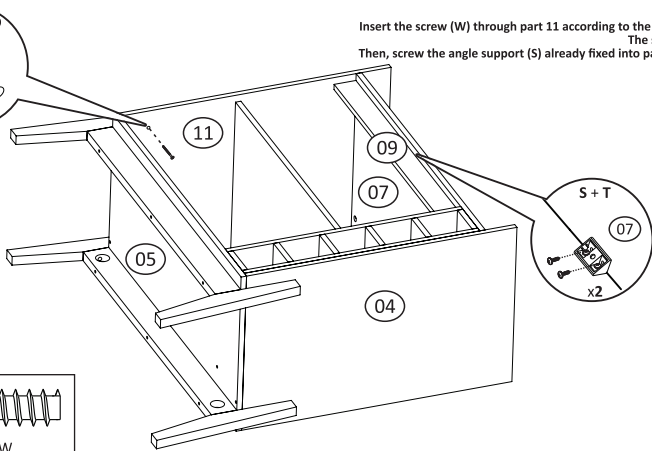
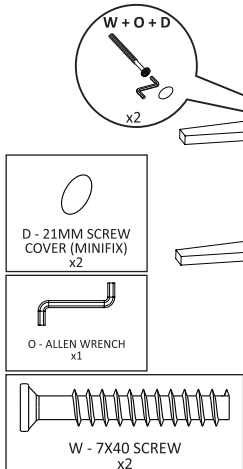
Put the parts 05, 07, 08, 10 and 11 together and use two screws (W) and the Allen wrench (O) through part 05. Then insert the two minifix connectors (C) in parts 07 and one in part 10 rotate clockwise as shown. Tighten to the limit. Snap and align piece 11 on parts 5, 78 and 10. Attach part 5 to the 11 with the screws (W) and the Allen key (O). Fit two minifix drums into part 7 and one into piece 10 and turn to lock.



Tighten the minifix up to the limit to assembly don't be slack.

## Step 18

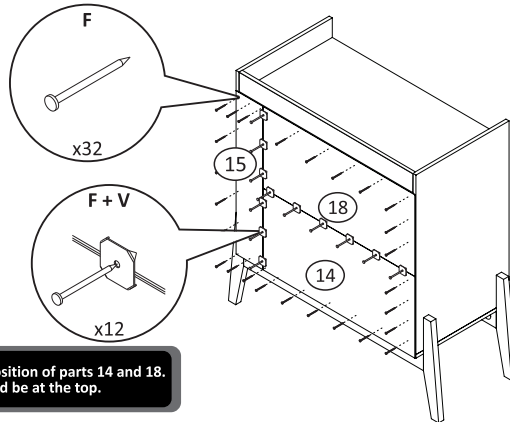
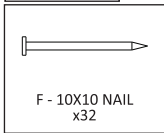
Insert the screw (W) through part 11 according to the drawing, using the Allen wrench (O). The screw (I) must fix part 11 on the feet. Then, screw the angle support (S) already fixed into part 09 in part 07, using two screw (T).



## Assembly

### Step 19

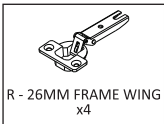
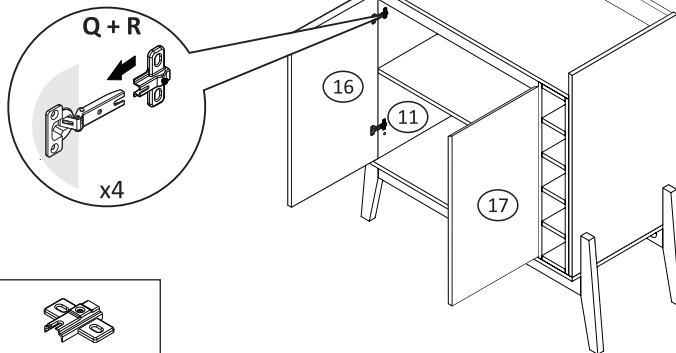
Fix the backs 14, 15 and 18 using the nails (F) and fixer for back wardrobe (V).



**!** Pay attention to the position of parts 14 and 18. Part 18 should be at the top.

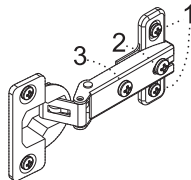
### Step 20

Insert the hinge (R) together in the door wing (Q) for fix the doors 16 and 17 in parts 06 and 11.



To adjust the doors, follow the instructions below:

- 1 - If you need to put the door up or down, unscrew all the screw with number 1, reposition and retight.
- 2 - If you need to push the door to inside or pull it out, loosen the indicated screw with number 2, reposition and retight.
- 3 - If you need to align the doors a bit more to the center, or toward the sides, use a philips wrench to turn the screw (with number 3) until the position the door as you need.

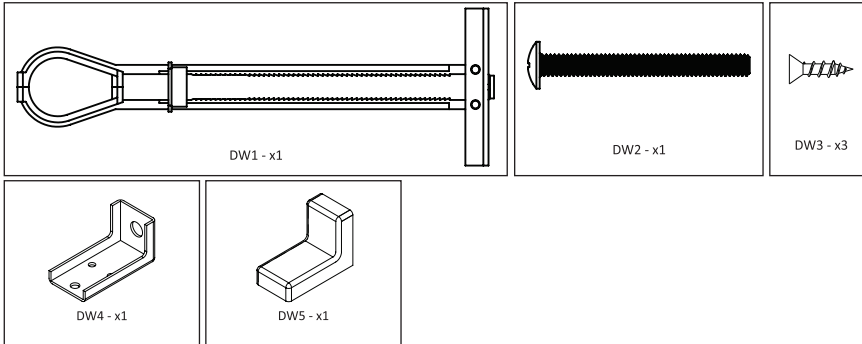


## Safe and Security

### KIT FOR DRYWALL

DW = DRYWALL

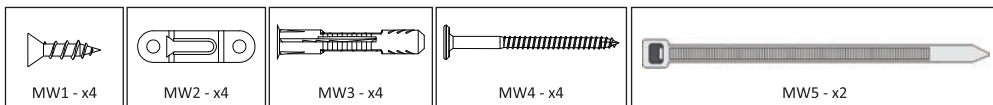
#### Go to Step 21



### KIT FOR MASONRY

MW = MASONRY WALL

#### Go to Step 30



# WARNING



Serious or fatal crushing injuries can occur from furniture tip-over. ALWAYS secure this furniture to the wall using tip-over restraints. To further reduce the risk of serious injury and death from tip-overs:

- Place heaviest items in the lower drawer.
- Do not set TVs or other heavy objects on the top of this product.
- Never allow children to climb or hang on drawers doors or shelves.

**DON'T PULL THE FURNITURE TO CHANGE IT.**  
**INSTEAD OF PULLING, PUSH IT ON THE DIRECTION YOU WANT.**

## Safe and Security

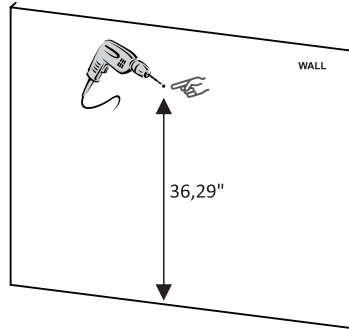
### KIT FOR DRYWALL

#### Step 21

1. Make holes on the wall following the model below and specifications:
  - $\varnothing$  14mm (9/16") drill.
  - $\nabla$  Depth of 60mm (2.36").

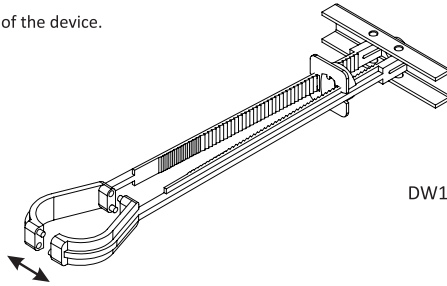


Use an electric drill.



#### Step 22

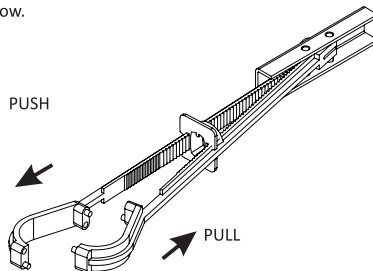
2. Separate the two nylon parts of the device.



DW1 - KIT FOR DRYWALL

#### Step 23

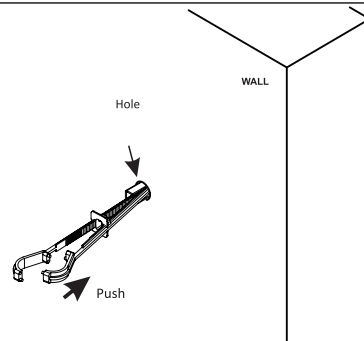
3. Fold the metal part as shown below.



DW1 - KIT FOR DRYWALL

#### Step 24

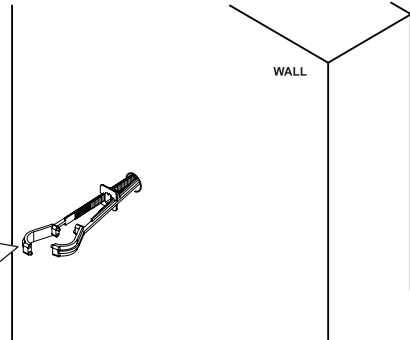
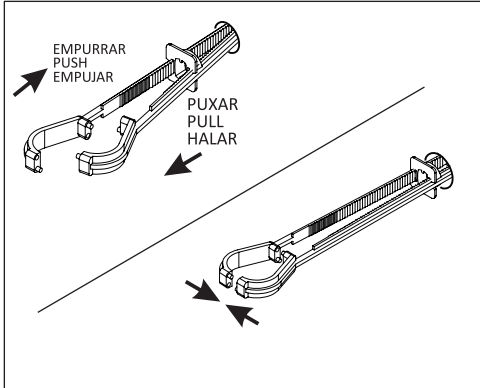
4. Insert the device into the hole made on the drywall.



## Safe and Security

### Step 25

5. As the device inserted into the drywall pull the nylon pieces as below and fitting the two parts.

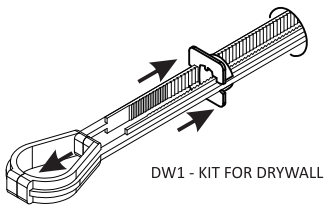


A - KIT PARA DRYWALL | KIT FOR DRYWALL | KIT PARA PANELES

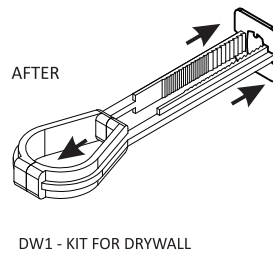
### Step 26

6. Adjust the metal part detached to the hole made on the drywall. For this necessary to pull the handle on the opposite direction.

BEFORE



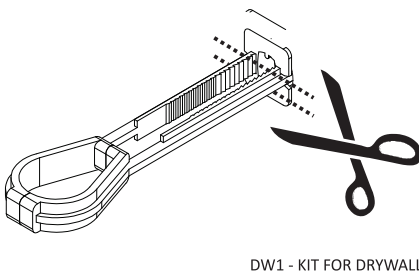
AFTER



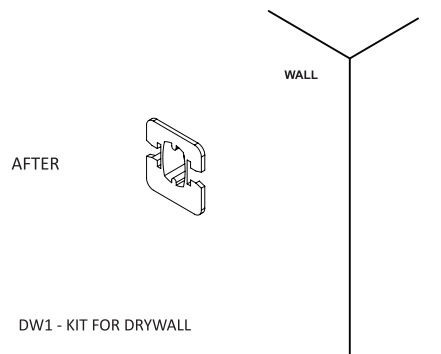
### Step 27

7. Cut the space nylon parts of the device.

BEFORE



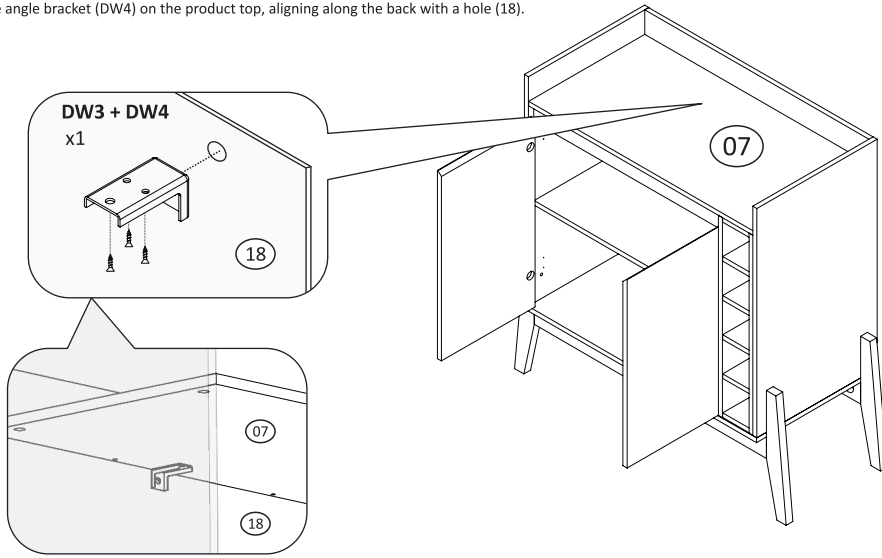
AFTER



## Safe and Security

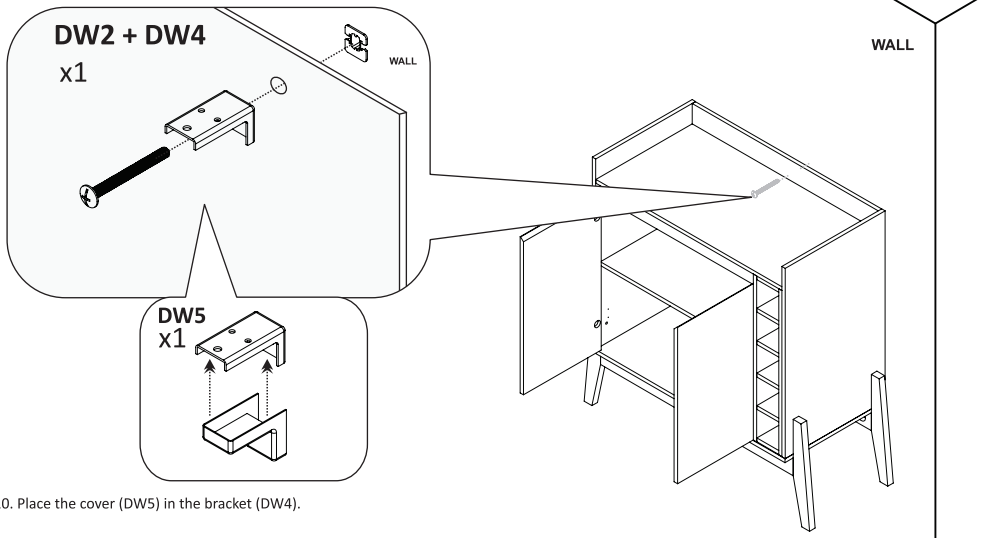
### Step 28

8. Place the angle bracket (DW4) on the product top, aligning along the back with a hole (18).



### Step 29

9. Put the sideboard to the wall and aligning the hole in the safety block with the hole that was made the drywall. Done so, insert the screw up to its maximum limit on.

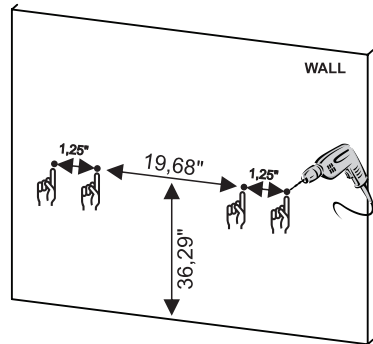


## KIT FOR MASONRY

### Step 30

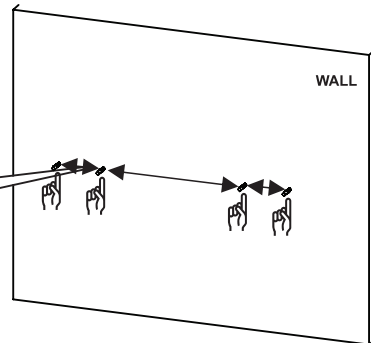
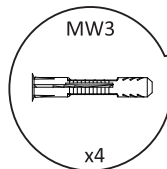
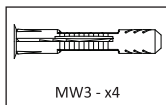
1. Make holes on the wall following the model below and specifications:
  - $\varnothing$  8mm (5/16") drill.
  - $\nabla$  Depth of 50mm (1.96").

  
Use an electric drill.



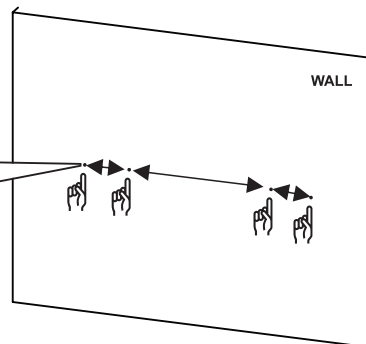
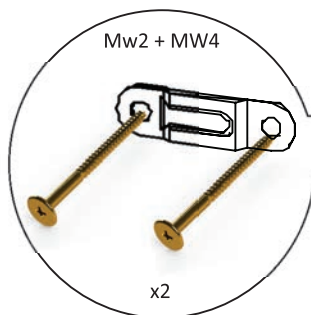
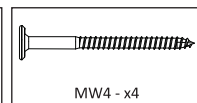
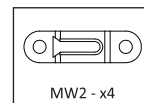
### Step 31

2. Insert the bushing into the hole made on the wall.



### Step 32

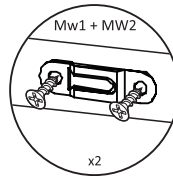
3. Put the screws into the bushings.



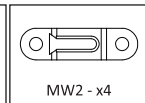
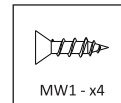
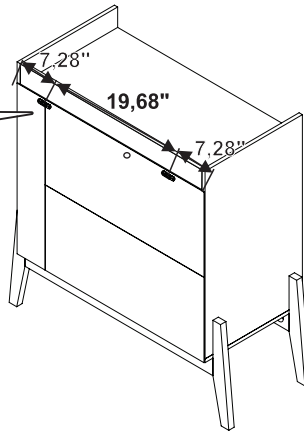
## KIT FOR MASONRY

### Step 33

4. Put the locks on the horizontal as the pictures below.



Check the distance between wall's holes.  
It must be the same distance between centers  
of product's device.

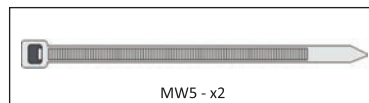
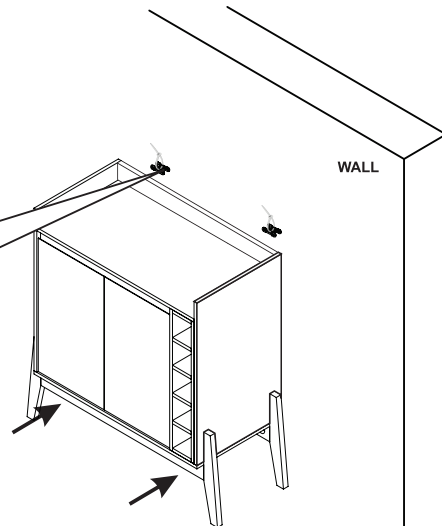
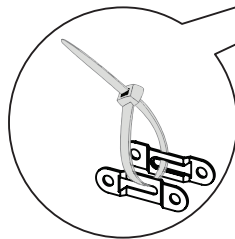


### Step 34

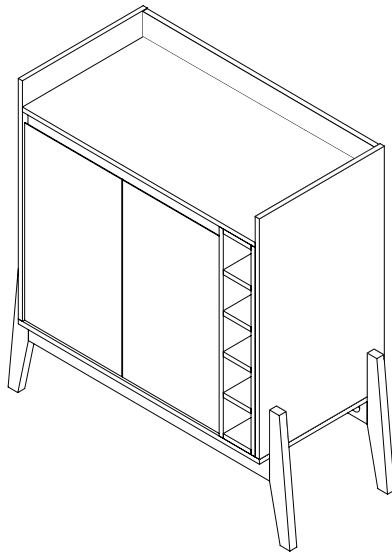
5. Drag the product carefully until you find a lock (MW2) on the other.  
Insert the seal (MW5) through the two latches (Mw2).



Put the two pieces together and insert the seal.







## TAKING GOOD CARE OF YOUR FURNITURE

Cleaning and caring instructions:

- Wipe the wood furniture down with a moist cloth to properly clean the furniture.
- Do not forget to dry your furniture out. Humidity can damage the finish or create mould.
- Chemical products are not recommended;
- Never clean the furniture with scouring powders, steel scrubber pads or any other product which can scratch its
- Furniture surfaces should not be covered with colored plastic or paper sheets.
- Avoid dragging objects on top of the furniture. They might scratch the finishing.
- Wood furniture are made of mould and termites resistant materials, however, it is recommended to use termiticides  
in infested places before installing the furniture.
- Avoid furniture exposure to direct Sun light. Drapers suggested.