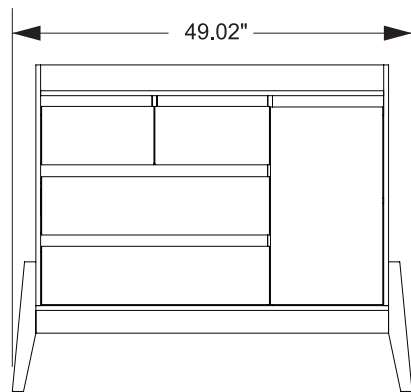
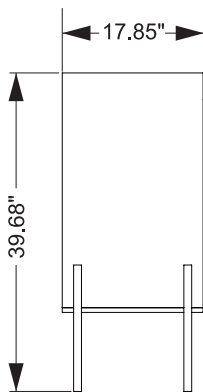


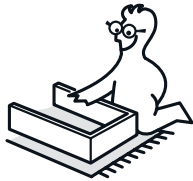
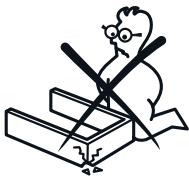
MANHATTAN
COMFORT

Essence Horizontal Dresser

Model # 3507844, 350785

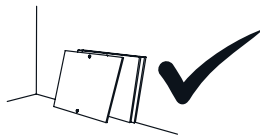
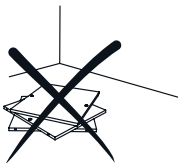


CÓD.: 37450 - 07/05/2018



For Best Results

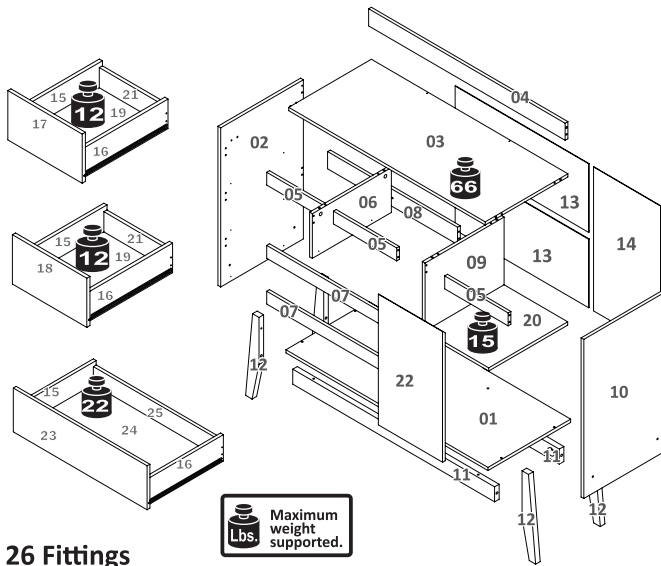
- Do not throw away packaging materials until assembly is complete.
- Assemble item on a soft surface, such as cardboard or carpet, to protect finish.
- Proper assembly requires two people.



Tools Required



Included in this Package



01	LOWER TOP	x1
02	LEFT SIDE	x1
03	UPPER TOP	x1
04	UPPER BATTEN	x1
05	SMALL BACKSTOP	x3
06	SMALL DIVISION	x1
07	UPPER BACKSTOP OF BIG DRAWER	x2
08	SECURITY BATTEN	x1
09	BIG DIVISION	x1
10	RIGHT SIDE	x1
11	BATTEN OF FEET	x2
12	FEET	x4
13	BACK OF DRESSER	x2
14	BACK OF THE DOOR	x1
15	LEFT SIDE OF DRAWER	x4
16	RIGHT SIDE OF DRAWER	x4
17	FRONT OF LEFT DRAWER	x1
18	FRONT OF RIGHT DRAWER	x1
19	SMALL BOTTOM OF THE DRAWER	x2
20	SHELF	x1
21	BACK OF SMALL DRAWER	x2
22	DOOR	x1
23	FRONT OF BIG DRAWERS	x2
24	BOTTOM OF BIG DRAWERS	x2
25	BACK OF BIG DRAWERS	x2
26	FITTINGS	x1



26 Fittings

 A - CIRCULAR PAD x4	 B - MINIFIX SCREW x18	 C - 15MM CONNECTOR x18	 D - 21MM SCREW COVER (MINIFIX) x18	 E - 6X30MM WOODEN DOWEL x50	 F - 10X10 NAIL x45
 G - WHITE GLUE x2	 H - WRENCH x1	 I - 7X40 SCREW x10	 J - SUPPORT PIECE FOR SIX SIDES NUT x4	 K - SCREW NUT SIX SIDES x4	 L - 3,5X14MM SCREW x12
 M - 7X80MM SCREW x6		 N - THREADED BAR x4		 O - ALLEN WRENCH x1	
 P - DRAWER BOTTOM SUPPORT x4	 Q - SHELF SUPPORT x4	 R - 12MM DOOR WING x2	 S - 26MM FRAME WING x2	 T - FIXER FOR BACK WARDROBE x8	 U - 3,5X40MM SCREW x16
					 V - 5X40MM SCREW x2

Where to find the items

Box 01					
01	06	11	16	21	26
02	07	12	17	22	
03	08	13	18	23	
04	09	14	19	24	
05	10	15	20	25	

Assembly time: 140 min

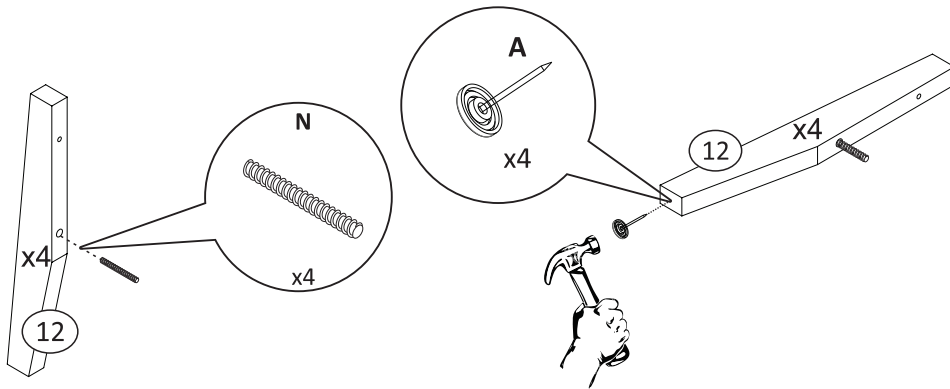
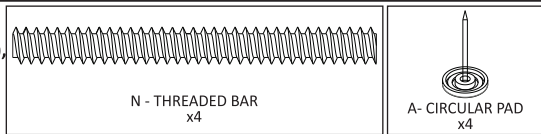
Tip of the number of people required for product assembly



Prepare the pieces

Step 1

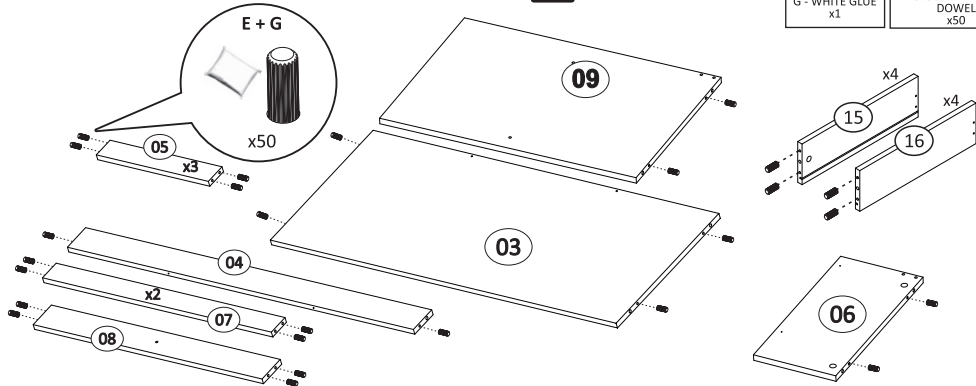
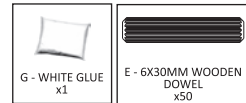
Insert four threaded bar (N) on the sides of the feet (12), then, nail four circular pad (A) below of the feet (12) using a hammer.



Step 2

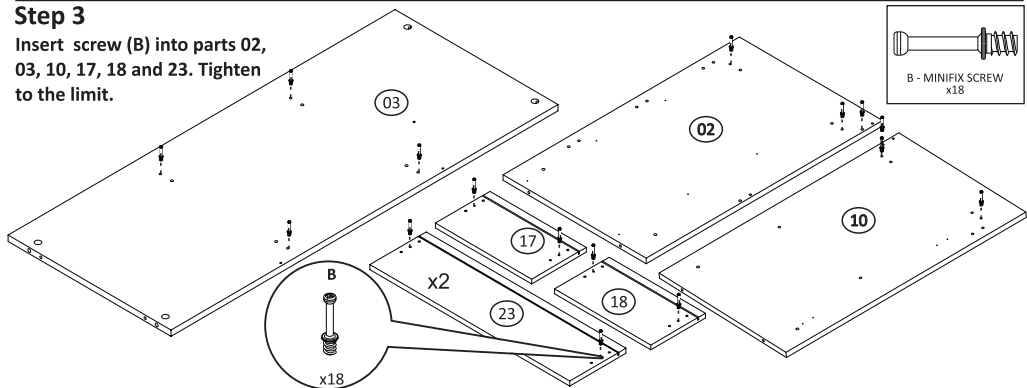
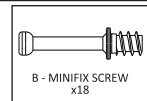
Insert the wooden dowels (E) into parts 03, 04, 05, 06, 07, 08, 09, 15 e 16. Remember to use the glue (G).

! It's important to glue the wooden dowel.



Step 3

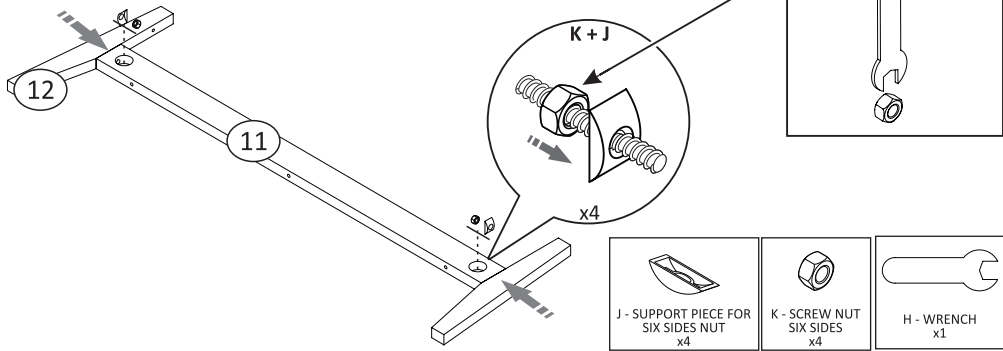
Insert screw (B) into parts 02, 03, 10, 17, 18 and 23. Tighten to the limit.



Assembly

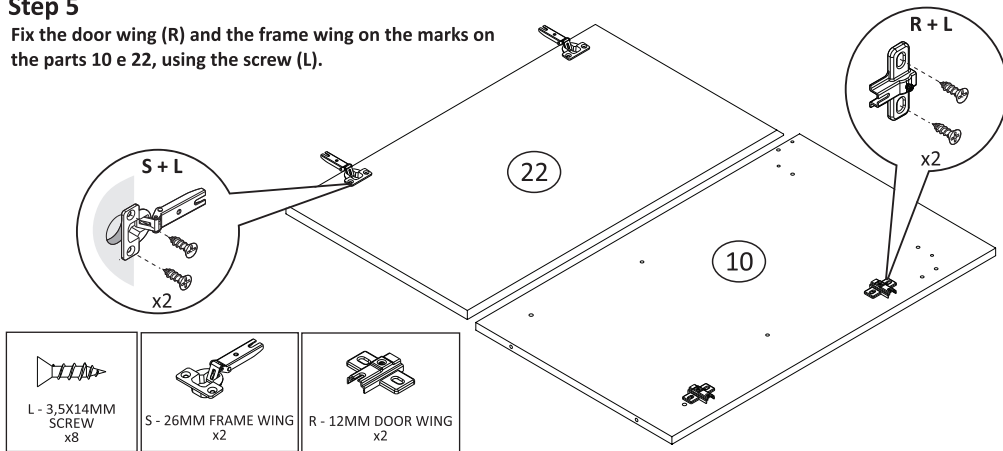
Step 4

Fix the feet (12) to the crossbars (11) using the screw nut six sides (K) and the support piece for six sides nut (J), as shown in the drawing.



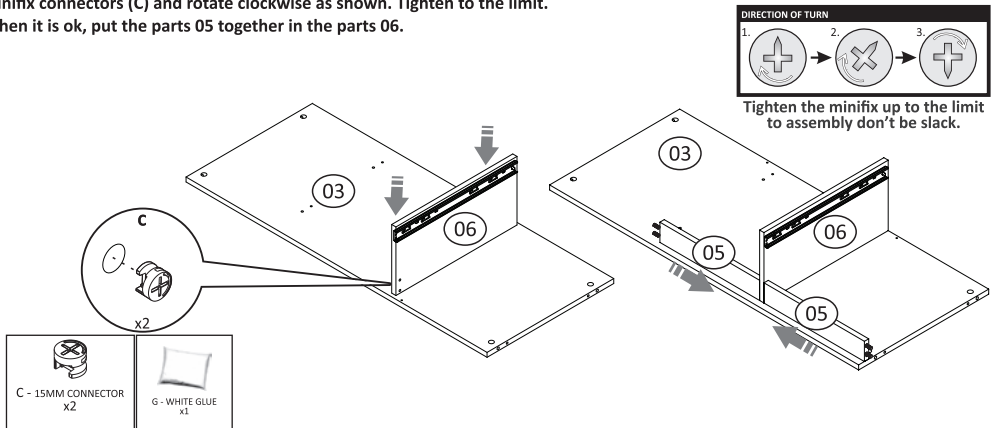
Step 5

Fix the door wing (R) and the frame wing on the marks on the parts 10 e 22, using the screw (L).



Step 6

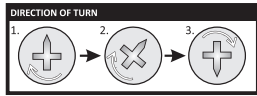
Put the glue (G) in the wooden dowel (E) already fixed into parts 05 and 06. Then put part 06 together with part 03 and use two minifix connectors (C) and rotate clockwise as shown. Tighten to the limit. When it is ok, put the parts 05 together in the parts 06.



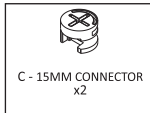
Assembly

Step 7

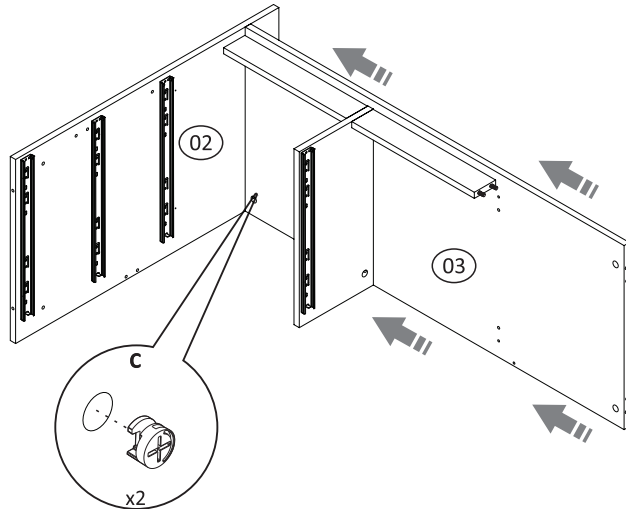
Then put part 03 together with part 02 and use two minifix connector (C) and rotate clockwise as shown. Tighten to the limit.



Tighten the minifix up to the limit to assembly don't be slack.



C - 15MM CONNECTOR
x2



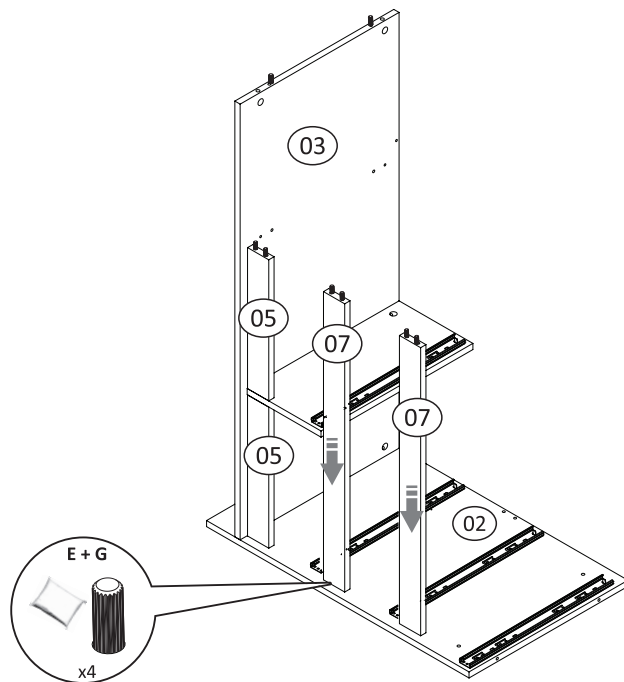
Step 8

Put the glue (G) in the wooden dowel (E) already fixed into parts 07. Then put parts 07 together with part 02.

 It's important to glue the wooden dowel.



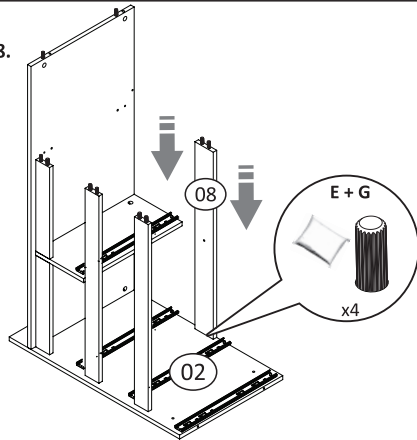
G - WHITE GLUE
x1



Assembly

Step 9

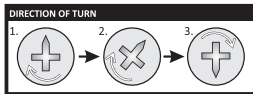
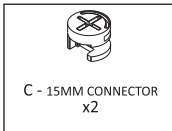
Put the glue (G) in the wooden dowel (E) already fixed into part 08. Then put part 08 with part 02.



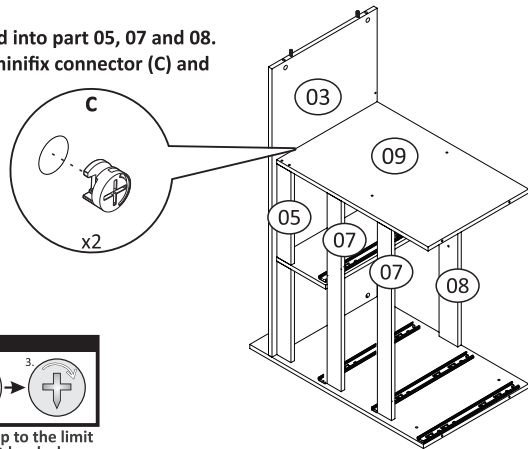
Step 10

Put the glue (G) in the wooden dowel (E) already fixed into part 05, 07 and 08. Then put part 09 together with part 03 and use two minifix connector (C) and rotate clockwise as shown. Tighten to the limit.

! It's important to glue the wooden dowel.

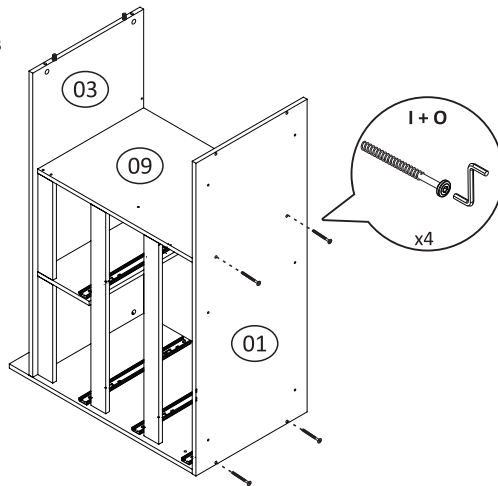
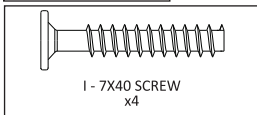
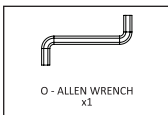


Tighten the minifix up to the limit to assembly don't be slack.



Step 11

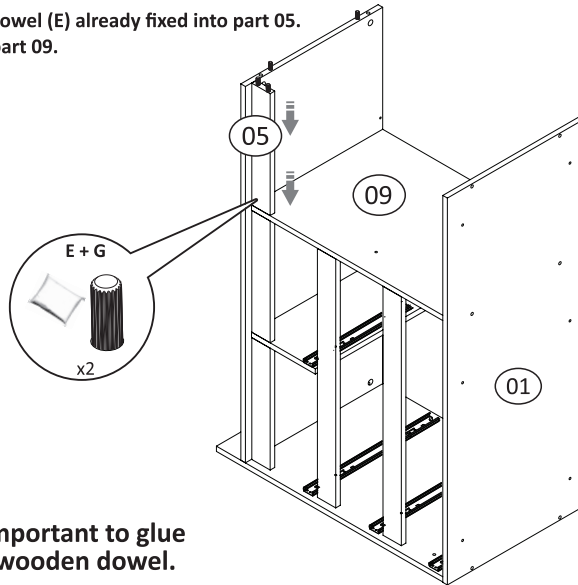
Put the parts 01 and 09 together and use four screws (I) with the Allen wrench (O).



Assembly

Step 12

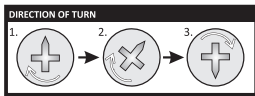
Put the glue (G) in the wooden dowel (E) already fixed into part 05. Then put part 05 together with part 09.



It's important to glue the wooden dowel.

Step 13

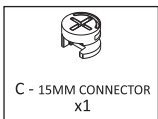
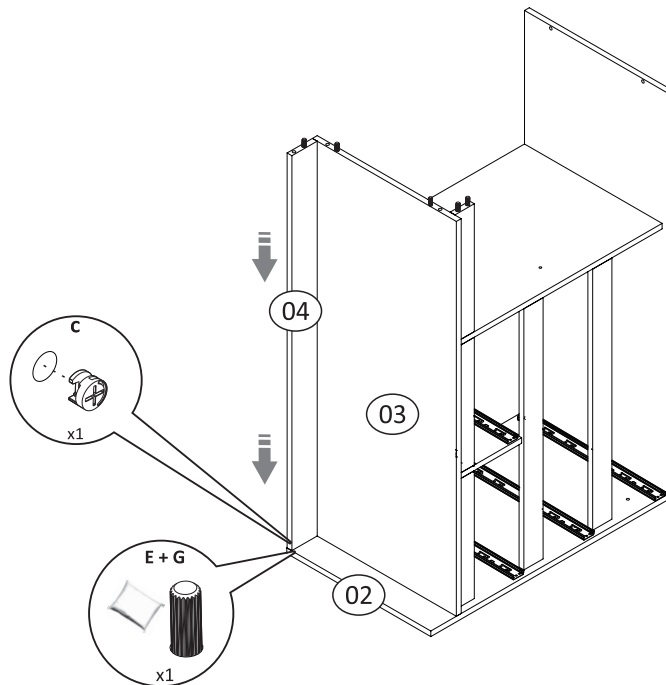
Put the glue (G) in the wooden dowel (E) already fixed into part 04. Then put part 04 together with part 03 and use one minifix connector (C) and rotate clockwise as shown. Tighten to the limit.



Tighten the minifix up to the limit to assembly don't be slack.



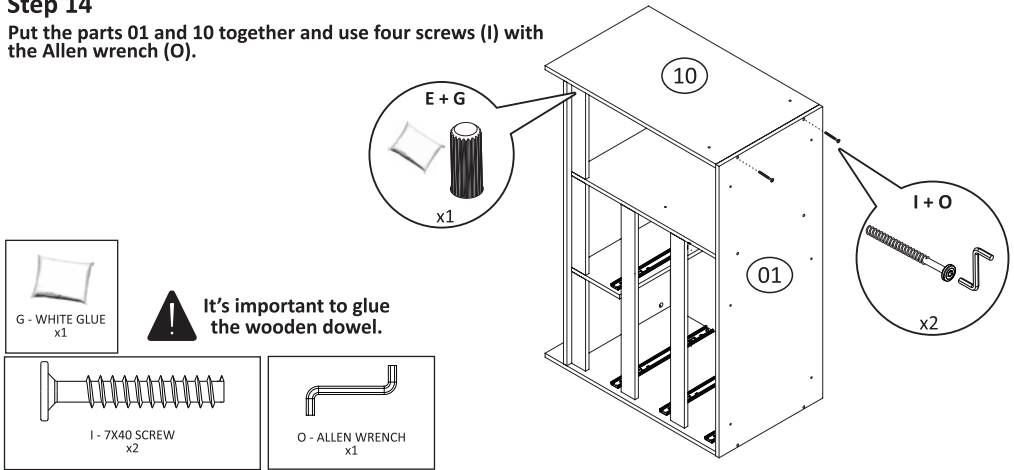
It's important to glue the wooden dowel.



Assembly

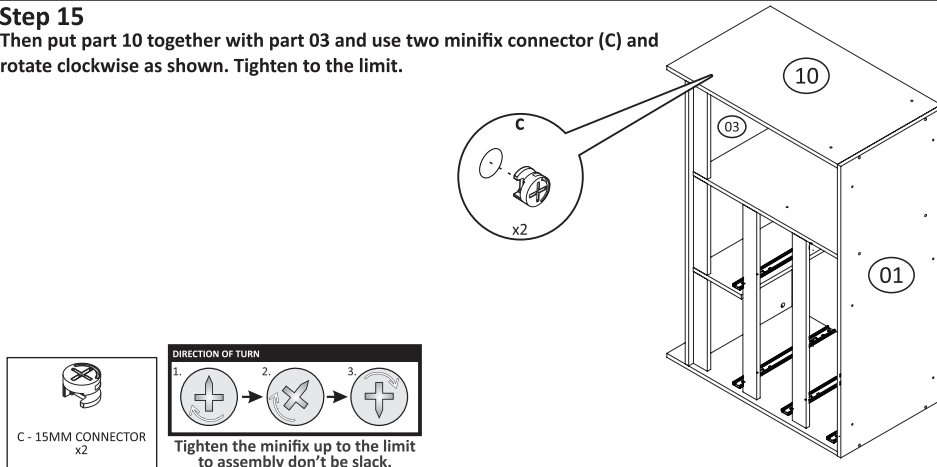
Step 14

Put the parts 01 and 10 together and use four screws (I) with the Allen wrench (O).



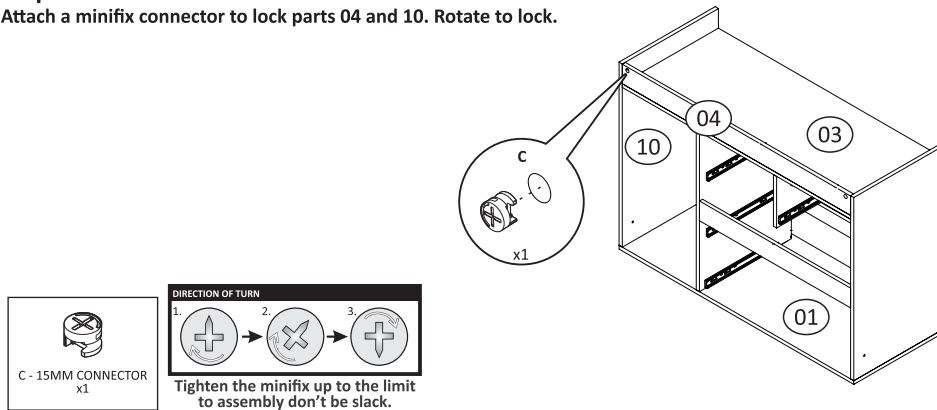
Step 15

Then put part 10 together with part 03 and use two minifix connector (C) and rotate clockwise as shown. Tighten to the limit.



Step 16

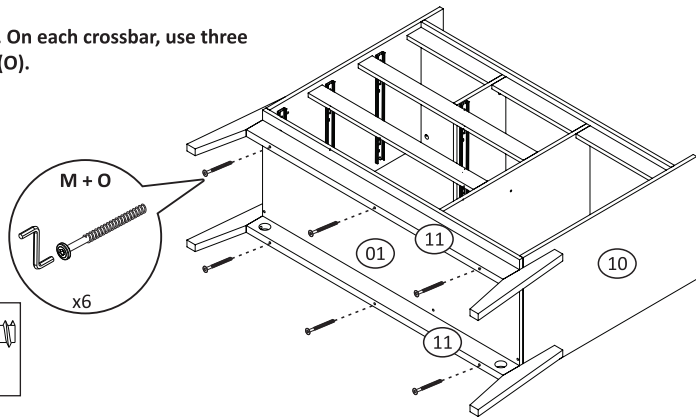
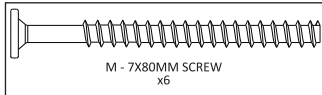
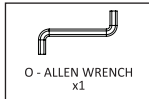
Attach a minifix connector to lock parts 04 and 10. Rotate to lock.



Assembly

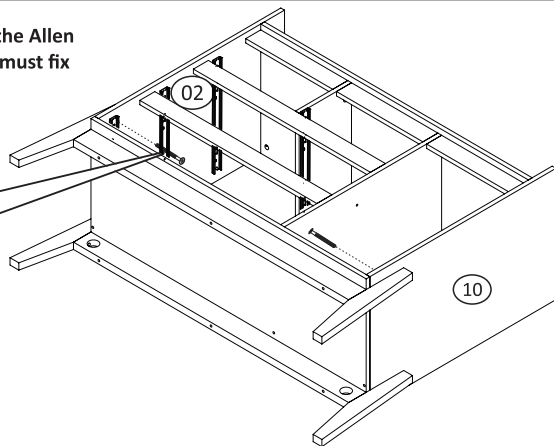
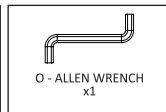
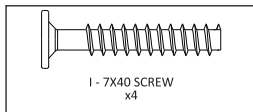
Step 17

Put feet on part 01 as the drawing. On each crossbar, use three screws (M) with the Allen wrench (O).



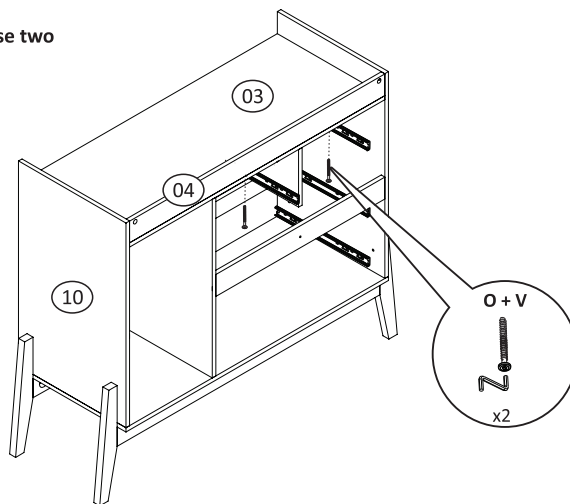
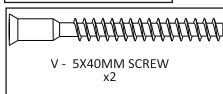
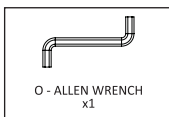
Step 18

Insert four screw (I) through parts 02 and 10 using the Allen wrench (O) according to the drawing. The screw (I) must fix parts 02 and 10 on the feet.



Step 19

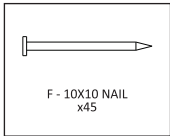
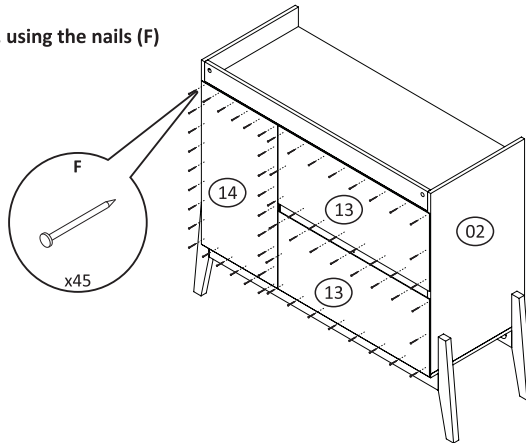
Put the parts 03 and 04 together and use two screws (V) with the Allen wrench (O).



Assembly

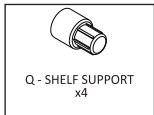
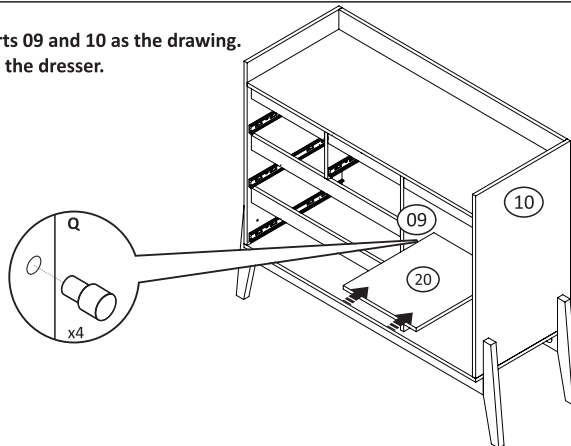
Step 20

Fix the backs 14 and 13 in the Dresser, using the nails (F)



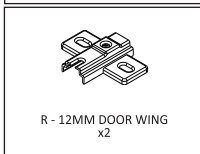
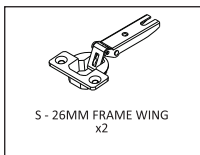
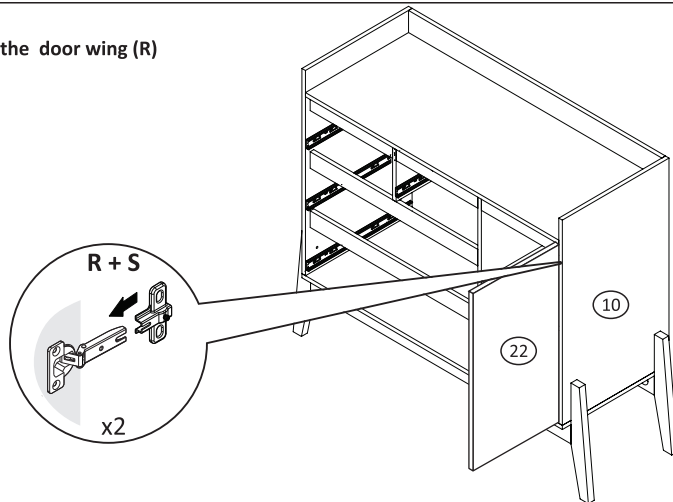
Step 21

Insert four shelf support (Q) in parts 09 and 10 as the drawing. When it is ok, insert the part 20 in the dresser.



Step 22

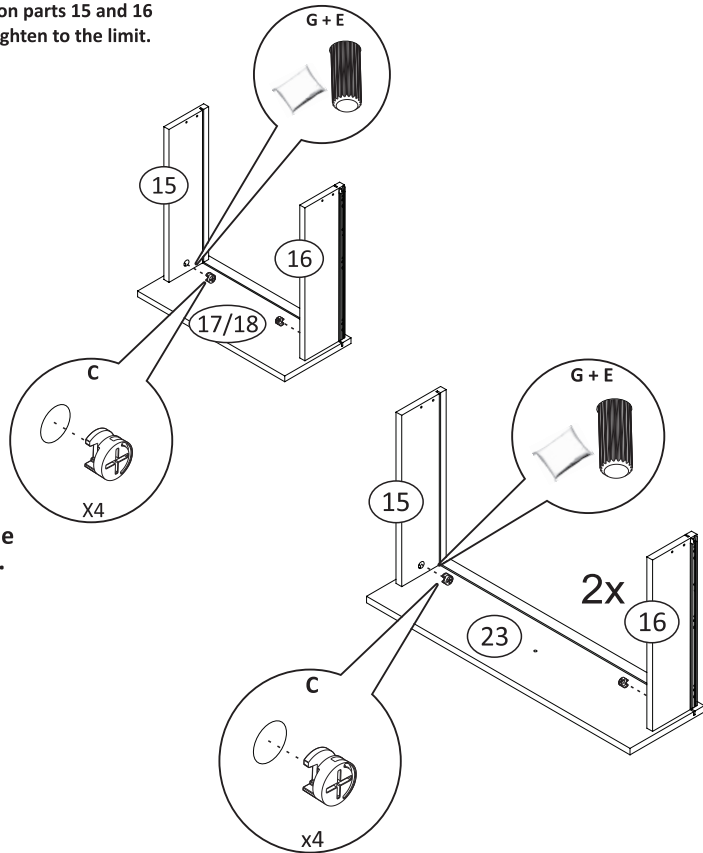
Put the frame wing (S) together in the door wing (R) for fix the door (22) in part 10.



Drawers

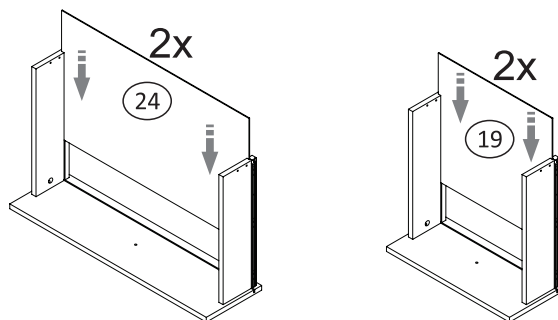
Step 23

Insert two minifix connectors (C) on parts 15 and 16 as shown and rotate clockwise. Tighten to the limit.



Step 24

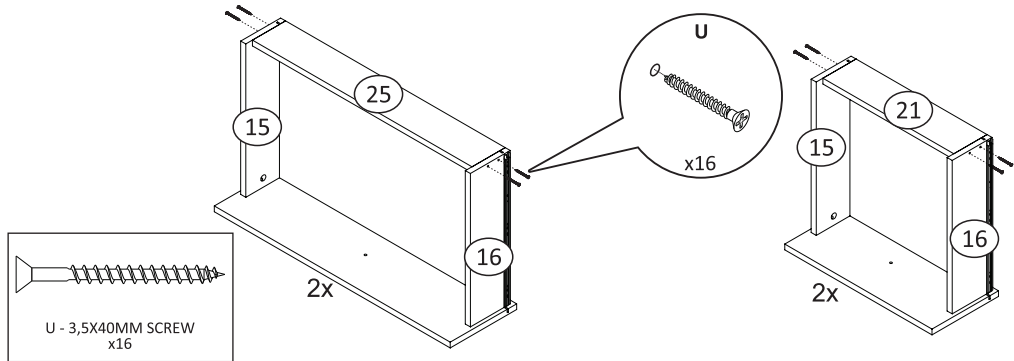
Insert the drawer bottom (24 and 19) into their drawers.



Drawers

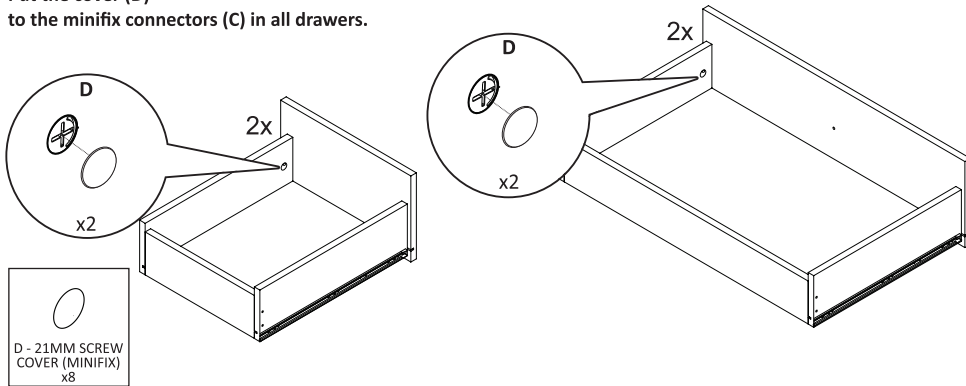
Step 25

Fix parts 15 and 16 to part 21/25 using four screws (Q).



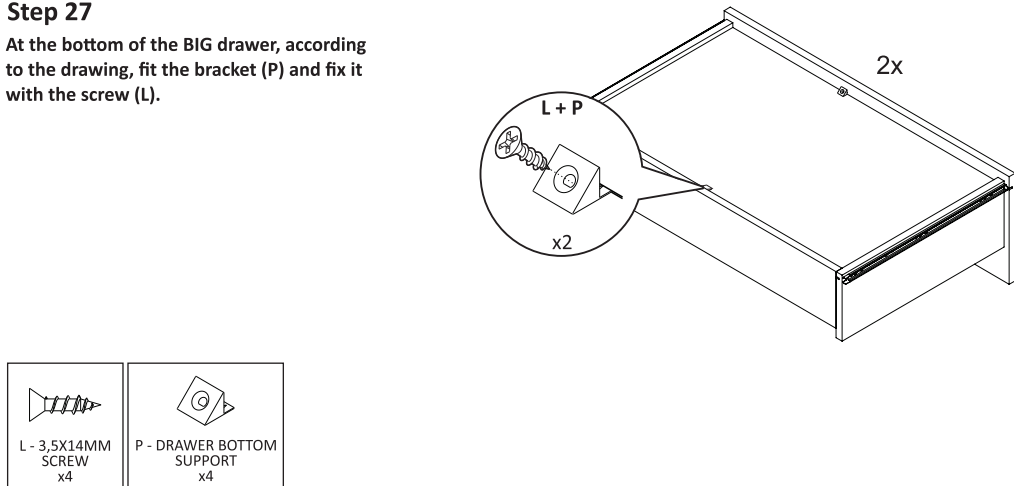
Step 26

Put the cover (D) to the minifix connectors (C) in all drawers.



Step 27

At the bottom of the BIG drawer, according to the drawing, fit the bracket (P) and fix it with the screw (L).



Drawers

Step 28

Inserts the drawers of Horizontal dresser



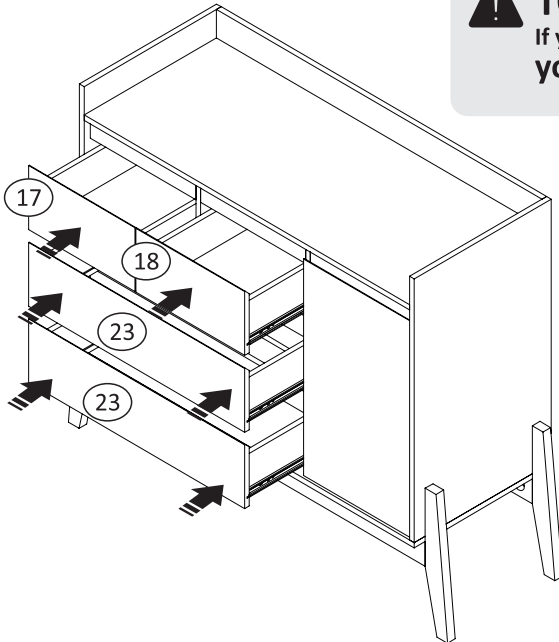
TO DRYWALL

If you fix the dresser on the DRYWALL
don't put the drawers.



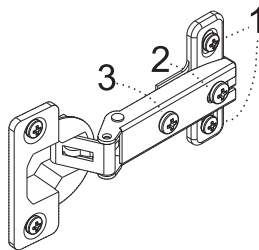
TO MASONRY

If you fix the dresser on the MASONRY WALL
you should put the drawers.



To adjust the doors, follow the instructions below:

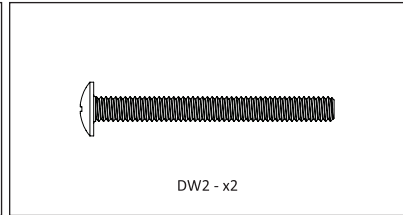
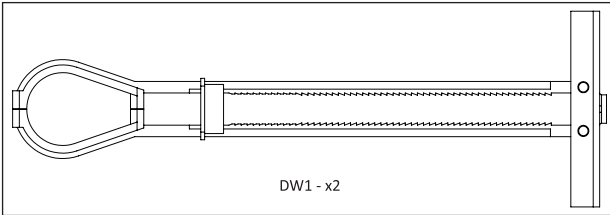
- 1 - If you need to raise or lower the door a little, loosen the screws indicated with number 1, reposition and tighten again.
- 2 - If you need to push the door a little further in or pull it out, loosen the bolt indicated with n° 2, reposition it and tighten again.
- 3 - If you need to align the doors a little further towards the center or towards the sides, use a philips wrench to turn the screw indicated with n° 3 until you position the door the way you want.



Safe and Security

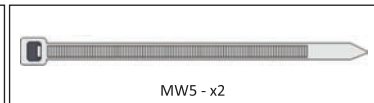
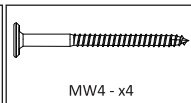
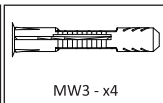
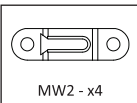
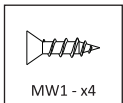
KIT FOR DRYWALL DW = DRYWALL

Go to Step 29



KIT FOR MASONRY MW = MASONRY WALL

Go to Step 37



WARNING



Serious or fatal crushing injuries can occur from furniture tip-over. **ALWAYS** secure this furniture to the wall using tip-over restraints. To further reduce the risk of serious injury and death from tip-overs:

- Place heaviest items in the lower drawer.
- Do not set TVs or other heavy objects on the top of this product.
- Never allow children to climb or hang on drawers doors or shelves.

**DON'T PULL THE FURNITURE TO CHANGE IT.
INSTEAD OF PULLING, PUSH IT ON THE DIRECTION YOU WANT.**

Safe and Security

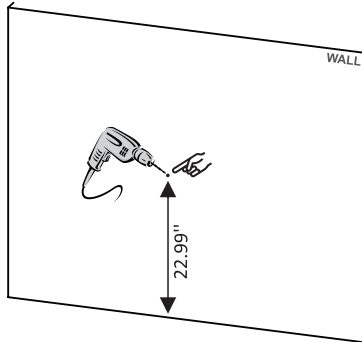
KIT FOR DRYWALL

1. Make holes on the wall following the model below and specifications:

- \varnothing 14mm (9/16") drill.
- ∇ Depth of 60mm (2.36").

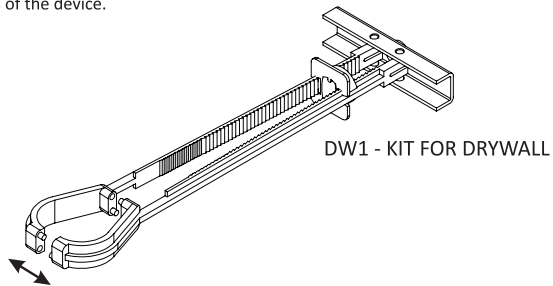
Step 29


Use an electric drill.



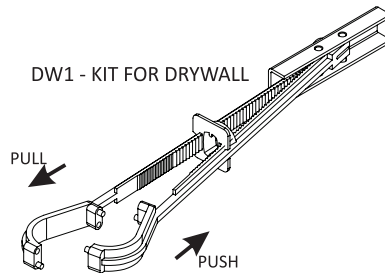
2. Separate the two nylon parts of the device.

Step 30



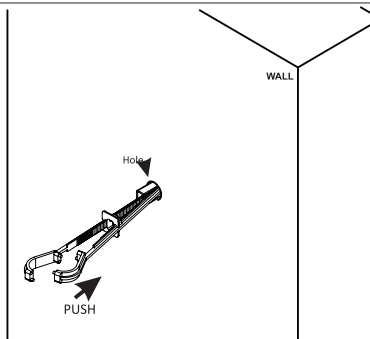
3. Fold the metal part as shown below.

Step 31



4. Insert the device into the hole made on the drywall.

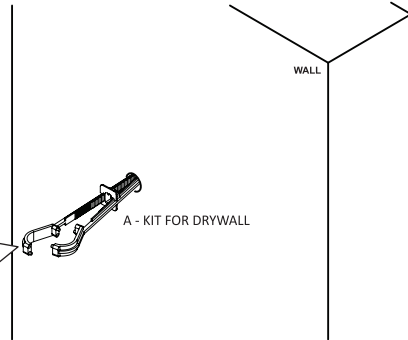
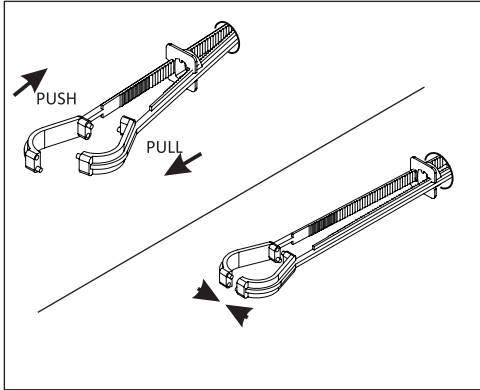
Step 32



Safe and Security

5. As the device inserted into the drywall pull the nylon pieces as below and fitting the two parts.

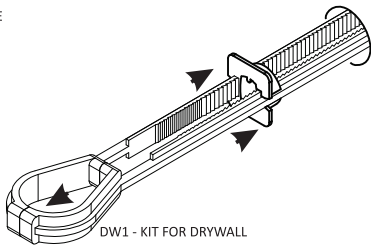
Step 33



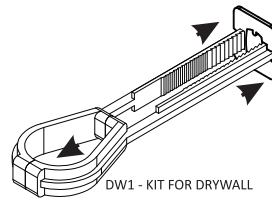
6. Adjust the metal part detached to the hole made on the drywall. For this necessary to pull the handle on the opposite direction.

Step 34

BEFORE

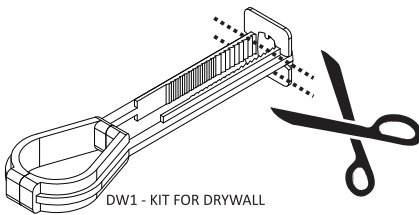


AFTER

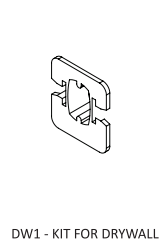


7. Cut the space nylon parts of the device.

BEFORE



AFTER

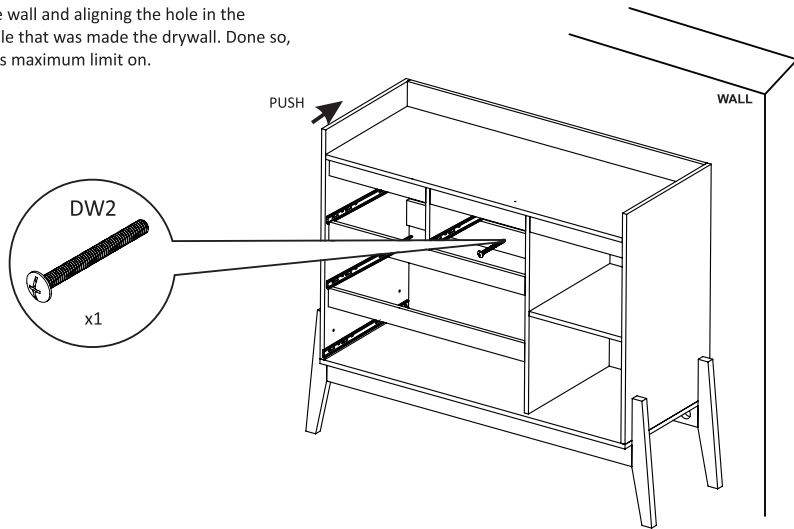


Step 35

Safe and Security

Step 36

8. Put the dresser to the wall and aligning the hole in the safety block with the hole that was made the drywall. Done so, insert the screw up to its maximum limit on.



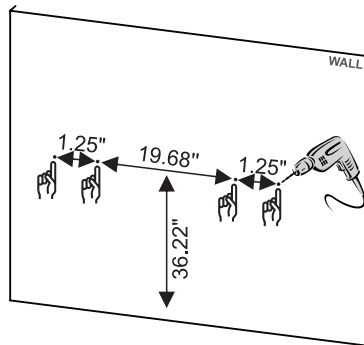
KIT FOR MASONRY

1. Make holes on the wall following the model below and specifications:

- Ø 8mm (5/16") drill.
- ▾ Depth of 50mm (1.96").

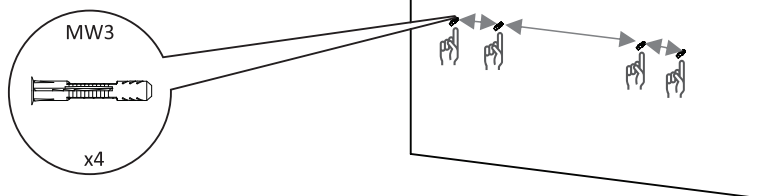
Step 37


Use an electric drill.



2. Insert the bushing into the hole made on the wall.

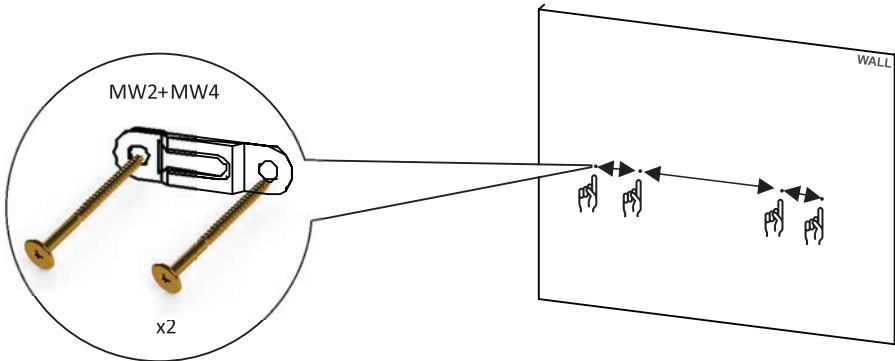
Step 38



Safe and Security

3. Put the screws into the bushings, but don't tighten until the end. It's necessary 0.39" (10mm) left to fit on the lock.

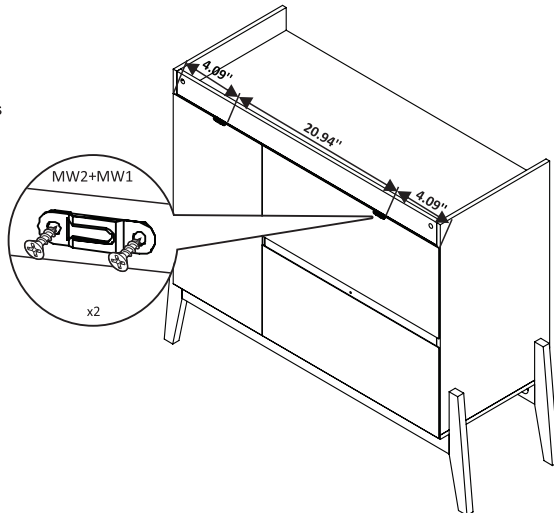
Step 39



4. Put the lock on the horizontal as the pictures below.


Step 40

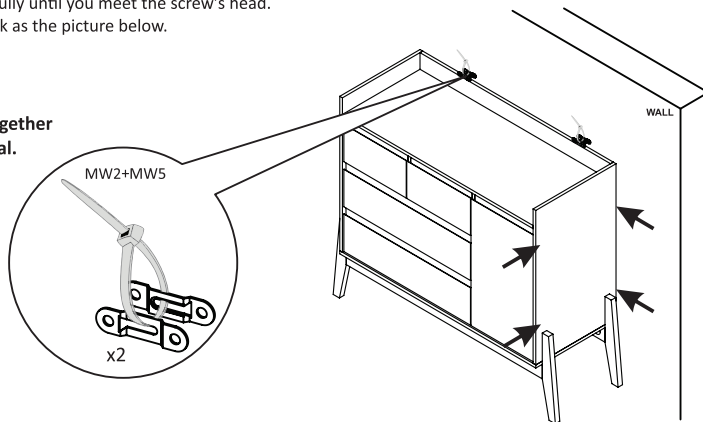

Check the distance between wall's holes.
It must be the same distance between centers
of dresser's device.



5. Drag the dresser carefully until you meet the screw's head. Fit the screw into the lock as the picture below.

Step 41


Put the two pieces together
and insert the seal.



TAKING GOOD CARE OF YOUR FURNITURE

Cleaning and caring instructions:

- Wipe the wood furniture down with a moist cloth to properly clean the furniture.
- Do not forget to dry your furniture out. Humidity can damage the finish or create mould.
- Chemical products are not recommended;
- Never clean the furniture with scouring powders, steel scrubber pads or any other product which can scratch its
- Furniture surfaces should not be covered with colored plastic or paper sheets.
- Avoid dragging objects on top of the furniture. They might scratch the finishing.
- Wood furniture are made of mould and termites resistant materials, however, it is recommended to use termiticides
in infested places before installing the furniture.
- Avoid furniture exposure to direct Sun light. Drapers suggested.