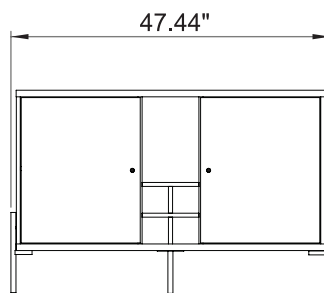
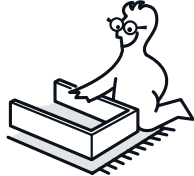


MANHATTAN
COMFORT

Joy Sideboard

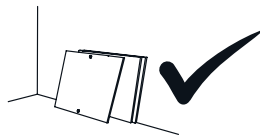
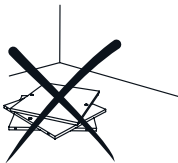
Model # 350631, 350632, 350633, 350634





For Best Results

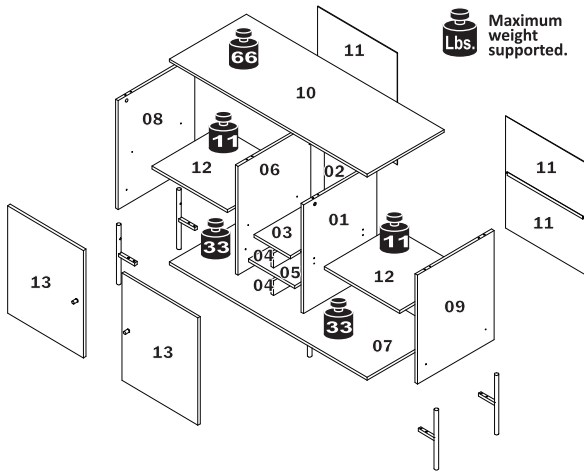
- Do not throw away packaging materials until assembly is complete.
- Assemble item on a soft surface, such as cardboard or carpet, to protect finish.
- Proper assembly requires two people.



Tools Required



Included in this Package



- | | | |
|----|----------------------------------|----|
| 01 | RIGHT DIVISION | x1 |
| 02 | CENTRAL BACK | x1 |
| 03 | SMALL SHELF | x1 |
| 04 | VERTICAL DIVISION OF THE NICHE | x2 |
| 05 | HORIZONTAL DIVISION OF THE NICHE | x1 |
| 06 | LEFT DIVISION | x1 |
| 07 | LOWER TOP | x1 |
| 08 | LEFT SIDE | x1 |
| 09 | RIGHT SIDE | x1 |
| 10 | UPPER TOP | x1 |
| 11 | BACK | x4 |
| 12 | SHELF | x2 |
| 13 | DOOR | x2 |
| 14 | FITTINGS | x1 |

14 Fittings

Where to find the items

Box 01		
01	06	11
02	07	12
03	08	13
04	09	14
05	10	

Assembly time: 120 min

Tip of the number of people required for product assembly.



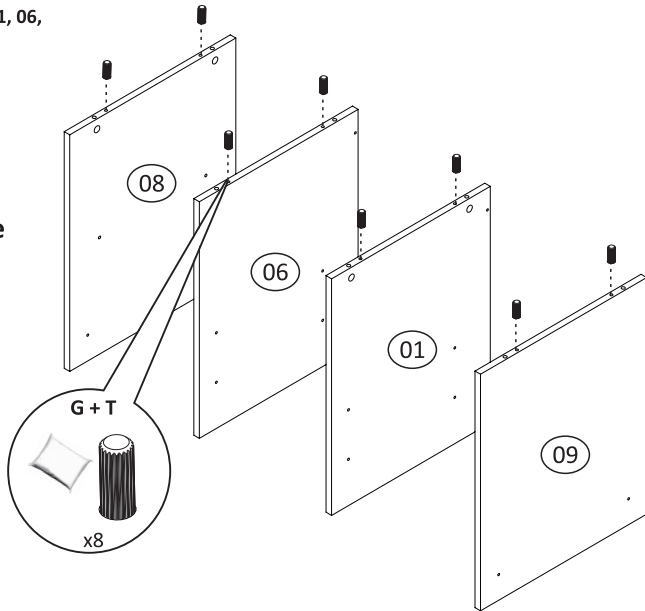
Prepare the pieces

Step 1

Insert the wooden dowels (G) into parts 01, 06, 08 and 09. Remember to use the glue (T).

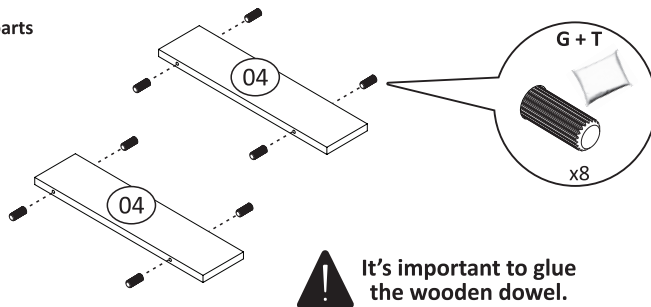
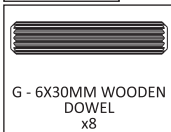


It's important to glue the wooden dowel.



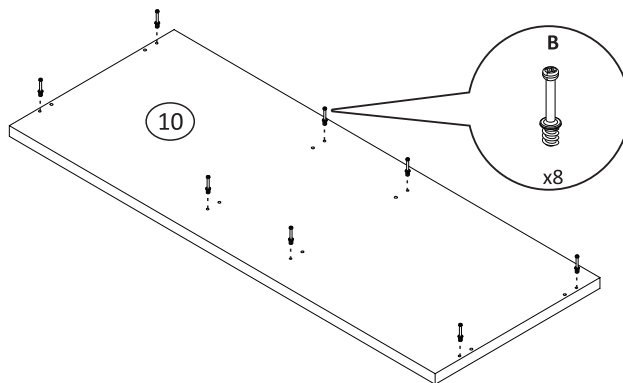
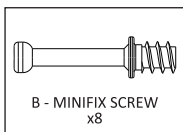
Step 2

Insert the wooden dowels (G) into parts 04. Remember to use the glue (T).



Step 3

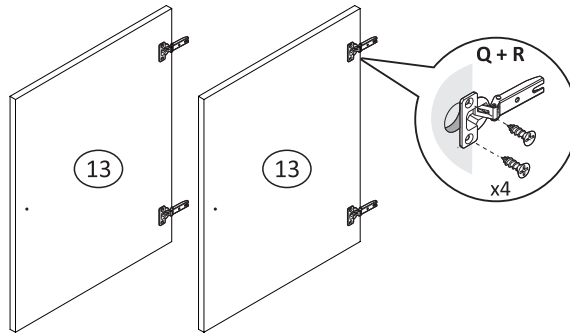
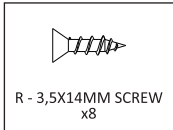
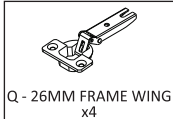
Insert screw B into part 10.
Tighten to the limit.



Prepare the pieces

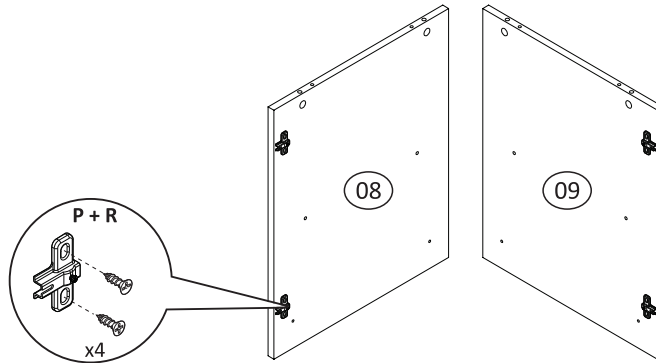
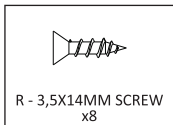
Step 4

Fix the hinges (Q) on the marks on the doors 13, using eight screws (R)



Step 5

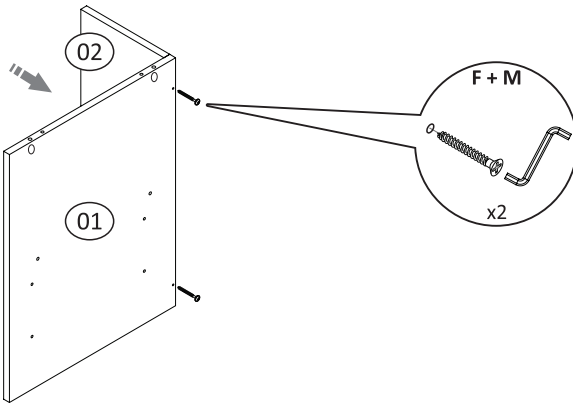
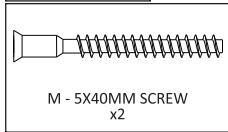
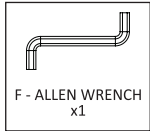
Fix the door wing (P) on the marks on the parts 08 and 09, using eight screws (R).



Assembly

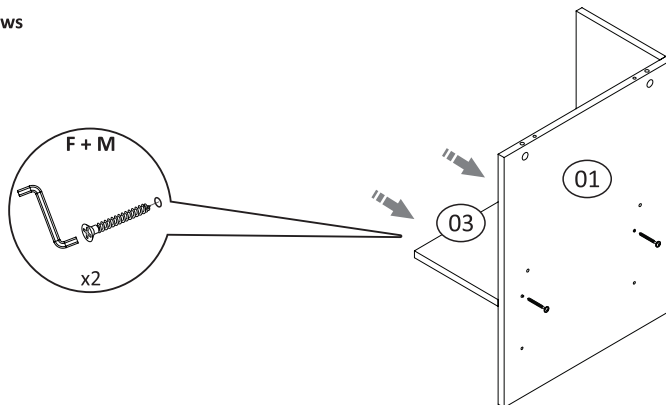
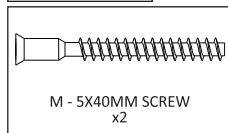
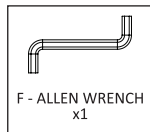
Step 6

Put the parts 01 and 02 together and use two screws (M) with the allen wrench (F).



Step 7

insert the part 03 and use two screws (M) with the allen wrench (F).

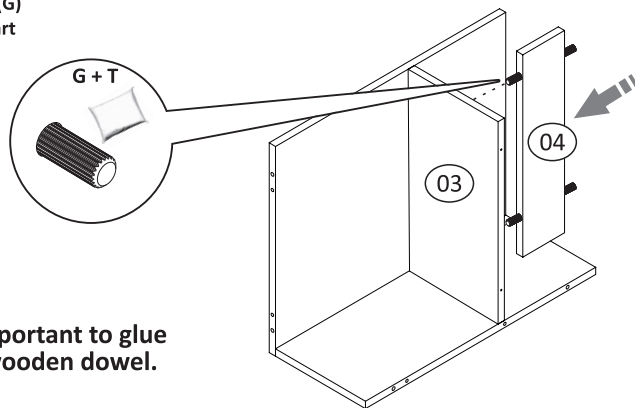


Step 8

Put the glue (T) in the wooden dowel (G) already fixed into part 04. Then put part 04 together with part 03.



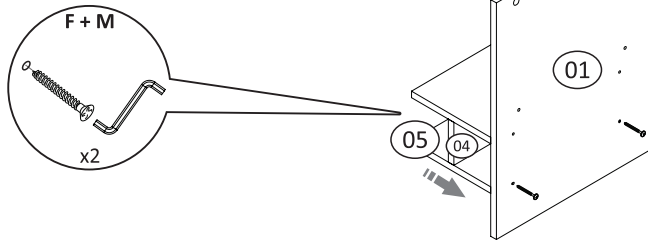
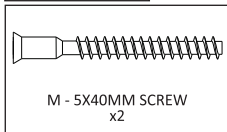
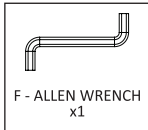
It's important to glue the wooden dowel.



Assembly

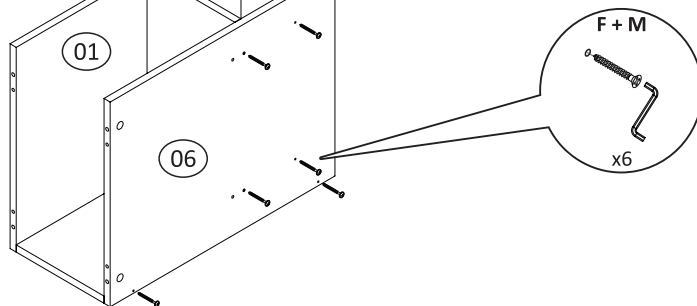
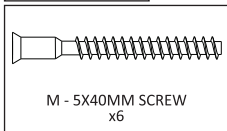
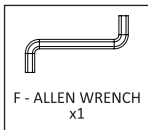
Step 9

Put the parts 01 and 05 together and use two screws (M) with the allen wrench (F). Remember to fit part 04 to part 05 before screwing.



Step 10

Put the part 06 and use six screws (M) according to the drawing

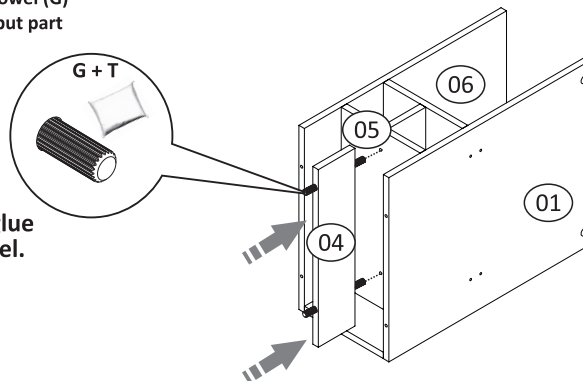


Step 11

Put the glue (T) in the wooden dowel (G) already fixed into part 04. Then put part 04 together with part 05.



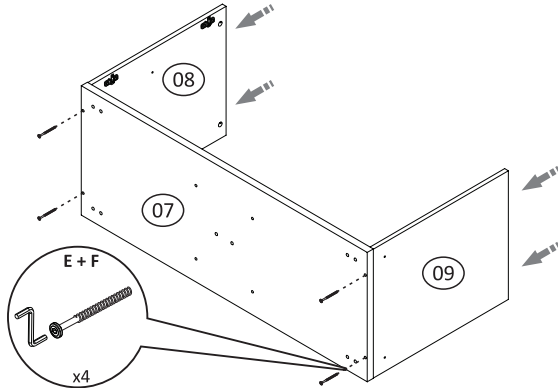
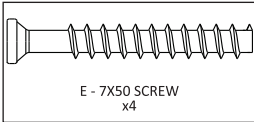
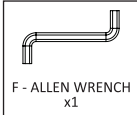
It's important to glue the wooden dowel.



Assembly

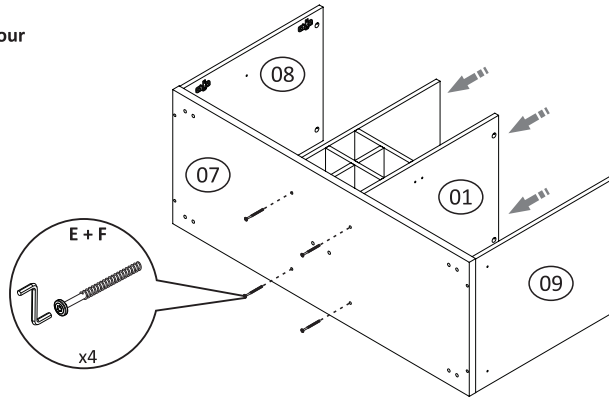
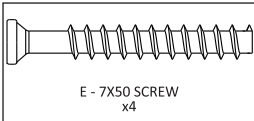
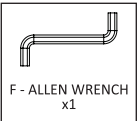
Step 12

Put the parts 08 and 09 together in part 07, and use four screws (E) with the Allen wrench (F).



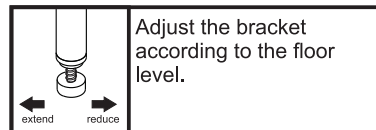
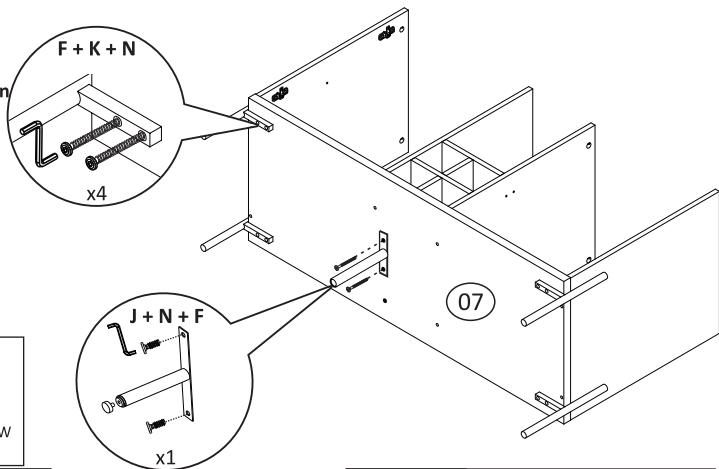
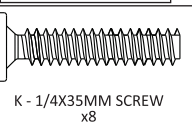
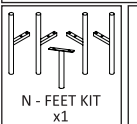
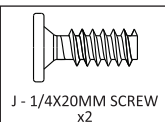
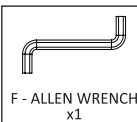
Step 13

Insert the niche in part 07, and use four screws (E) with the Allen wrench (F).



Step 14

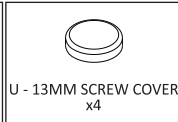
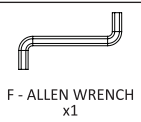
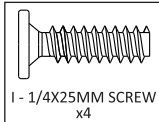
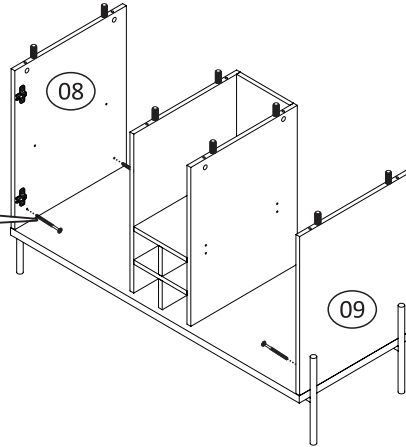
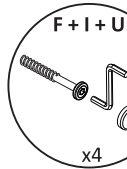
Put feet on part 07 as the drawing. On each foot on the side (N), use two screws (K), and two screws (J) in the central foot with the Allen wrench (F).



Assembly

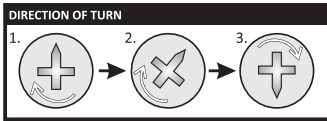
Step 15

Insert the screw (I) through parts 08 and 09 according to the drawing using the Allen wrench (F). The screw (I) must fix parts 08 and 09 on the feet (N).

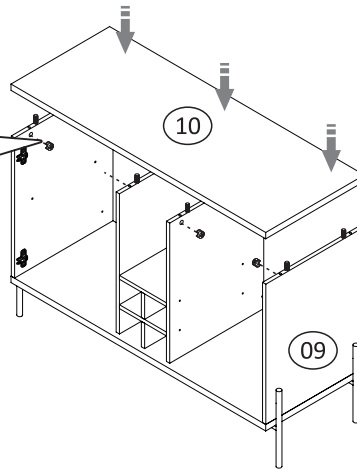
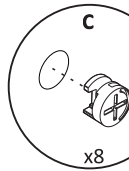


Step 16

Put the part 10, and Insert the eight minifix connectors (C) and rotate clockwise as shown. Tighten to the limit.

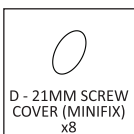
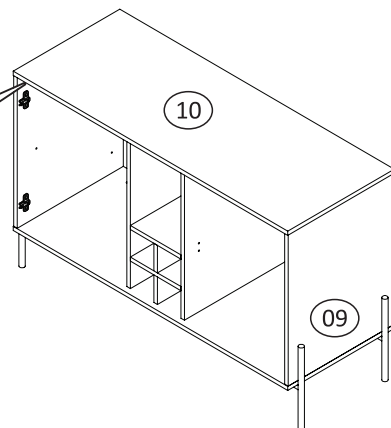
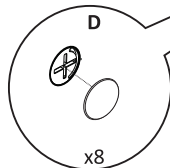


Tighten the minifix up to the limit to assembly don't be slack.



Step 17

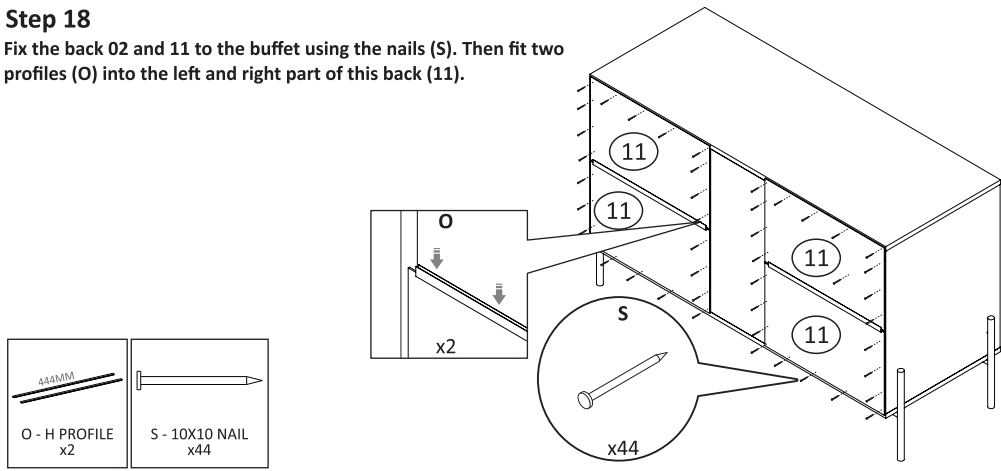
Put the cover (D) to the minifix connectors (C).



Assembly

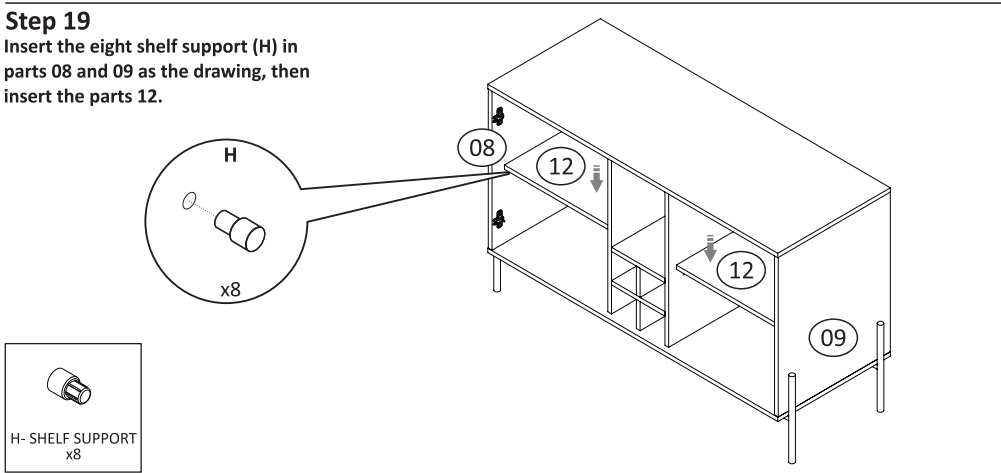
Step 18

Fix the back 02 and 11 to the buffet using the nails (S). Then fit two profiles (O) into the left and right part of this back (11).



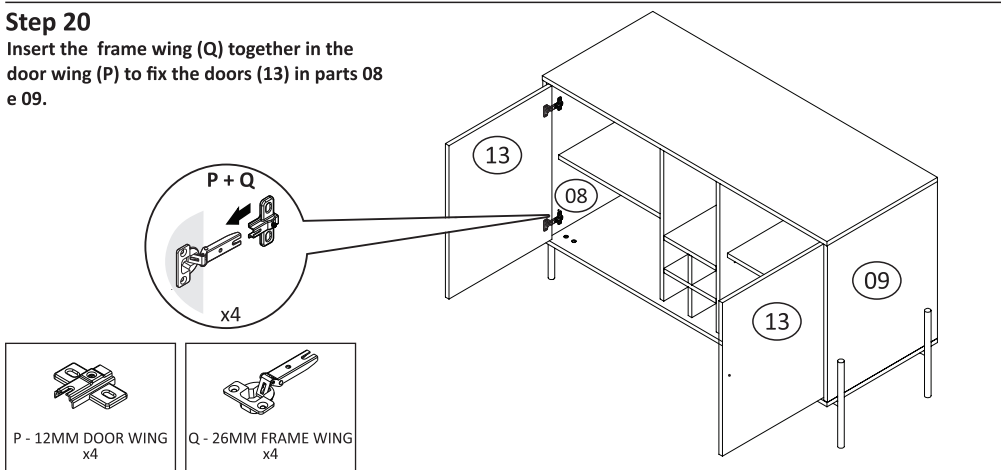
Step 19

Insert the eight shelf support (H) in parts 08 and 09 as the drawing, then insert the parts 12.



Step 20

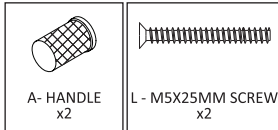
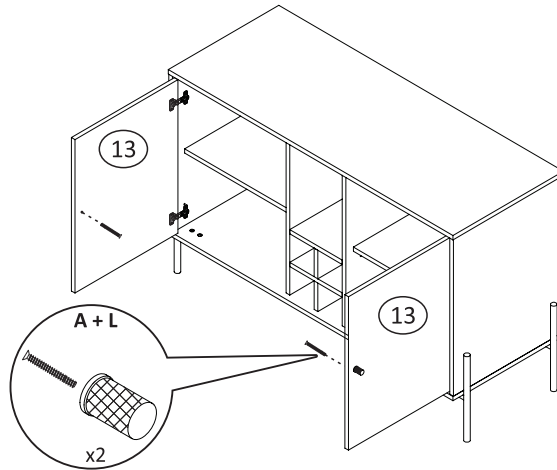
Insert the frame wing (Q) together in the door wing (P) to fix the doors (13) in parts 08 e 09.



Assembly

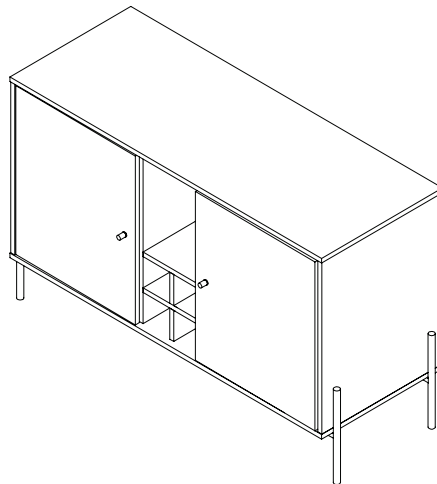
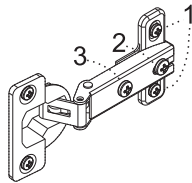
Step 21

Insert the screw (L) from inside the door, tighten into the handle (A) on the outside.



To adjust the doors, follow the instructions below:

- 1 - If you need to put the door up or down, unscrew all the screw with number 1, reposition and retight.
- 2 - If you need to push the door to inside or pull it out, loosen the indicated screw with number 2, reposition and retight.
- 3 - If you need to align the doors a bit more to the center, or toward the sides, use a philips wrench to turn the screw lwith number 3 until the position the door as you need.



TAKING GOOD CARE OF YOUR FURNITURE

Cleaning and caring instructions:

- Wipe the wood furniture down with a moist cloth to properly clean the furniture.
- Do not forget to dry your furniture out. Humidity can damage the finish or create mould.
- Chemical products are not recommended;
- Never clean the furniture with scouring powders, steel scrubber pads or any other product which can scratch its
- Furniture surfaces should not be covered with colored plastic or paper sheets.
- Avoid dragging objects on top of the furniture. They might scratch the finishing.
- Wood furniture are made of mould and termites resistant materials, however, it is recommended to use termiticides
in infested places before installing the furniture.
- Avoid furniture exposure to direct Sun light. Drapers suggested.