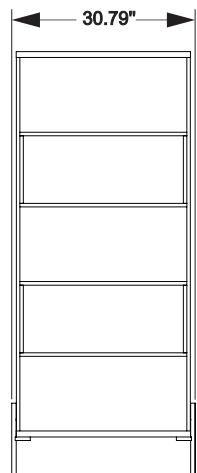
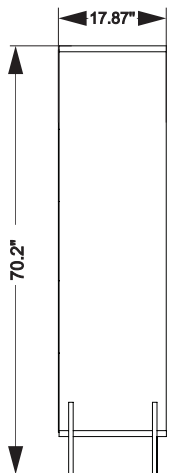
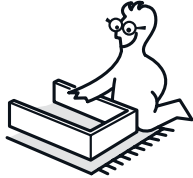


MANHATTAN  
COMFORT

**Joy Bookcase**

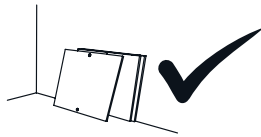
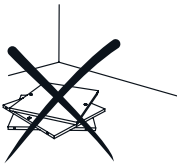
Model # 350621, 350622, 350623, 350624





#### For Best Results

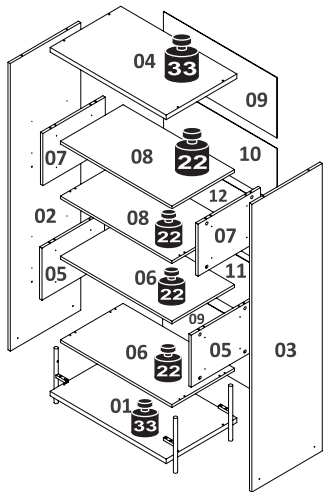
- Do not throw away packaging materials until assembly is complete.
- Assemble item on a soft surface, such as cardboard or carpet, to protect finish.
- Proper assembly requires two people.



#### Tools Required

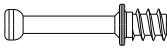


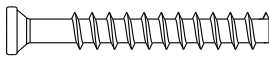





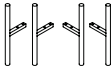

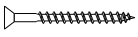


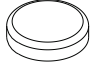


## Included in this Package



01	LOWER TOP	x1
02	LEFT SIDE	x1
03	RIGHT SIDE	x1
04	UPPER TOP	x1
05	SIDE OF THE LOWER NICHE	x2
06	LOWER SHELF	x2
07	SIDE OF THE UPPER NICHE	x2
08	UPPER SHELF	x2
09	LOWER/UPPER BACK	x2
10	BACK OF UPPER NICHE	x1
11	BACK OF LOWER NICHE	x1
12	CENTRAL BACK	x1
13	FITTINGS	x1

## 13 Fittings

 A - MINIFIX SCREW x16	 B - 15MM CONNECTOR x16	 C - 21MM SCREW COVER (MINIFIX) x16	 D - 7X50 SCREW x8	 E - ALLEN WRENCH x1
 F - 6X30MM WOODEN DOWEL x16	 G - 1/4X25MM SCREW x4	 H - 1/4X35MM SCREW x8	 I - FIXER FOR BACK WARDROBE x20	 J - FEET KIT x1
 K - 10X10 NAIL x60	 L - 3,5X25MM SCREW x16	 M - WHITE GLUE x1	 N - SHELF SUPPORT x8	 O - 13 MM SCREW COVER x4

## Where to find the items

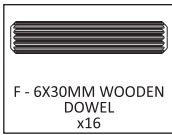
Box 01		
01	06	11
02	07	12
03	08	13
04	09	
05	10	

Assembly time: 120 min

Tip of the number of people required for product assembly



## Prepare the pieces

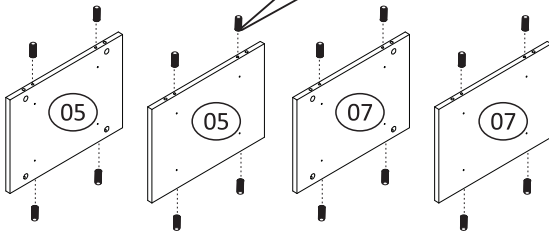
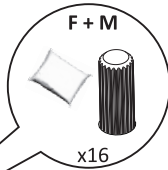


### Step 1

Insert the wooden dowels (F) into parts 05 and 07. Remember to use the glue (M).

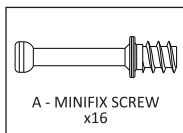
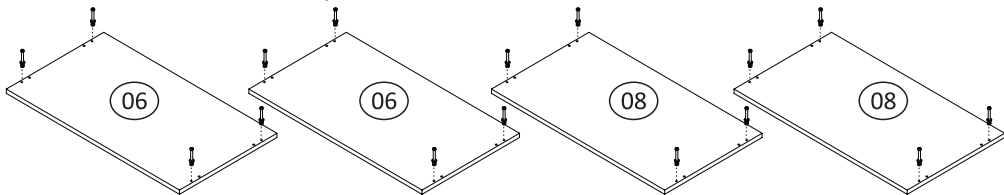
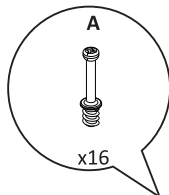


It's important to glue the wooden dowel.



### Step 2

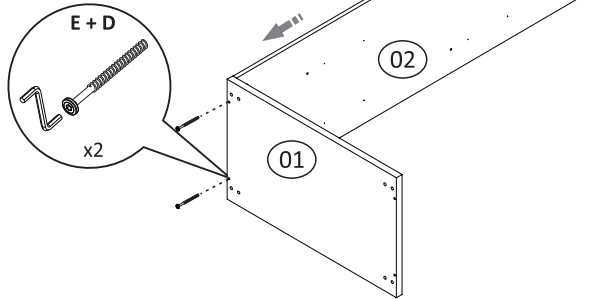
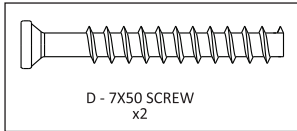
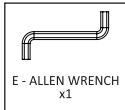
Insert screw (A) into part 06 and 08. Tighten to the limit.



# Assembly

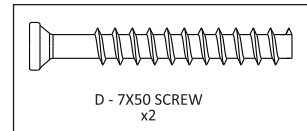
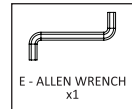
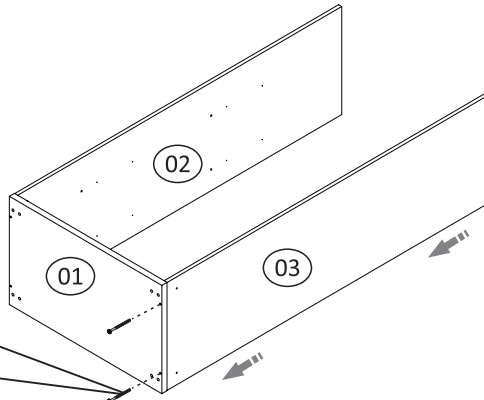
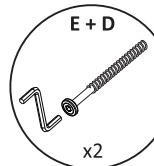
## Step 3

Put the parts 01 and 02 together and use two screws (D) and the Allen wrench (E).



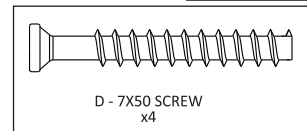
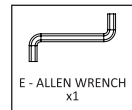
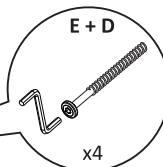
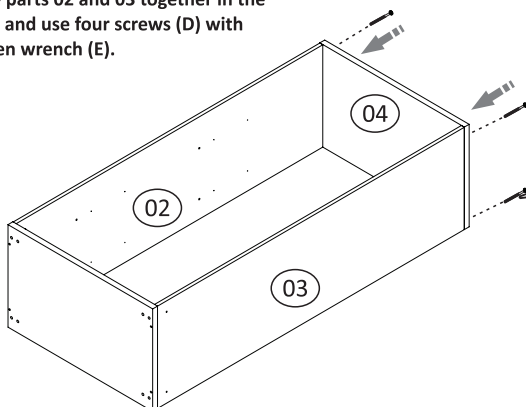
## Step 4

Put the parts 01 and 03 together and use two screws (D) and the Allen wrench (E).



## Step 5

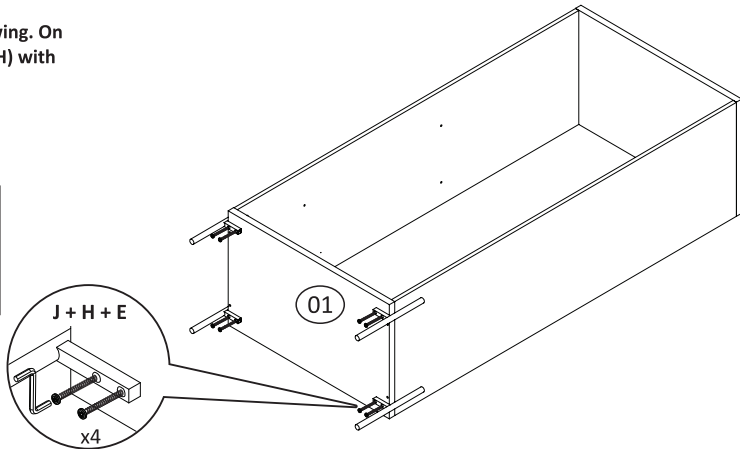
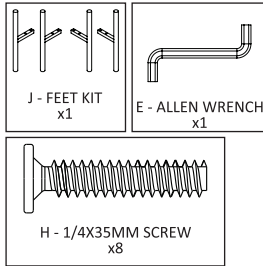
Put the parts 02 and 03 together in the part 04 and use four screws (D) with the Allen wrench (E).



# Assembly

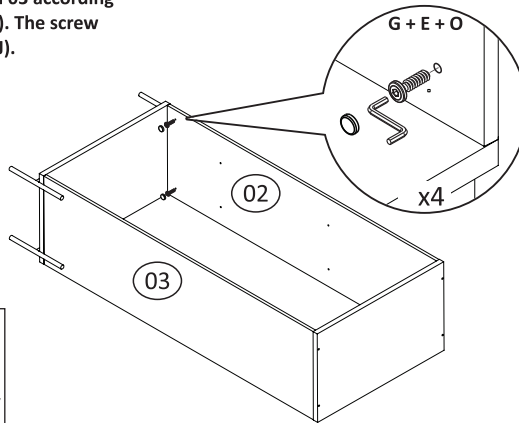
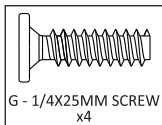
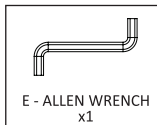
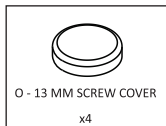
## Step 6

Put feet on part 01 as the drawing. On each foot (J), use two screws (H) with the Allen wrench (E).



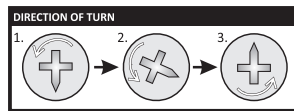
## Step 7

Insert the screw (G) through parts 02 and 03 according to the drawing using the Allen wrench (E). The screw (G) must fix parts 02 and 03 on the feet (J).

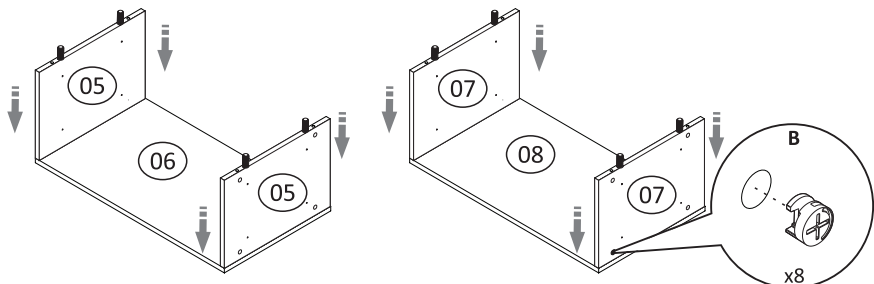


## Step 8

Put the glue (M) in the wooden dowel (F) already fixed into parts 05 and 07. Then put parts together with parts 06 and 08. Insert eight minifix connectors (B) and rotate clockwise as shown. Tighten to the limit.



Tighten the minifix up to the limit to assembly don't be slack.

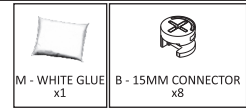


# Assembly

## Step 9

Put the glue (M) in the wooden dowel (F) already fixed into parts 05 and 07. Then put parts 05 and 07 together with parts 06 and 08.

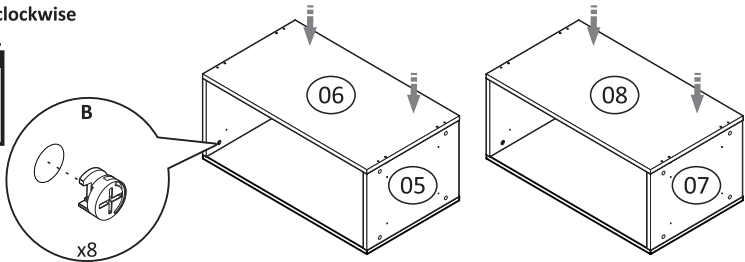
Insert the eight minifix connectors (B) in parts 05 and 07 and rotate clockwise as shown. Tighten to the limit.



DIRECTION OF TURN

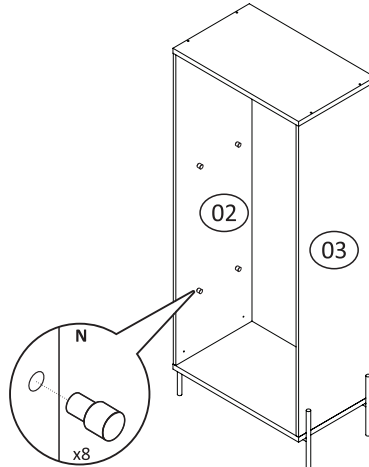


Tighten the minifix up to the limit to assembly don't be slack.



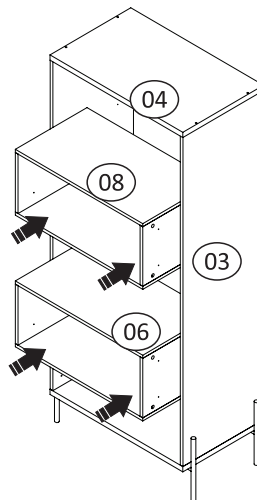
## Step 10

Insert the eight shelf supports (N) in parts 02 and 03 as the drawing.



## Step 11

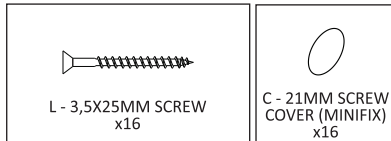
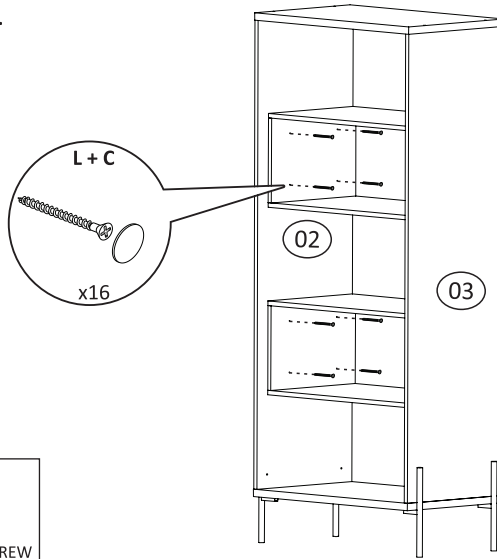
Insert the niches carefully in the bookcase as the drawing.



# Assembly

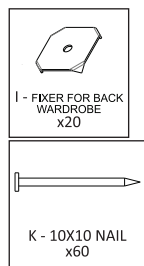
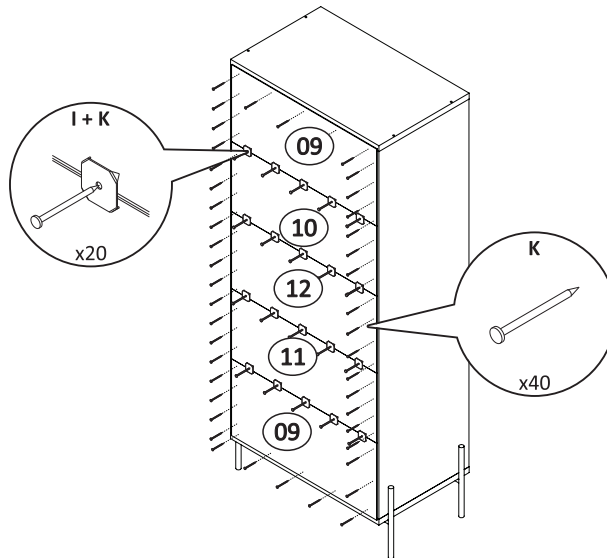
## Step 12

Insert the screw (L) through parts 02 and 03 according to the drawing.  
Put the cover to the screw as the drawing.



## Step 13

Fix the backs 09, 10, 11 and 12 using the nails (K) and fixer for back wardrobe (I).

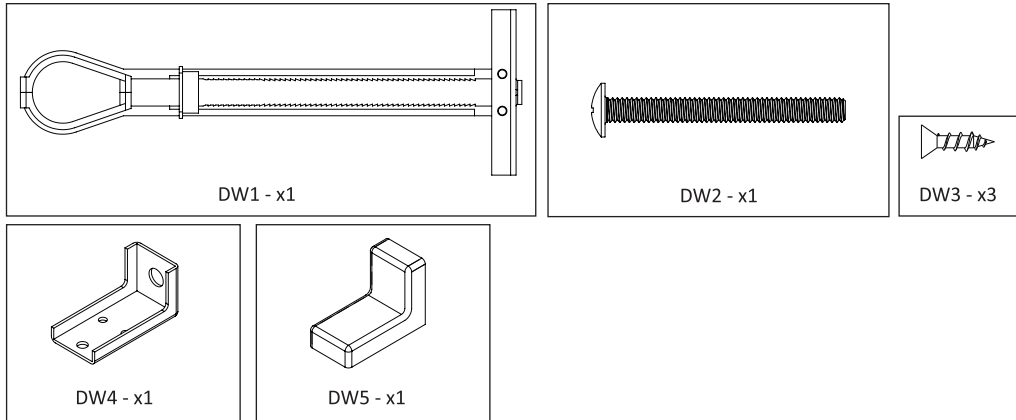




## Safe and Security

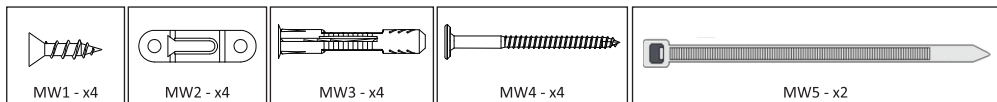
### KIT FOR DRYWALL DW = DRYWALL

Go to Step 14



### KIT FOR MASONRY MW = MASONRY WALL

Go to Step 24



# WARNING



Serious or fatal crushing injuries can occur from furniture tip-over. ALWAYS secure this furniture to the wall using tip-over restraints. To further reduce the risk of serious injury and death from tip-overs:

- Place heaviest items in the lower drawer.
- Do not set TVs or other heavy objects on the top of this product.
- Never allow children to climb or hang on drawers doors or shelves.

**DON'T PULL THE FURNITURE TO CHANGE IT.  
INSTEAD OF PULLING, PUSH IT ON THE DIRECTION YOU WANT.**

# Safe and Security

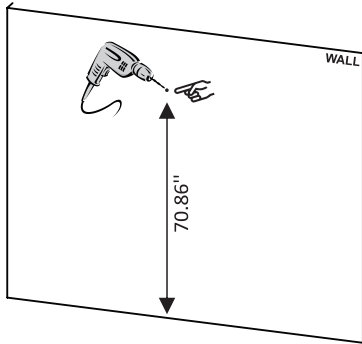
## KIT FOR DRYWALL

1. Make holes on the wall following the model below and specifications:

- $\varnothing$  14mm (9/16") drill.
- $\nabla$  Depth of 60mm (2.36").

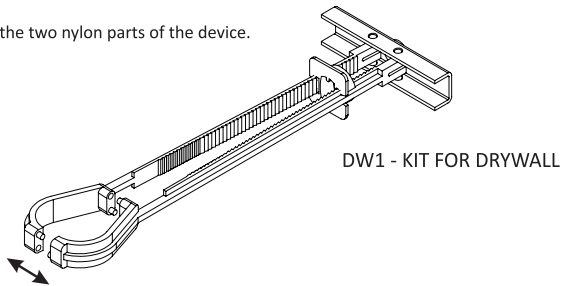
**Step 14**

  
**Use an electric drill.**



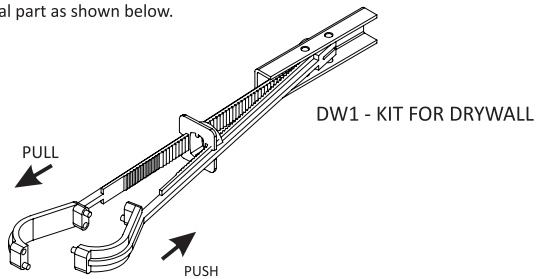
**Step 15**

2. Separate the two nylon parts of the device.



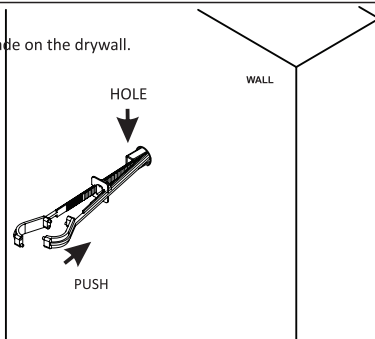
**Step 16**

3. Fold the metal part as shown below.



**Step 17**

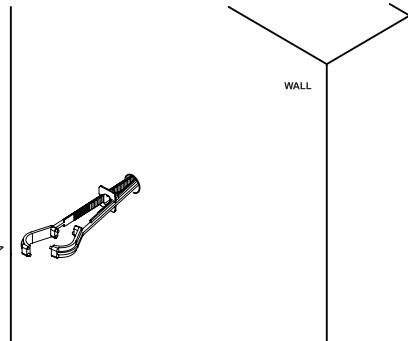
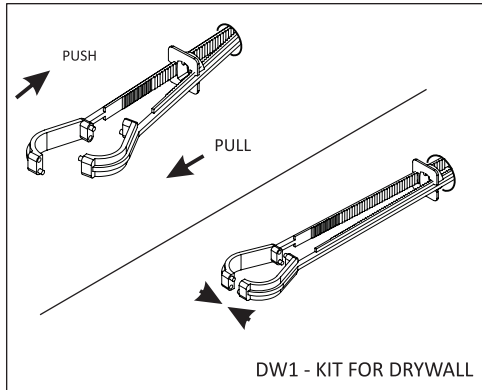
4. Insert the devices into the hole made on the drywall.



## Safe and Security

### Step 18

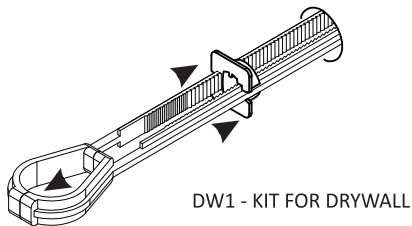
5. As the device inserted into the drywall pull the nylon pieces as below and fitting the two parts.



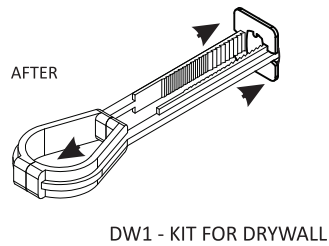
### Step 19

6. Adjust the metal part detached to the hole made on the drywall. For this necessary to pull the handle on the opposite direction.

BEFORE



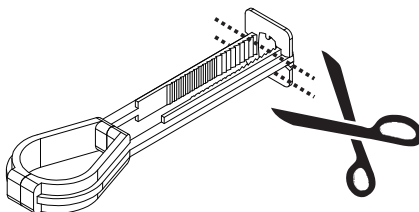
AFTER



### Step 20

7. Cut the space nylon parts of the device.

BEFORE

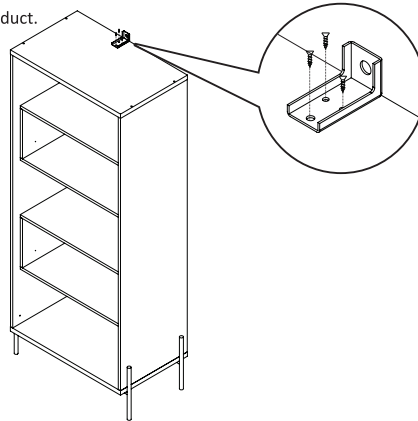


AFTER



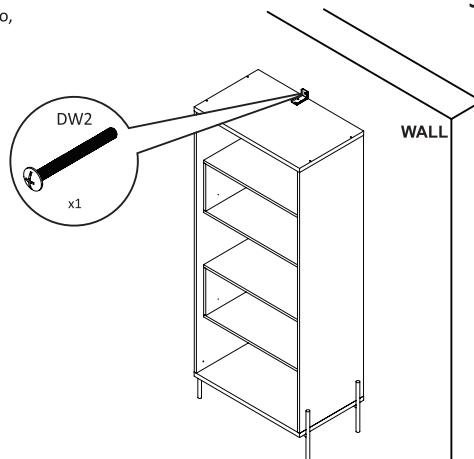
## Safe and Security

8. Put the corner (DW4) on the upper top (04) of the product.



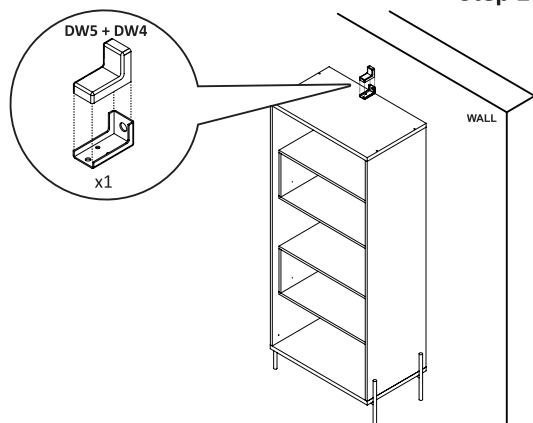
**Step 21**

9. Put the Bookcase to the wall and aligning the hole in the safety block with the hole that was made the drywall. Done so, insert the screw up to it's maximum limit on.



**Step 22**

10. Put the cover (DW5) over the corner (DW4).



**Step 23**

## KIT FOR MASONRY

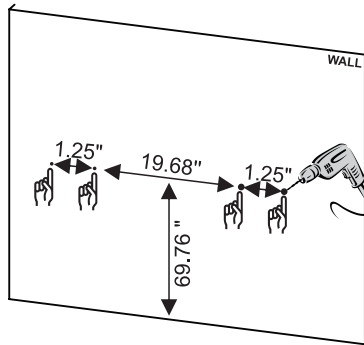
1. Make holes on the wall following the model below and specifications:

- $\varnothing$  8mm (5/16") drill.
- $\nabla$  Depth of 50mm (1.96").

**Step 24**

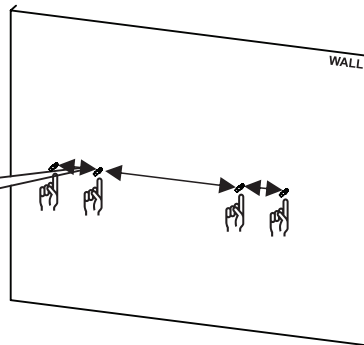
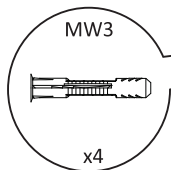


**Use an electric drill.**



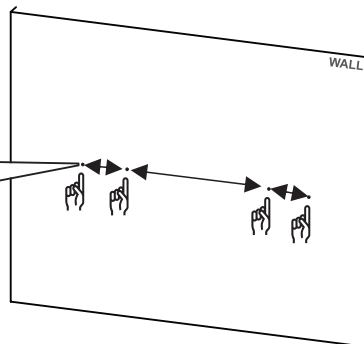
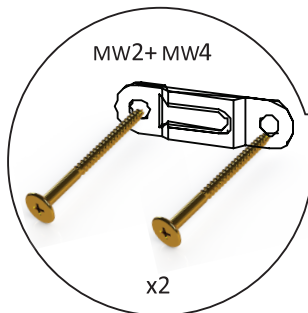
2. Insert the bushing into the hole made on the wall.

**Step 25**



3. Put the screws into the bushings, but don't tighten until the end.

**Step 26**

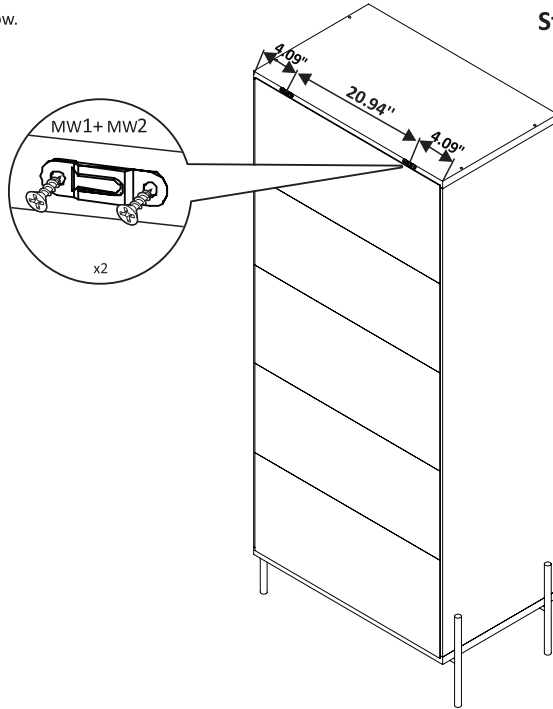


4. Put the lock on the horizontal as the pictures below.

### Step 27



Check the distance between wall's holes.  
It must be the same distance between centers  
of product's device.

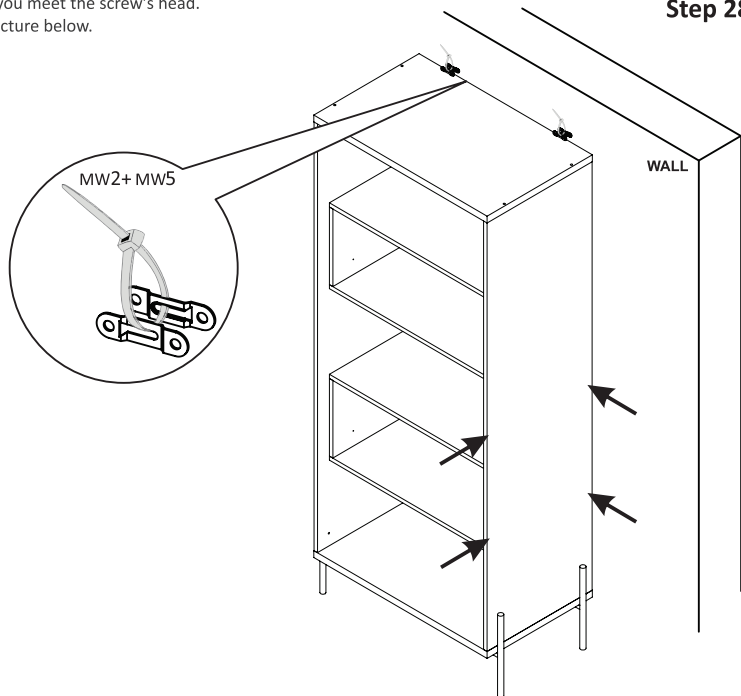


5. Drag the product carefully until you meet the screw's head.  
Fit the screw into the lock as the picture below.

### Step 28



Put the two pieces together  
and insert the seal.



## TAKING GOOD CARE OF YOUR FURNITURE

Cleaning and caring instructions:

- Wipe the wood furniture down with a moist cloth to properly clean the furniture.
- Do not forget to dry your furniture out. Humidity can damage the finish or create mould.
- Chemical products are not recommended;
- Never clean the furniture with scouring powders, steel scrubber pads or any other product which can scratch its
- Furniture surfaces should not be covered with colored plastic or paper sheets.
- Avoid dragging objects on top of the furniture. They might scratch the finishing.
- Wood furniture are made of mould and termites resistant materials, however, it is recommended to use termiticides in infested places before installing the furniture.
- Avoid furniture exposure to direct Sun light. Drapers suggested.