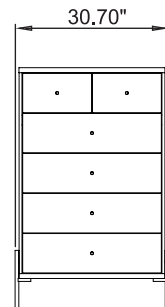
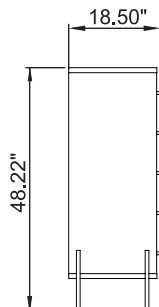
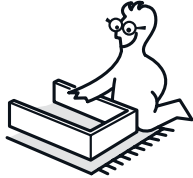


MANHATTAN
COMFORT

Joy Vertical Dresser

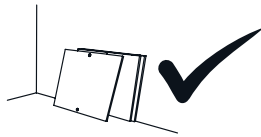
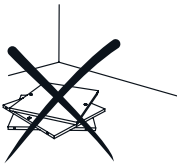
Model # 350551, 350552, 350553, 350554





For Best Results

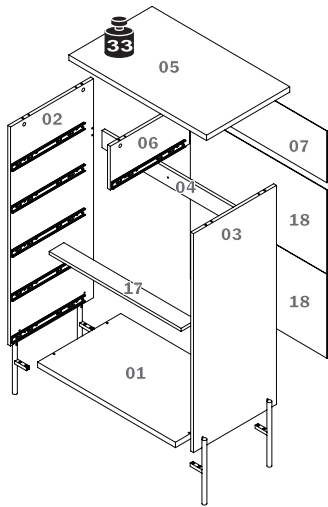
- Do not throw away packaging materials until assembly is complete.
- Assemble item on a soft surface, such as cardboard or carpet, to protect finish.
- Proper assembly requires two people.



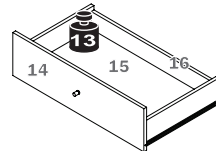
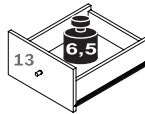
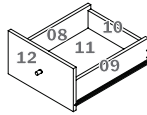
Tools Required



Included in this Package



- | | | |
|----|-------------------------|----|
| 01 | LOWER TOP | x1 |
| 02 | LEFT SIDE | x1 |
| 03 | RIGHT SIDE | x1 |
| 04 | BATTEN | X1 |
| 05 | UPPER TOP | x1 |
| 06 | DIVISION | x1 |
| 07 | UPPER BACK | x1 |
| 08 | LEFT SIDE OF THE DRAWER | x6 |
| 09 | RIGHT SIDE OF DRAWER | x6 |
| 10 | BACK OF SMALL DRAWER | x2 |
| 11 | SMALL DRAWER BOTTOM | x2 |
| 12 | FRONT OF LEFT DRAWER | X1 |
| 13 | FRONT OF RIGHT DRAWER | x1 |
| 14 | FRONT OF BIG DRAWER | x4 |
| 15 | BIG DRAWER BOTTOM | x4 |
| 16 | BACK OF BIG DRAWER | x4 |
| 17 | CENTRAL BATTEN | x1 |
| 18 | LOWER BACK | x2 |
| 19 | FITTINGS | x1 |



19 Fittings

 A - HANDLE x6	 B - MINIFIX SCREW x18	 C - 15MM CONNECTOR x18	 D - 21MM SCREW COVER (MINIFIX) x18	 E - 7X50 SCREW x4	 F - ALLEN WRENCH x1
 G - 6X30MM WOODEN DOWEL x34	 H - 3,5X14MM SCREW x8	 I - 1/4X25MM SCREW x4	 J - PLASTIC CORNER PLATE x2	 K - 1/4X35MM SCREW x8	 L - M5X25MM SCREW x6
 M - 3,5X40MM SCREW x24	 N - FEET KIT x1	 O - H PROFILE 715MM x1	 P - 10X10 NAIL x50	 Q - WHITE GLUE x2	 R - DRAWER BOTTOM SUPPORT x8
 S - 3,5X12MM WASHER HEAD SCREW x8					

Where to find the items

Box 01			
01	06	11	16
02	07	12	17
03	08	13	18
04	09	14	19
05	10	15	

Assembly time: 120 min

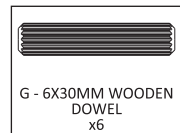
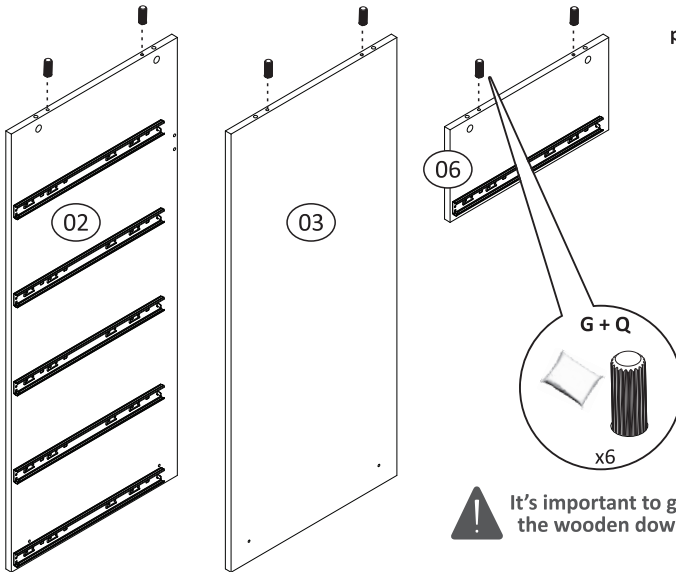
Tip of the number of people required for product assembly.



Prepare the pieces

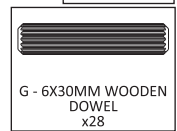
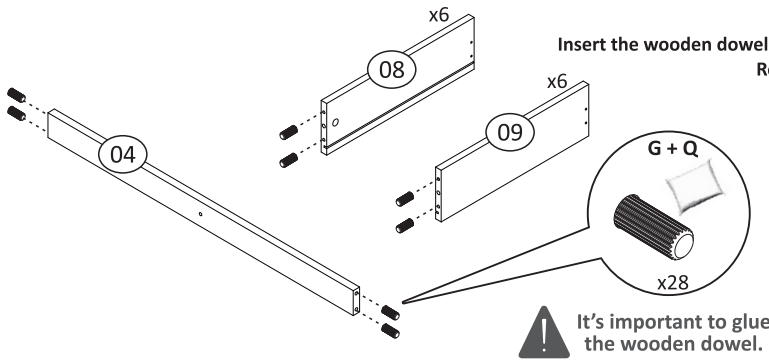
Step 1

Insert the wooden dowels (G) into parts 02, 03 and 06. Remember to use the glue (Q).



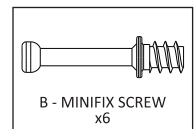
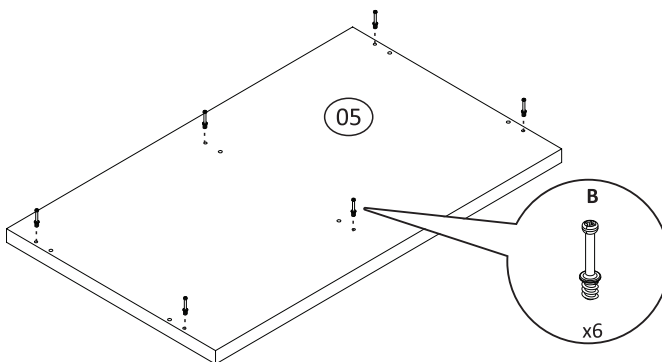
Step 2

Insert the wooden dowels (G) into parts 04, 08 and 09. Remember to use the glue (Q).



Step 3

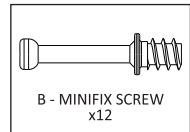
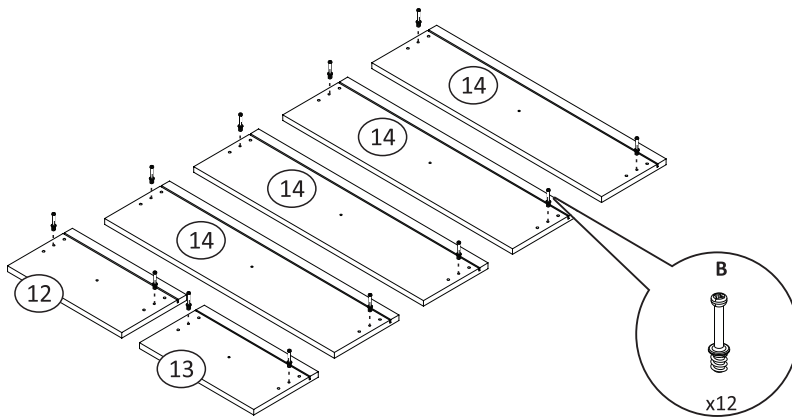
Insert screw B into part 05. Tighten to the limit.



Prepare the pieces

Step 4

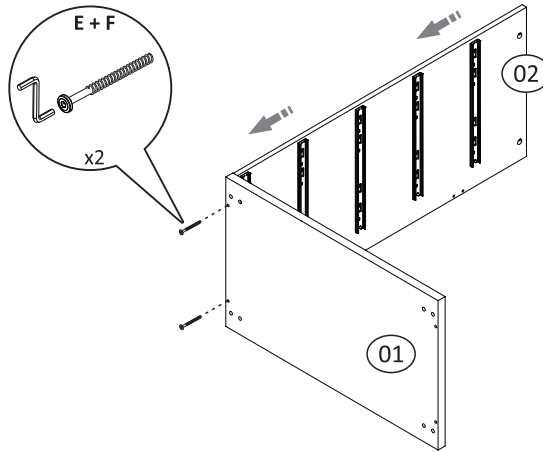
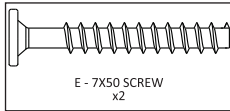
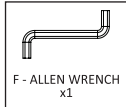
Insert screw B into parts 12, 13 and 14.
Tighten to the limit.



Assembly

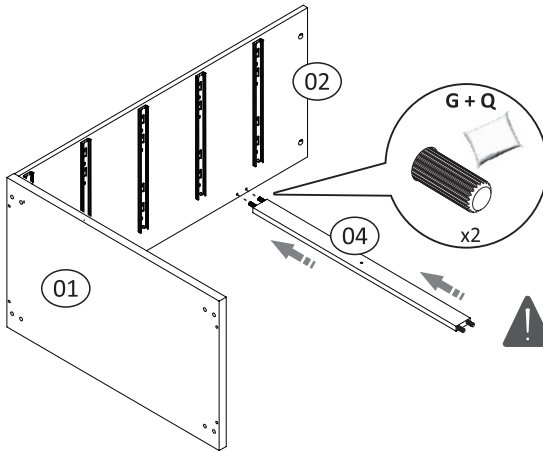
Step 5

Put the parts 01 and 02 together and use two screws (E) and the Allen wrench (F).



Step 6

Put the glue (Q) in the wooden dowel (G) already fixed into part 04. Then put part 04 together with part 02.

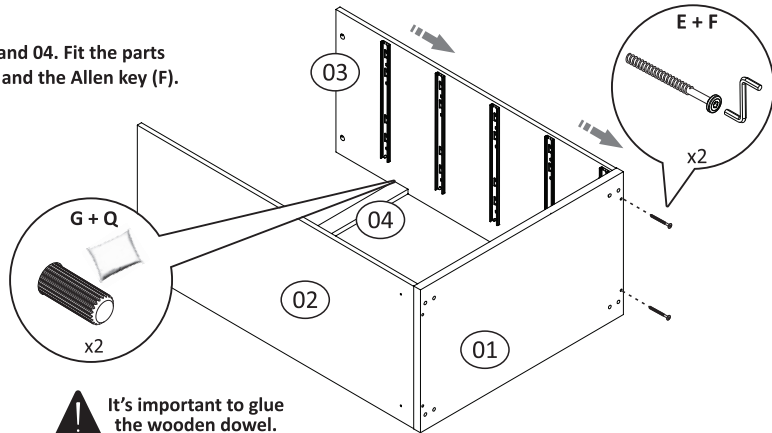
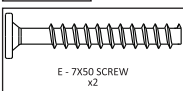
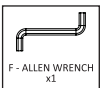


 It's important to glue the wooden dowel.



Step 7

Fit the part 03 the parts 01 and 04. Fit the parts 03 and 04 on the screws (E) and the Allen key (F).

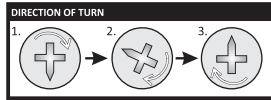


 It's important to glue the wooden dowel.

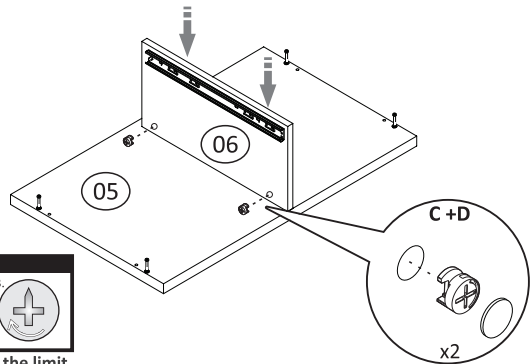
Assembly

Step 08

Put the part 06 to the screws already fixed to part 05. Insert the two minifix connectors (C) in part 06 and rotate clockwise as shown. Tighten to the limit. Insert the hole cap (D) over the minifix connectors (C).

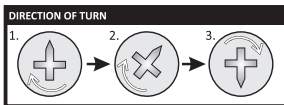


Tighten the minifix up to the limit to assembly don't be slack.

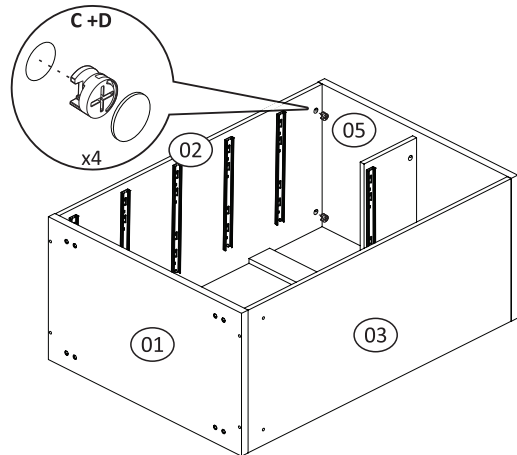


Step 09

Fit part 05 on the sides 02 and 03. Insert the four minifix connectors (C) on parts 02 and 03 according to the indicated drawing and turn clockwise. Tighten to the limit. Insert the hole cap (D) over the minifix connectors (C).

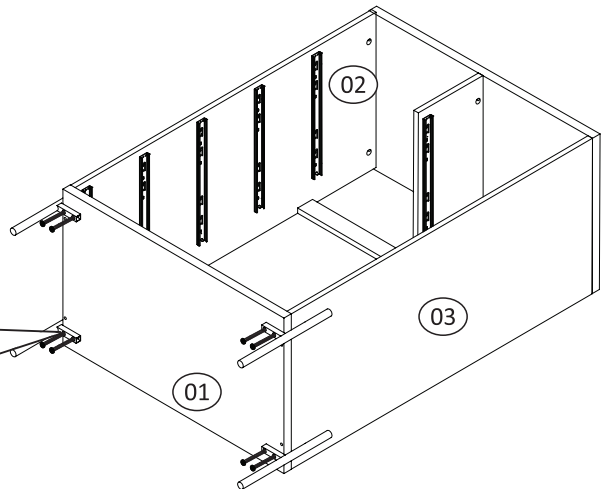
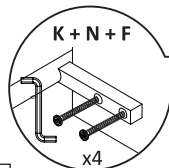
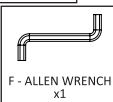
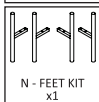
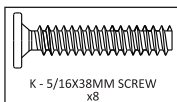


Tighten the minifix up to the limit to assembly don't be slack.



Step 10

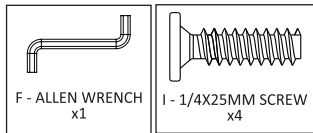
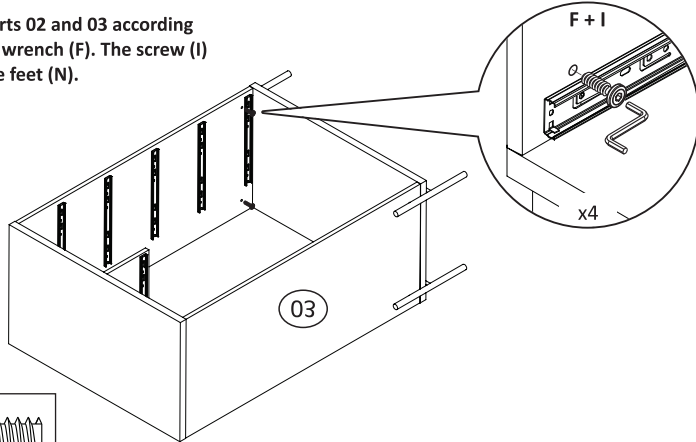
Put feet on part 01 as the drawing. On each foot (N), use two screws (K) with the Allen wrench (F).



Assembly

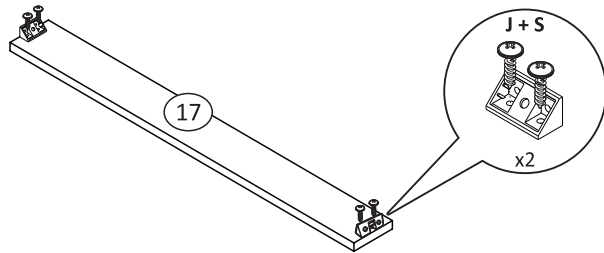
Step 11

Insert the screw (I) through parts 02 and 03 according to the drawing using the Allen wrench (F). The screw (I) must fix parts 02 and 03 on the feet (N).



Step 12

Fix the corner plate (J) on the part 17 and use four screws (S). Tighten to the limit.

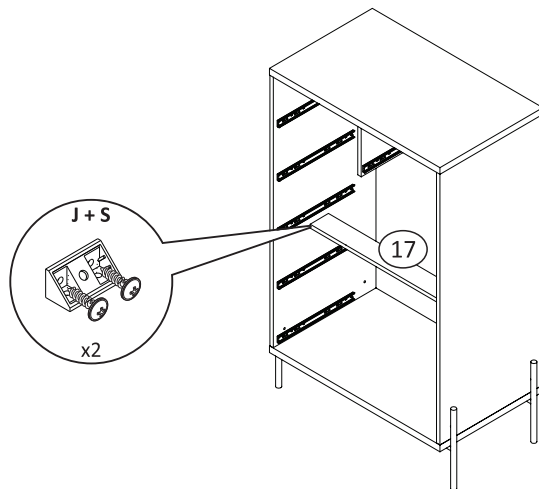


Step 13

Align the corner plate (J) which is fixed on the part 17 with the markings on parts 02 and 03. Then fix the corner plate with two screws (S). Do this on the right and left side of the product.



It's very important to pay attention to the marks on the sides to fix the batten on that.

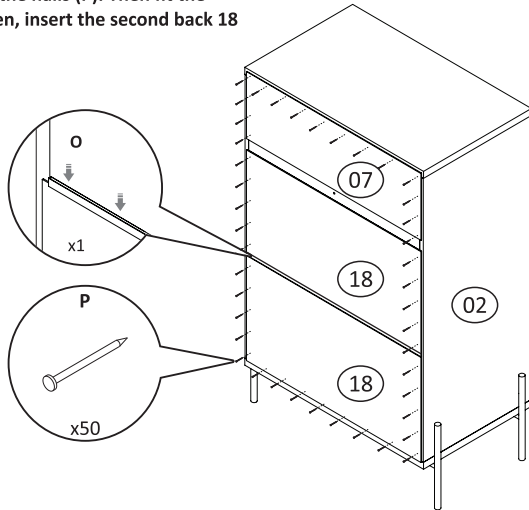
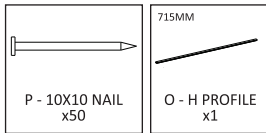


Assembly

Step 14

Fix the back 18 to the bottom of the dresser using the nails (P). Then fit the profile (O) into the upper part of this back(18). Then, insert the second back 18 into the profile (O) and fix it with nails (P).

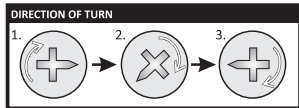
When it is ok, fix the back 07 at the top of the batten, as shown in the drawing.



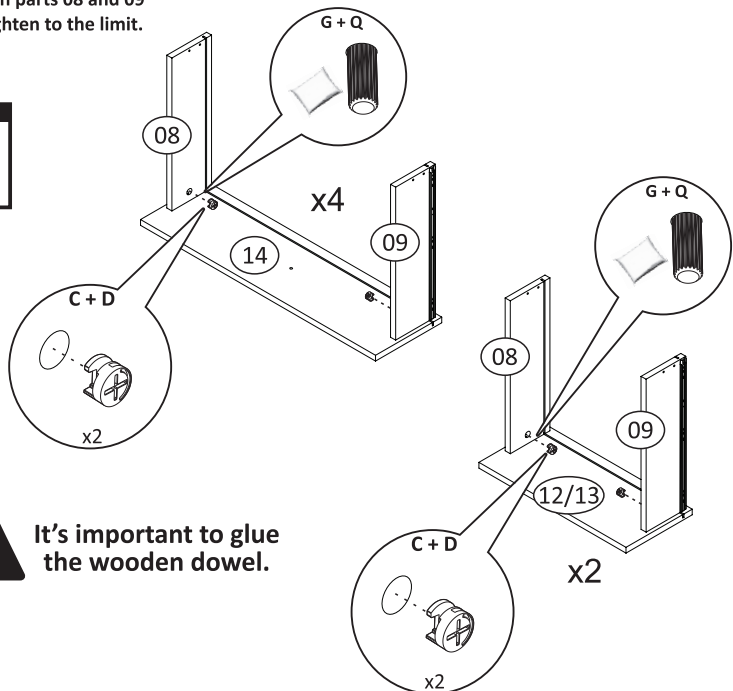
Drawers

Step 15

Fit the pieces 08 and 09 on 12/13/14 parts. Insert two minifix connectors (C) on parts 08 and 09 as shown and rotate clockwise. Tighten to the limit.



Tighten the minifix up to the limit to assembly don't be slack.



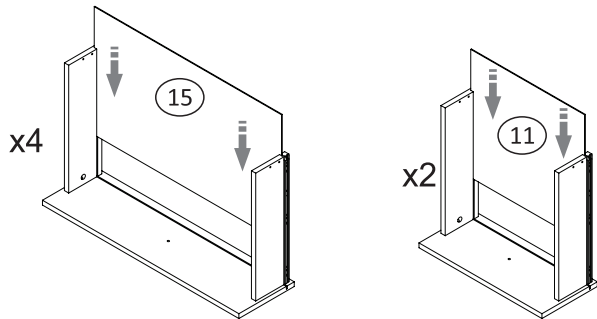
It's important to glue the wooden dowel.



Drawers

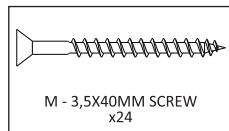
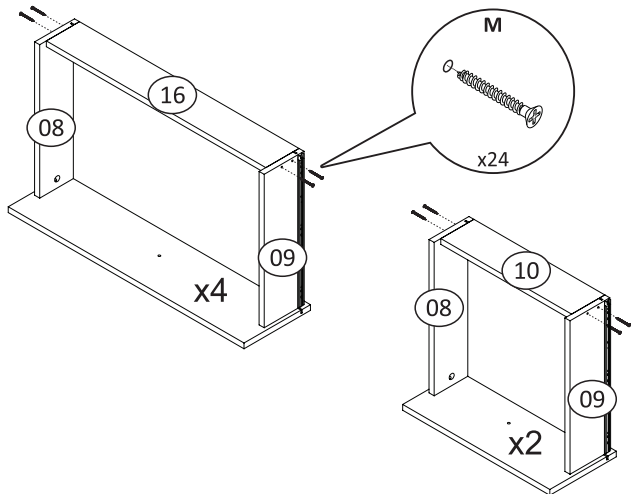
Step 16

Insert the drawer bottom 11 and 15 into their drawers.



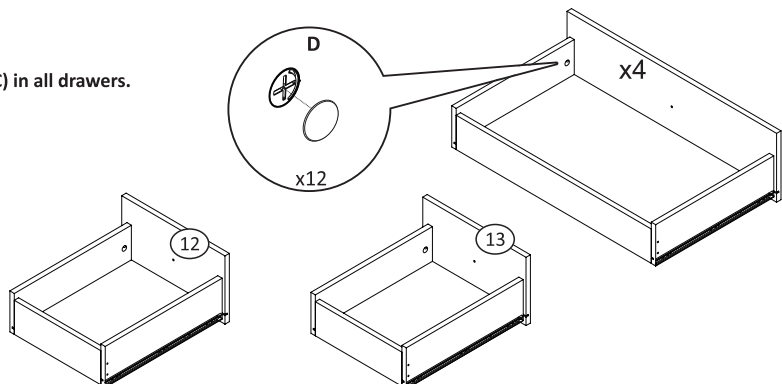
Step 17

Fix parts 08 and 09 to part 10/16 using four screws (M) on each.



Step 18

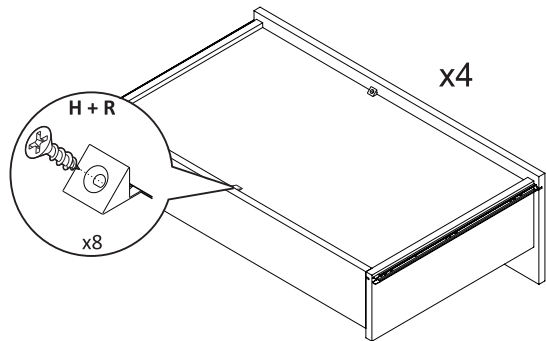
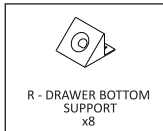
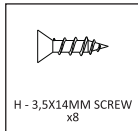
Put the cover (D) to the minifix connectors (C) in all drawers.



Drawers

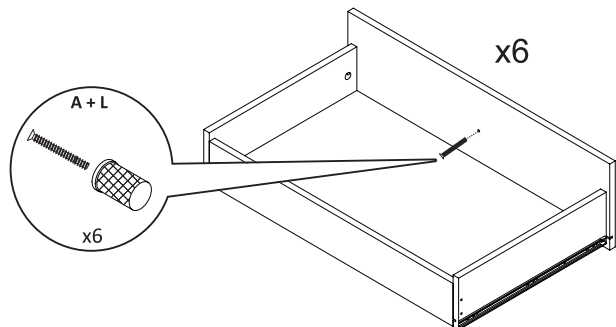
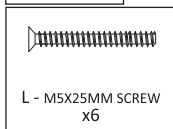
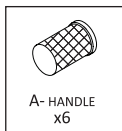
Step 19

At the bottom of the big drawer, according to the drawing, fit the bracket (R) and fix it with the screw (H).



Step 20

Insert the screw (L) from inside the drawer, tighten into the handle (A) on the outside.



Drawers

Step 21

Insert the drawers on the Vertical Dresser.
Make sure the drawers are firmly seated.



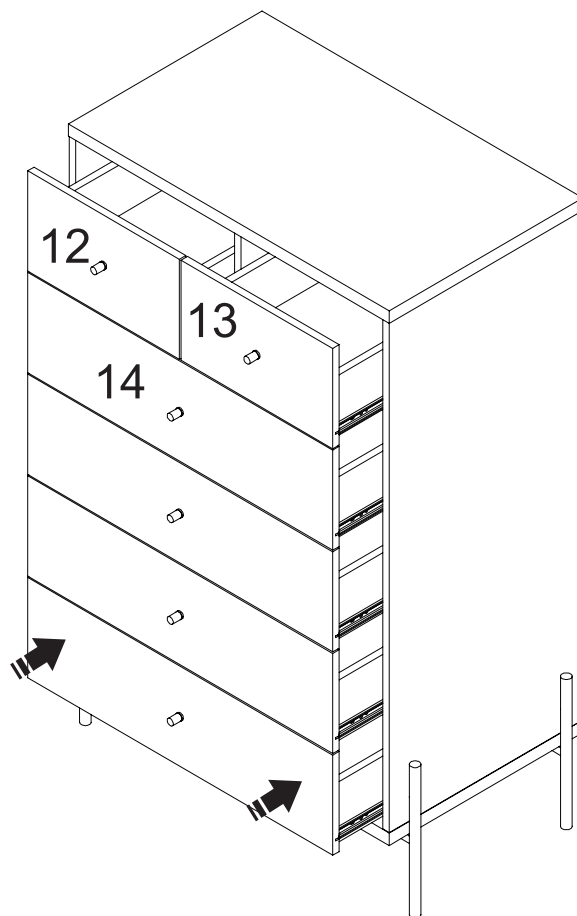
TO DRYWALL

If you fix the dresser on the DRYWALL
don't put the drawers.



TO MASONRY

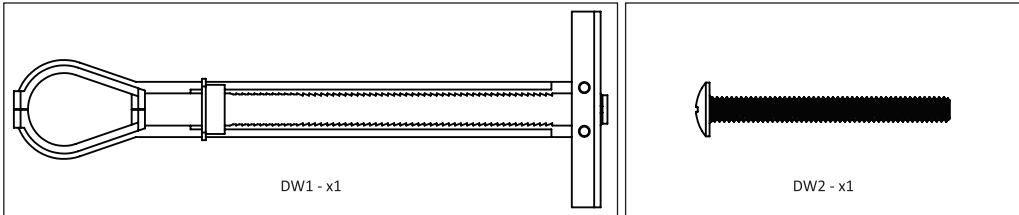
If you fix the dresser on the MASONRY WALL
you should put the drawers.



Safe and Security

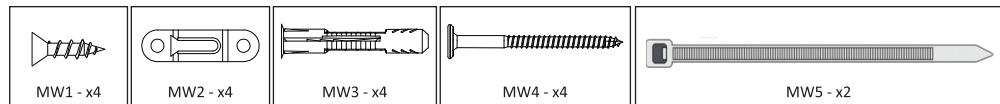
KIT FOR DRYWALL DW = DRYWALL

Go to Step 22



KIT FOR MASONRY MW = MASONRY WALL

Go to Step 30



WARNING



Serious or fatal crushing injuries can occur from furniture tip-over. ALWAYS secure this furniture to the wall using tip-over restraints. To further reduce the risk of serious injury and death from tip-overs:

- Place heaviest items in the lower drawer.
- Do not set TVs or other heavy objects on the top of this product.
- Never allow children to climb or hang on drawers doors or shelves.

**DON'T PULL THE FURNITURE TO CHANGE IT.
INSTEAD OF PULLING, PUSH IT ON THE DIRECTION YOU WANT.**

Safe and Security

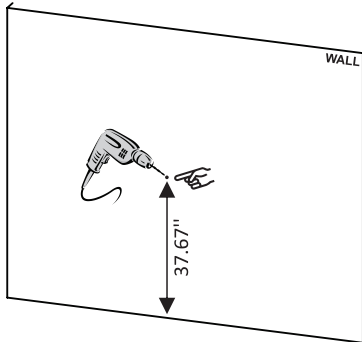
KIT FOR DRYWALL

1. Make holes on the wall following the model below and specifications:

- \varnothing 14mm (9/16") drill.
- ∇ Depth of 60mm (2.36").

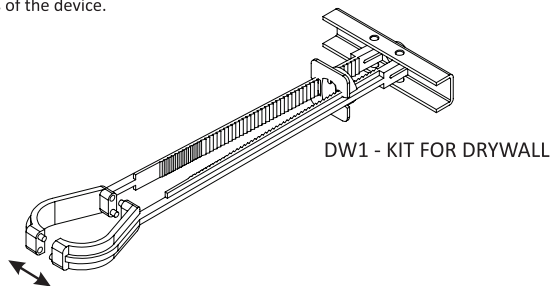
Step 22


Use an electric drill.



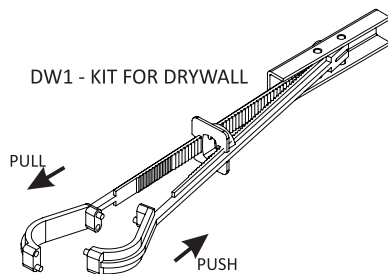
2. Separate the two nylon parts of the device.

Step 23



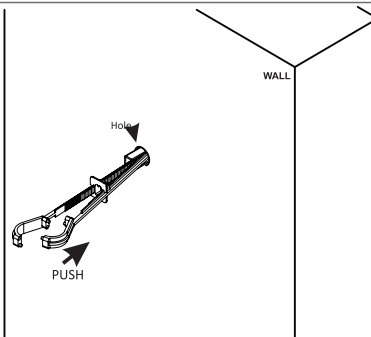
3. Fold the metal part as shown below.

Step 24



4. Insert the device into the hole made on the drywall.

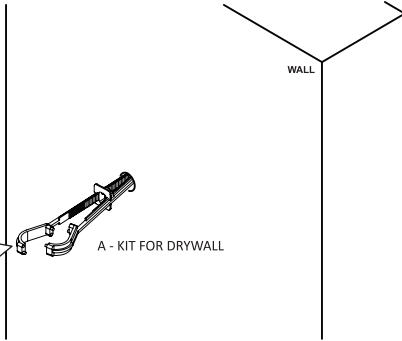
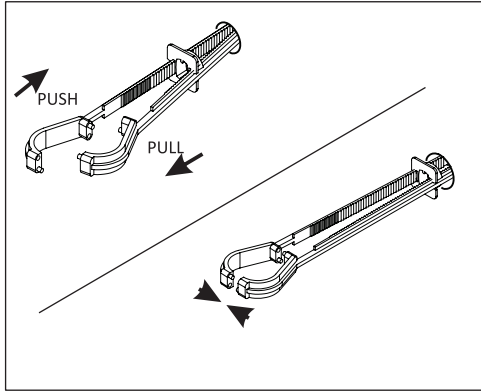
Step 25



Safe and Security

5. As the device inserted into the drywall pull the nylon pieces as below and fitting the two parts.

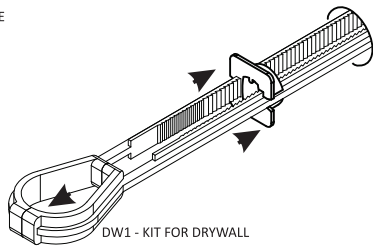
Step 26



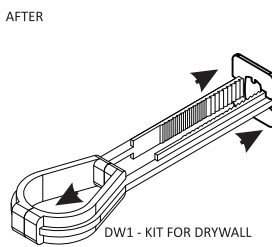
6. Adjust the metal part detached to the hole made on the drywall. For this necessary to pull the handle on the opposite direction.

Step 27

BEFORE

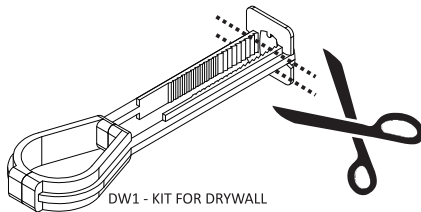


AFTER

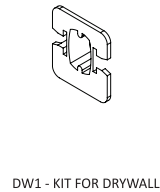


7. Cut the space nylon parts of the device.

BEFORE



AFTER

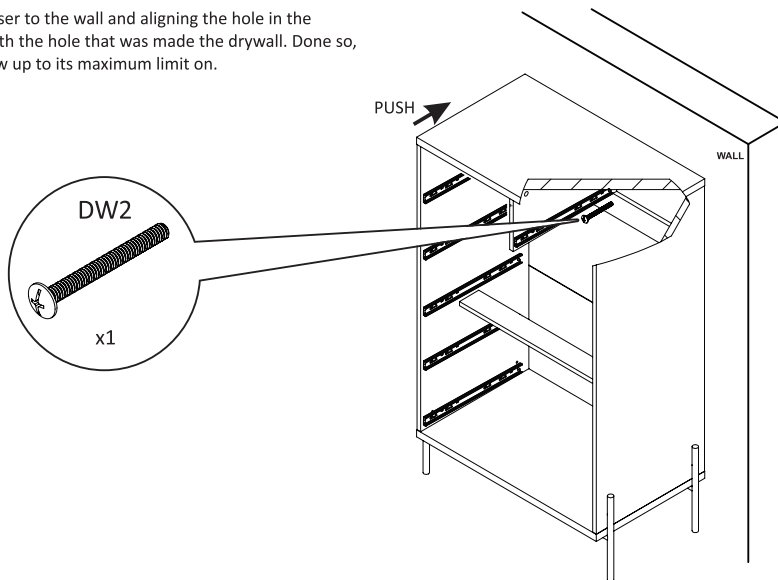


Step 28

Safe and Security

Step 29

8. Put the dresser to the wall and aligning the hole in the safety block with the hole that was made the drywall. Done so, insert the screw up to its maximum limit on.



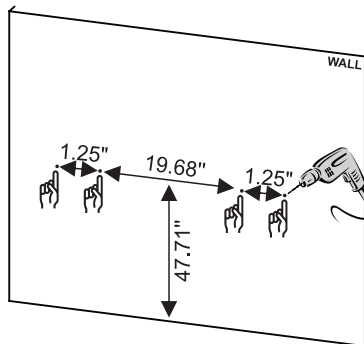
KIT FOR MASONRY

Step 30

1. Make holes on the wall following the model below and specifications:

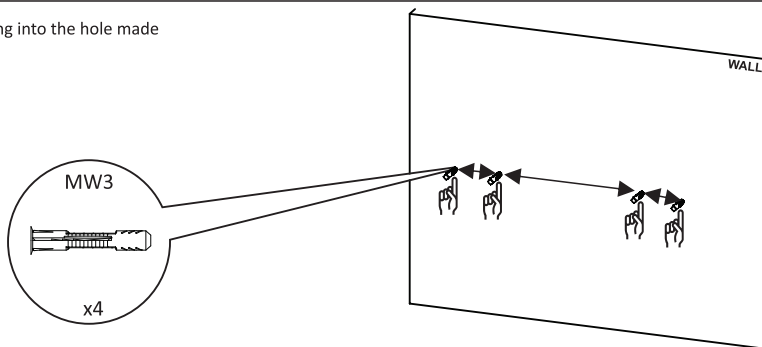
- \varnothing 8mm (5/16") drill.
- ∇ Depth of 50mm (1.96").


Use an electric drill.



2. Insert the bushing into the hole made on the wall.

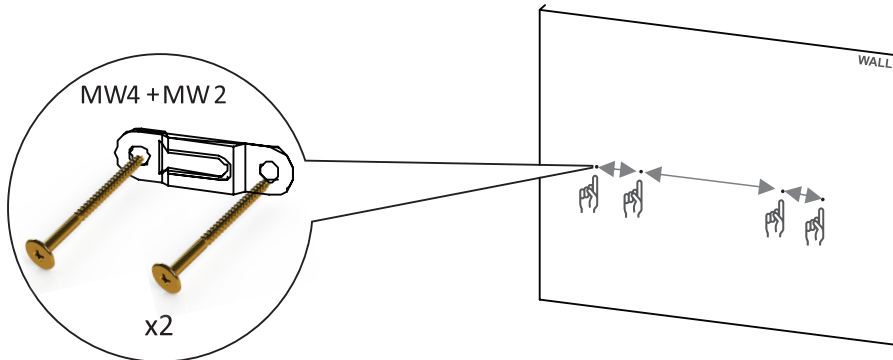
Step 31



Safe and Security

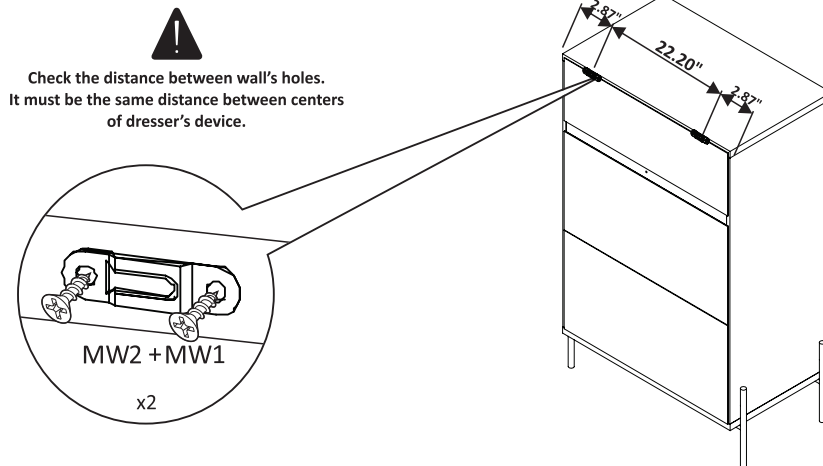
3. Put the screws into the bushings.

Step 32



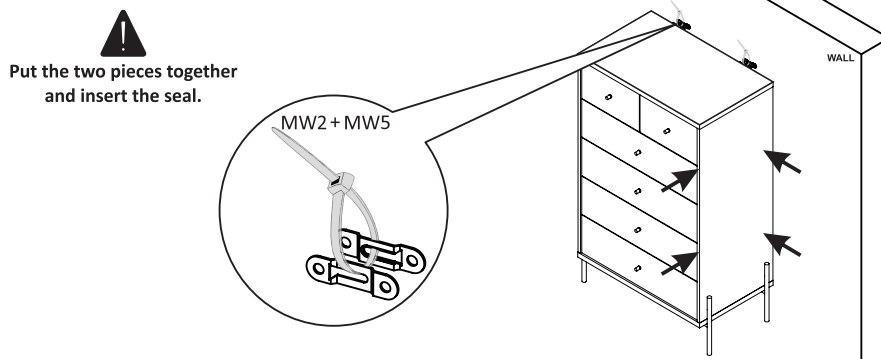
4. Put the lock on the horizontal as the pictures below.

Step 33



5. Drag the dresser carefully until you meet the screw's head.
Fit the screw into the lock as the picture below.

Step 34



TAKING GOOD CARE OF YOUR FURNITURE

Cleaning and caring instructions:

- Wipe the wood furniture down with a moist cloth to properly clean the furniture.
- Do not forget to dry your furniture out. Humidity can damage the finish or create mould.
- Chemical products are not recommended;
- Never clean the furniture with scouring powders, steel scrubber pads or any other product which can scratch its
- Furniture surfaces should not be covered with colored plastic or paper sheets.
- Avoid dragging objects on top of the furniture. They might scratch the finishing.
- Wood furniture are made of mould and termites resistant materials, however, it is recommended to use termiticides in infested places before installing the furniture.
- Avoid furniture exposure to direct Sun light. Drapers suggested.