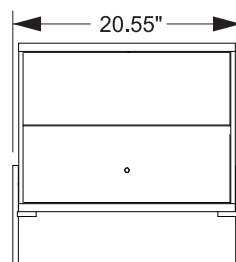
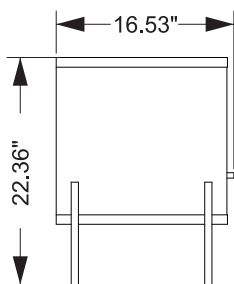


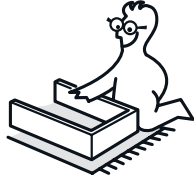
MANHATTAN
COMFORT

Joy Nightstand

Model # 350481, 350482, 350483, 350484

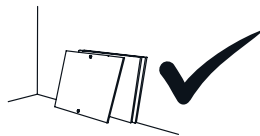
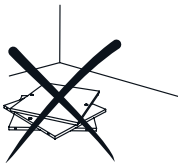


CÓD.: 37440 - 04/06/2018



For Best Results

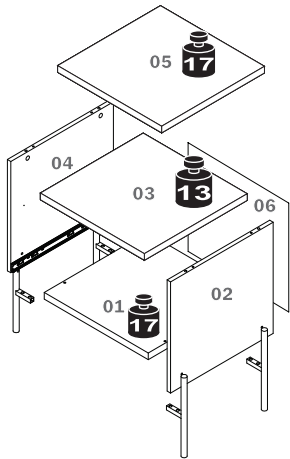
- Do not throw away packaging materials until assembly is complete.
- Assemble item on a soft surface, such as cardboard or carpet, to protect finish.
- Proper assembly requires two people.



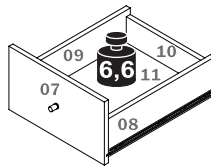
Tools Required



Included in this Package



01	LOWER TOP	x1
02	RIGHT SIDE	x1
03	SHELF	x1
04	LEFT SIDE	x1
05	UPPER TOP	x1
06	BACK	x1
07	FRONT OF DRAWER	x1
08	RIGHT SIDE OF THE DRAWER	x1
09	LEFT SIDE OF THE DRAWER	x1
10	BACK OF DRAWER	x1
11	DRAWER BOTTOM	x1
12	FITTINGS	x1



12 Fittings

 A - HANDLE x1	 B - MINIFIX SCREW x10	 C - 15MM CONNECTOR x10	 D - 21MM SCREW COVER (MINIFIX) x06	 E - 7X50 SCREW x4	 F - ALLEN WRENCH x1
 G - 6X30MM WOODEN DOWEL x12	 H - 1/4X25MM SCREW x4	 I - 1/4X35MM SCREW x8	 J - M5X25MM SCREW x1	 K - 3,5X40MM SCREW x4	
 L - FEET KIT x1	 M - 10X10 NAIL x26	 N - WHITE GLUE x1			

Where to find the items

Box 01		
01	06	11
02	07	12
03	08	
04	09	
05	10	

Assembly time: 100 min

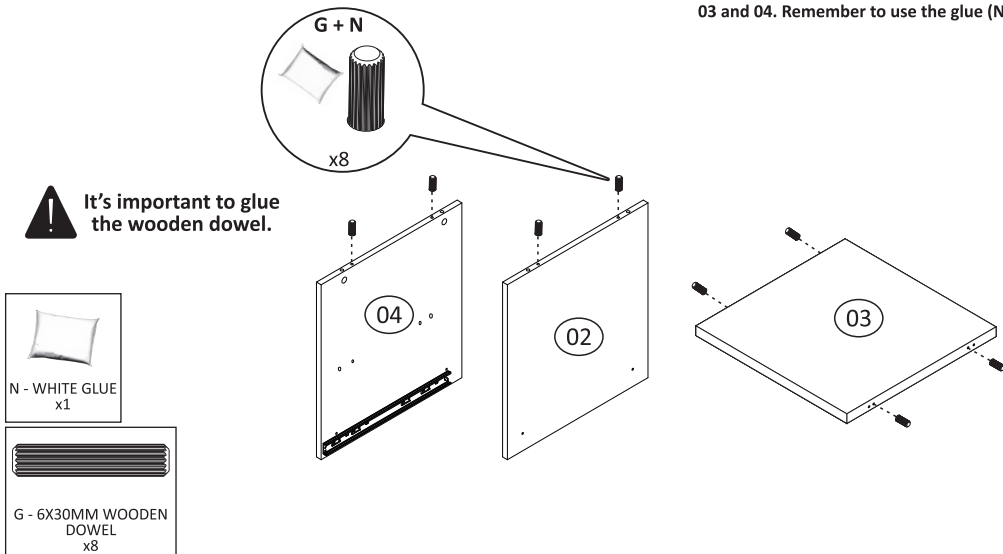
Tip of the number of people required for product assembly



Prepare the pieces

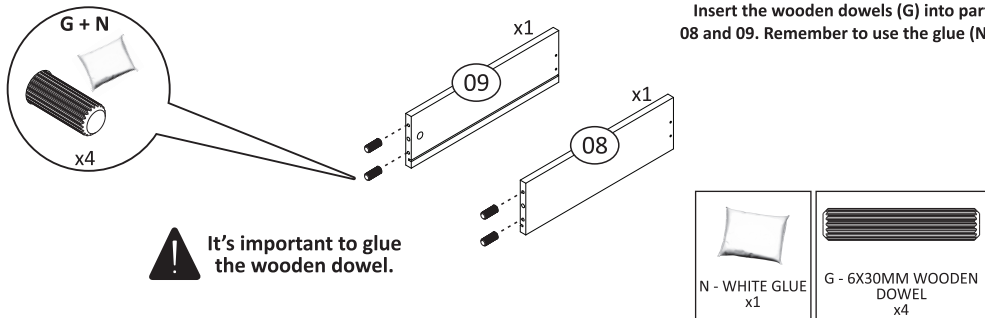
Step 1

Insert the wooden dowels (G) into parts 02, 03 and 04. Remember to use the glue (N).



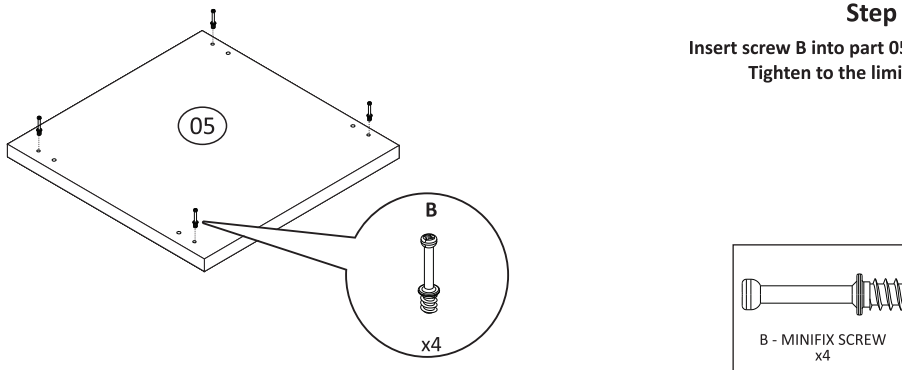
Step 2

Insert the wooden dowels (G) into parts 08 and 09. Remember to use the glue (N).



Step 3

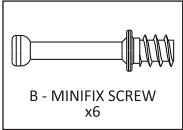
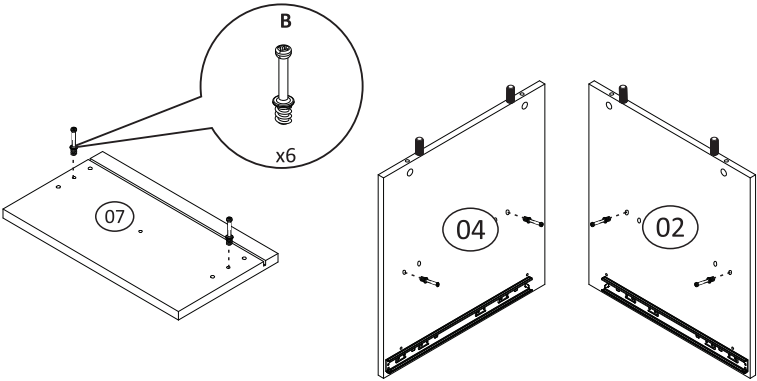
Insert screw B into part 05. Tighten to the limit.



Prepare the pieces

Step 4

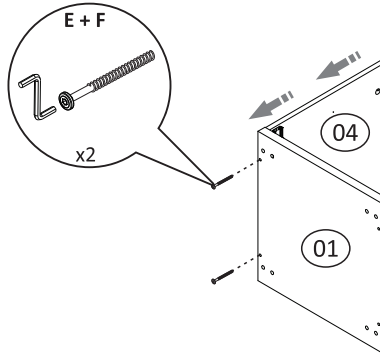
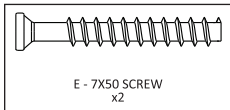
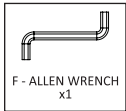
Insert screw B into parts 02, 04 e 07.
Tighten to the limit.



Assembly

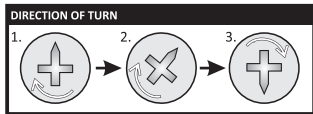
Step 5

Put the parts 01 and 04 together and use two screws (E) and the Allen wrench (F).



Step 6

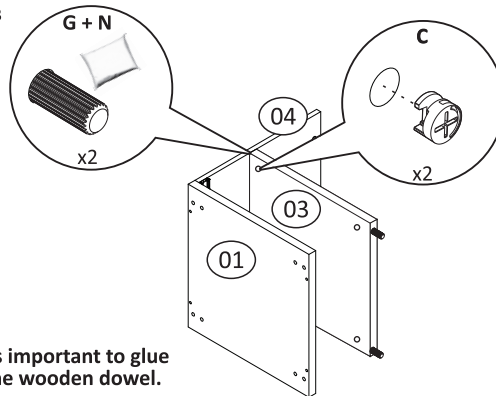
Put the glue (N) in the wooden dowel (G) already fixed into part 03. Then put part 03 together with part 04. Insert the two minifix connectors (C) in part 03 and rotate clockwise as shown. Tighten to the limit.



Tighten the minifix up to the limit to assembly don't be slack.

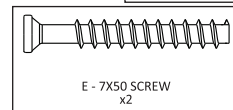
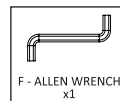
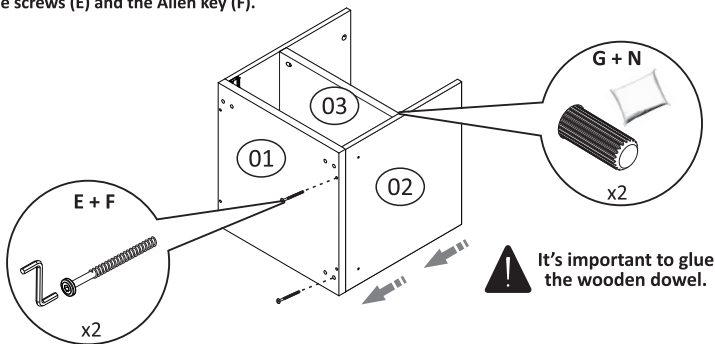


It's important to glue the wooden dowel.



Step 7

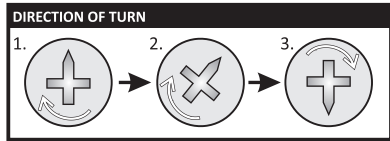
Fitting part 2 to parts 1 and 3. Secure t parts 1 and 2 with the screws (E) and the Allen key (F).



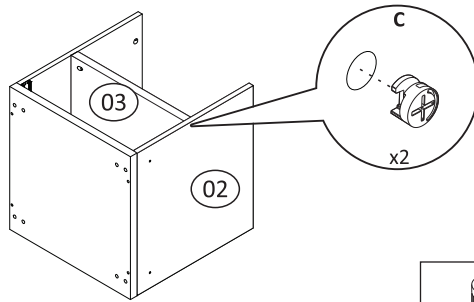
Assembly

Step 8

Insert the two minifix connectors (C) in part 03 and rotate clockwise as shown. Tighten to the limit.

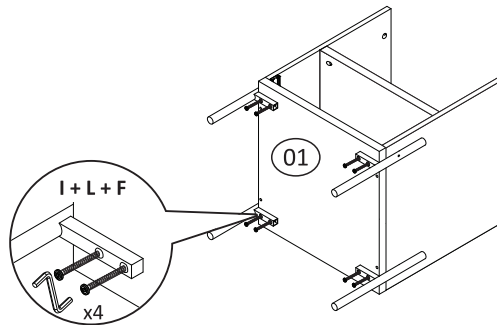
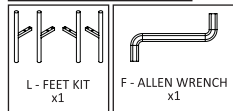
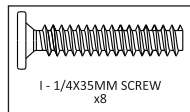


Tighten the minifix up to the limit to assembly don't be slack.



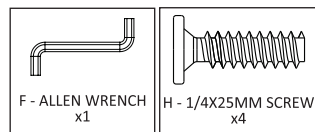
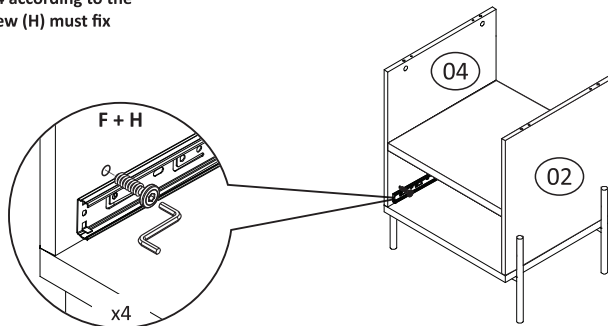
Step 9

Put feet on part 01 as the drawing. On each foot on the side (L), use two screws (I) with the Allen wrench (F).



Step 10

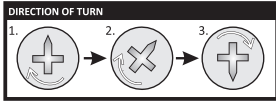
Insert the screw (H) through parts 02 and 04 according to the drawing using the Allen wrench (F). The screw (H) must fix parts 02 and 04 on the feet (L).



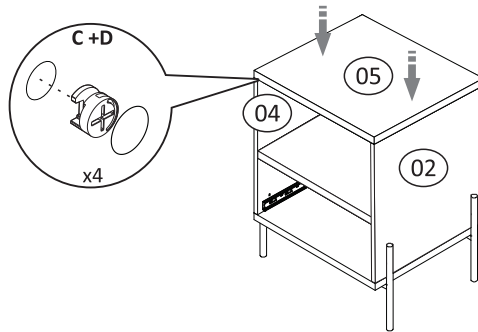
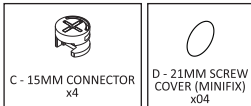
Assembly

Step 11

Fit part 05 on the sides 02 and 04. Insert the four minifix connectors (C) on parts 02 and 04 according to the indicated drawing and turn clockwise. Tighten to the limit.

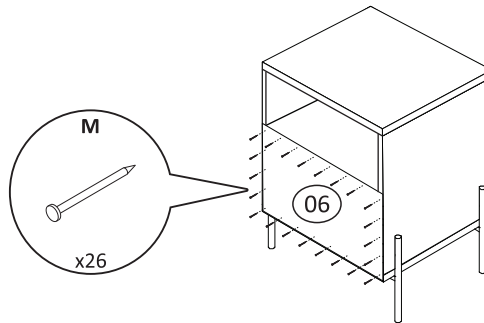
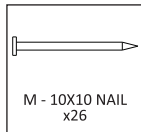


Tighten the minifix up to the limit to assembly don't be slack.



Step 12

Fix the back 06 to the bottom of the nightstand using the nails (M).

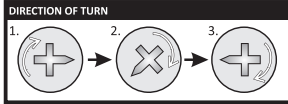


Drawers

Step 13

Fit parts 08 and 09 in part 07.

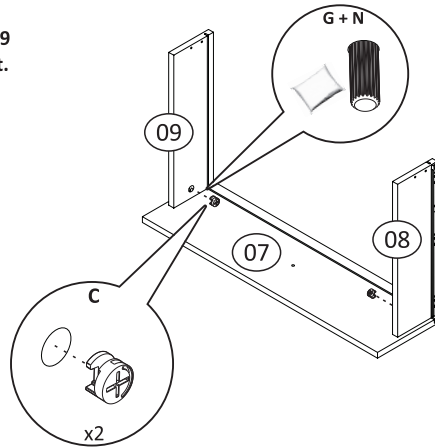
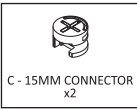
Insert two minifix connectors (C) on parts 08 and 09 as shown and rotate clockwise. Tighten to the limit.



Tighten the minifix up to the limit to assembly don't be slack.

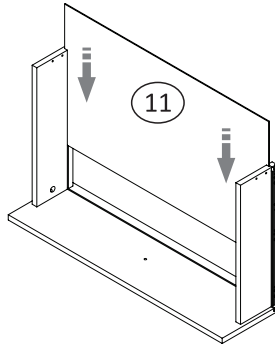


It's important to glue the wooden dowel.



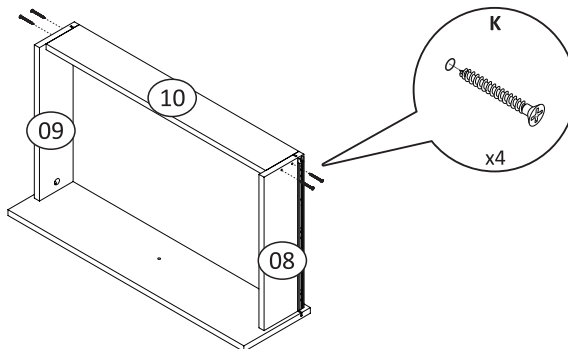
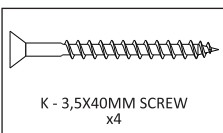
Step 14

Insert the drawer bottom 11 into the drawer.



Step 15

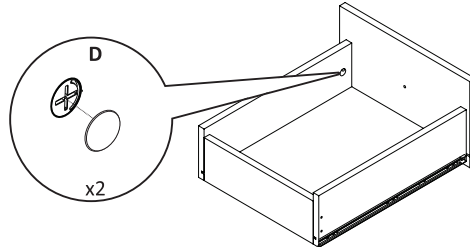
Fix parts 08 and 09 to part 10 using four screws (K).



Drawers

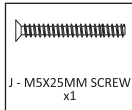
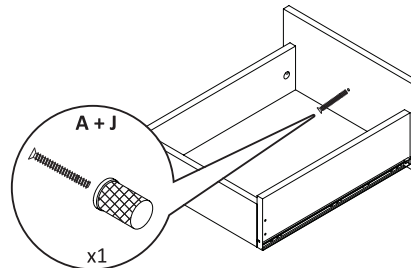
Step 16

Put the cover (D)
to the minifix connectors (C) in the drawer.



Step 17

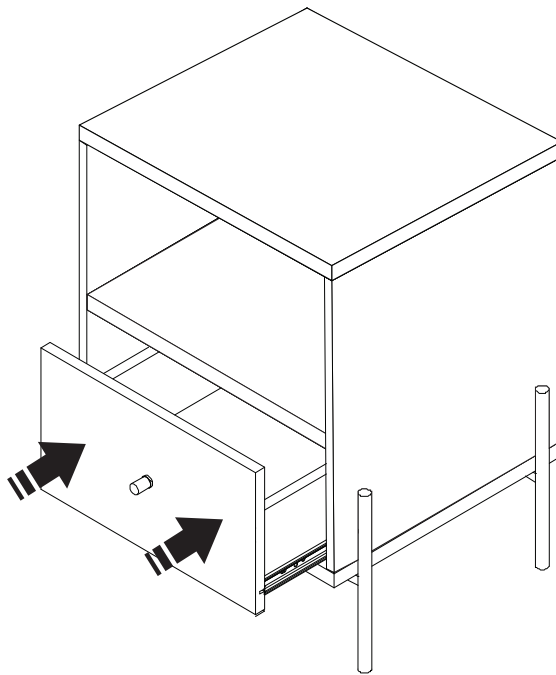
Insert the screw (J) from inside the drawer,
tighten into the handle (A) on the outside.



Drawers

Step 18

Inserts the drawers of nightstand.
Make sure the slides are firmly.



TAKING GOOD CARE OF YOUR FURNITURE

Cleaning and caring instructions:

- Wipe the wood furniture down with a moist cloth to properly clean the furniture.
- Do not forget to dry your furniture out. Humidity can damage the finish or create mould.
- Chemical products are not recommended;
- Never clean the furniture with scouring powders, steel scrubber pads or any other product which can scratch its
- Furniture surfaces should not be covered with colored plastic or paper sheets.
- Avoid dragging objects on top of the furniture. They might scratch the finishing.
- Wood furniture are made of mould and termites resistant materials, however, it is recommended to use termiticides
in infested places before installing the furniture.
- Avoid furniture exposure to direct Sun light. Drapers suggested.