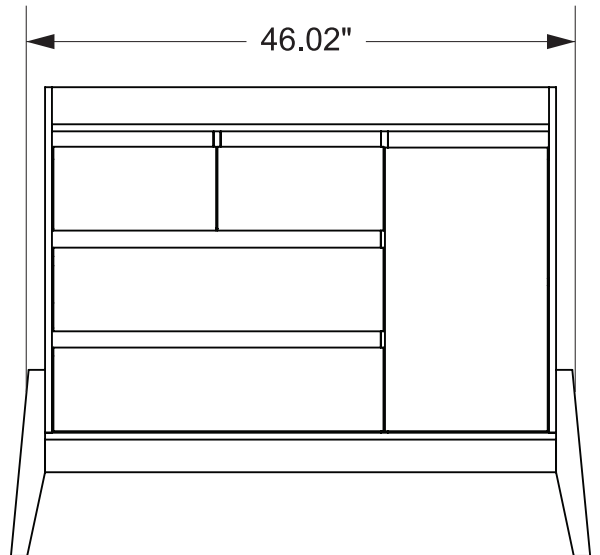
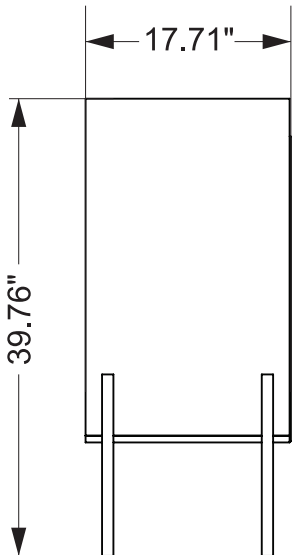
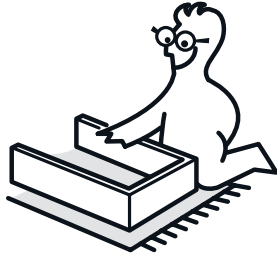
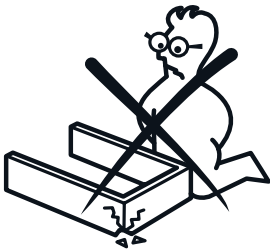


MANHATTAN
COMFORT

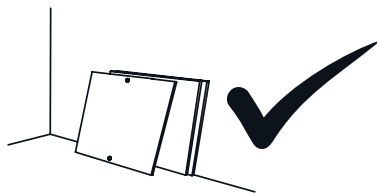
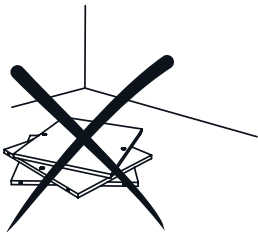
Essence Horizontal Dresser



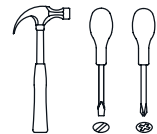


For Best Results

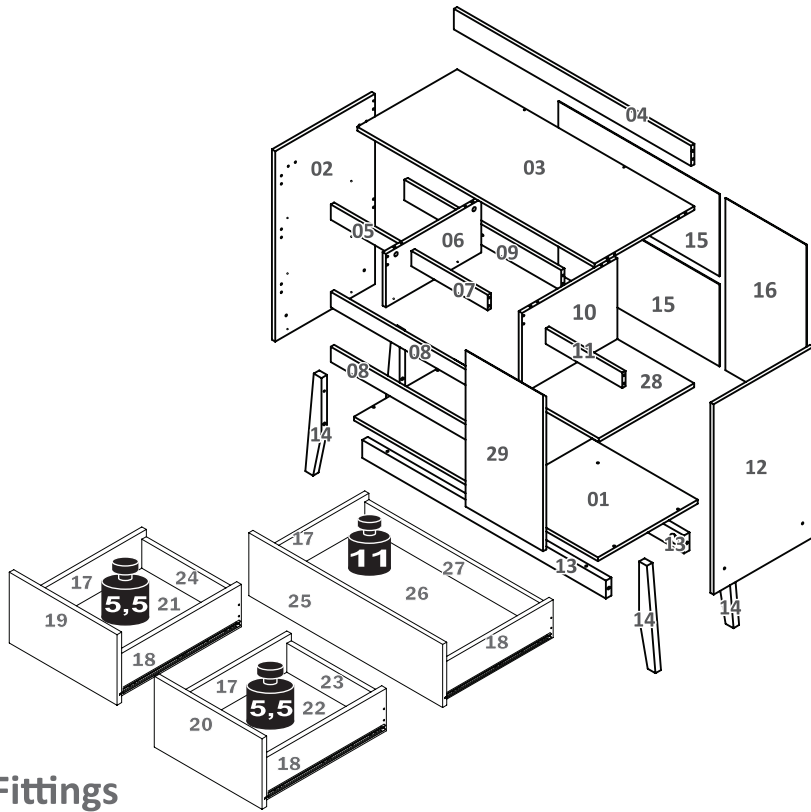
- Do not throw away packaging materials until assembly is complete.
- Assemble item on a soft surface, such as cardboard or carpet, to protect finish.
- Proper assembly requires two people.



Tools Required

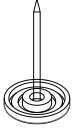
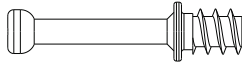



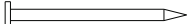

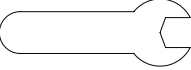
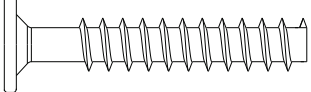


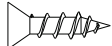
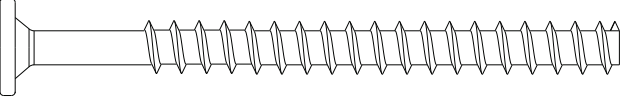
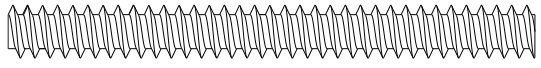

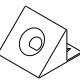
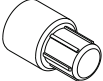
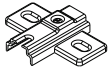
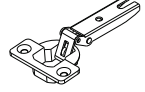

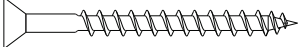


Included in this Package



01	LOWER TOP	x1
02	LEFT SIDE	x1
03	UPPER TOP	x1
04	BATTEN OF THE UPPER TOP	x1
05	SMALL LEFT UPPER FRAME	x1
06	SMALL DIVISION	x1
07	SMALL CENTRAL UPPER FRAME	x1
08	BIG UPPER FRAME	x2
09	SECURITY BATTEN	x1
10	BIG DIVISION	x1
11	SMALL RIGHT UPPER FRAME	x1
12	RIGHT SIDE	x1
13	BATTEN OF FEET	x2
14	FEET	x4
15	BACK OF DRAWER	x2
16	BACK OF THE DOOR	x1
17	LEFT DRAWER SIDE	x4
18	RIGHT DRAWER SIDE	x4
19	LEFT FRONT OF DRAWER	x1
20	RIGHT FRONT OF DRAWER	x1
21	SMALL LEFT DRAWER BOTTOM	x1
22	SMALL RIGHT DRAWER BOTTOM	x1
23	SMALL RIGHT BACK OF THE DRAWER	x1
24	SMALL LEFT BACK OF THE DRAWER	x1
25	BIG FRONT OF THE DRAWER	x2
26	BIG DRAWER BOTTOM	x2
27	BIG BACK OF THE DRAWER	x2
28	SHELF	x1
29	DOOR	x1
30	FITTINGS	x1

30 Fittings

 A - CIRCULAR PAD x4	 B - MINIFIX SCREW x18	 C - 15MM CONNECTOR x18	 D - 21MM SCREW COVER (MINIFIX) x18	 E - 6X30MM WOODEN DOWEL x52	 F - 10X10 NAIL x45
 G - WHITE GLUE x1	 H - WRENCH x1	 I - 7X40 SCREW x10	 J - SUPPORT PIECE FOR SIX SIDES NUT x4	 K - SCREW NUT SIX SIDES x4	 L - 3,5X14MM SCREW x12
 M - 7X80MM SCREW x6		 N - THREADED BAR x4		 O - ALLEN WRENCH x1	
 P - DRAWER BOTTOM SUPPORT x4	 Q - SHELF SUPPORT x4	 R - 12MM DOOR WING x2	 S - 26MM FRAME WING x2	 T - FIXER FOR BACK WARDROBE x8	 U - 3,5X40MM SCREW x8

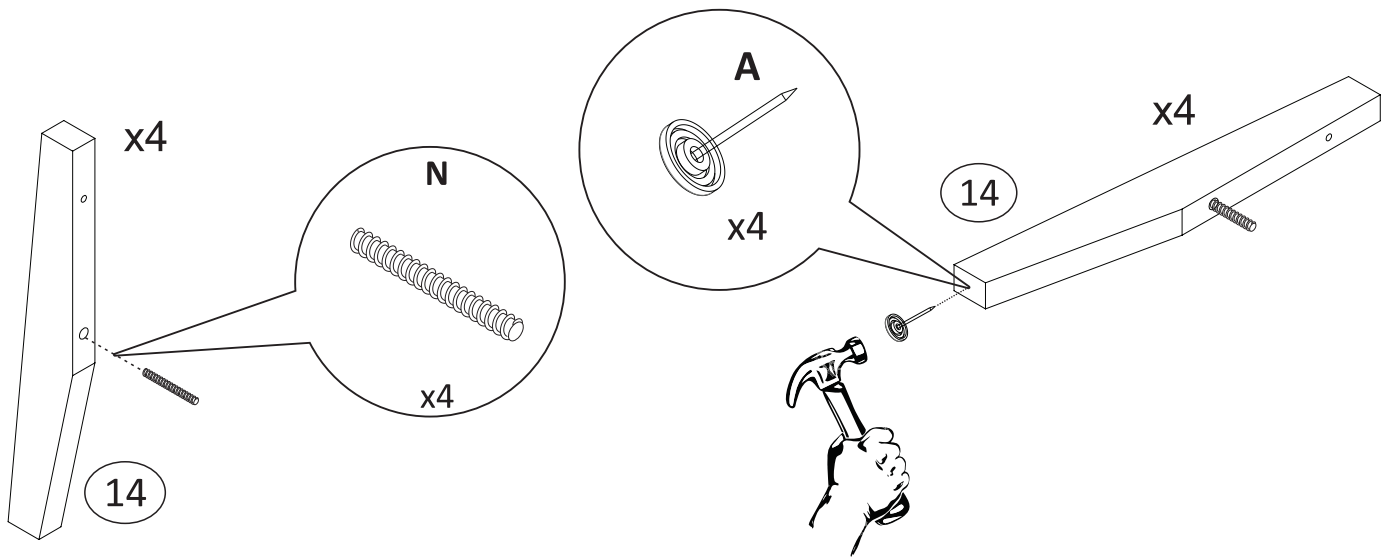
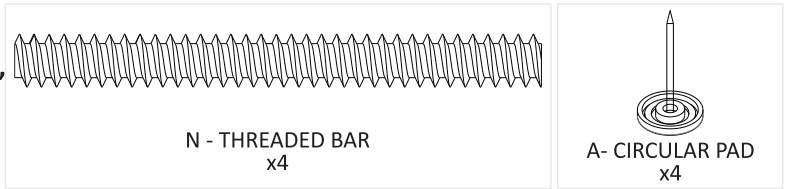
Where to find the items

Box 01					
01	06	11	16	21	26
02	07	12	17	22	27
03	08	13	18	23	28
04	09	14	19	24	29
05	10	15	20	25	30

Prepare the pieces

Step 1

Insert four threaded bar (N) on the sides of the feet (14), then, nail four circular pad (A) below of the feet (14) using a hammer.

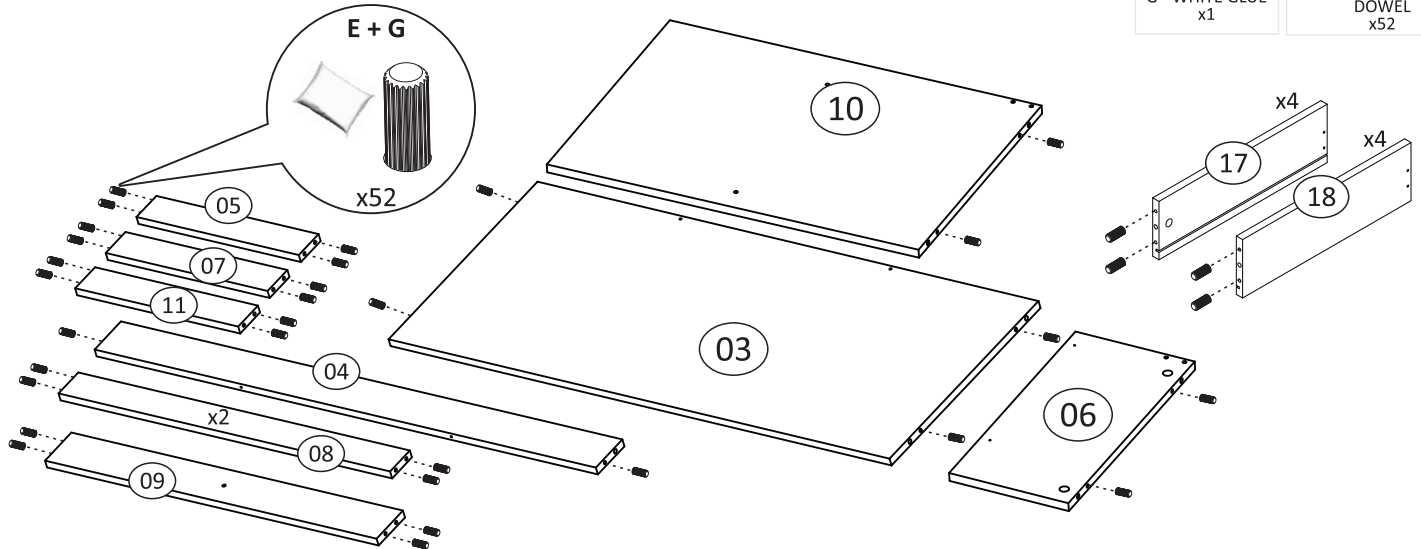


Step 2

Insert the wooden dowels (E) into parts 03, 04, 05, 06, 07, 08, 09, 10, 11, 17 and 18. Remember to use the glue (G).

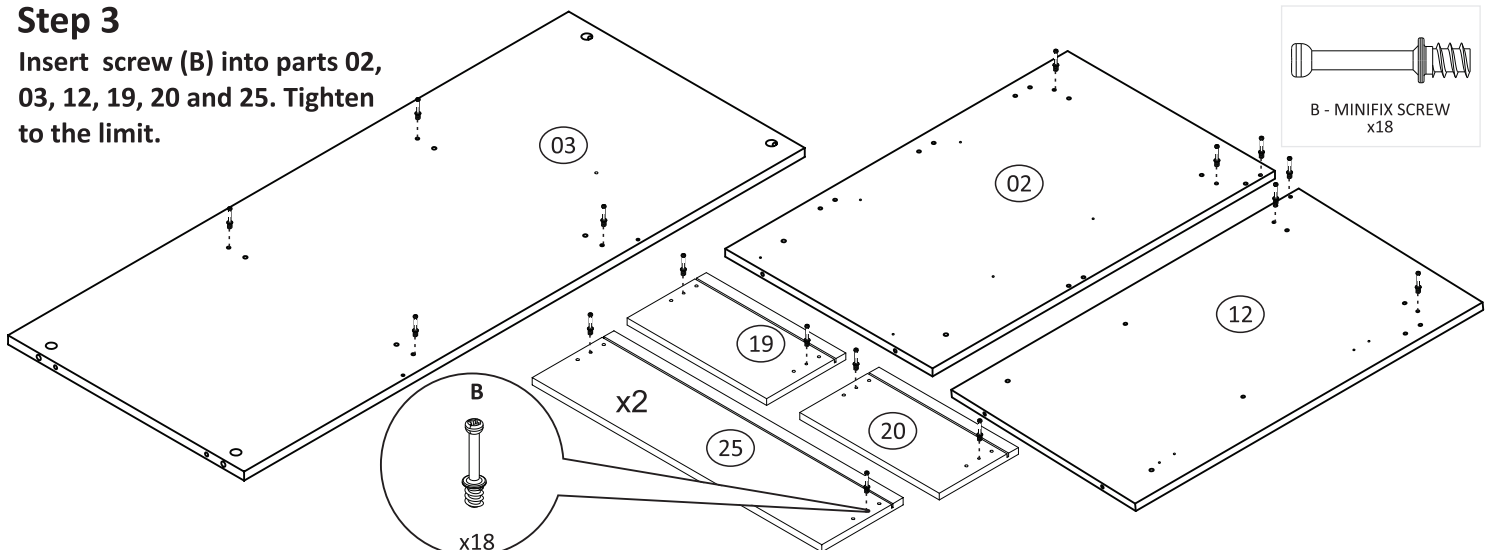
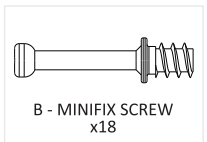


It's important to glue the wooden dowel.



Step 3

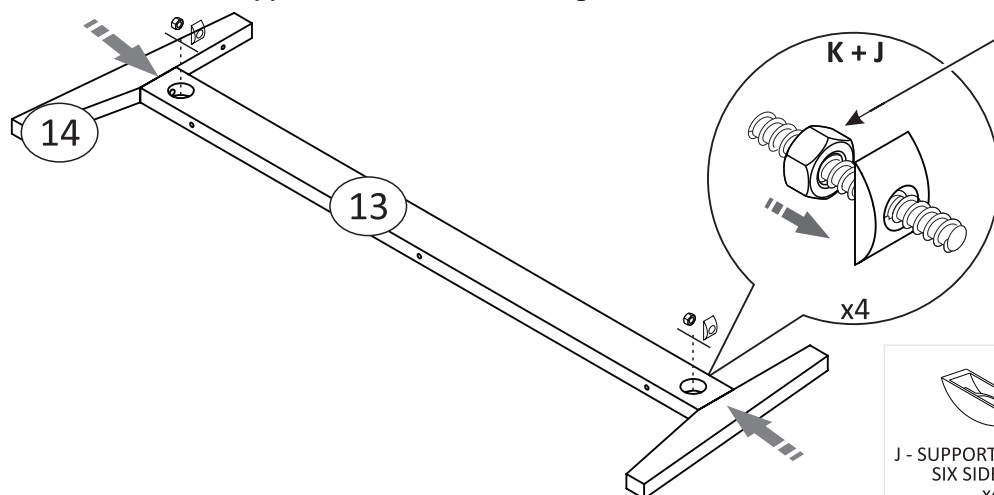
Insert screw (B) into parts 02, 03, 12, 19, 20 and 25. Tighten to the limit.



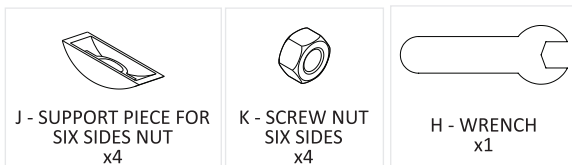
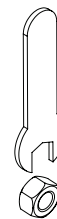
Assembly

Step 4

Fix the feet (14) to the crossbars (13) using the screw nut six sides (K) and the support piece for six sides nut (J), as shown in the drawing.

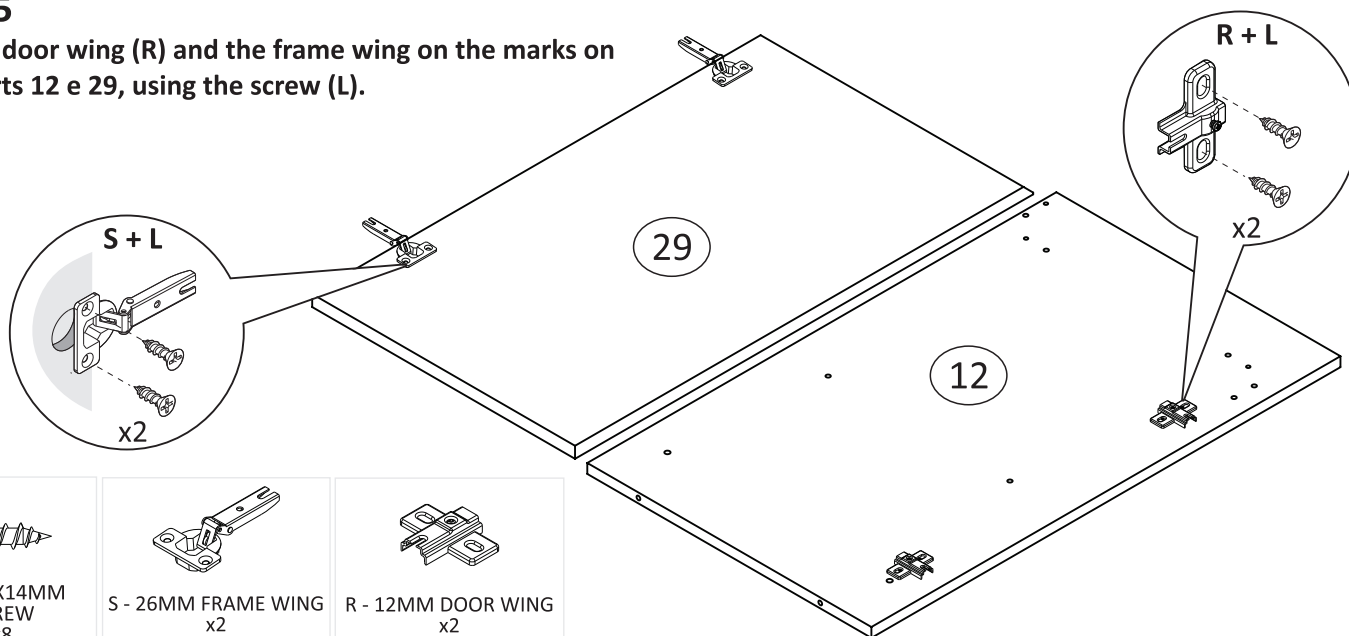


Use the 13mm wrench (H) to tighten the screw nut (K).



Step 5

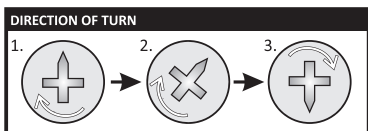
Fix the door wing (R) and the frame wing on the marks on the parts 12 e 29, using the screw (L).



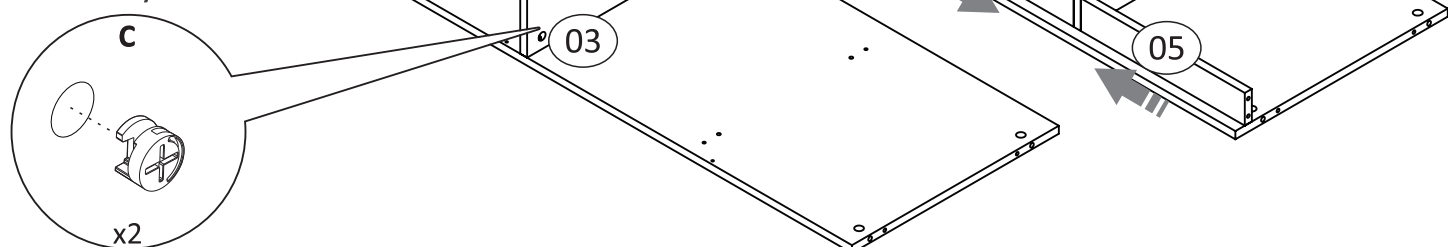
Step 6

Put the glue (G) in the wooden dowel (E) already fixed into part 05, 06 and 07. Then put part 06 together with part 03 and use two minifix connector (C) and rotate clockwise as shown. Tighten to the limit.

When it is ok, Put the parts 05 and 07 together in the parts 06.



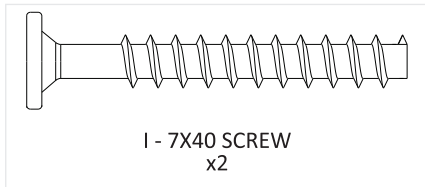
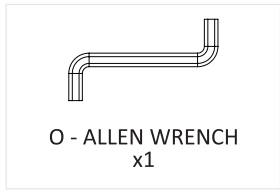
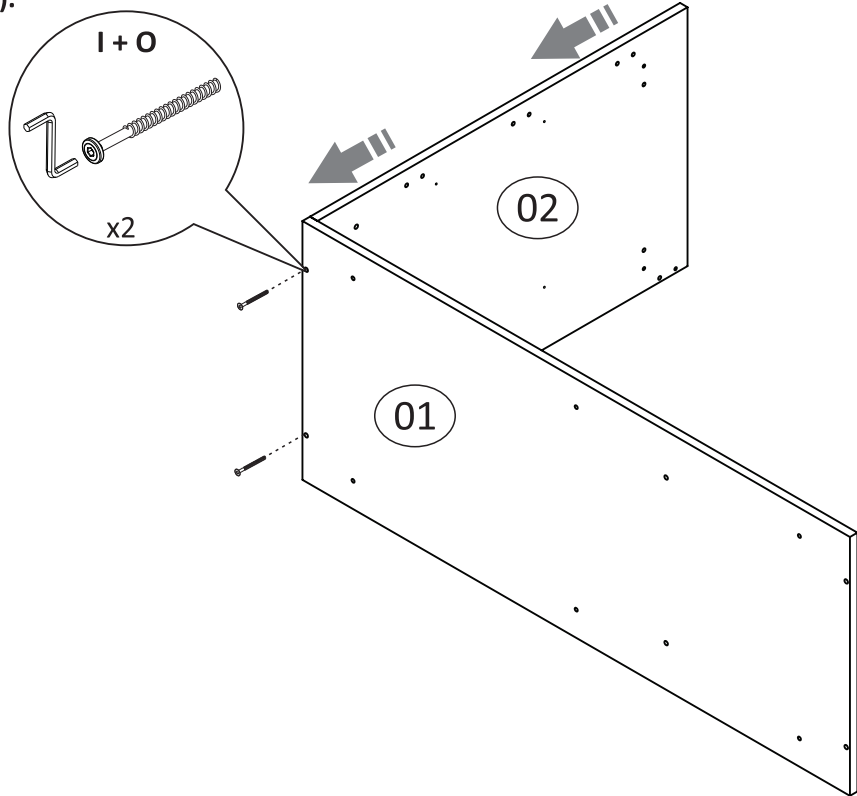
Tighten the minifix up to the limit to assembly don't be slack.



Assembly

Step 07

Put the parts 01 and 02 together and use two screws (I) and the Allen wrench (O).

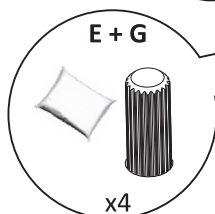
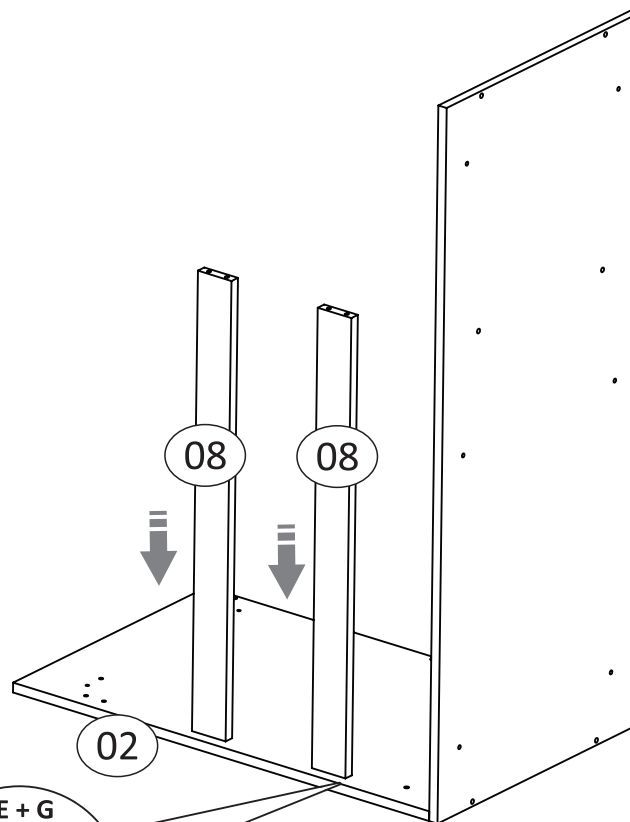


Step 08

Put the glue (G) in the wooden dowel (E) already fixed into parts 08. Then put parts 08 together with part 02.



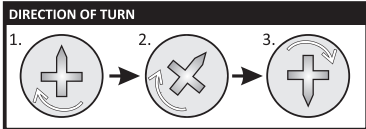
It's important to glue the wooden dowel.



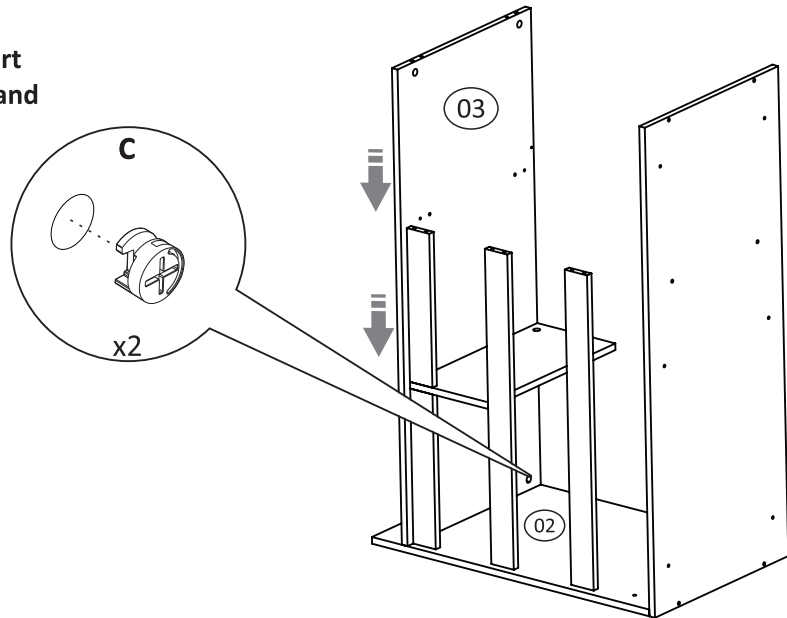
Assembly

Step 09

Put the parts 03 and 02 together and Insert the two minifix connectors (C) in part 03 and rotate clockwise as shown. Tighten to the limit.



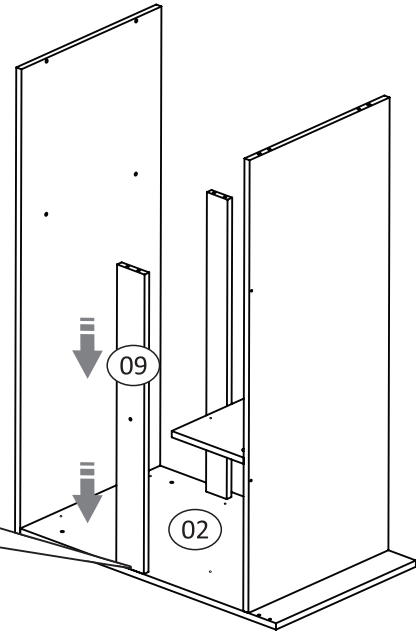
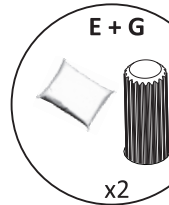
Tighten the minifix up to the limit to assembly don't be slack.



Step 10

Put the glue (G) in the wooden dowel (E) already fixed into part 09. Then put part 09 with part 02.

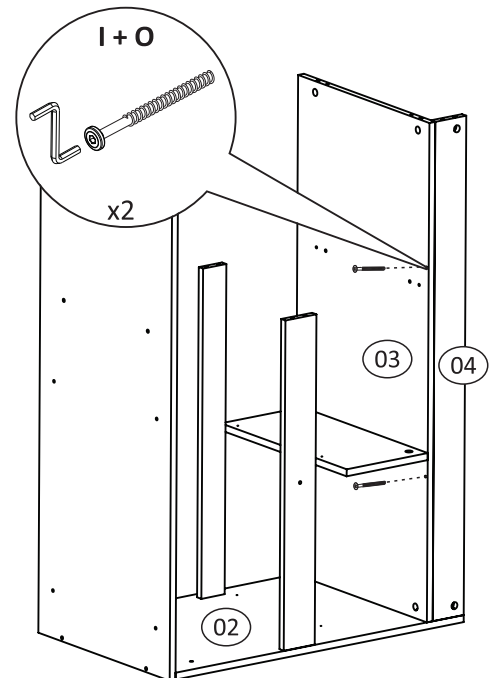
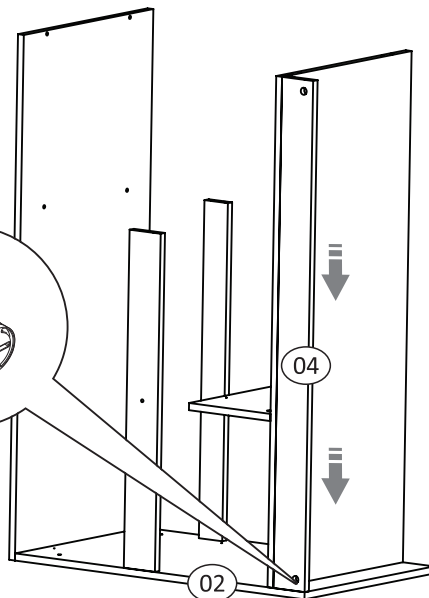
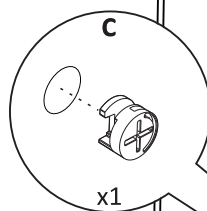
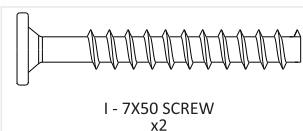
 It's important to glue the wooden dowel.



Step 11

Put the parts 04 and 02 together and Insert the two minifix connectors (C) in part 04 and rotate clockwise as shown. Tighten to the limit.

When it is ok, use two screws (I) through part 03 according to the drawing, and the Allen wrench (O)



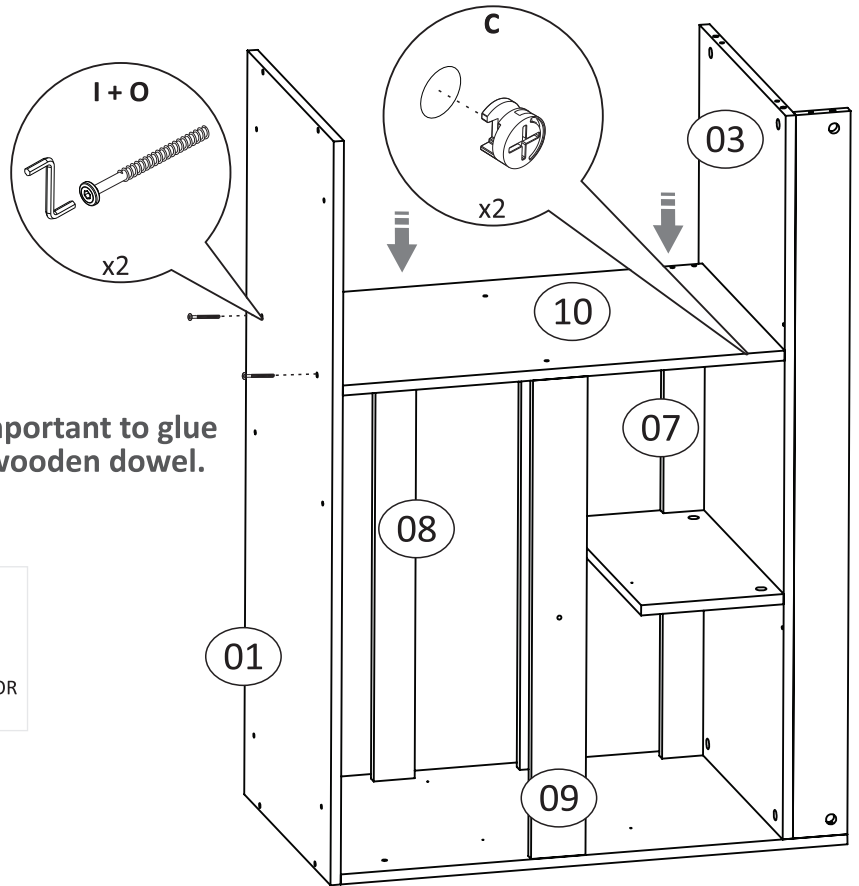
Assembly

Step 12

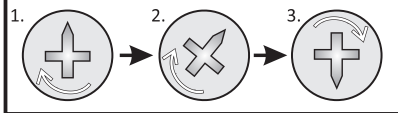
Put the parts 01, 03 and 10 together and use two screws (I) and the Allen wrench (O) through part 01.

Insert the two minifix connectors (C) in part 10 and rotate clockwise as shown. Tighten to the limit.

Remember to fit part 10 to part 07, 08, and 09 before screwing.

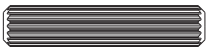


DIRECTION OF TURN



It's important to glue the wooden dowel.

Tighten the minifix up to the limit to assembly don't be slack.



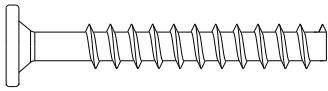
E - 6X30MM WOODEN DOWEL x10



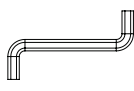
G - WHITE GLUE x1



C - 15MM CONNECTOR x2



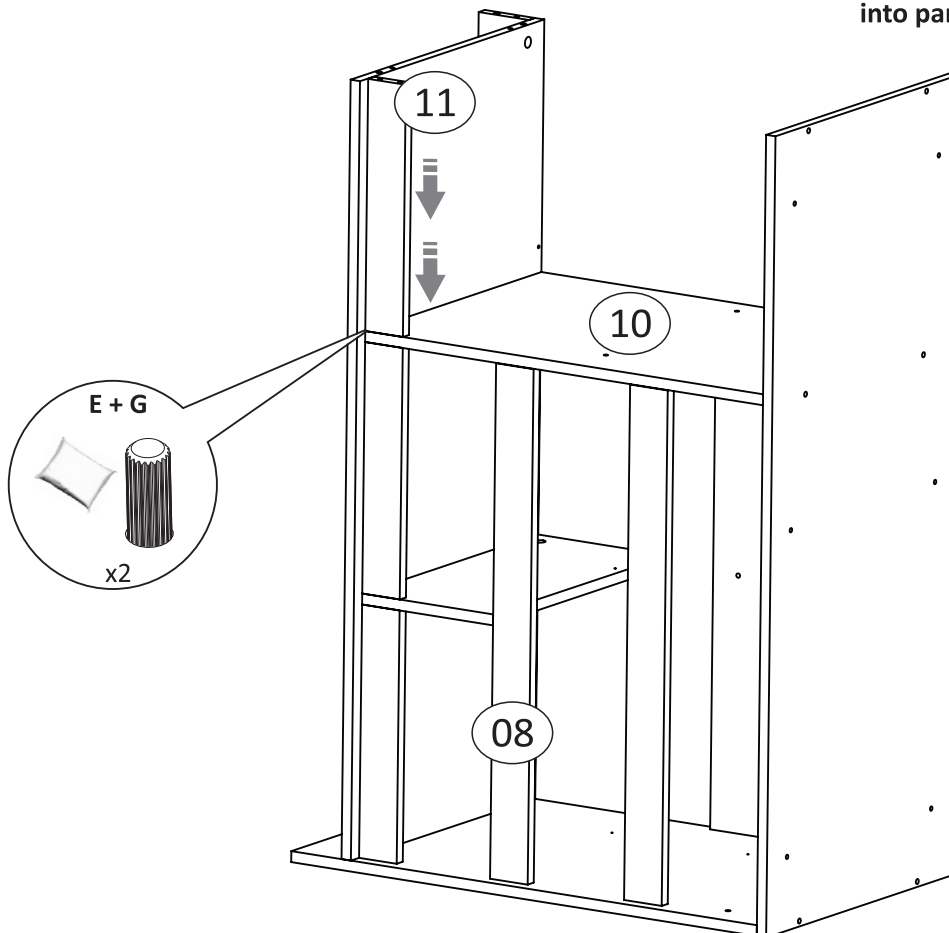
I - 7X40 SCREW x2



O - ALLEN WRENCH x1

Step 13

Put the glue (G) in the wooden dowel (E) already fixed into part 11. Then insert the part 11 with part 10.



G - WHITE GLUE x1

Assembly

Step 14

Put the parts 01 and 12 together and use two screws (I) and the Allen wrench (O).

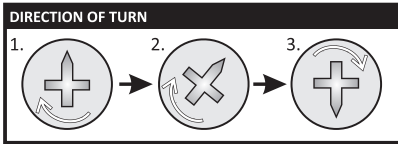
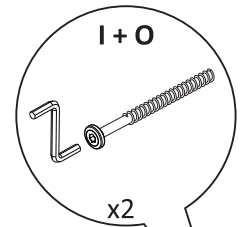
Remember to fit part 12 to part 11 before screwing.

When it is ok,

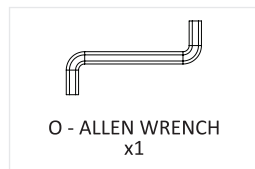
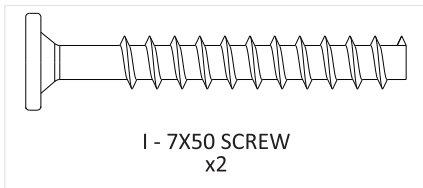
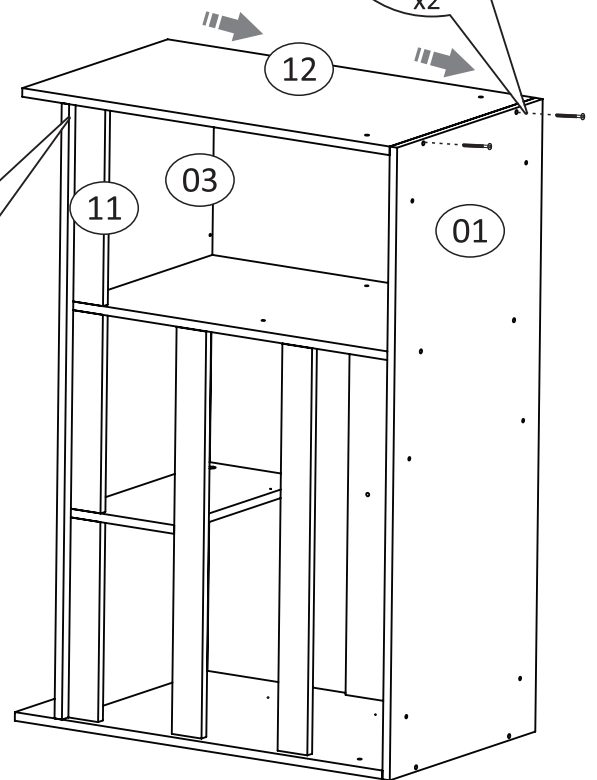
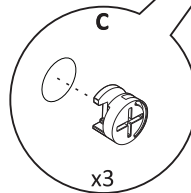
Insert the three minifix connectors (C) and rotate clockwise as shown. Tighten to the limit.



It's important to glue the wooden dowel.

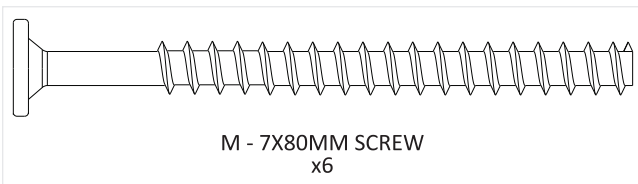
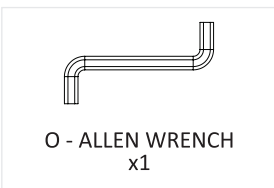
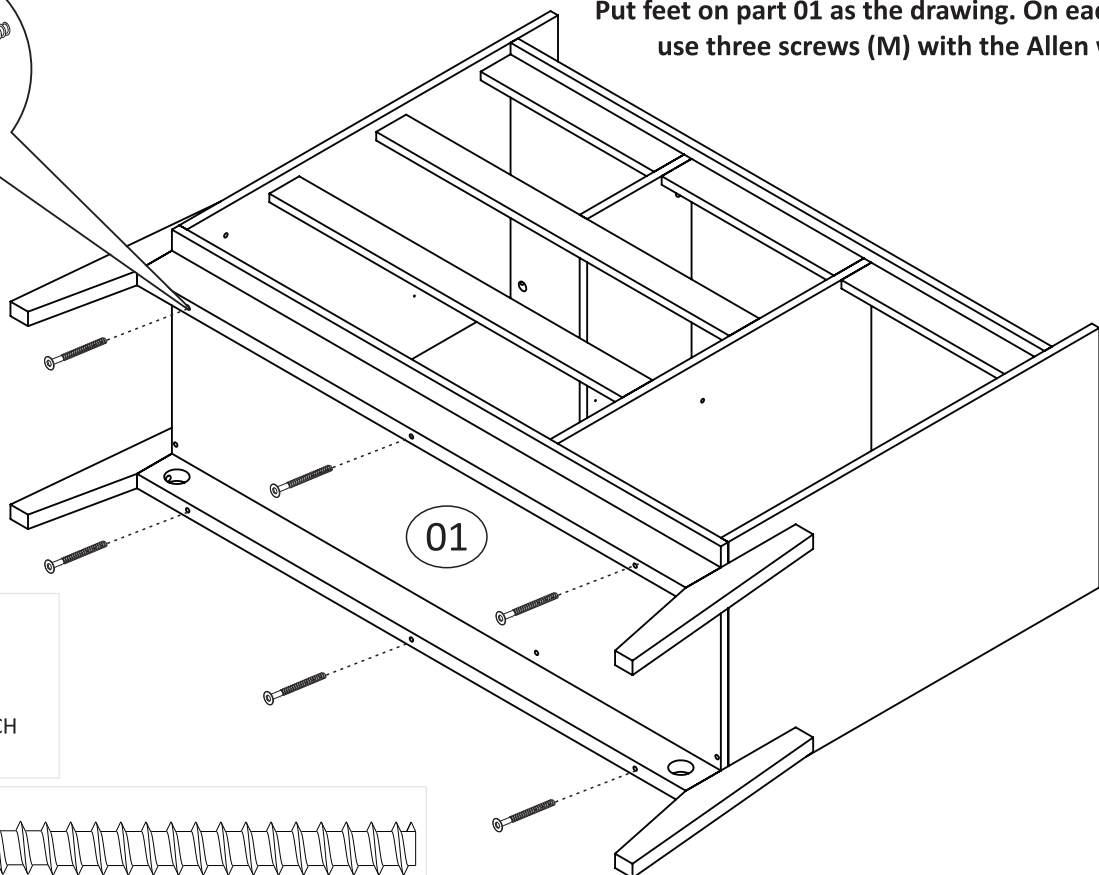
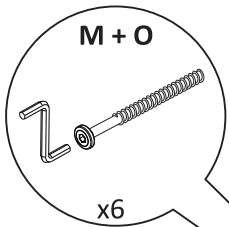


Tighten the minifix up to the limit to assembly don't be slack.



Step 15

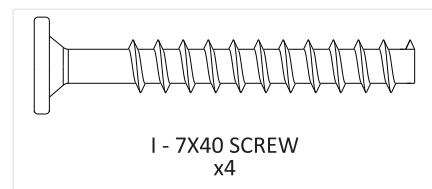
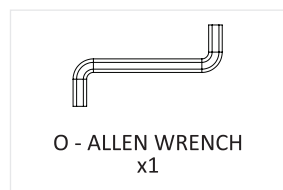
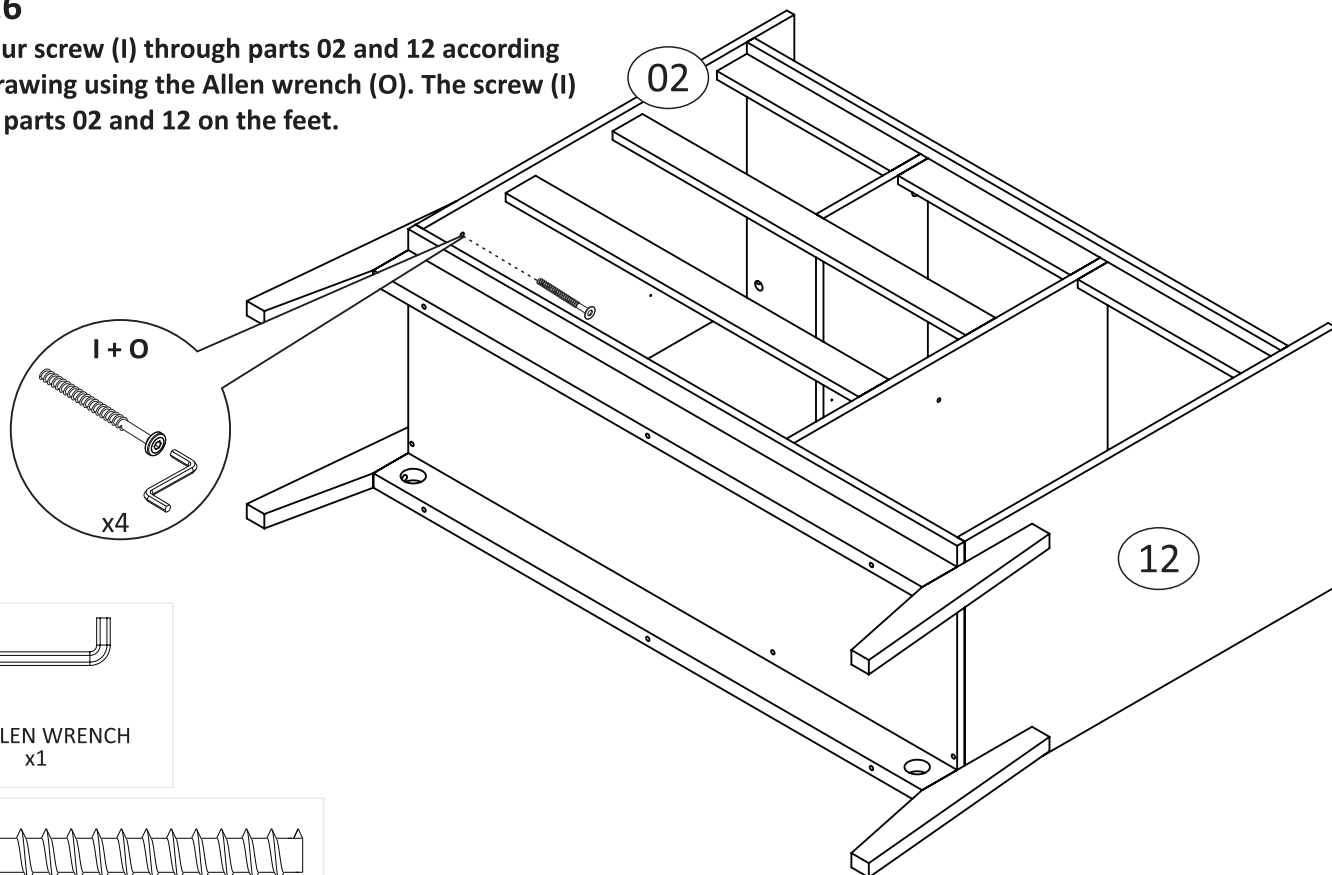
Put feet on part 01 as the drawing. On each crossbar, use three screws (M) with the Allen wrench (O).



Assembly

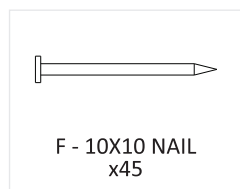
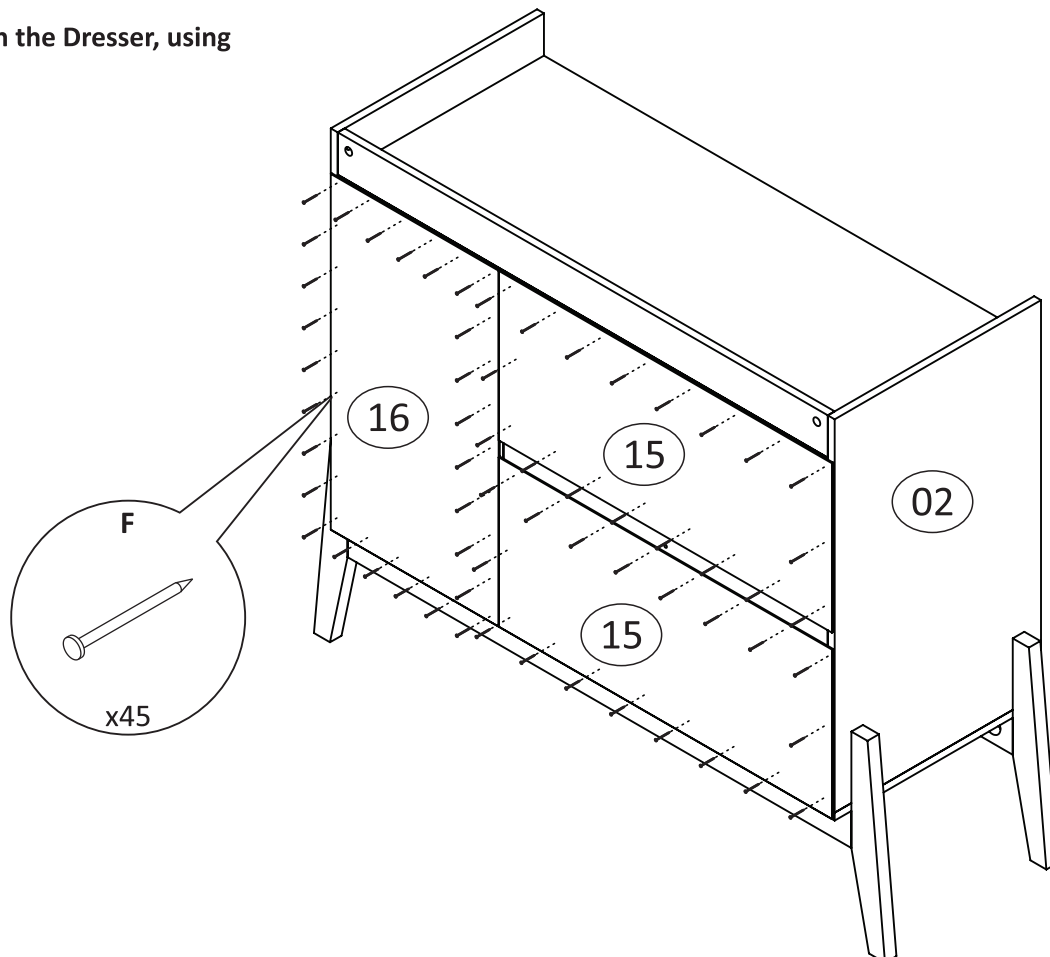
Step 16

Insert four screw (I) through parts 02 and 12 according to the drawing using the Allen wrench (O). The screw (I) must fix parts 02 and 12 on the feet.



Step 17

Fix the backs 15 and 16 in the Dresser, using the nails (F)



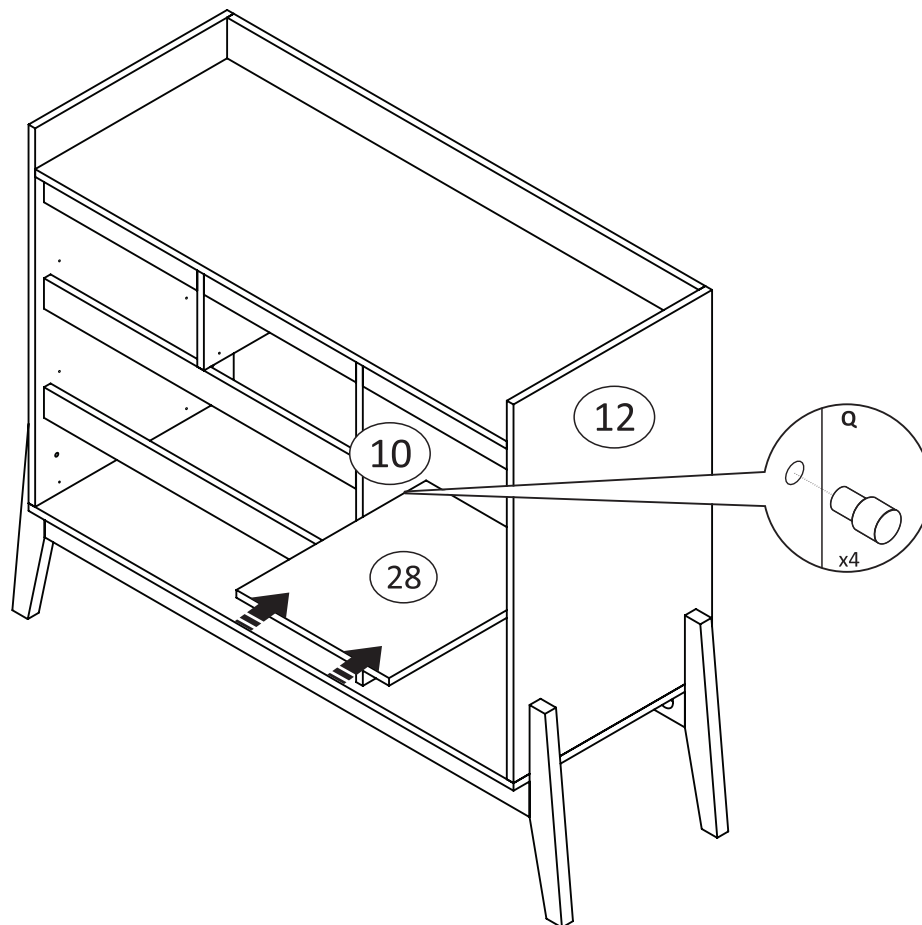
Assembly

Step 18

Insert four shelf support (Q) in parts 10 and 12 as the drawing.

When it is ok,

insert the part 28 in the dresser.



Step 19

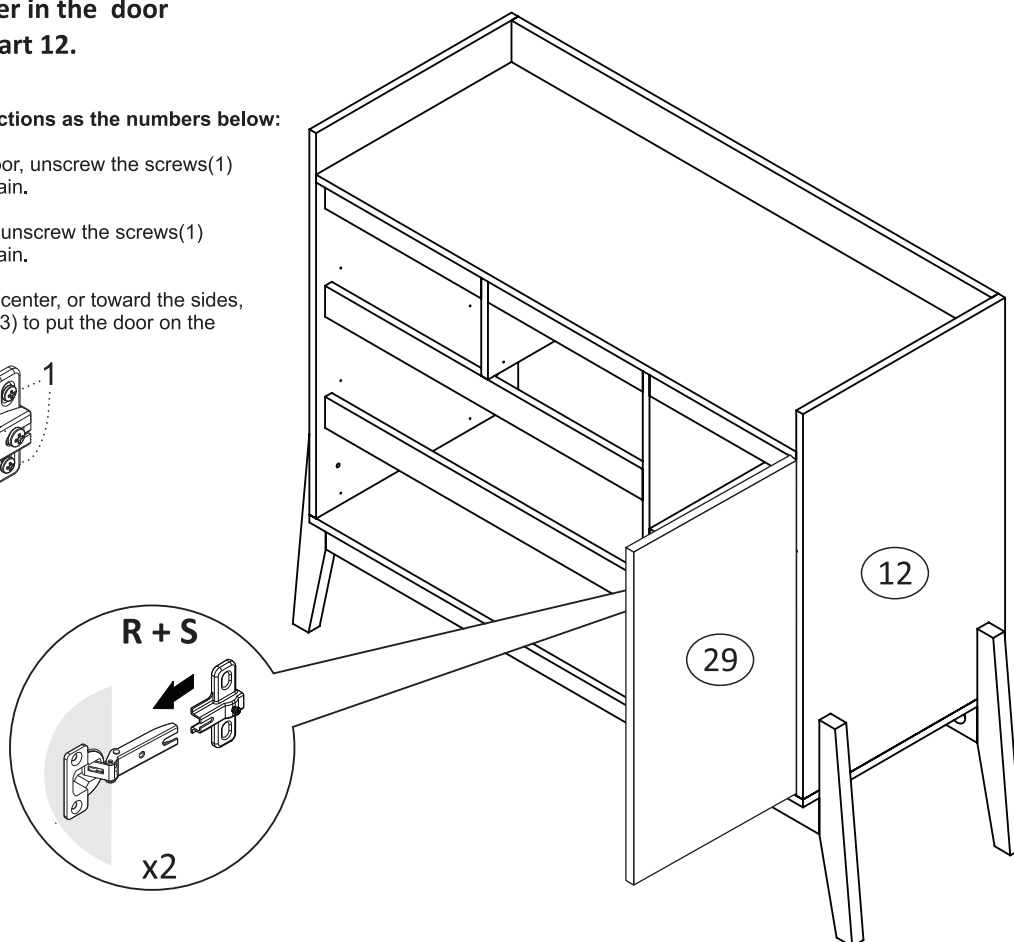
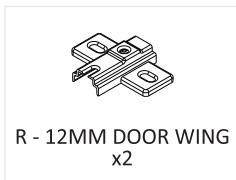
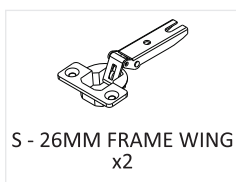
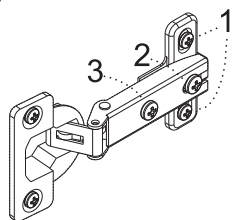
Insert the frame wing (S) together in the door wing (R) for fix the door (29) in part 12.

To adjust the doors follow the instructions as the numbers below:

1 - If you need to put up or down the door, unscrew the screws(1) put in the same position and tighten again.

2 - If you need to push or pull the door, unscrew the screws(1) put in the same position and tighten again.

3 - If you need to align the doors to the center, or toward the sides, use a philips wrench to turn the screw (3) to put the door on the correct position as you need.

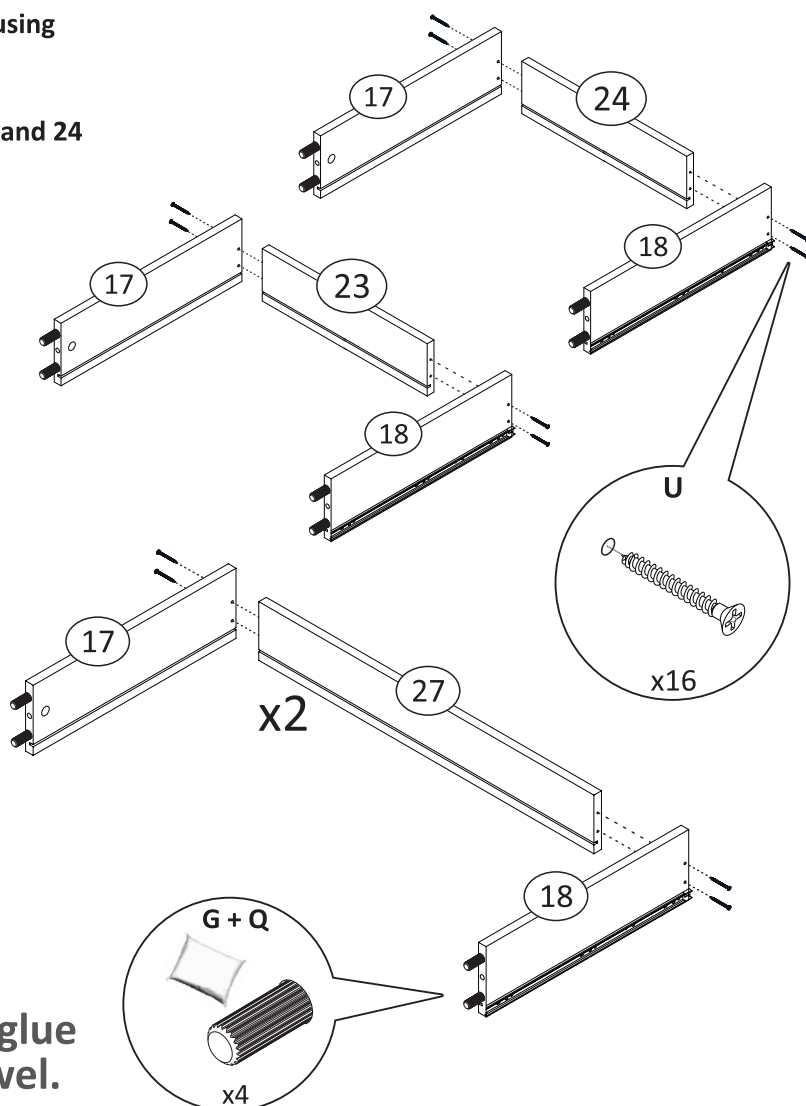
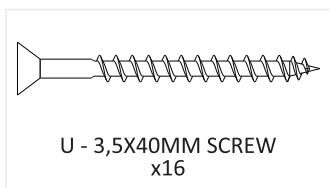


Drawers

Step 20

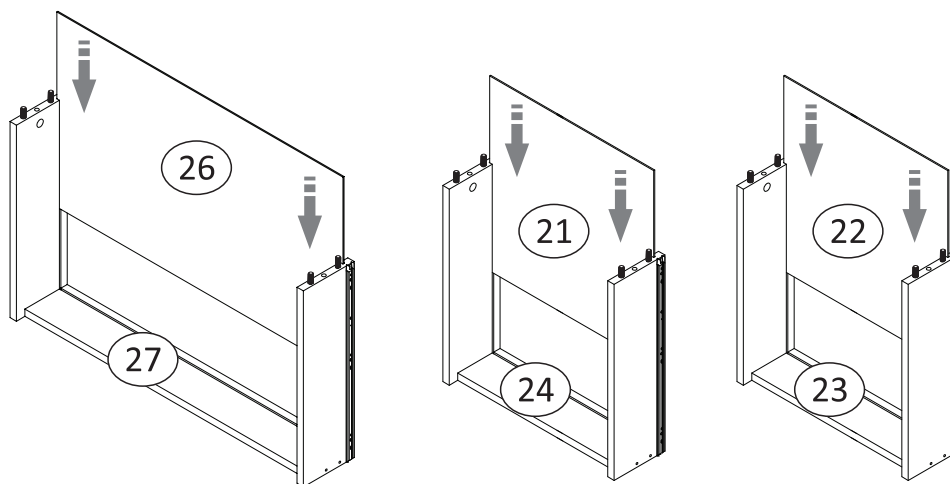
For the **BIG DRAWERS**, fix parts 17 and 18 to part 27 using four screws (U).

For **SMALL DRAWERS**, fix parts 17 and 18 on parts 23 and 24 using four screws (U).



Step 21

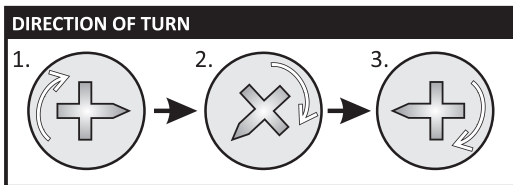
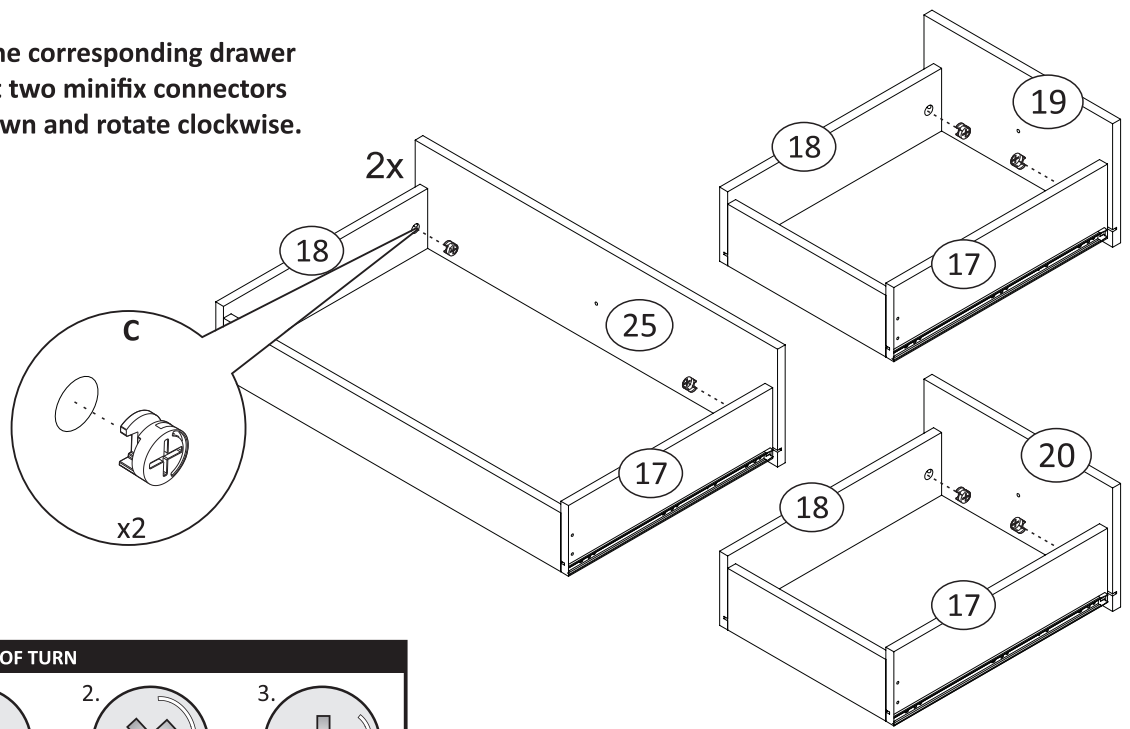
Insert the drawer bottoms 21, 22 and 26 into their respective drawers.



Drawers

Step 22

Fit the drawer assembly to the corresponding drawer fronts (19, 20 and 25). Insert two minifix connectors (C) on parts 17 and 18 as shown and rotate clockwise. Tighten to the limit.



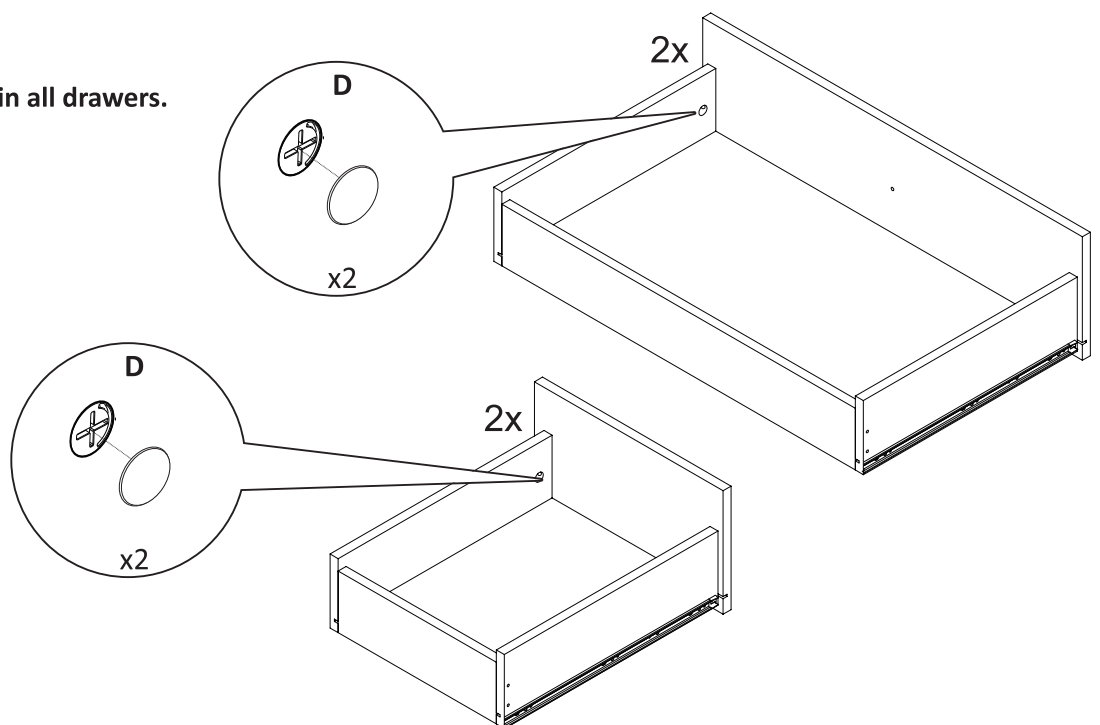
Tighten the minifix up to the limit to assembly don't be slack.



C - 15MM CONNECTOR
x8

Step 23

Put the cover (D) to the minifix connectors (C) in all drawers.

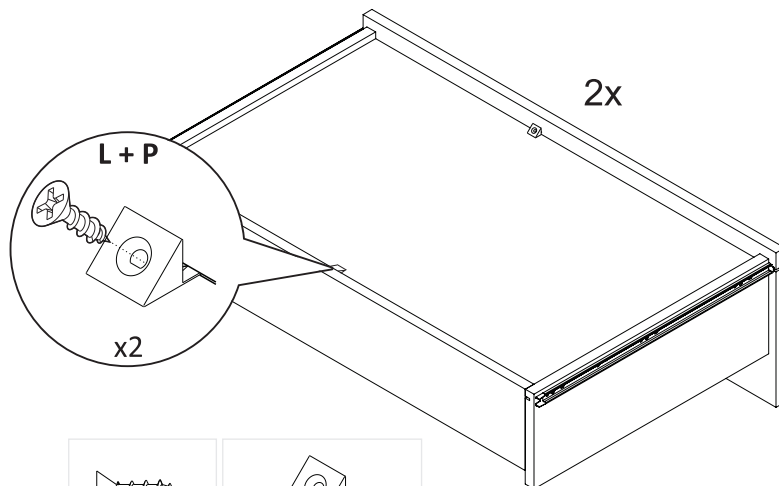


D - 21MM SCREW COVER (MINIFIX)
x8

Drawers

Step 24

At the bottom of the BIG drawer, according to the drawing, fit the bracket (P) and fix it with the screw (L).



Step 25



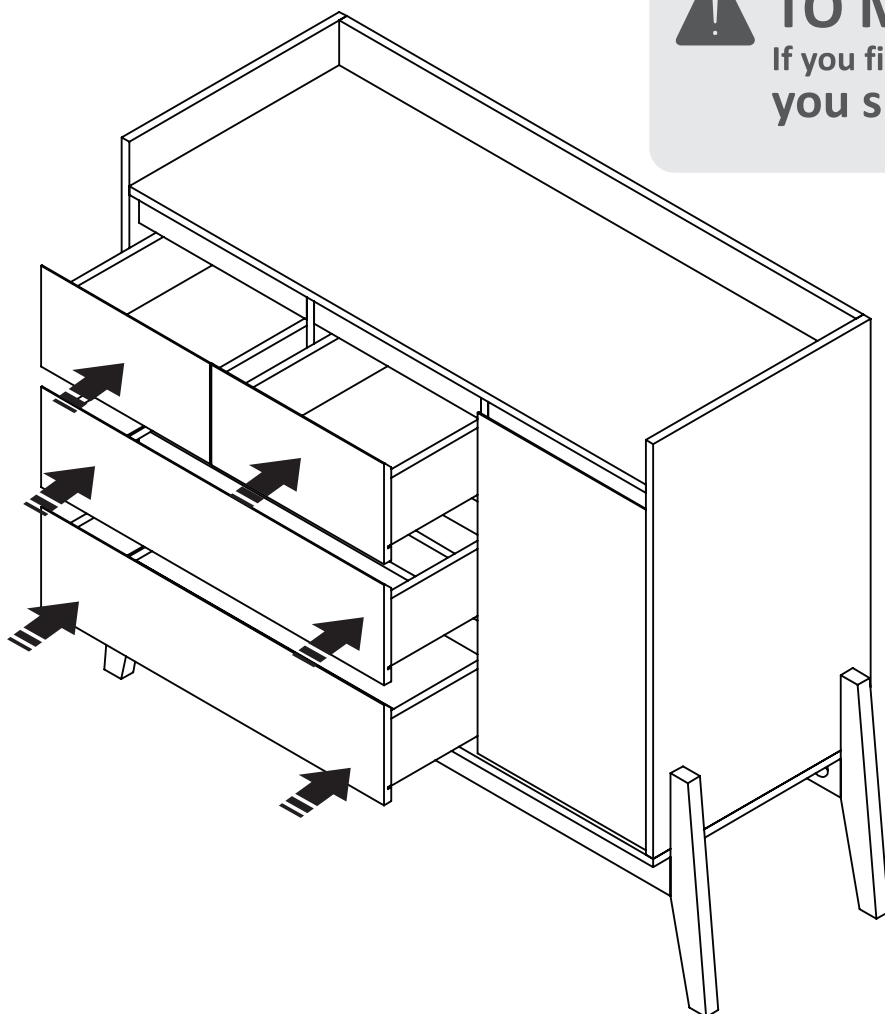
TO DRYWALL

If you fix the dresser on the DRYWALL don't put the drawers.



TO MASONRY

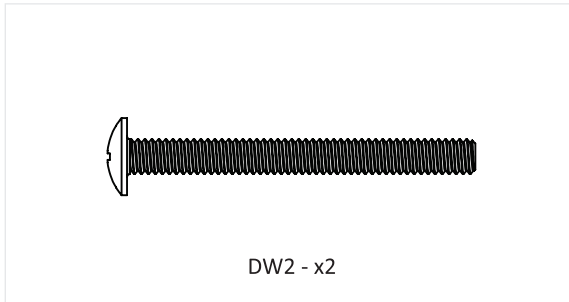
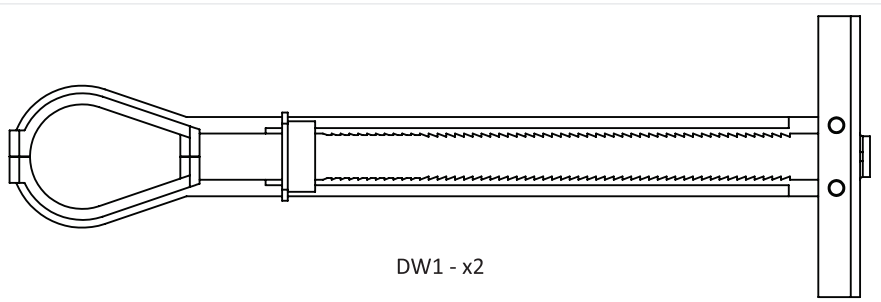
If you fix the dresser on the MASONRY WALL you should put the drawers.



Safe and Security

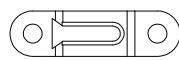
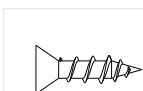
KIT FOR DRYWALL DW = DRYWALL

Go to Step 26



KIT FOR MASONRY MW = MASONRY WALL

Go to Step 34



WARNING



Serious or fatal crushing injuries can occur from furniture tip-over. **ALWAYS** secure this furniture to the wall using tip-over restraints. To further reduce the risk of serious injury and death from tip-overs:

- Place heaviest items in the lower drawer.
- Do not set TVs or other heavy objects on the top of this product.
- Never allow children to climb or hang on drawers doors or shelves.

**DON'T PULL THE FURNITURE TO CHANGE IT.
INSTEAD OF PULLING, PUSH IT ON THE DIRECTION YOU WANT.**

Safe and Security

KIT FOR DRYWALL

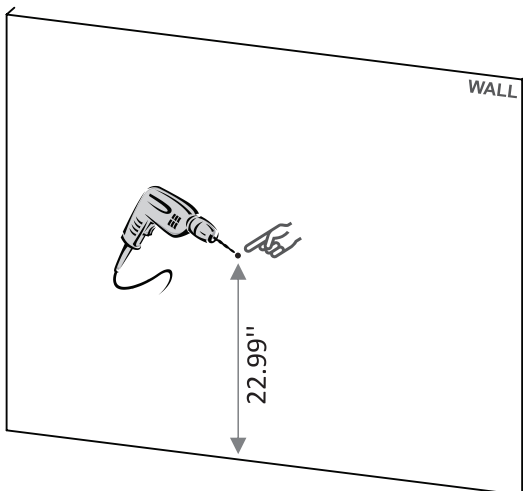
1. Make holes on the wall following the model below and specifications:

- \varnothing 14mm (9/16") drill.
- ∇ Depth of 60mm (2.36").

Step 26

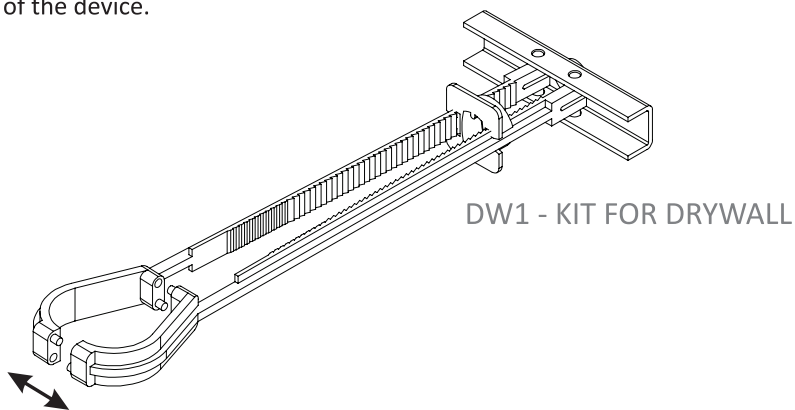


Use an electric drill.



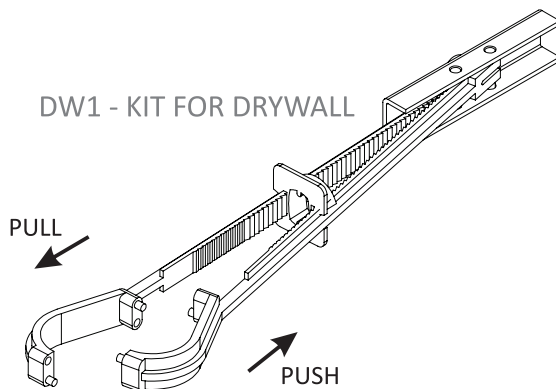
2. Separate the two nylon parts of the device.

Step 27



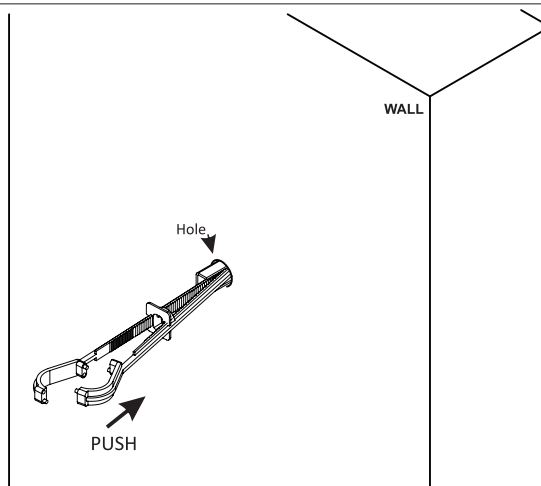
3. Fold the metal part as shown below.

Step 28



4. Insert the device into the hole made on the drywall.

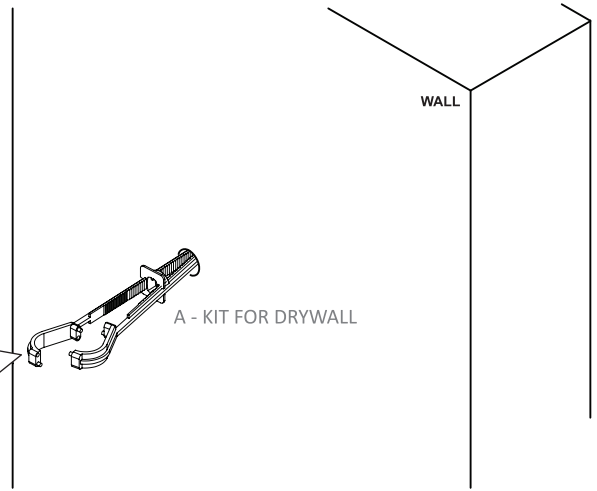
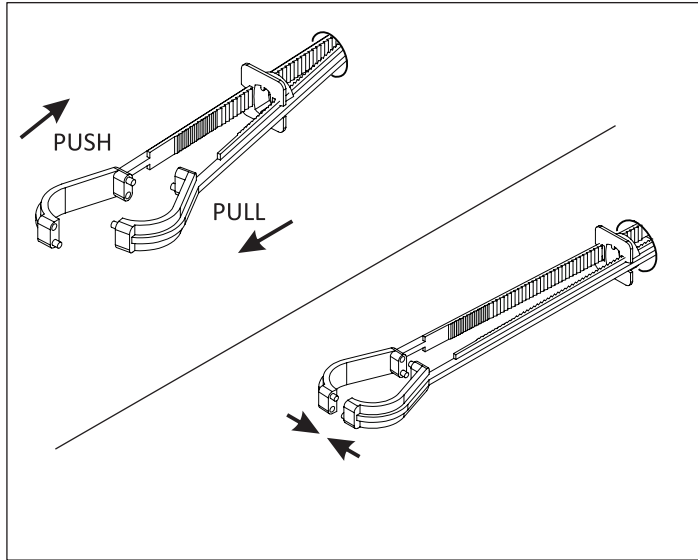
Step 29



Safe and Security

5. As the device inserted into the drywall pull the nylon pieces as below and fitting the two parts.

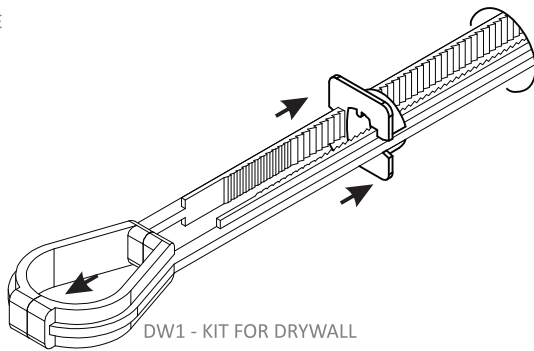
Step 30



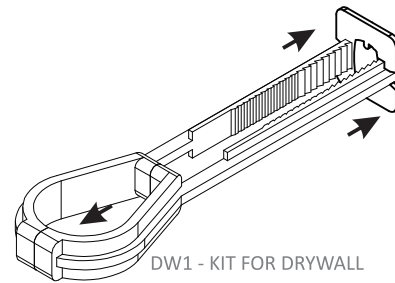
6. Adjust the metal part detached to the hole made on the drywall. For this necessary to pull the handle on the opposite direction.

Step 31

BEFORE



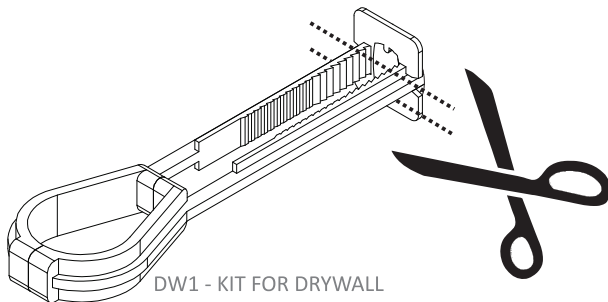
AFTER



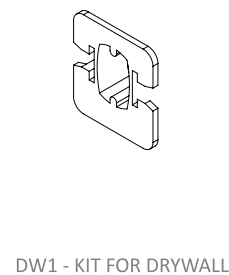
WALL

7. Cut the space nylon parts of the device.

BEFORE



AFTER



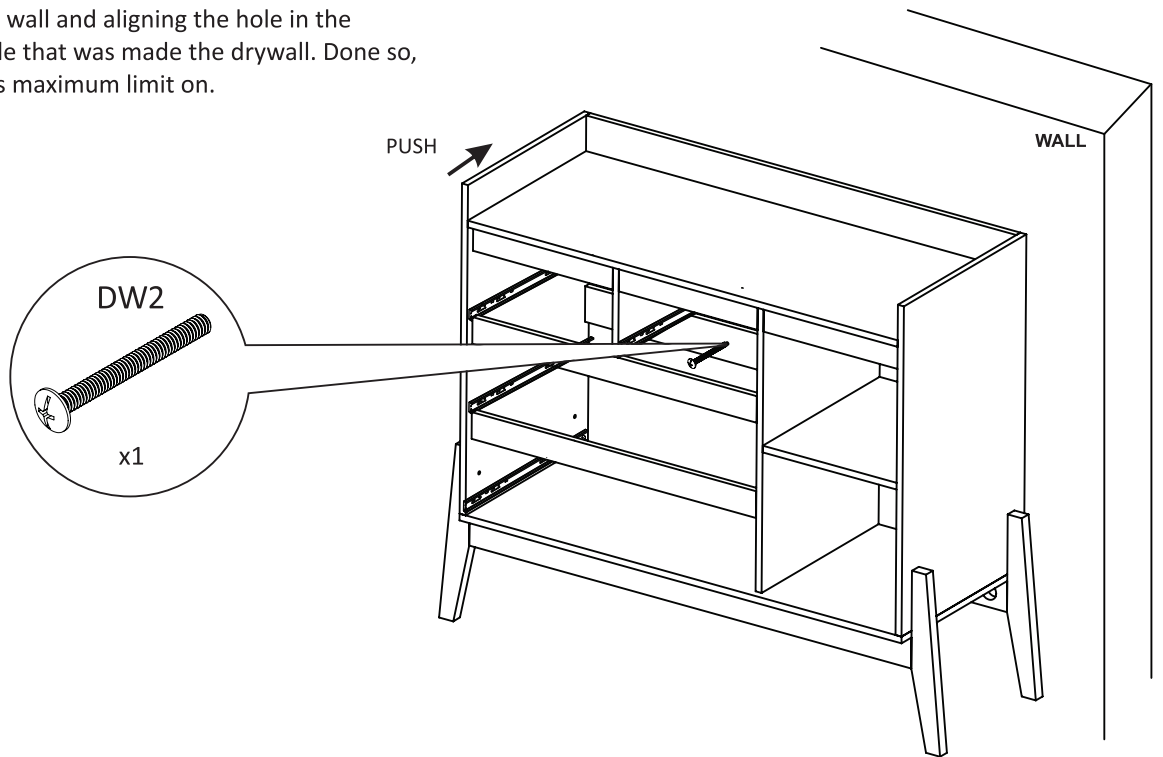
WALL

Step 32

Safe and Security

Step 33

8. Put the dresser to the wall and aligning the hole in the safety block with the hole that was made the drywall. Done so, insert the screw up to its maximum limit on.



KIT FOR MASONRY

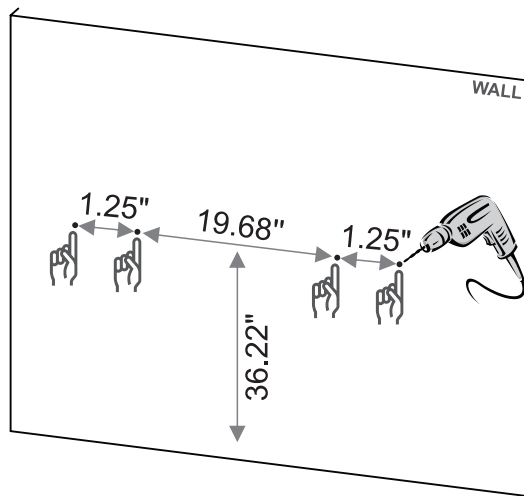
1. Make holes on the wall following the model below and specifications:

- \varnothing 8mm (5/16") drill.
- ∇ Depth of 50mm (1.96").

Step 34

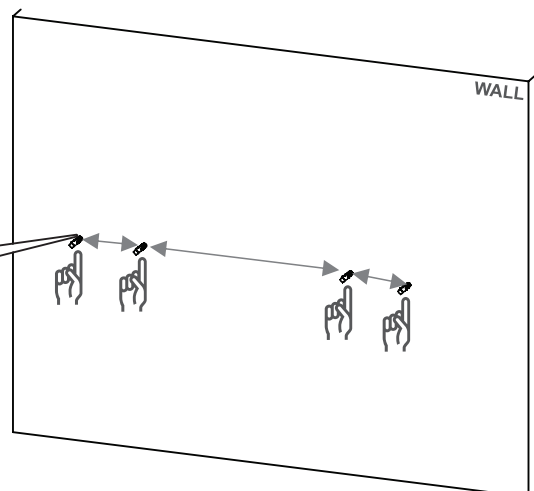
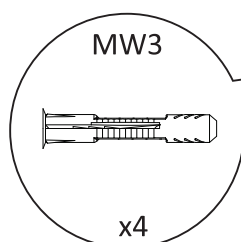


Use an electric drill.



2. Insert the bushing into the hole made on the wall.

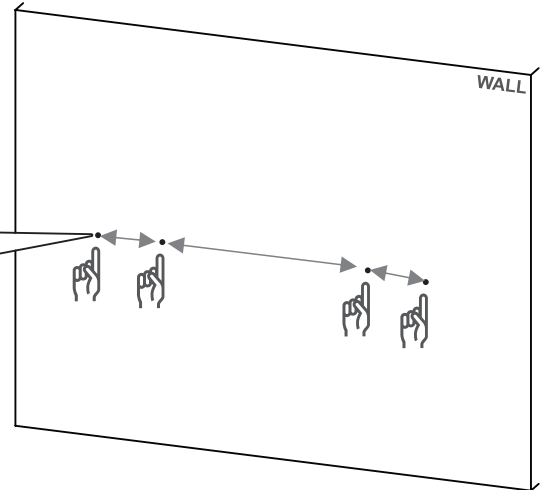
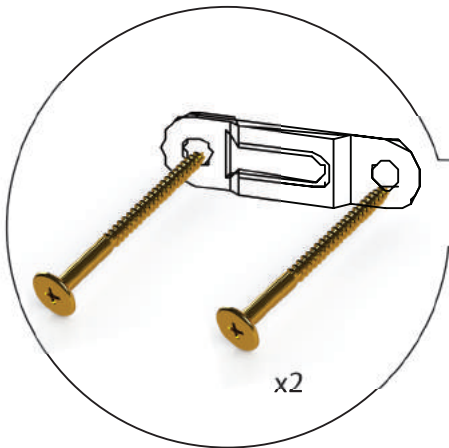
Step 35



Safe and Security

3. Put the screws into the bushings, but don't tighten until the end. It's necessary 0.39" (10mm) left to fit on the lock.

Step 36

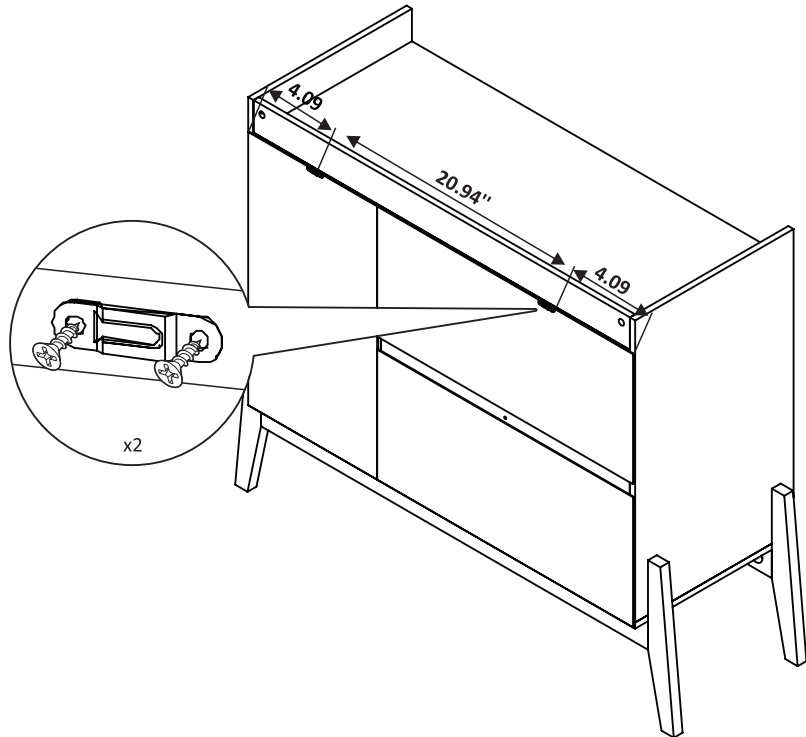


4. Put the lock on the horizontal as the pictures below.

Step 37



**Check the distance between wall's holes.
It must be the same distance between centers
of dresser's device.**

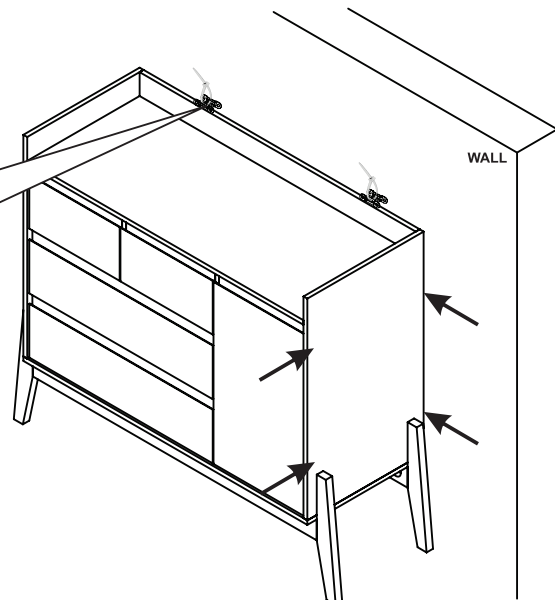
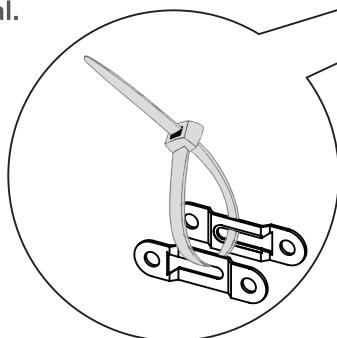


5. Drag the dresser carefully until you meet the screw's head. Fit the screw into the lock as the picture below.

Step 38



**Put the two pieces together
and insert the seal.**



TAKING GOOD CARE OF YOUR FURNITURE

Cleaning and caring instructions:

- Wipe the wood furniture down with a moist cloth to properly clean the furniture.
- Do not forget to dry your furniture out. Humidity can damage the finish or create mould.
- Chemical products are not recommended;
- Never clean the furniture with scouring powders, steel scrubber pads or any other product which can scratch its
- Furniture surfaces should not be covered with colored plastic or paper sheets.
- Avoid dragging objects on top of the furniture. They might scratch the finishing.
- Wood furniture are made of mould and termites resistant materials, however, it is recommended to use termiticides
in infested places before installing the furniture.
- Avoid furniture exposure to direct Sun light. Drapers suggested.