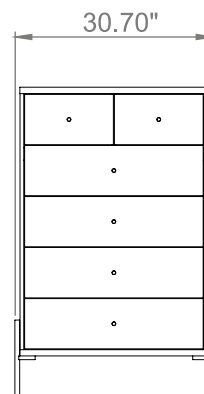
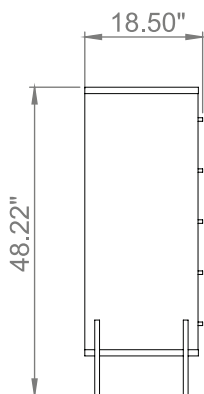
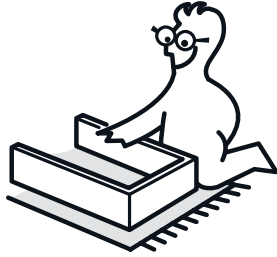


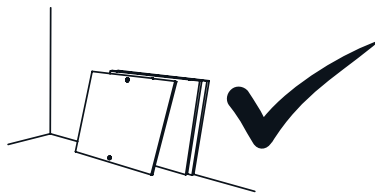
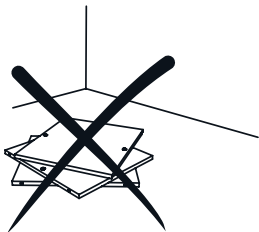
MANHATTAN
COMFORT
Joy Vertical Dresser



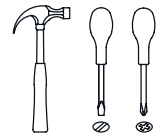


For Best Results

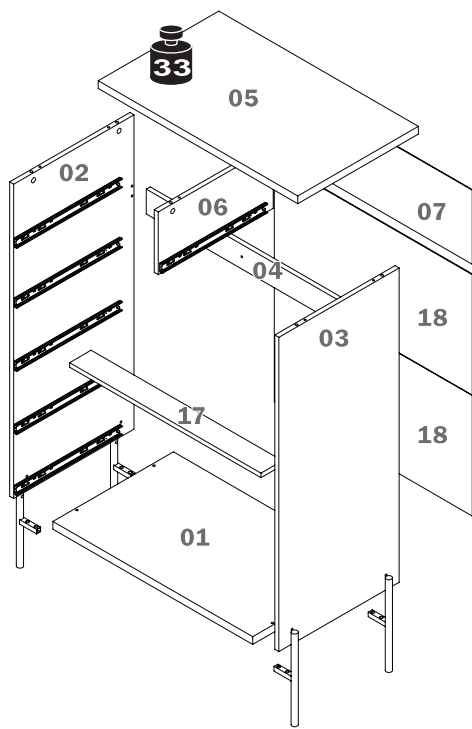
- Do not throw away packaging materials until assembly is complete.
- Assemble item on a soft surface, such as cardboard or carpet, to protect finish.
- Proper assembly requires two people.



Tools Required

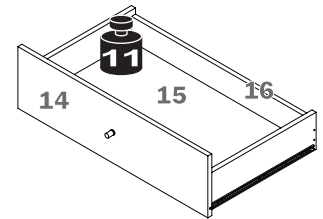
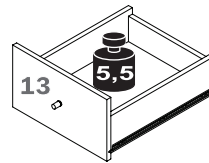
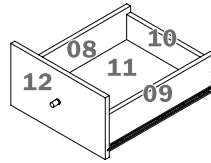


Included in this Package

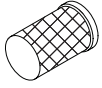
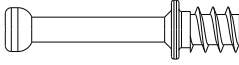


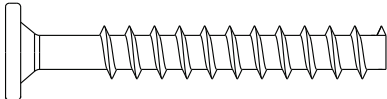

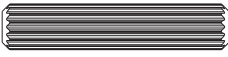
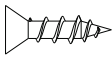
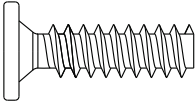
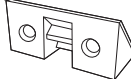
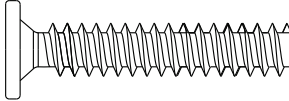


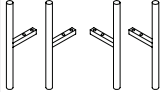
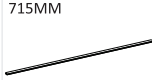
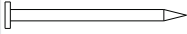

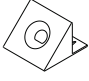
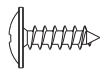


Lbs. Maximum weight supported.

01	LOWER TOP	x1
02	LEFT SIDE	x1
03	RIGHT SIDE	x1
04	BATTEN	1
05	UPPER TOP	x1
06	DIVISION	x1
07	UPPER BACK	x1
08	LEFT SIDE OF THE DRAWER	x6
09	RIGHT SIDE OF DRAWER	x6
10	SMALL BACK OF DRAWER	x2
11	SMALL DRAWER BOTTOM	x2
12	LEFT FRONT OF DRAWER	x1
13	RIGHT FRONT OF DRAWER	x1
14	BIG FRONT OF DRAWER	x4
15	BIG DRAWER BOTTOM	x4
16	BIG BACK OF DRAWER	x4
17	CENTRAL BATTEN	x1
18	LOWER BACK	x2
19	FITTINGS	x1



19 Fittings

 A - HANDLE x6	 B - MINIFIX SCREW x18	 C - 15MM CONNECTOR x18	 D - 21MM SCREW COVER (MINIFIX) x18	 E - 7X50 SCREW x4	 F - ALLEN WRENCH x1	
 G - 6X30MM WOODEN DOWEL x34	 H - 3,5X14MM SCREW x8	 I - 1/4X25MM SCREW x4	 J - PLASTIC CORNER PLATE x2	 K - 1/4X35MM SCREW x8	 L - M5X25MM SCREW x6	
 M - 3,5X40MM SCREW x24	 N - FEET KIT x1	 O - H PROFILE x1	 P - 10X10 NAIL x50	 Q - WHITE GLUE x1	 R - DRAWER BOTTOM SUPPORT x8	 S - 3,5X12MM WASHER HEAD SCREW x8

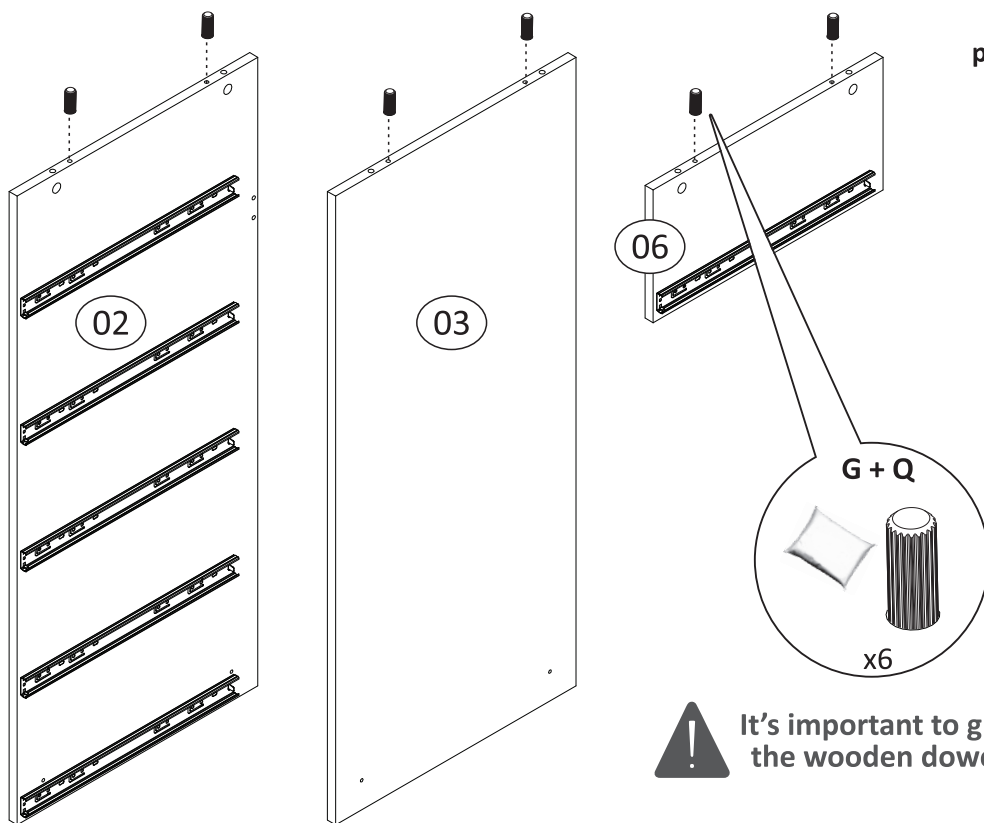
Where to find the items

Box 01			
01	06	11	16
02	07	12	17
03	08	13	18
04	09	14	19
05	10	15	

Prepare the pieces

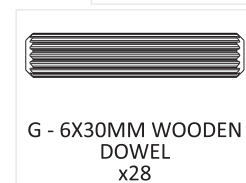
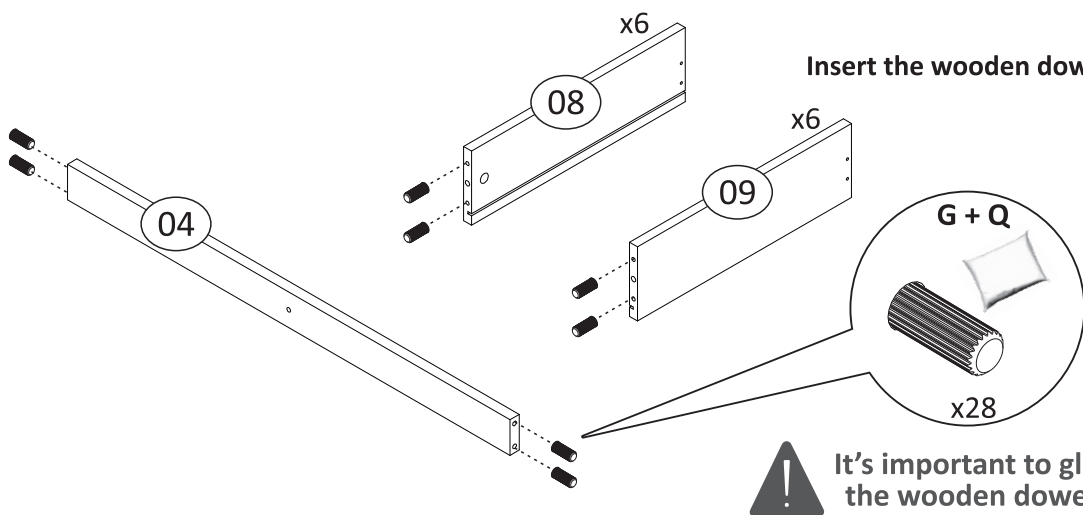
Step 1

Insert the wooden dowels (G) into parts 02, 03 and 06. Remember to use the glue (Q).



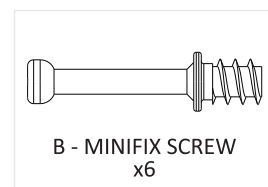
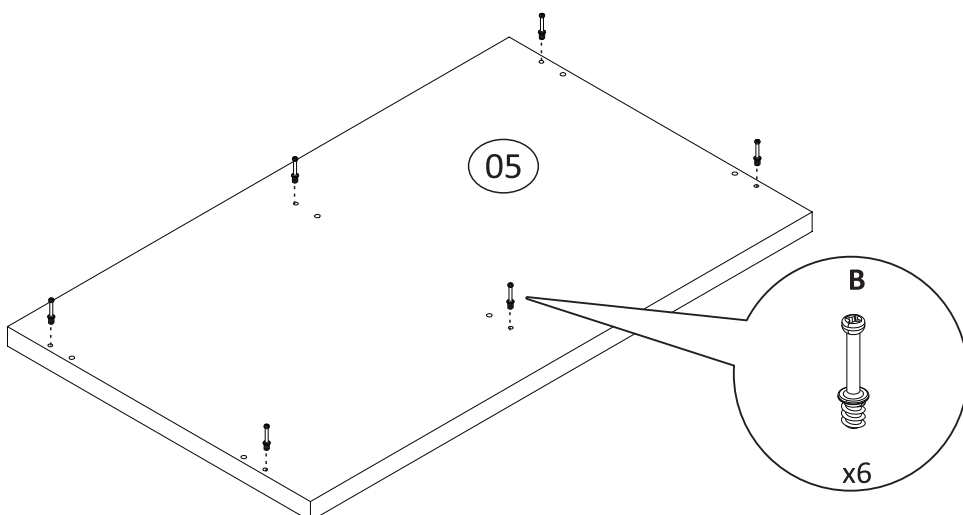
Step 2

Insert the wooden dowels (G) into parts 04, 08 and 09. Remember to use the glue (Q).



Step 3

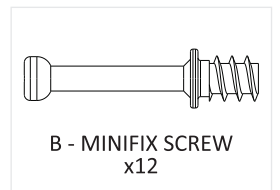
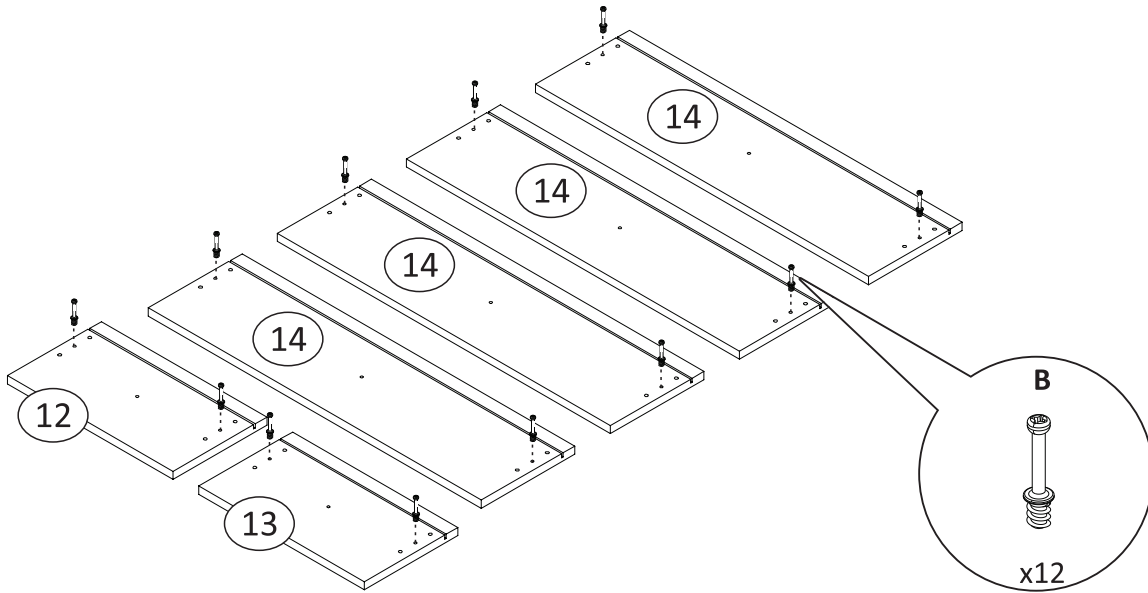
Insert screw B into part 05. Tighten to the limit.



Prepare the pieces

Step 4

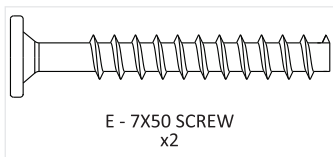
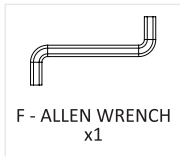
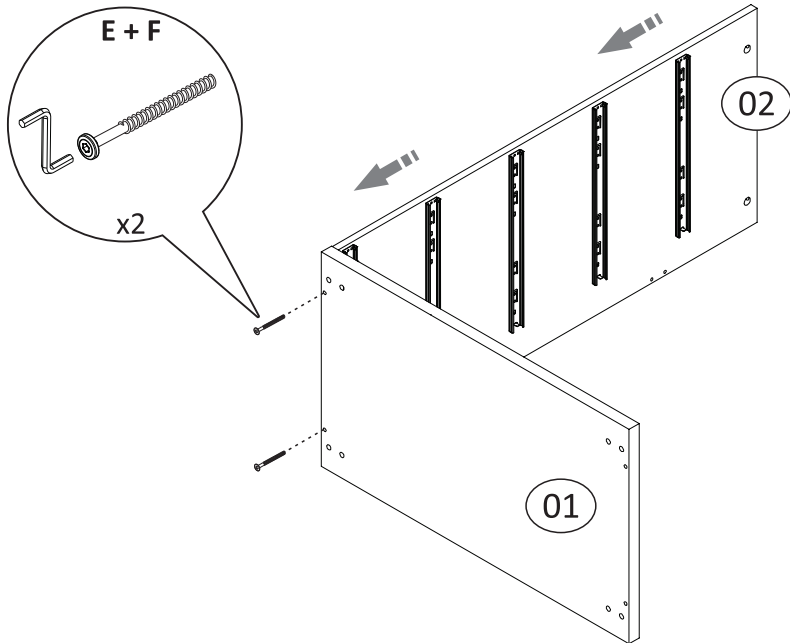
Insert screw B into parts 12, 13 and 14.
Tighten to the limit.



Assembly

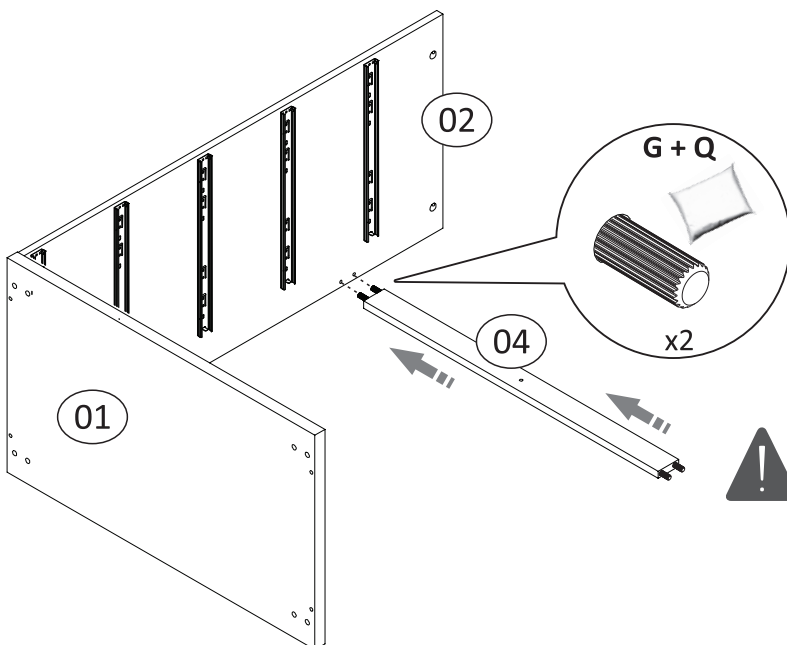
Step 5

Put the parts 01 and 02 together and use two screws (E) and the Allen wrench (F).



Step 6

Put the glue (Q) in the wooden dowel (G) already fixed into part 04. Then put part 04 together with part 02.

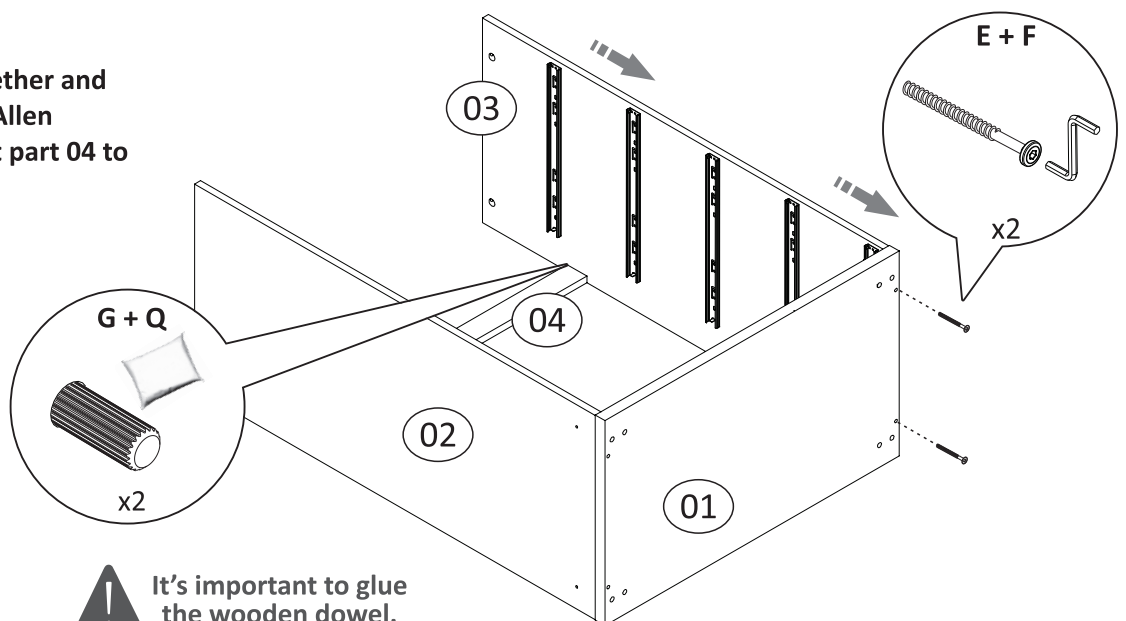


It's important to glue the wooden dowel.

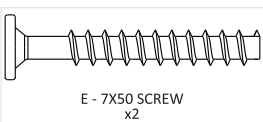
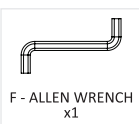


Step 7

Put the parts 01 and 03 together and use two screws (E) and the Allen wrench (F). Remember to fit part 04 to part 03 before screwing.



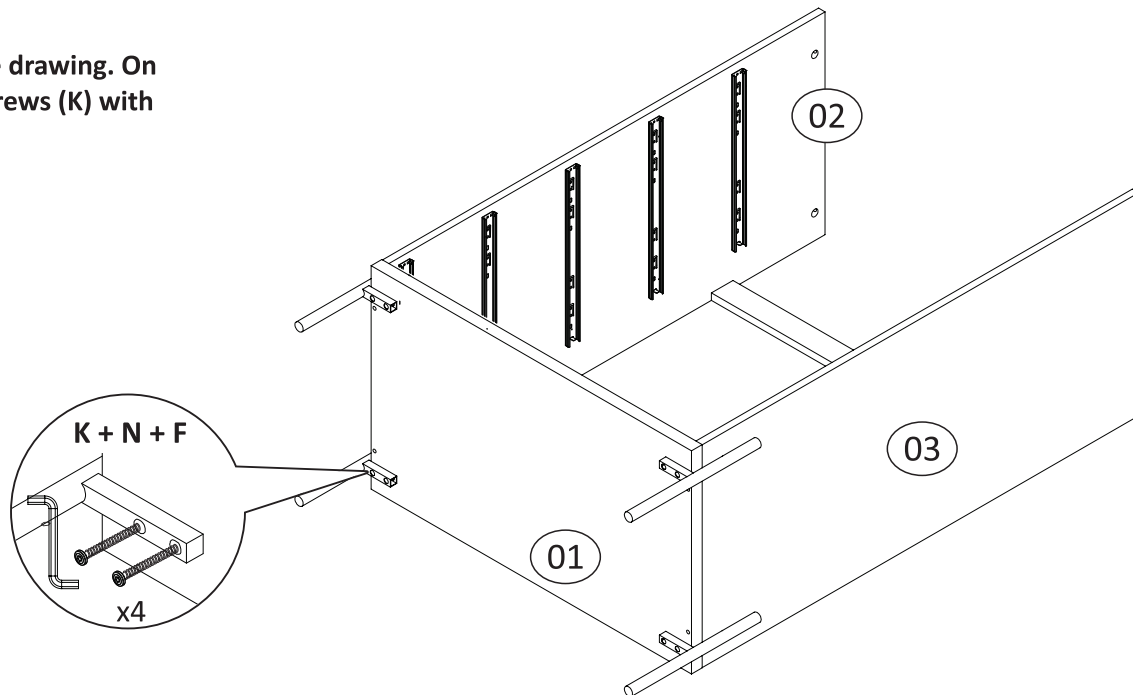
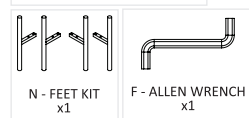
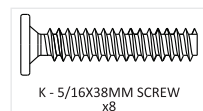
It's important to glue the wooden dowel.



Assembly

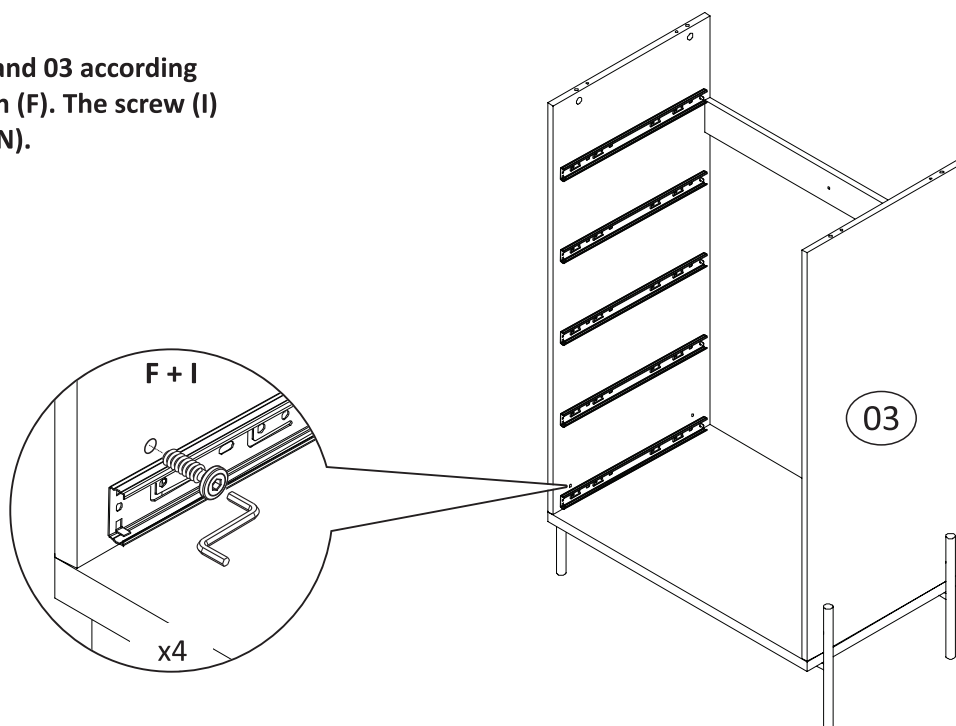
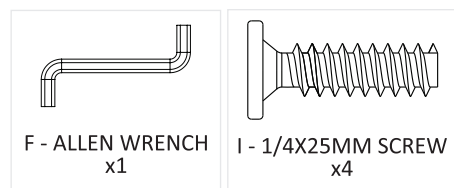
Step 8

Put feet on part 01 as the drawing. On each foot (N), use two screws (K) with the Allen wrench (F).



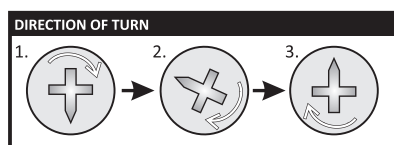
Step 9

Insert the screw (I) through parts 02 and 03 according to the drawing using the Allen wrench (F). The screw (I) must fix parts 02 and 03 on the feet (N).

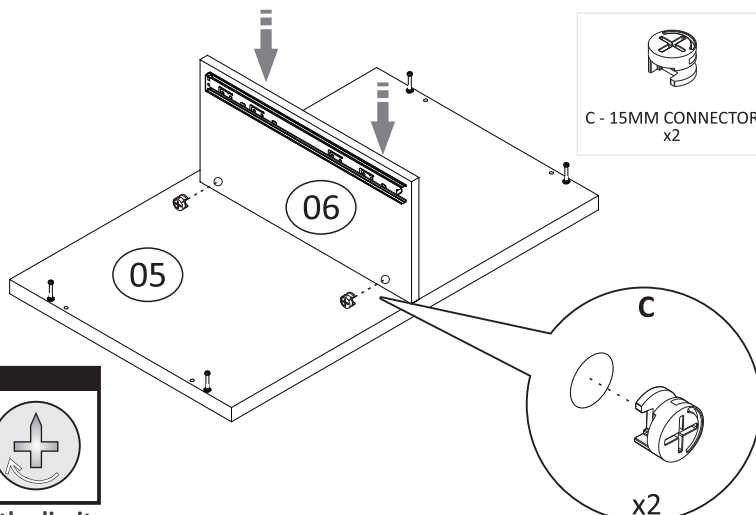


Step 10

Put the part 06 to the screws already fixed to part 05. Insert the two minifix connectors (C) in part 06 and rotate clockwise as shown. Tighten to the limit.



Tighten the minifix up to the limit to assembly don't be slack.

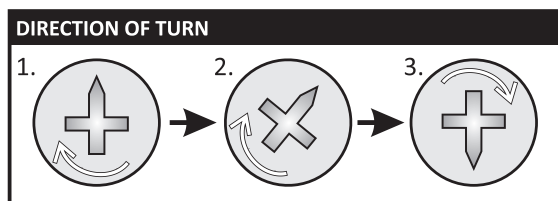
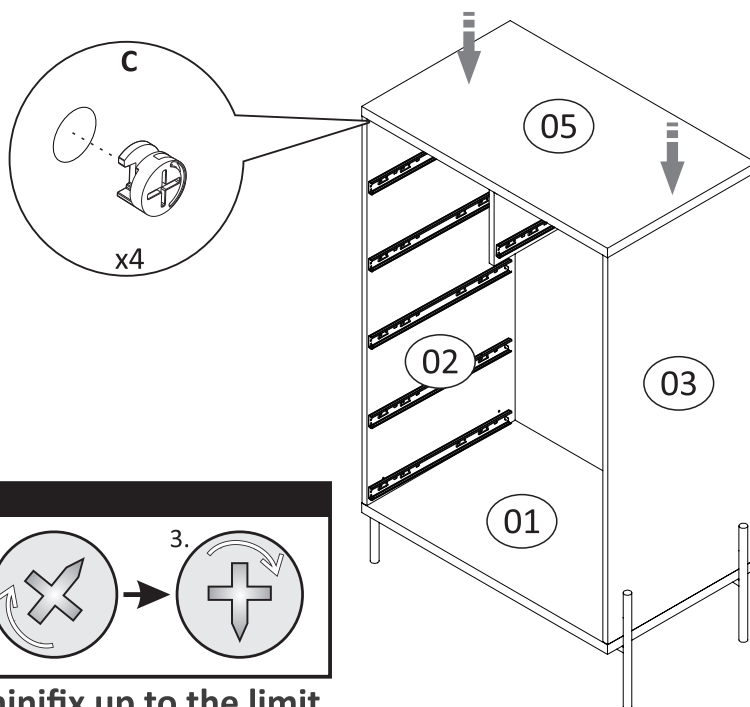


Assembly

Step 11

Fit part 05 on the sides 02 and 03. Insert the four minifix connectors (C) on parts 02 and 03 according to the indicated drawing and turn clockwise.

Tighten to the limit.



Tighten the minifix up to the limit to assembly don't be slack.

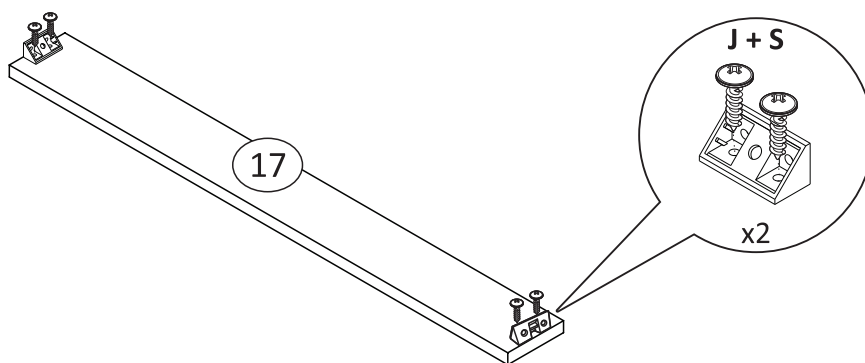


C - 15MM CONNECTOR
x4

Step 12

Fix the corner plate (J) on the part 17 and use four screws (S).

Tighten to the limit.



S - 3,5X12MM WASHER
HEAD SCREW
x4



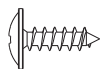
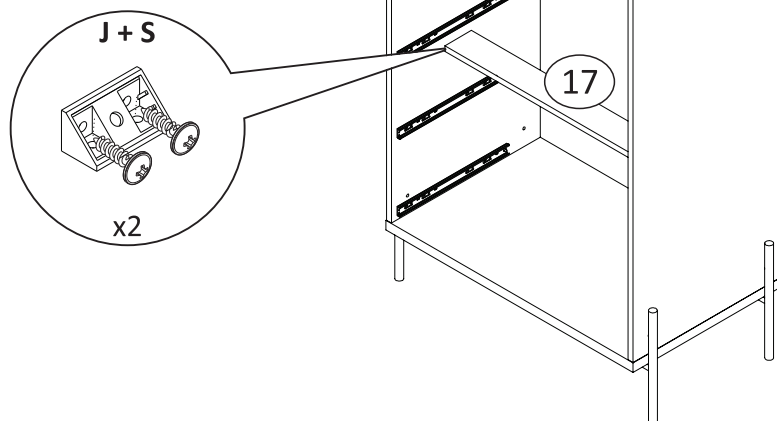
J - PLASTIC CORNER PLATE
x2

Step 13

Align the corner plate (J) which is fixed on the part 17 with the markings on parts 02 and 03. Then fix the corner plate with two screws (S). Do this on the right and left side of the product.



It's very important to pay attention to the marks on the sides to fix the batten on that.



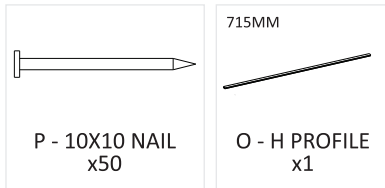
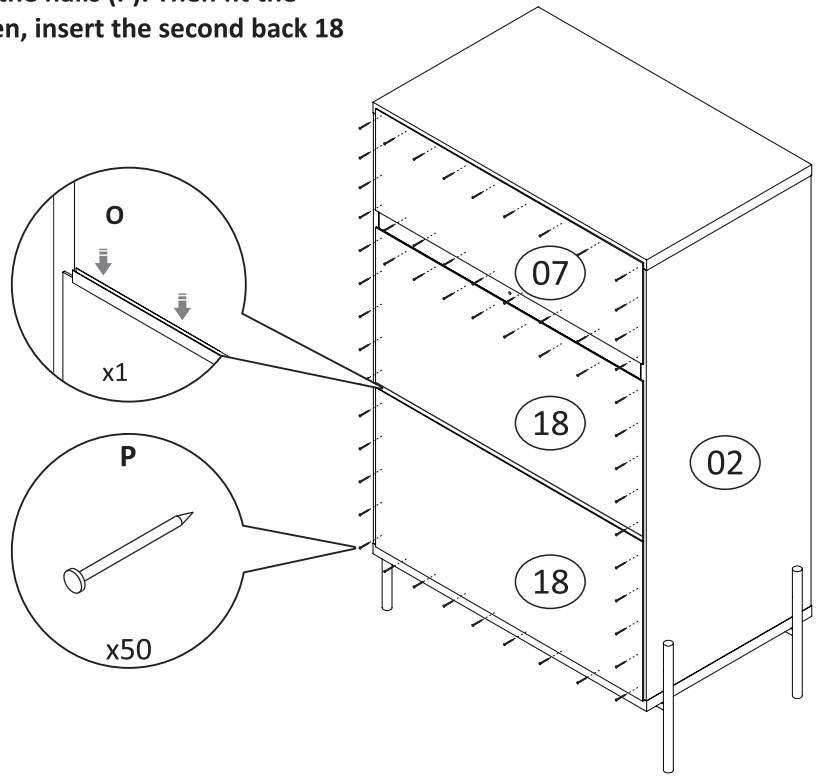
S - 3,5X12MM WASHER
HEAD SCREW
x4

Assembly

Step 14

Fix the back 18 to the bottom of the dresser using the nails (P). Then fit the profile (O) into the upper part of this back(18). Then, insert the second back 18 into the profile (O) and fix it with nails (P).

When it is ok, fix the back 07 at the top of the batten, as shown in the drawing.

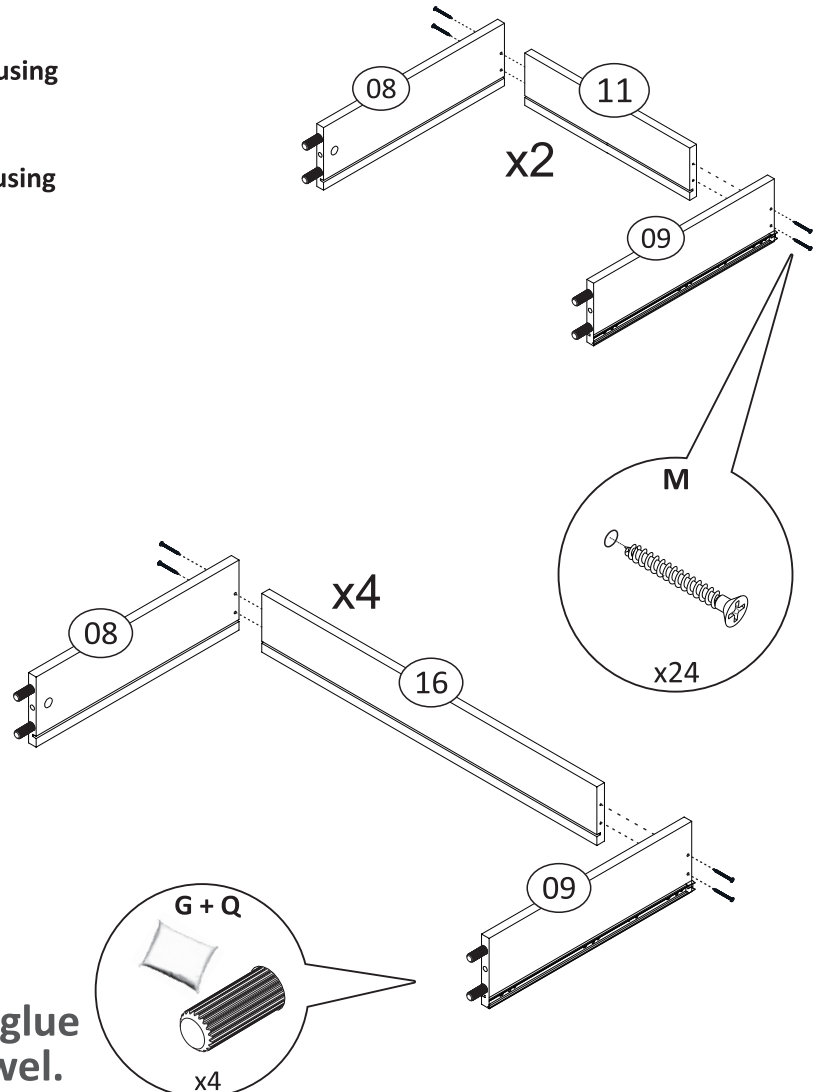
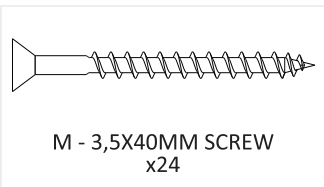


Drawers

Step 15

For the **BIG DRAWERS**, fix parts 08 and 09 to part 16 using four screws (M).

For **SMALL DRAWERS**, fix parts 08 and 09 on part 11 using four screws (M).

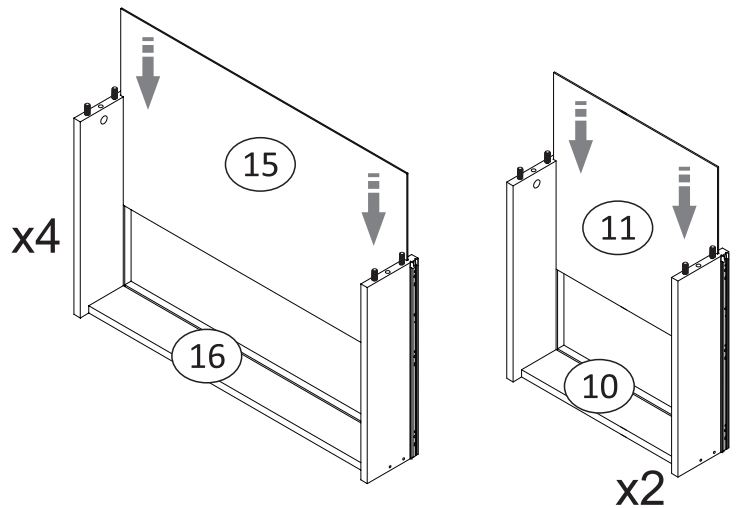


It's important to glue the wooden dowel.

Drawers

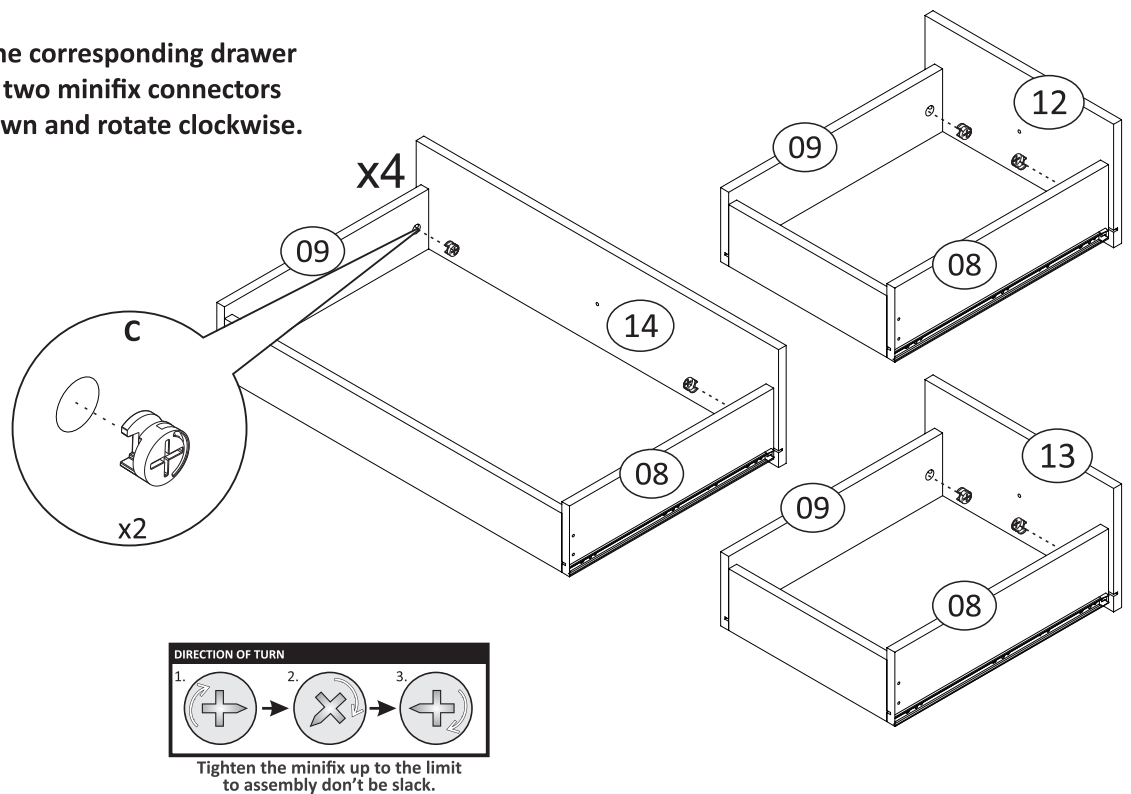
Step 16

Insert the drawer bottoms 11 and 15 into their respective drawers.



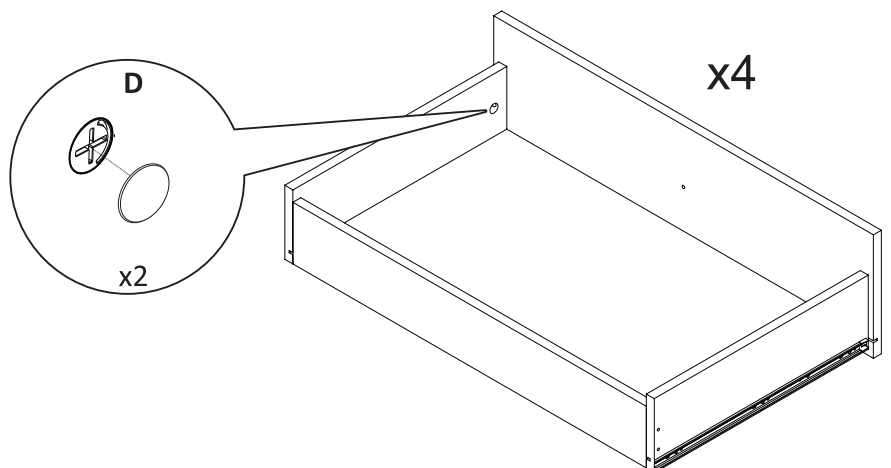
Step 17

Fit the drawer assembly to the corresponding drawer fronts (12, 13 and 14). Insert two minifix connectors (C) on parts 08 and 09 as shown and rotate clockwise. Tighten to the limit.



Step 18

Put the cover (D) to the minifix connectors (C) in all drawers.



Drawers

Step 21



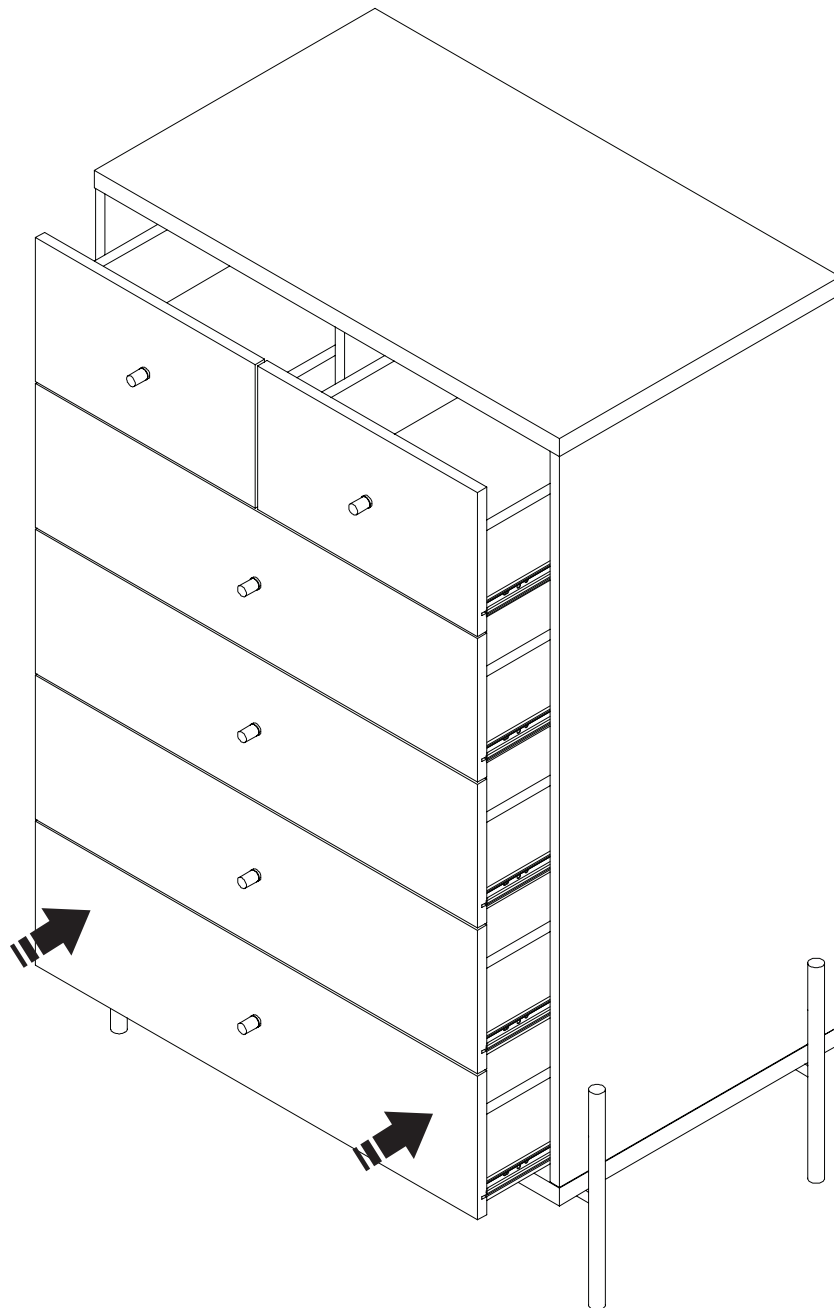
TO DRYWALL

If you fix the dresser on the DRYWALL
don't put the drawers.



TO MASONRY

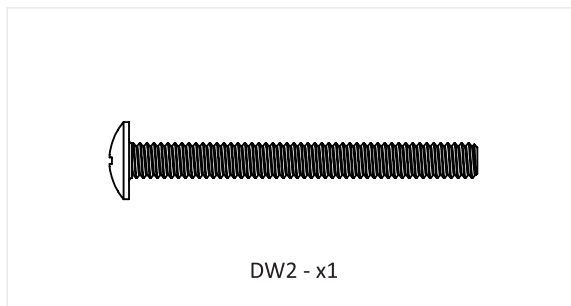
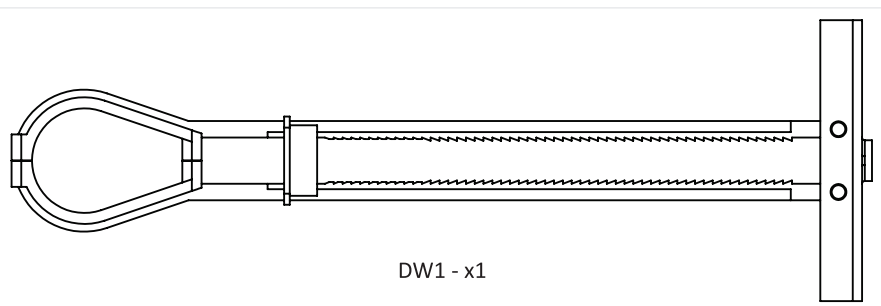
If you fix the dresser on the MASONRY WALL
you should put the drawers.



Safe and Security

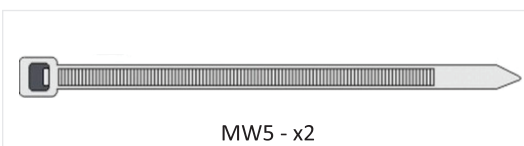
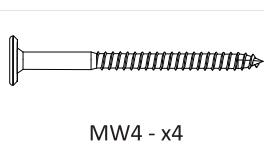
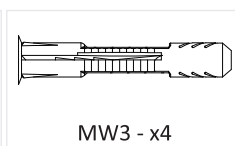
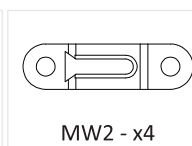
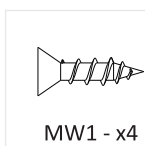
KIT FOR DRYWALL DW = DRYWALL

Go to Step 22



KIT FOR MASONRY MW = MASONRY WALL

Go to Step 30



WARNING



Serious or fatal crushing injuries can occur from furniture tip-over. ALWAYS secure this furniture to the wall using tip-over restraints. To further reduce the risk of serious injury and death from tip-overs:

- Place heaviest items in the lower drawer.
- Do not set TVs or other heavy objects on the top of this product.
- Never allow children to climb or hang on drawers doors or shelves.

**DON'T PULL THE FURNITURE TO CHANGE IT.
INSTEAD OF PULLING, PUSH IT ON THE DIRECTION YOU WANT.**

Safe and Security

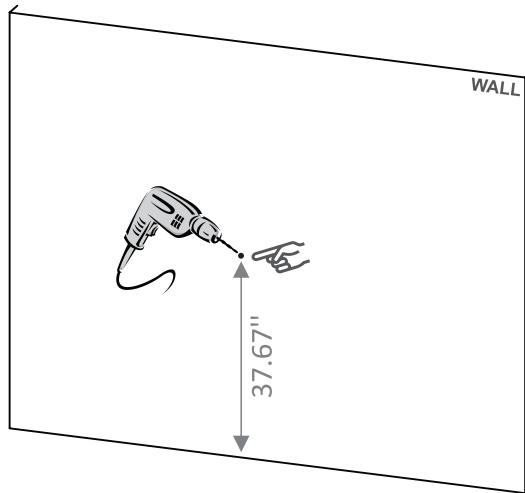
KIT FOR DRYWALL

1. Make holes on the wall following the model below and specifications:

- \varnothing 14mm (9/16") drill.
- ∇ Depth of 60mm (2.36").

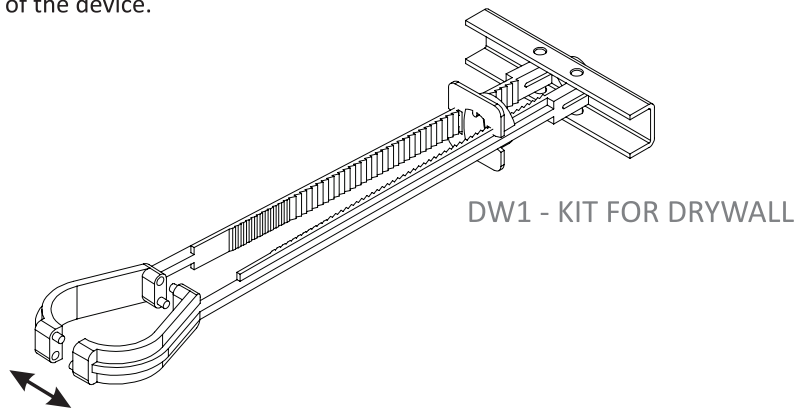
Step 22


Use an electric drill.



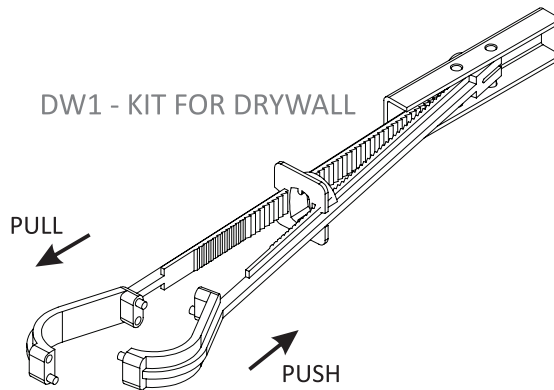
2. Separate the two nylon parts of the device.

Step 23



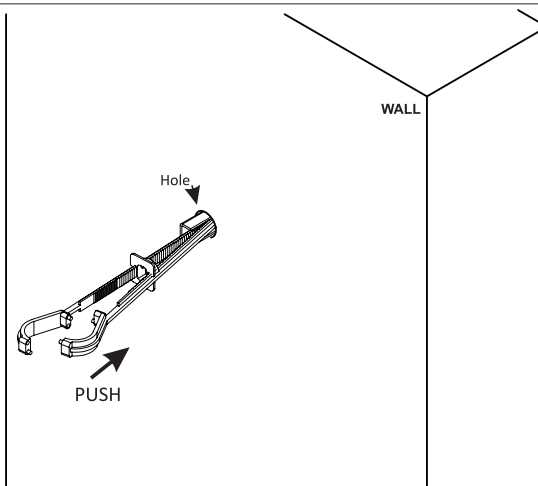
3. Fold the metal part as shown below.

Step 24



4. Insert the device into the hole made on the drywall.

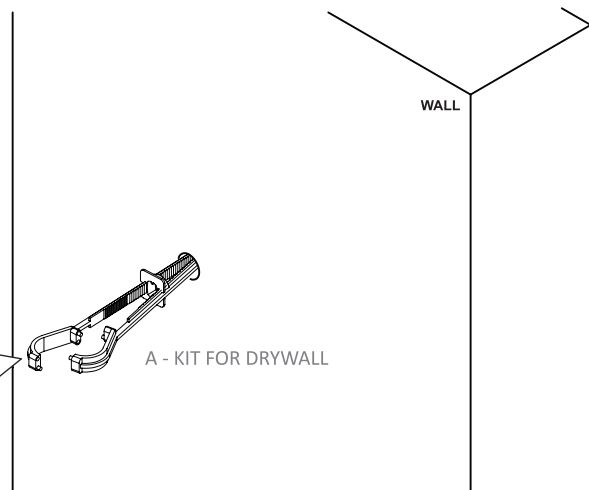
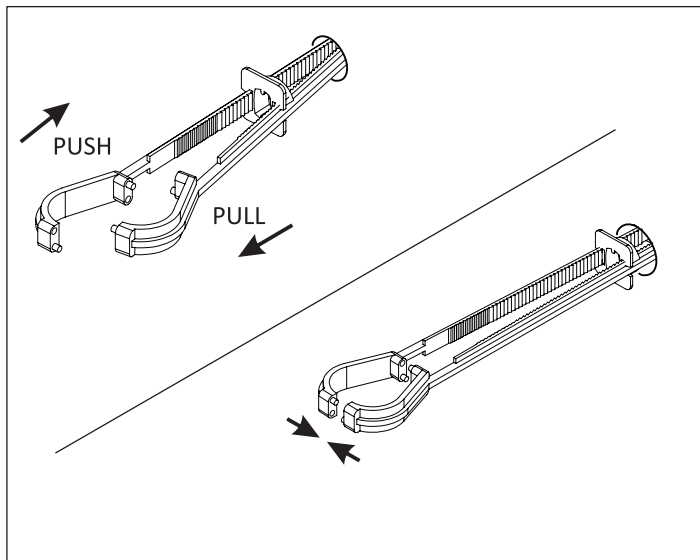
Step 25



Safe and Security

5. As the device inserted into the drywall pull the nylon pieces as below and fitting the two parts.

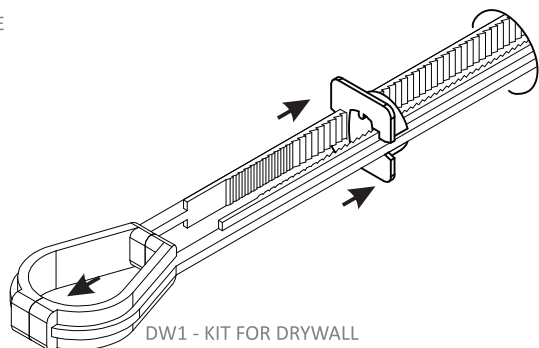
Step 26



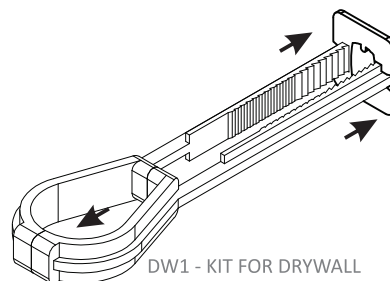
6. Adjust the metal part detached to the hole made on the drywall. For this necessary to pull the handle on the opposite direction.

Step 27

BEFORE



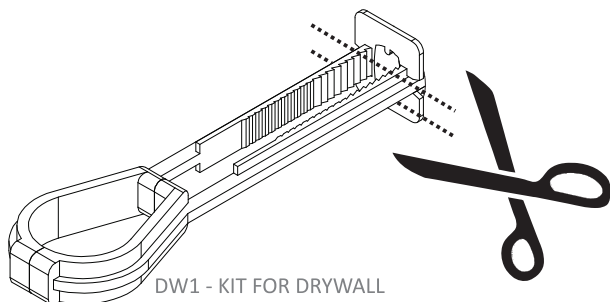
AFTER



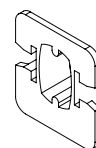
WALL

7. Cut the space nylon parts of the device.

BEFORE



AFTER



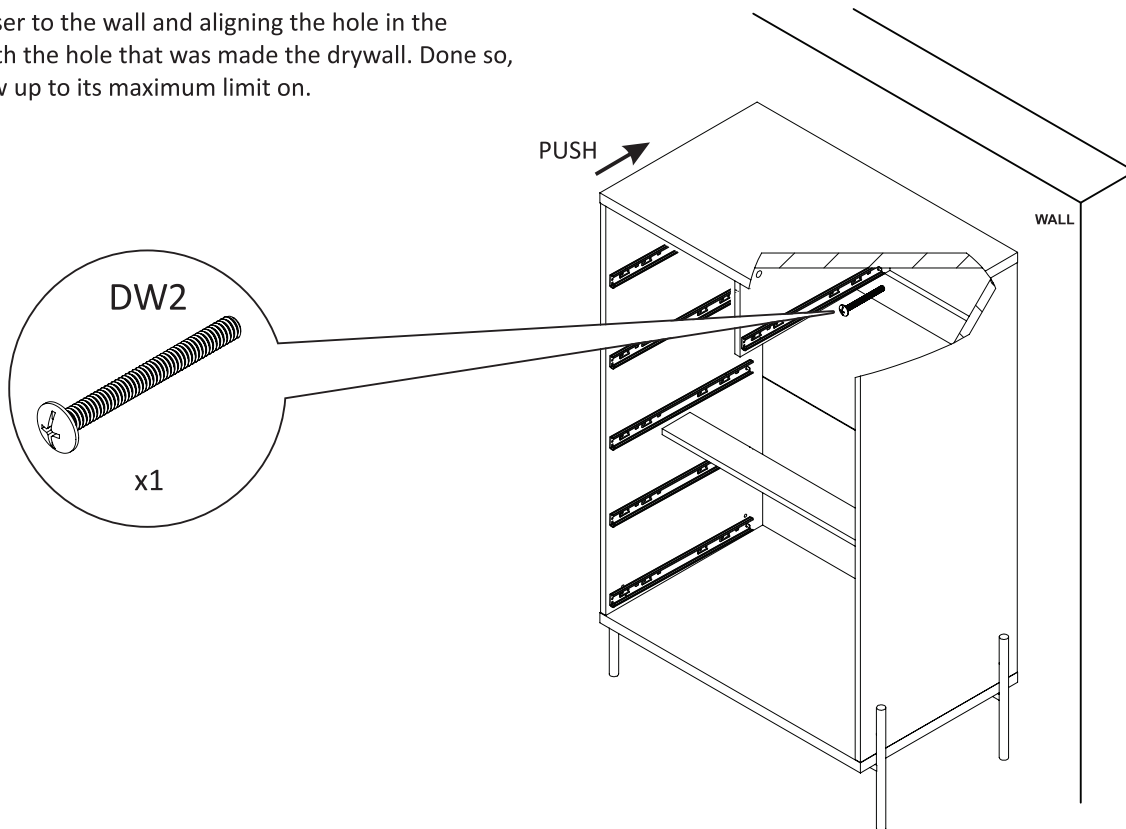
Step 28

WALL

Safe and Security

8. Put the dresser to the wall and aligning the hole in the safety block with the hole that was made the drywall. Done so, insert the screw up to its maximum limit on.

Step 29



KIT FOR MASONRY

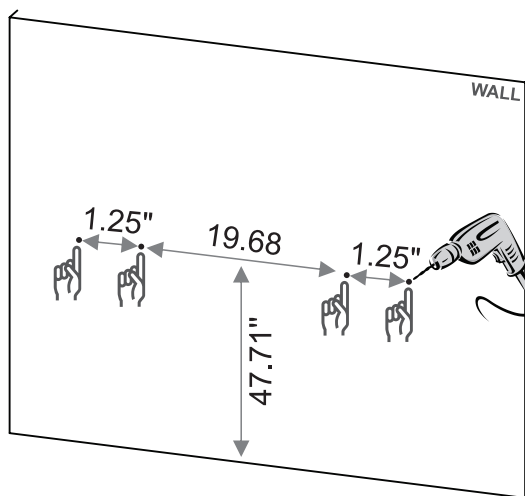
1. Make holes on the wall following the model below and specifications:

Step 30

- \varnothing 8mm (5/16") drill.
- ∇ Depth of 50mm (1.96").

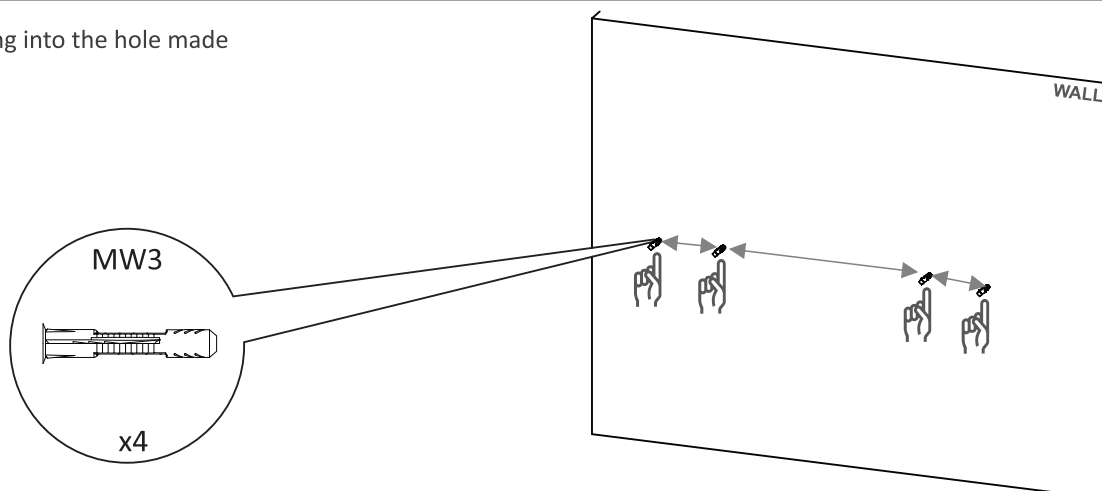


Use an electric drill.



2. Insert the bushing into the hole made on the wall.

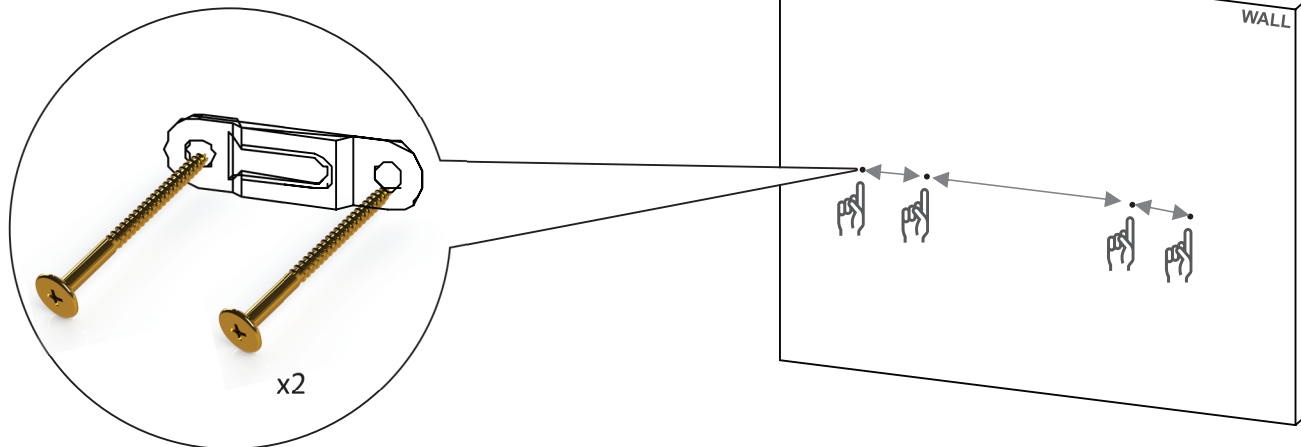
Step 31



Safe and Security

Step 32

3. Put the screws into the bushings, but don't tighten until the end. It's necessary 0.39" (10mm) left to fit on the lock.

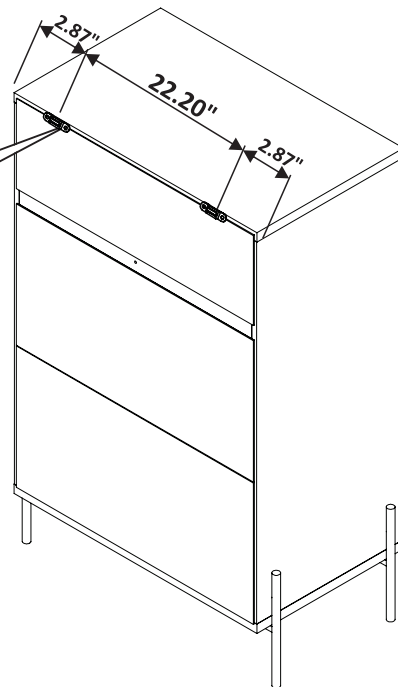
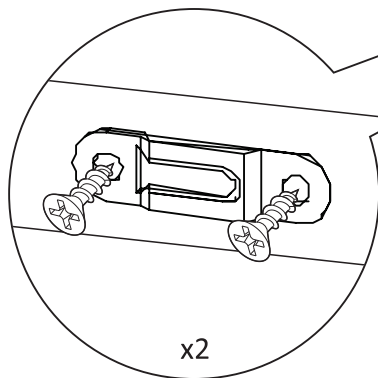


4. Put the lock on the horizontal as the pictures below.

Step 33



Check the distance between wall's holes.
It must be the same distance between centers
of dresser's device.

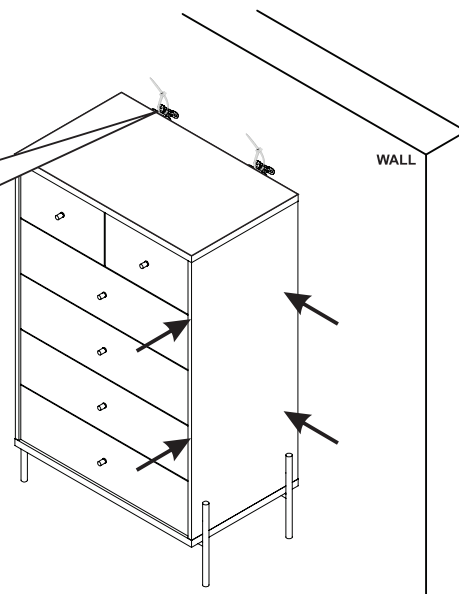
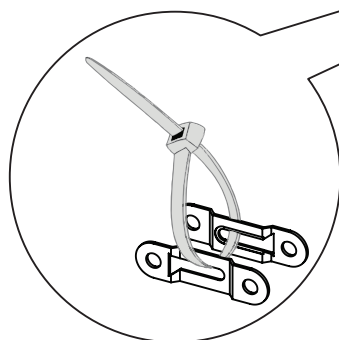


5. Drag the dresser carefully until you meet the screw's head.
Fit the screw into the lock as the picture below.

Step 34



Put the two pieces together
and insert the seal.



TAKING GOOD CARE OF YOUR FURNITURE

Cleaning and caring instructions:

- Wipe the wood furniture down with a moist cloth to properly clean the furniture.
- Do not forget to dry your furniture out. Humidity can damage the finish or create mould.
- Chemical products are not recommended;
- Never clean the furniture with scouring powders, steel scrubber pads or any other product which can scratch its
- Furniture surfaces should not be covered with colored plastic or paper sheets.
- Avoid dragging objects on top of the furniture. They might scratch the finishing.
- Wood furniture are made of mould and termites resistant materials, however, it is recommended to use termiticides
in infested places before installing the furniture.
- Avoid furniture exposure to direct Sun light. Drapers suggested.

