

ACCENTUATIONS
by MANHATTAN COMFORT

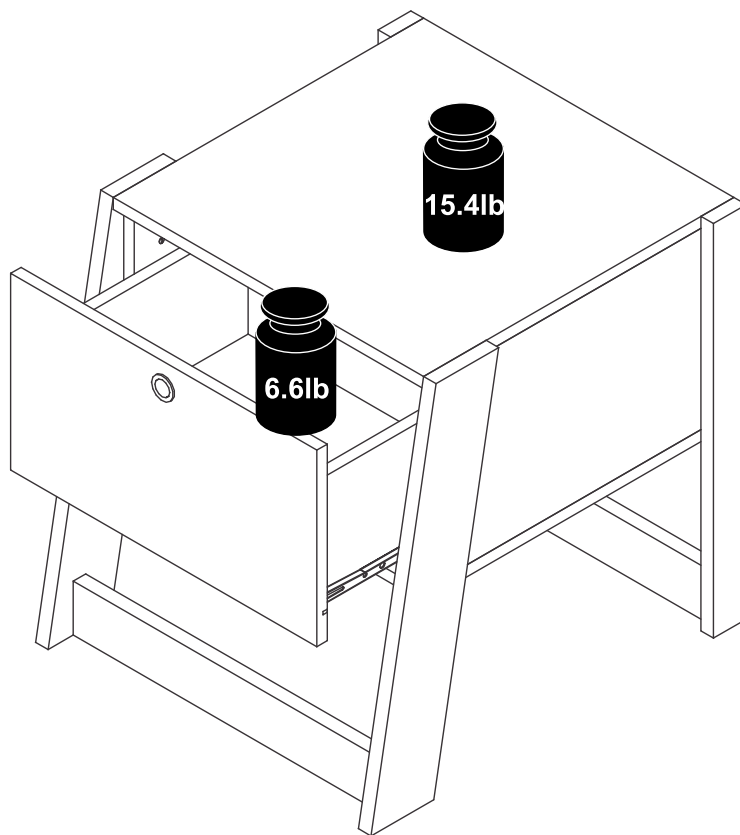


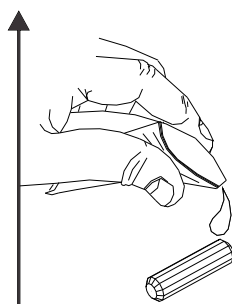
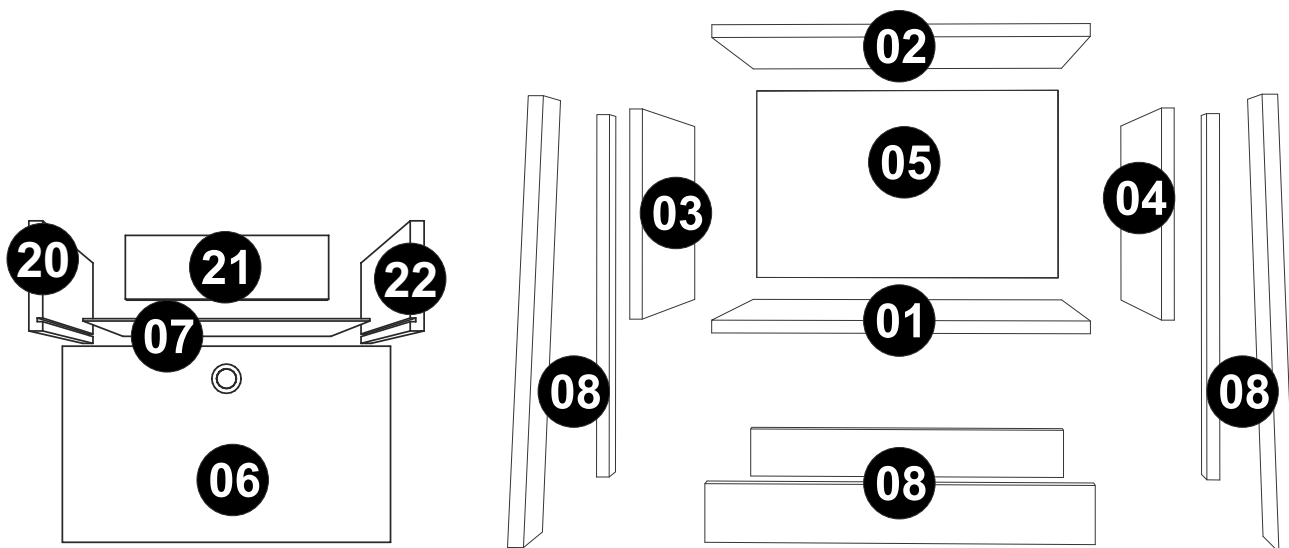
Salvador Nightstand

Model: 112AMC143

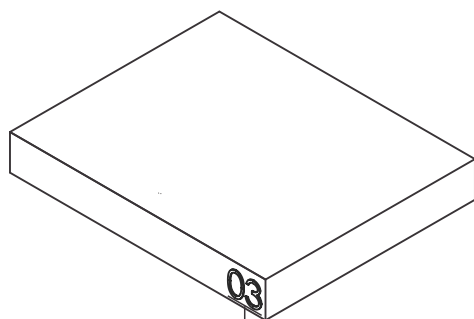
Dimensions:

W: 18.94" H: 20.28" D: 21.02"





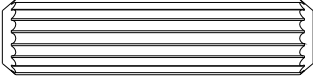
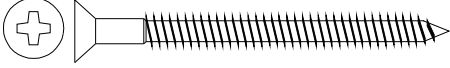




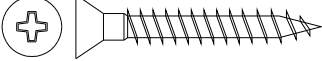
**Easy-to-fit drawers,
just dowel and glue.*

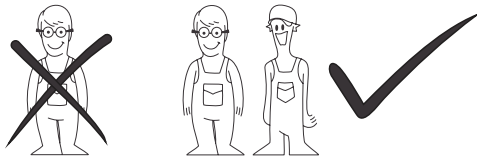
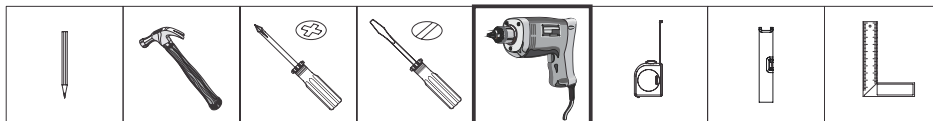


**USE ALCOHOL TO
REMOVE PART
NUMBERS**

PART	DESCRIPTION	QTY.
01	Base	01
02	Top	01
03	Right Side	01
04	Left Side	01
05	Back	01
06	Drawer Front	01
07	Drawer Botton	01
08	Feet	01
20	Right Drawer Side	01
21	Back Drawer	01
22	Left Drawer Side	01

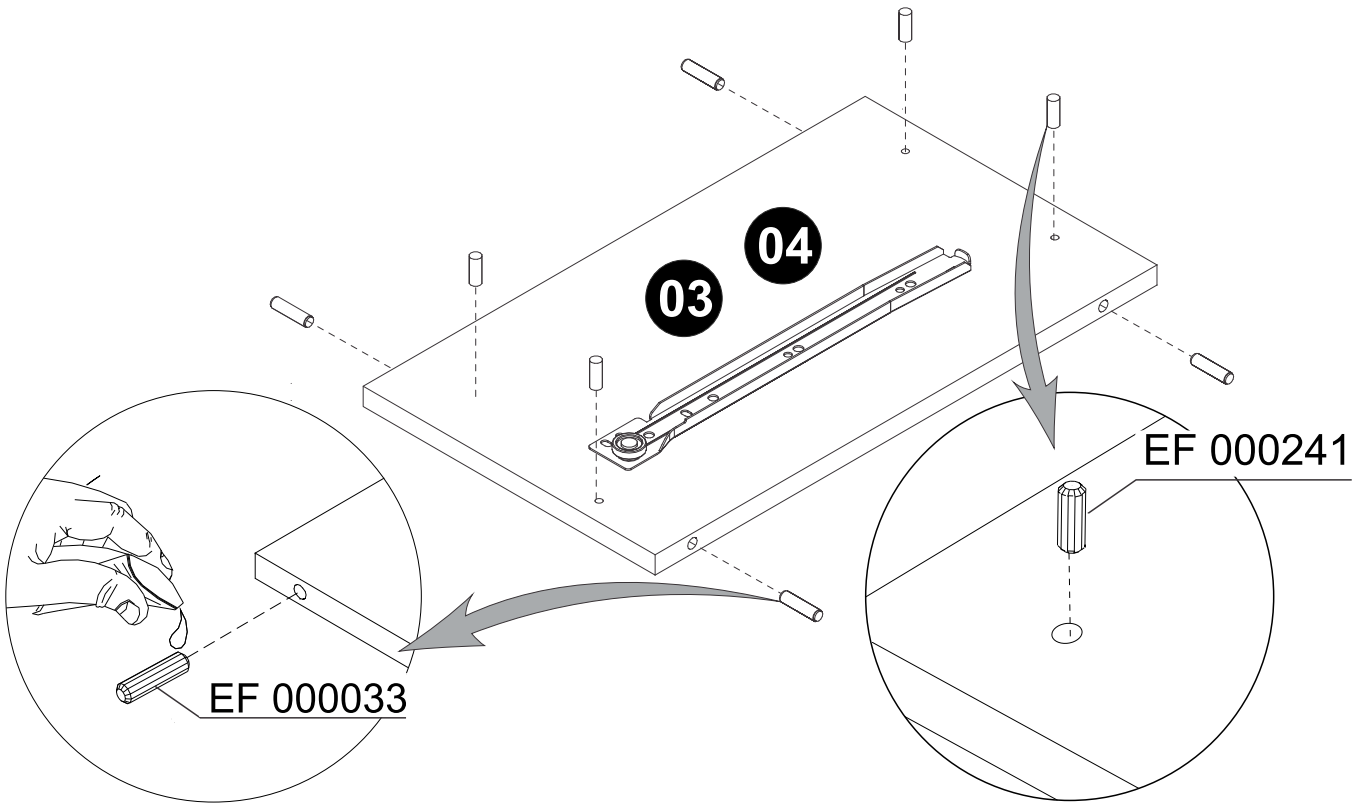
HARDWARE PARTS

PHOTO	CODE	QTY.
	EF 000033	24
	EF 000132	04
	EF 000241	08
	EF 000008	02
	EF 000168	20
	HANDLE	01
	EF 000128	08

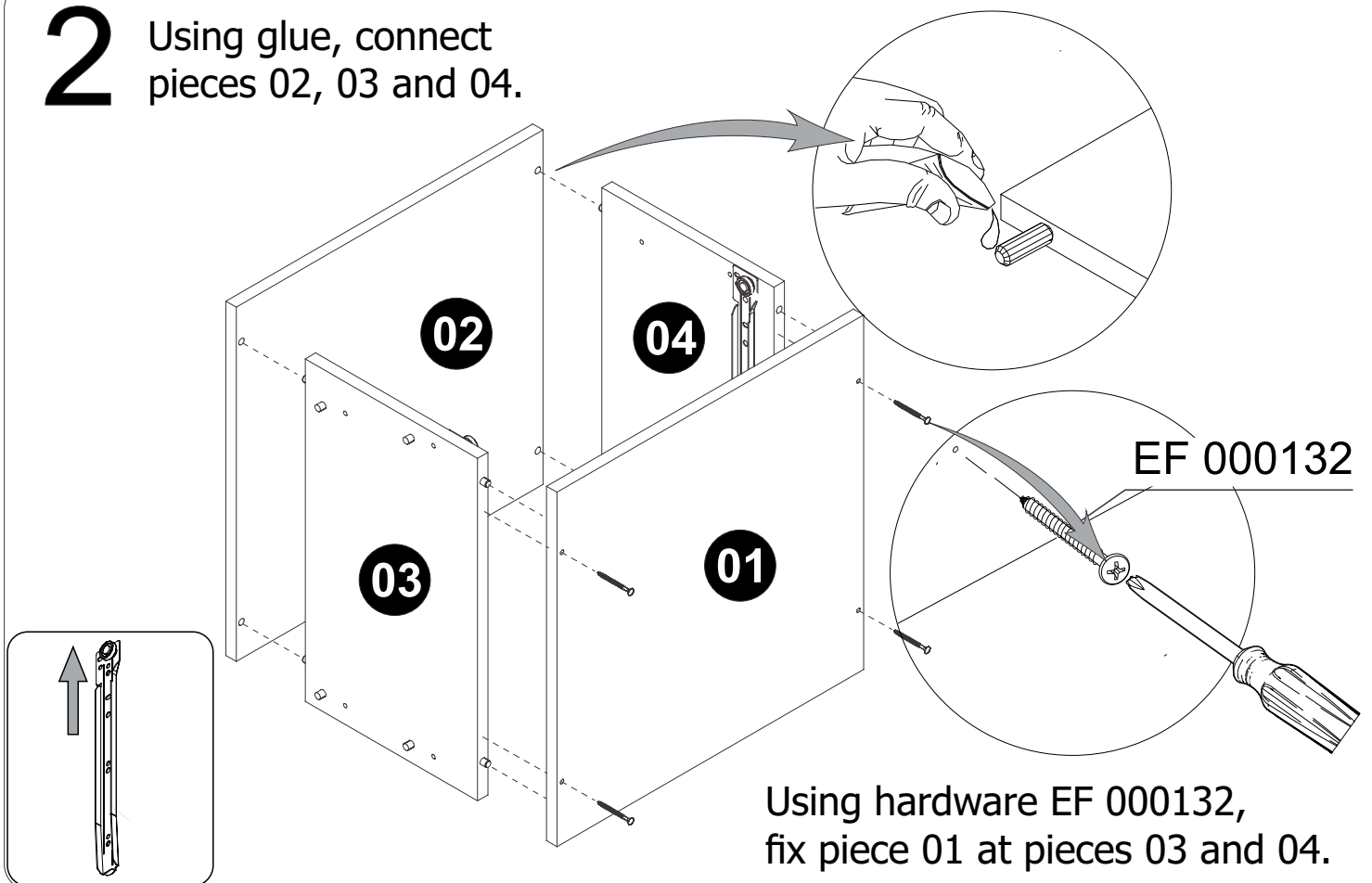


TO IMPROVE ASSEMBLY, USE AN ELECTRONIC SCREWDRIVER

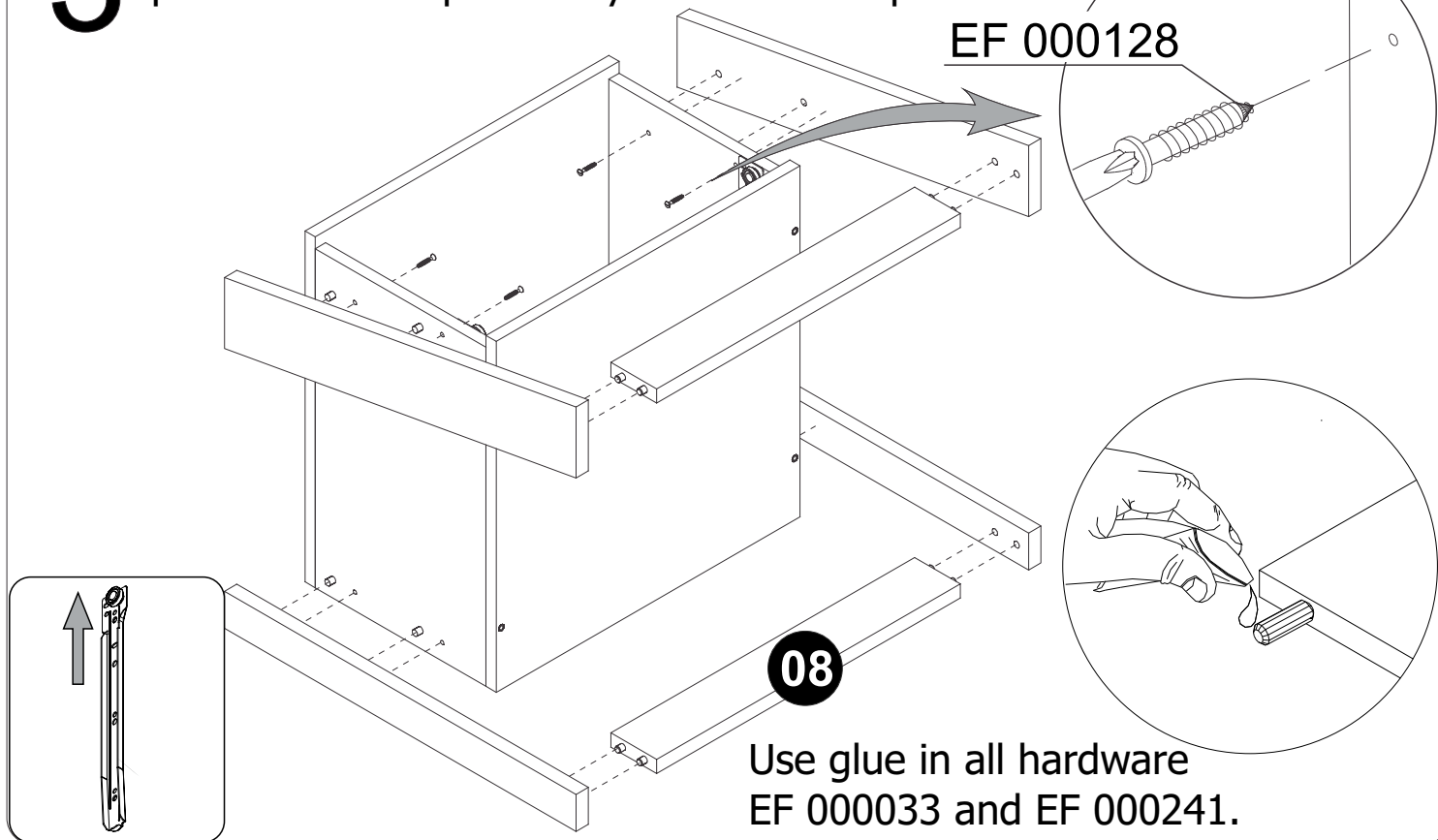
1 Using glue, fix hardware EF 000241 and EF 000033 at pieces 03 and 04, consider indicated places to each hardware.



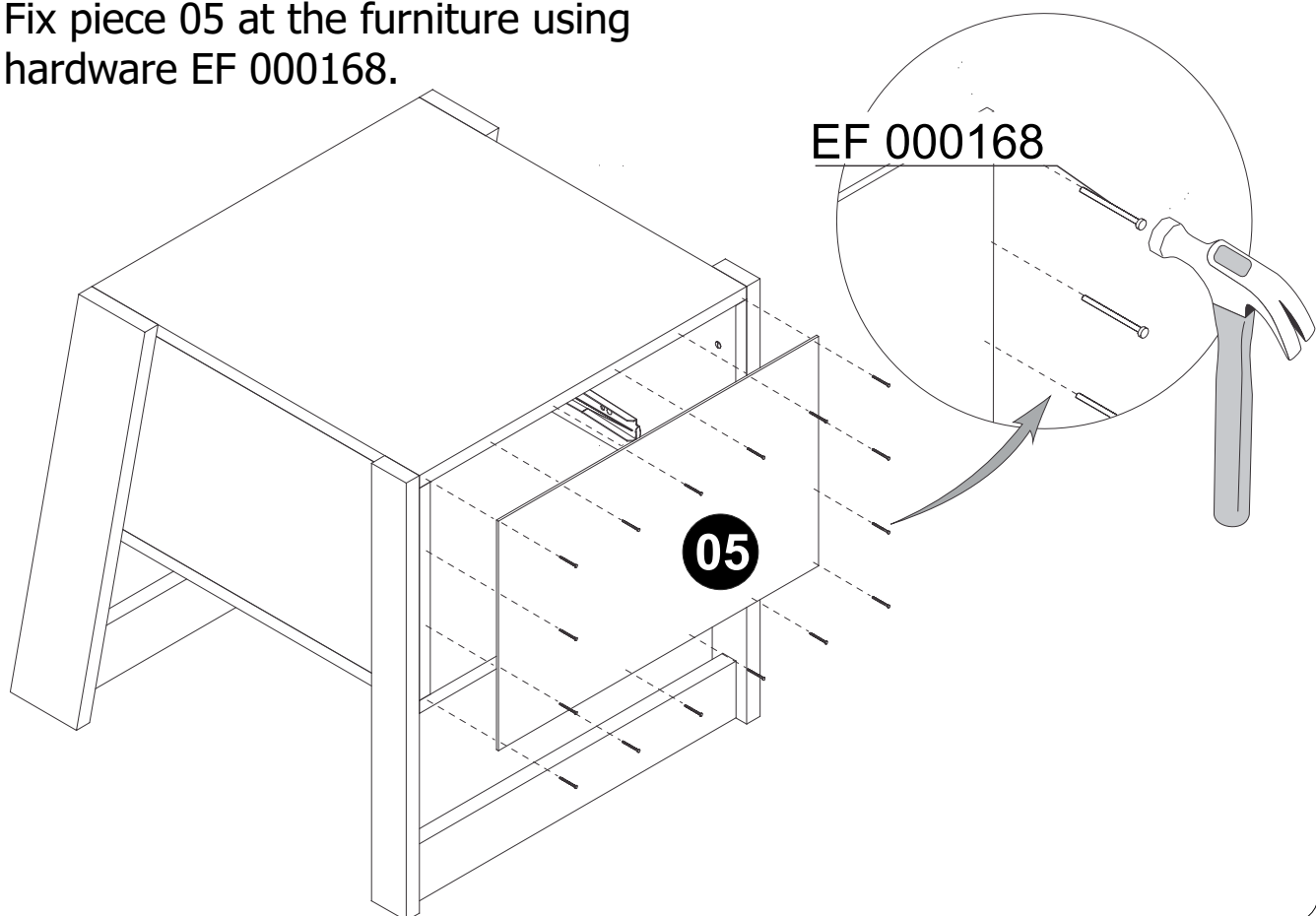
2 Using glue, connect pieces 02, 03 and 04.



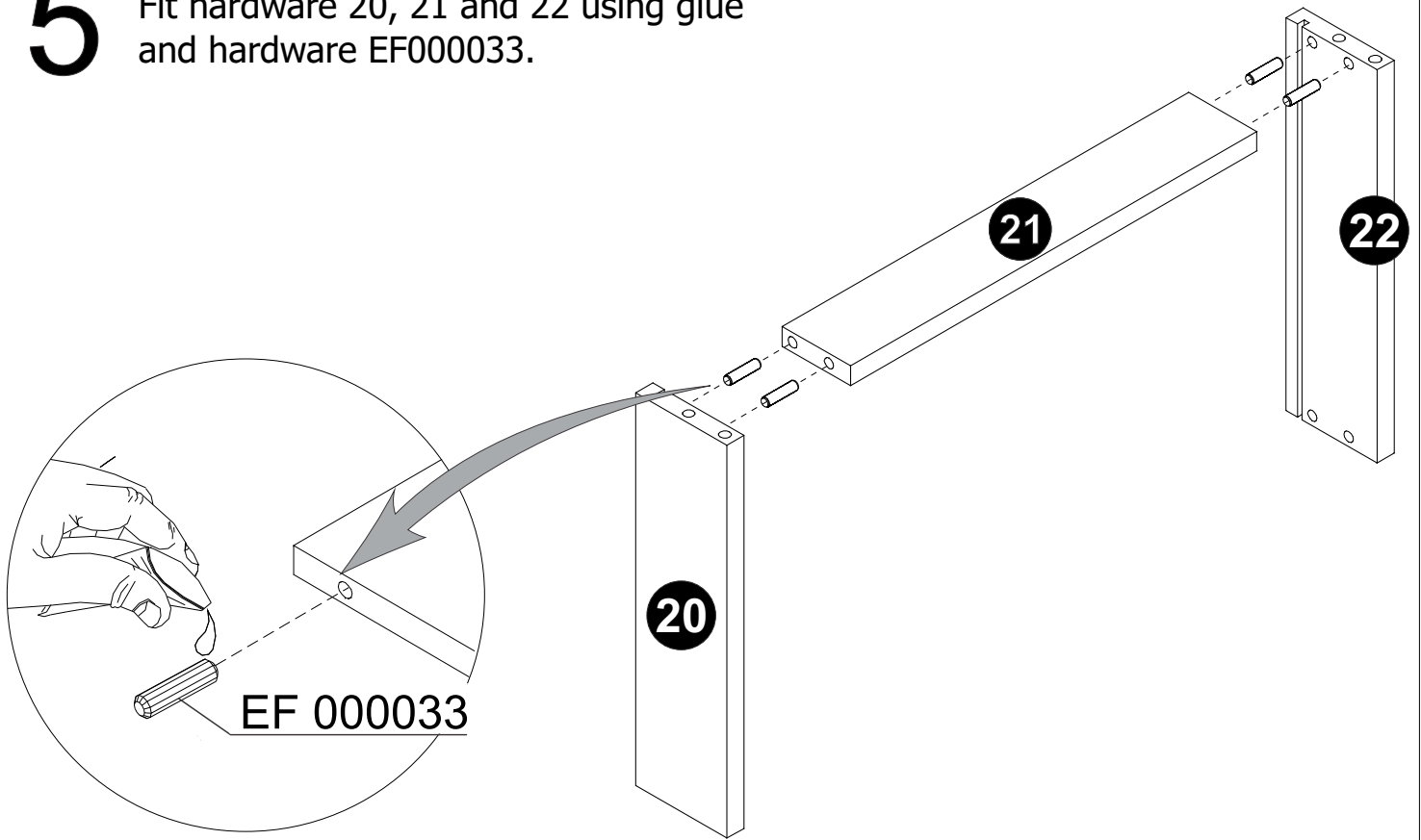
3 Use hardware EF 000128 to fix wood pieces 08 at the part assembled previously. Consider the picture.



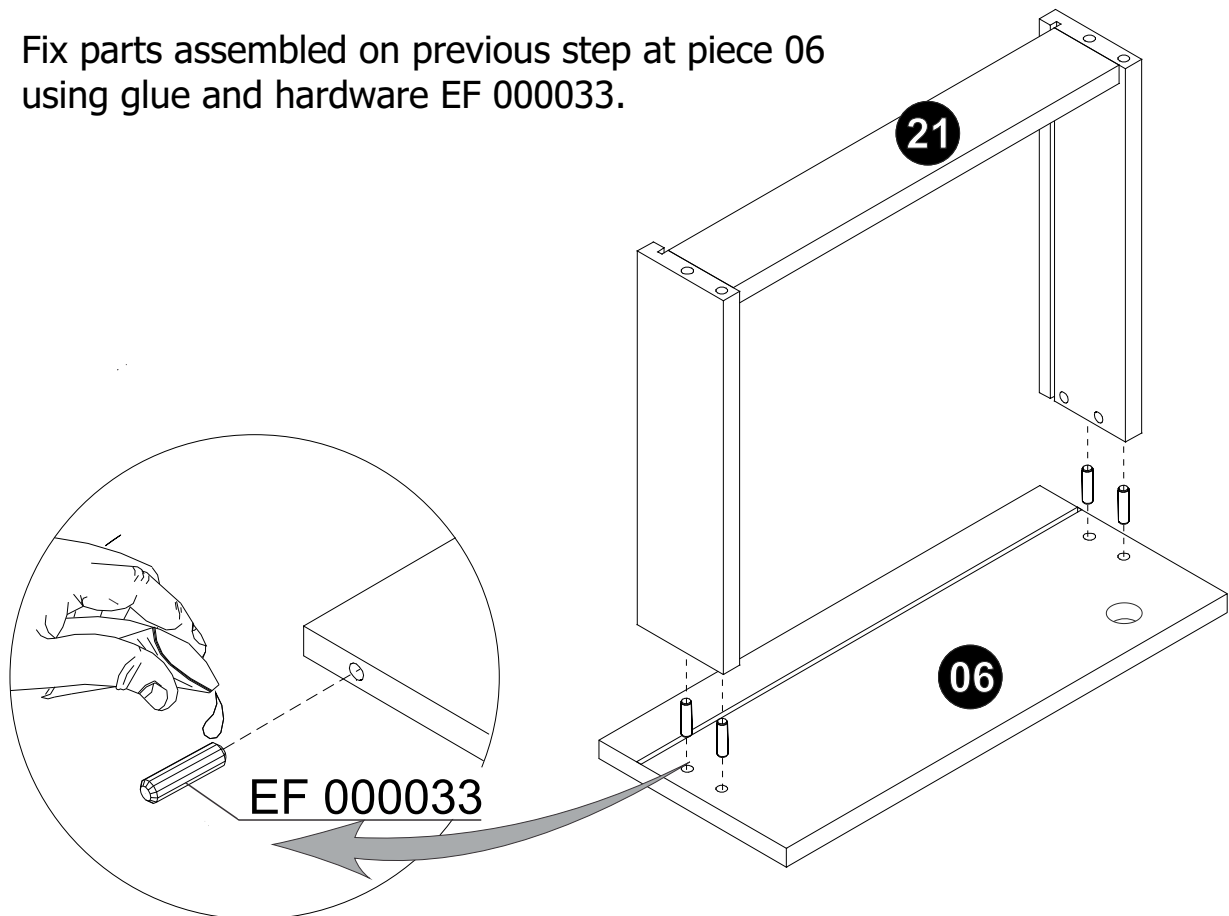
4 Fix piece 05 at the furniture using hardware EF 000168.



5 Fit hardware 20, 21 and 22 using glue and hardware EF000033.

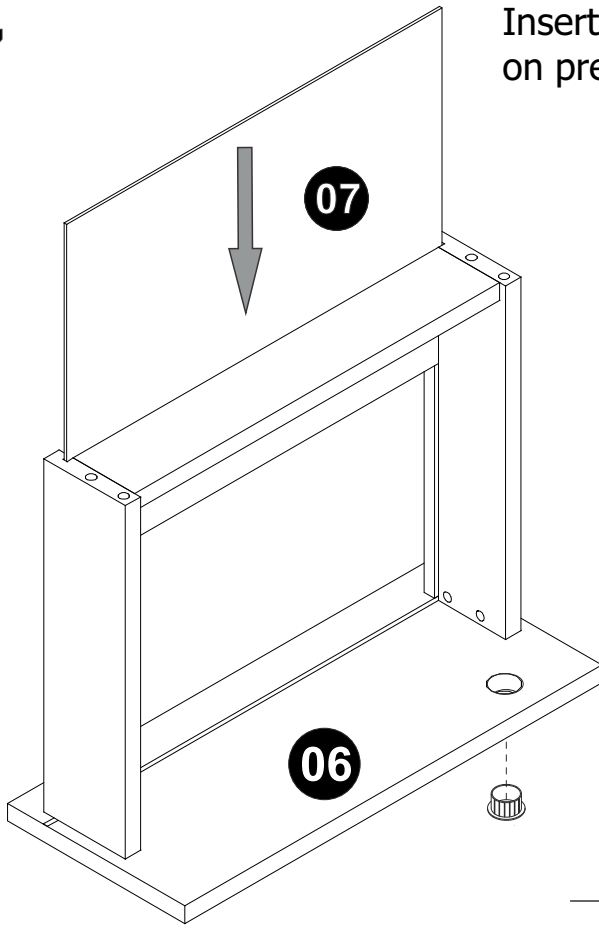


6 Fix parts assembled on previous step at piece 06 using glue and hardware EF 000033.

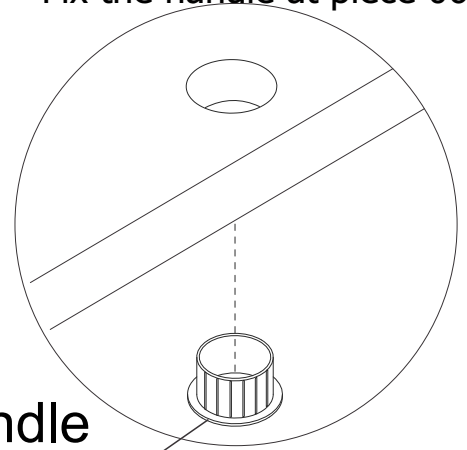


7

Insert piece 07 into the part assembled on previous step, according the picture.



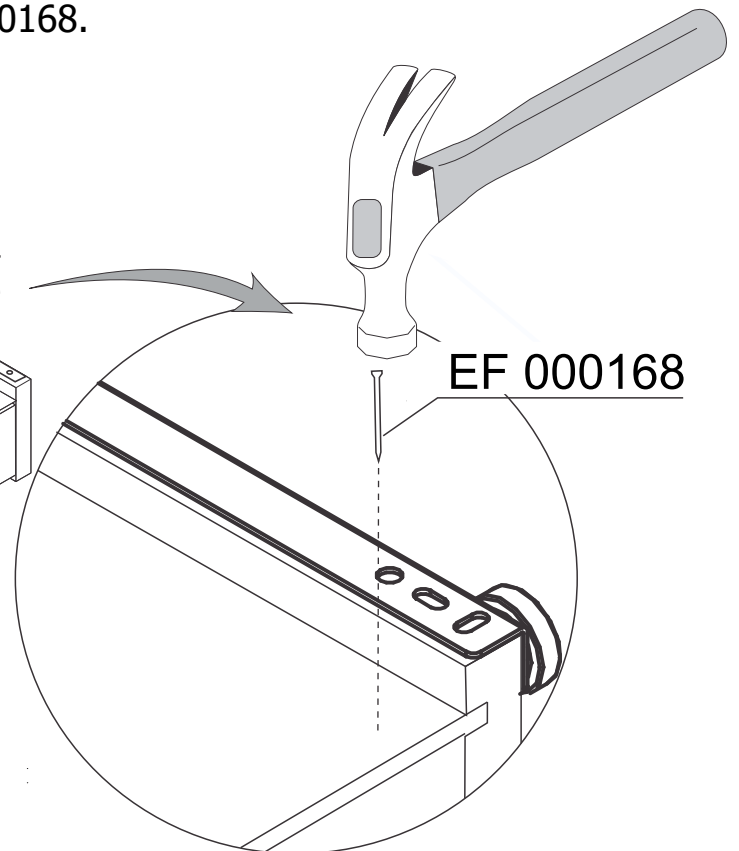
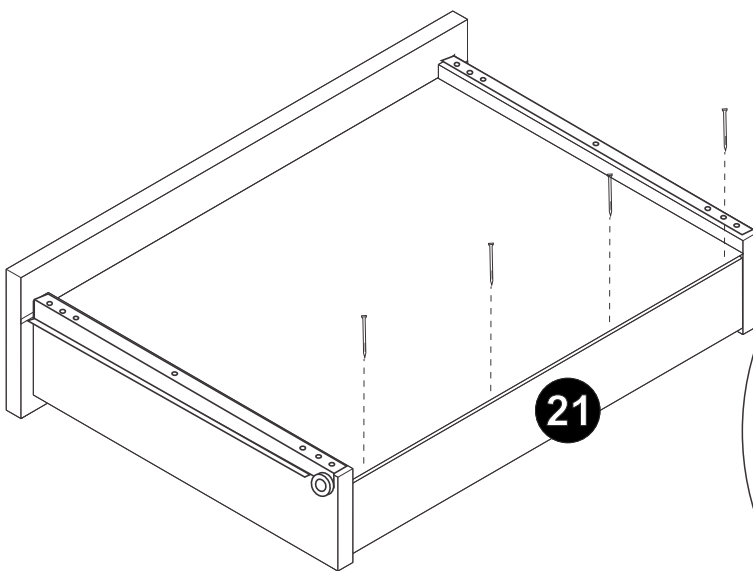
Fix the handle at piece 06.



Handle

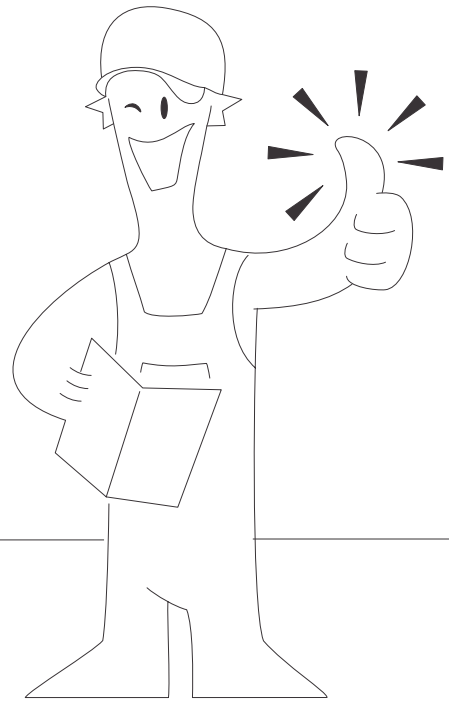
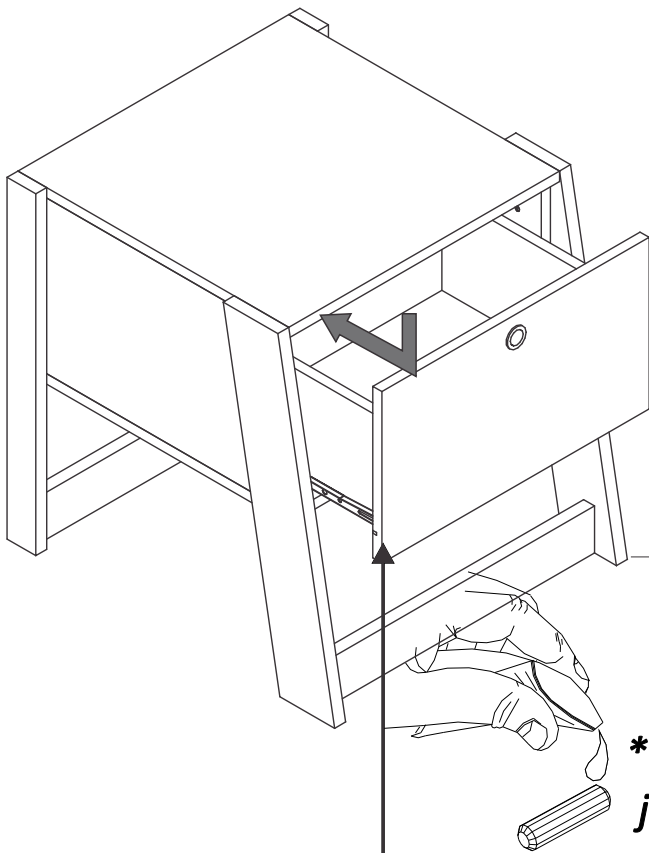
8

Fix piece 21 using hardware EF000168.

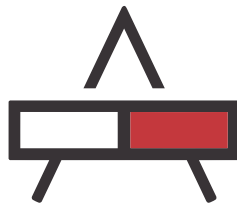


To ensure the fixing, let dry for **8 hours**.

To ensure the fixing, let dry for **8 hours**.



****Easy-to-fit drawers,
just dowel and glue.***



ACCENTUATIONS

by MANHATTAN COMFORT