

ACCENTUATIONS
by MANHATTAN COMFORT

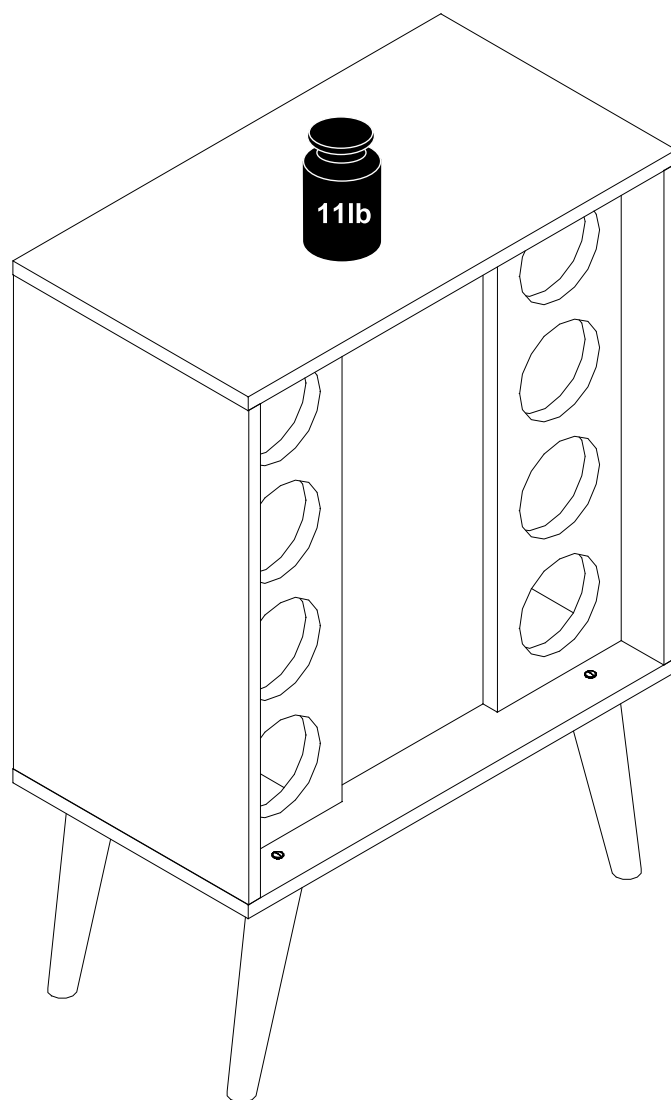


Wine Cabinet

Model: 109AMC156

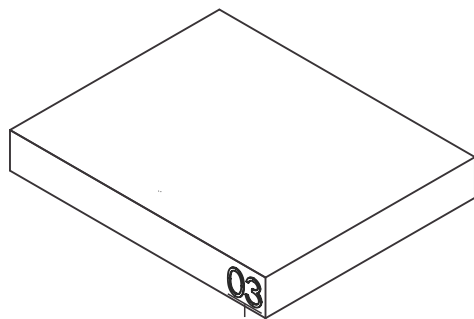
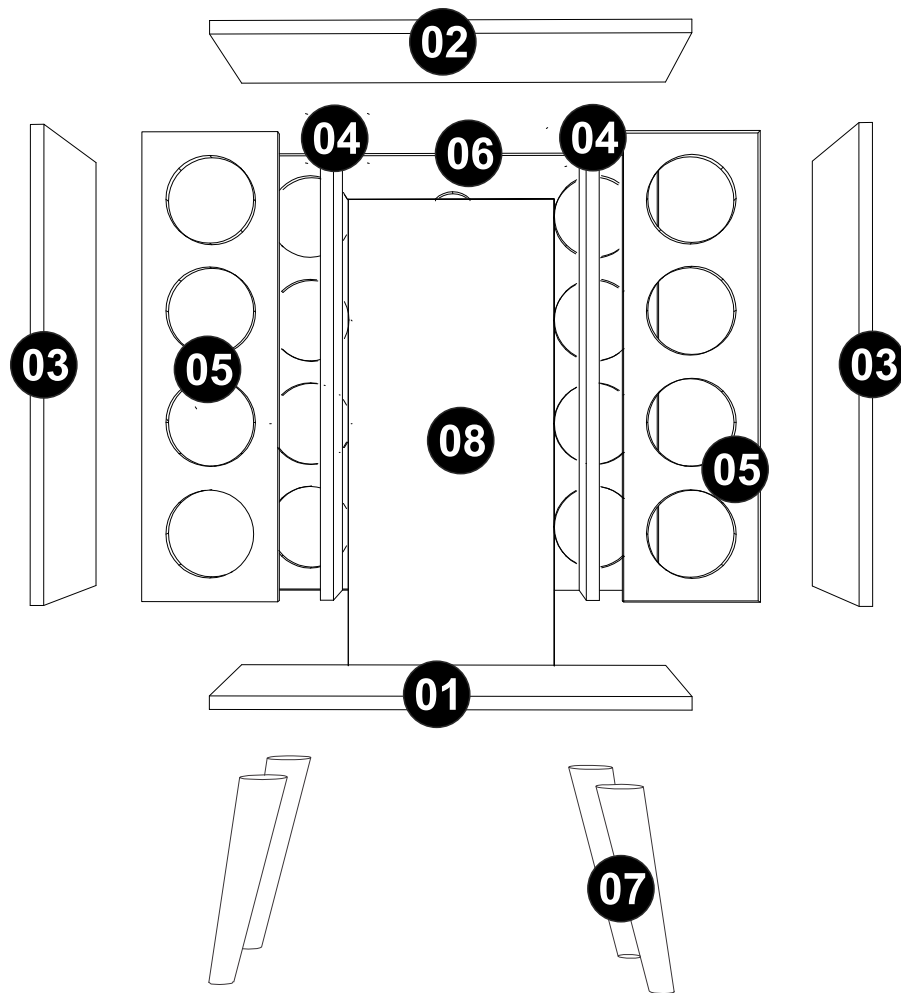
Dimensions:

W: 35.43" H: 24.8" D: 13.78"



07/17

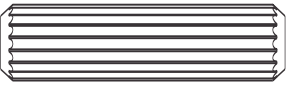
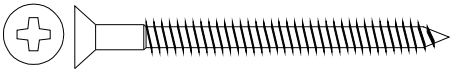
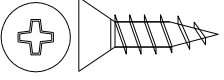

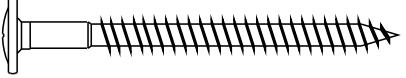
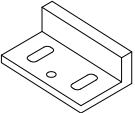


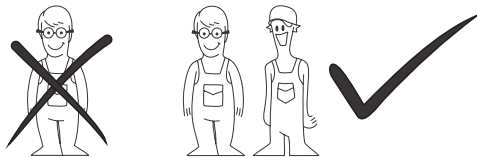
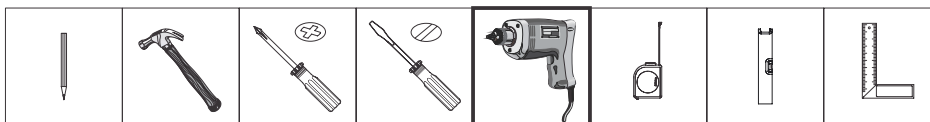


USE ALCOHOL TO REMOVE PART NUMBERS

PART	DESCRIPTION	QTY.
01	Top	01
02	Base	01
03	Side	02
04	Front	02
05	Partition	02
06	Back	01
07	Feet	04
08	Glass Front	01

HARDWARE PARTS

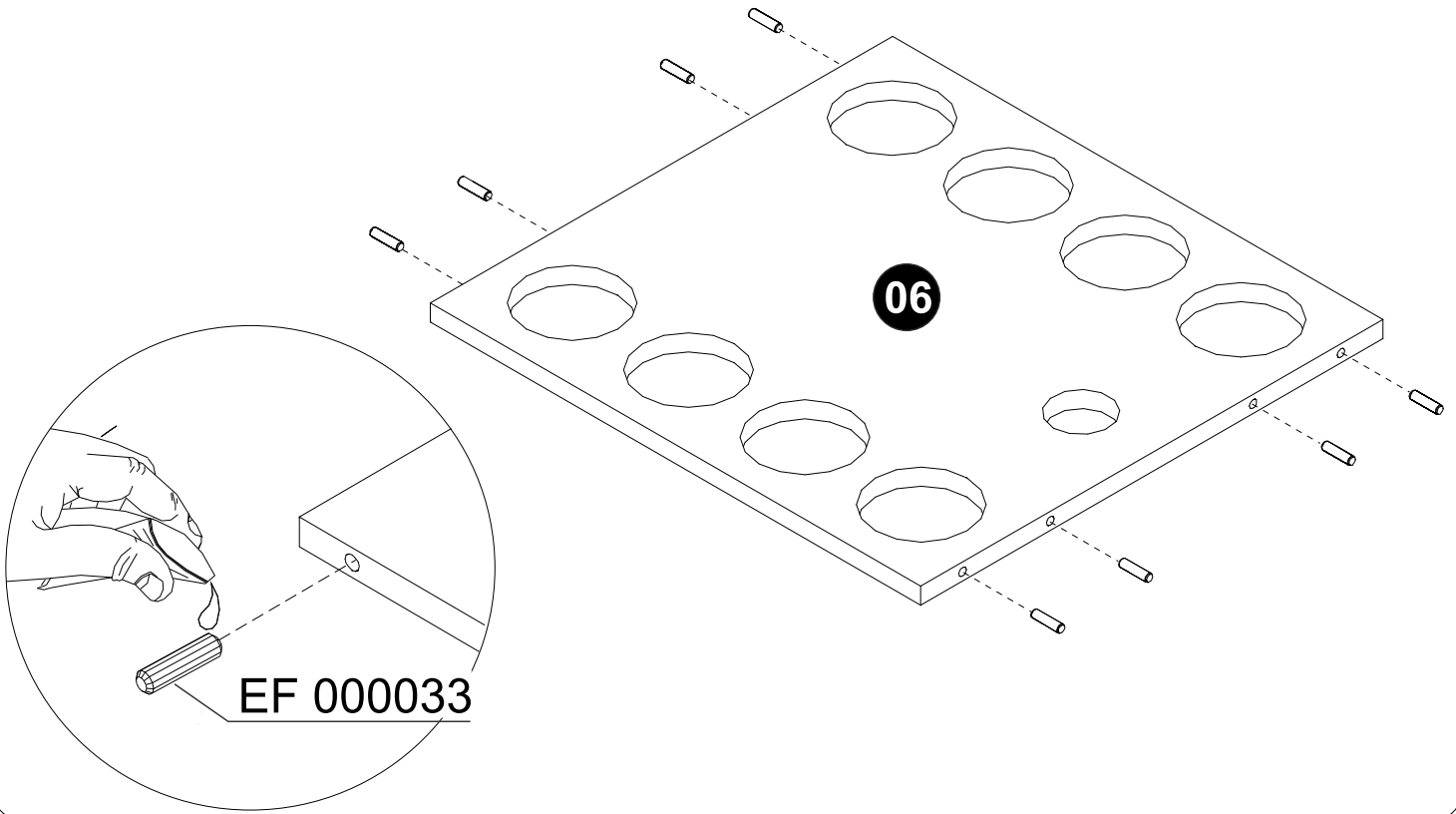
PHOTO	CODE	QTY.
	EF 000033	32
	EF 000132	04
	EF 000106	04
	EF 000008	02
	EF 000246	04
	EF 000169	02



TO IMPROVE ASSEMBLY, USE AN ELECTRONIC SCREWDRIVER

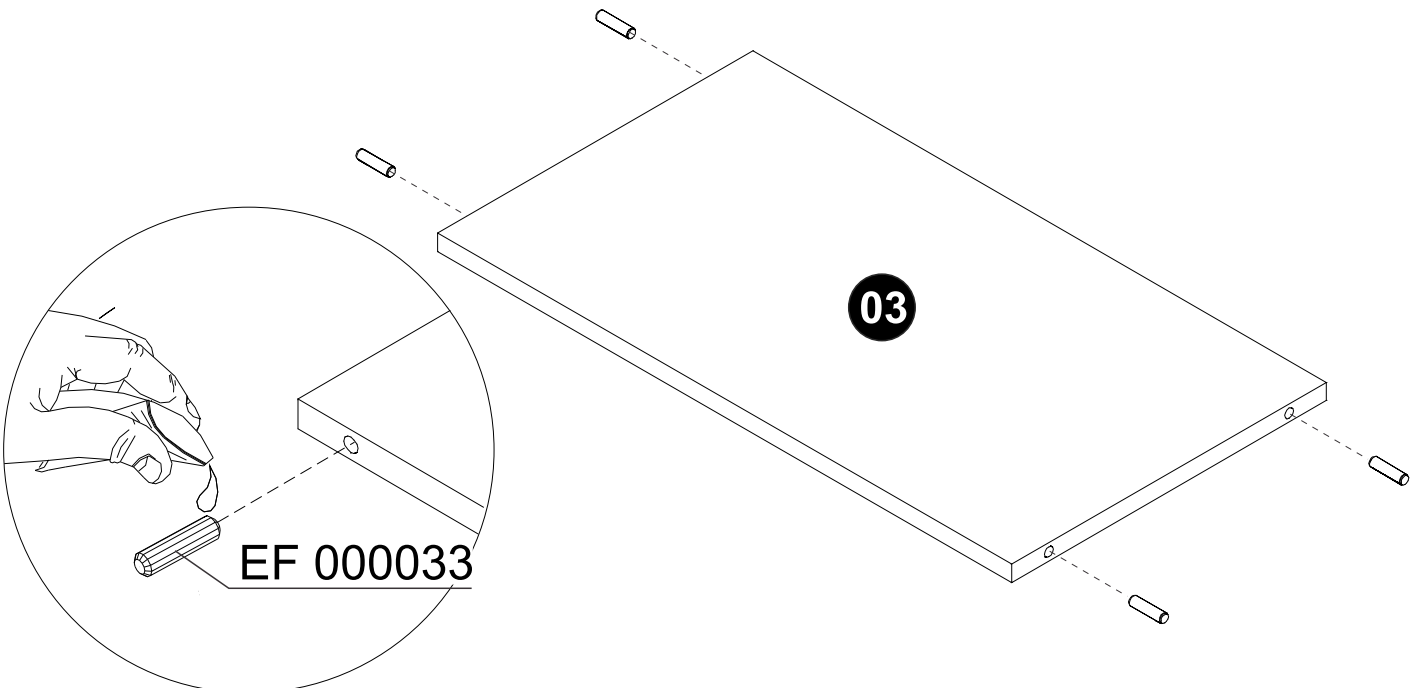
1

Fix hardware EF 000033 at piece 06 using glue.



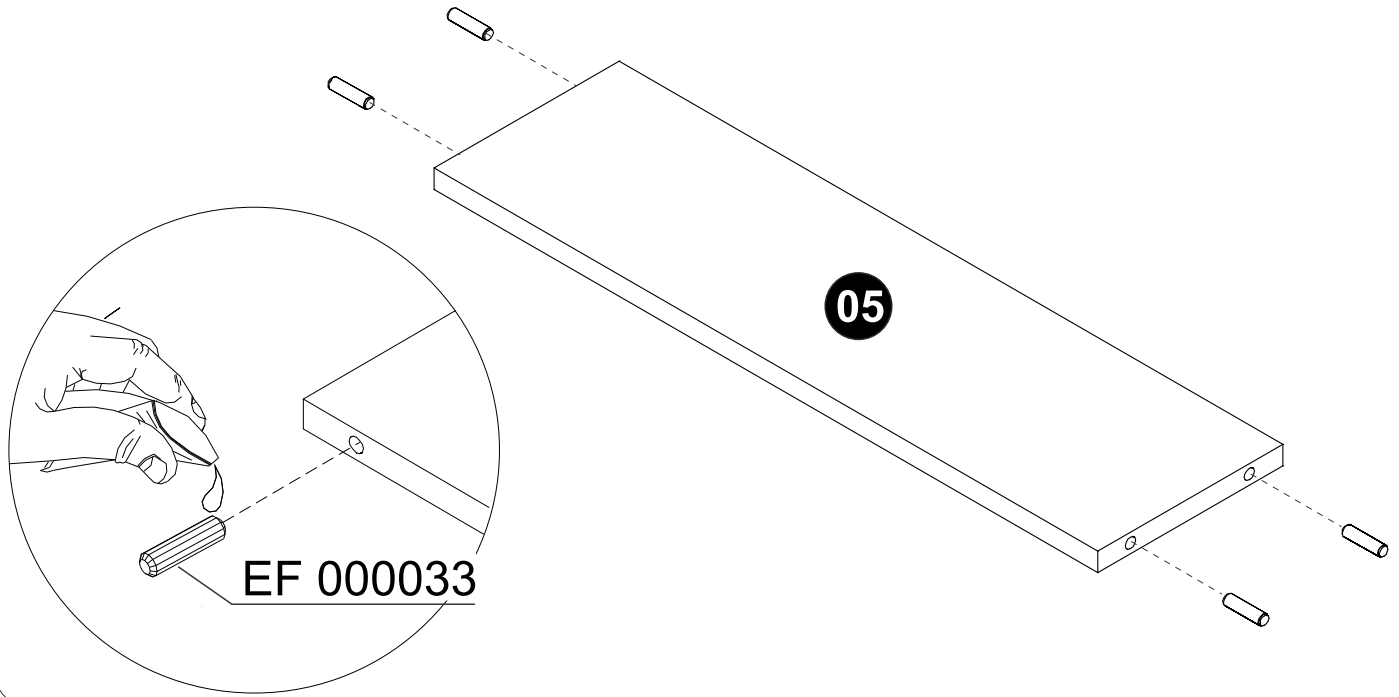
2

Fix hardware EF 000033 at piece 03 using glue.



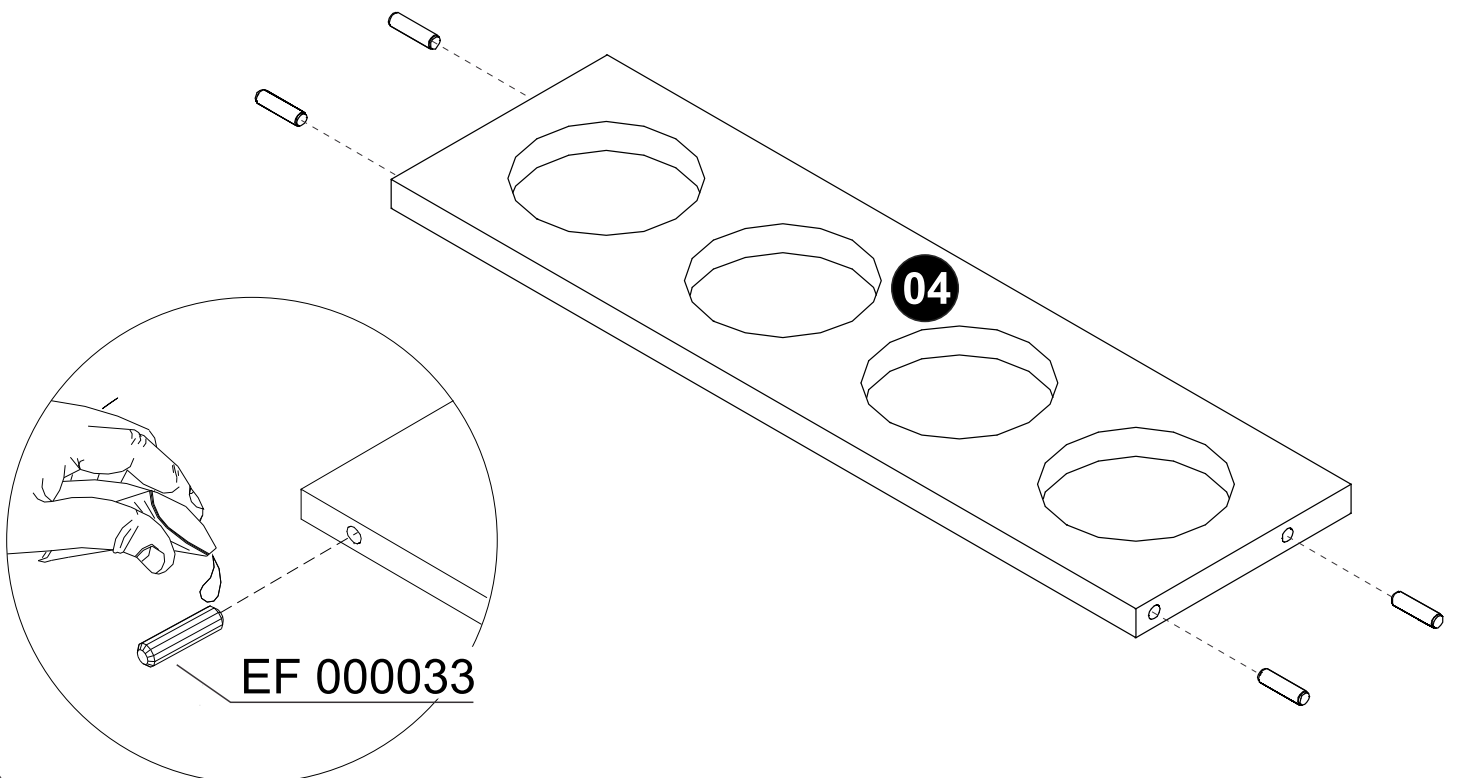
3

Fix hardware EF000033 at piece 05 using glue.



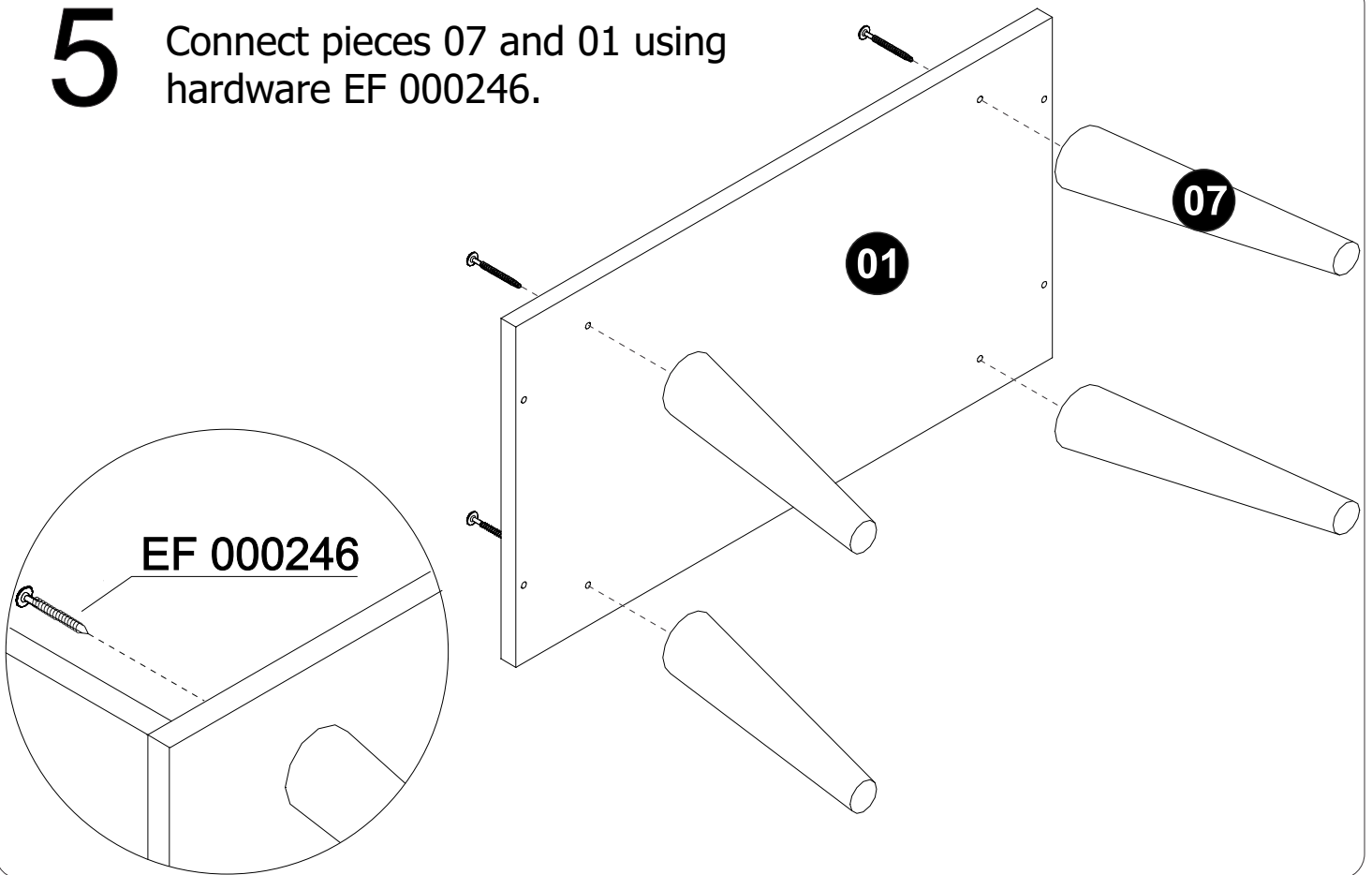
4

Fix hardware EF 000033 at piece 04 using glue.

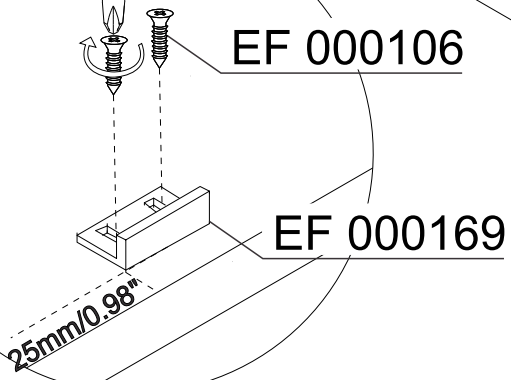
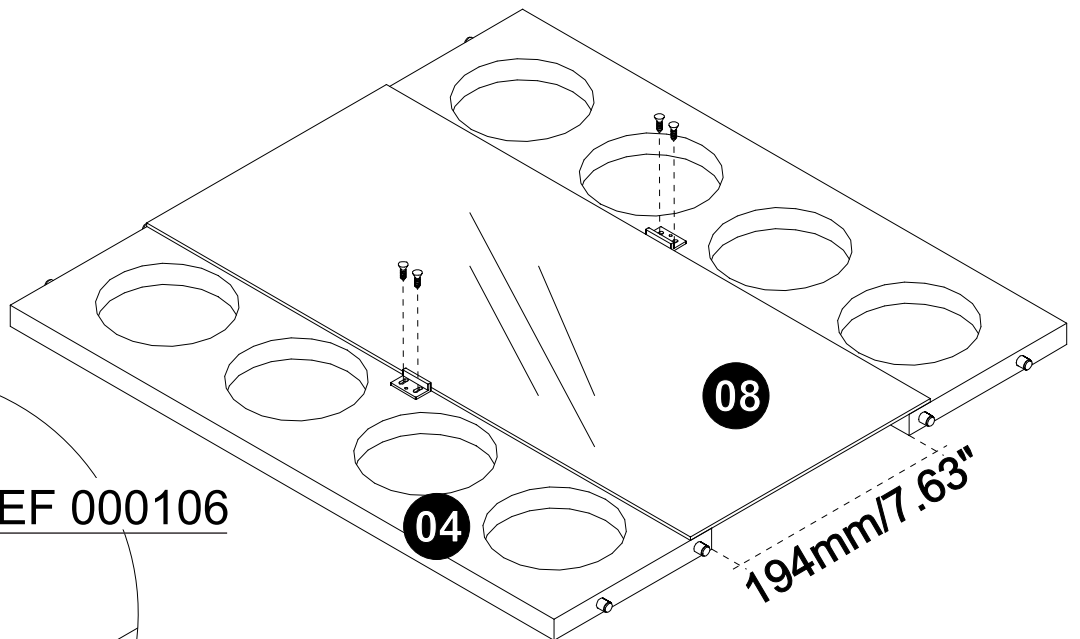


5

Connect pieces 07 and 01 using hardware EF 000246.



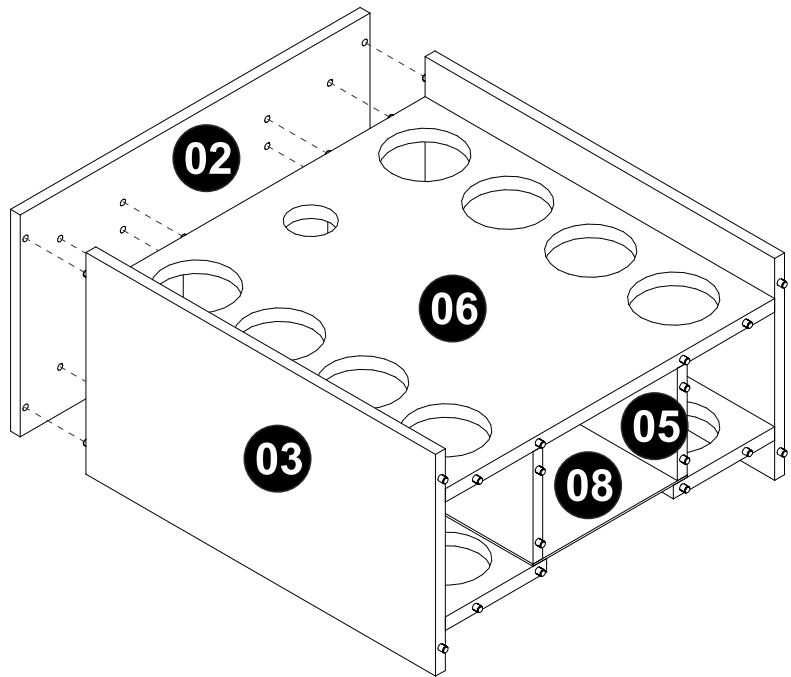
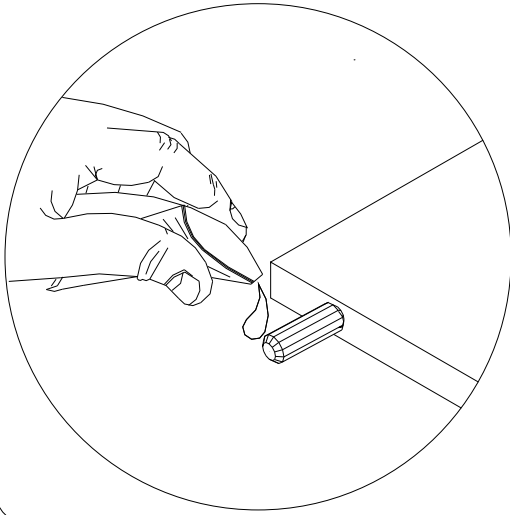
6



Considering the indicated measure, fix piece 08 (glass) at pieces 04, using hardware EF 000169 and EF 000106.

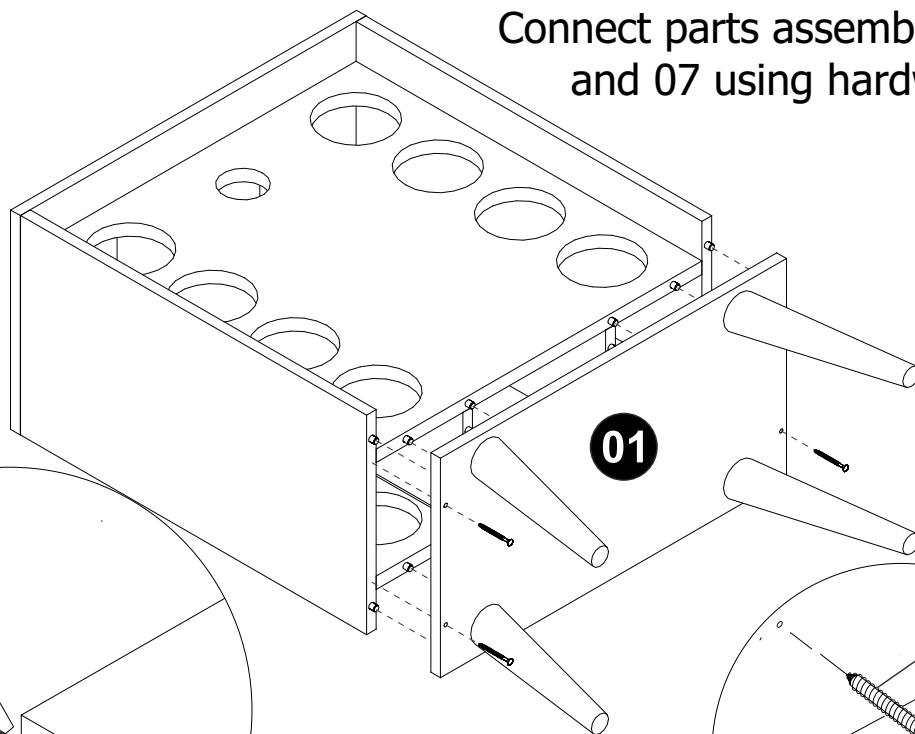
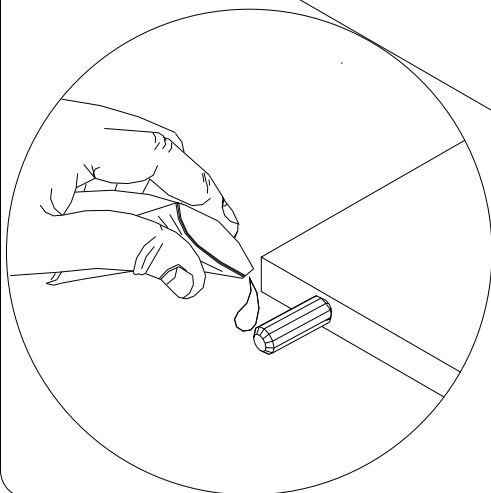
7

Connect pieces 02, 03, 05 and 06 to the part assembled on previous step using glue.

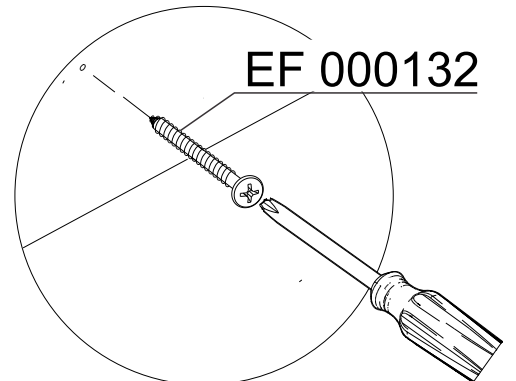


8

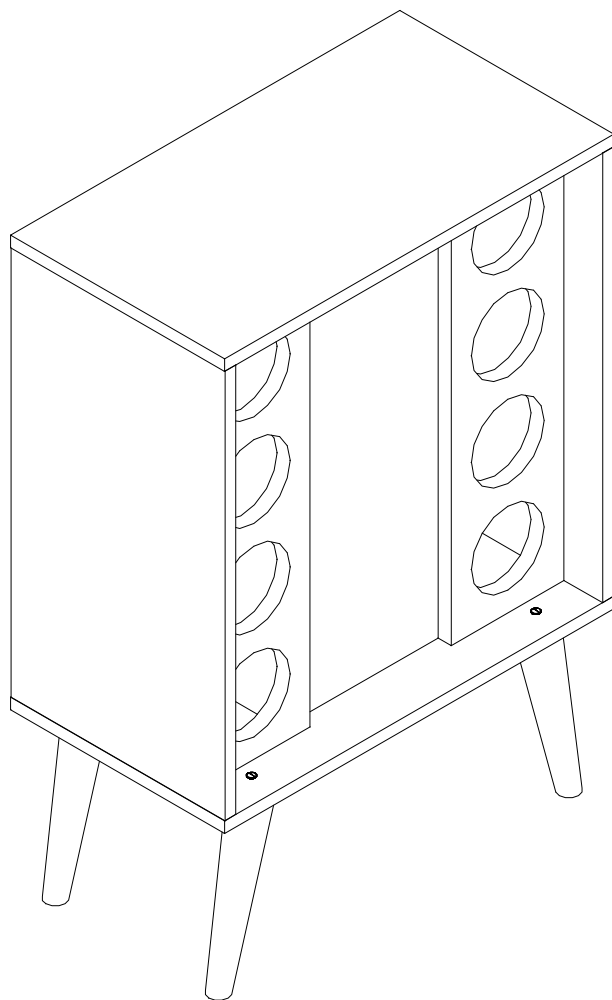
Connect parts assembled on steps 5, 6 and 07 using hardware EF 000132.

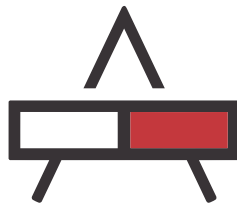


EF 000132



To ensure the fixing, let dry for **8 hours**.





ACCENTUATIONS

by MANHATTAN COMFORT