

**ACCENTUATIONS**

by MANHATTAN COMFORT

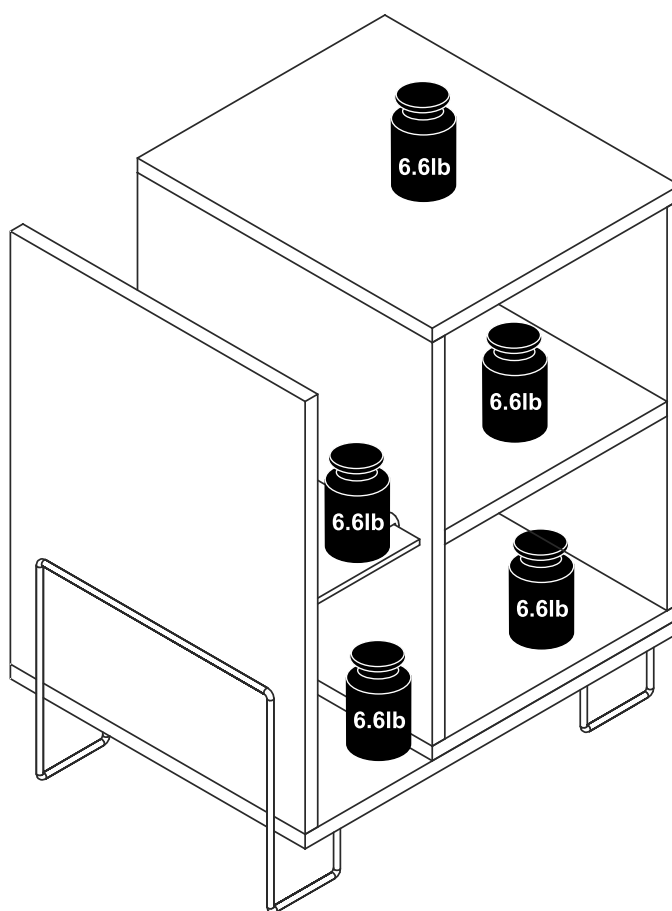


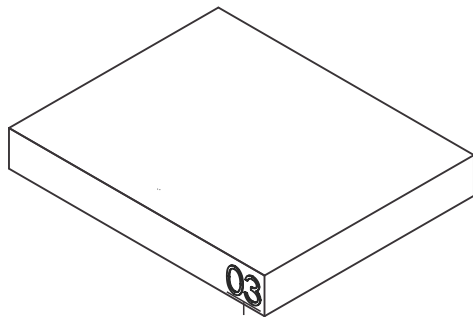
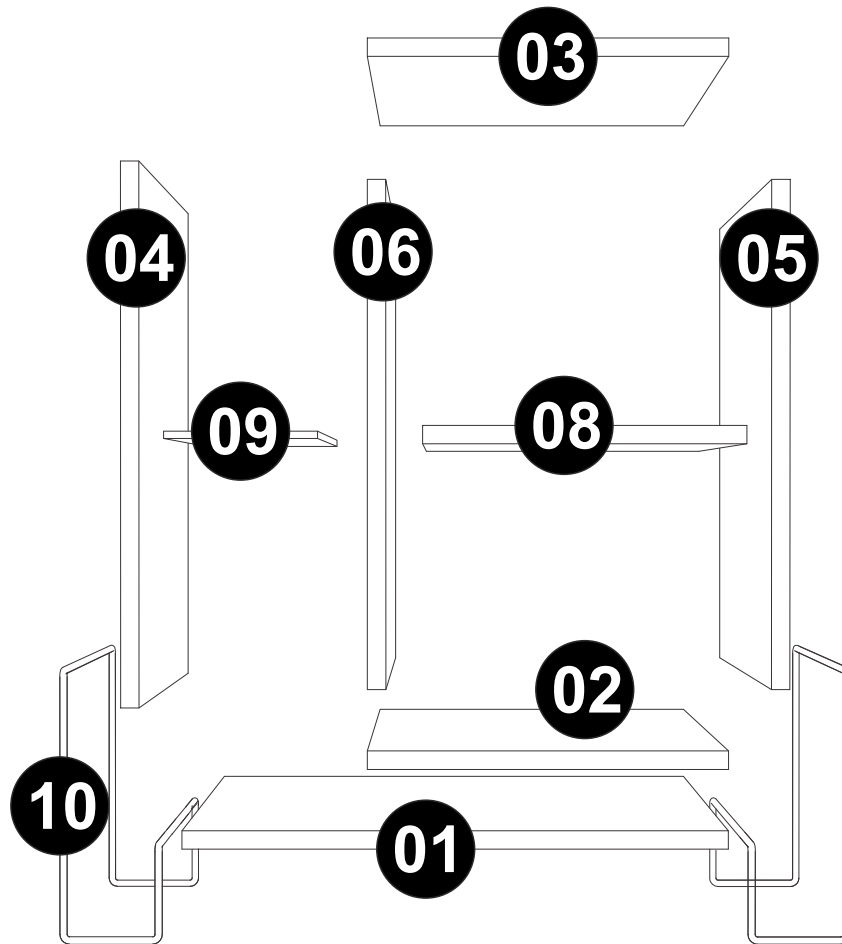
## Boden Bookcase 2.0

Model: 99AMC128, 99AMC47

# Dimensions:

W: 17.52" H: 21.26" D: 13.78"



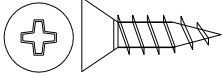

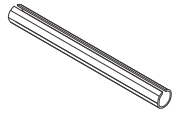




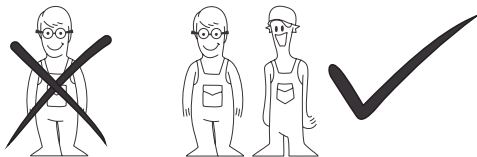
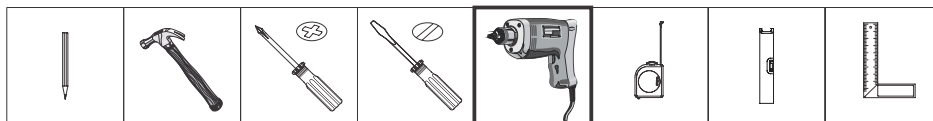


**USE ALCOHOL TO  
REMOVE PART  
NUMBERS**

PART	DESCRIPTION	QTY.
01	Base	01
02	Lower Base	01
03	Top	01
04	Left Side	01
05	Right Side	01
06	Partition	01
08	Shelf	01
09	Glass Shelf	01
10	Feet	02

## HARDWARE PARTS

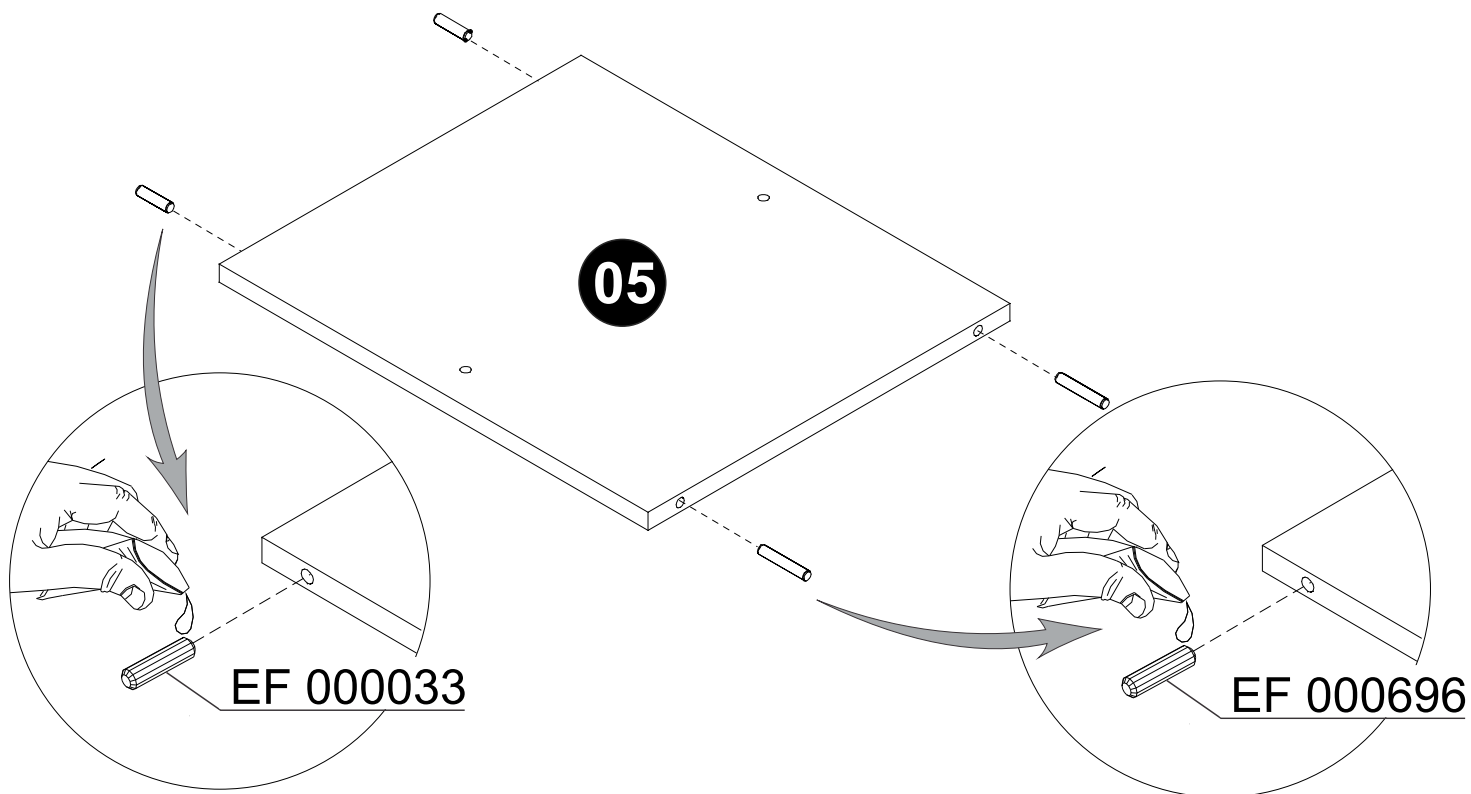
PHOTO	CODE	QTY.
	EF 000033	10
	EF 000139	06
	EF 000107	04
	EF 000008	02
	EF 000688	04
	EF 000696	04
	EF 000713	04



**TO IMPROVE ASSEMBLY, USE AN ELECTRONIC SCREWDRIVER**

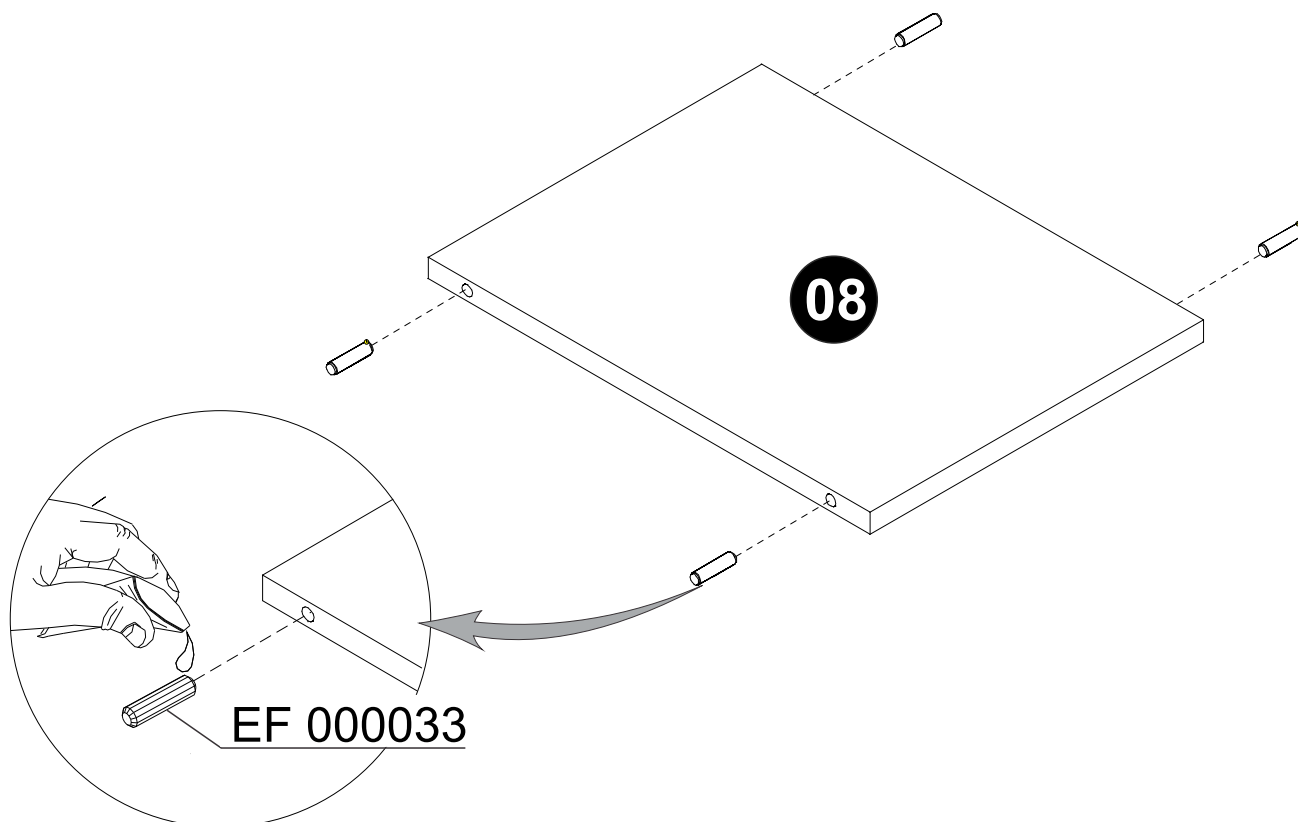
# 1

Using glue, insert hardware EF 000033 into piece 05.



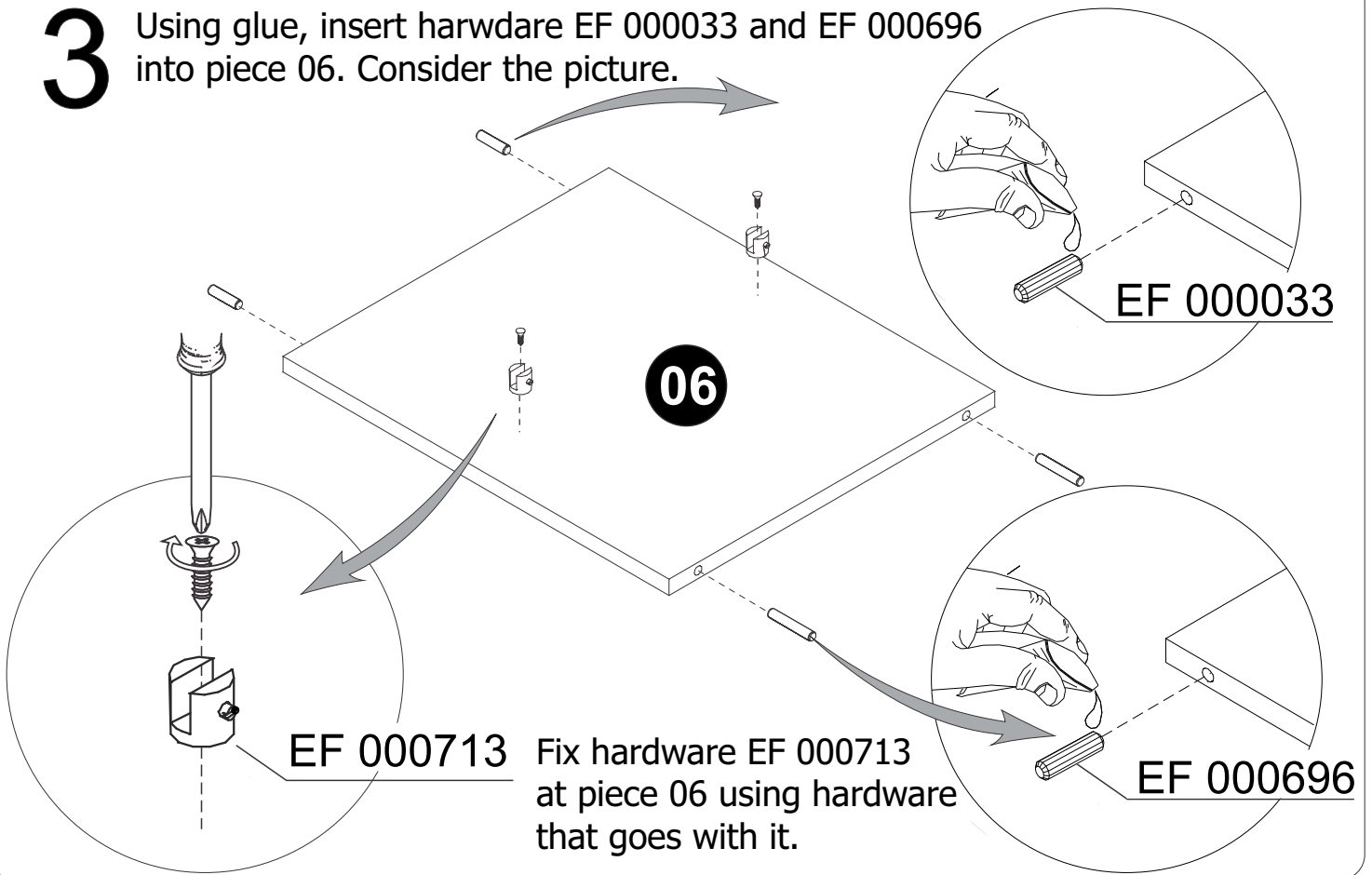
# 2

Using glue, insert hardware EF 000033 into piece 08.



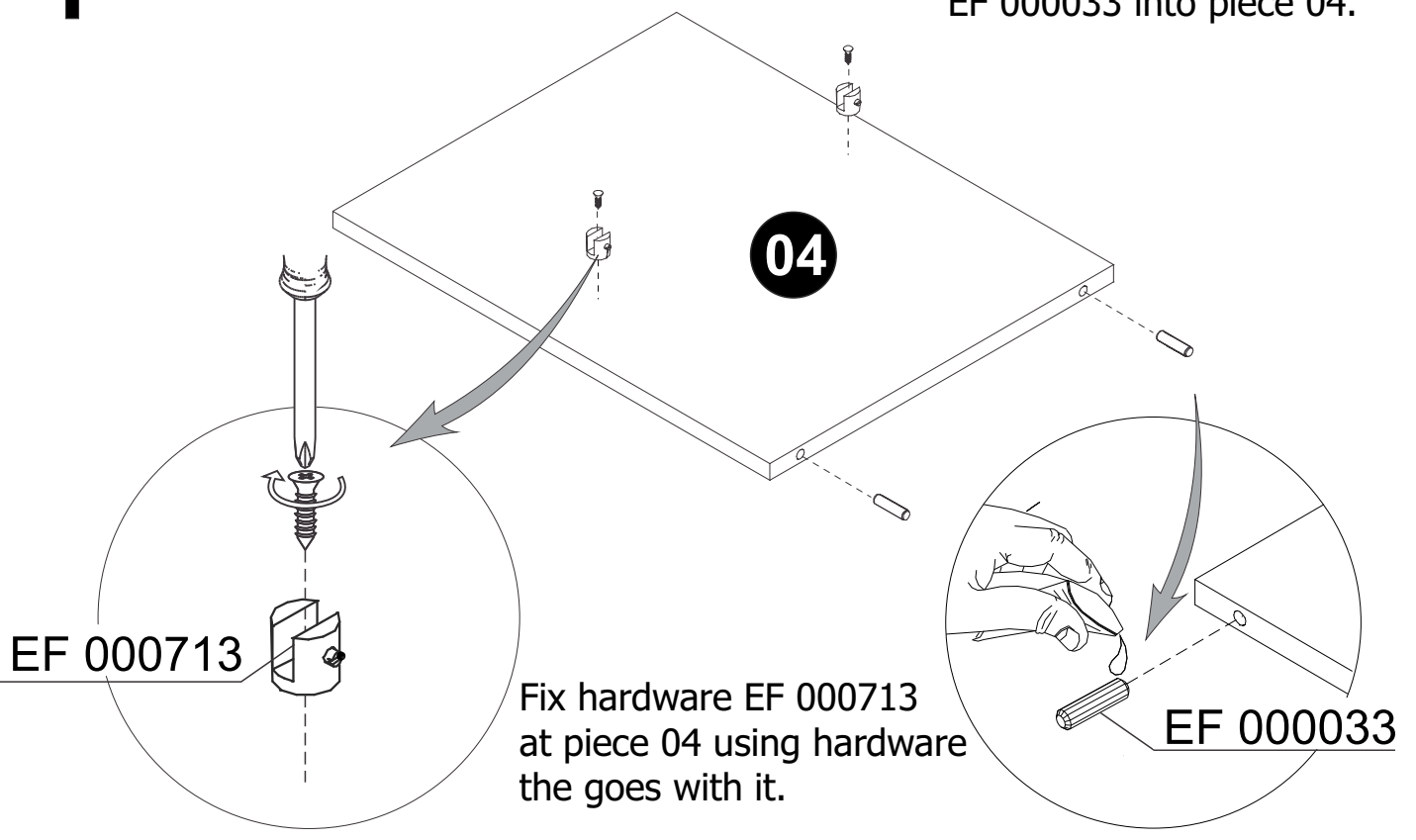
# 3

Using glue, insert hardware EF 000033 and EF 000696 into piece 06. Consider the picture.



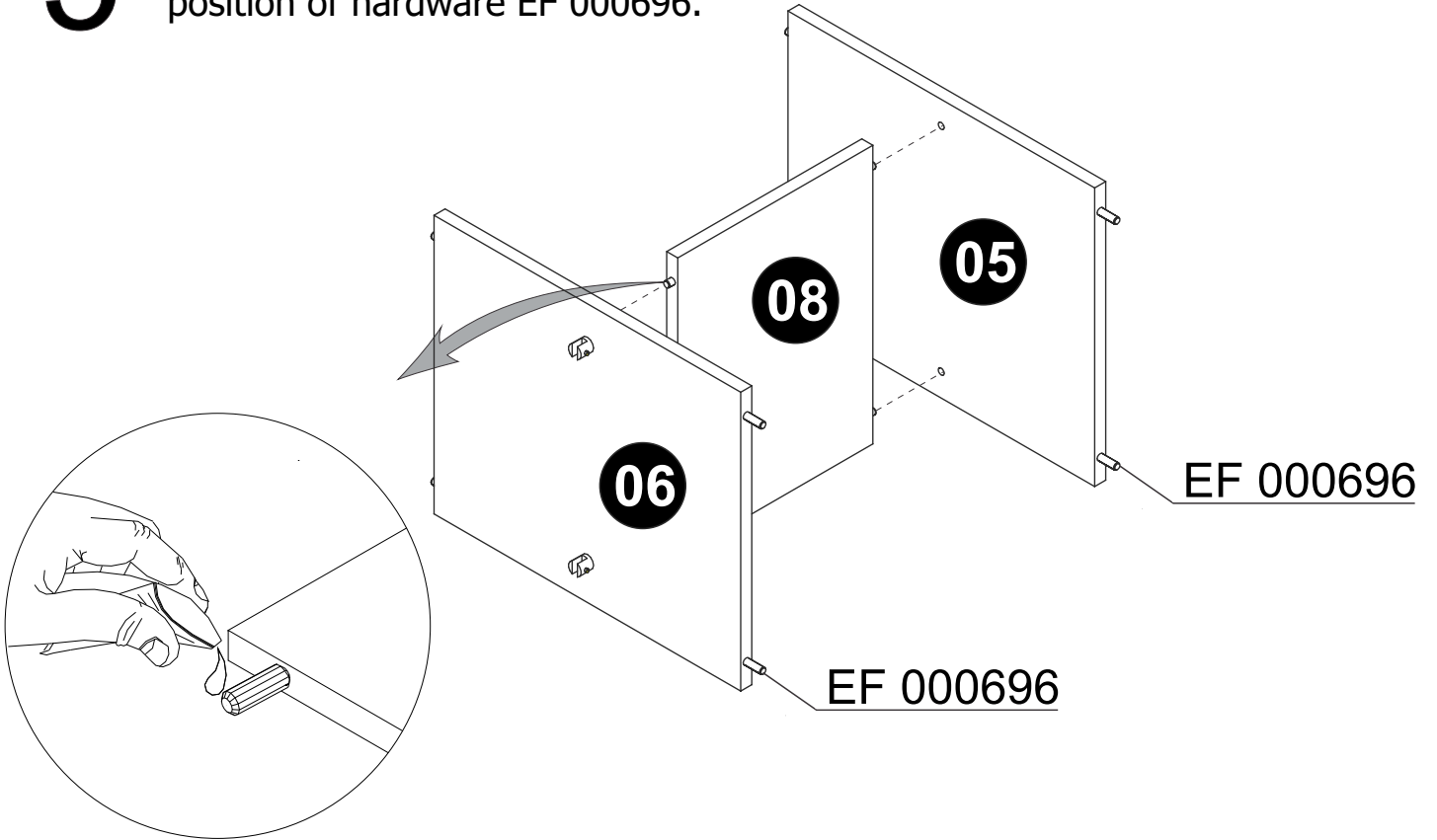
# 4

Using glue, insert hardware EF 000033 into piece 04.



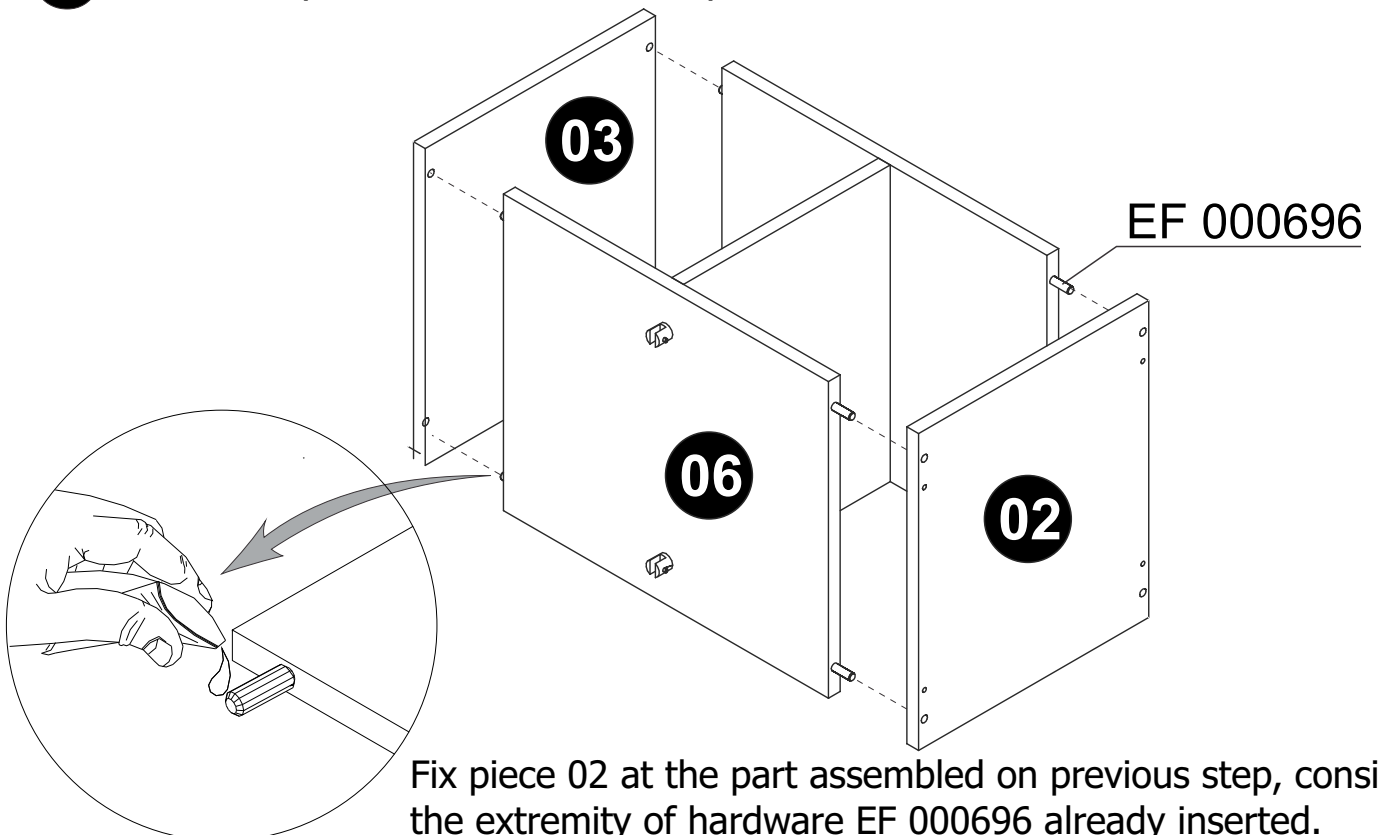
# 5

Connect pieces 05, 06 and 08 using glue, check the picture and position of hardware EF 000696.



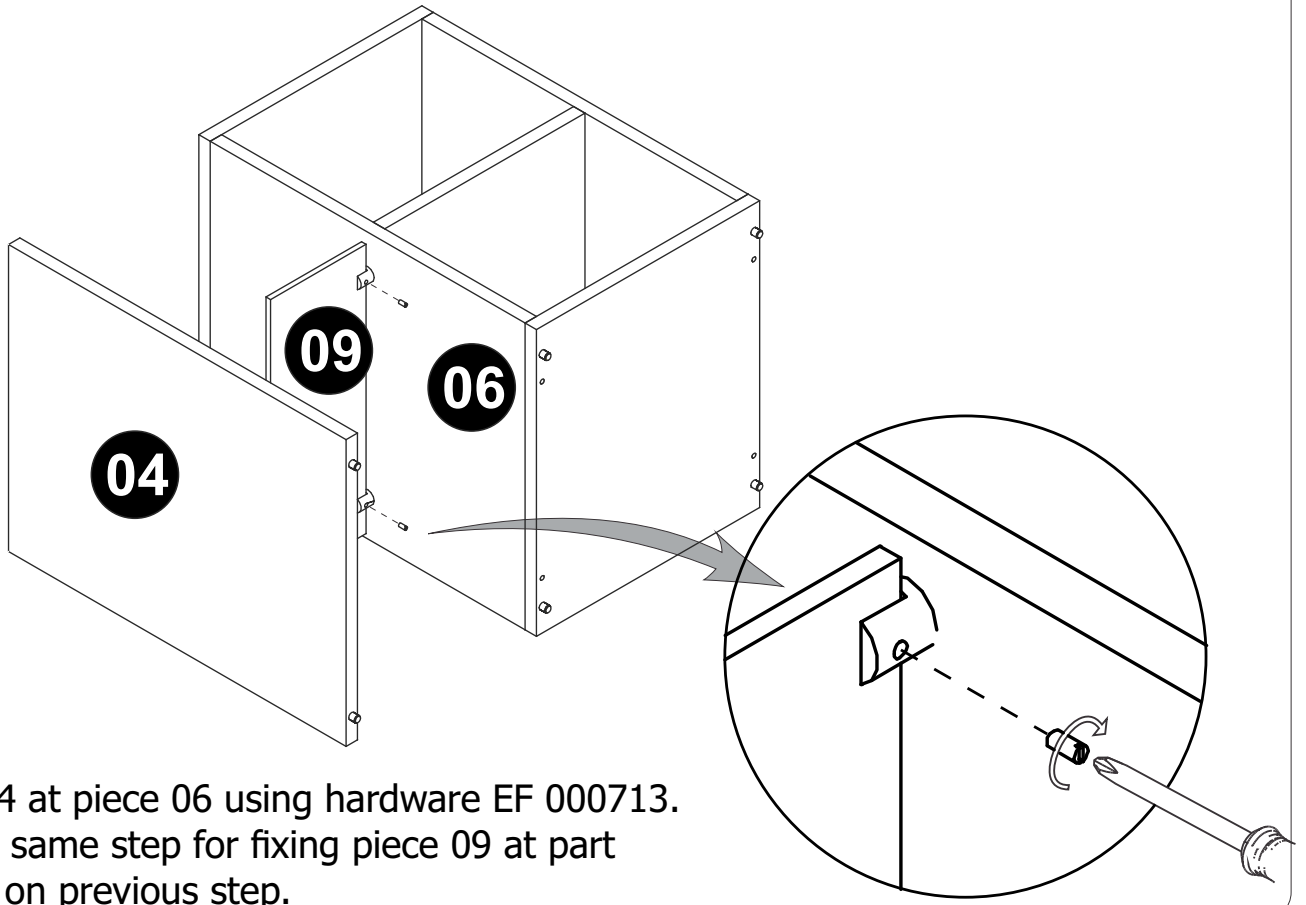
# 6

Using glue, fix piece 03 at the part assembled on previous step, consider the extremity of hardware EF, already inserted.



Fix piece 02 at the part assembled on previous step, consider the extremity of hardware EF 000696 already inserted.

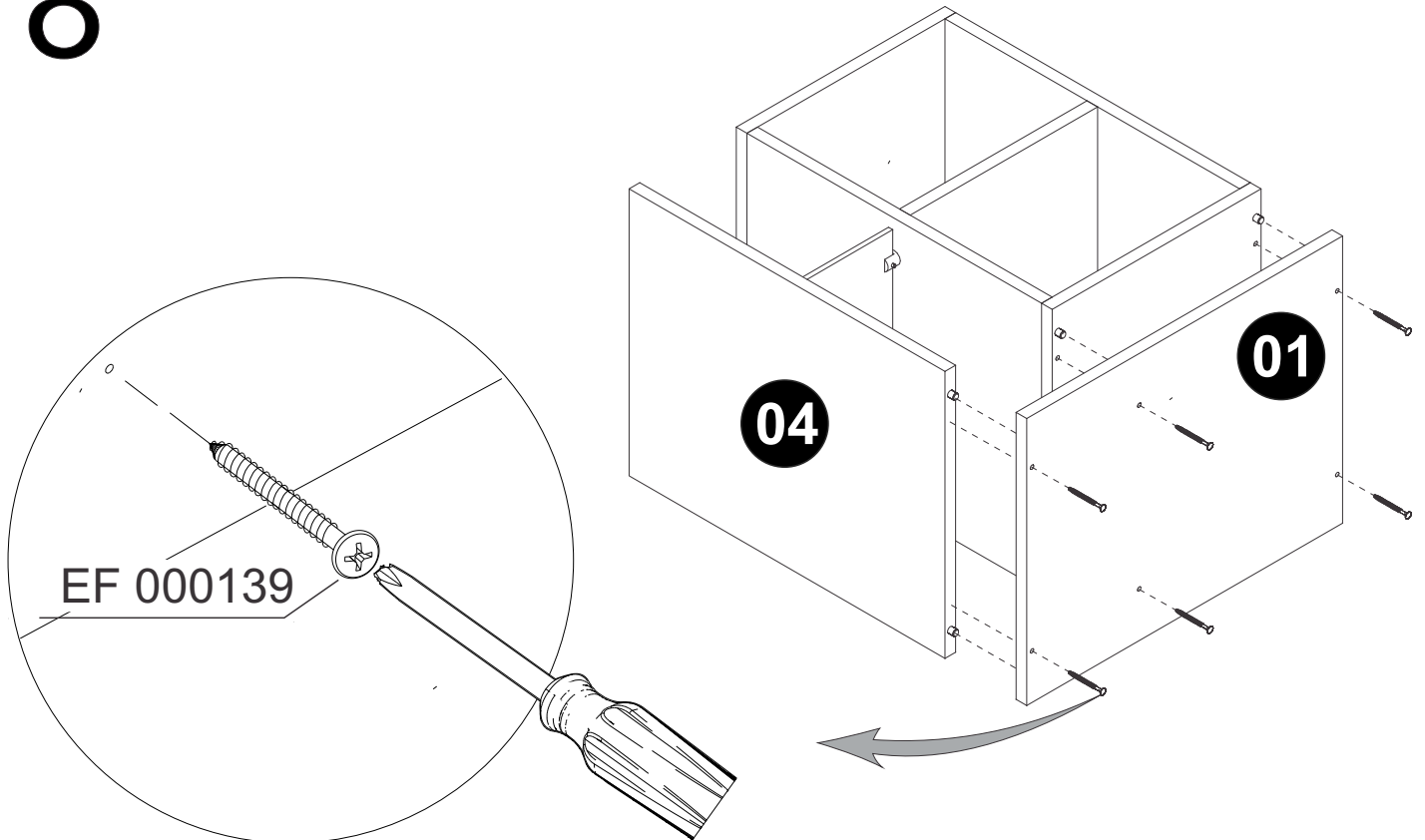
# 7



Fix piece 04 at piece 06 using hardware EF 000713.  
Repeat the same step for fixing piece 09 at part assembled on previous step.

# 8

Fix piece 01 at the part assembled on previous step using hardware EF 000139.

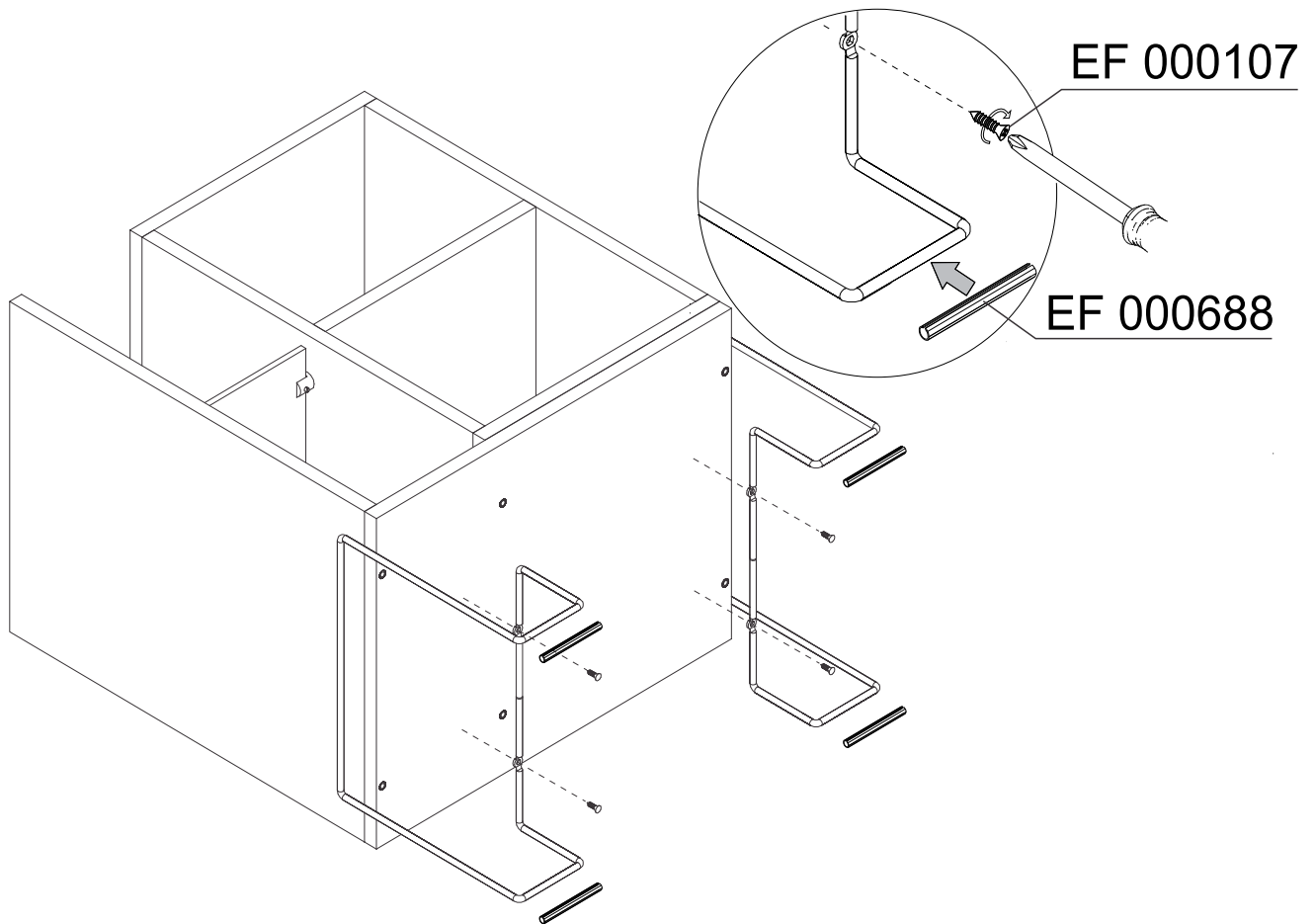




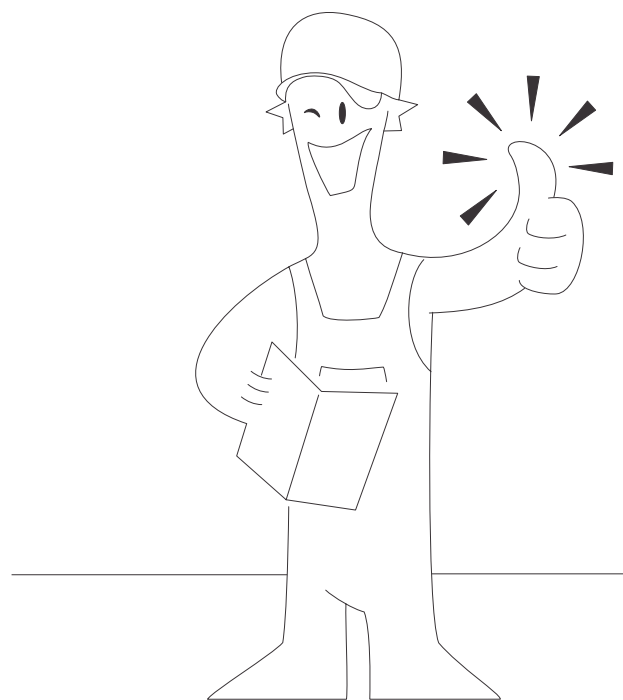
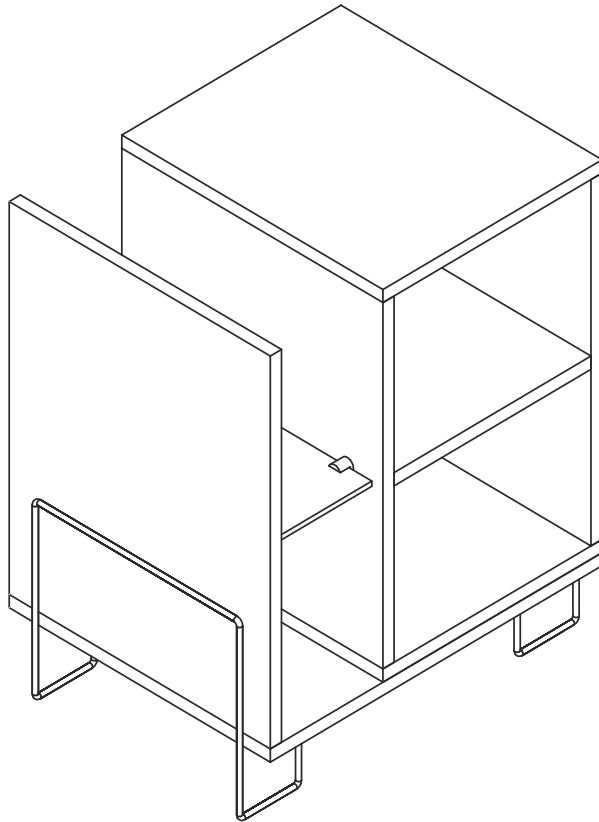
# 9

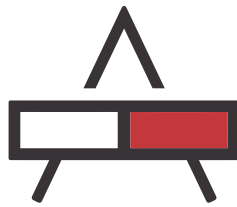
Use hardware EF 000107 for fixing piece 10 at the part assembled on previous step, according the picture.

After, insert hardware EF 000688 to finish it.



To ensure the fixing, let dry for **8 hours**.





# ACCENTUATIONS

by MANHATTAN COMFORT