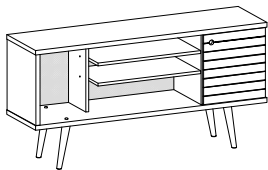




MANHATTAN
COMFORT

888-230-2225

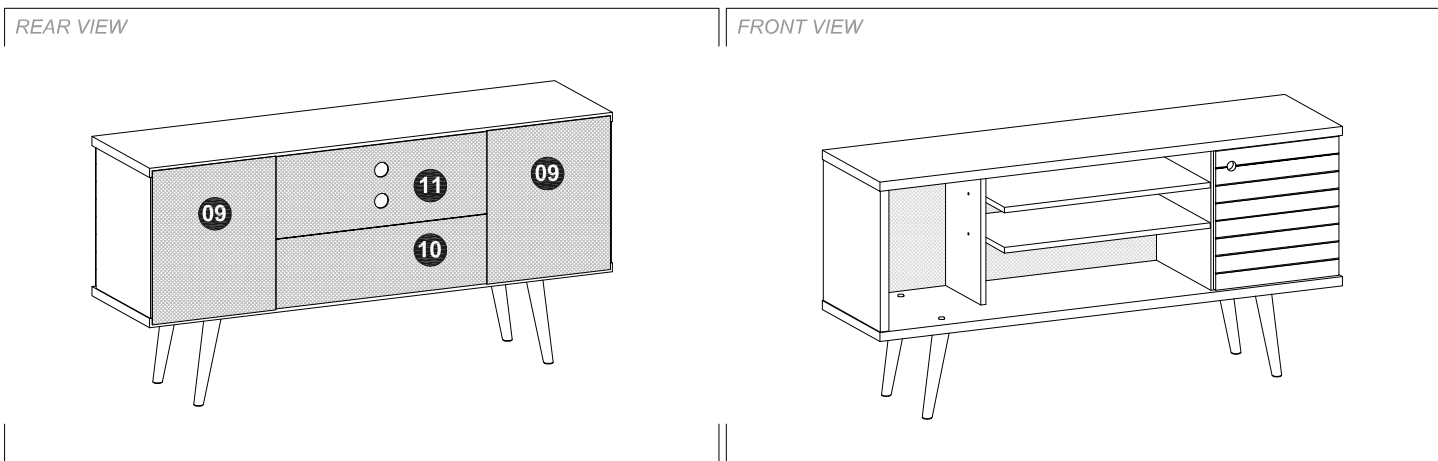
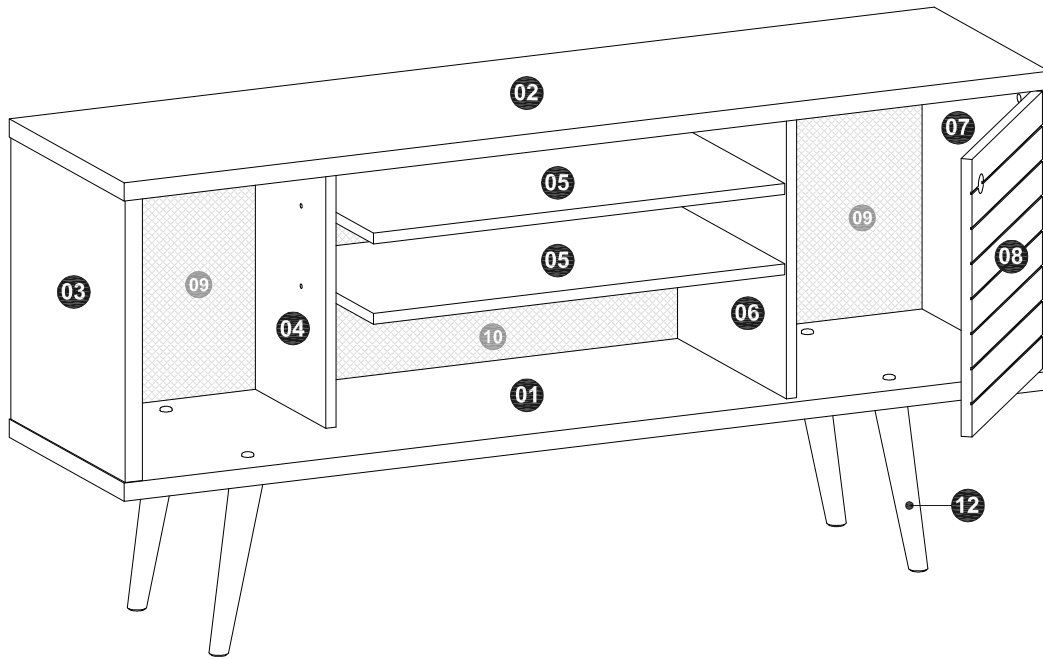
help@manhattancomfort.com



Liberty TV Stand 53.14

Model # 200AMC6, 200AMC63, 200AMC64, 200AMC69, 200AMC9, 200AMC93, 200AMC94, 200AMC96

INCLUDED IN THE PACKAGE



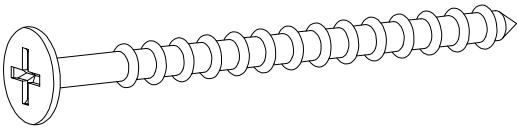
| n.° ID | Parts Identification (Description) | Quantity |
|--------|------------------------------------|----------|
| 01 | Base | 1 |
| 02 | Top Panel | 1 |
| 03 | Left Side Panel | 1 |
| 04 | Left Partition | 1 |
| 05 | Shelf | 2 |
| 06 | Right Partition | 1 |
| 07 | Right Side Panel | 1 |
| 08 | Door | 1 |
| 09 | Left and Right Back Panel | 2 |
| 10 | Lower Middle Back Panel | 1 |
| 11 | Upper Middle Back Panel | 1 |
| 12 | Wood Feet | 4 |

TOOLS NEEDED



INCLUDED IN THE PACKAGE

A 4x



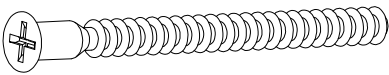
B 4x



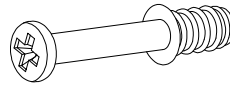
C 24x



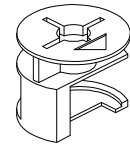
D 13x



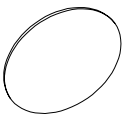
E 7x



F 7x



G 13x



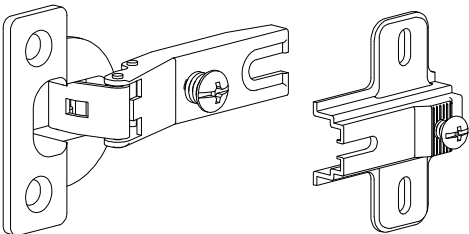
H 11x



I 50x



J 2x



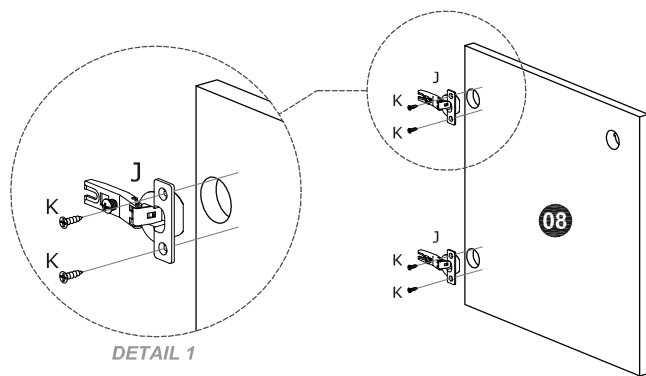
K 8x



L 4x



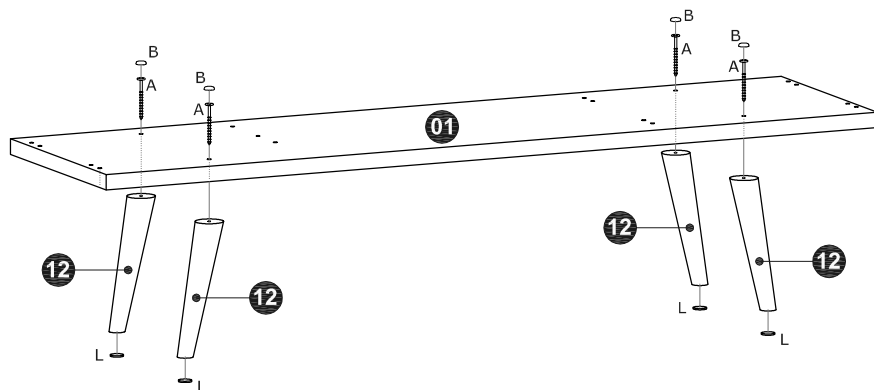
STEP 1



Preparing the door:

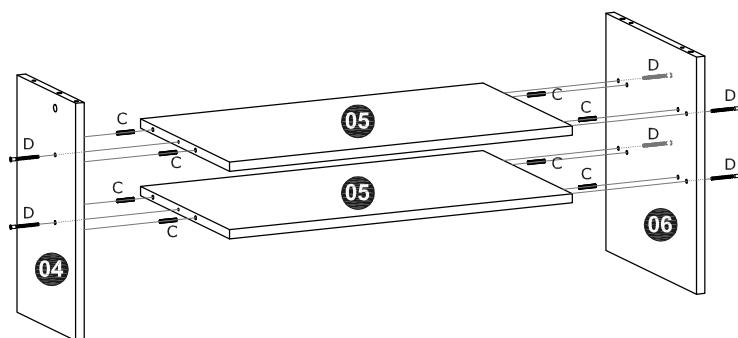
- Fix the hinges (J) in the Door (08) with bolts (K).

STEP 2



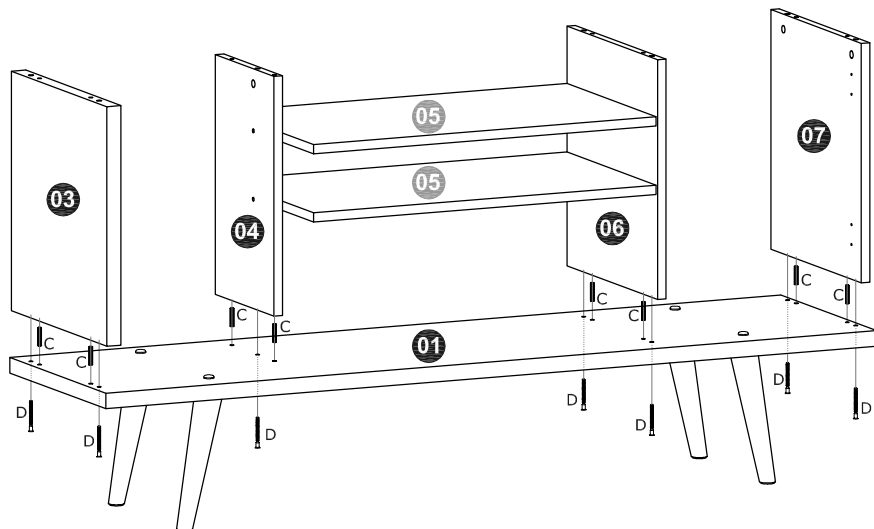
- Fix the feet (12) under the Base (01) with bolts (A).
- Apply the protective felt covers (L) on the bottom of the feet (12).
- Apply the plastic covers (B) on top of the bolts (A).

STEP 3



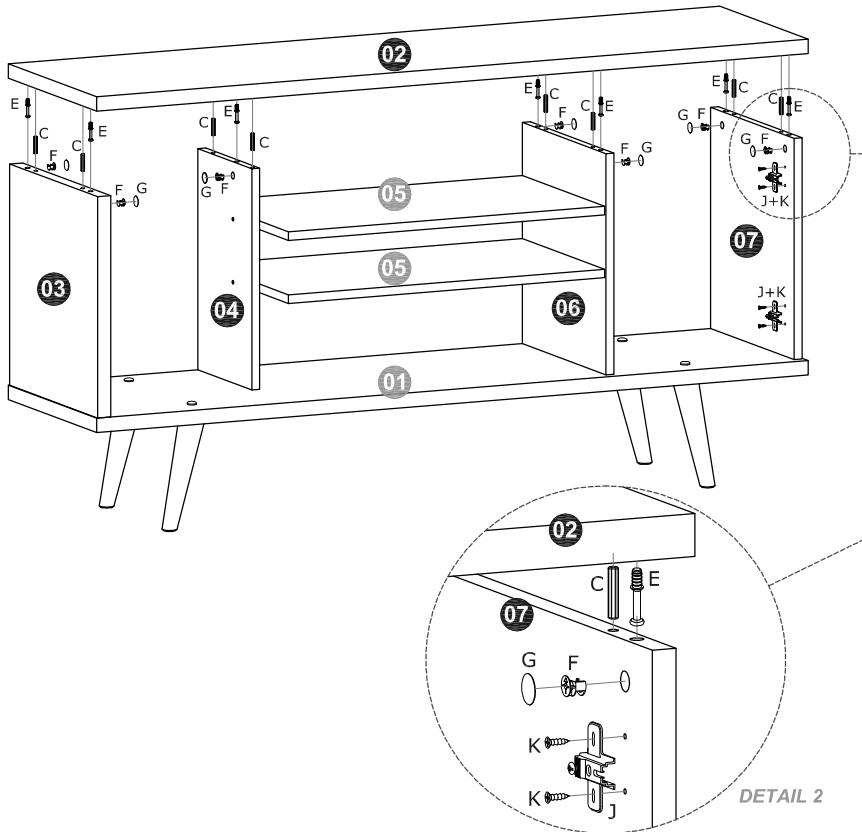
- Connect Shelves (05) into Partitions (04) and (06) with dowels (C) and bolts (D).

STEP 4



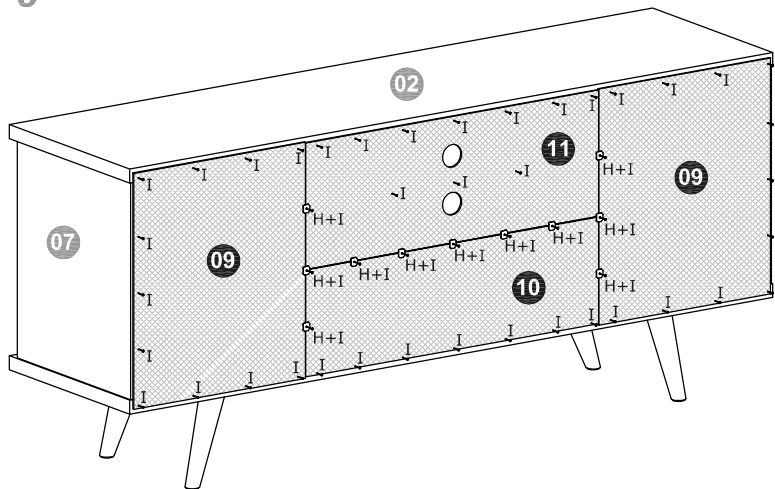
- Connect Side Panels (03) and (07) into the Base (01) with dowels (C) and bolts (D).
- Connect Partition Parts (04) and (06) into the Base (01) with dowels (C) and bolts (D).

STEP 5



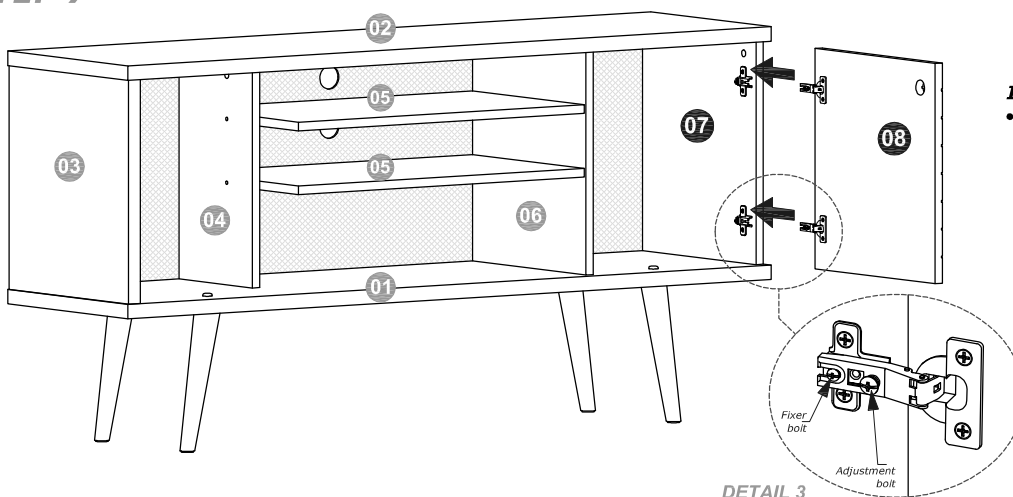
- Connect the Top Panel (02) onto Side Panels and Partitions (03), (04), (06) and (07) using dowels (C) and the Minifix hardware (E + F).
- Apply adhesive covers (G) on the minifix hardware (F).
- Fix hinge connector (J) on the Right Side Panel (07) with bolts (K).

STEP 6



- Connect Back Panels (09), (10) and (11,) with nails (I).
- Use metallic plates (H) and nails (I) at the joining surfaces.

STEP 7



- Installing the door (08):**
- Insert the hinge from the door (08) onto the connector on the Side Panel (07). The connector pieces includes 2 bolts. Use the adjustment and fixer bolts on the insert to tighten, adjust and align the door.

