

**ACCENTUATIONS**

by MANHATTAN COMFORT

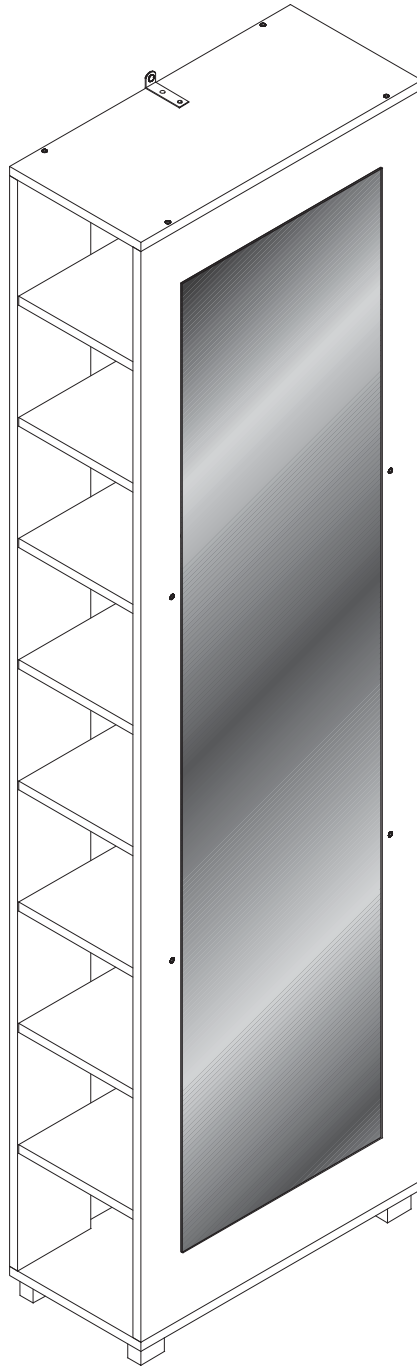


## Valencia Shoe Closet 2.0

Model: 89AMC6

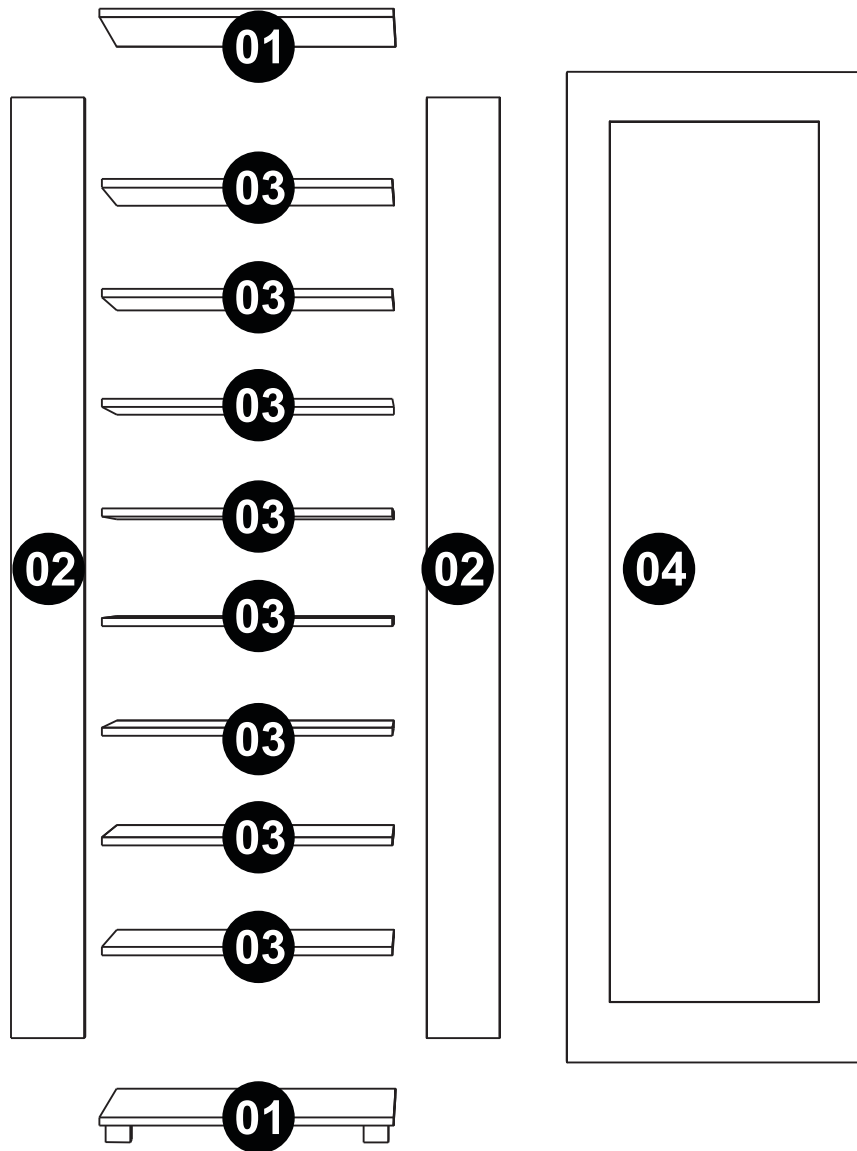
Stuck?! Need Help?! [help@manhattancomfort.com](mailto:help@manhattancomfort.com) 888-230-2225

Dimensions:  
W:21.1" H:73.6" D:9.84"

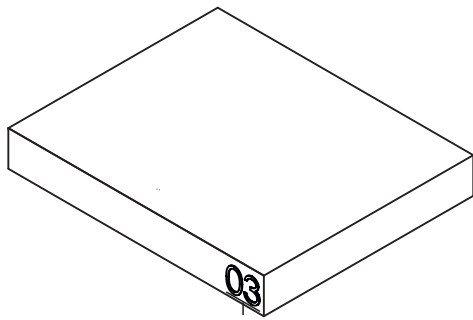


20 PAIRS OF SHOES



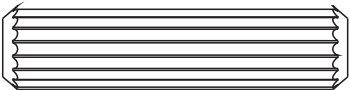

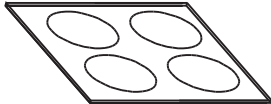

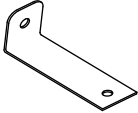
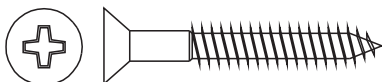

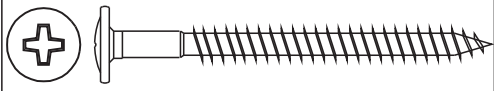
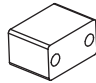



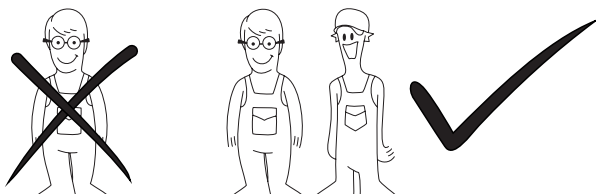
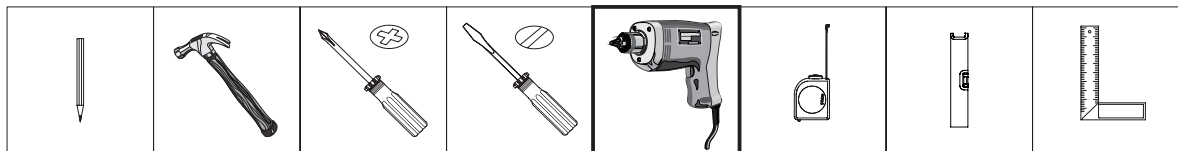
PART	DESCRIPTION	QTY.
01	Top/ Base	02
02	Back	02
03	Shelf	08
04	Front panel	01



**USE ALCOHOL TO  
REMOVE PART  
NUMBERS**

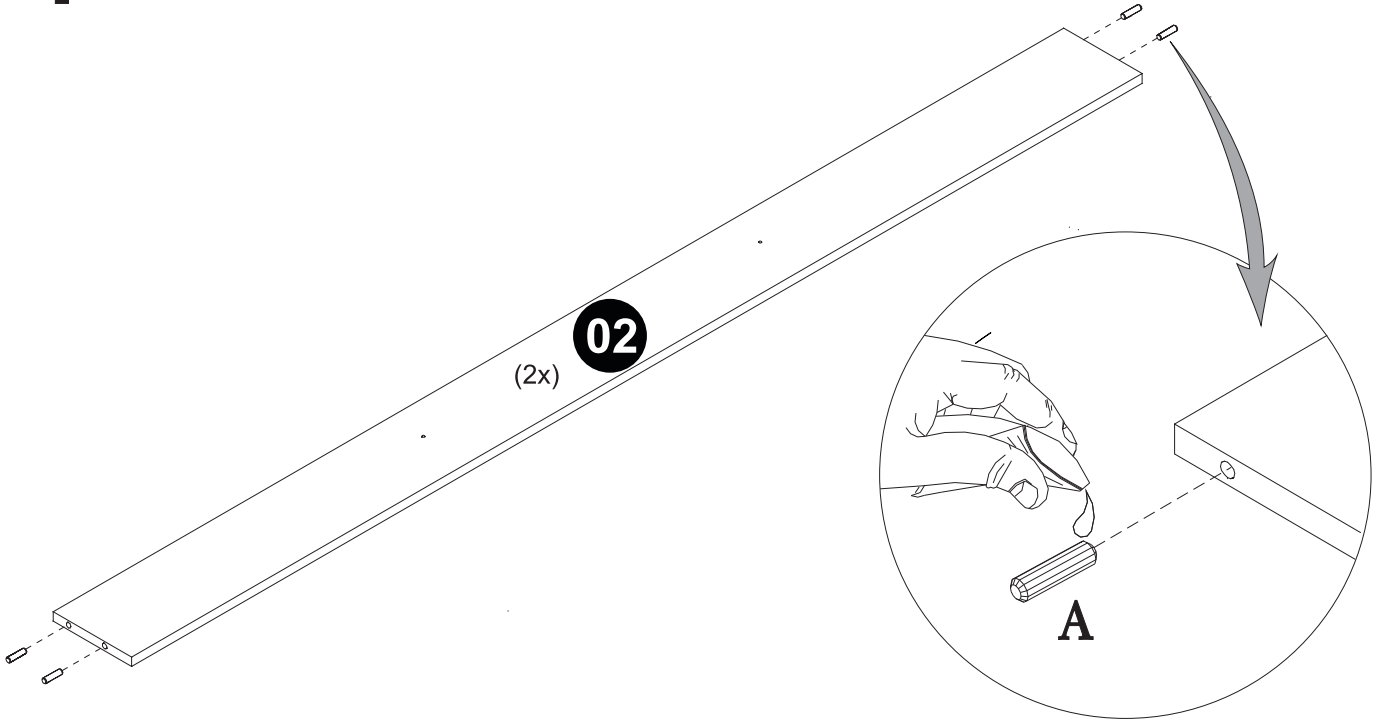
# HARDWARE PARTS

PHOTO		CODE	QTY.
	A	EF 000033	48
	B	EF 000132	16
	C	STICKER	09
	D	EF 000015	01
	E	EF 000529	01
	F	EF 000404	08
	G	EF 000248	01
	H	EF 000246	01
	I	RECTANGULAR FEET	04
	L	EF 000008	02



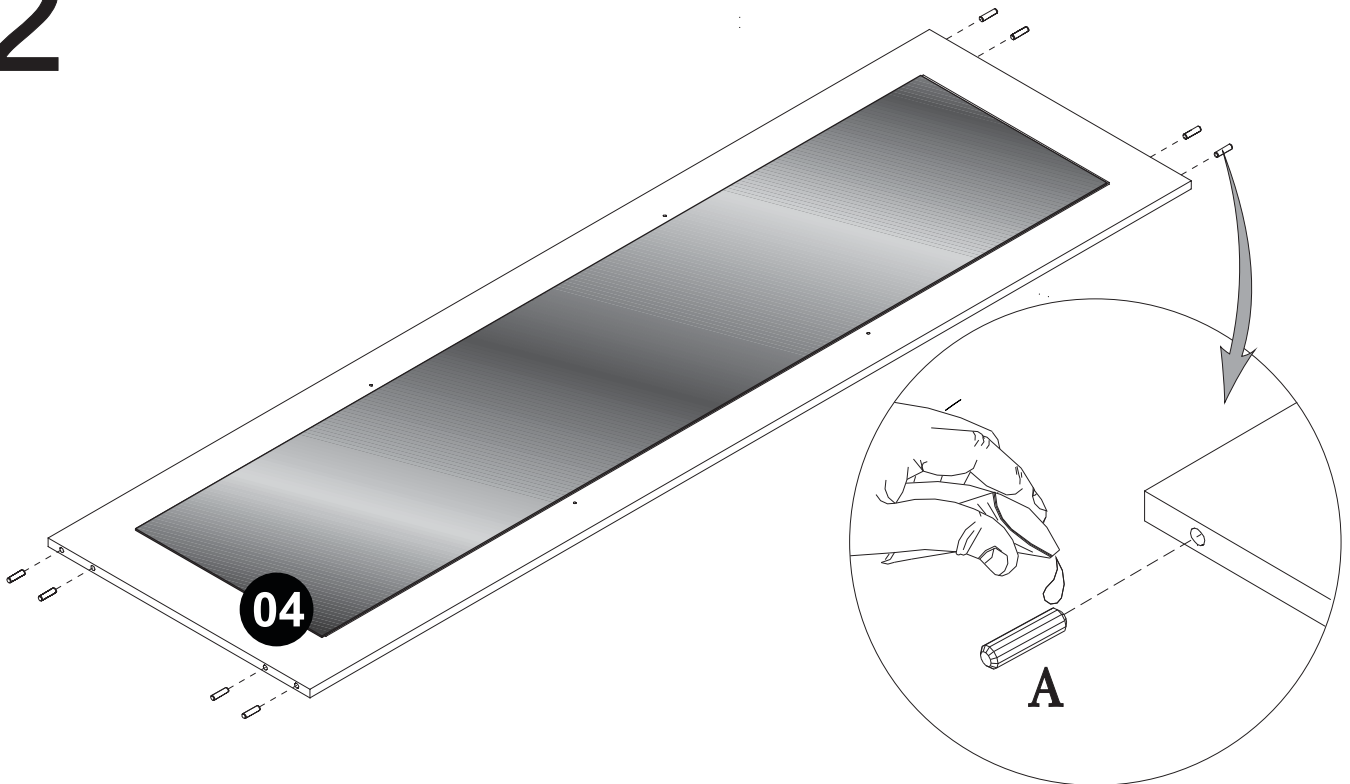
**TO IMPROVE ASSEMBLY, USE AN ELECTRONIC SCREWDRIVER**

# 1



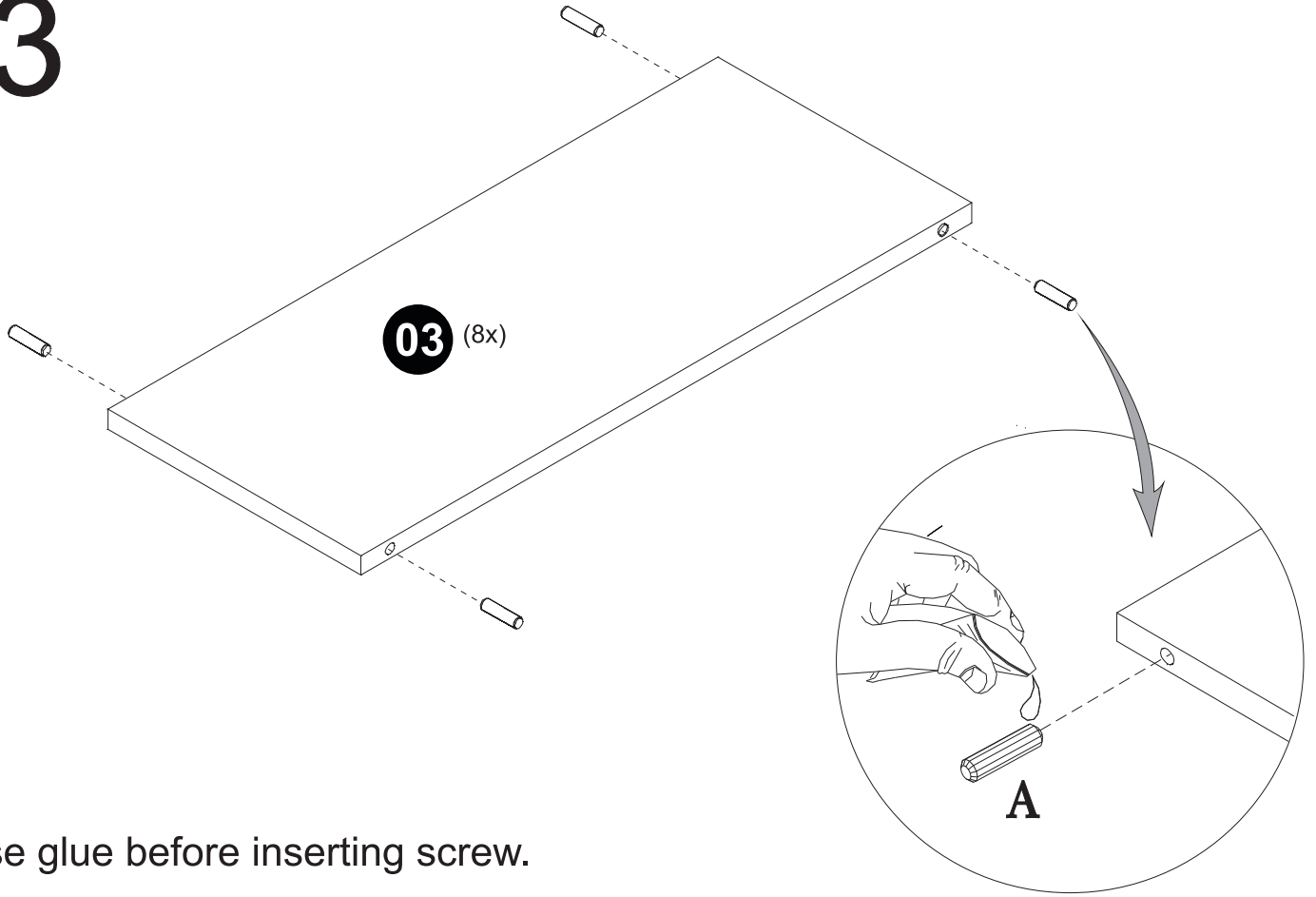
Use glue before inserting screw.

# 2



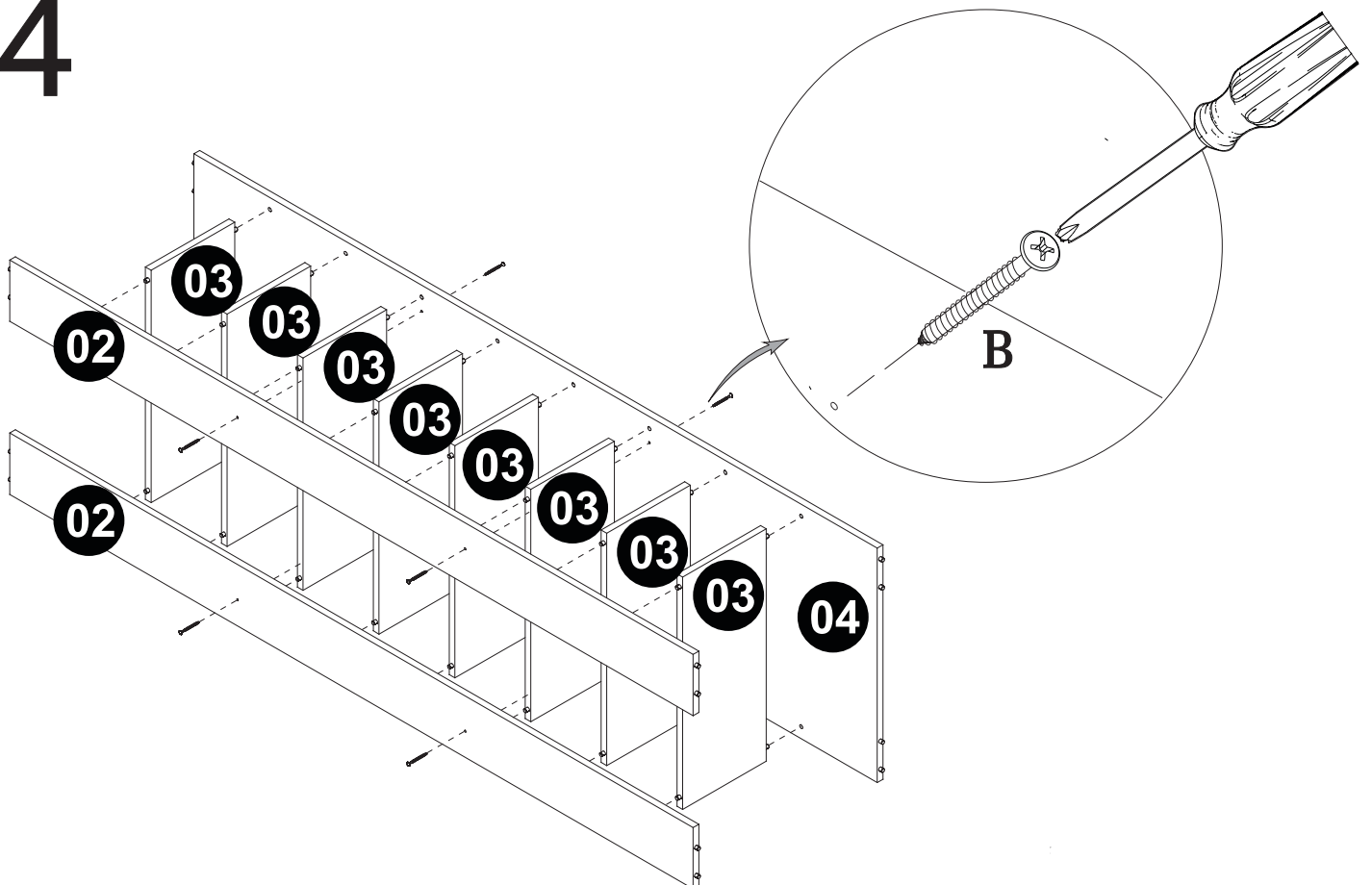
Use glue before inserting screw.

# 3

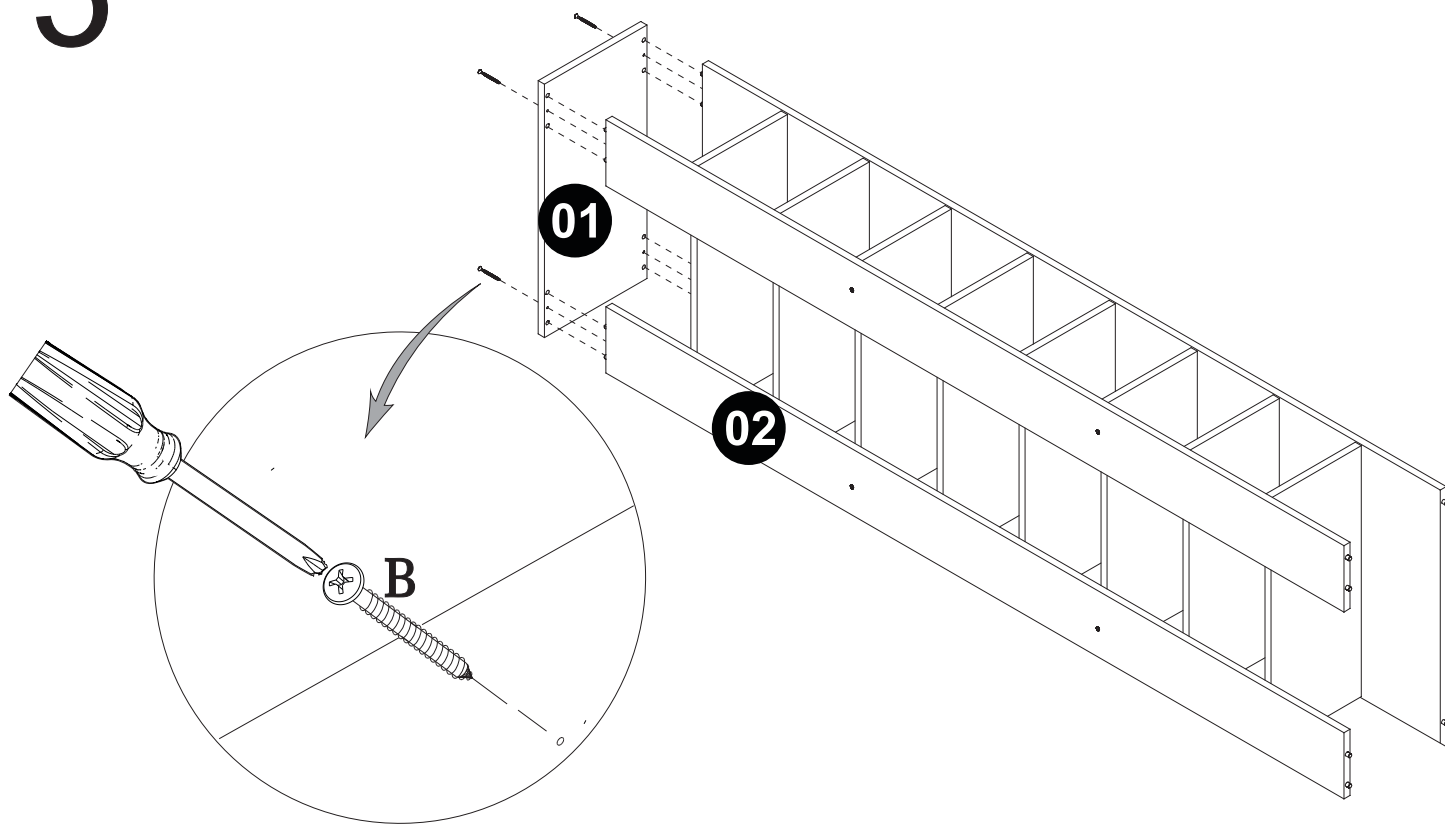


Use glue before inserting screw.

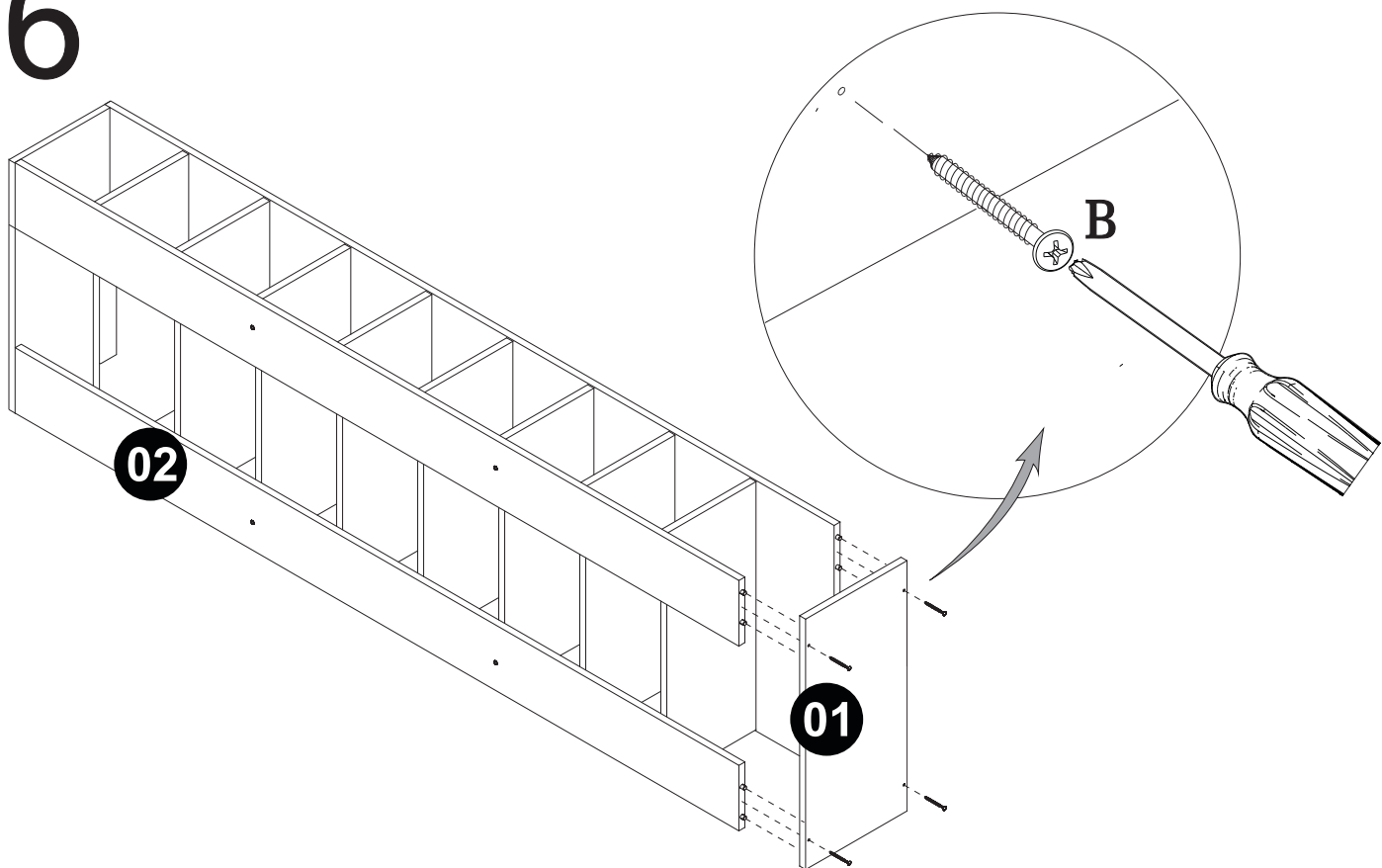
# 4



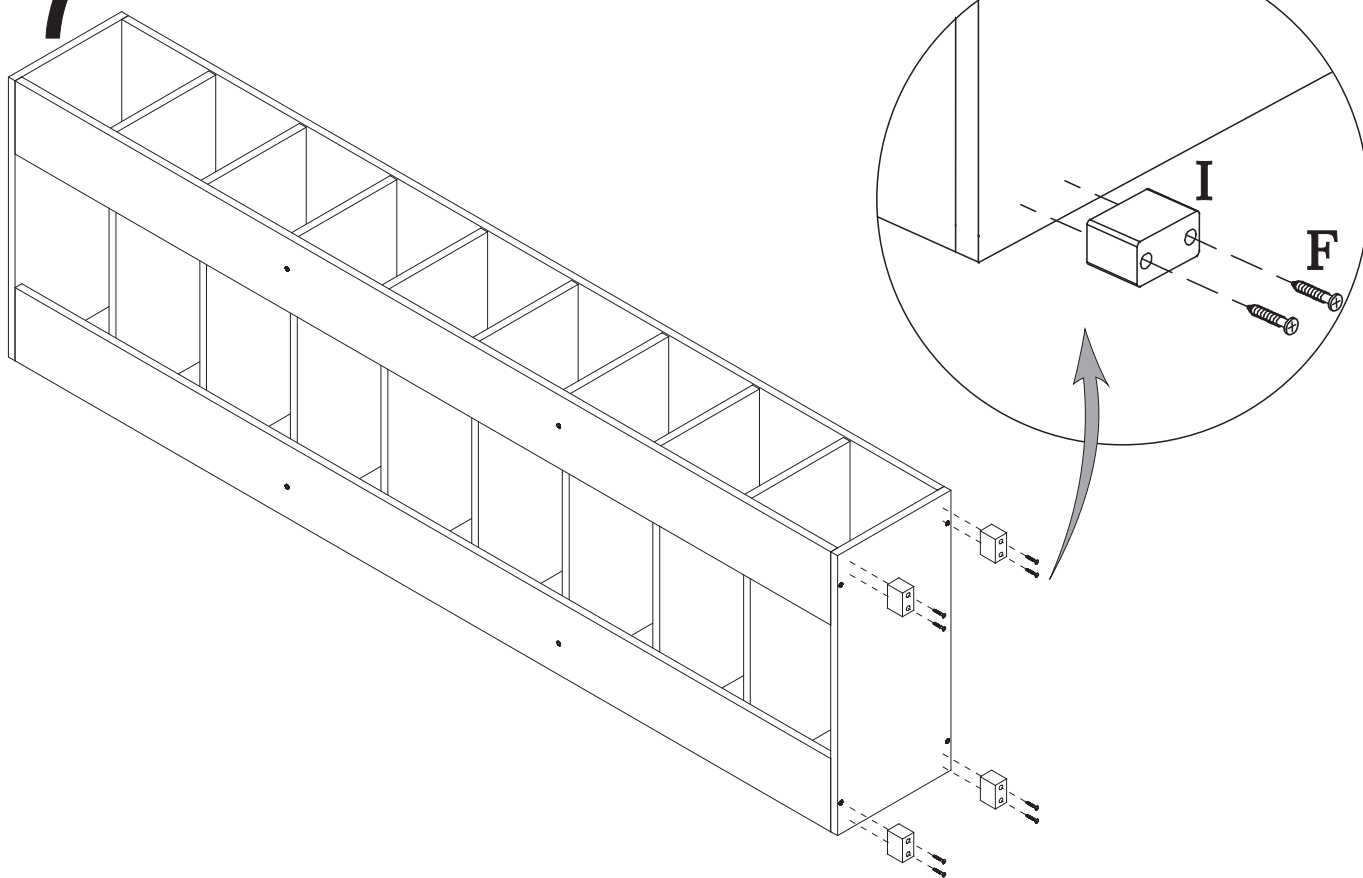
# 5



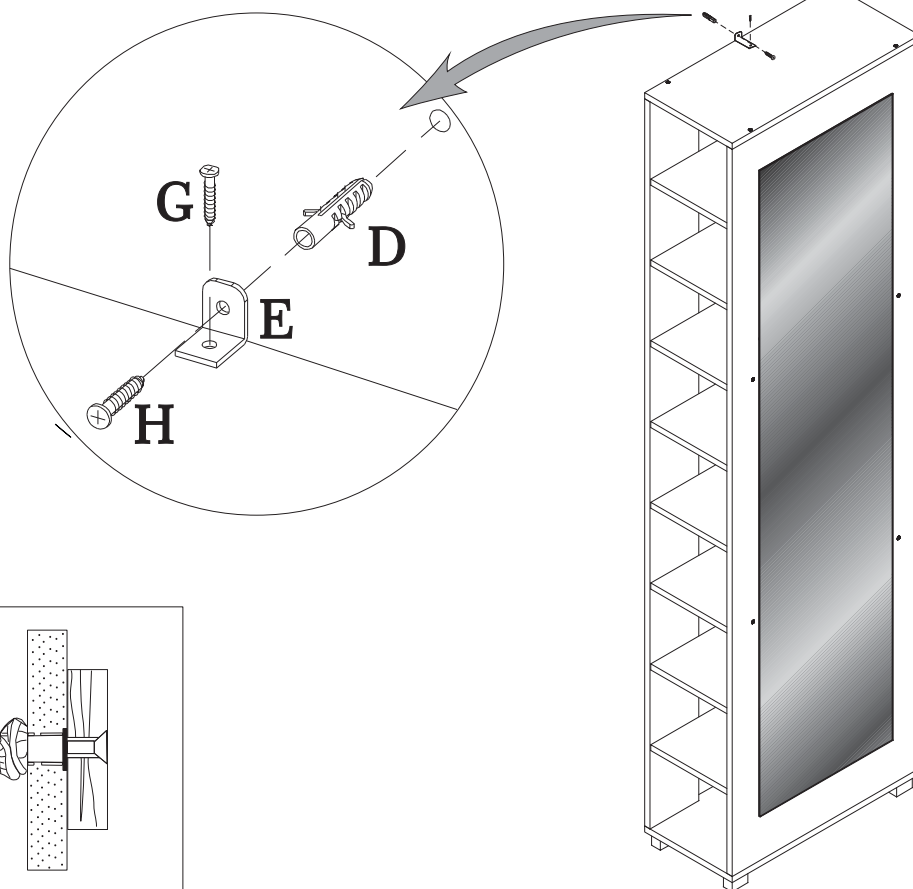
# 6



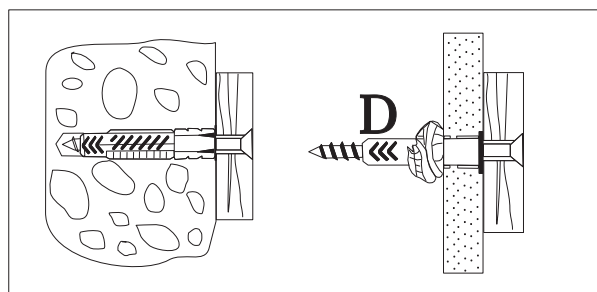
# 7



# 8

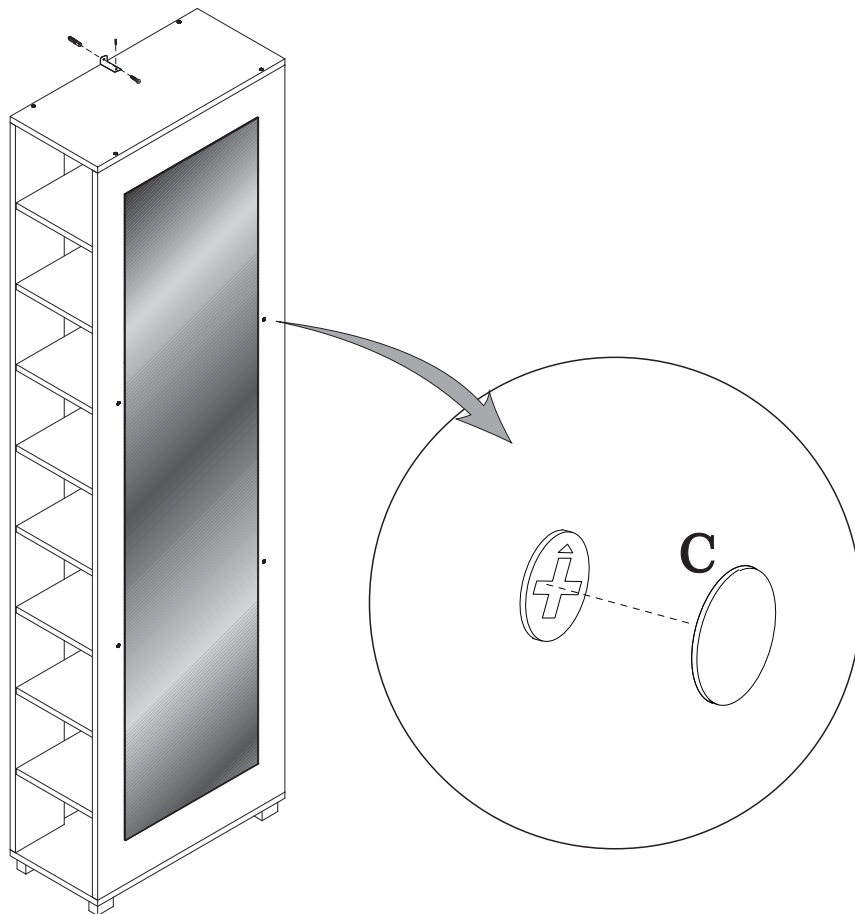


Fixing of the plug

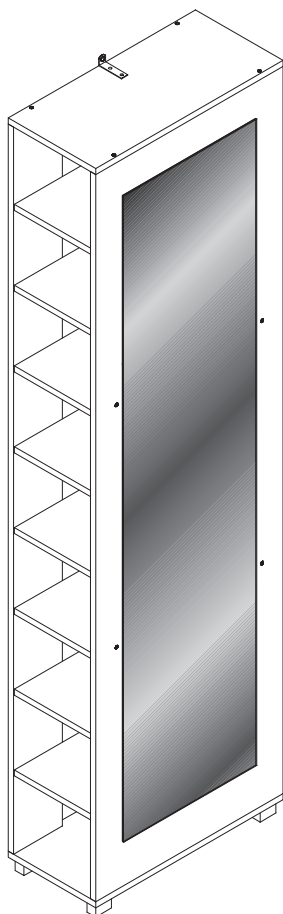


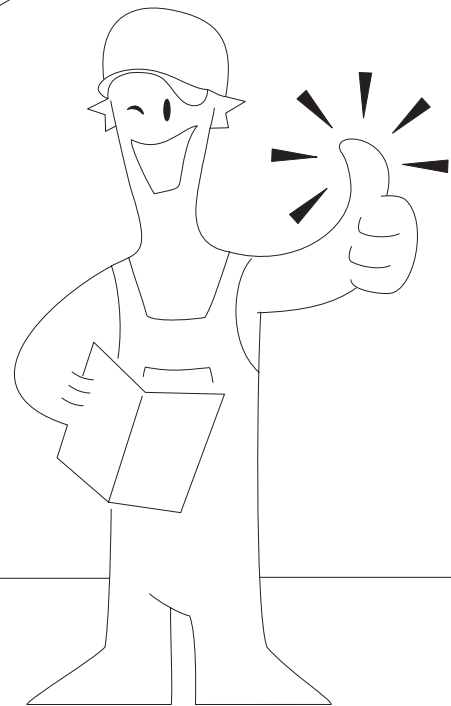
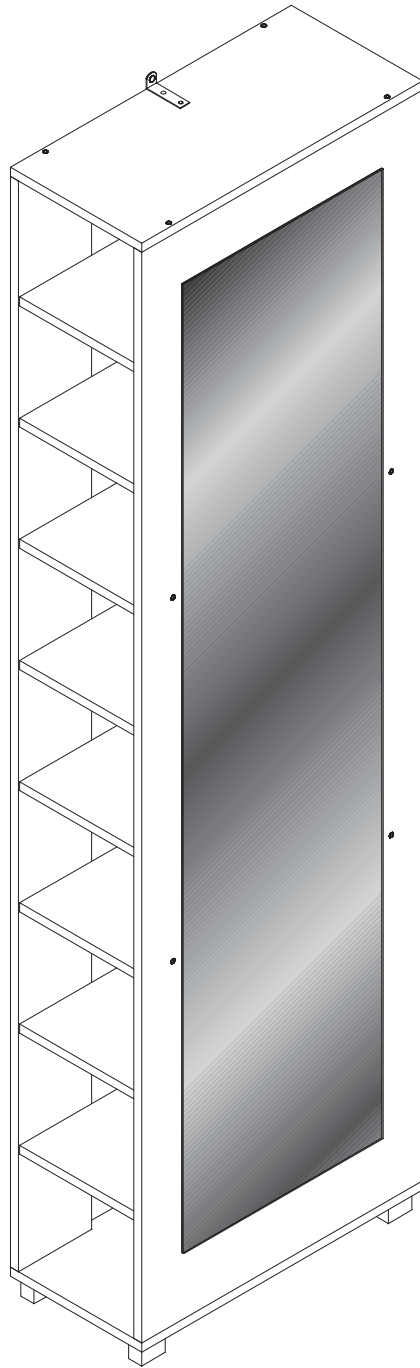


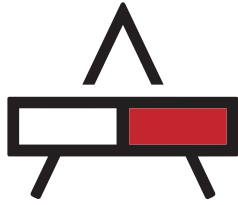
9



10







# ACCENTUATIONS

by MANHATTAN COMFORT