

ACCENTUATIONS

by MANHATTAN COMFORT



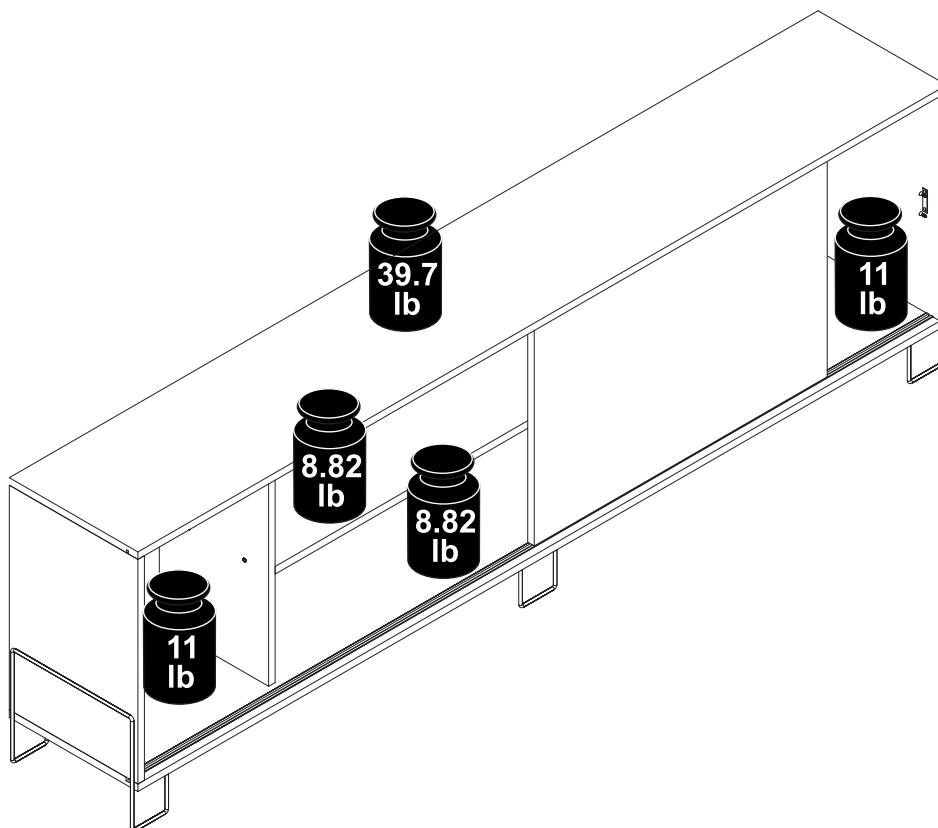
Nacka TV Stand 1.0

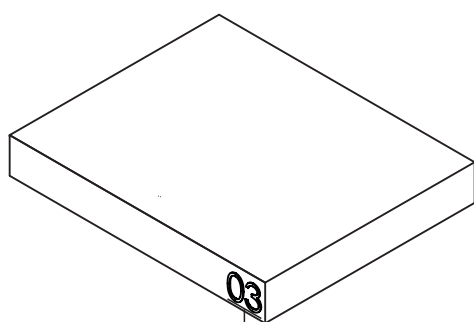
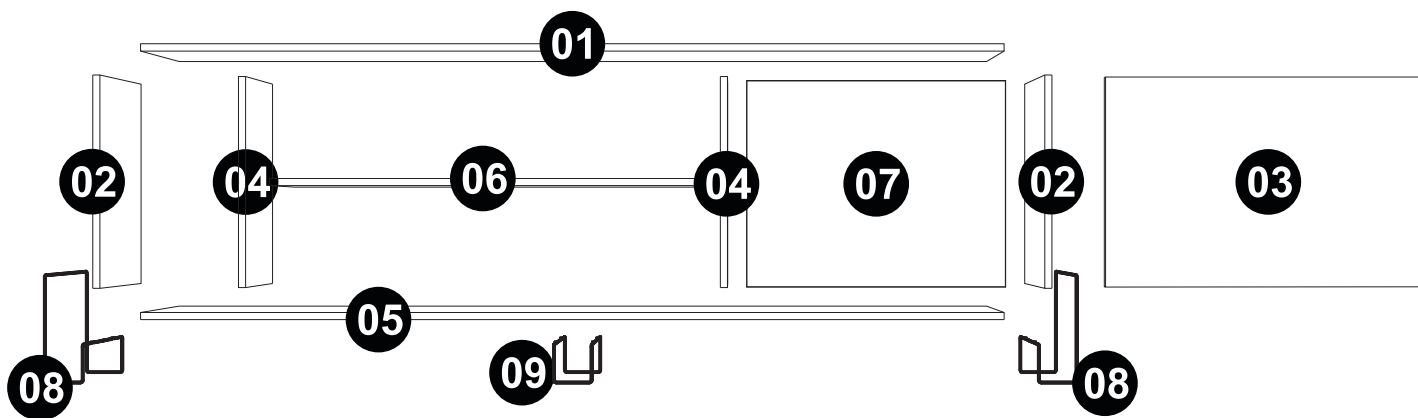
Model: 9AMC128, 9AMC47

Stuck?! Need Help?! help@manhattancomfort.com 888-230-2225

Dimensions:

W: 72" H: 22.4" D: 11.7"

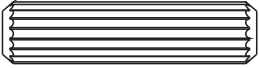



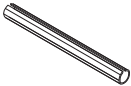
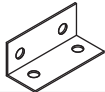




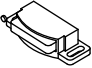
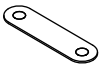
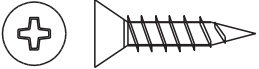


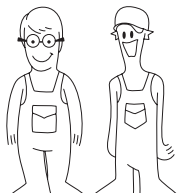
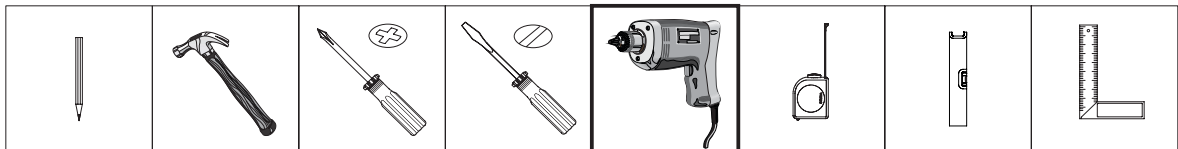


**USE ALCOHOL TO
REMOVE PART
NUMBERS**

PART	DESCRIPTION	QTY.
01	Top	01
02	Side	02
03	Door	01
04	Division	02
05	Base	01
06	Shelf	01
07	Back	01
08	Side Feet	02
09	Central Feet	01

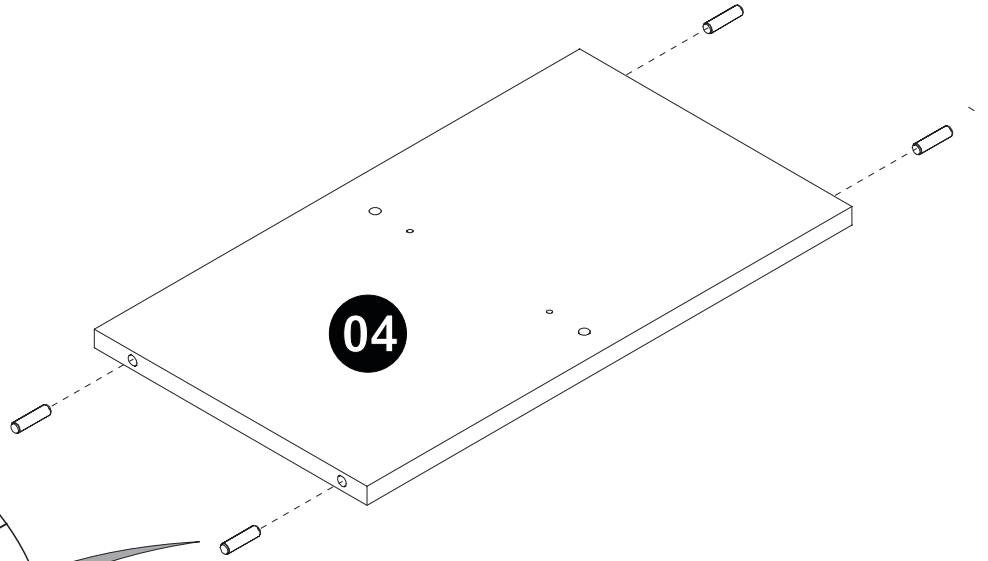
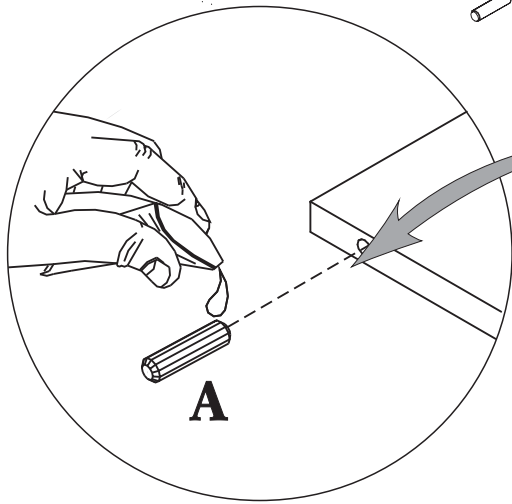
HARDWARE PARTS

PHOTO		CODE	QTY.
	A	EF 000033	20
	B	EF 000132	12
	C	EF 000106	28
	D	EF 000008	02
	E	EF 000688	06
	F	EF 000061	04
	G	CARRIL	01
	H	EF 000689	04
	I	STICKER	04
	J	EF 000168	22
	L	EF 000570	01
	M	EF 000571	01
	N	EF 000107	08



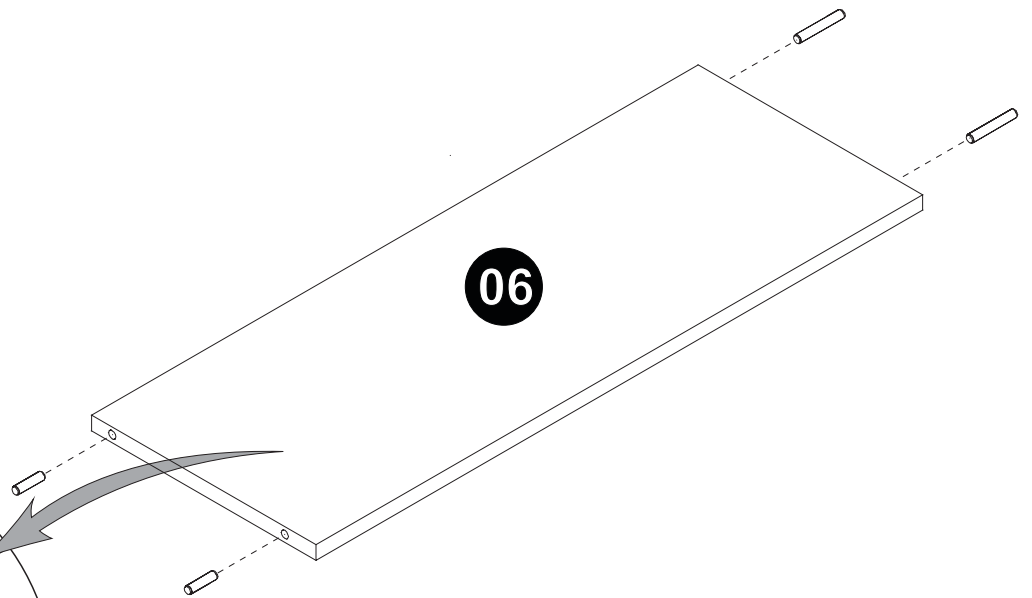
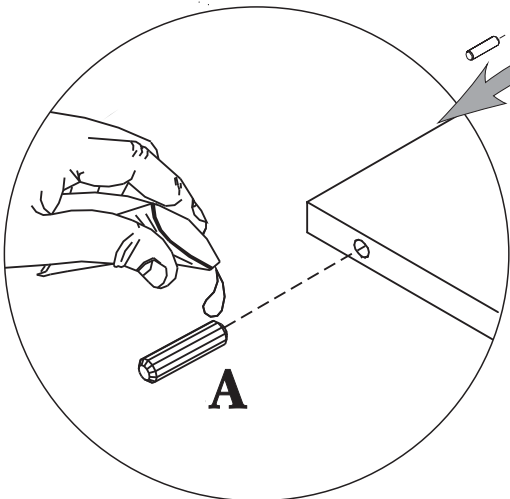
TO IMPROVE ASSEMBLY, USE AN ELECTRONIC SCREWDRIVER

1

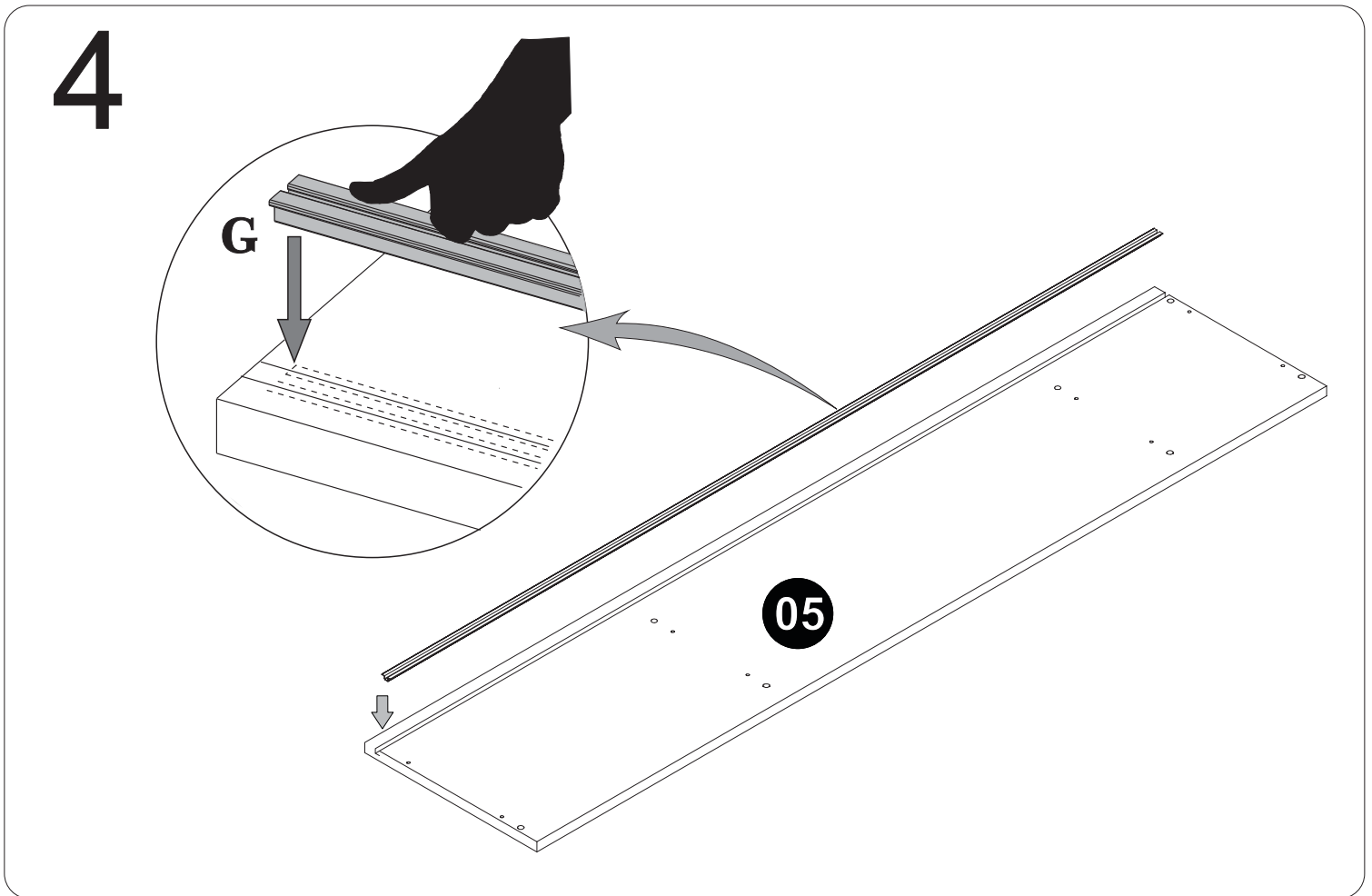
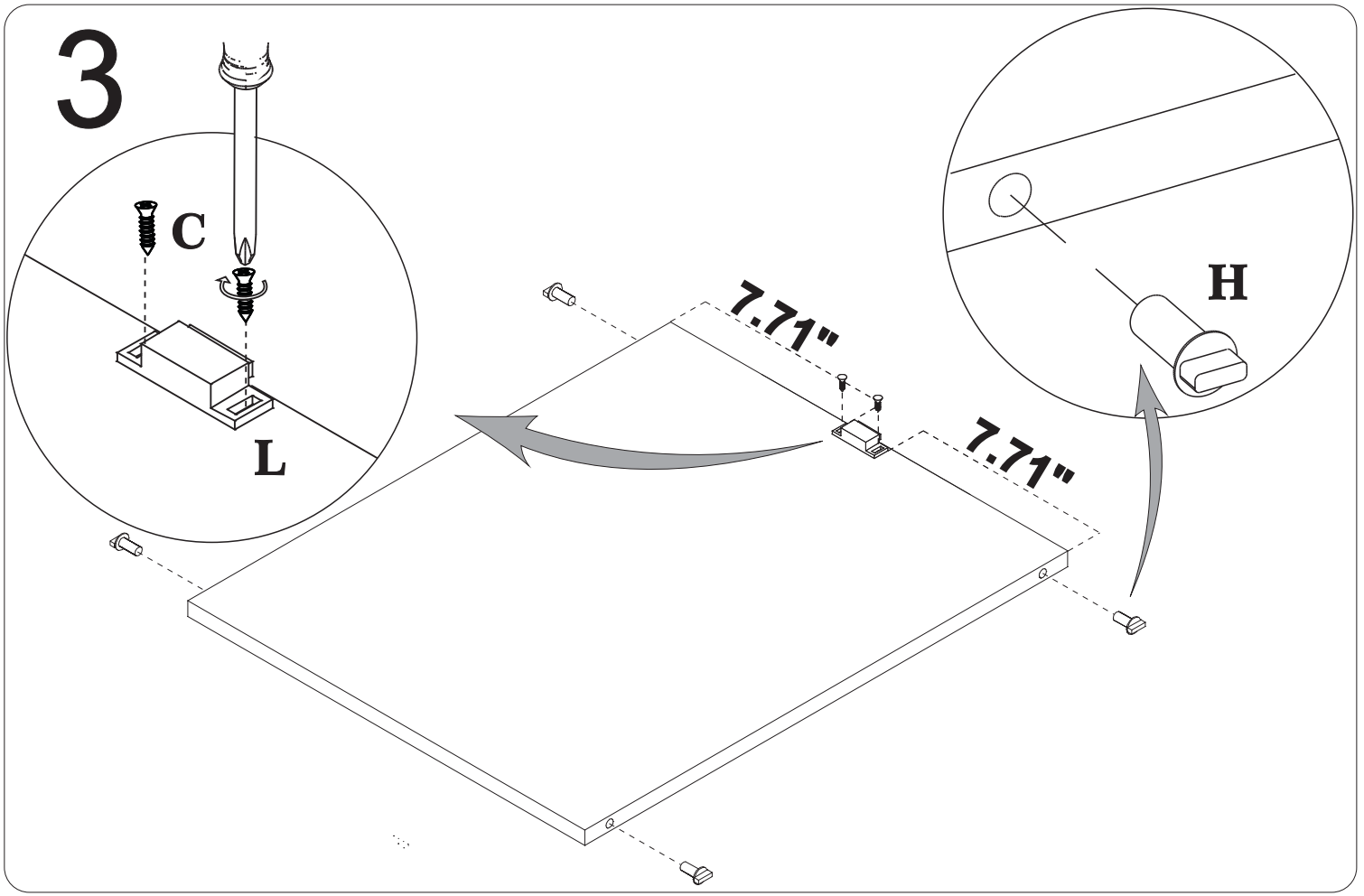


Use glue before inserting screw.

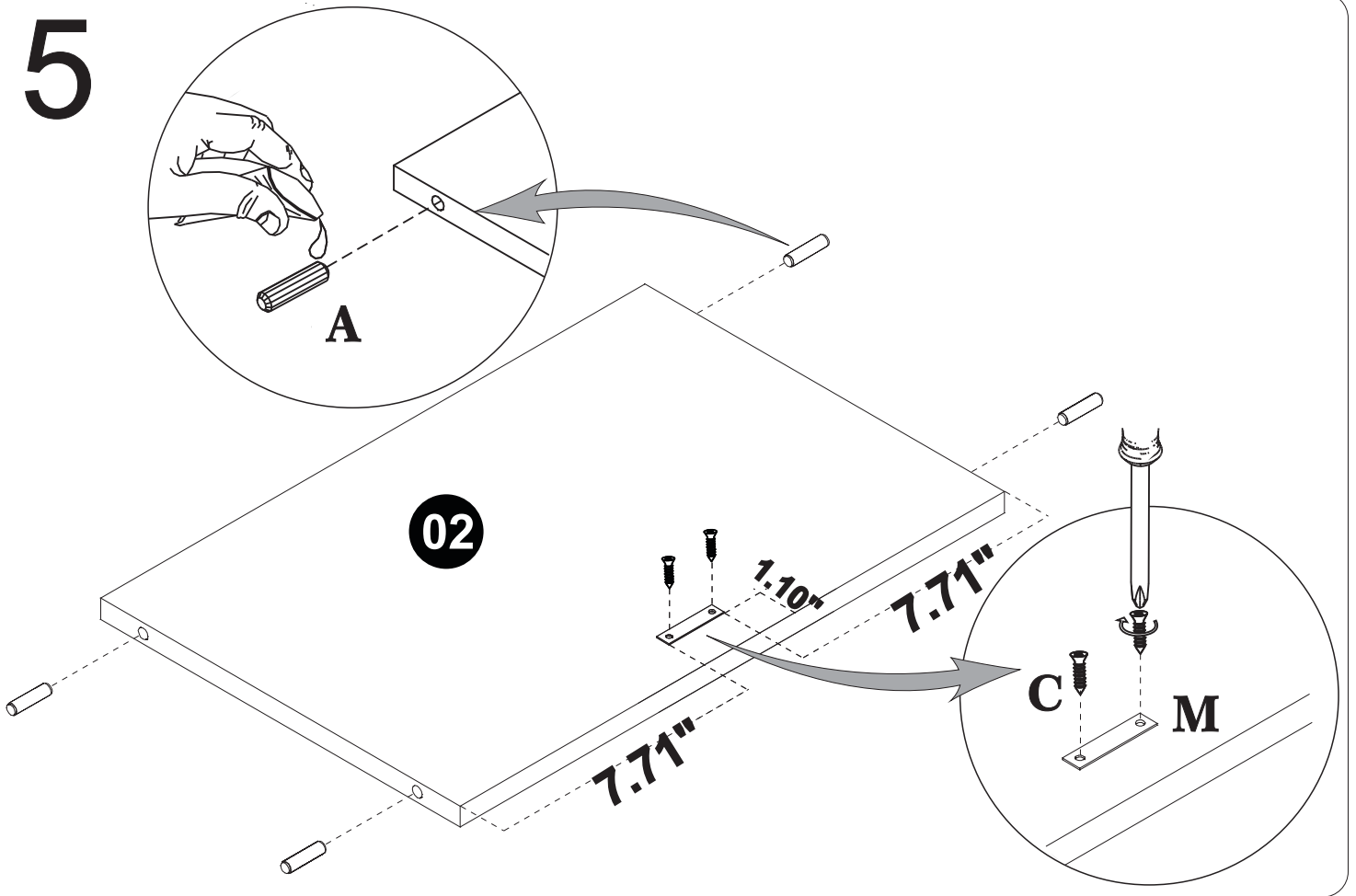
2



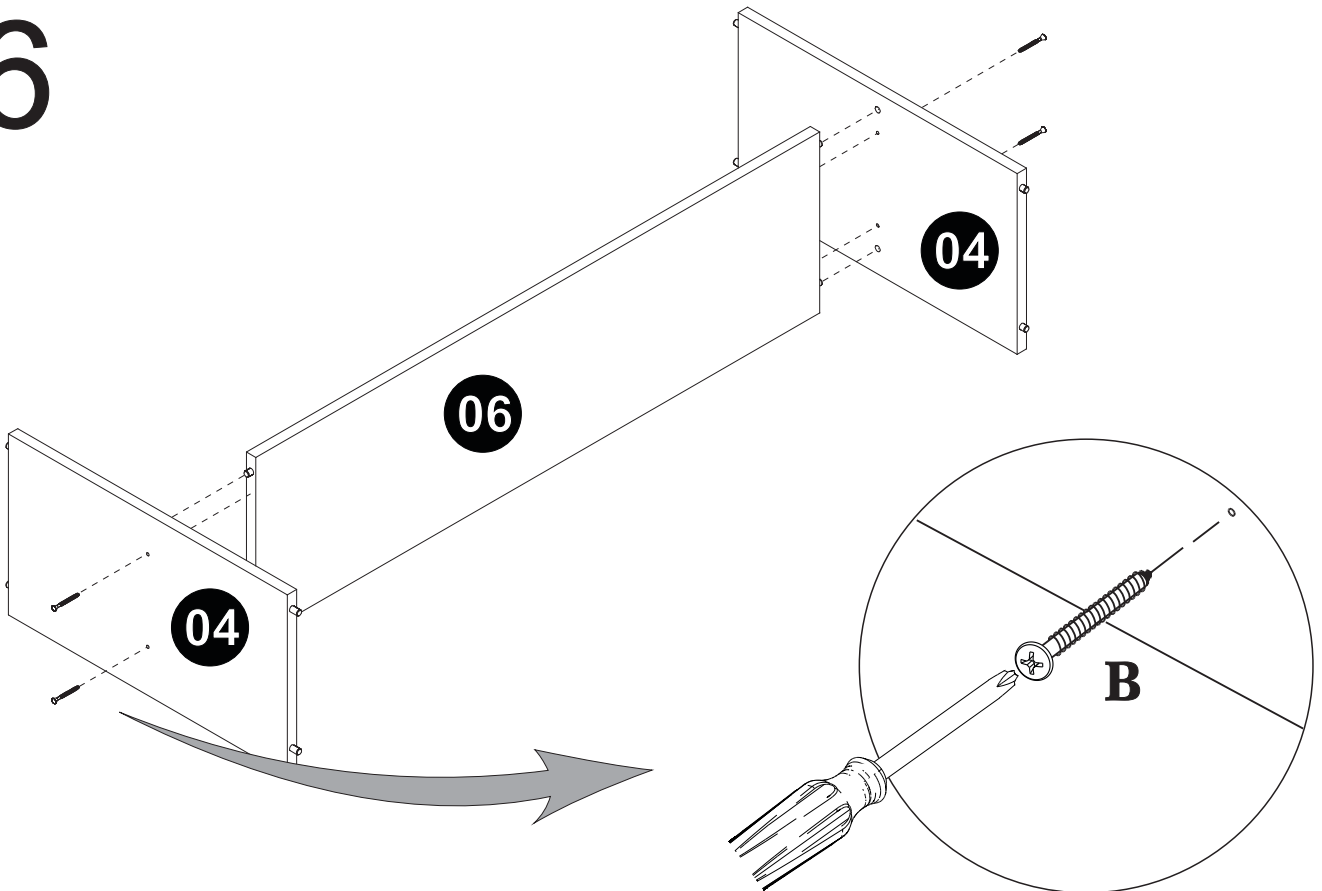
Use glue before inserting screw.



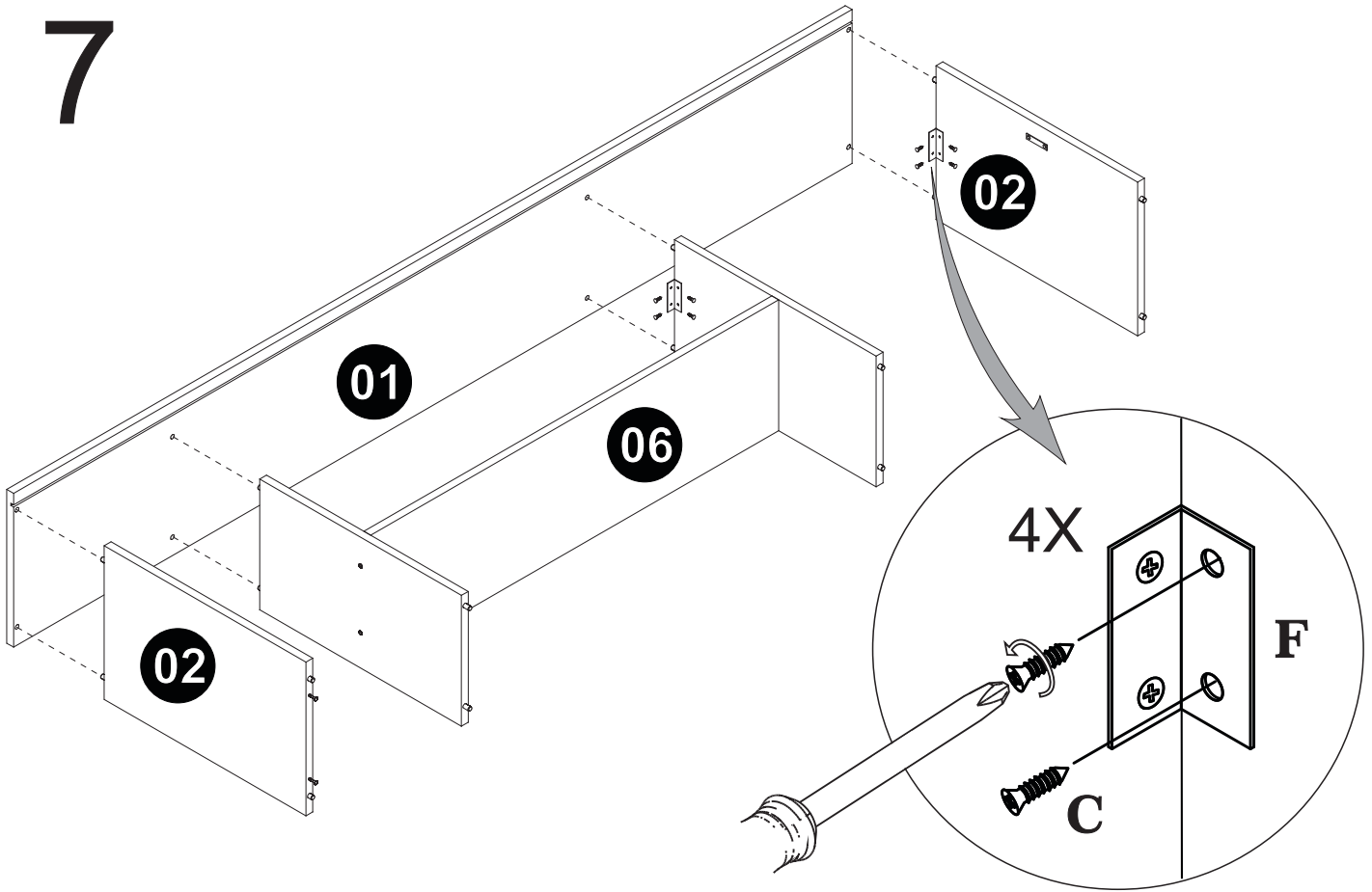
5



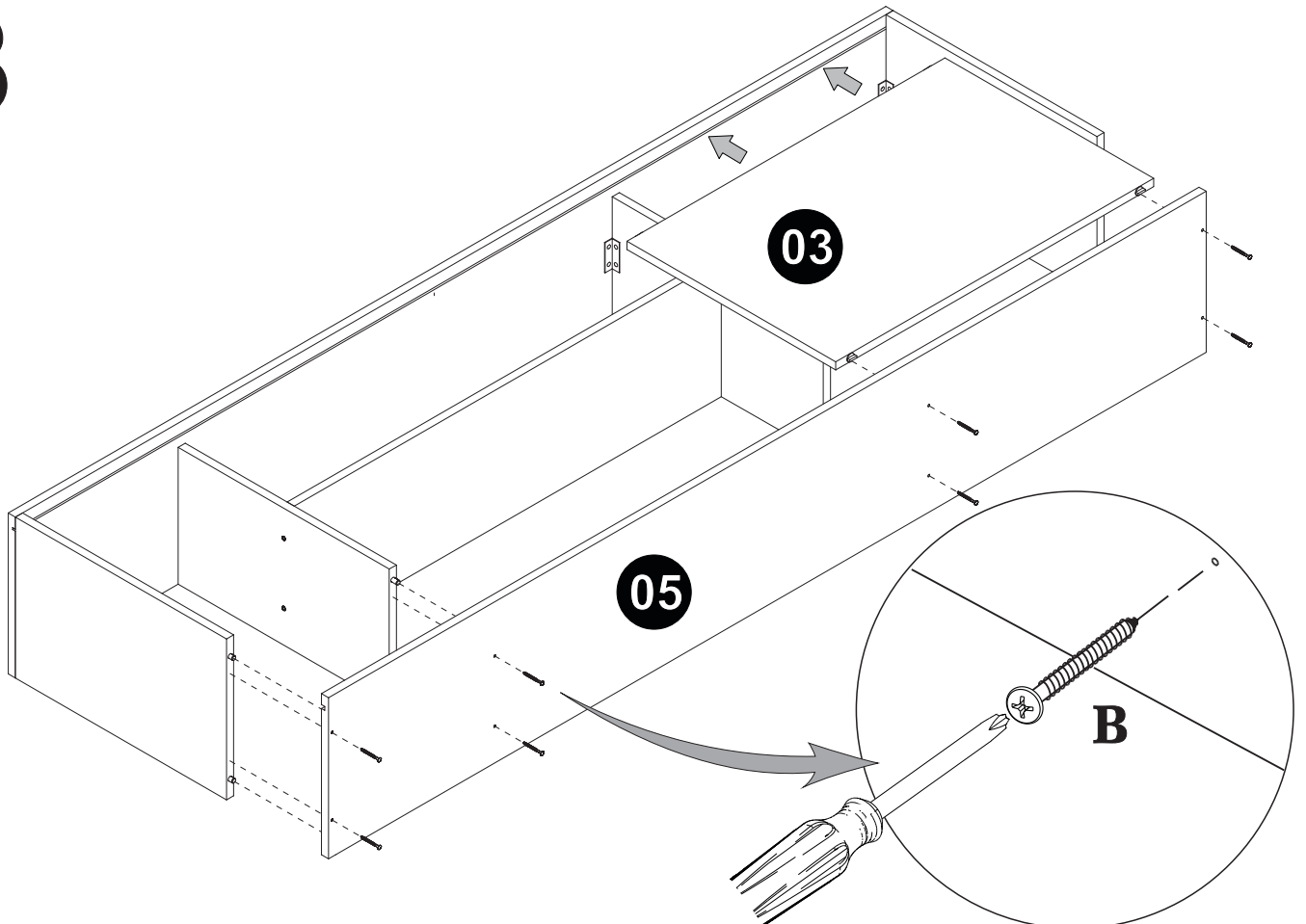
6



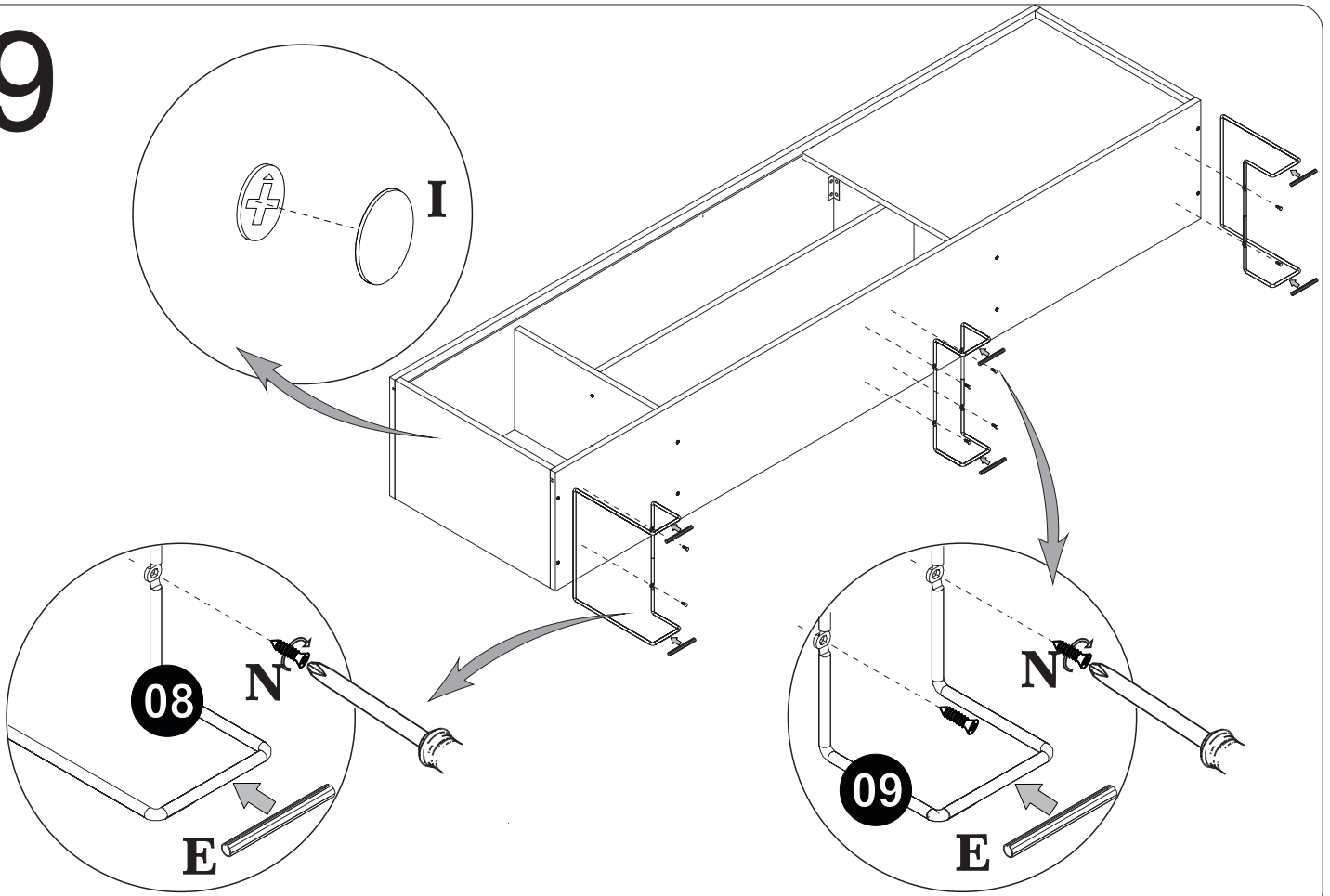
7



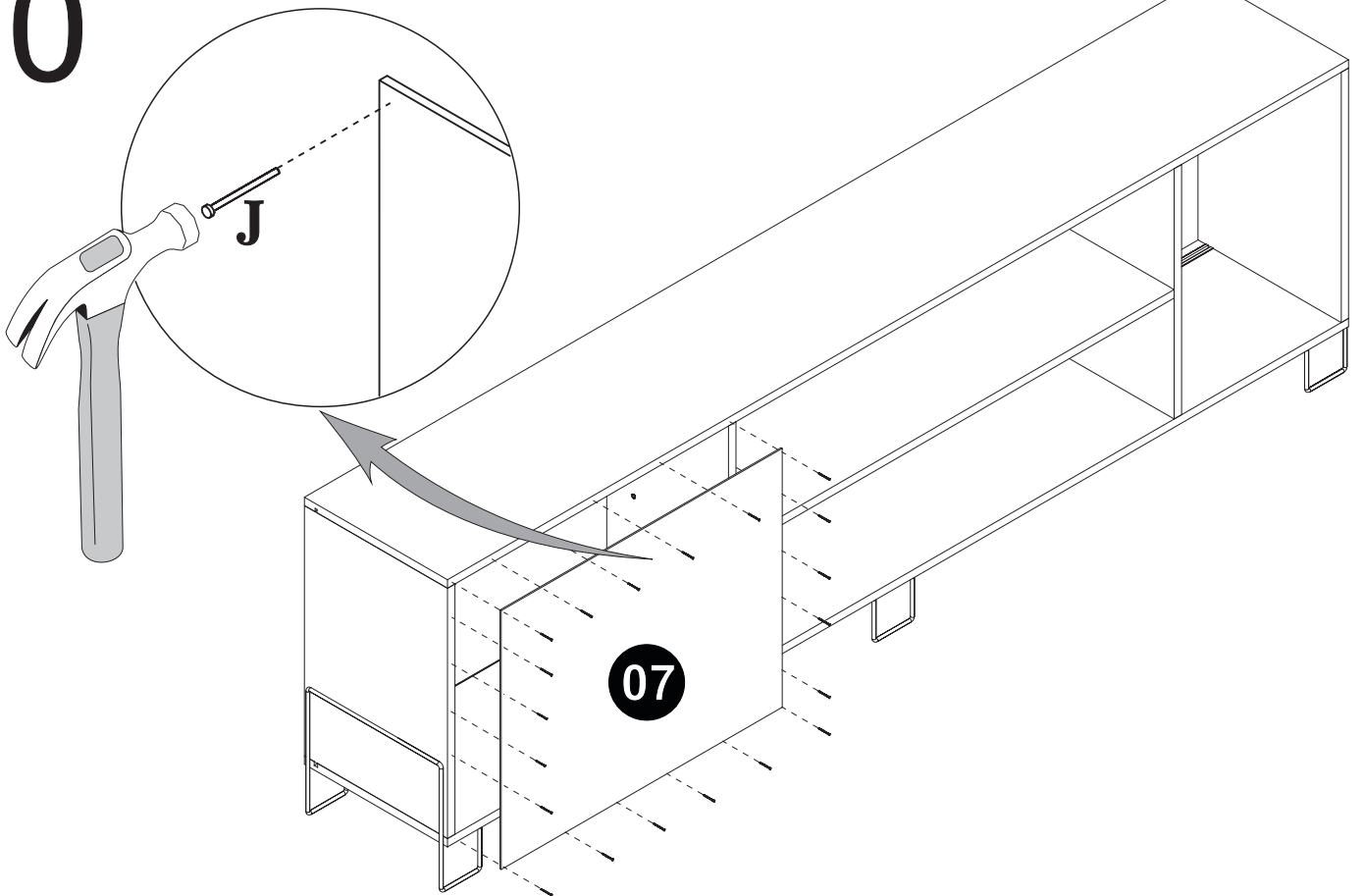
8

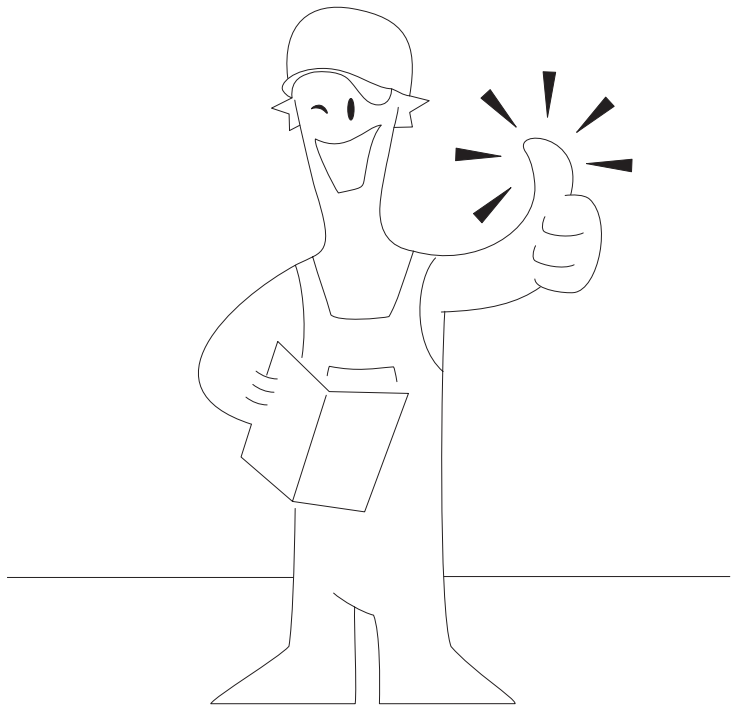
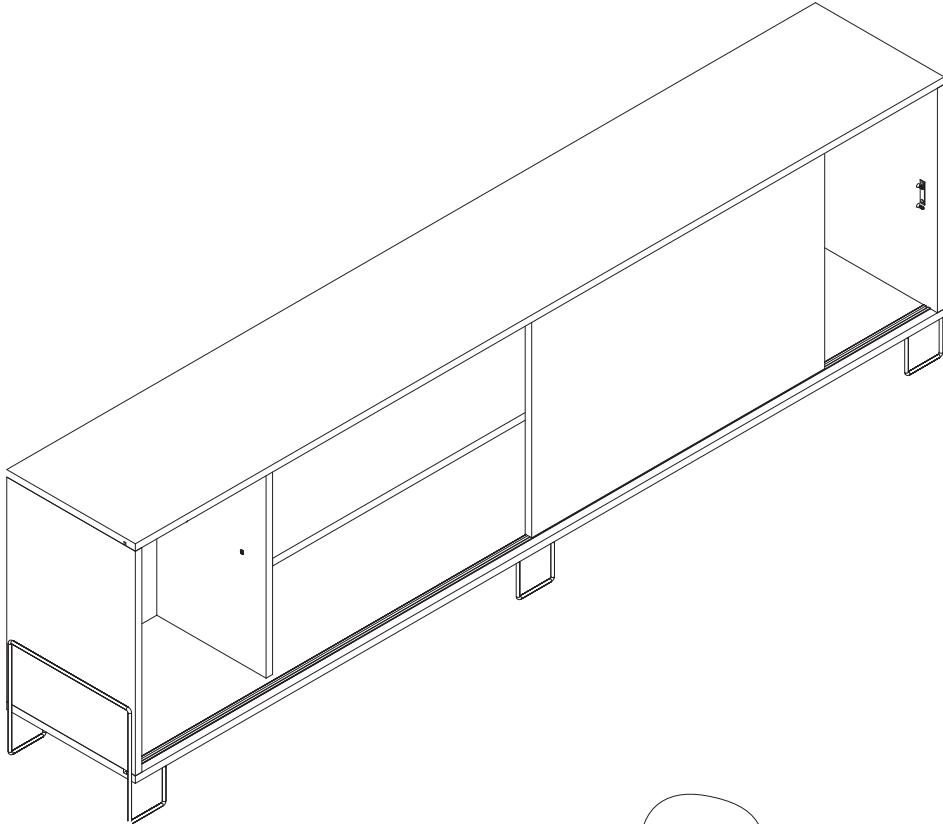


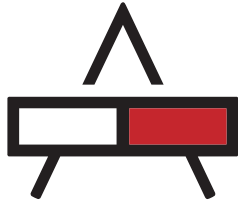
9



10







ACCENTUATIONS

by MANHATTAN COMFORT