

ACCENTUATIONS

by MANHATTAN COMFORT

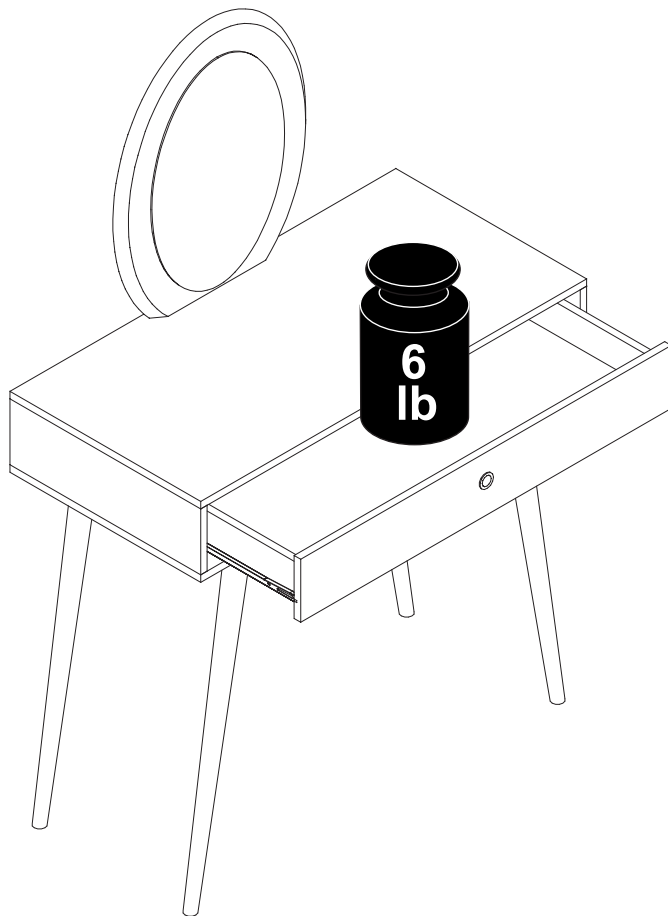
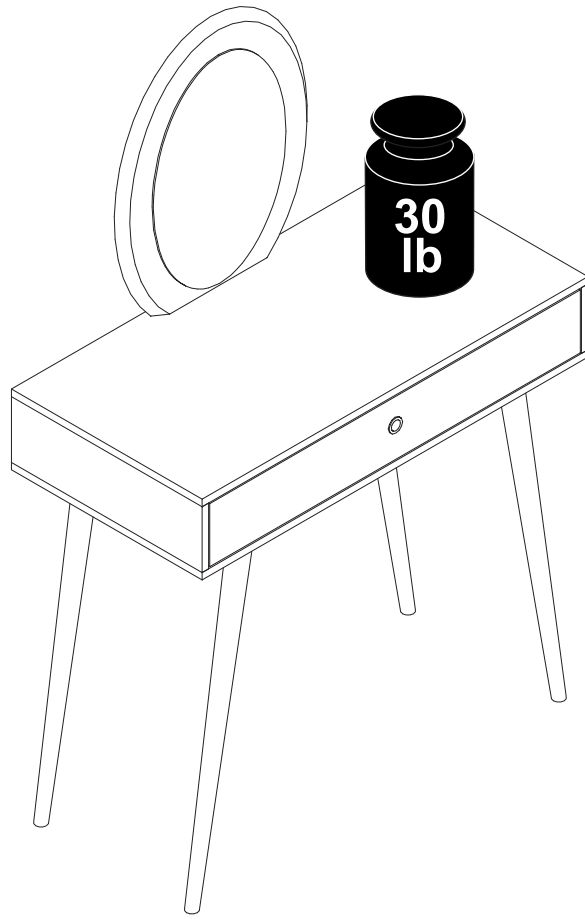


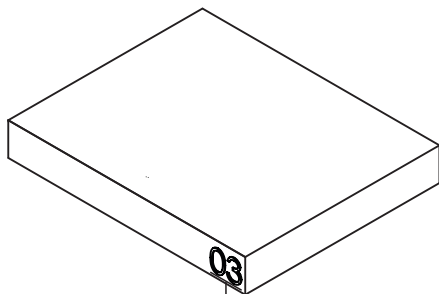
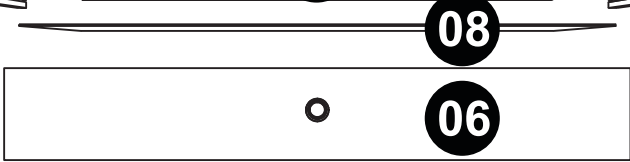
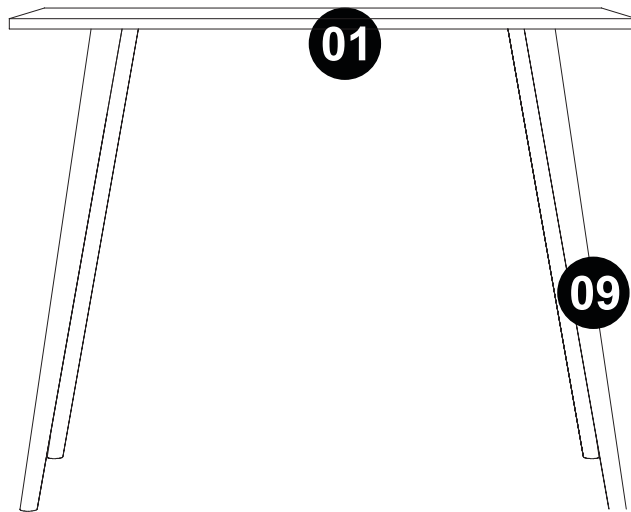
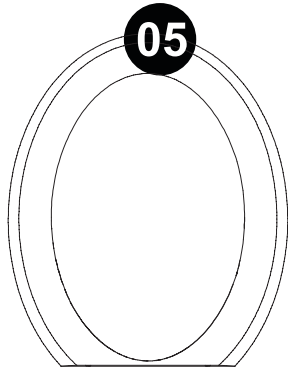
Mora Vanity

Model: 90AMC140

Stuck?! Need Help?! help@manhattancomfort.com 888-230-2225

Dimensions:
W:55.1" H:35.4" D:17.5"

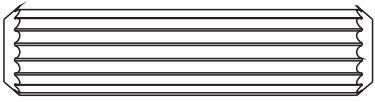

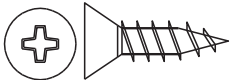


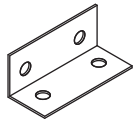
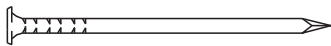
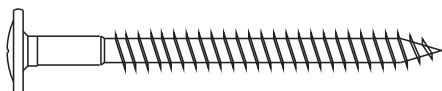



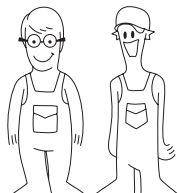
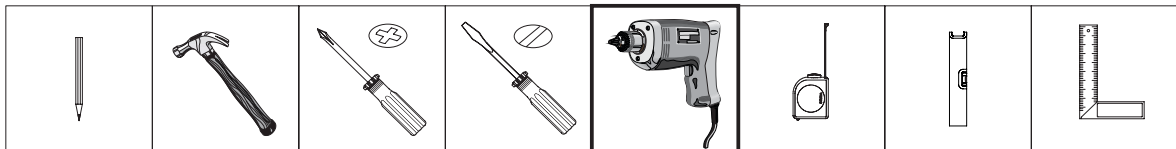


USE ALCOHOL TO REMOVE PART NUMBERS

PART	DESCRIPTION	QTY.
01	Base	01
02	Top	01
03	Left side	01
04	Right side	01
05	Back of mirror	01
06	Front drawer	01
07	Detail	01
08	Drawer base	01
09	Wood feet	04
20	Right drawer	01
21	Back drawer	01
22	Left drawer	01

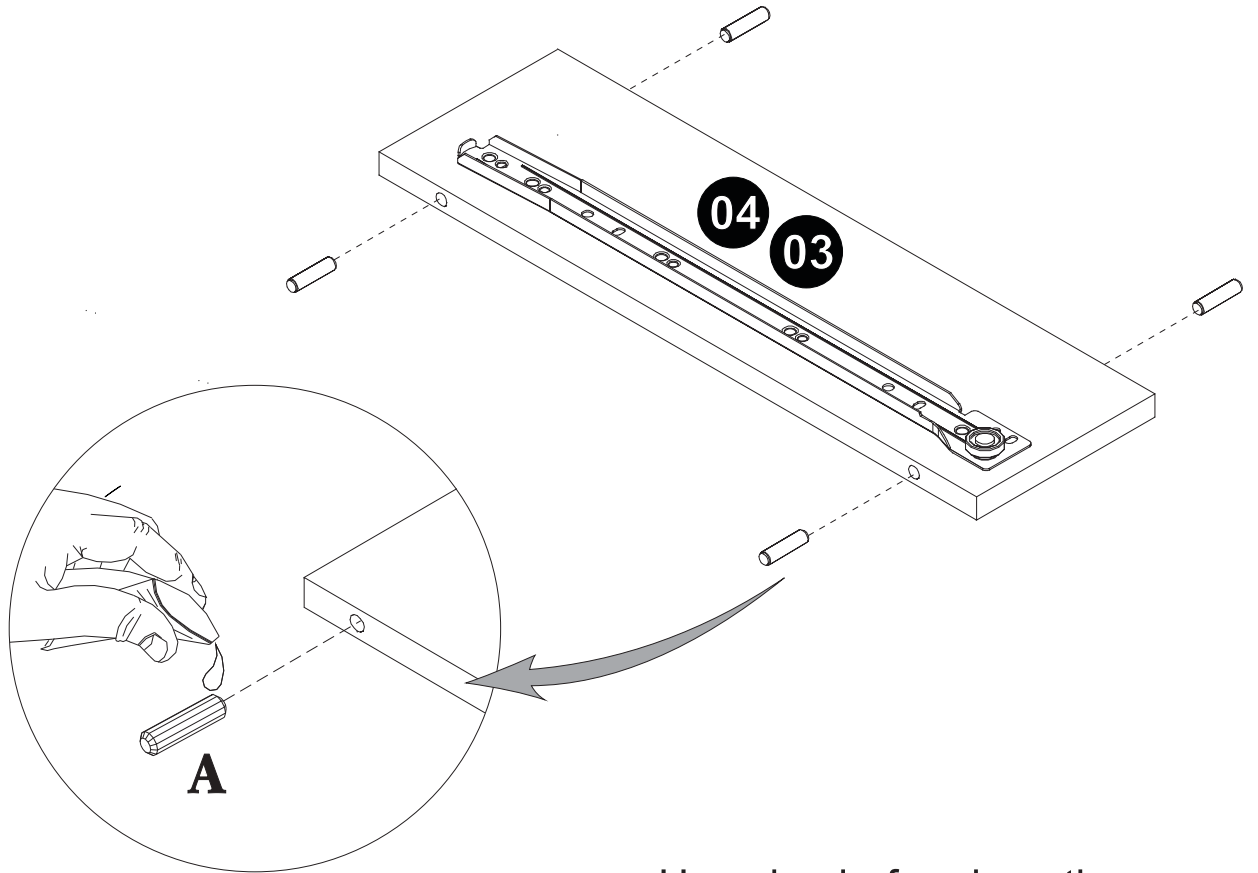
HARDWARE PARTS

PHOTO		CODE	QTY.
	A	EF 000033	10
	B	EF 000132	06
	C	EF 000106	28
	D	EF 000008	01
	E	EF 000462	04
	F	EF 000061	07
	G	EF 000168	08
	H	EF 000246	04
	J	HANDLE	01



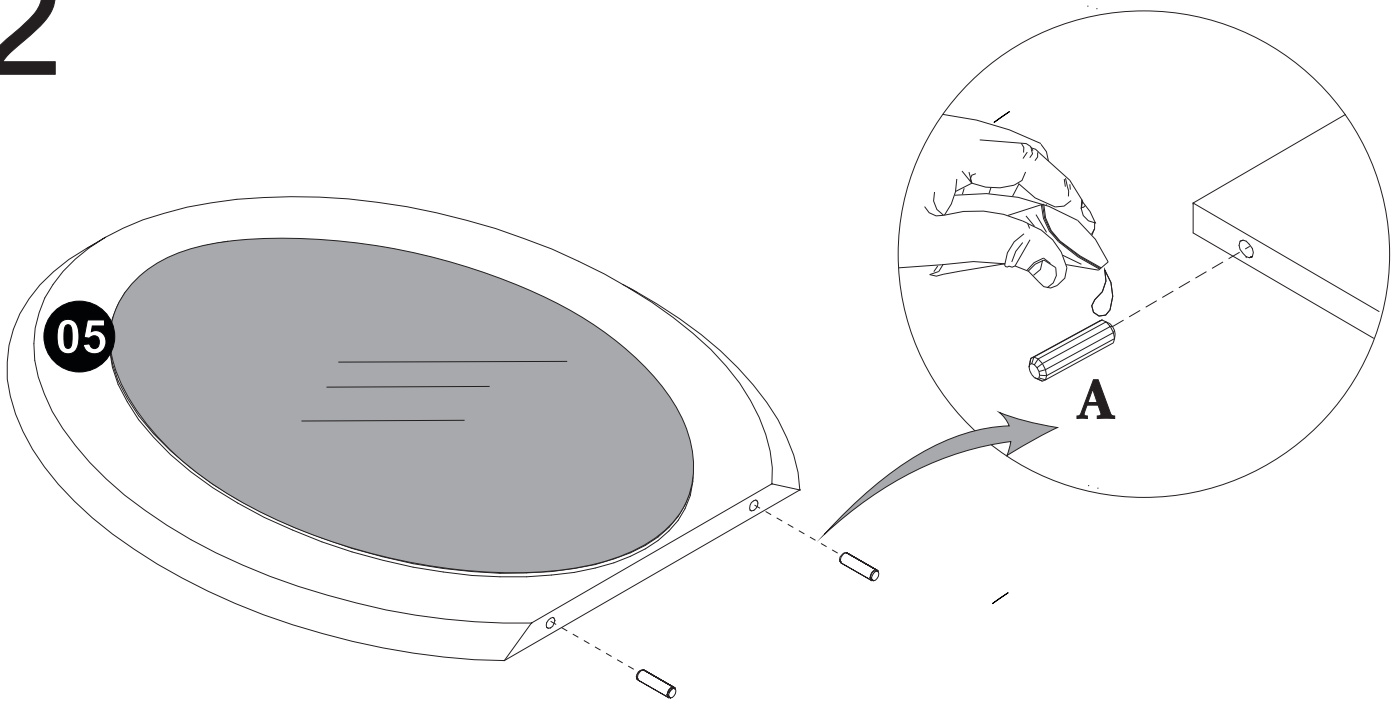
TO IMPROVE ASSEMBLY, USE AN ELECTRONIC SCREWDRIVER

1



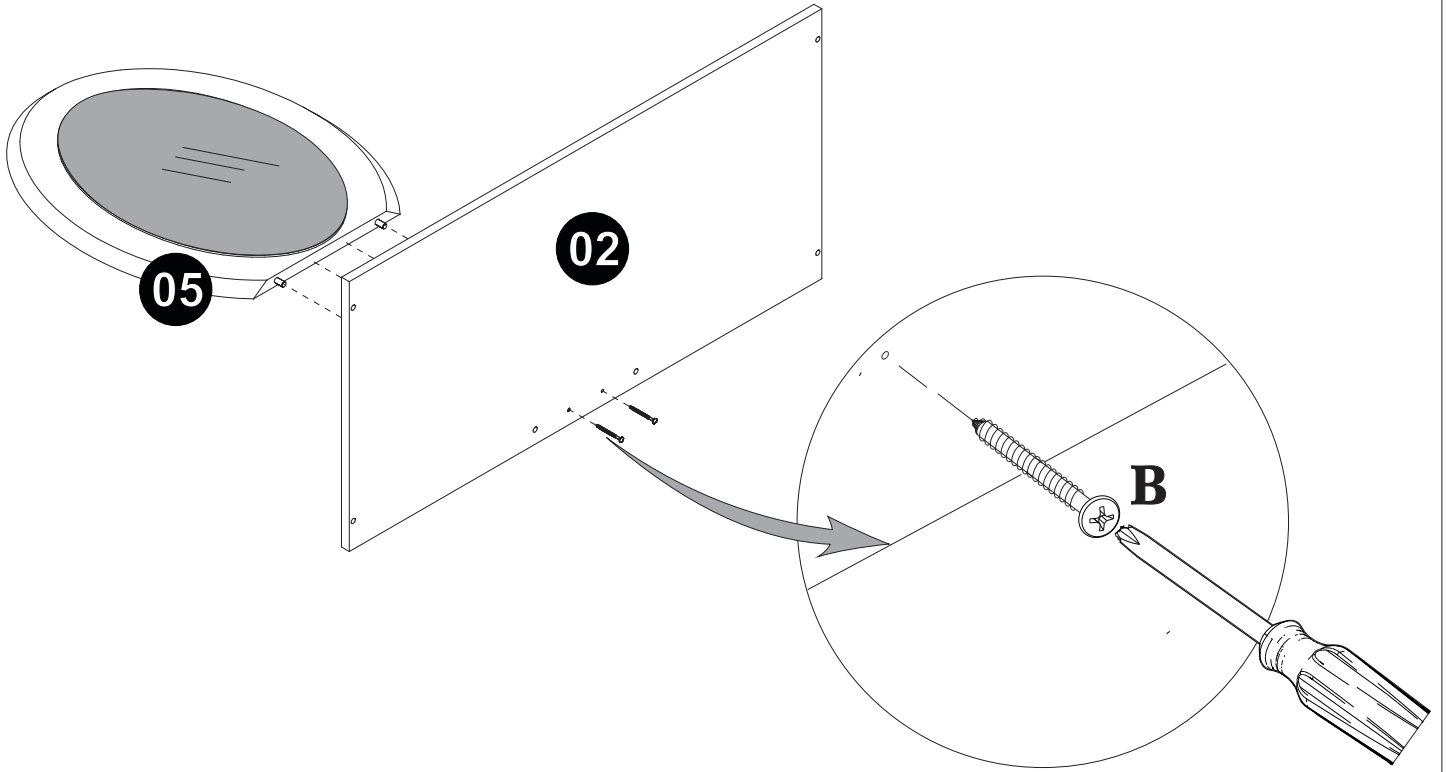
Use glue before inserting screw.

2

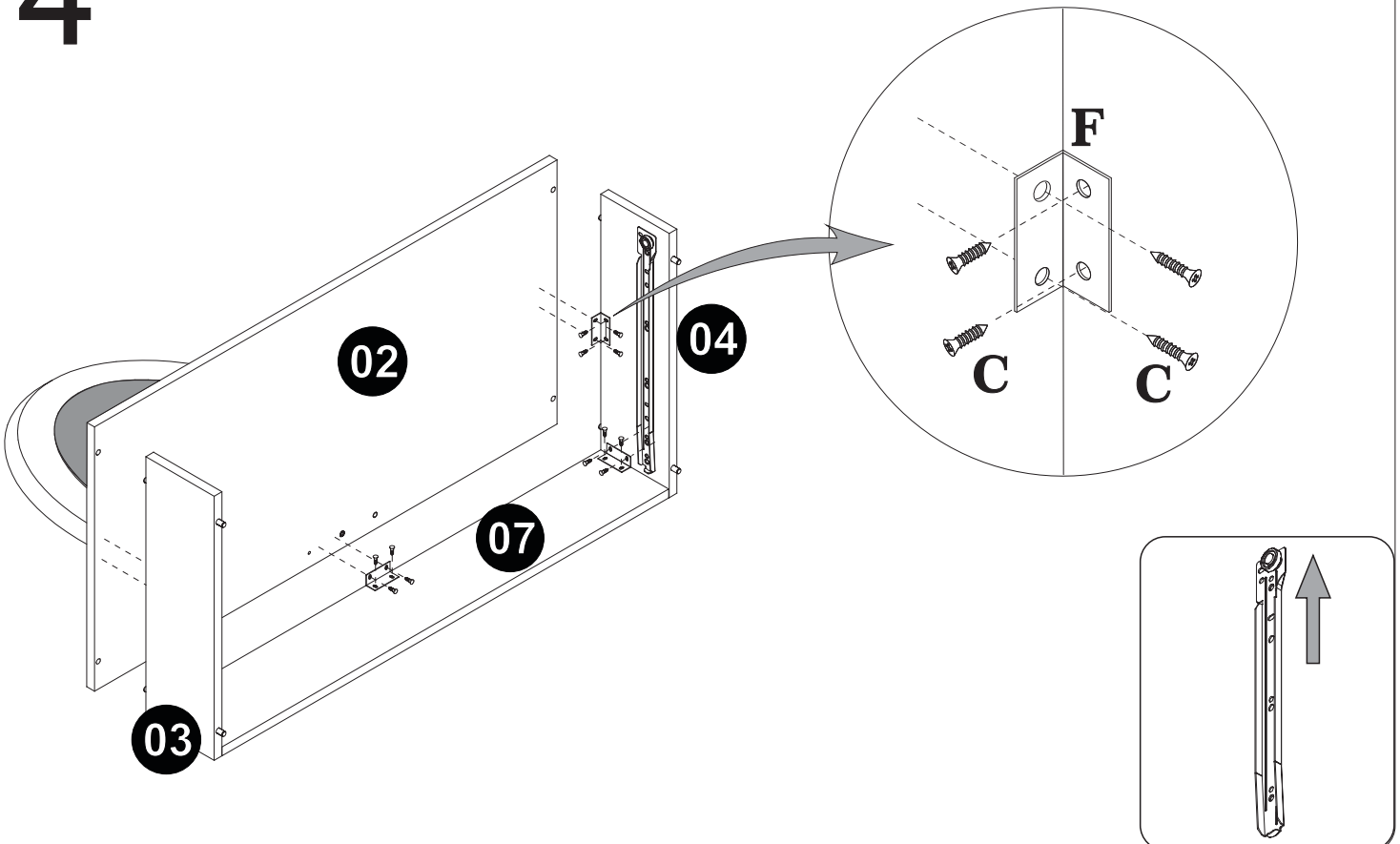


Use glue before inserting screw.

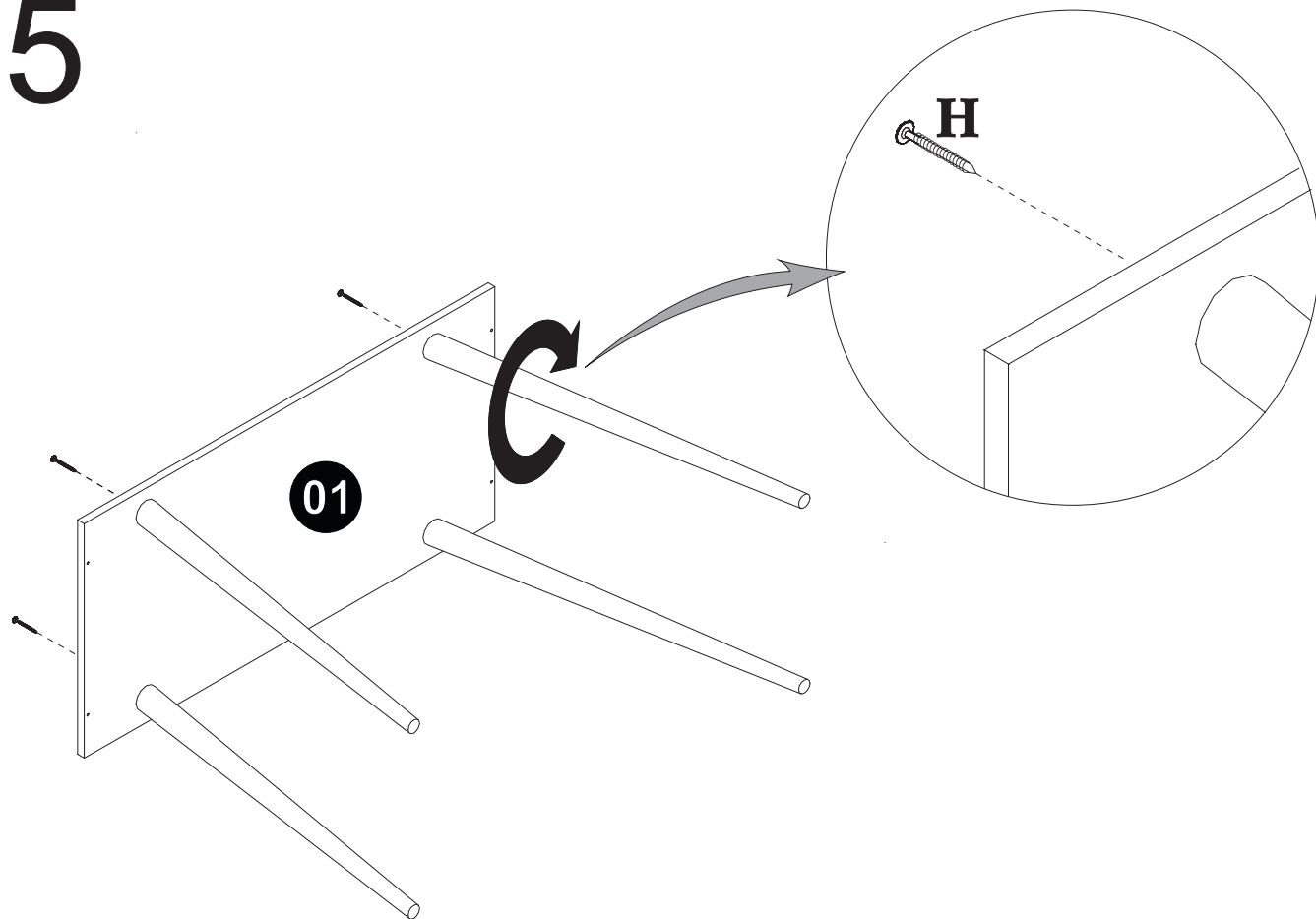
3



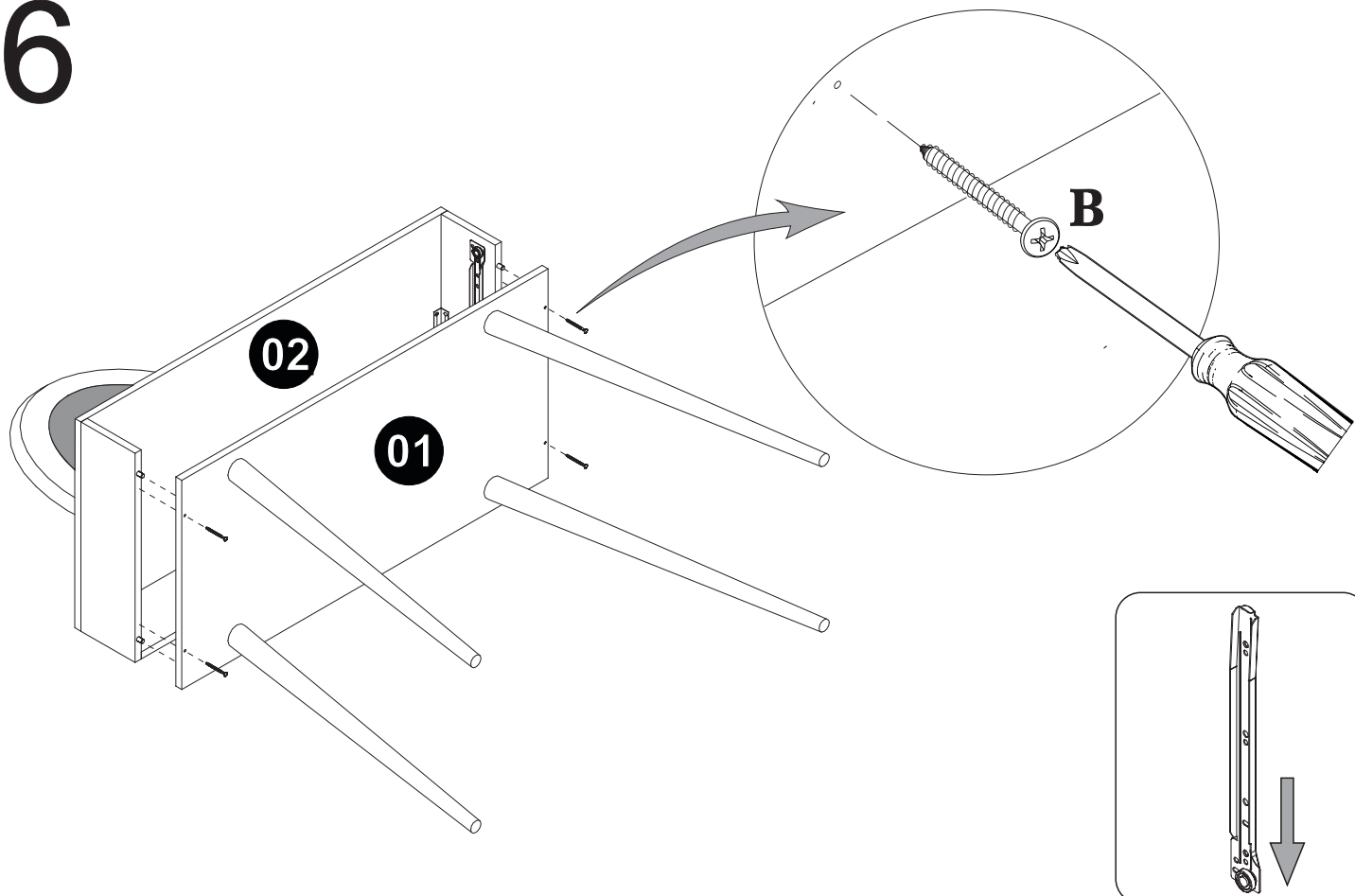
4



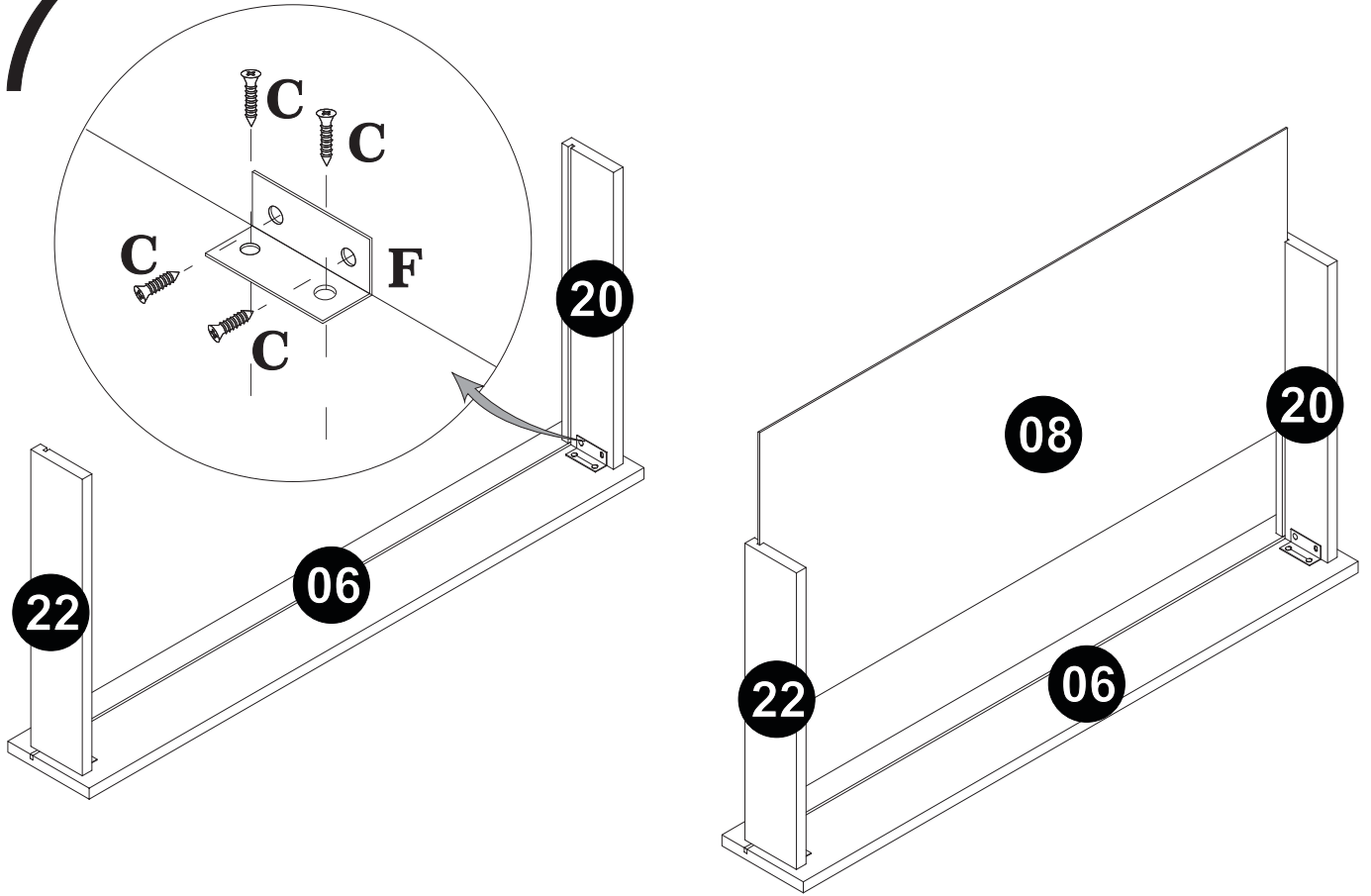
5



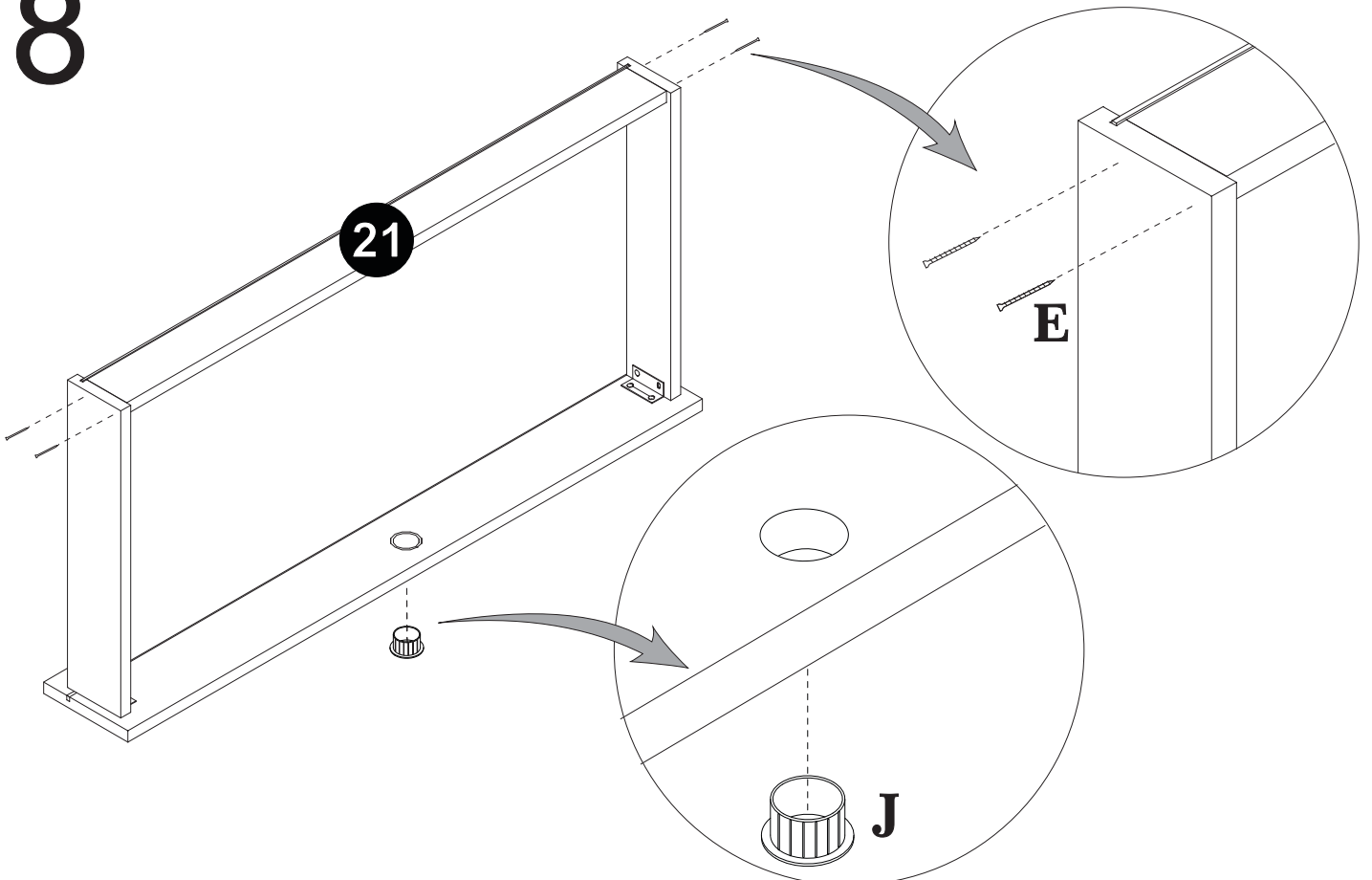
6



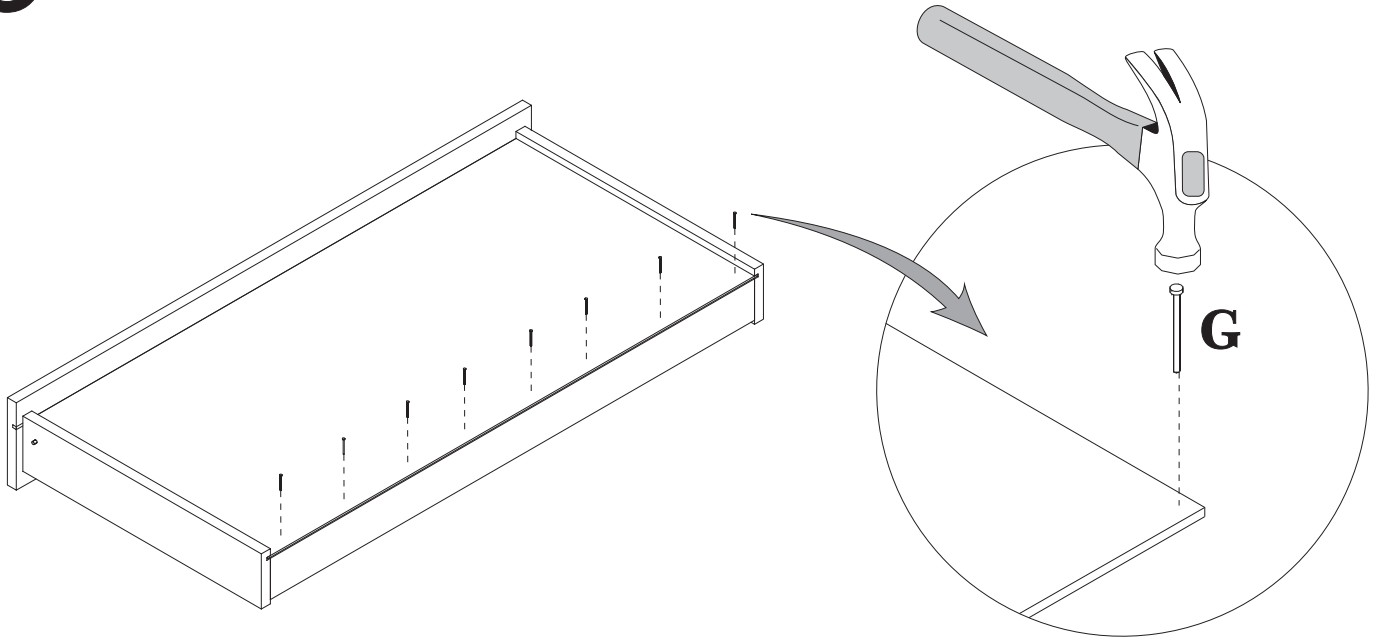
7



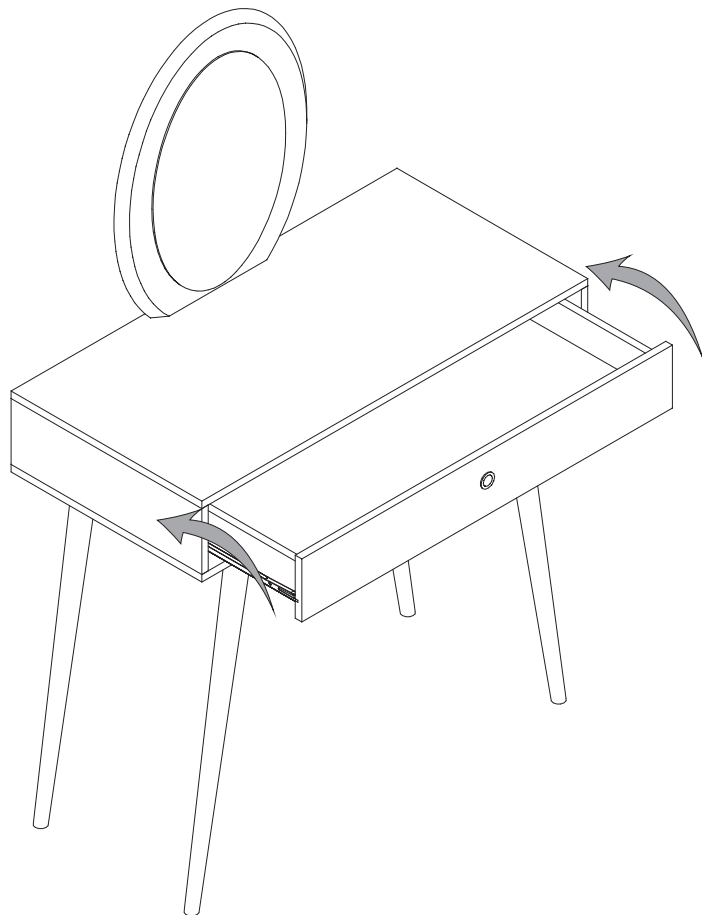
8

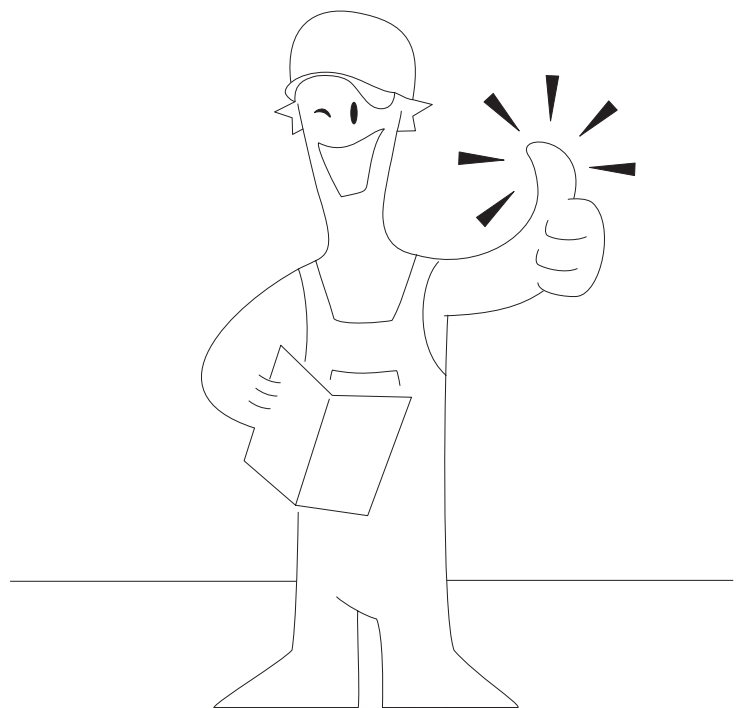
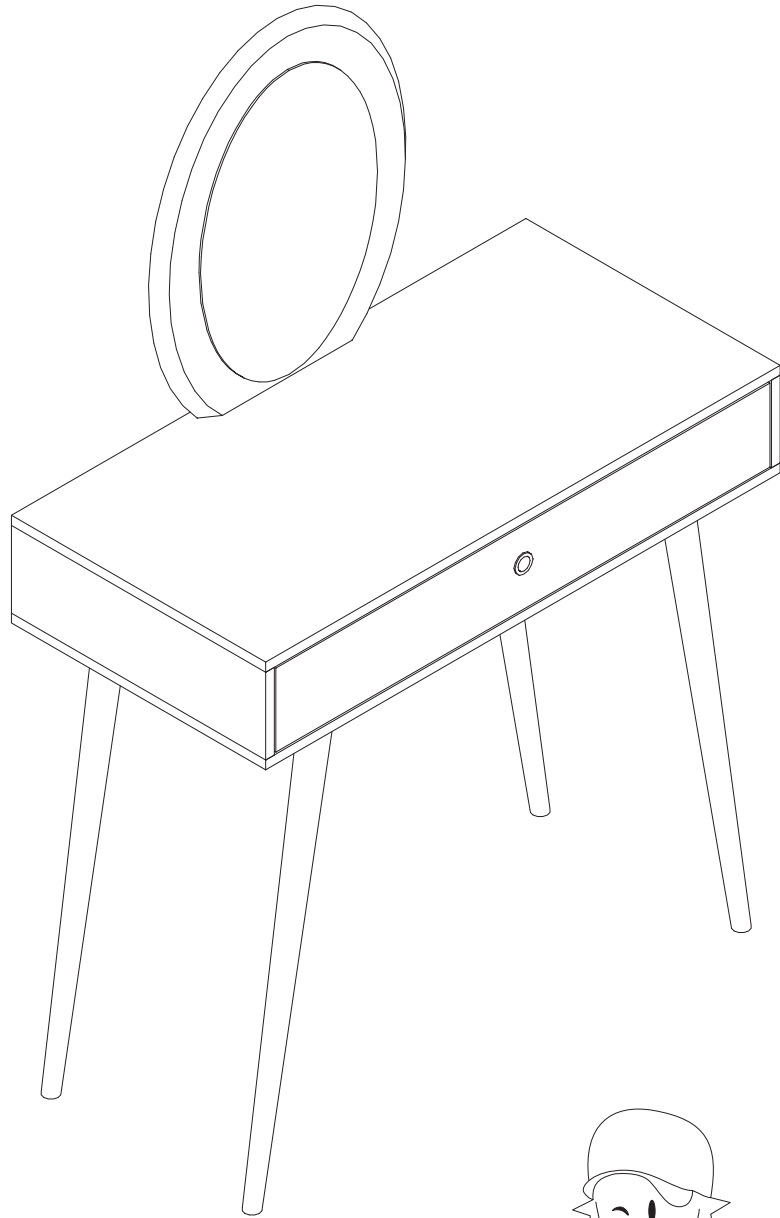


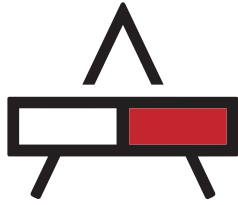
9



10







ACCENTUATIONS

by MANHATTAN COMFORT