

ACCENTUATIONS

by MANHATTAN COMFORT

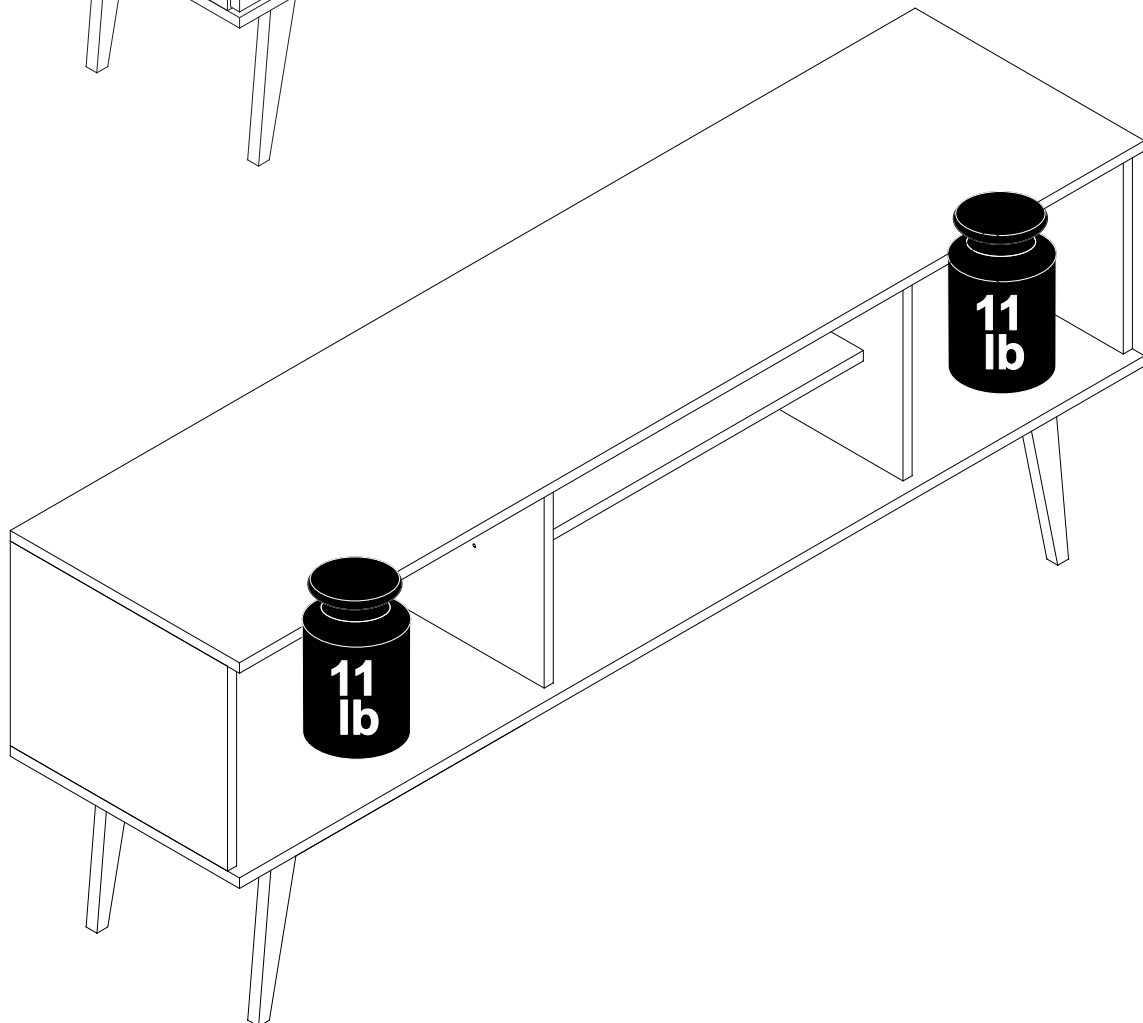
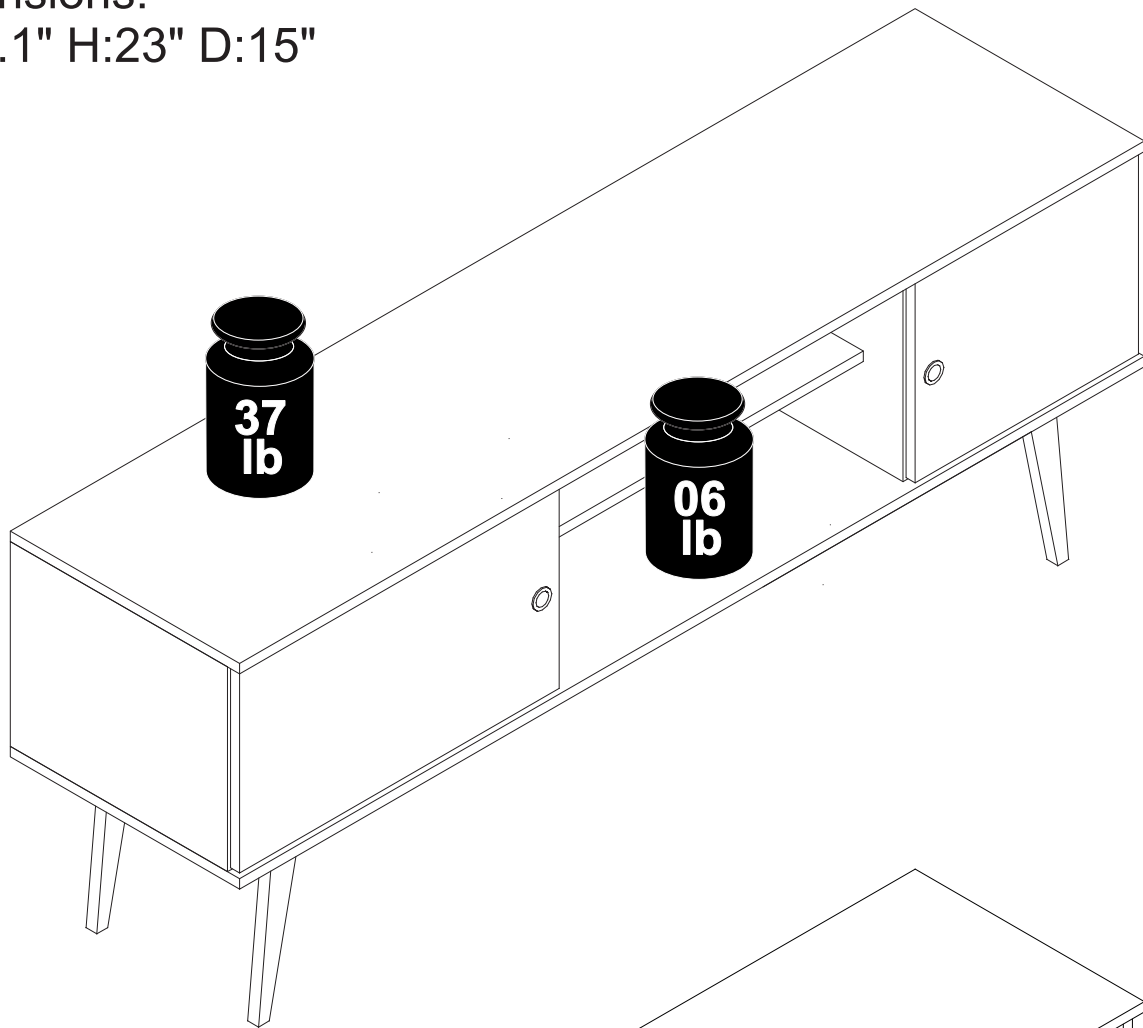


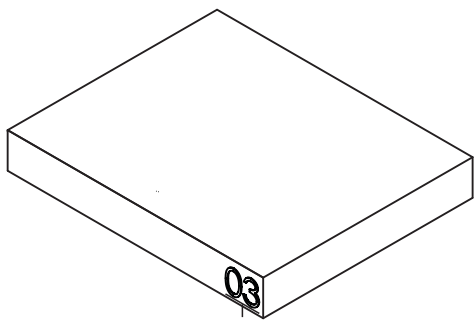
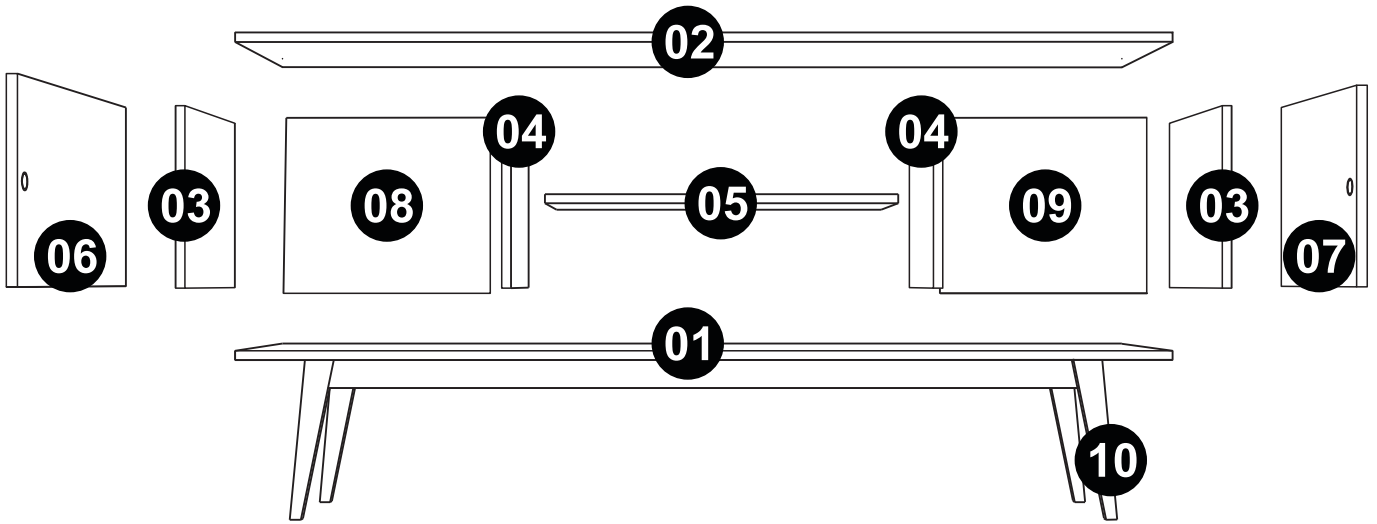
Salem TV Stand

Model: 61AMC143, 61AMC 144

Stuck?! Need Help?! help@manhattancomfort.com 888-230-2225

Dimensions:
W:59.1" H:23" D:15"



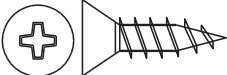

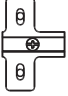
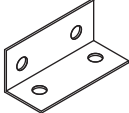
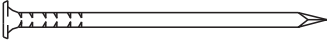


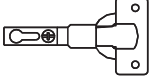


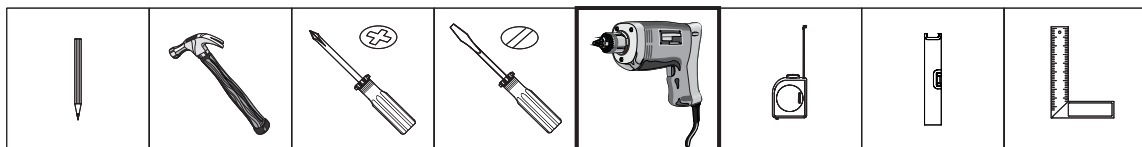


USE ALCOHOL TO REMOVE PART NUMBERS

PART	DESCRIPTION	QTY.
01	Base	01
02	Top	01
03	Side	02
04	Partittion	02
05	Shelf	01
06	Longer door	01
07	Lower door	01
08	Longer back	01
09	Lower back	01
10	Wood feet	01

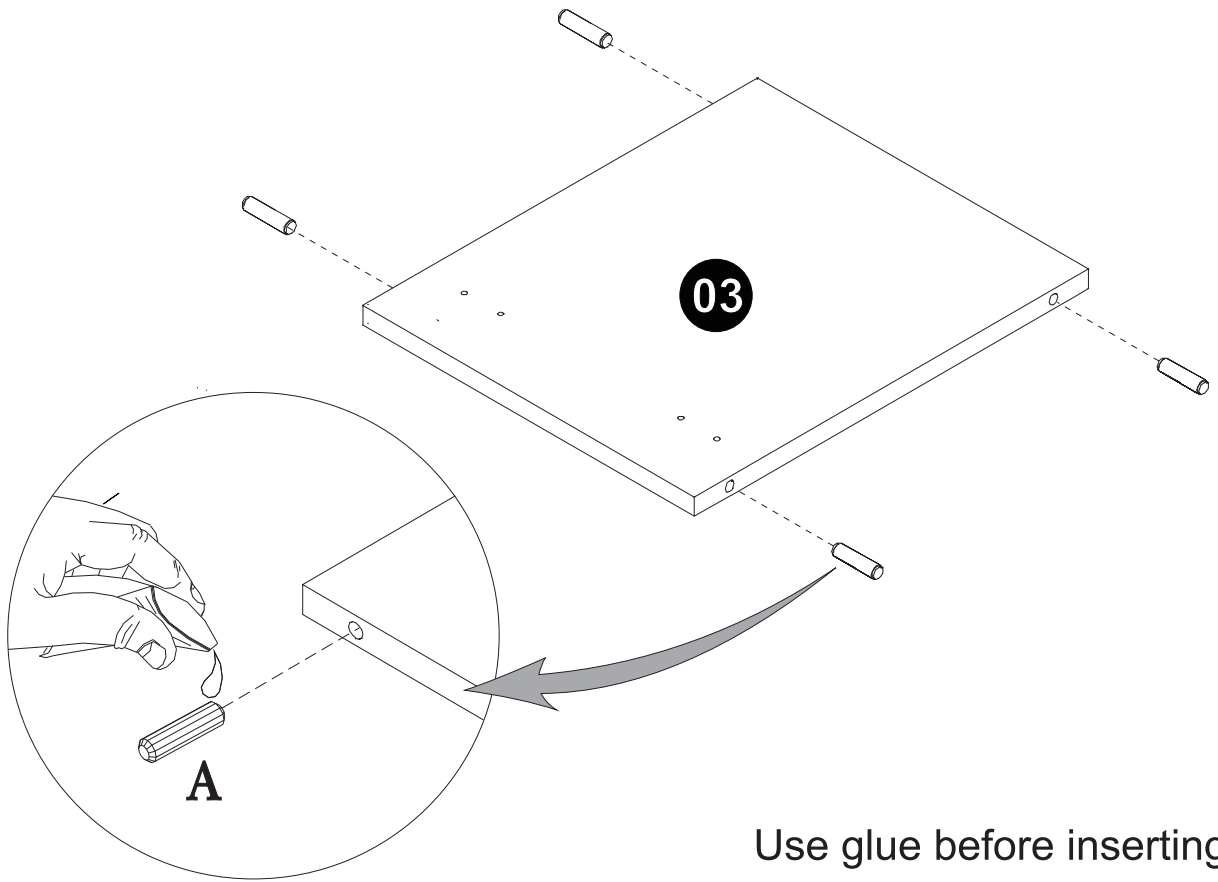
HARDWARE PARTS

PHOTO		CODE	QTY.
	A	EF 000033	28
	B	EF 000132	12
	C	EF 000106	32
	D	EF 000008	01
	E	EF 000349	04
	F	EF 000061	04
	G	EF 000168	32
	H	EF 000113	12
	I	HANDLE	02
	J	EF 000044	04



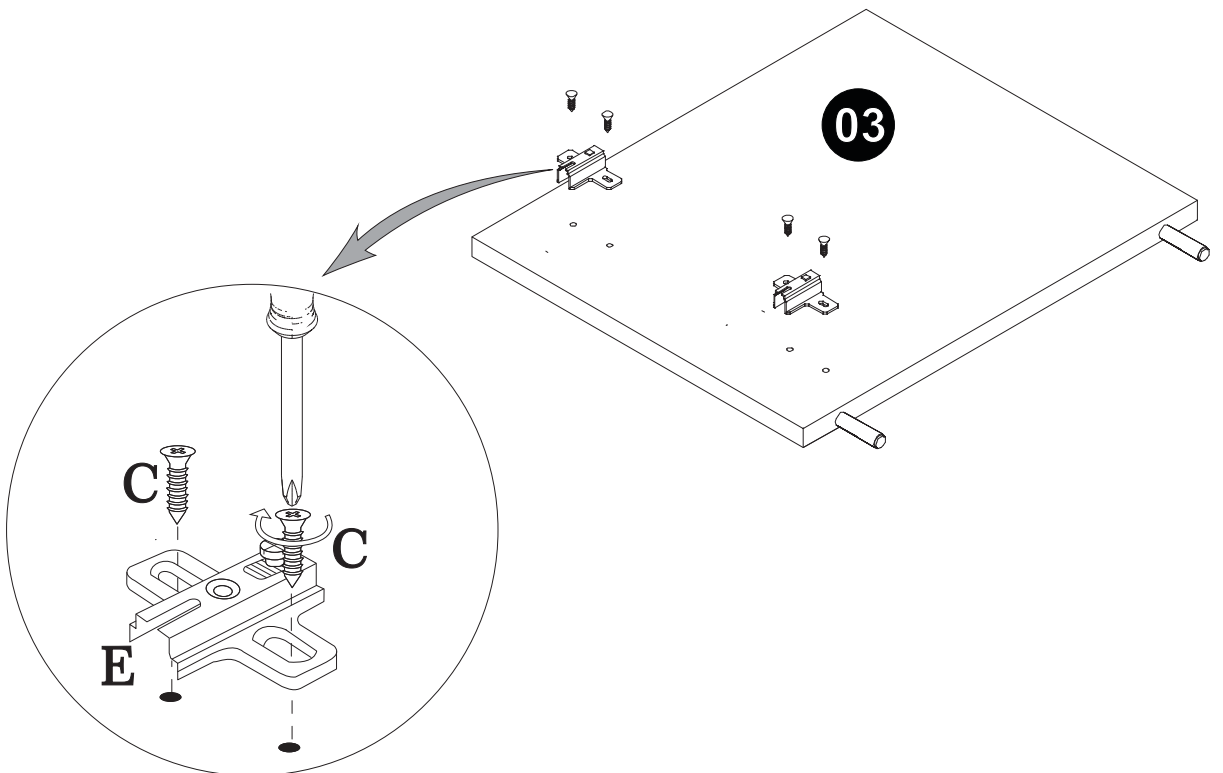
TO IMPROVE ASSEMBLY, USE AN ELECTRONIC SCREWDRIVER

1



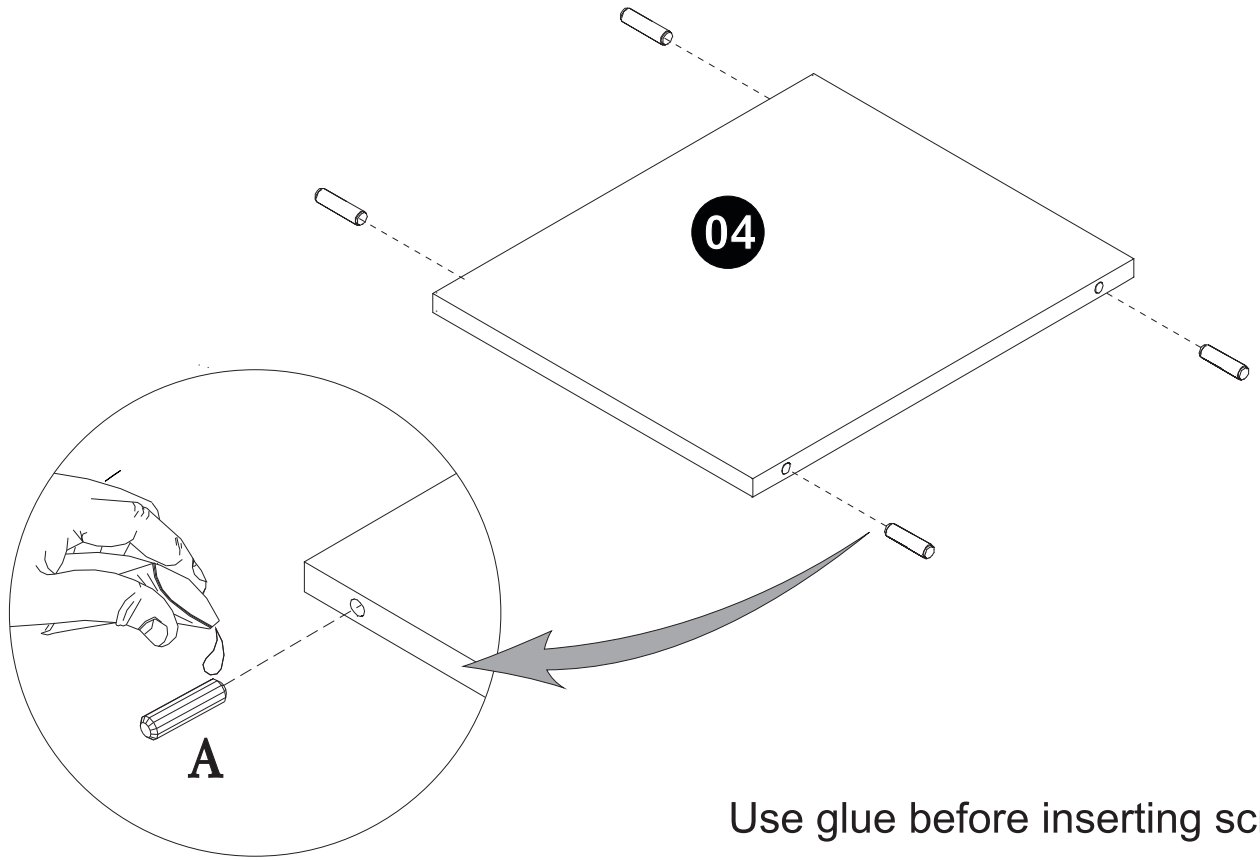
Use glue before inserting screw.

2

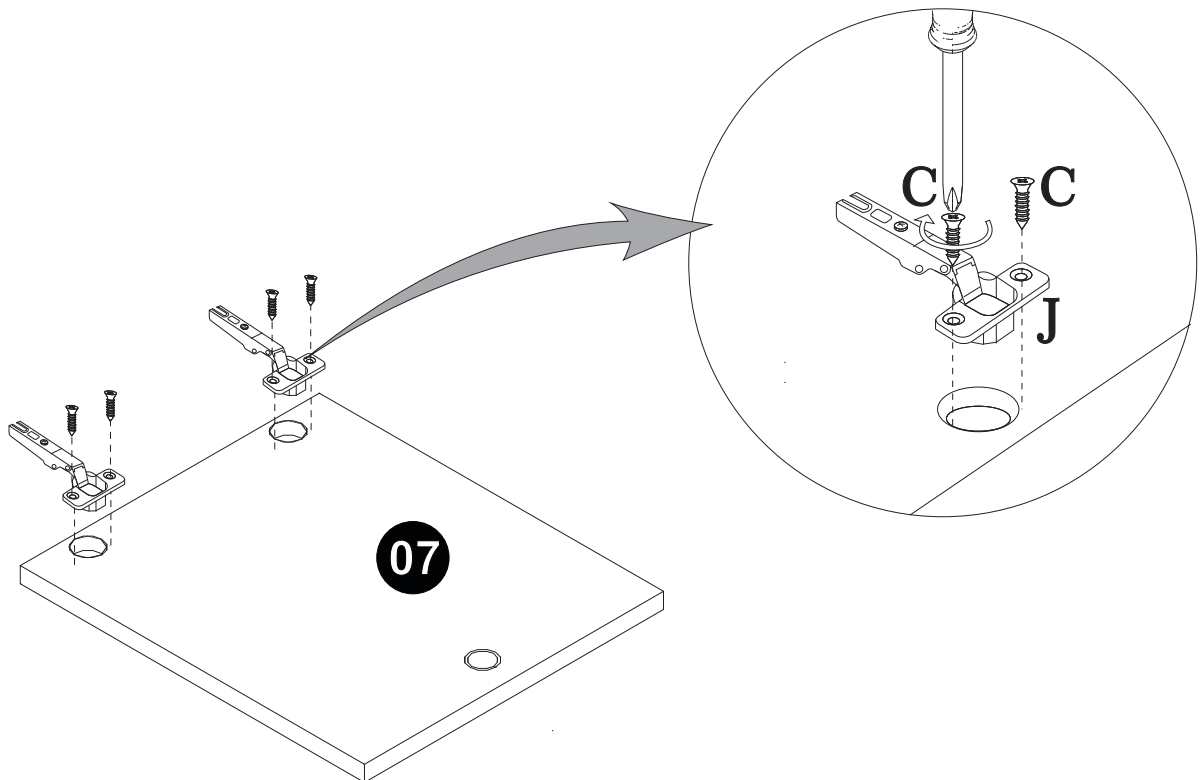


Use glue before inserting screw.

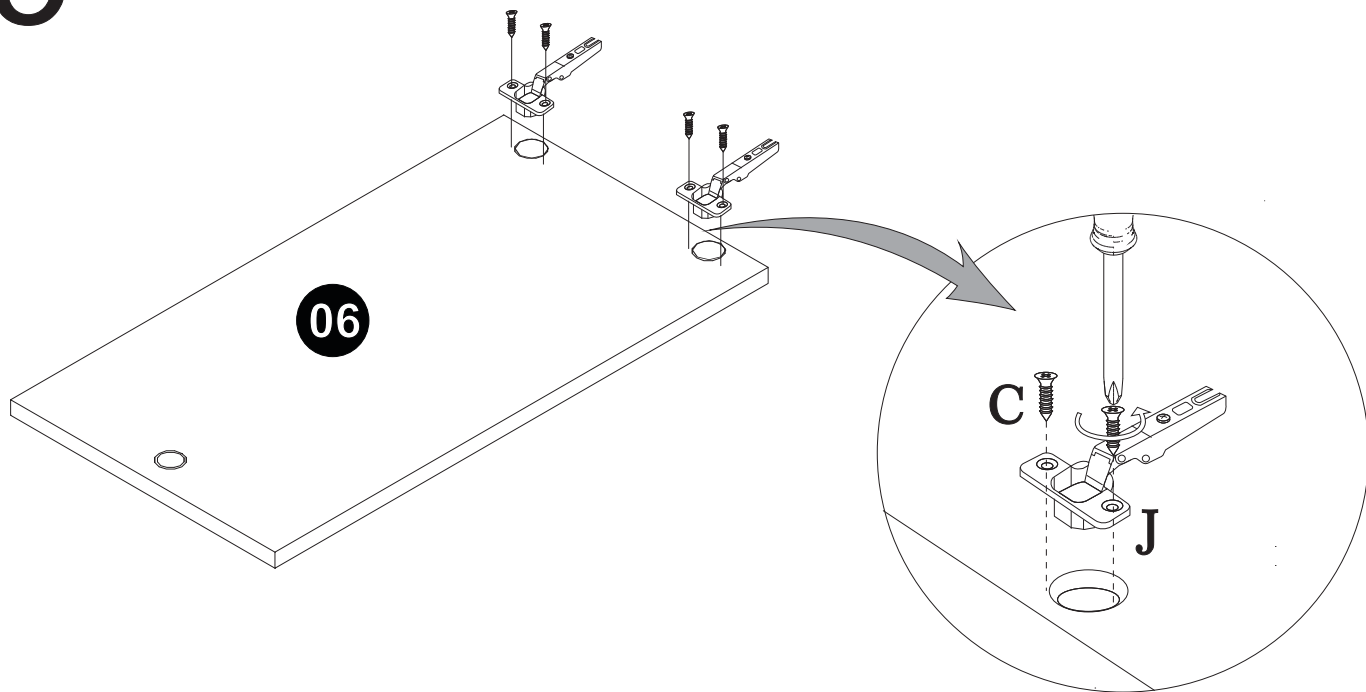
3



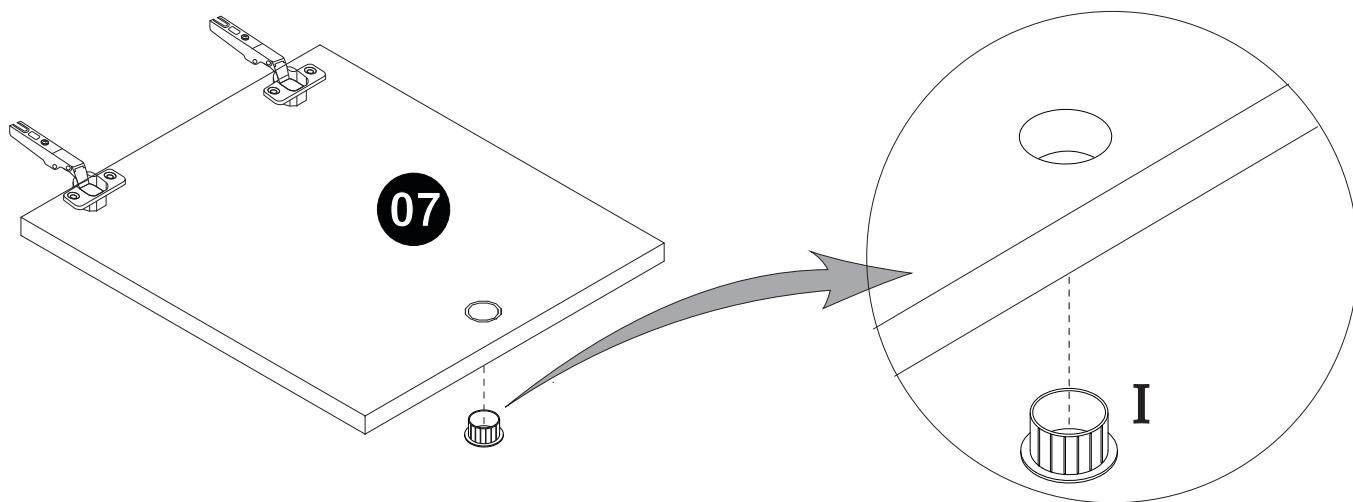
4



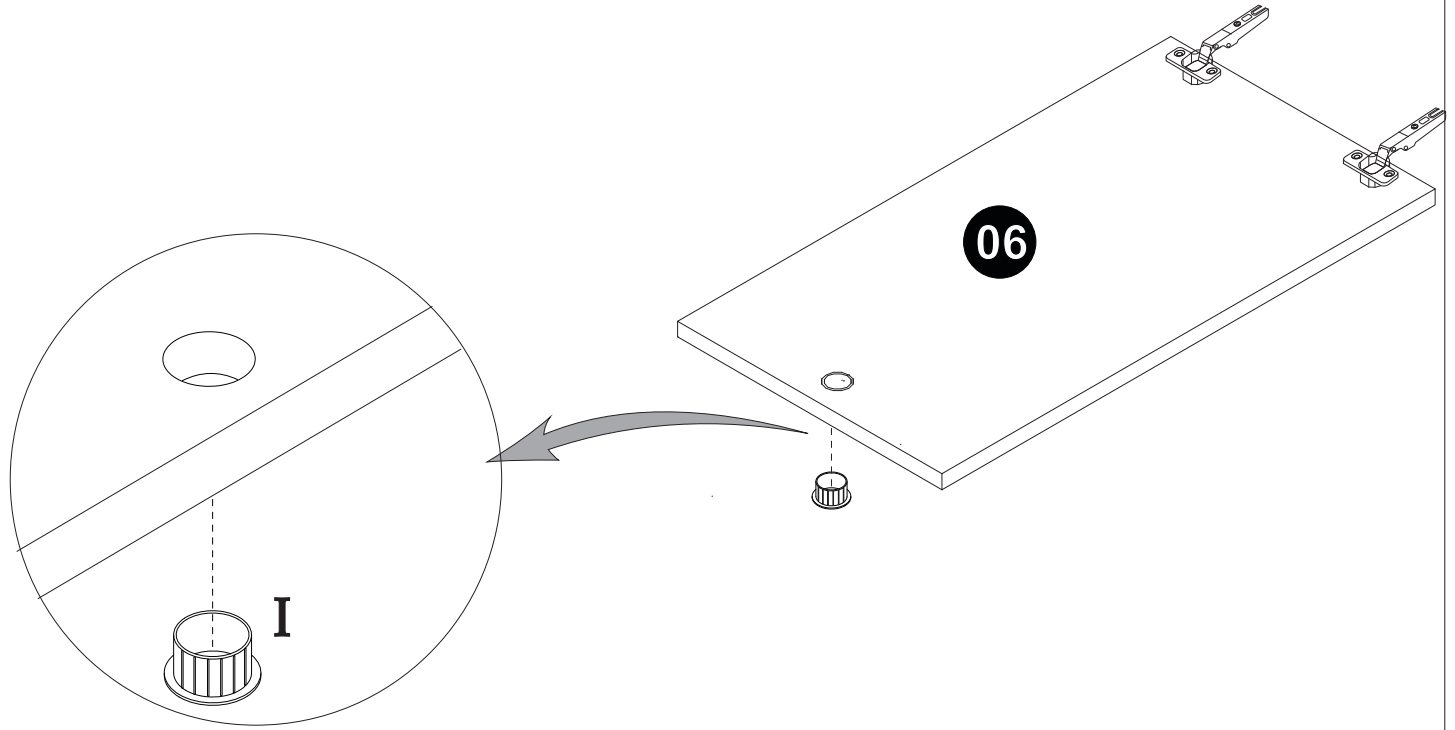
5



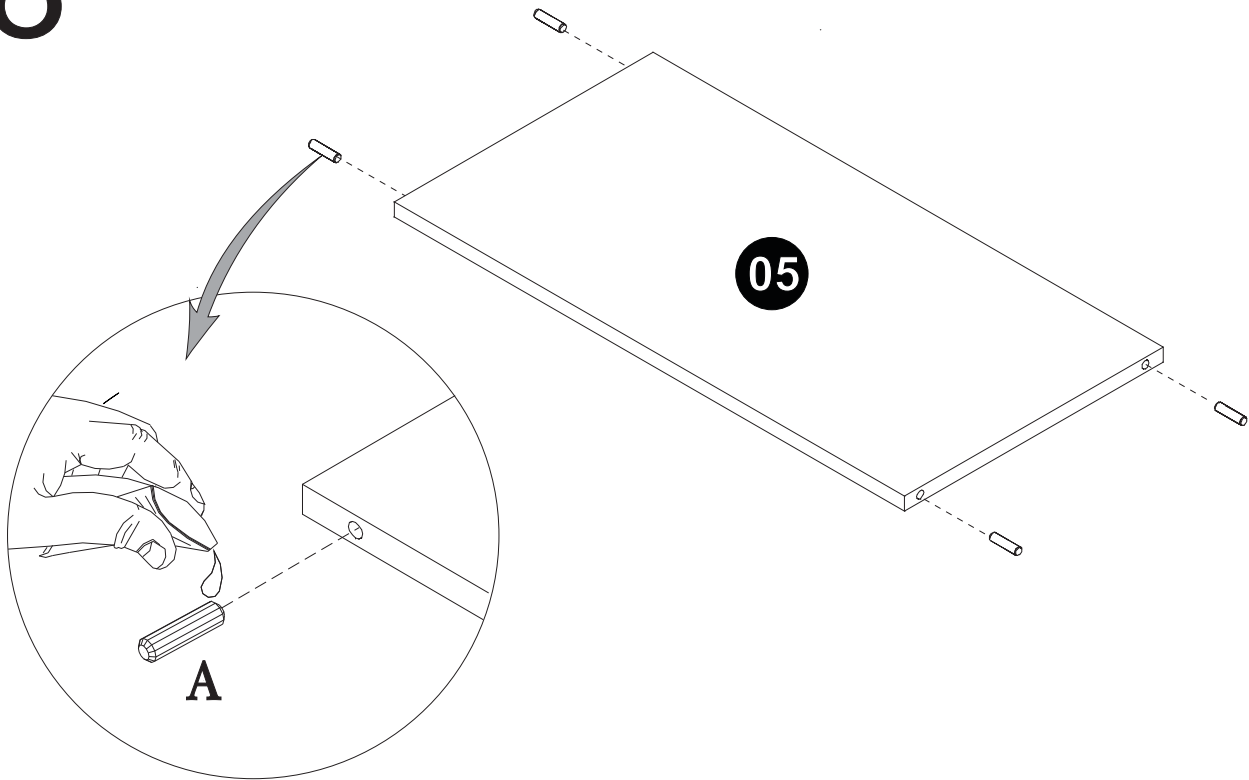
6



7

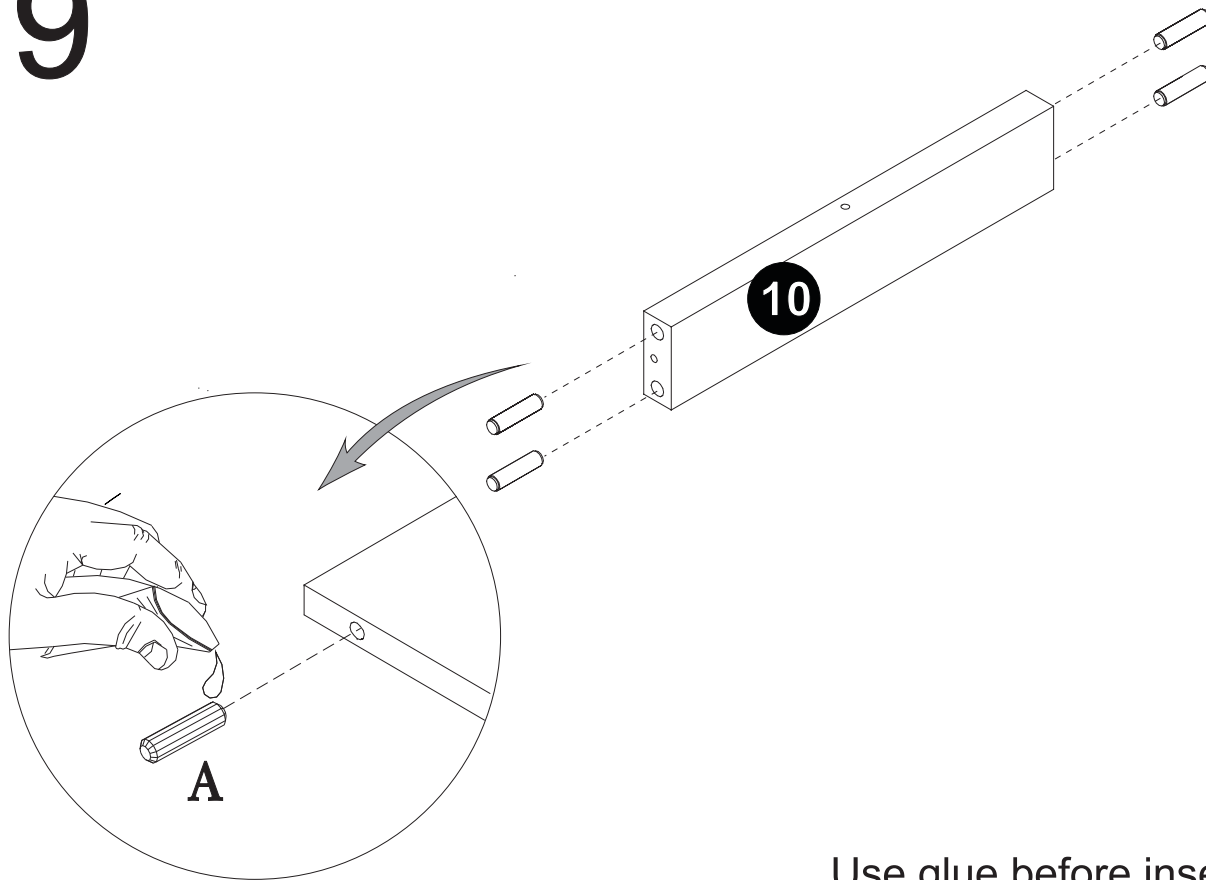


8



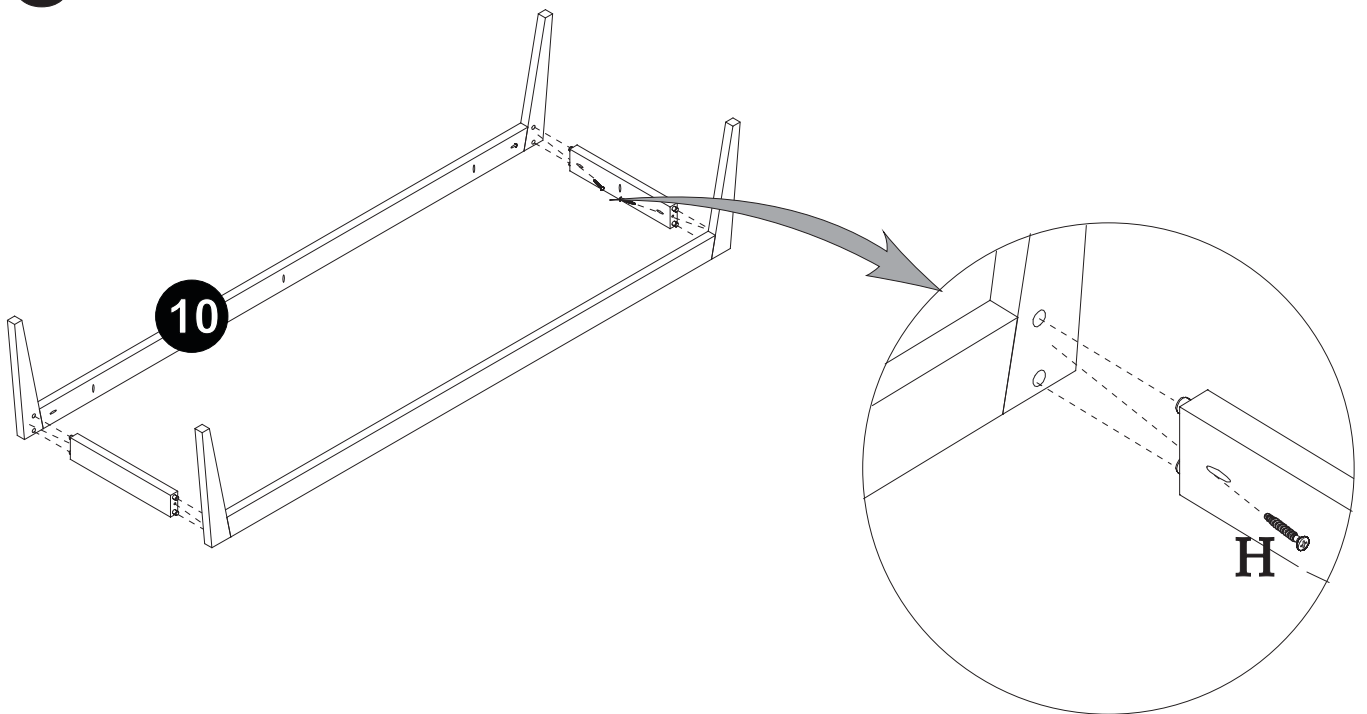
Use glue before inserting screw.

9

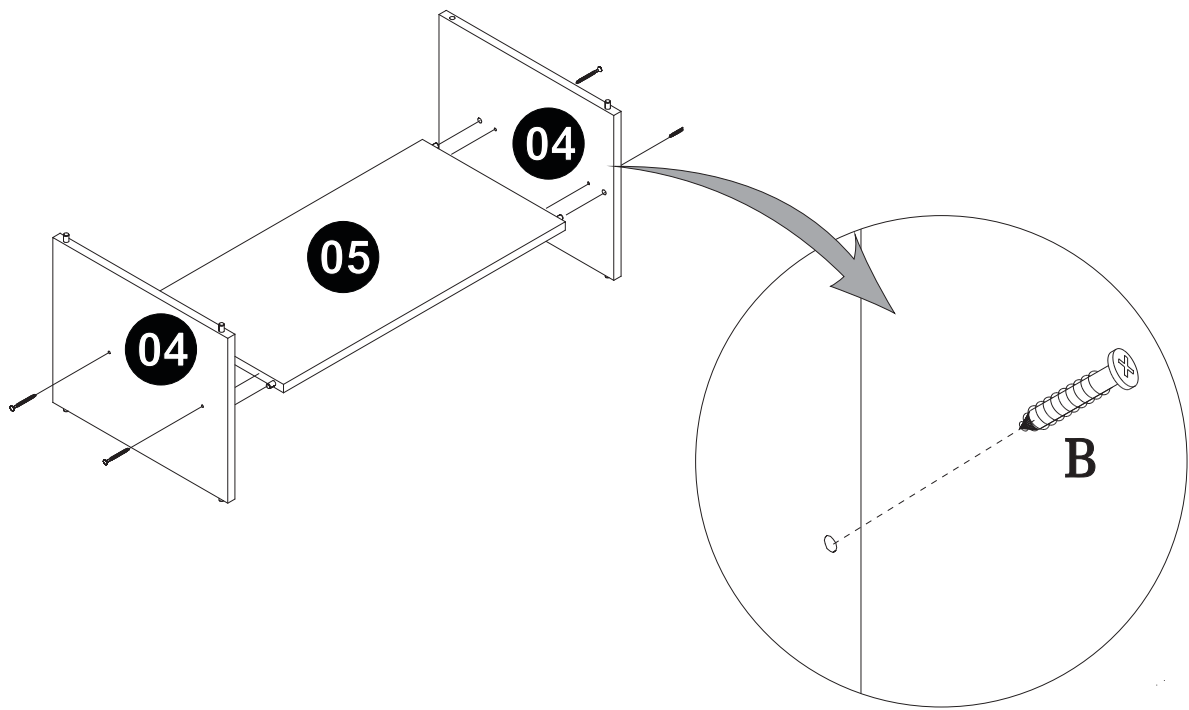


Use glue before inserting screw.

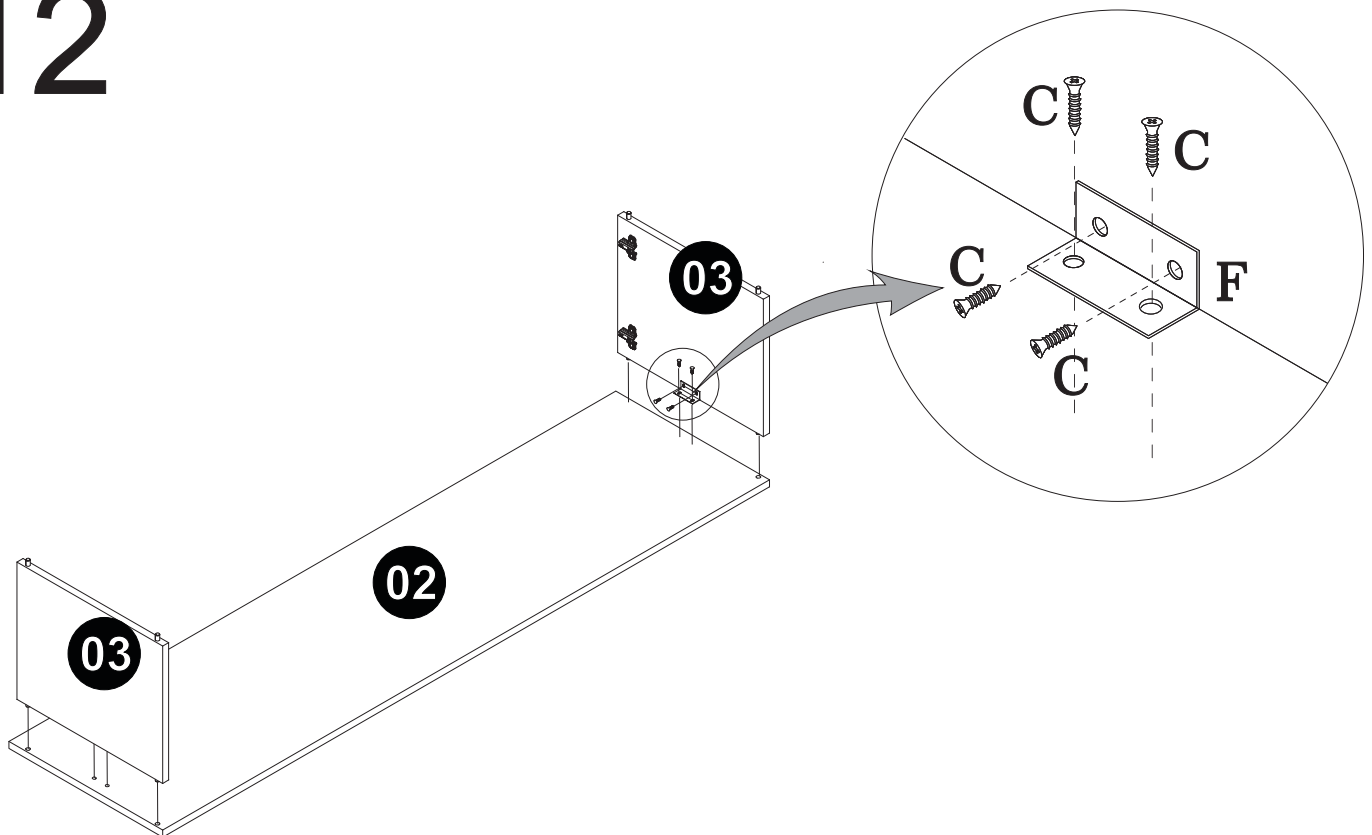
10



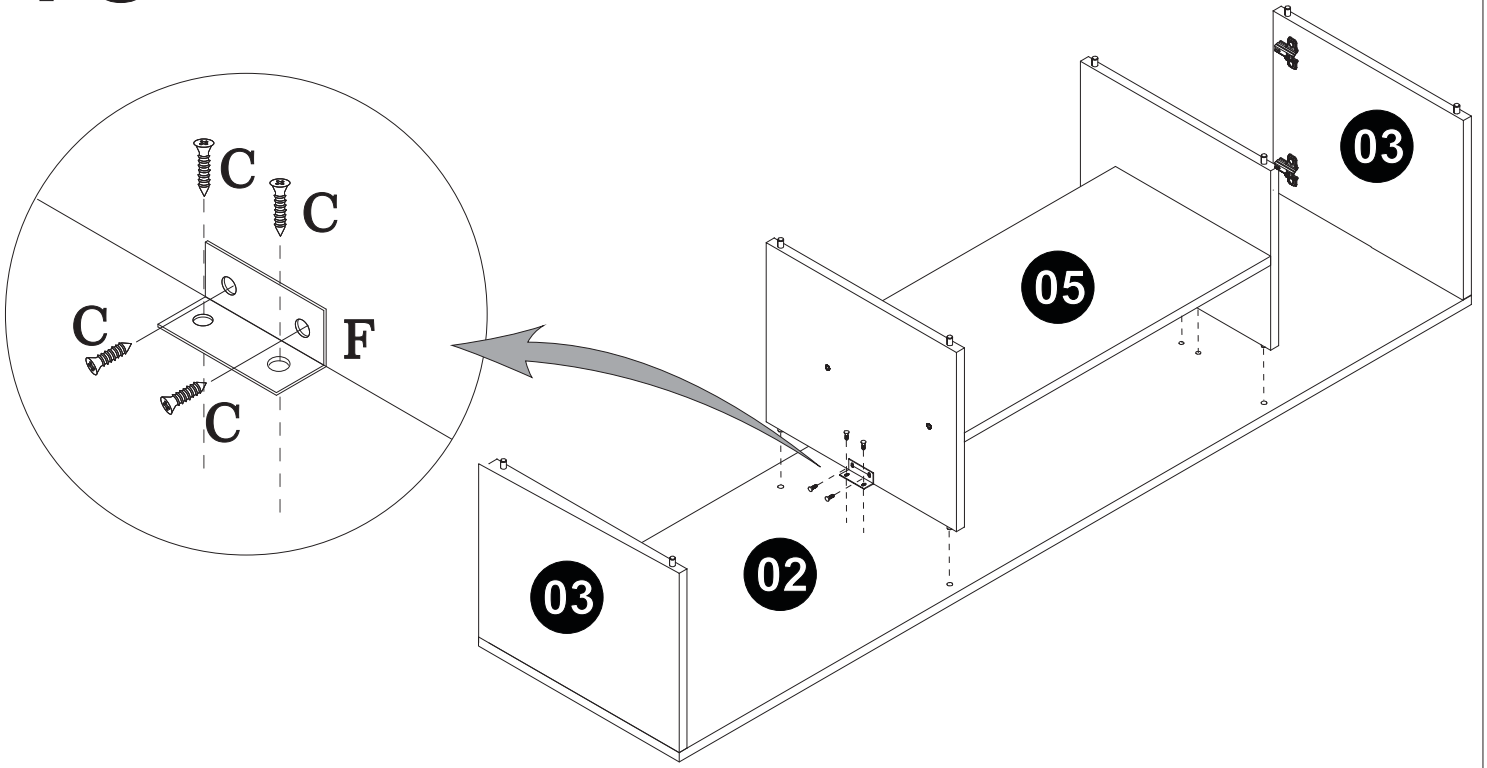
11



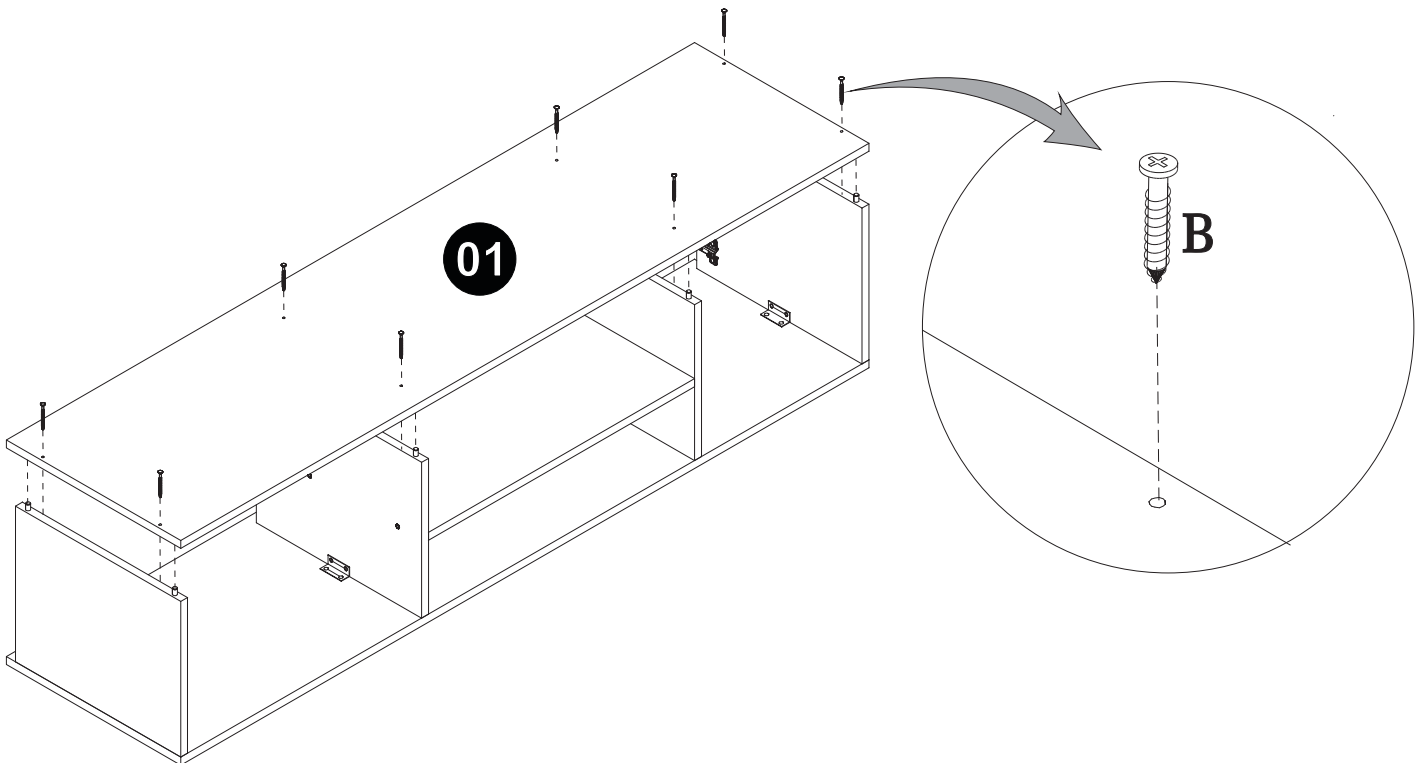
12



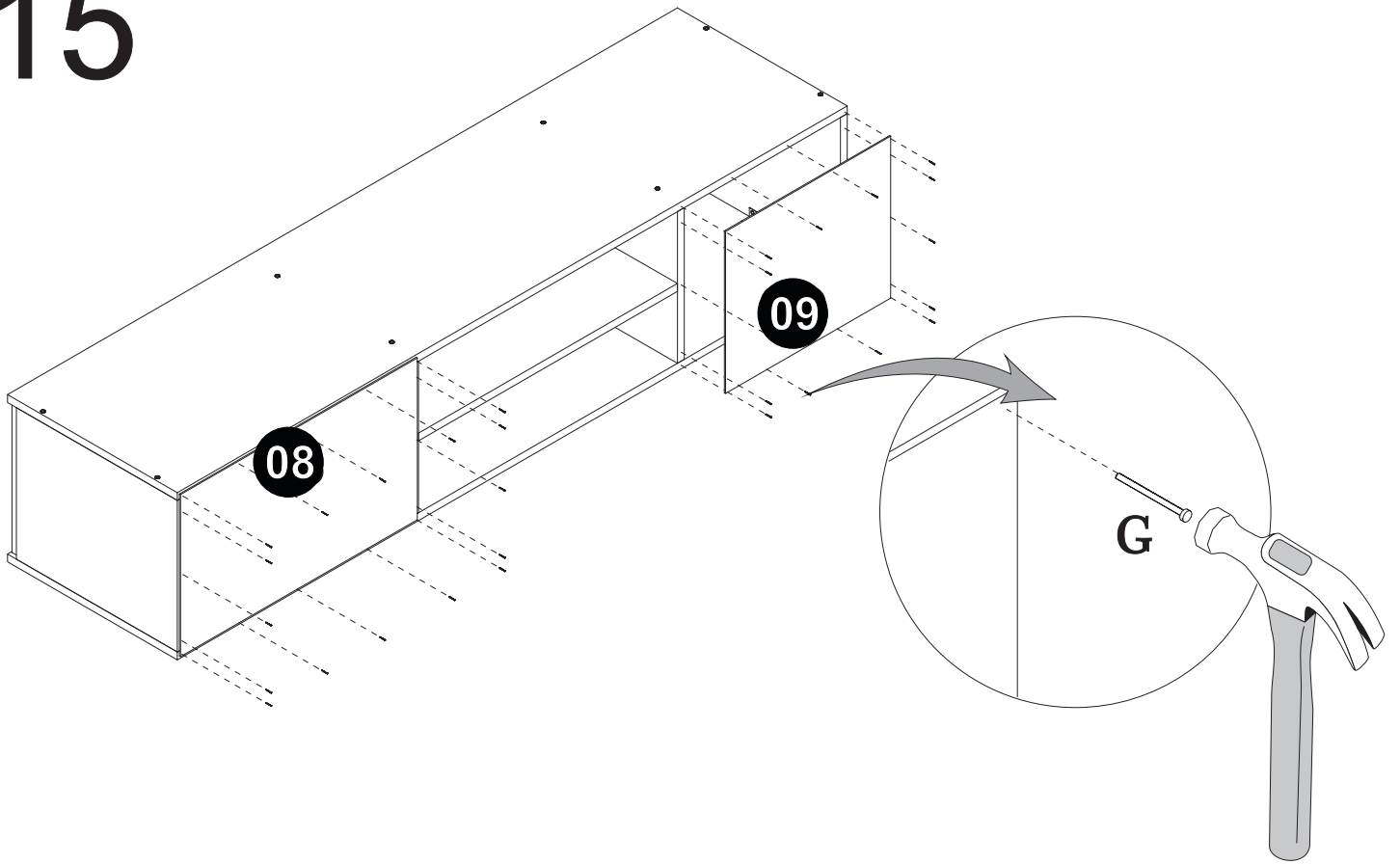
13



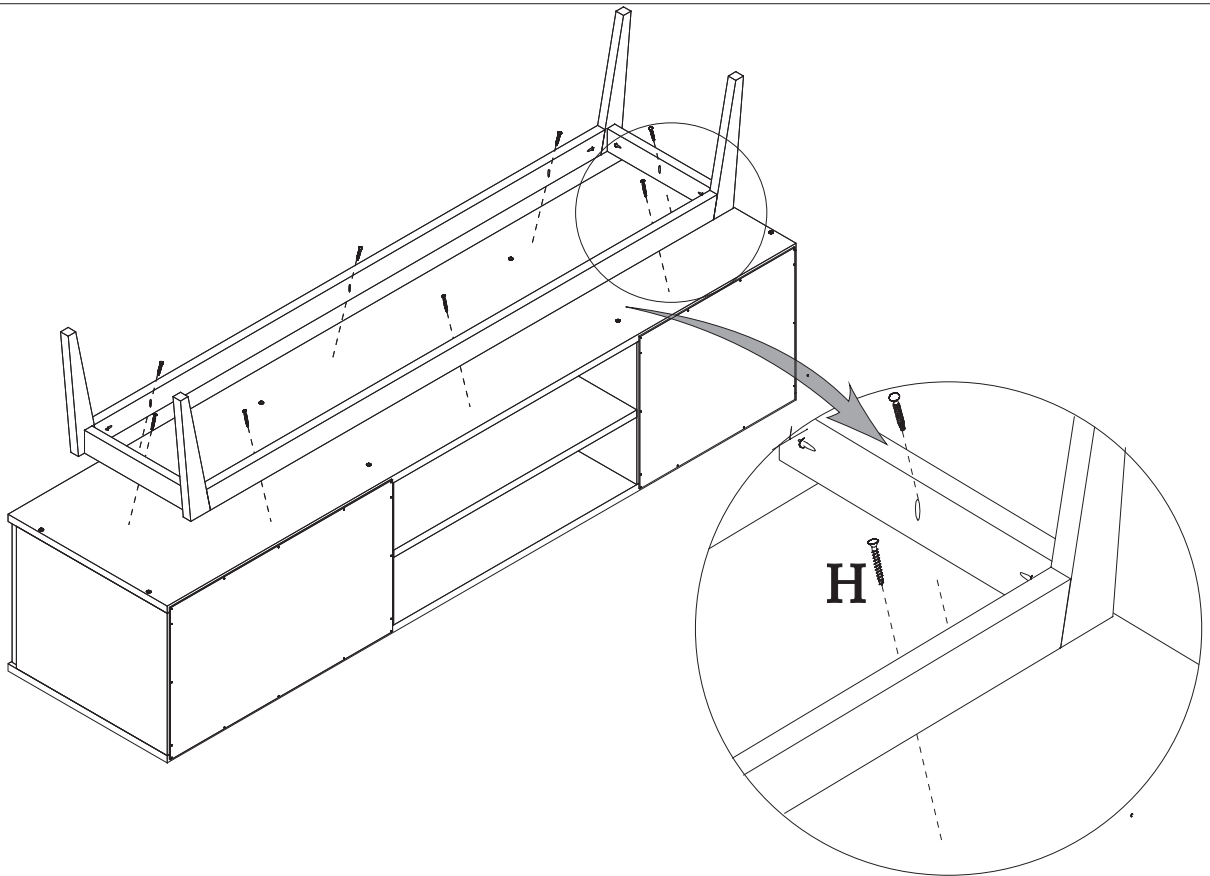
14



15

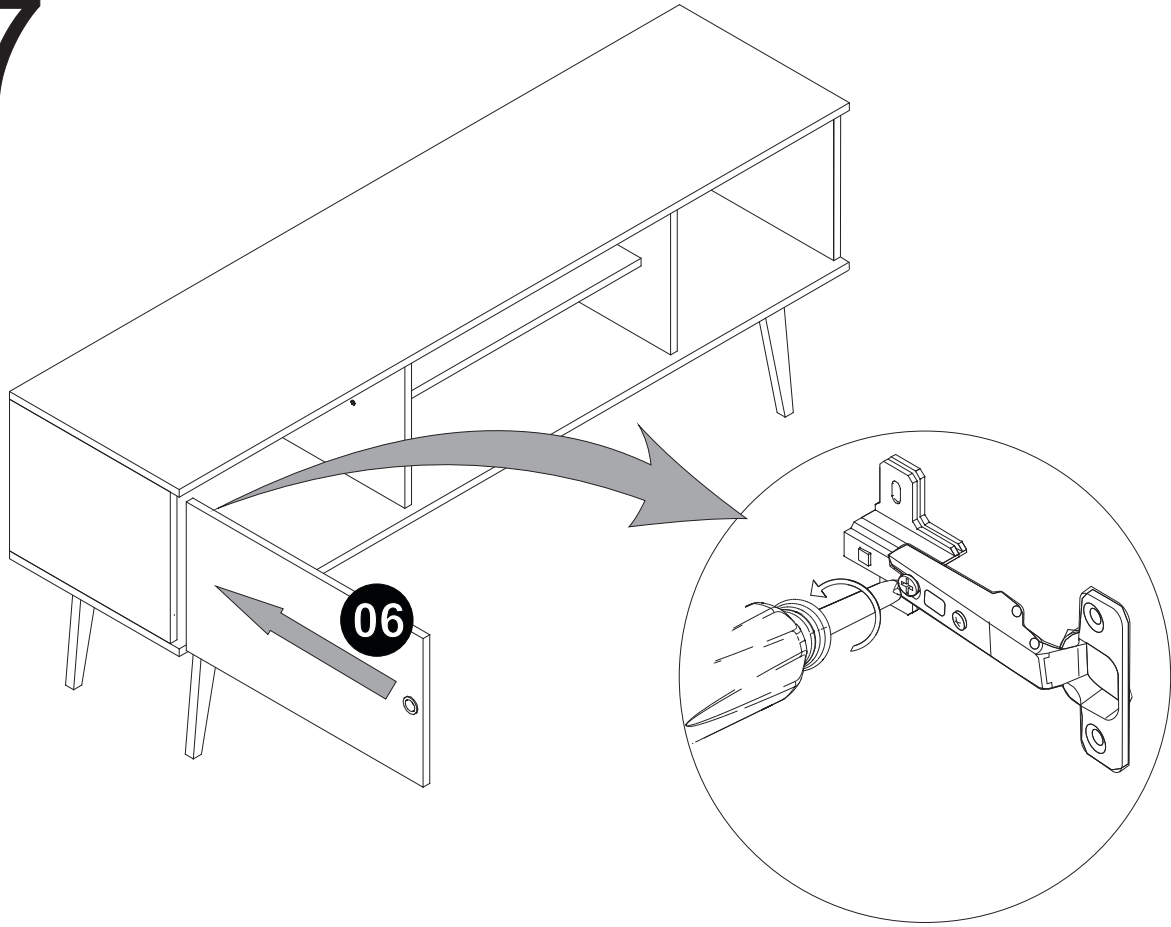


16

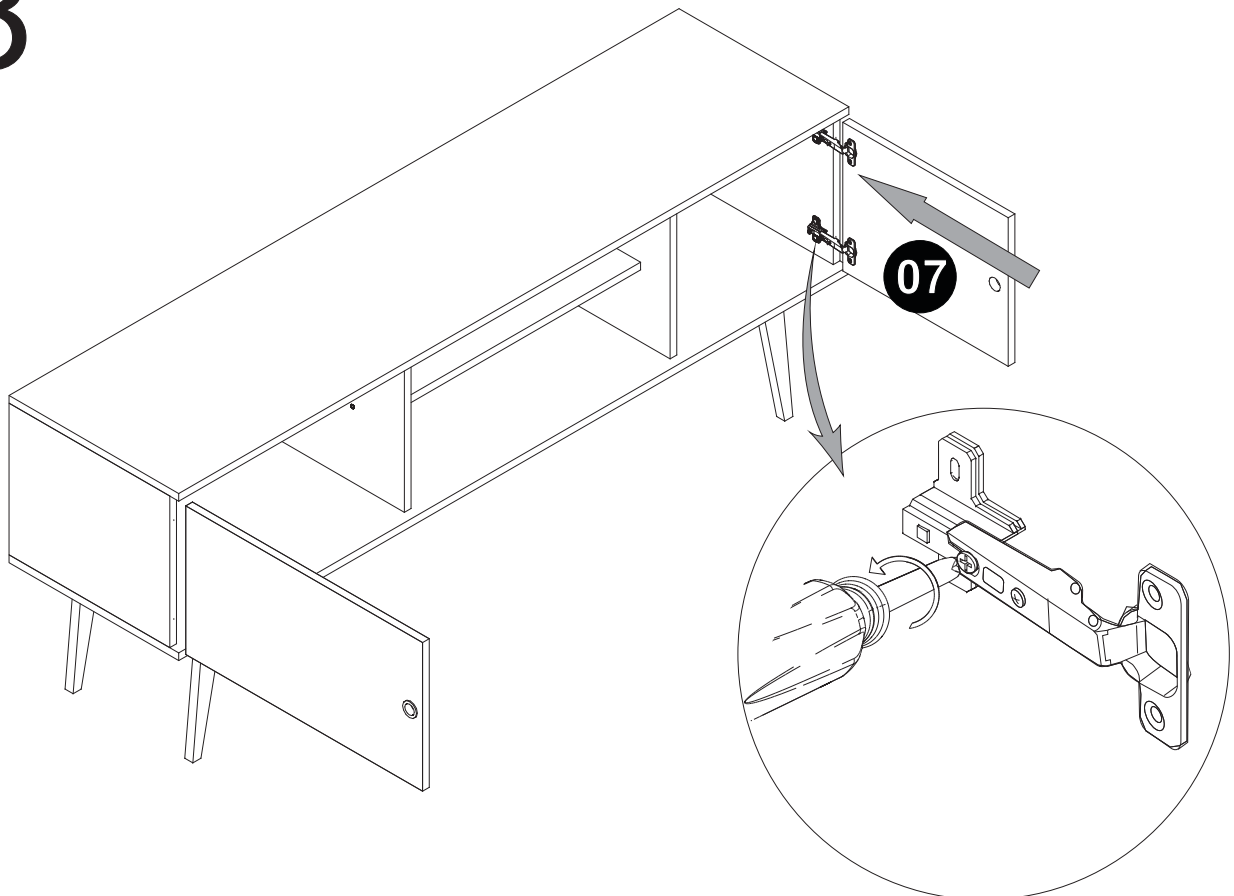


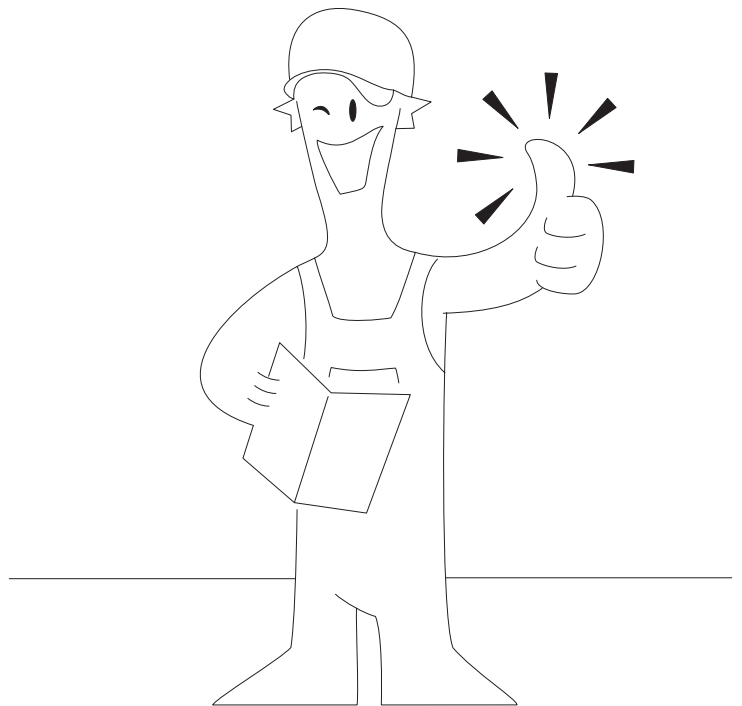
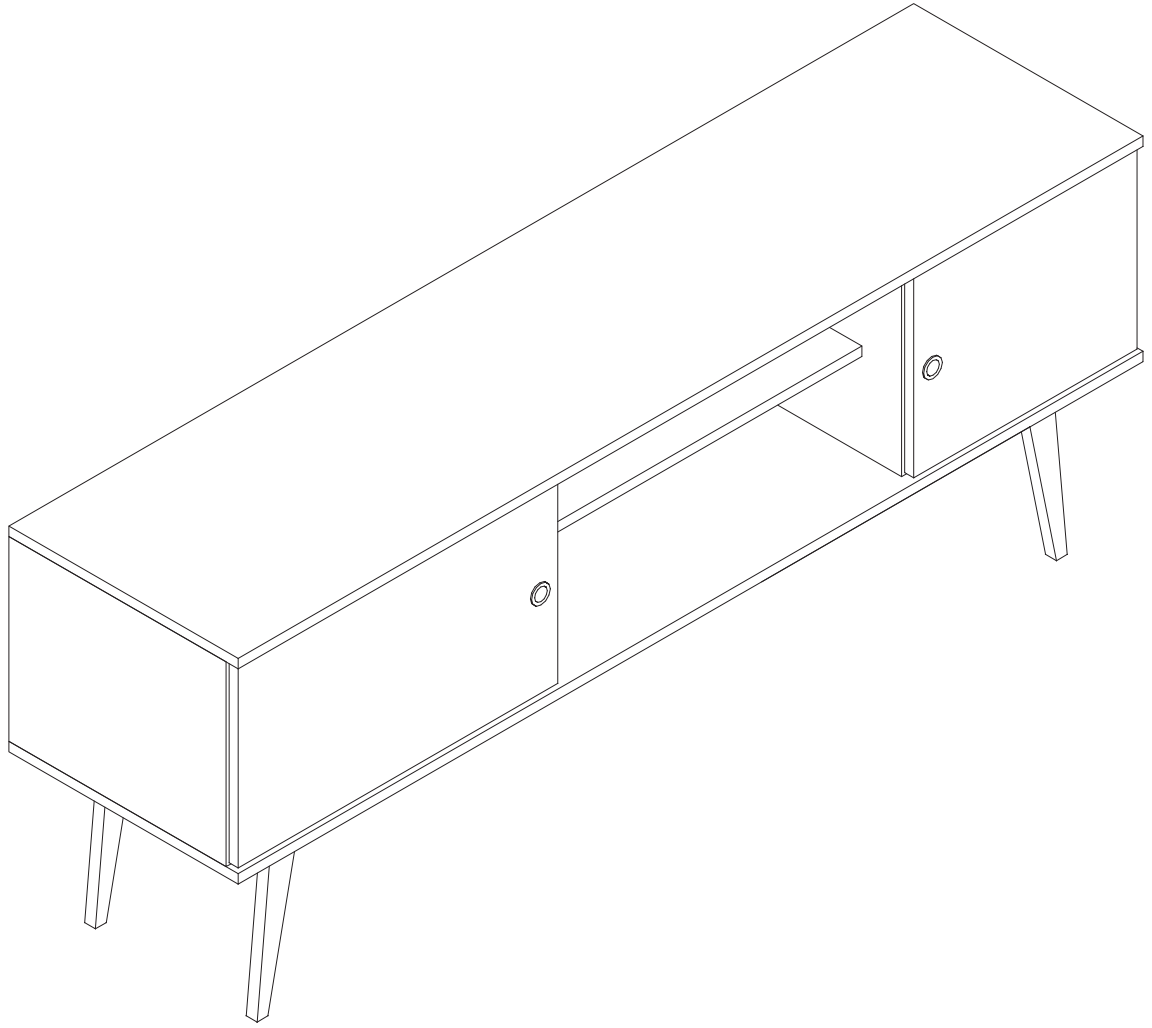
Center the foot on the base.

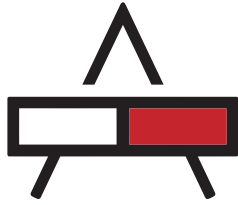
17



18







ACCENTUATIONS

by MANHATTAN COMFORT