

ACCENTUATIONS

by MANHATTAN COMFORT



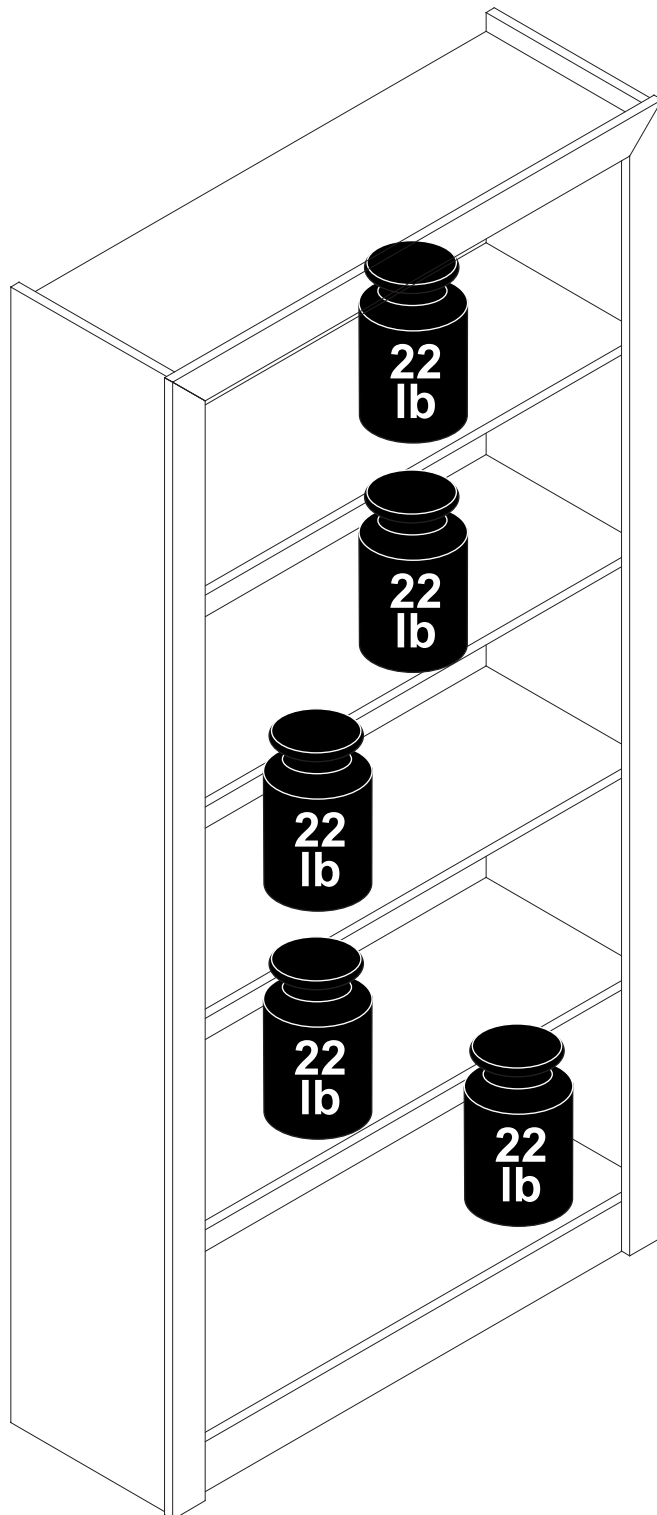
Olinda Bookcase 1.0

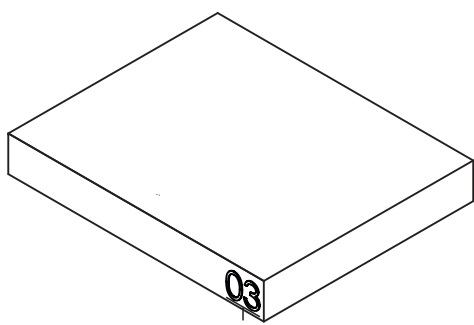
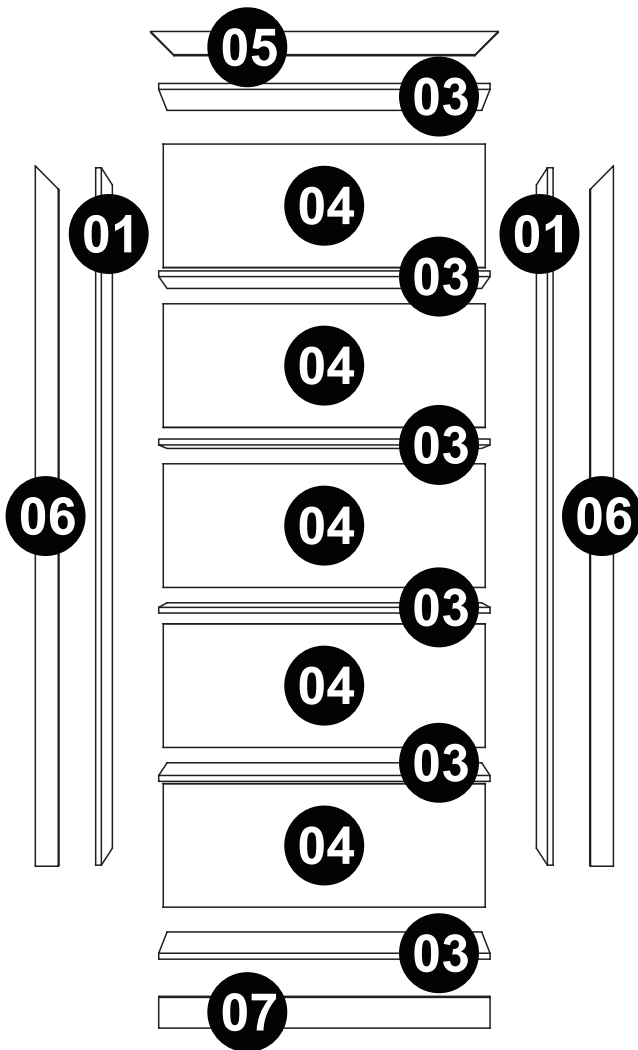
Model: 27AMC6, 27AMC49

Stuck?! Need Help?! help@manhattancomfort.com 888-230-2225

Dimensions:

W:36,70" H:73,00" D:12,20"


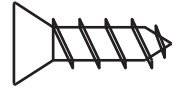

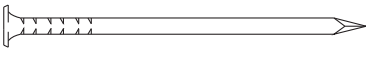
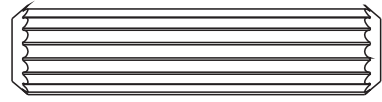

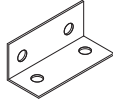



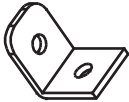

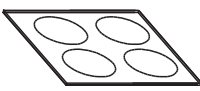


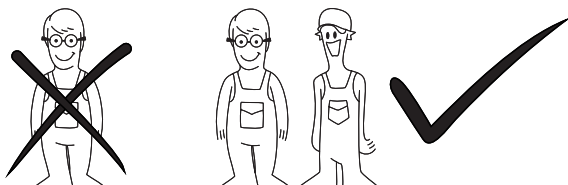
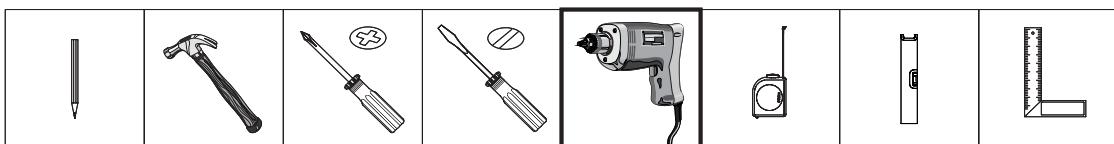


**USE ALCOHOL TO
REMOVE PART
NUMBERS**

PART	DESCRIPTION	QTY.
01	Right side	02
03	Shelf	06
04	Back	05
05	Longer detail	01
06	Lower detail	02
07	Footer	01

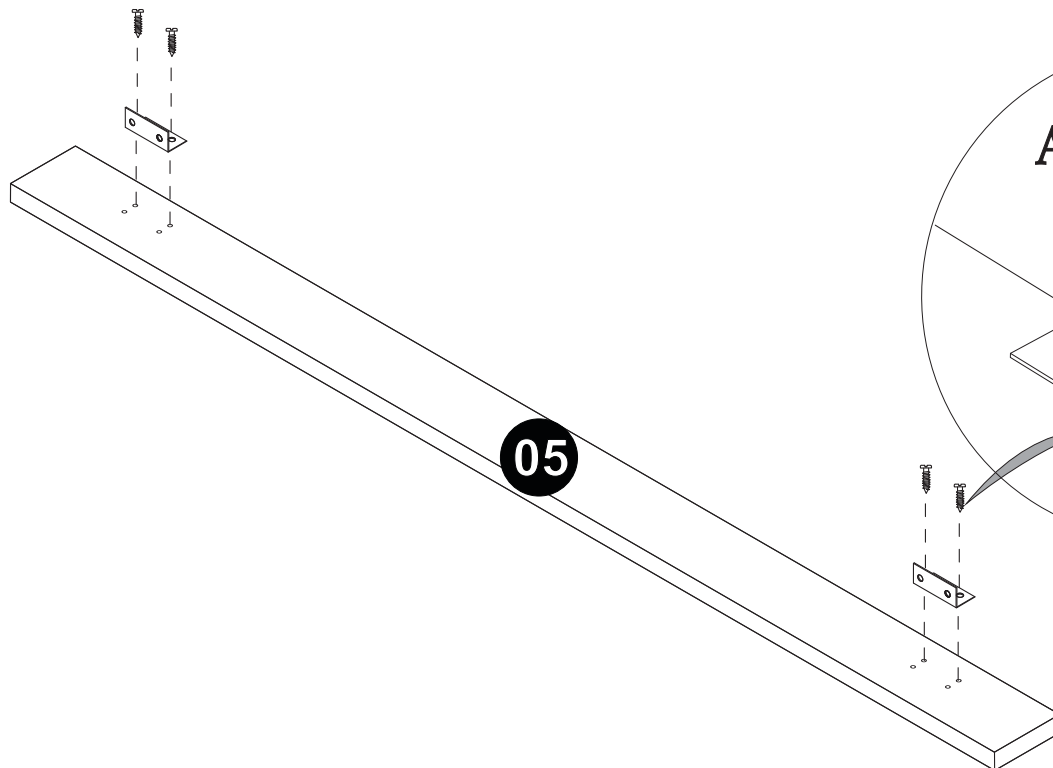
HARDWARE PARTS

PHOTO		CODE	QTY.
 	A	EF 000106	46
	B	EF 000266	24
	C	EF 000168	90
	D	EF 000033	24
	E	ROUND FEET	04
	F	EF 000061	11
	G	EF 000490	01
 	H	EF 000132	26
	I	EF 000265	02
	J	EF 000267	20
	K	STICKER	24

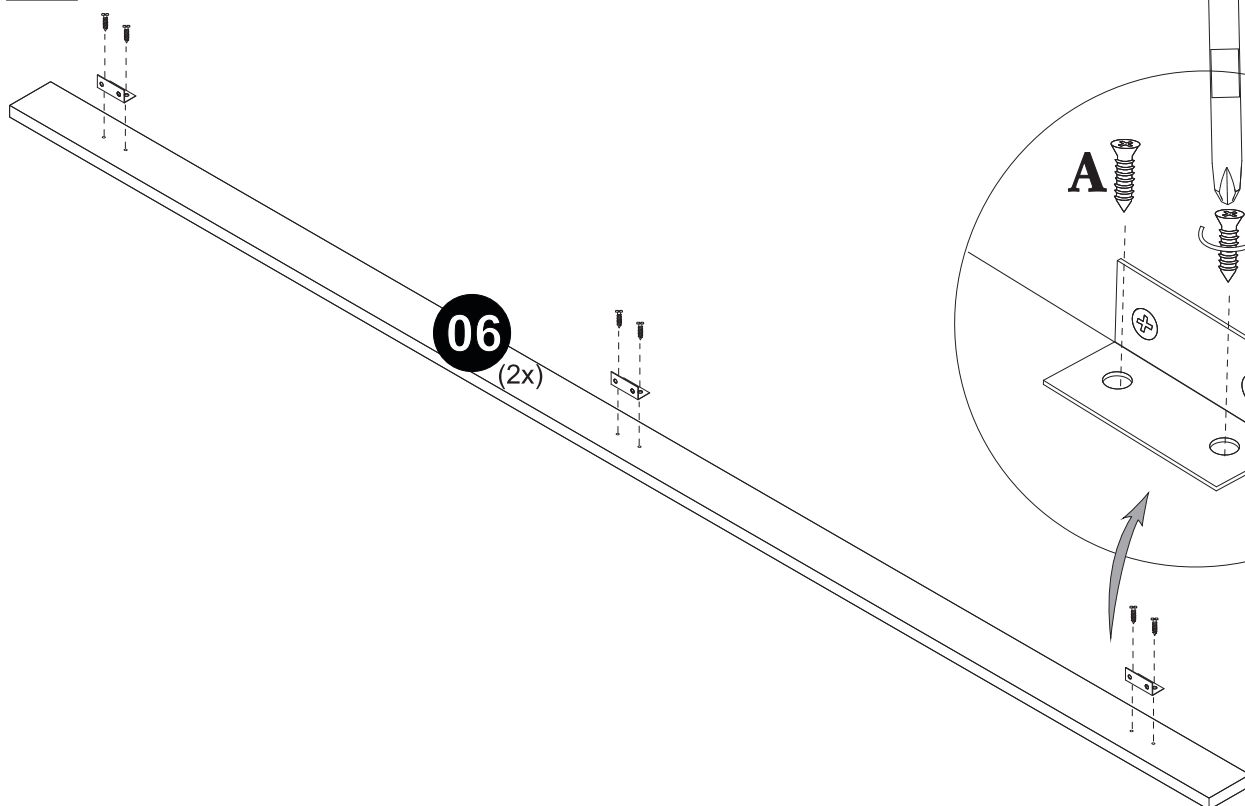


TO IMPROVE ASSEMBLY, USE AN ELECTRONIC SCREWDRIVER

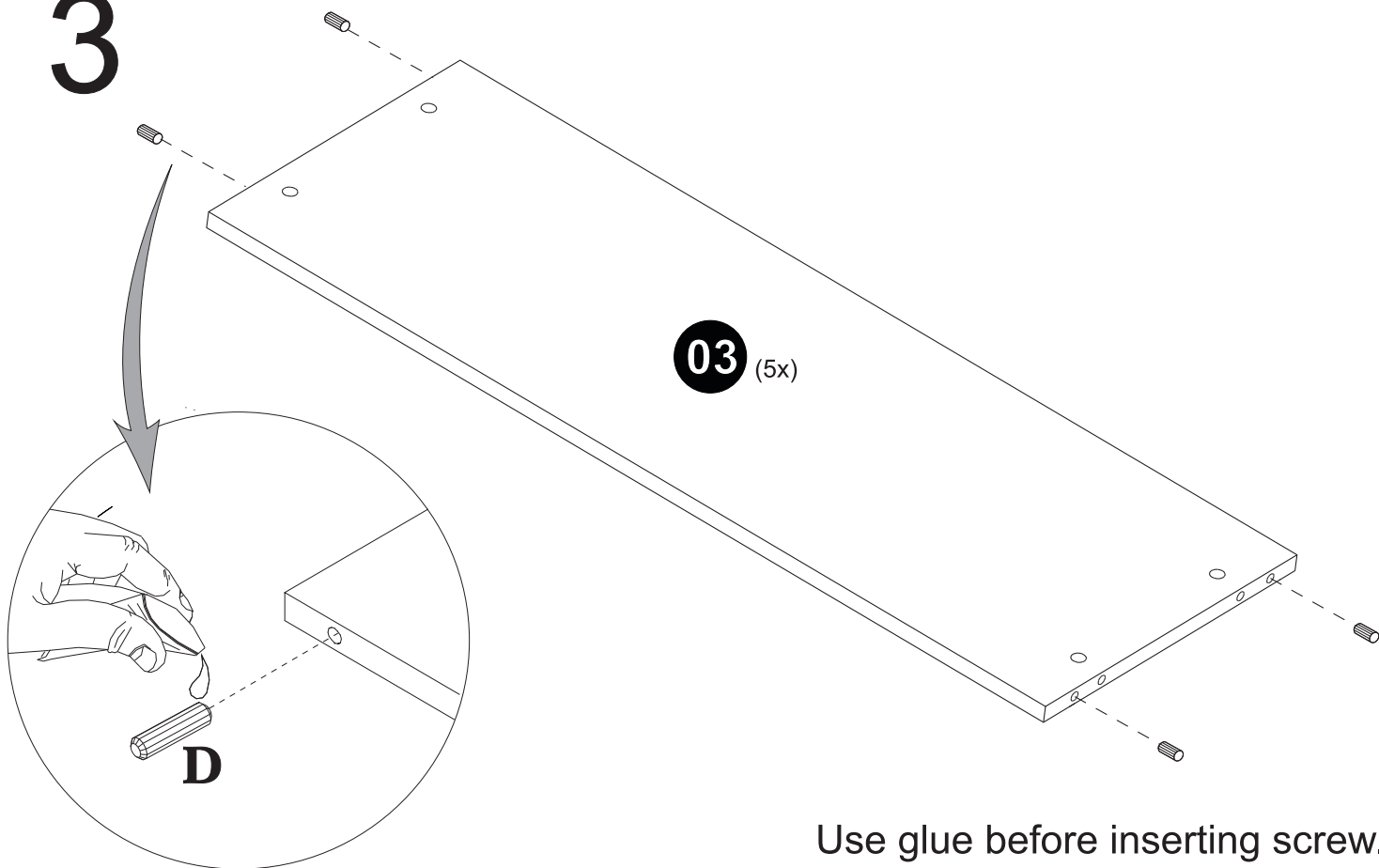
1



2

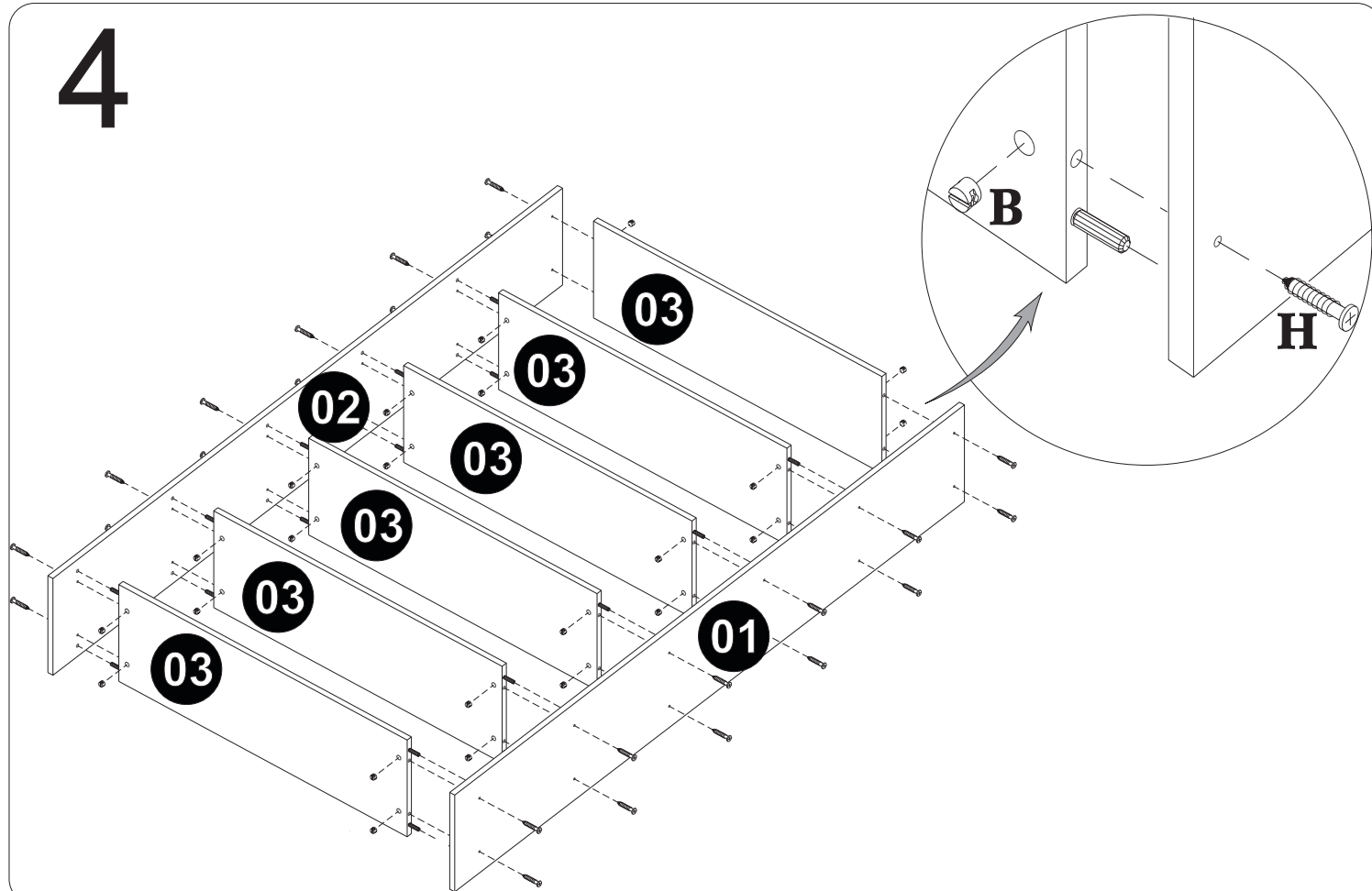


3

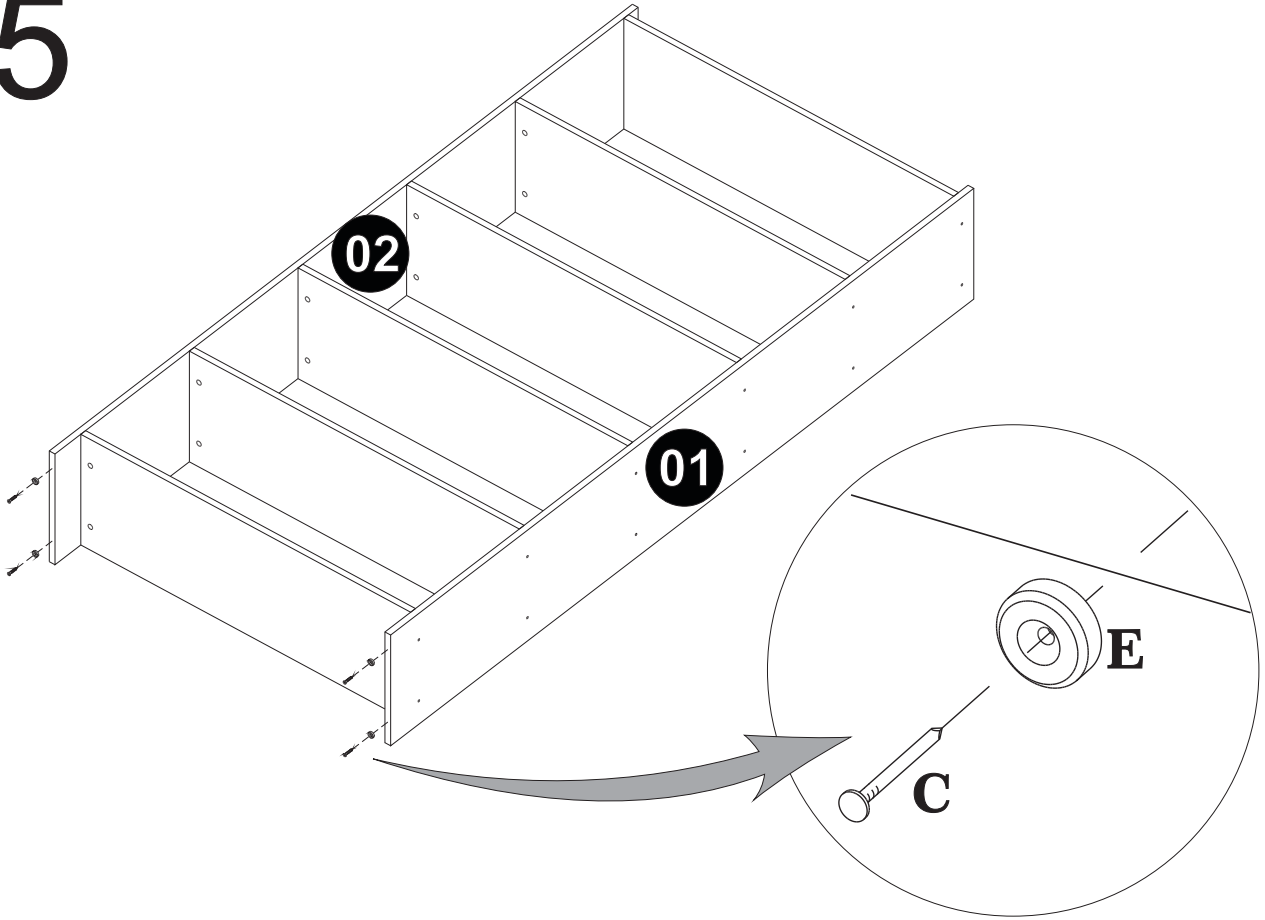


Use glue before inserting screw.

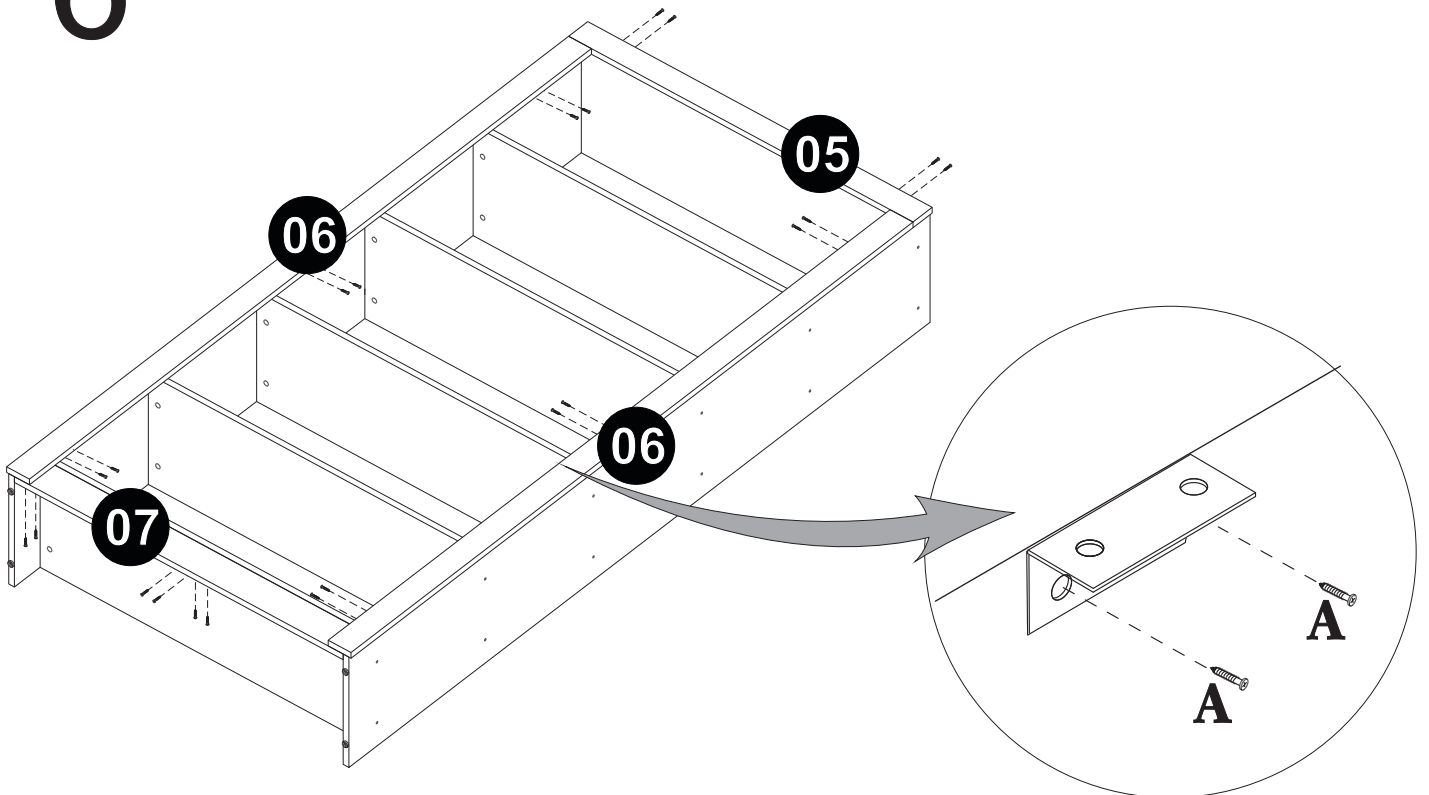
4



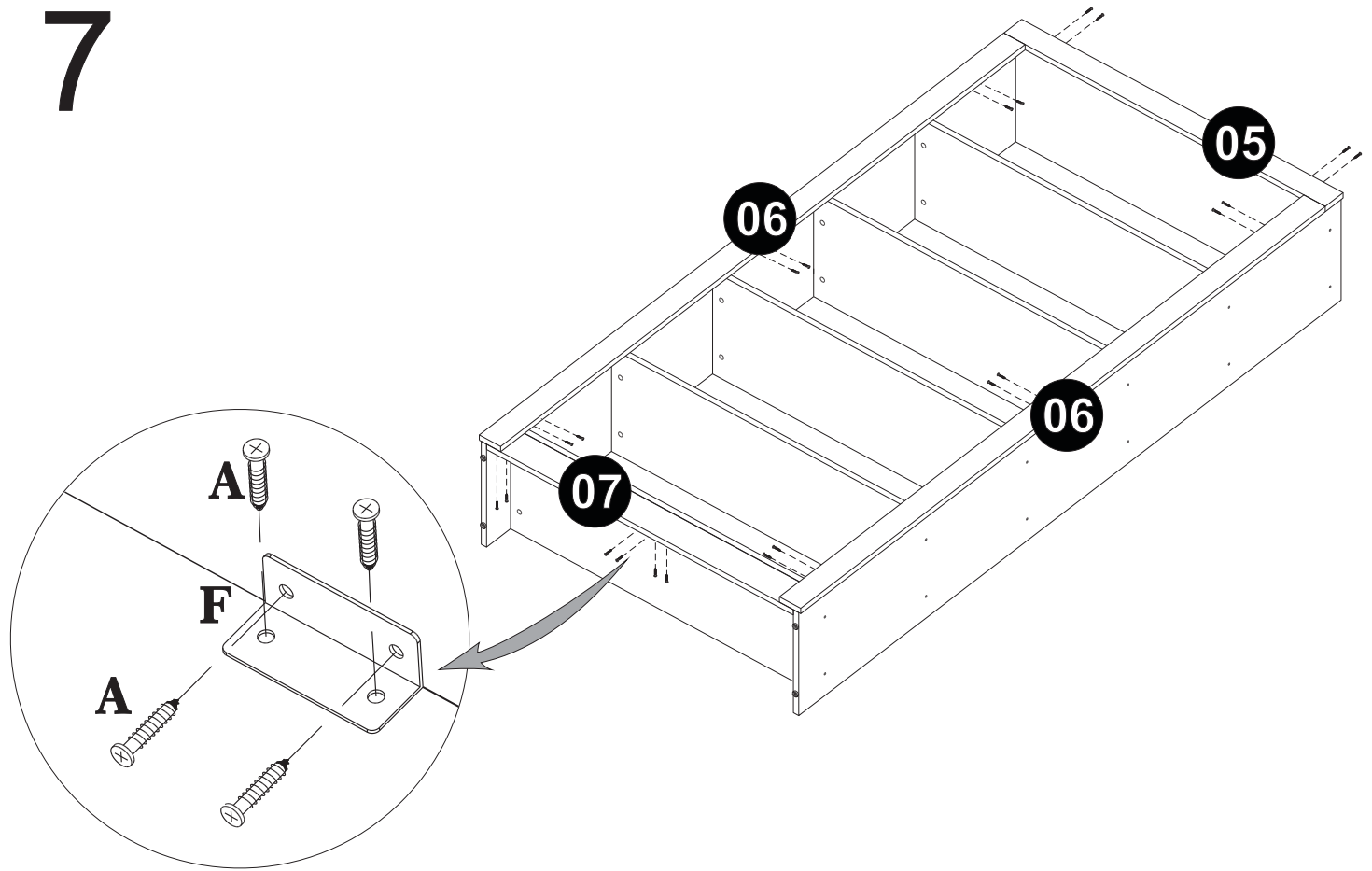
5



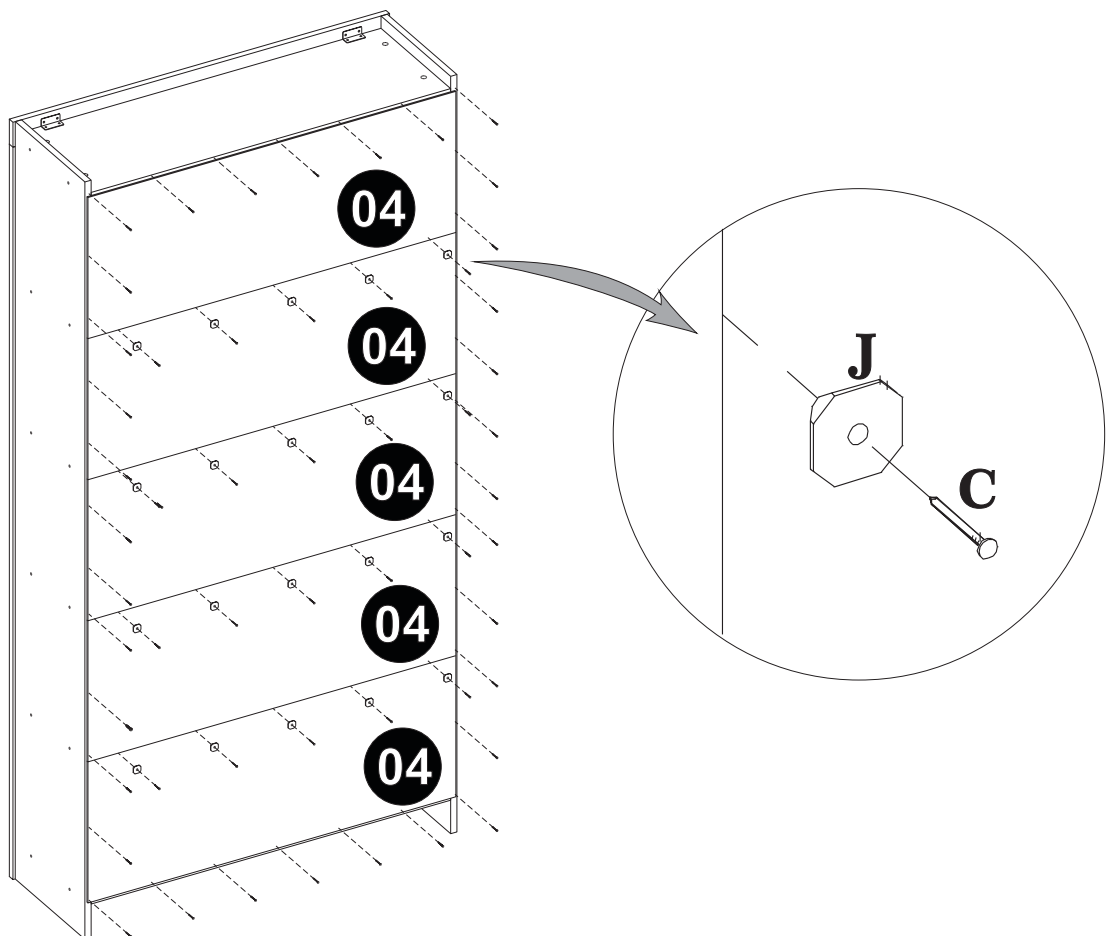
6



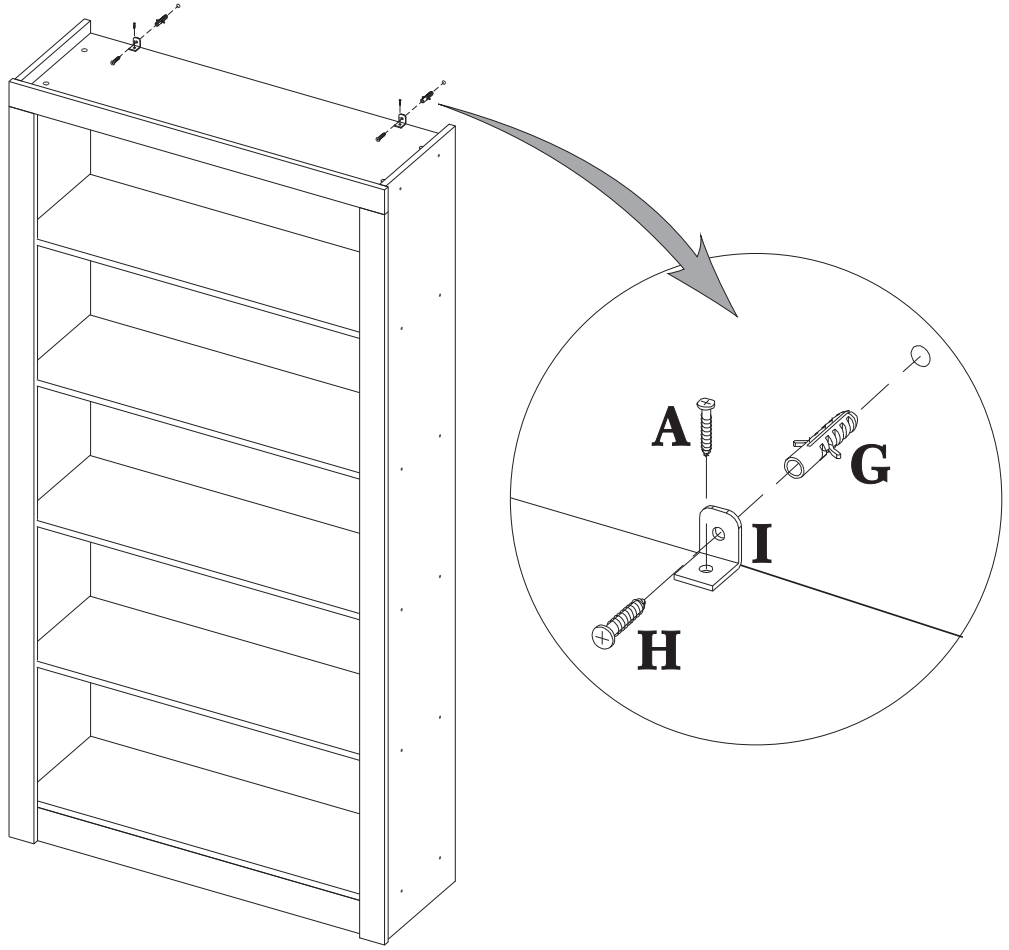
7



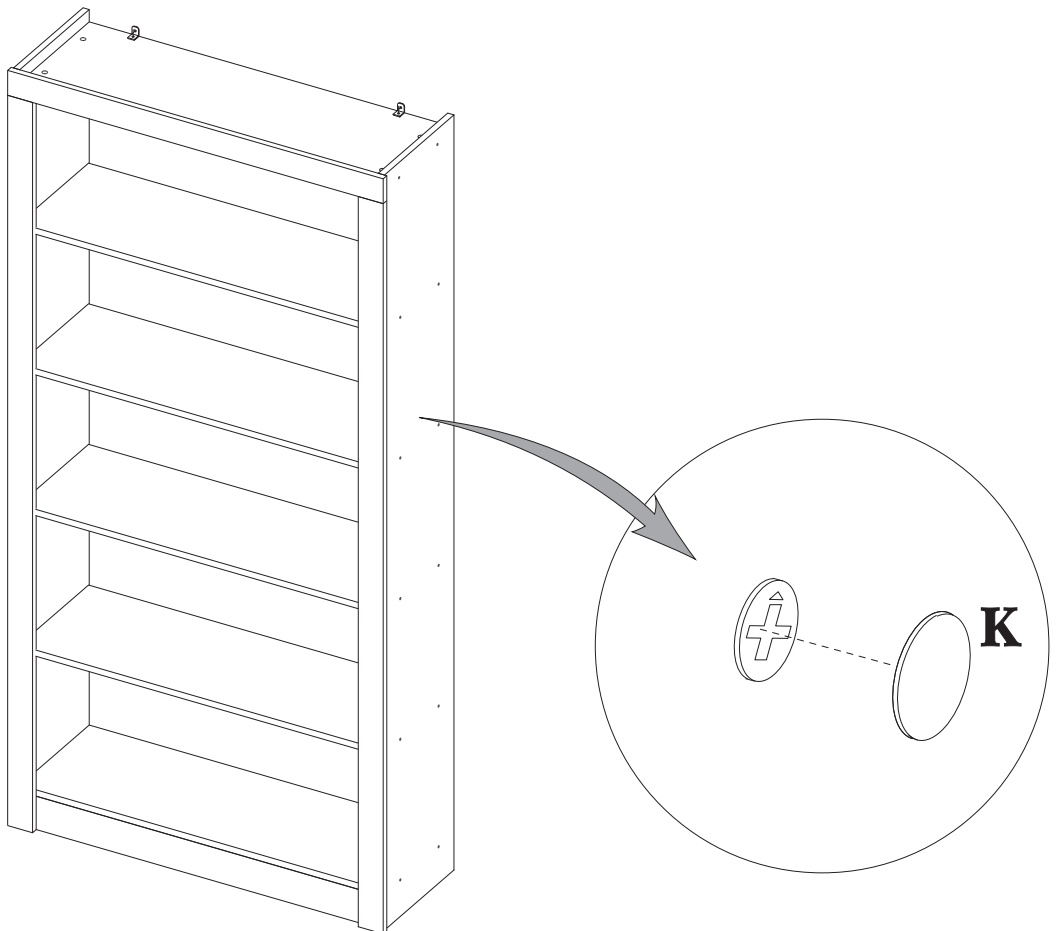
8

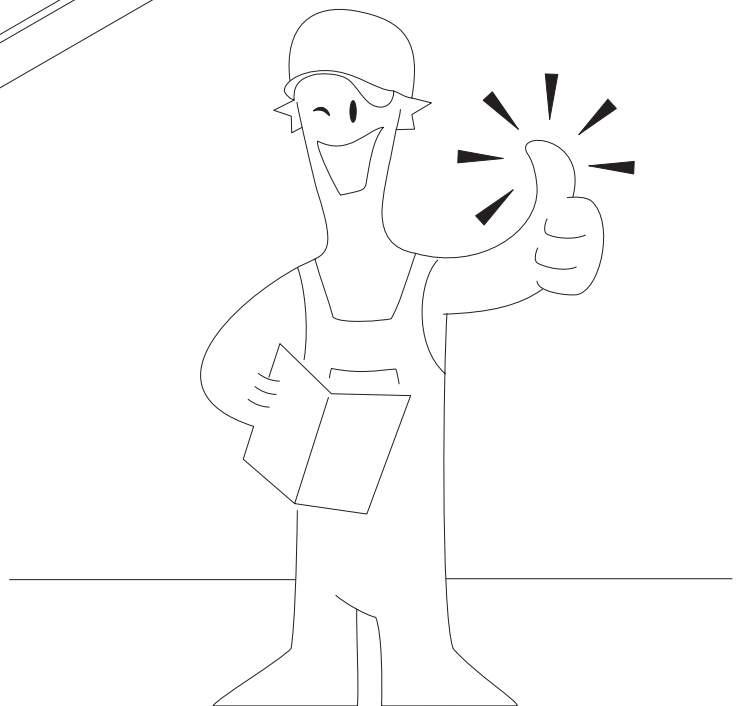
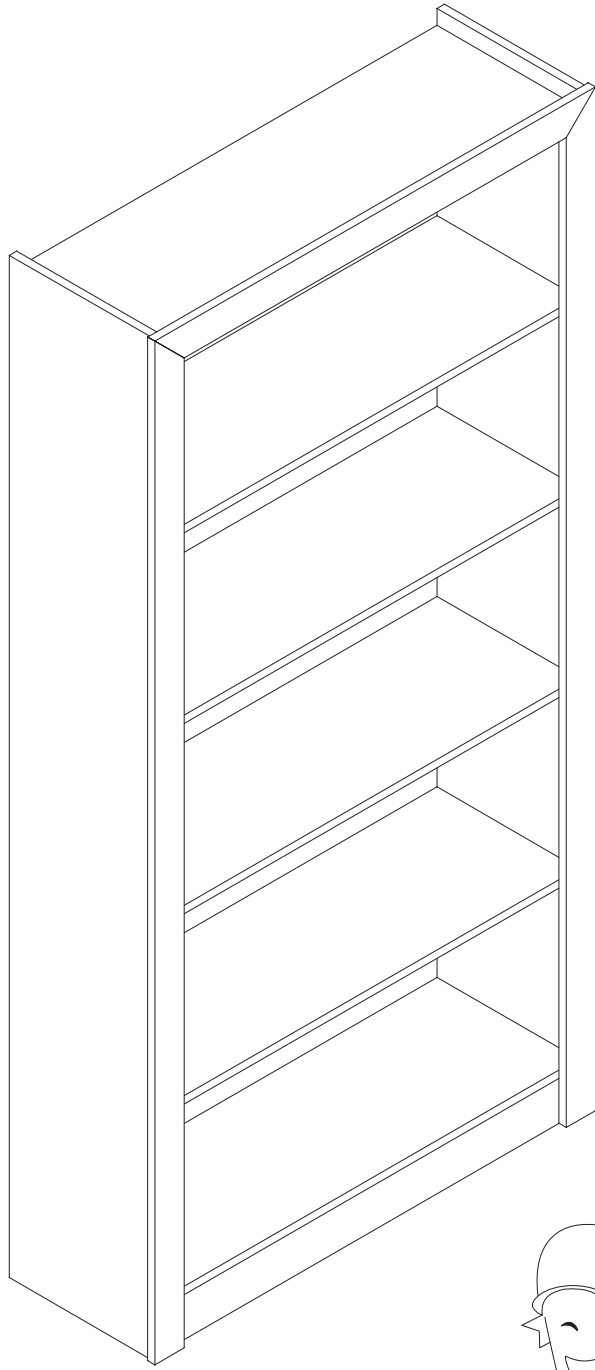


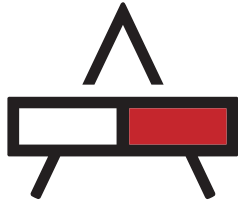
9



10







ACCENTUATIONS

by MANHATTAN COMFORT